

HINGE TYPE OFFSET DISK HARROW

GNM 48/52/56/60D - PA

Code: 0501092647
Series: S-0618
Revision: 00
Date Revision: FEVEREIRO/2020

PARTS CATALOGUE



MARCHESAN



PRODUCTS

Code	Description
0102120333	GNM 48 X 20 X 3,50 DM MT PA S-0618
0102120334	GNM 48 X 20 X 4,50 DM MT PA S-0618
0102120335	GNM 48 X 22 X 3,50 DM MT PA S-0618
0102120336	GNM 48 X 22 X 4,50 DM MT PA S-0618
0102120337	GNM 48 X 24 X 4,50 DM MT PA S-0618
0102120326	GNM 52 X 20 X 3,50 DM MT PA S-0618
0102120327	GNM 52 X 20 X 4,50 DM MT PA S-0618
0102120328	GNM 52 X 22 X 3,50 DM MT PA S-0618
0102120329	GNM 52 X 22 X 4,50 DM MT PA S-0618
0102120330	GNM 52 X 24 X 4,50 DM MT PA S-0618
0102120320	GNM 56 X 20 X 3,50 DM MT PA S-0618
0102120321	GNM 56 X 20 X 4,50 DM MT PA S-0618
0102120322	GNM 56 X 22 X 3,50 DM MT PA S-0618
0102120323	GNM 56 X 22 X 4,50 DM MT PA S-0618
0102120324	GNM 56 X 24 X 4,50 DM MT PA S-0618
0102120315	GNM 60 X 20 X 3,50 DM MT PA S-0618
0102120316	GNM 60 X 20 X 4,50 DM MT PA S-0618
0102120317	GNM 60 X 22 X 3,50 DM MT PA S-0618
0102120318	GNM 60 X 22 X 4,50 DM MT PA S-0618
0102120319	GNM 60 X 24 X 4,50 DM MT PA S-0618

ATTENTION: IMPORTANT

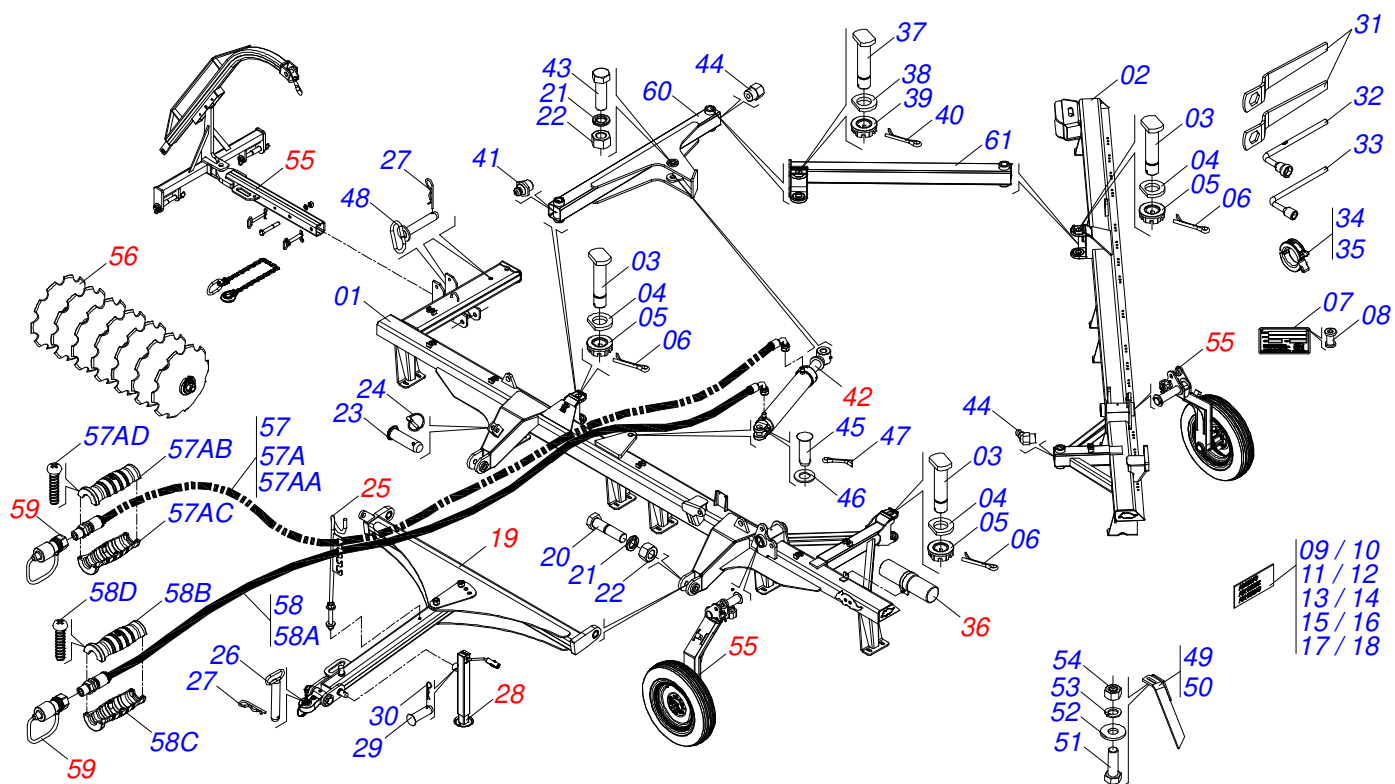
Marchesan S.A. reserves the right to improve and/or modify the technical features of its products, without obligation to do the same with those products already sold and without prior knowledge of the dealer or the customer. The photos are only illustrative.



MARCHESAN

INDEX

0909098777	GNM 48/52/56/60D WITH PA	1
0521049348	ASSY HEADER	2
0521042319	ASSY HEADER	3
0521048502	ASSY TRACTION BAR	4
0521053943	HITCH WITH ASSY ROTULA SUPPORT	5
0501040257	ASSY 3/4 X 38 HOSE SUPPORT	6
0503062157	DRAWBAR JACK	7
0531053874	MANUAL DOOR SET	8
0511058461	HYDRAULIC CYLINDER	9
0909098778	COMPLETE MECHANICAL LIFTING ASSY	10
0501053527	DRAWBAR WITH HITCH SUPPORT	11
0521042072	ASSY FRAME	12
0503060094	WHEEL AND TIRE ASSY	13
0503060091	L29.5"X0.63"-10L WHEEL AND	14
0521048125	WHEELS ASSY	15
0521052217	ASSY WHEEL CUBE	16
0501051142	CARRYING WHEEL HUB	17
0909098779	48D - DISC SECTION	18
0909098780	52D - DISC SECTION	19
0909098781	56D - DISC SECTION	20
0909098782	60D - DISC SECTION	21
0501047055	BEARING	22
0501053834	MALE QUICK COUPLER	23

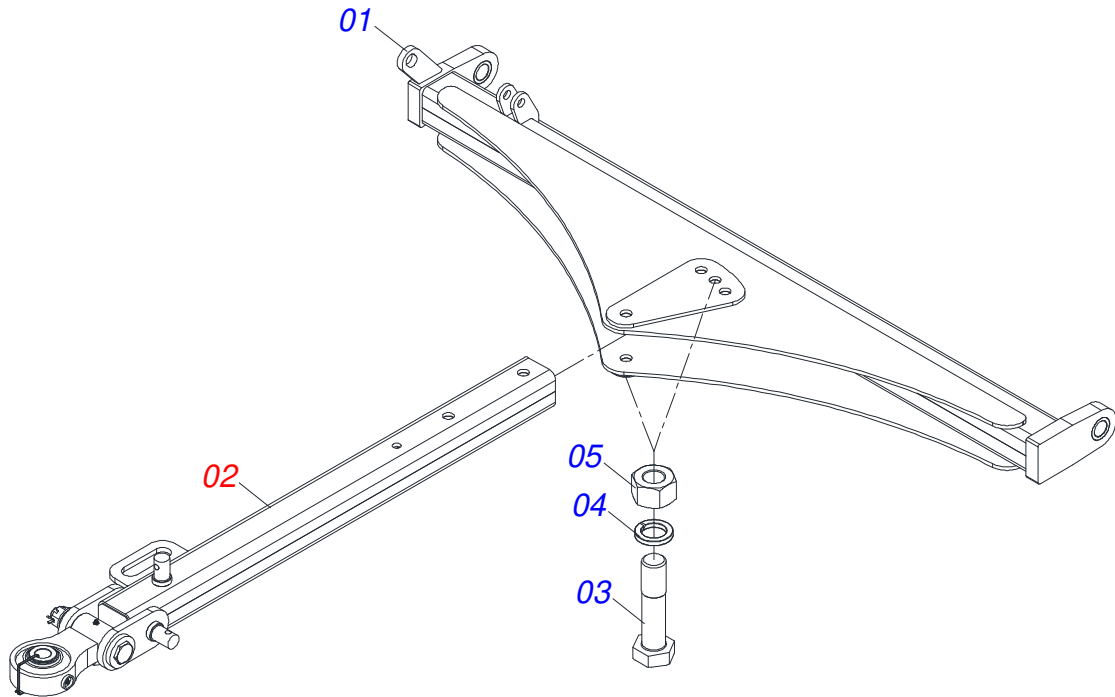


Item	Code	Description	See page	048	052	056	060
01	0521069252	FRONT FRAME		001	000	000	000
01.	0521069251	FRONT FRAME		000	001	000	000
01..	0521069245	FRONT FRAME		000	000	001	000
01...	0521069240	FRONT FRAME		000	000	000	001
02	0521069307	REAR FRAME		001	000	000	000
02.	0521069250	REAR FRAME		000	001	000	000
02..	0521069244	REAR FRAME		000	000	001	000
02...	0521069241	REAR FRAME		000	000	000	001
03	0531019497	1.5" X 9.2" ARTICULATED AXIS		003	003	003	003
04	0531019540	FLAT WASHER		003	003	003	003
05	0501011301	1.1/2 UNC 6FPP 2.5/16 NUT		003	003	003	003
06	0503010010	1/4" X 2.1/2" SPLIT PIN		003	003	003	003
07	0503034003	61 X 118 SERIAL NUMBER TAG		001	001	001	001
08	0503010001	3.2 X 5.5 RIVET		004	004	004	004
09	0503031739	ADHESIVE LABEL		001	001	001	001
10	0503034438	ADHESIVE LABEL		001	001	001	001
11	0503033038	DANGER SIGN		001	001	001	001
12	0503034078	LIFTING POINTS DECAL		004	004	004	004
13	0503034499	HOSE IDENTIFICATION DECAL		001	001	001	001
14	0503031827	LUBRICATE AND RETIGHTEN DAILY DECAL		001	001	001	001
15	0503031087	AUTO CONTROL APPROVED DECAL		001	001	001	001
16	0503031428	READ MANUAL DECAL		001	001	001	001
17	0503034569	ADHESIVE LABEL		002	002	002	002
18	0503034022	ADHESIVE LABEL LOGO TATU 60X80		002	002	002	002
19	0521049348	ASSY HEADER	2	001	000	000	000
19.	0521042319	ASSY HEADER	3	000	001	001	001
20	0501010426	1-1/4" X 6" SCREW		002	002	002	002
21	0503010070	SPRING WASHER		003	003	003	003
22	0501010087	1.1/4" NUT		003	003	003	003
23	0501019002	JUNCTION SHAFT		001	001	001	001
24	0503030085	LOCK PIN		001	001	001	001

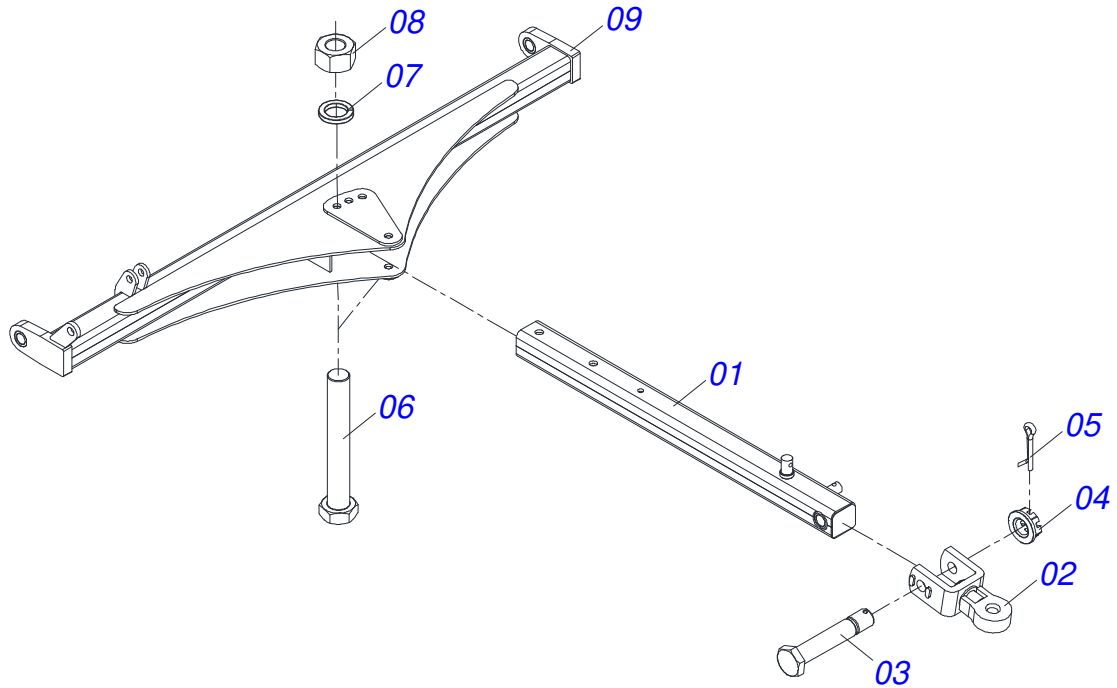


GNM 48/52/56/60D - PA
GNM 48/52/56/60D WITH PA

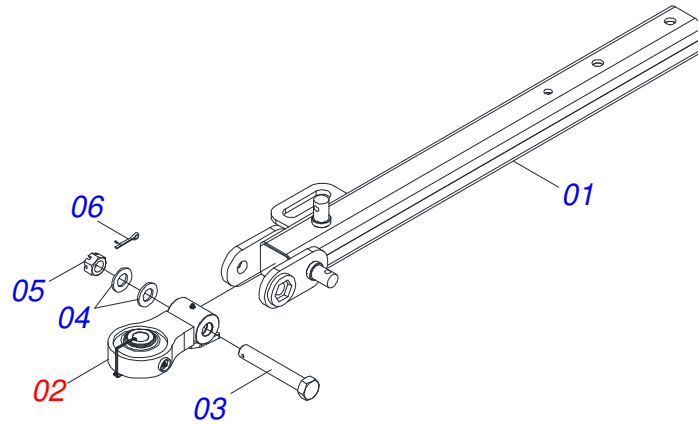
Item	Code	Description	See page	048	052	056	060
25	0501040257	ASSY 3/4 X 38 HOSE SUPPORT	6	001	001	001	001
26	0501069080	COUPLING SHAFT		001	001	001	001
27	0503031035	HITCH PIN CLIP		003	003	003	003
28	0503062157	DRAWBAR JACK	7	001	001	001	001
29	0521010549	COUPLING SHAFT		001	001	001	001
30	0503030168	HITCH PIN CLIP		001	001	001	001
31	0501011432	1-1/2" AND 1-5/8 GANG BOLT WRENCH		002	002	002	002
32	0501061617	1" GANG BOLT WRENCH		001	001	001	001
33	0501068273	5/8" WRENCH		001	001	001	001
34	0501047895	25 ROD STOP		006	006	006	006
35	0501047885	30 ROD STOP		004	004	004	004
36	0521054776	ASSY MANUAL DOOR		001	001	001	001
37	0531019497	1.5" X 9.2" ARTICULATED AXIS		001	001	001	001
38	0531019540	FLAT WASHER		001	001	001	001
39	0501011301	1.1/2 UNC 6FPP 2.5/16 NUT		001	001	001	001
40	0503010010	1/4" X 2.1/2" SPLIT PIN		001	001	001	001
41	0503010002	1800 GREASE FITTING		002	002	002	002
42	0511058461	HYDRAULIC CYLINDER	9	001	001	001	001
43	0501011106	1-1/4" X 7" SCREW		001	001	001	001
44	0503010003	1845 GREASE FITTING		002	002	002	002
45	0521010779	31.75 X 95 COUPLING SHAFT		001	001	001	001
46	0501017779	32 X 60 X 4.75 FLAT WASHER		001	001	001	001
47	0503010523	1/4" X 2" SPLIT PIN		001	001	001	001
48	0521067644	JUNCTION SHAFT		002	002	002	002
49	0501063963	FRONT SCRAPER		017	019	021	023
50	0501063962	REAR SCRAPER		017	019	021	023
51	0503011082	C1/2" X 1.3/4" SCREW		068	076	084	092
52	0511017302	FLAT WASHER 13,50 X 32,50 X 3,0 ZN		068	076	084	092
53	0503010019	1/2" SPRING WASHER		068	076	084	092
54	0503010060	1/2 UNC G.5 ZN HEX NUT		068	076	084	092
55	0909098778	COMPLETE MECHANICAL LIFTING ASSY	10	001	001	001	001
56	0909098779	48D - DISC SECTION	18	001	000	000	000
56.	0909098780	52D - DISC SECTION	19	000	001	000	000
56..	0909098781	56D - DISC SECTION	20	000	000	001	000
56...	0909098782	60D - DISC SECTION	21	000	000	000	001
57	0521053412	HOSE KIT		001	001	001	001
57A	0521053413	HOSE 3/8 X 4500 TC-TM PURPLE/RED		001	001	001	001
57AA	0501080362	3/8" X 177" TC-TM HOSE		001	001	001	001
57AB	0503034491	HYDRAULIC HOSE GRIP (PURPLE)		001	001	001	001
57AC	0503034495	HYDRAULIC HOSE GRIP (RED)		001	001	001	001
57AD	0503018952	PH 2,5 X 10 ZB PLASTIC BOLT		006	006	006	006
58	0521053414	HOSE 3/8 X 4500 TC-TM PURPLE/BLUE		001	001	001	001
58A	0501080362	3/8" X 177" TC-TM HOSE		001	001	001	001
58B	0503034491	HYDRAULIC HOSE GRIP (PURPLE)		001	001	001	001
58C	0503034494	HYDRAULIC HOSE GRIP (BLUE)		001	001	001	001
58D	0503018952	PH 2,5 X 10 ZB PLASTIC BOLT		006	006	006	006
59	0501053834	MALE QUICK COUPLER	23	002	002	002	002
60	0521068803	FRONT STABILIZER BAR		001	001	001	001
61	0521068804	REAR STABILIZER BAR		001	001	001	001



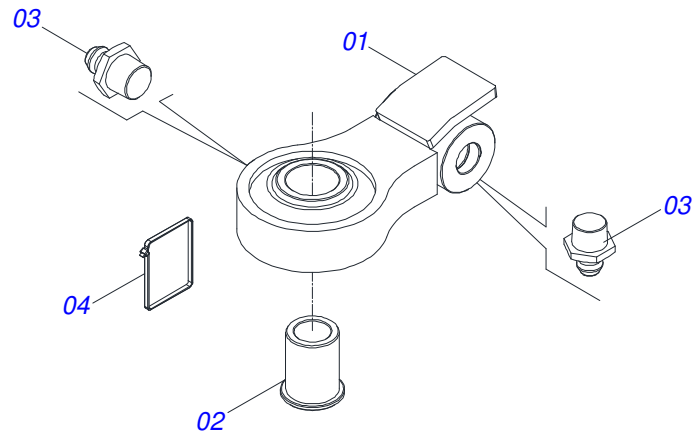
Item	Code	Description	See page	QT
01	0521069308	HITCH BAR (1976)		01
02	0521048502	ASSY TRACTION BAR	4	01
03	0501010334	1" X 7" BOLT		02
04	0503011438	SPRING WASHER		02
05	0501010059	1.5/8 NUT		02



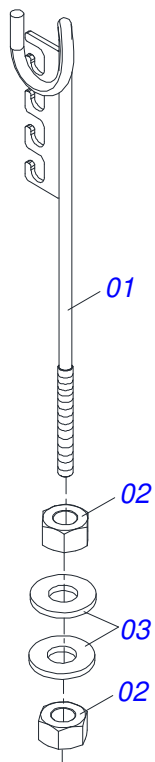
Item	Code	Description	See page	QT
01	0501066715	DRAW BAR		01
02	0501062869	TRACTOR HITCH		01
03	0501017291	1-1/2" X 8.1" BOLT		01
04	0501011301	1.1/2 UNC 6FPP 2.5/16 NUT		01
05	0503010010	1/4" X 2.1/2" SPLIT PIN		01
06	0501010334	1" X 7" BOLT		02
07	0503011438	SPRING WASHER		02
08	0501010059	1.5/8 NUT		02
09	0521064097	OFFSET BAR		01



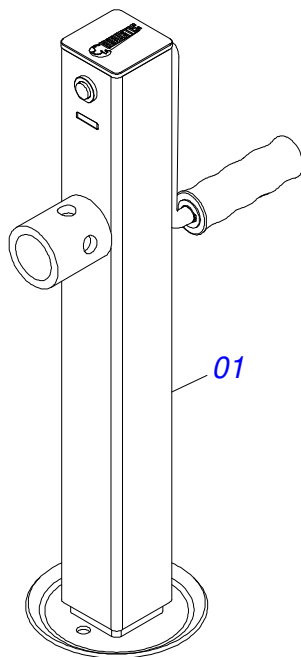
Item	Code	Description	See page	QT
01	0521069165	DRAW BAR		01
02	0521057520	HITCH ASSY		01
03	0581015973	1.1/4 UNC X 8 C S G5 SCREW		01
04	0501017779	32 X 60 X 4.75 FLAT WASHER		02
05	0503013026	1.1/4" CASTLE NUT		01
06	0503010010	1/4" X 2.1/2" SPLIT PIN		01



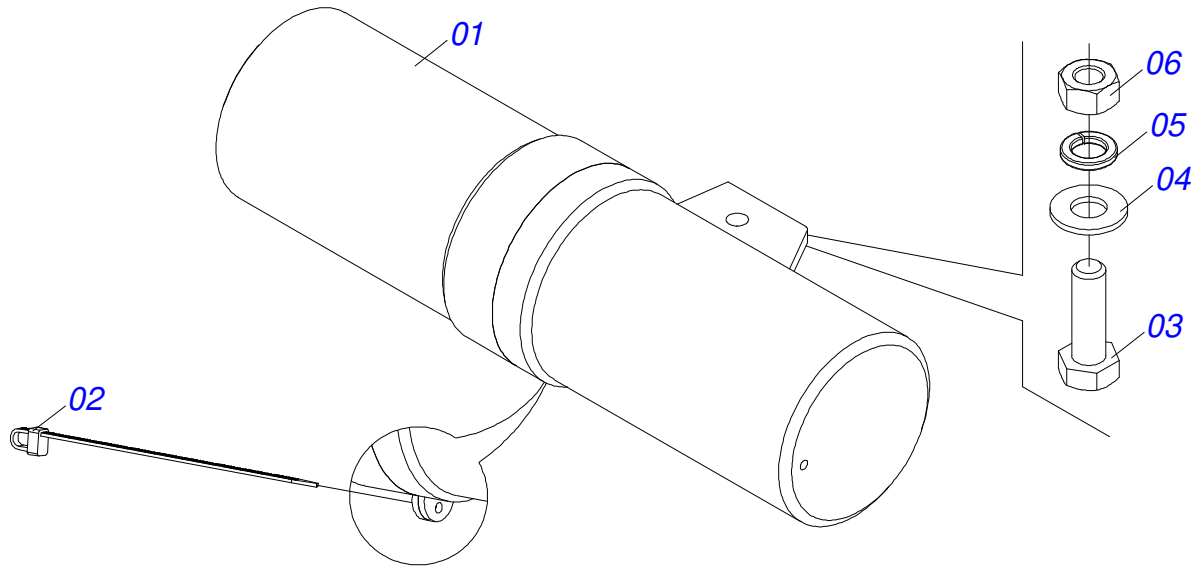
Item	Code	Description	See page	QT
01	0521069166	HITCH		01
02	0581018413	SLEEVE		01
03	0503010002	1800 GREASE FITTING		02
04	0503016033	4.8 X 1.3 X 300 MM NYLON CLAMP		01



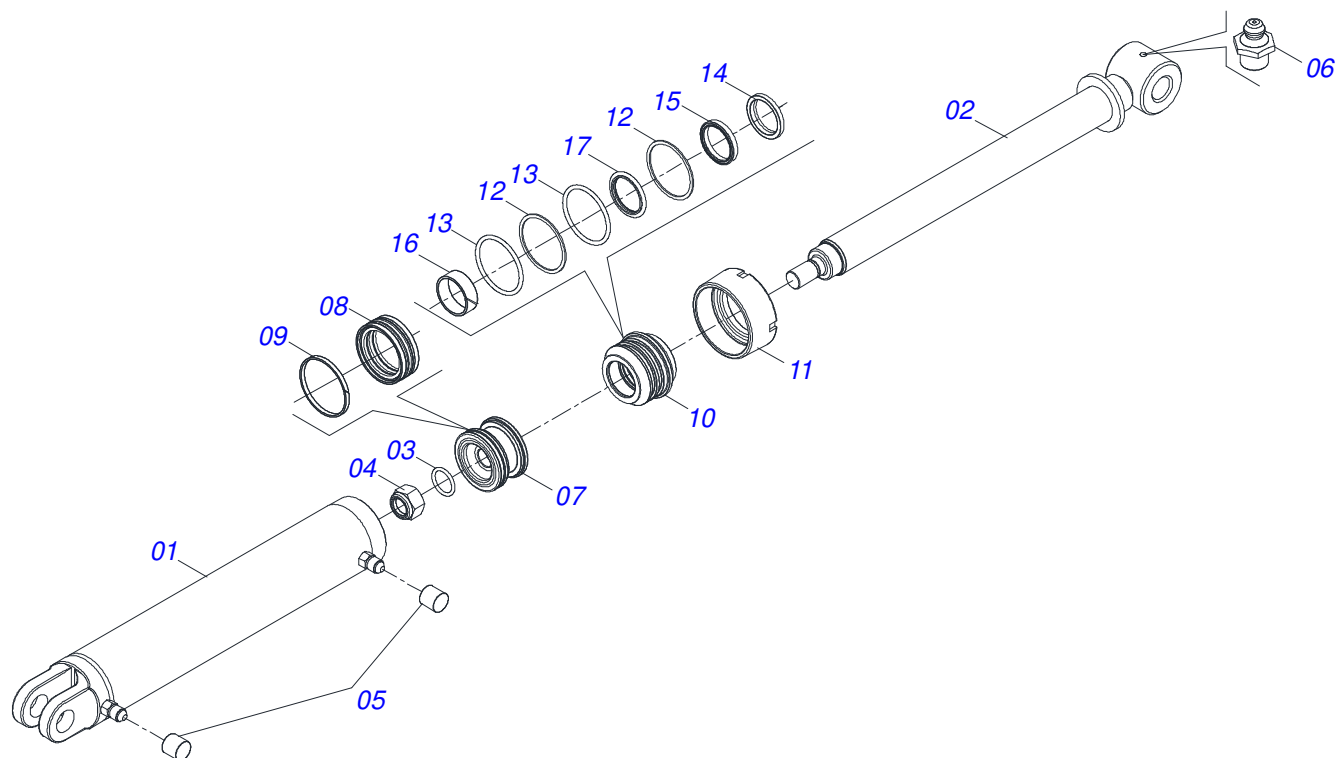
Item	Code	Description	See page	QT
01	0511067334	HOSE SUPPORT		01
02	0503010014	3/4" HEX NUT		02
03	0501010322	FLAT WASHER		02



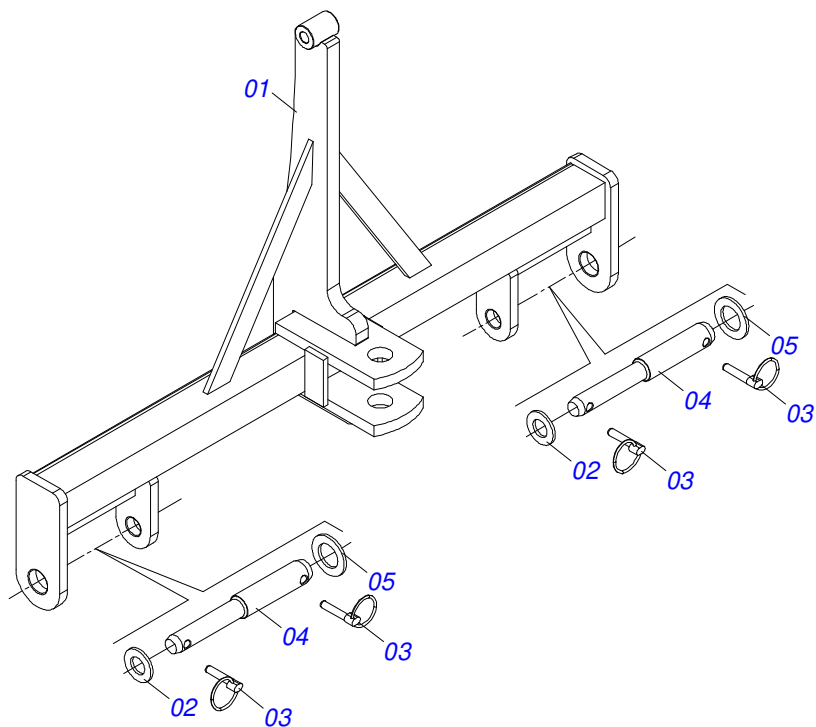
Item	Code	Description	See page	QT
01	0503062157	DRAWBAR JACK	7	01



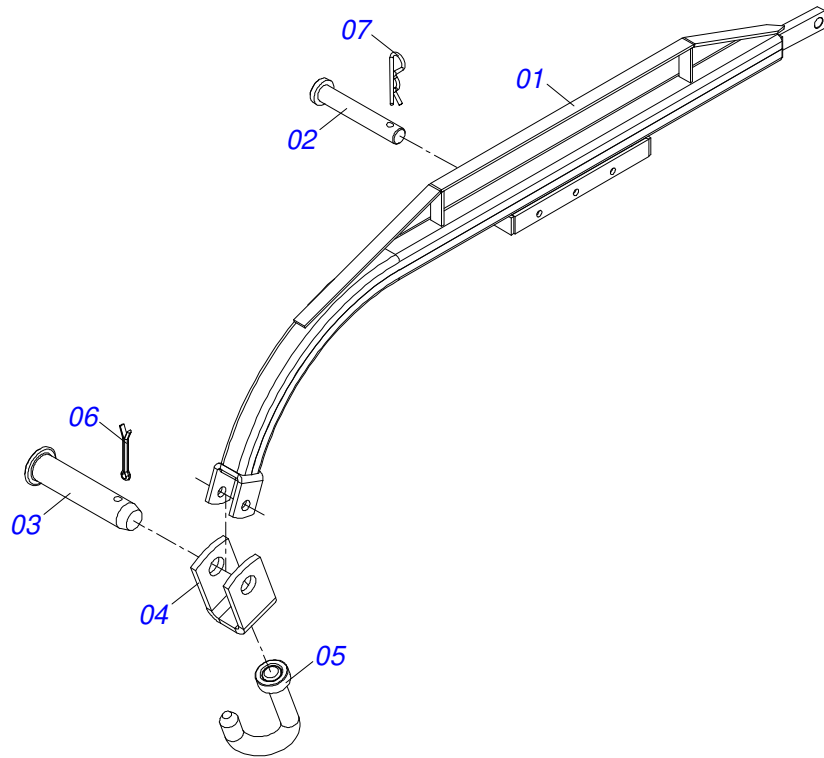
Item	Code	Description	See page	QT
01	0503060100	INSTRUCTIONS MANUAL CANISTER		01
02	0503010267	NYLON CLAMP		01
03	0503010363	BOLT 5/16 UNC X 1 C S G.2 ZN		01
04	0501010694	FLAT WASHER		01
05	0503010179	LOCK WASHER 5/16 ZN 1K01528		01
06	0503010337	5/16" NUT		01



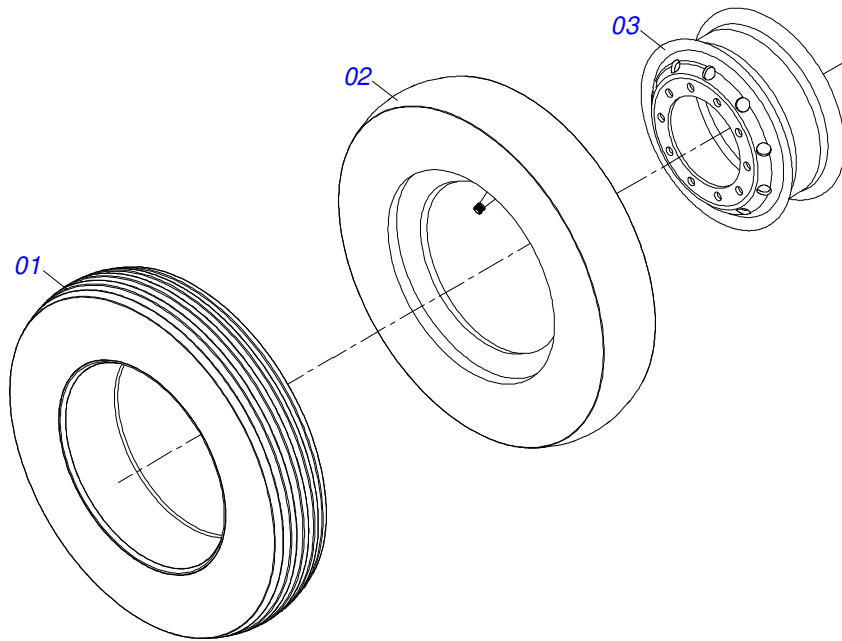
Item	Code	Description	See page	QT
01	0521063982	CYLINDER CASE		01
02	0521067533	50,80 X 697 EXTENSOR		01
03	0503010042	2-214 N 3006-9B O'RING		01
04	0503010063	1" SELF-ALIGNING NUT		01
05	0503030385	CYLINDER PLUG N-002		02
06	0503010002	1800 GREASE FITTING		01
07	0571019710	1.7" X 3.4" PISTON		01
08	0503017935	RING		01
09	0503018144	RING		01
10	0581013228	50,80 X 85,72 SUPPORT RINGS		01
11	0581013227	85,72 MOVE COVER		01
12	0503017940	8-337 BACK-UP RING		02
13	0503017939	2-337 N 3006-9B O' RING		02
14	0503010039	D-2000 SCRAPER RING		01
15	0503018026	1870-2000-375 B GASKET		01
16	0503018025	RING GUIDE		01
17	0503018024	RING BS		01



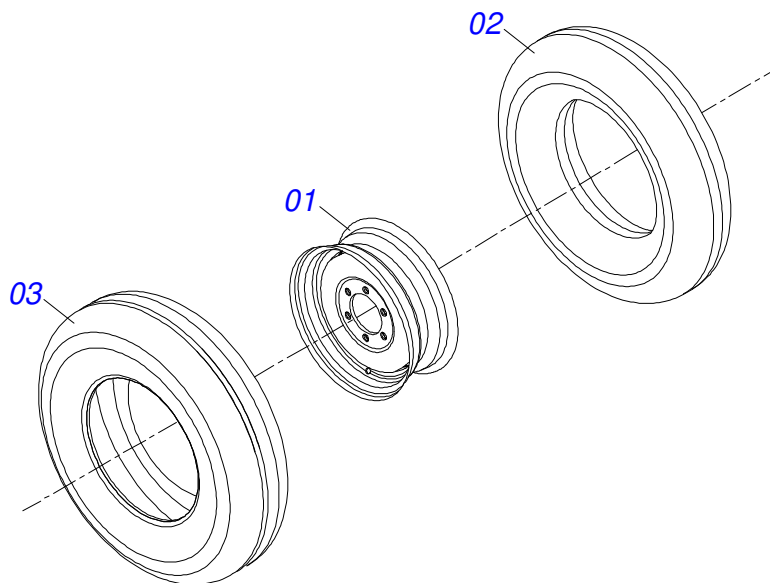
Item	Code	Description	See page	QT
01	0511062944	DRAWBAR		01
02	0501012916	FLAT WASHER 40 X 66 X 4,75 ZN		02
03	0503030430	7/16 X 2" PIN LOCK		04
04	0541015542	1.1/8" HITCH AXLE		02
05	0511017480	FLAT WASHER		02



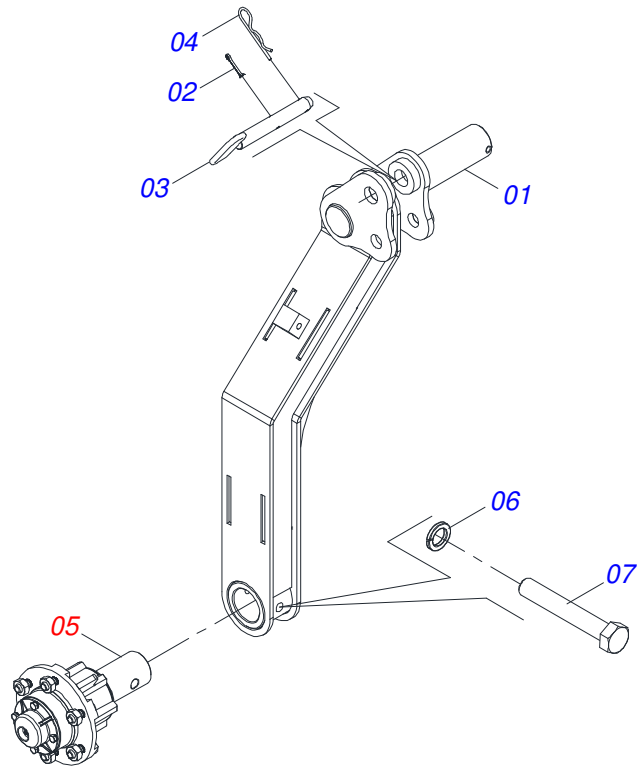
Item	Code	Description	See page	QT
01	0501062595	FRAME GAT 800		01
02	0501011388	COUPLING SHAFT		01
03	0521010579	COUPLING SHAFT		01
04	0511016686	U HOOK		01
05	0501067537	25,4 X 100 HOOK		01
06	0503010018	5/32" X 1-1/2" SPLIT PIN		01
07	0503030168	HITCH PIN CLIP		01



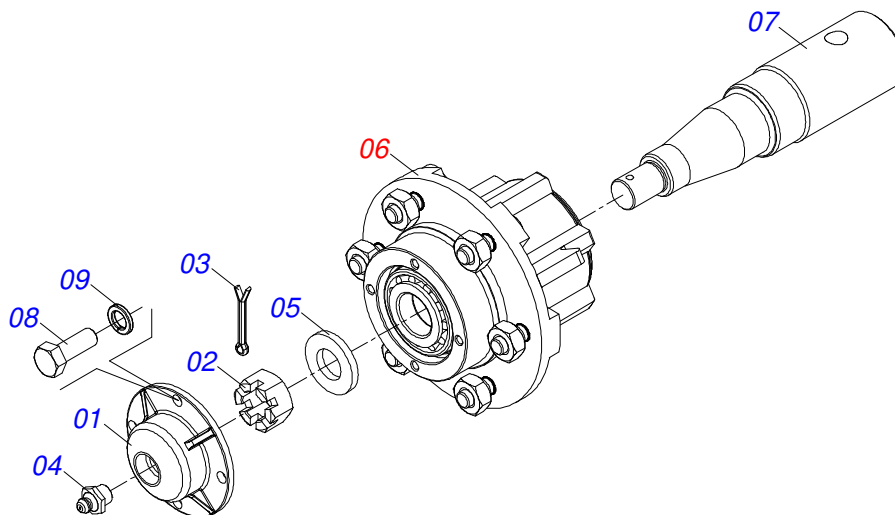
Item	Code	Description	See page	QT
01	0503010065	CANVAS TIRE		01
02	0503010068	6.00 X 16 INNER TIRE		01
03	0503010894	0.2"X0.6"X4.6"X6F0.6"X6" WHEEL		01



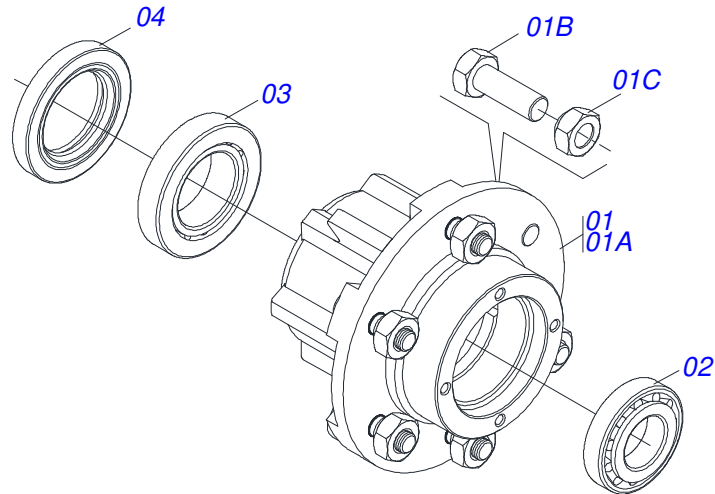
Item	Code	Description	See page	QT
01	0503010893	WHEEL		01
02	0503010033	7.50 X 16 INNER TIRE		01
03	0503010120	CANVAS TIRE		01



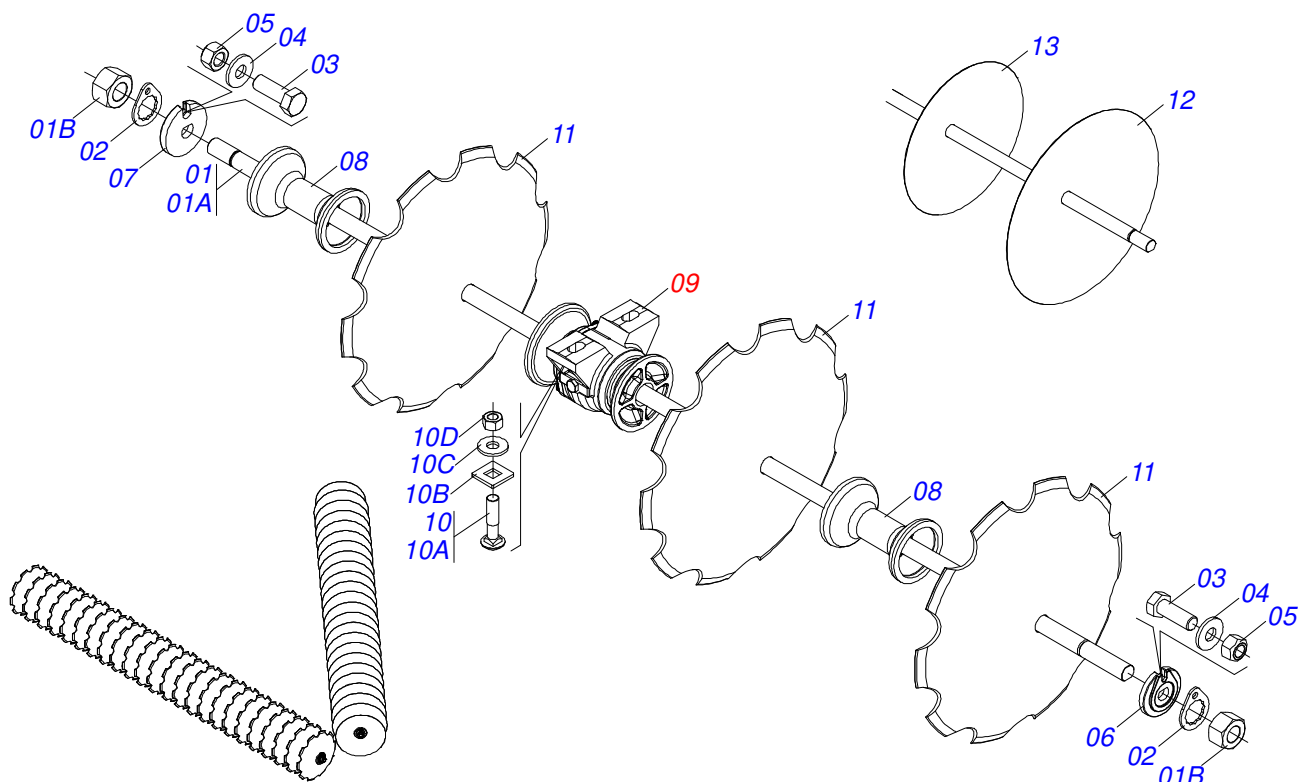
Item	Code	Description	See page	QT
01	0521068372	WHEELED ARM		01
02	0503010131	3/16" X 1.1/2" SPLIT PIN		01
03	0521068769	COUPLING SHAFT		01
04	0503030012	HITCH PIN CLIP		01
05	0521052217	ASSY WHEEL CUBE	16	01
06	0503010027	5/8 SPRING WASHER		01
07	0503017857	BOLT 5/8 UNF 4		01



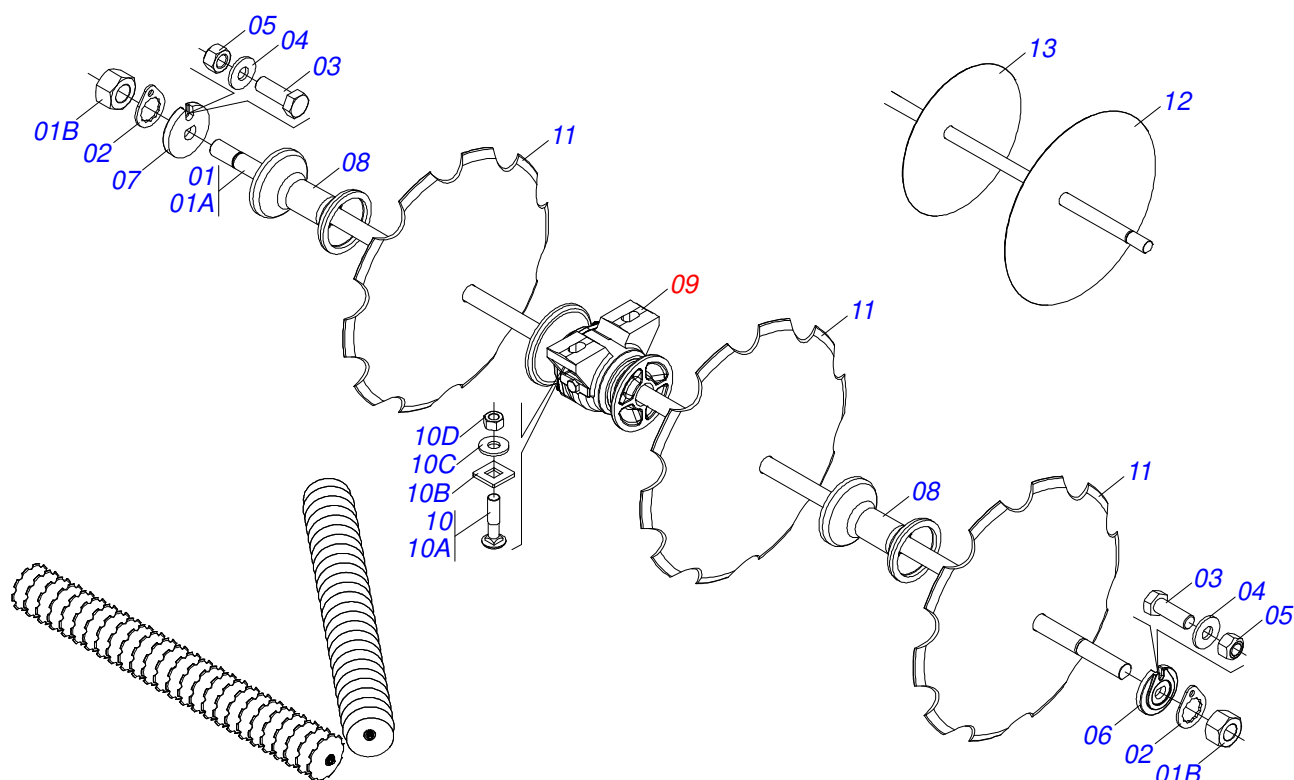
Item	Code	Description	See page	QT
01	0502020591	PROTECCION COVER		01
02	0503030009	1" CASTLE NUT		01
03	0503010018	5/32" X 1-1/2" SPLIT PIN		01
04	0503010002	1800 GREASE FITTING		01
05	0501016545	FLAT WASHER		01
06	0501051142	CARRYING WHEEL HUB	17	01
07	0581016297	63,50 X 270 AXIS		01
08	0503010178	5/16" X 7/8" BOLT		04
09	0503010179	LOCK WASHER 5/16 ZN 1K01528		04



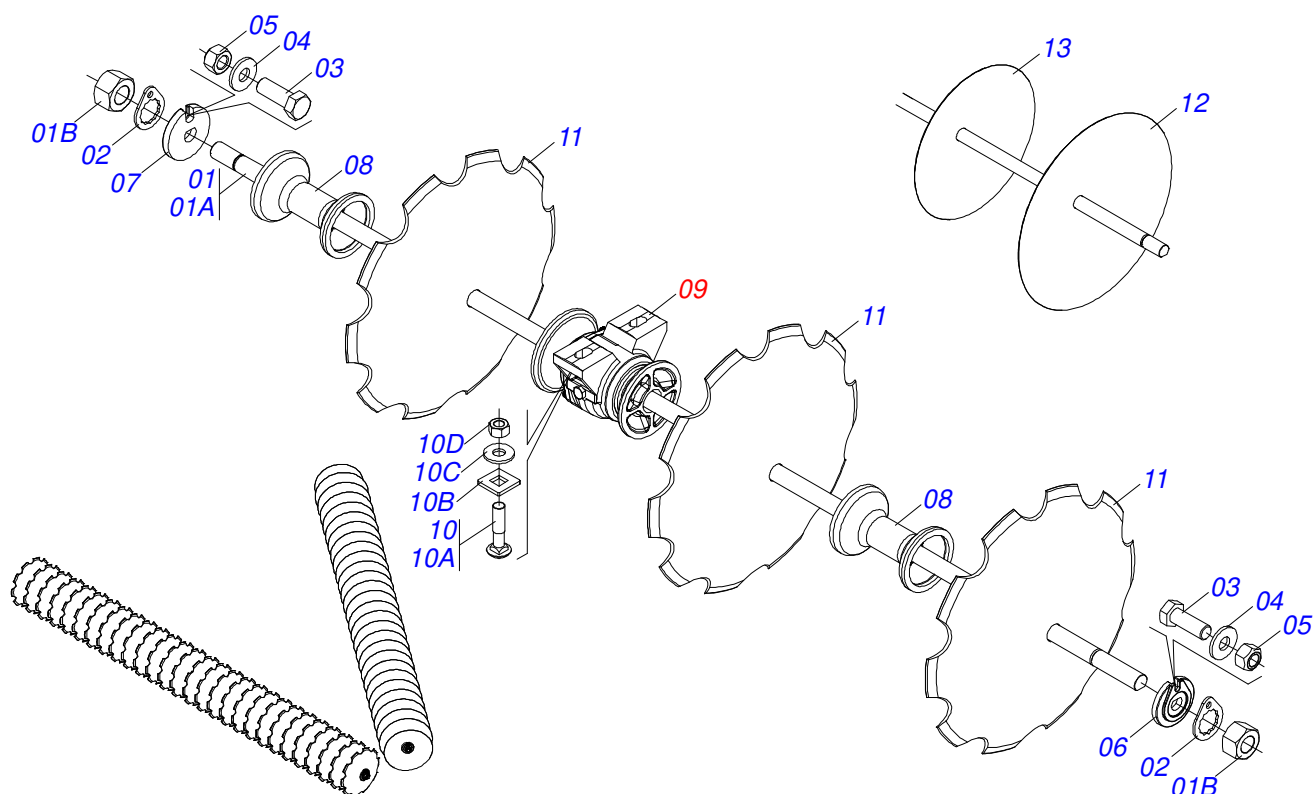
Item	Code	Description	See page	QT
01	0501110728	WHEEL HUB		01
01A	0502011121	CARRYING WHEEL HUB		01
01B	0501010127	9/16" X 1-7/8" LUG BOLT		06
01C	0503010035	9/16" CONIC NUT		06
02	0503010037	30207 ROLLER BEARING		01
03	0503010006	32210 ROLLER BEARING		01
04	0503012928	SEAL		01



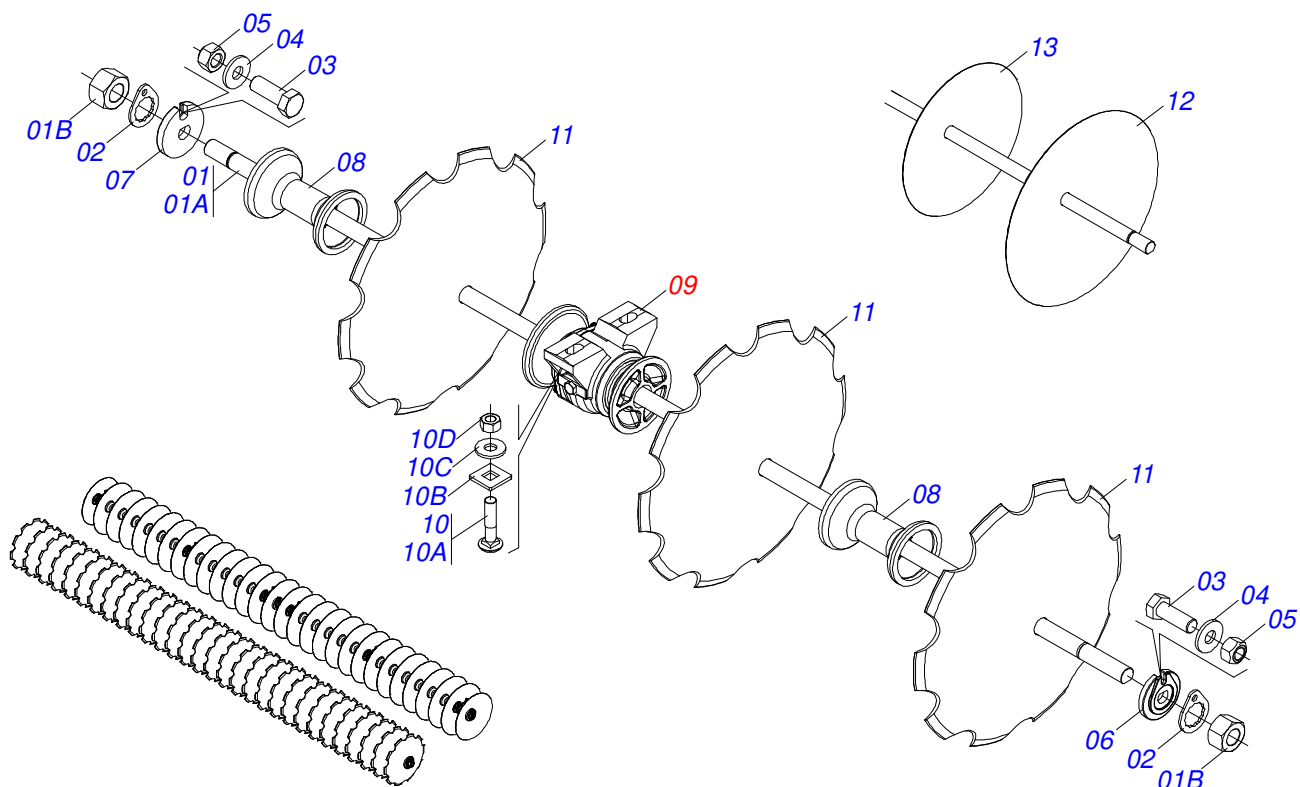
Item	Code	Description	See page	QT
01	0521045341	1.1/2 6FPP X 2290 AXLE WITH NUTS		04
01A	0511012017	1.1/2 6FPP X 2290 AXLE		01
01B	0501010110	1.1/2" NUT		02
02	0501018592	1.5/8" NUT LOCK		08
03	0503011267	5/8 UNC X 1.1/2 C S G.5 ZN BOLT		08
04	0501012140	FLAT WASHER		08
05	0503012412	5/8" UNC SELF LOCKING NUT		08
06	0502010871	1-1/2" EXTERNAL AXLE WASHER		04
07	0502010872	1-1/2" INNER AXLE WASHER		04
08	0502010627	SPACER		32
09	0501047055	BEARING	22	12
10	0501058802	5/8 UNC X 2.3/4 BOLT ASSY		24
10A	0503015154	5/8" X 2.3/4" BOLT		01
10B	0501010947	5/8 NUT LOCK		01
10C	0501012140	FLAT WASHER		01
10D	0503010013	5/8 NUT		02
11	0602027341	DR 20 X 3,5 C57AF02FR1.9/16 10R		24
11.	0602027356	DR 20 X 4,5 C57AF02FR1.9/16 10R		24
11..	0602029422	DR 22 X 3,5 C64AF02FR1.9/16 10R		24
11...	0602029416	DR 22 X 4,5 C64AF02FR1.9/16 10R		24
11....	0602030429	DR 24 X 4,5 C66AF02FR1.9/16 10R		24
12	0601027302	DL 20 X 3,5 C57AF02FR1.9/16		22
12.	0601027299	DL 20 X 4,5 C57AF02FR1.9/16		22
12..	0601029419	DL 22 X 3,5 C64AF02FR1.9/16		22
12...	0601031134	DL 24 X 4,5 C66AF02FR1.9/16		22
13	0601025033	DL 18 X 3,5 C45AF02FR1.9/16		02
13.	0601025099	DL 18 X 4,5 C45AFPAFR1.9/16		02
13..	0601029413	DL 22 X 4,5 C64AF02FR1.9/16		22
13...	0601029414	DL 22 X 4,5 C63AF02FR1.9/16		02



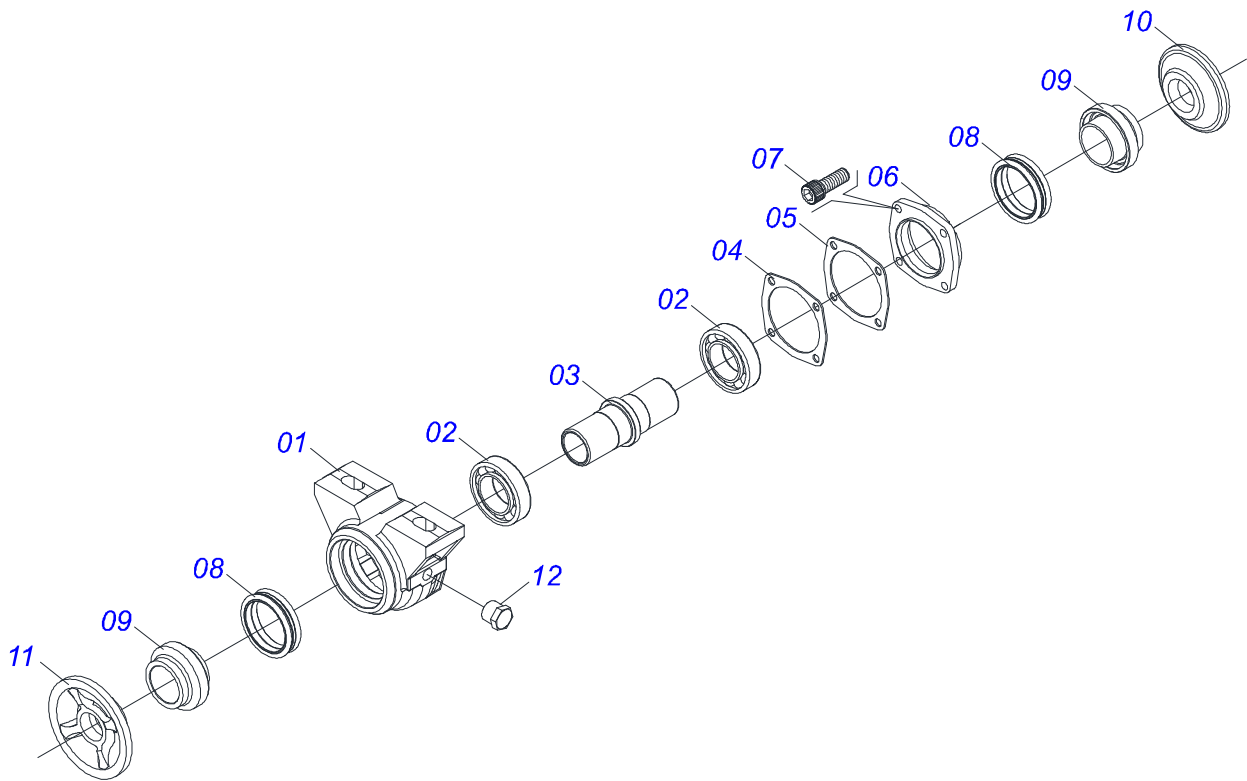
Item	Code	Description	See page	QT
01	0511054527	1.1/2 6FPP X 2490 AXLE WITH NUTS		04
01A	0531019372	1.1/2 6FPP X 2490 AXLE		01
01B	0501010110	1.1/2" NUT		02
02	0501018592	1.5/8" NUT LOCK		08
03	0503011267	5/8 UNC X 1.1/2 C S G.5 ZN BOLT		08
04	0501012140	FLAT WASHER		08
05	0503012412	5/8" UNC SELF LOCKING NUT		08
06	0502010871	1-1/2" EXTERNAL AXLE WASHER		04
07	0502010872	1-1/2" INNER AXLE WASHER		04
08	0502010627	SPACER		36
09	0501047055	BEARING	22	12
10	0501058802	5/8 UNC X 2.3/4 BOLT ASSY		24
10A	0503015154	5/8" X 2.3/4" BOLT		01
10B	0501010947	5/8 NUT LOCK		01
10C	0501012140	FLAT WASHER		01
10D	0503010013	5/8 NUT		02
11	0602027341	DR 20 X 3,5 C57AF02FR1.9/16 10R		26
11.	0602027356	DR 20 X 4,5 C57AF02FR1.9/16 10R		26
11..	0602029422	DR 22 X 3,5 C64AF02FR1.9/16 10R		26
11...	0602029416	DR 22 X 4,5 C64AF02FR1.9/16 10R		26
11....	0602030429	DR 24 X 4,5 C66AF02FR1.9/16 10R		26
12	0601027302	DL 20 X 3,5 C57AF02FR1.9/16		24
12.	0601027299	DL 20 X 4,5 C57AF02FR1.9/16		24
12..	0601029419	DL 22 X 3,5 C64AF02FR1.9/16		24
12...	0601031134	DL 24 X 4,5 C66AF02FR1.9/16		24
13	0601025033	DL 18 X 3,5 C45AF02FR1.9/16		02
13.	0601025099	DL 18 X 4,5 C45AFPAFR1.9/16		02
13..	0601029413	DL 22 X 4,5 C64AF02FR1.9/16		24



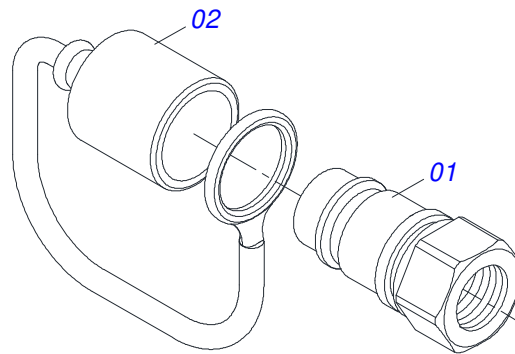
Item	Code	Description	See page	QT
01	0511045023	1.1/2 6FPP X 2680 AXLE WITH NUTS		04
01A	0551011002	1.1/2 6FPP X 2680 AXLE		01
01B	0501010110	1.1/2" NUT		02
02	0501018592	1.5/8" NUT LOCK		08
03	0503011267	5/8 UNC X 1.1/2 C S G.5 ZN BOLT		08
04	0501012140	FLAT WASHER		08
05	0503012412	5/8" UNC SELF LOCKING NUT		08
06	0502010871	1-1/2" EXTERNAL AXLE WASHER		04
07	0502010872	1-1/2" INNER AXLE WASHER		04
08	0502010627	SPACER		40
09	0501047055	BEARING	22	12
10	0501058802	5/8 UNC X 2.3/4 BOLT ASSY		24
10A	0503015154	5/8" X 2.3/4" BOLT		01
10B	0501010947	5/8 NUT LOCK		01
10C	0501012140	FLAT WASHER		01
10D	0503010013	5/8 NUT		02
11	0602027341	DR 20 X 3,5 C57AF02FR1.9/16 10R		28
11.	0602027356	DR 20 X 4,5 C57AF02FR1.9/16 10R		28
11..	0602029422	DR 22 X 3,5 C64AF02FR1.9/16 10R		28
11...	0602029416	DR 22 X 4,5 C64AF02FR1.9/16 10R		28
11....	0602030429	DR 24 X 4,5 C66AF02FR1.9/16 10R		28
12	0601027302	DL 20 X 3,5 C57AF02FR1.9/16		26
12.	0601027299	DL 20 X 4,5 C57AF02FR1.9/16		26
12..	0601029419	DL 22 X 3,5 C64AF02FR1.9/16		26
12...	0601031134	DL 24 X 4,5 C66AF02FR1.9/16		26
13	0601025033	DL 18 X 3,5 C45AF02FR1.9/16		02
13.	0601025099	DL 18 X 4,5 C45AFPAFR1.9/16		02
13..	0601029413	DL 22 X 4,5 C64AF02FR1.9/16		26



Item	Code	Description	See page	QT
01	0501059898	1.1/2 6FPP X 2880 AXLE WITH NUTS		04
01A	0561016111	1.1/2 6FPP X 2880 AXLE		01
01B	0501010110	1.1/2" NUT		02
02	0501018592	1.5/8" NUT LOCK		08
03	0503011267	5/8 UNC X 1.1/2 C S G.5 ZN BOLT		08
04	0501012140	FLAT WASHER		08
05	0503012412	5/8" UNC SELF LOCKING NUT		08
06	0502010871	1-1/2" EXTERNAL AXLE WASHER		04
07	0502010872	1-1/2" INNER AXLE WASHER		04
08	0502010627	SPACER		44
09	0501047055	BEARING	22	12
10	0501058802	5/8 UNC X 2.3/4 BOLT ASSY		24
10A	0503015154	5/8" X 2.3/4" BOLT		01
10B	0501010947	5/8 NUT LOCK		01
10C	0501012140	FLAT WASHER		01
10D	0503010013	5/8 NUT		02
11	0602027341	DR 20 X 3,5 C57AF02FR1.9/16 10R		30
11.	0602027356	DR 20 X 4,5 C57AF02FR1.9/16 10R		30
11..	0602029422	DR 22 X 3,5 C64AF02FR1.9/16 10R		30
11...	0602029416	DR 22 X 4,5 C64AF02FR1.9/16 10R		30
11....	0602030429	DR 24 X 4,5 C66AF02FR1.9/16 10R		30
12	0601027302	DL 20 X 3,5 C57AF02FR1.9/16		28
12.	0601027299	DL 20 X 4,5 C57AF02FR1.9/16		28
12..	0601029419	DL 22 X 3,5 C64AF02FR1.9/16		28
12...	0601031134	DL 24 X 4,5 C66AF02FR1.9/16		28
13	0601025033	DL 18 X 3,5 C45AF02FR1.9/16		02
13.	0601025099	DL 18 X 4,5 C45AFPAFR1.9/16		02
13..	0601029413	DL 22 X 4,5 C64AF02FR1.9/16		28



Item	Code	Description	See page	QT
01	0502010540	HOUSING DM		01
02	0503010006	32210 ROLLER BEARING		02
03	0502040061	AXLE		01
04	0503030013	4.4" X 3.5" X 0.004" JOINT		03
05	0503030684	4.4" X 3.5" X 0.004" JOINT		02
06	0502020424	HOUSING CAP		01
07	0503010134	3/8" X 1" BOLT		04
08	0503030026	SEAL LP JB-253		02
09	0502010541	SEAL RETAINER		02
10	0502010604	OUTER FLANGE		01
11	0502010605	INNER FLANGE		01
12	0503010856	OIL PLUG		02



Item	Code	Description	See page	QT
01	0503011627	MALE QUICK COUPLER AGR 1/2 NPT		01
02	0503011882	MALE QUICK COUPLER CAP		01



MARCHESAN

Technical Publications | Elaboration and Revision

ALESSANDRA PATRICIA KAWAHARA CARRILI

www.marchesan.com.br

