

**PD - FRONT LOADER**

## **PD VTR A114/A124/A134 BT SC GAL**

**Code:** 0501092646  
**Series:** S-0418  
**Revision:** 00  
**Date Revision:** MARÇO/2020

# **PARTS CATALOGUE**



**MARCHESAN**



# PRODUCTS

| Code       | Description                     |
|------------|---------------------------------|
| 0106020456 | PD VTR A114/A124/A134 BT SC GAL |

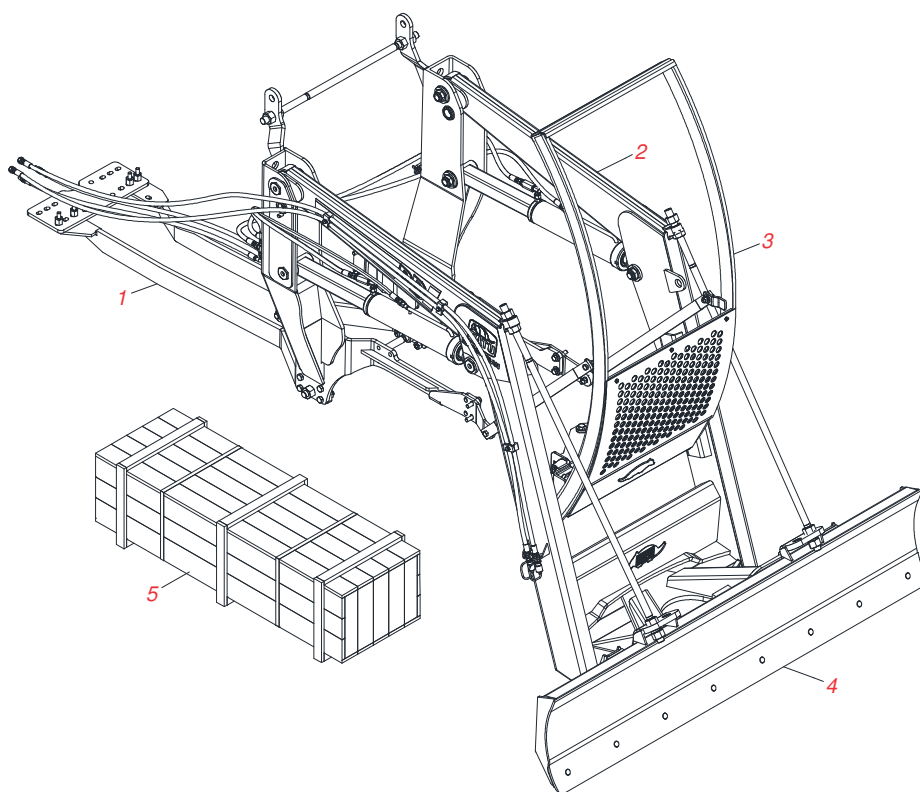
## ATTENTION: IMPORTANT

Marchesan S.A. reserves the right to improve and / or modify the technical features of its products, without obligation to do the same with those products already sold and without prior knowledge of the dealer or the consumer.

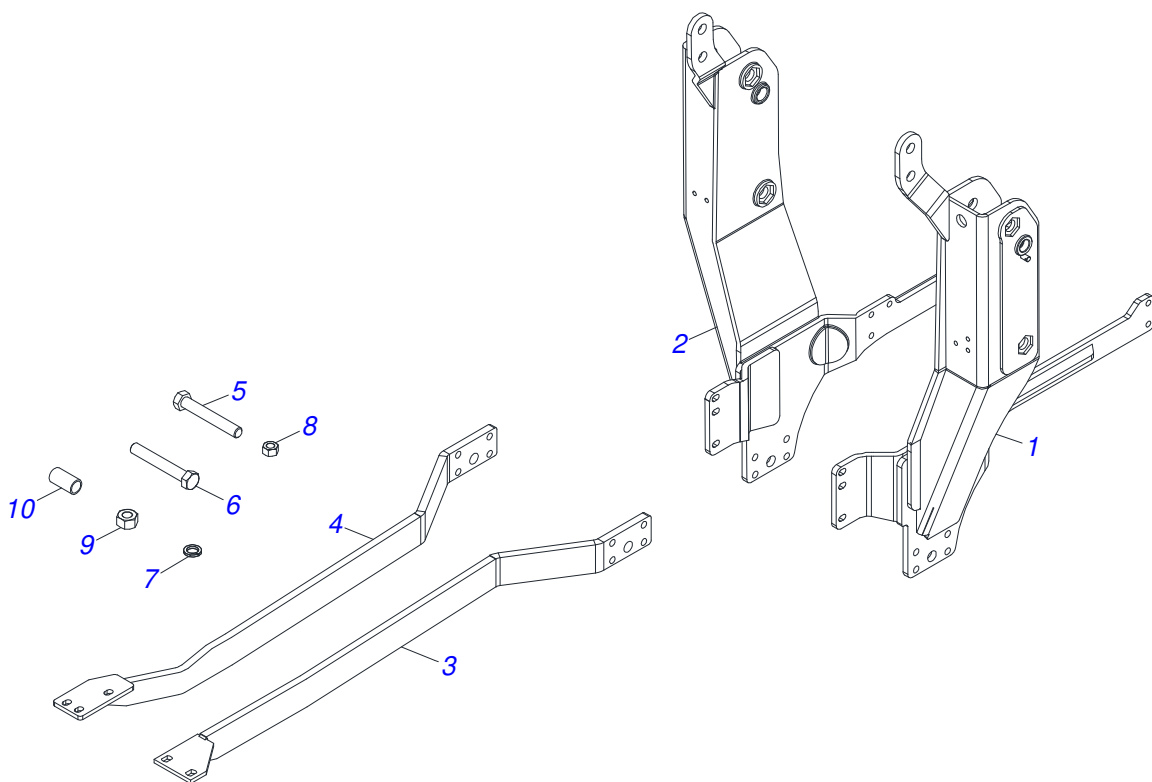


# INDEX

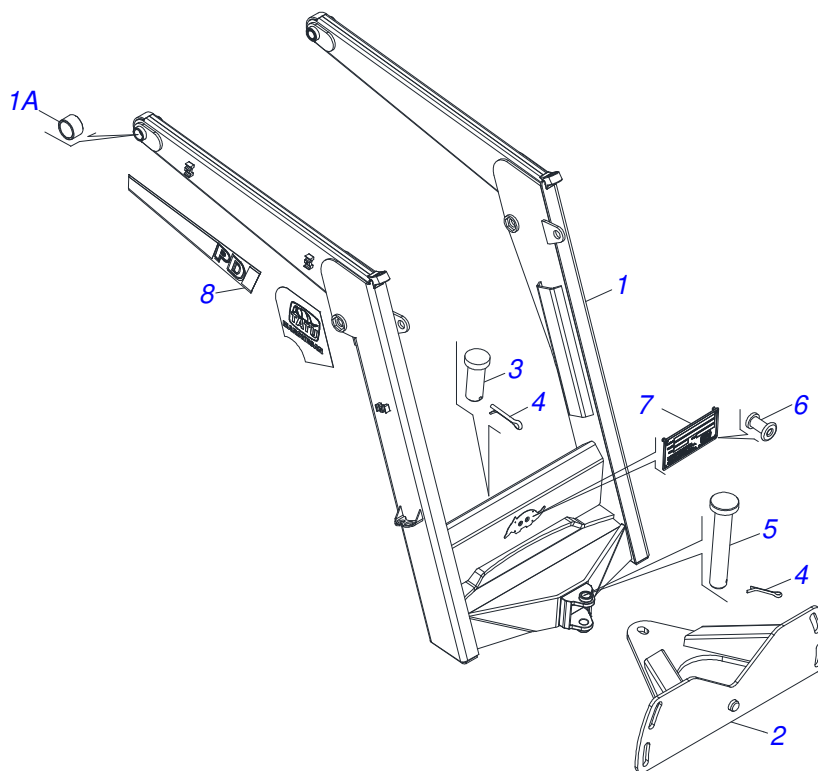
|            |   |       |    |
|------------|---|-------|----|
| 0106020456 | PD VTR A114/A124/A134 BT SC GAL           | ..... | 1  |
| 0521047934 | FRAME ASSEMBLY WITH DRAWBAR               | ..... | 2  |
| 0521047902 | MOBILE SUPPORT ASSY                       | ..... | 3  |
| 0511047750 | 2400 SCRAPER ASSY WITH STABILIZER BRACKET | ..... | 4  |
| 0501047708 | 2400 BLADE SUPPORT                        | ..... | 5  |
| 0521024386 | BOX WITH COMPONENTS                       | ..... | 6  |
| 0909098814 | MOBILE SUPPORT COMPONENTS                 | ..... | 8  |
| 0521047923 | ROD                                       | ..... | 9  |
| 0909098815 | FRAME COMPONENTS                          | ..... | 10 |
| 0511043351 | 1.1/4" X 40" ROD                          | ..... | 11 |
| 0521047924 | ROD                                       | ..... | 12 |
| 0909098813 | HYDRAULIC SYSTEM                          | ..... | 13 |
| 0521051546 | HYDRAULIC CYLINDER                        | ..... | 14 |
| 0511057771 | R.7/8UNF - SAFETY VALVE                   | ..... | 15 |
| 0909098841 | PACKED PARTS ( FRAME )                    | ..... | 16 |
| 0909098826 | PACKED PARTS ( MOBILE SUPPORT )           | ..... | 17 |



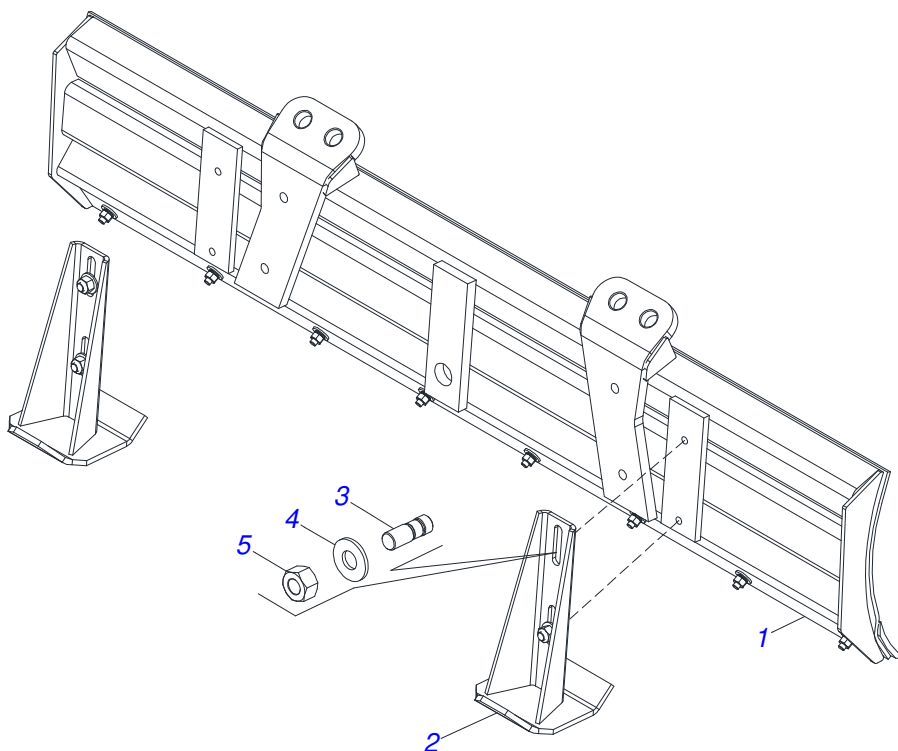
| Item | Code       | Description                               | See page | QT |
|------|------------|---|----------|----|
| 001  | 0521047934 | FRAME ASSEMBLY WITH DRAWBAR               | 2        | 01 |
| 002  | 0521047902 | MOBILE SUPPORT ASSY                       | 3        | 01 |
| 003  | 0501048330 | MOBILE SUPPORT GUIDE ASSY                 |          | 01 |
| 004  | 0511047750 | 2400 SCRAPER ASSY WITH STABILIZER BRACKET | 4        | 01 |
| 005  | 0521024386 | BOX WITH COMPONENTS                       | 6        | 01 |



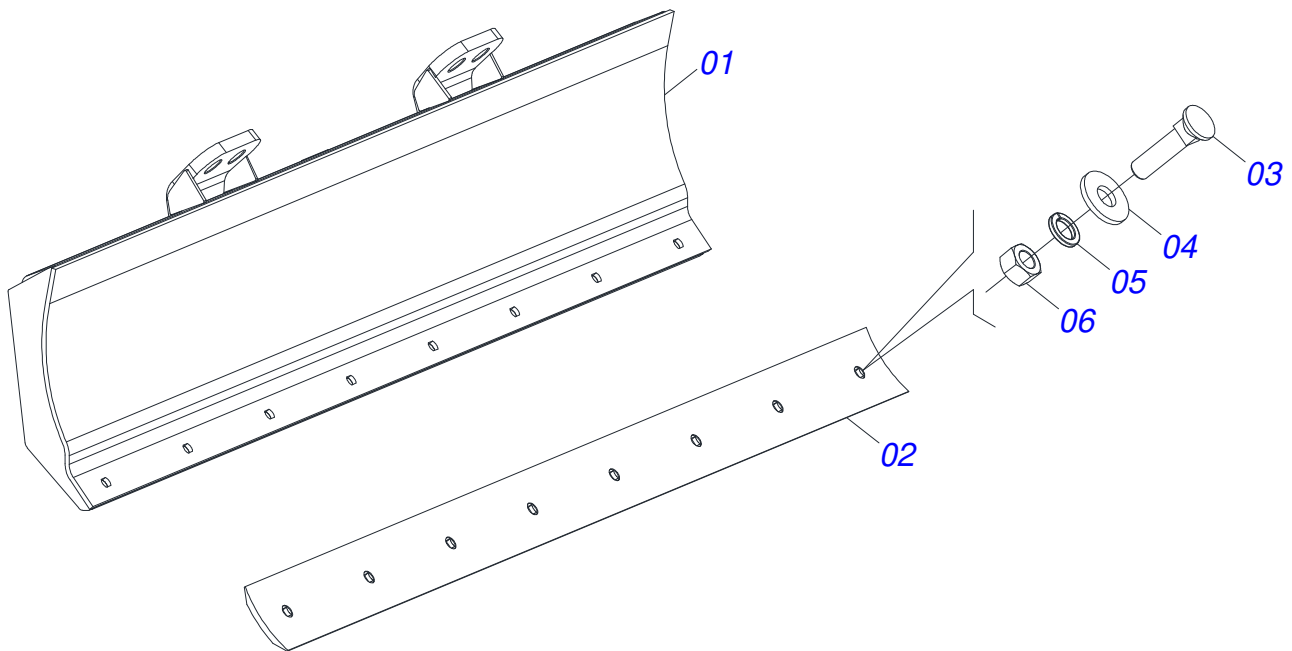
| Item | Code       | Description        | See page | QT |
|------|------------|--------------------|----------|----|
| 01   | 0521068518 | RIGHT FRAME        |          | 01 |
| 02   | 0521068515 | LEFT FRAME         |          | 01 |
| 03   | 0521068622 | RIGHT BAR          |          | 01 |
| 04   | 0521068621 | LEFT BAR           |          | 01 |
| 05   | 0503010233 | 5/8" X 2-1/2" BOLT |          | 02 |
| 06   | 0503011084 | 3/4" X 5" BOLT     |          | 04 |
| 07   | 0503010023 | 3/4" SPRING WASHER |          | 04 |
| 08   | 0503010013 | 5/8" NUT           |          | 02 |
| 09   | 0503010014 | 3/4" NUT           |          | 04 |
| 10   | 0581015170 | SLEEVE             |          | 04 |



| Item | Code       | Description                | See page | QT |
|------|------------|----------------------------|----------|----|
| 01   | 0521068513 | MOBILE SUPPORT             |          | 01 |
| 01A  | 0501110825 | SLEEVE                     |          | 02 |
| 02   | 0501062637 | 5/8" REGULATOR SUPPORT     |          | 01 |
| 03   | 0521010618 | 1.4" X 8.6" COUPLING SHAFT |          | 01 |
| 04   | 0503010010 | 1/4" X 2.1/2" COTTERPIN    |          | 02 |
| 05   | 0521010612 | 1.4" X 3.5" COUPLING SHAFT |          | 01 |
| 06   | 0503010001 | 3.2 X 5.5 RIVET            |          | 04 |
| 07   | 0503034003 | SERIAL NUMBER TAG 61 X 118 |          | 01 |
| 08   | 0503062270 | SET LABEL ADHESIVE         |          | 01 |

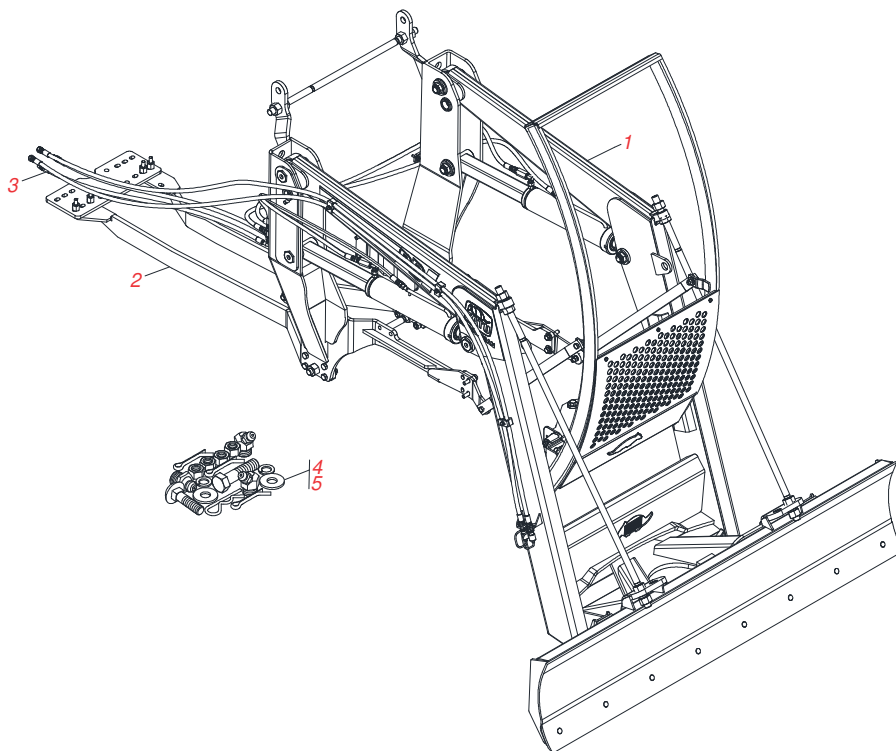


| Item | Code       | Description                     | See page | QT |
|------|------------|---------------------------------|----------|----|
| 01   | 0501047708 | 2400 BLADE SUPPORT              | 5        | 01 |
| 02   | 0501063411 | ESTABILIZER BRACKET             |          | 02 |
| 03   | 0561016756 | 3/4 UNC X 3/4 UNC X 56 PRISONER |          | 04 |
| 04   | 0501010322 | FLAT WASHER                     |          | 04 |
| 05   | 0503010014 | 3/4" NUT                        |          | 04 |

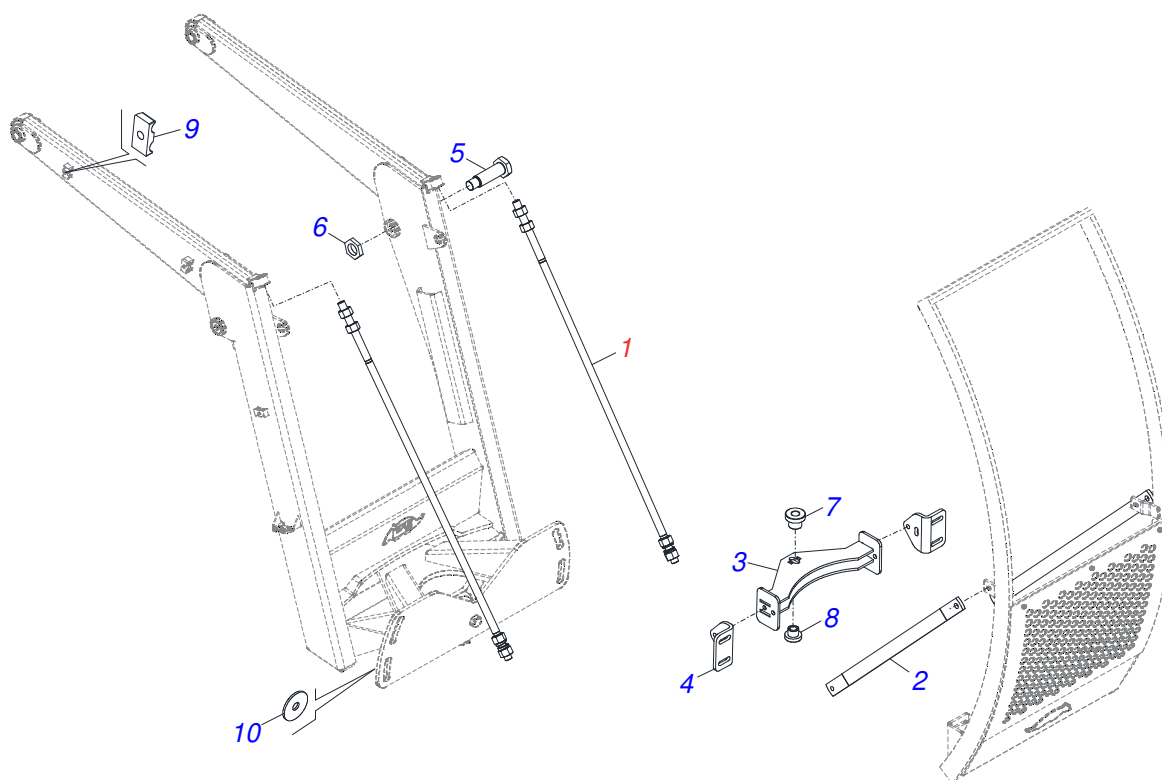


| Item | Code       | Description              | See page | QT |
|------|------------|--------------------------|----------|----|
| 01   | 0501067999 | 2390 BLADE SUPPORT       |          | 01 |
| 02   | 0622360016 | 94.5" SCRAPER REVERSIBLE |          | 01 |
| 03   | 0501012240 | BOLT                     |          | 08 |
| 04   | 0501012140 | FLAT WASHER              |          | 08 |
| 05   | 0503011445 | SPRING WASHER            |          | 08 |
| 06   | 0503010013 | 5/8" NUT                 |          | 08 |



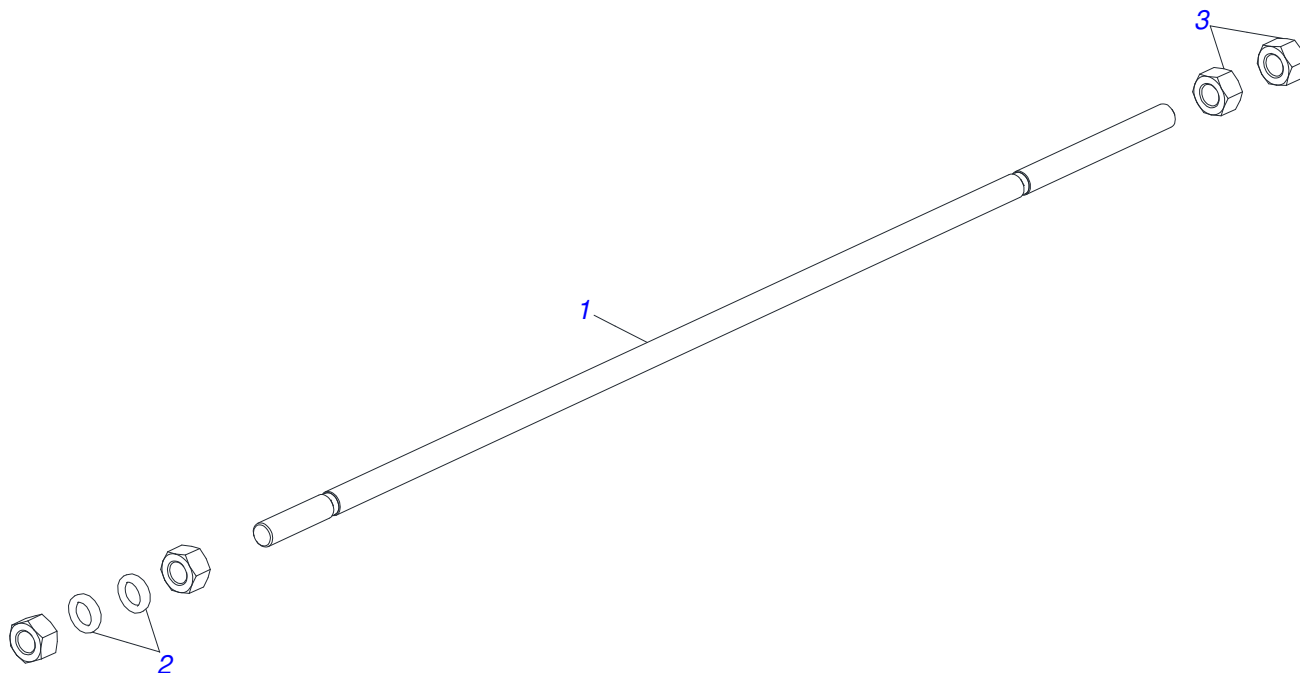


| Item | Code       | Description                     | See page | QT |
|------|------------|---------------------------------|----------|----|
| 01   | 0909098814 | MOBILE SUPPORT COMPONENTS       | 8        | 01 |
| 02   | 0909098815 | FRAME COMPONENTS                | 10       | 01 |
| 03   | 0909098813 | HYDRAULIC SYSTEM                | 13       | 01 |
| 04   | 0909098841 | PACKED PARTS ( FRAME )          | 16       | 01 |
| 05   | 0909098826 | PACKED PARTS ( MOBILE SUPPORT ) | 17       | 01 |

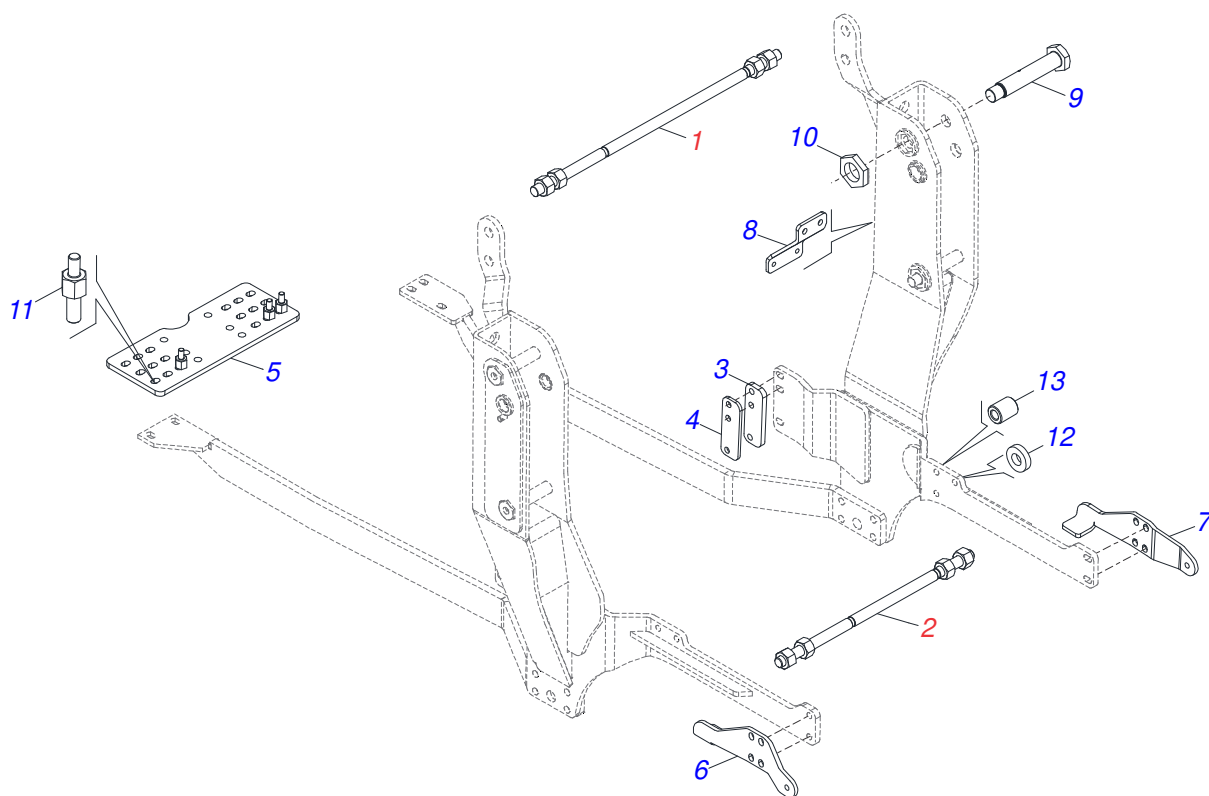


| Item | Code       | Description                         | See page | QT |
|------|------------|-------------------------------------|----------|----|
| 01   | 0521047923 | ROD                                 | 9        | 02 |
| 02   | 0581016940 | FRENCH HAND                         |          | 02 |
| 03   | 0521068624 | GUIDES FIXER                        |          | 01 |
| 04   | 0571014003 | FASTENING BRACKET OF THE HIGH GUIDE |          | 02 |
| 05   | 0581016852 | BOLT                                |          | 02 |
| 06   | 0581010243 | WASHER HEX                          |          | 02 |
| 07   | 0581016942 | SLEEVE                              |          | 01 |
| 08   | 0591010509 | SLEEVE                              |          | 01 |
| 09   | 0502010477 | HOSE CLAMP                          |          | 03 |
| 10   | 0501010574 | FLAT WASHER                         |          | 04 |

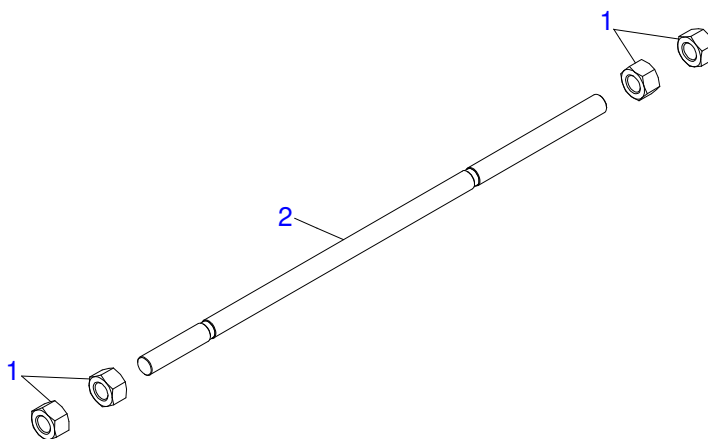
ROD



| Item | Code       | Description           | See page | QT |
|------|------------|-----------------------|----------|----|
| 001  | 0581016637 | ROD                   |          | 01 |
| 002  | 0502012180 | CONICAL SPRING WASHER |          | 02 |
| 003  | 0501010087 | 1.1/4" NUT            |          | 04 |

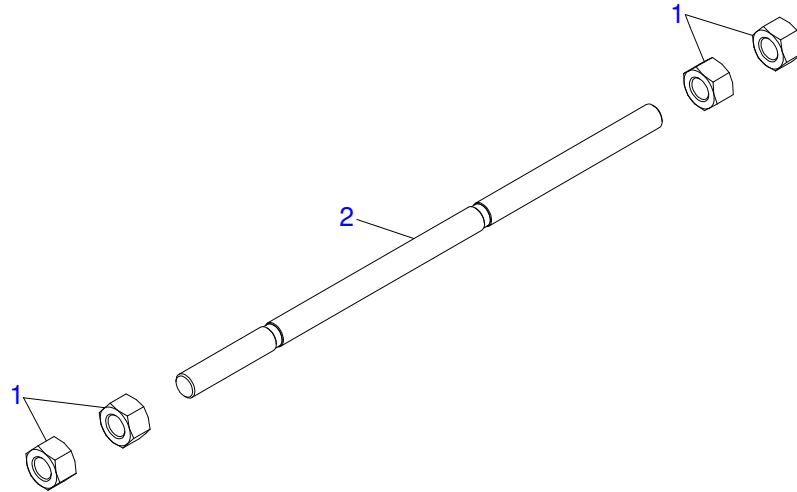


| Item | Code       | Description      | See page | QT |
|------|------------|------------------|----------|----|
| 01   | 0511043351 | 1.1/4" X 40" ROD | 11       | 01 |
| 02   | 0521047924 | ROD              | 12       | 01 |
| 03   | 0581016871 | CHOCK            |          | 02 |
| 04   | 0581016631 | REAR CHOCK       |          | 02 |
| 05   | 0581016683 | PLATE REAR       |          | 01 |
| 06   | 0581016770 | LEFT BEATER      |          | 01 |
| 07   | 0581016769 | RIGHT BEATER     |          | 01 |
| 08   | 0581016630 | FIXER SUPPORT    |          | 01 |
| 09   | 0581015006 | BOLT             |          | 04 |
| 10   | 0581010243 | WASHER HEX       |          | 04 |
| 11   | 0581016974 | STUD             |          | 04 |
| 12   | 0591010147 | FLAT WASHER      |          | 06 |
| 13   | 0581017017 | SLEEVE           |          | 04 |

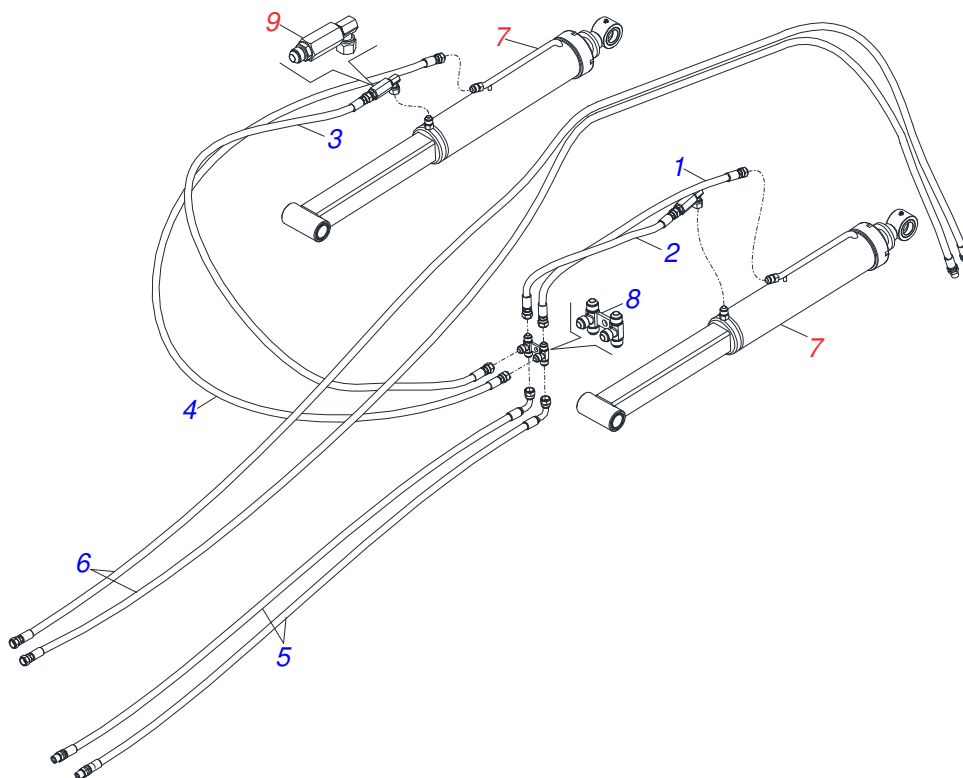


| Item | Code       | Description                    | See page | QT |
|------|------------|--------------------------------|----------|----|
| 01   | 0501010087 | 1.1/4" NUT                     |          | 04 |
| 02   | 0541015018 | ROD 1.1/4 NC X 1000 PCA-T 1750 |          | 01 |

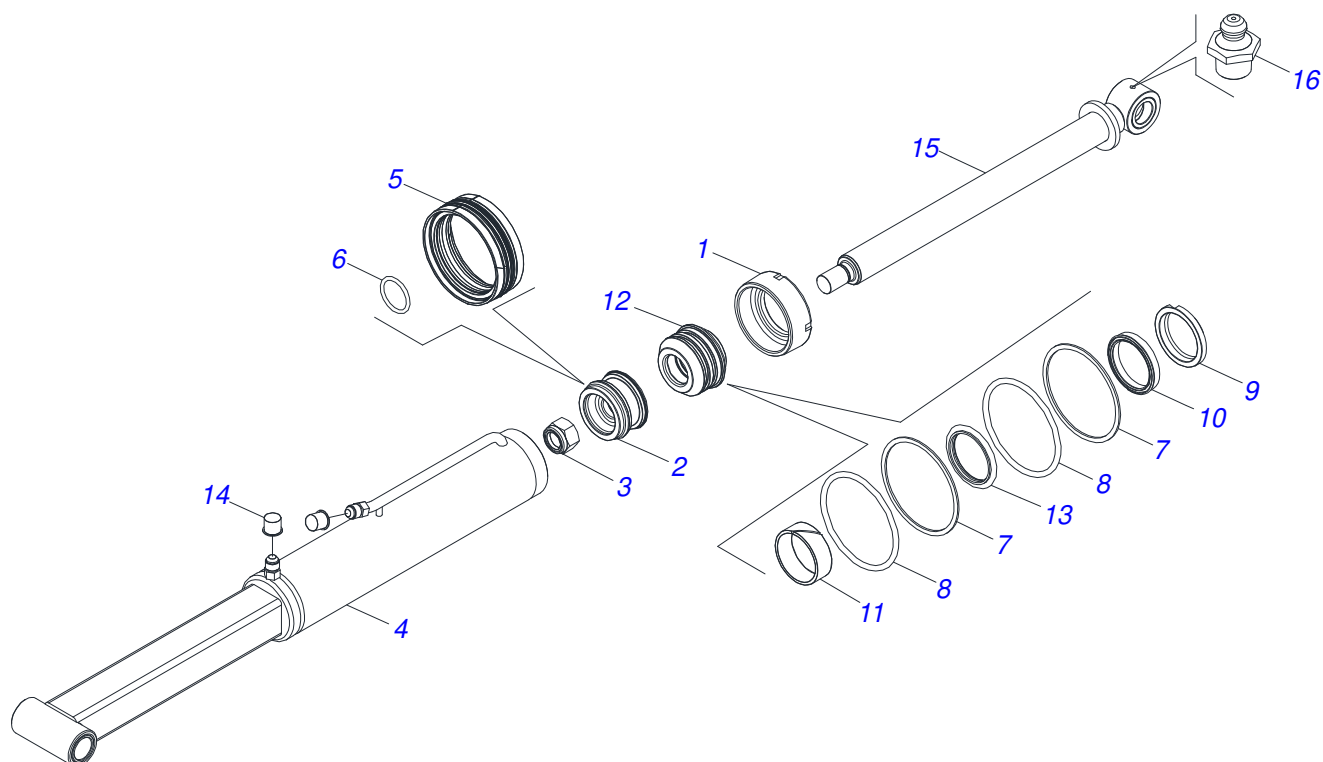
ROD



| Item | Code       | Description | See page | QT |
|------|------------|-------------|----------|----|
| 01   | 0501010087 | 1.1/4" NUT  |          | 04 |
| 02   | 0581016870 | ROD         |          | 01 |

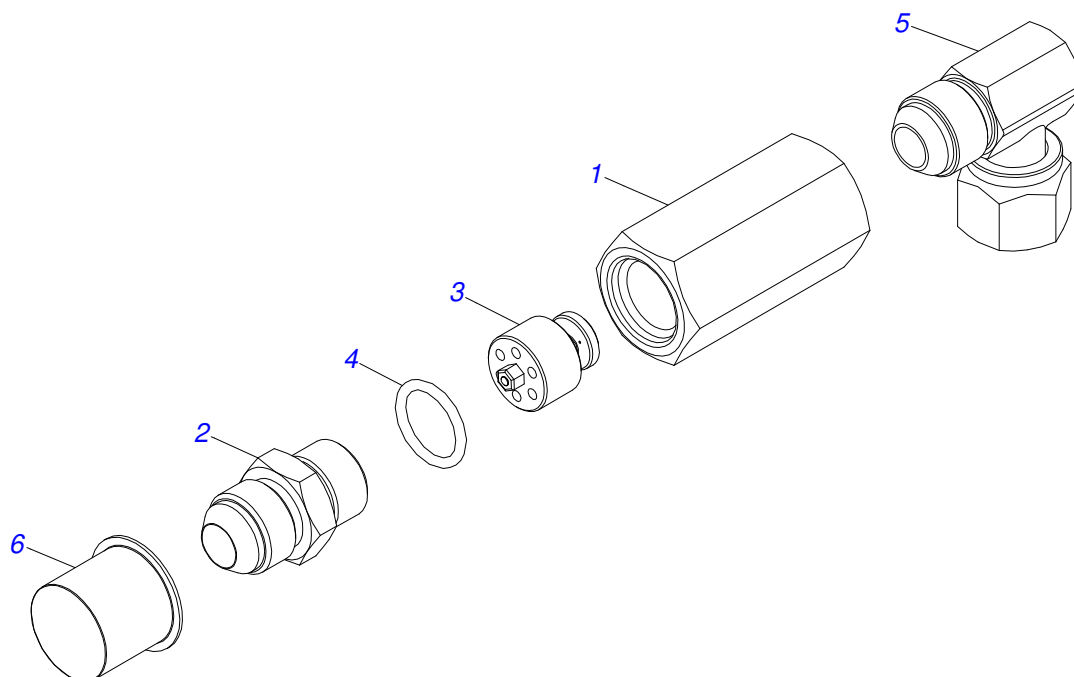


| Item | Code       | Description                | See page | QT |
|------|------------|----------------------------|----------|----|
| 01   | 0501080171 | HOSE                       |          | 01 |
| 02   | 0501080197 | HOSE                       |          | 01 |
| 03   | 0501080307 | 1/2" X 2150 TR-TR HOSE     |          | 01 |
| 04   | 0501080336 | 1/2" X 2450 TR-TR HOSE     |          | 01 |
| 05   | 0501081746 | HOSE 1/2 X 3200 TR-TM      |          | 02 |
| 06   | 0501081963 | HOSE                       |          | 02 |
| 07   | 0521051546 | HYDRAULIC CYLINDER         | 14       | 02 |
| 08   | 0521064869 | 7/8UNF JIC OIL DISTRIBUTOR |          | 01 |
| 09   | 0511057771 | R.7/8UNF - SAFETY VALVE    | 15       | 01 |

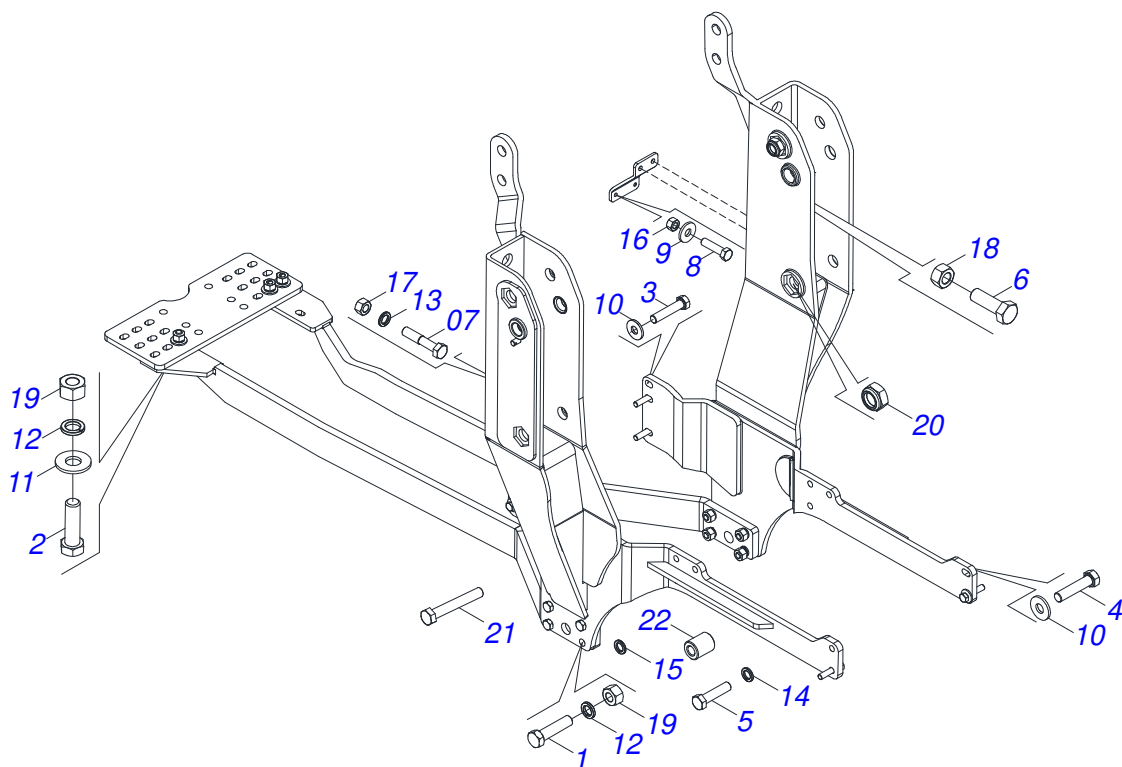


| Item | Code       | Description                        | See page | QT |
|------|------------|------------------------------------|----------|----|
| 001  | 0502012822 | 101.60 END CAP                     |          | 01 |
| 002  | 0502012842 | 50,80 X 101,60 PISTON              |          | 01 |
| 003  | 0503010817 | 1.1/4" SELF LOCKING NUT            |          | 01 |
| 004  | 0511071242 | CYLINDER CASE                      |          | 01 |
| 005  | 0503015633 | SELEMASTER SEALING                 |          | 01 |
| 006  | 0503018029 | 2-217 O'RING                       |          | 01 |
| 007  | 0503011061 | 8-342 BACK-UP RING                 |          | 02 |
| 008  | 0503010338 | 2-342 N 3006-9B O'RING             |          | 02 |
| 009  | 0503010039 | D-2000 SCRAPER RING                |          | 01 |
| 010  | 0503018026 | 1870-2000-375 B GASKET             |          | 01 |
| 011  | 0503018025 | RING GUIDE                         |          | 01 |
| 012  | 0502012821 | 50.80 X 101.60 RING SUPPORT        |          | 01 |
| 013  | 0503018024 | RING BS                            |          | 01 |
| 014  | 0503030387 | PLUG                               |          | 02 |
| 015  | 0521068050 | TURNBUCKLE                         |          | 01 |
| 016  | 0503010002 | 1800 GREASE FITTING                |          | 01 |
| 017  | 0511032211 | CYLINDER REPAIR KIT 50.80 X 101.60 |          |    |

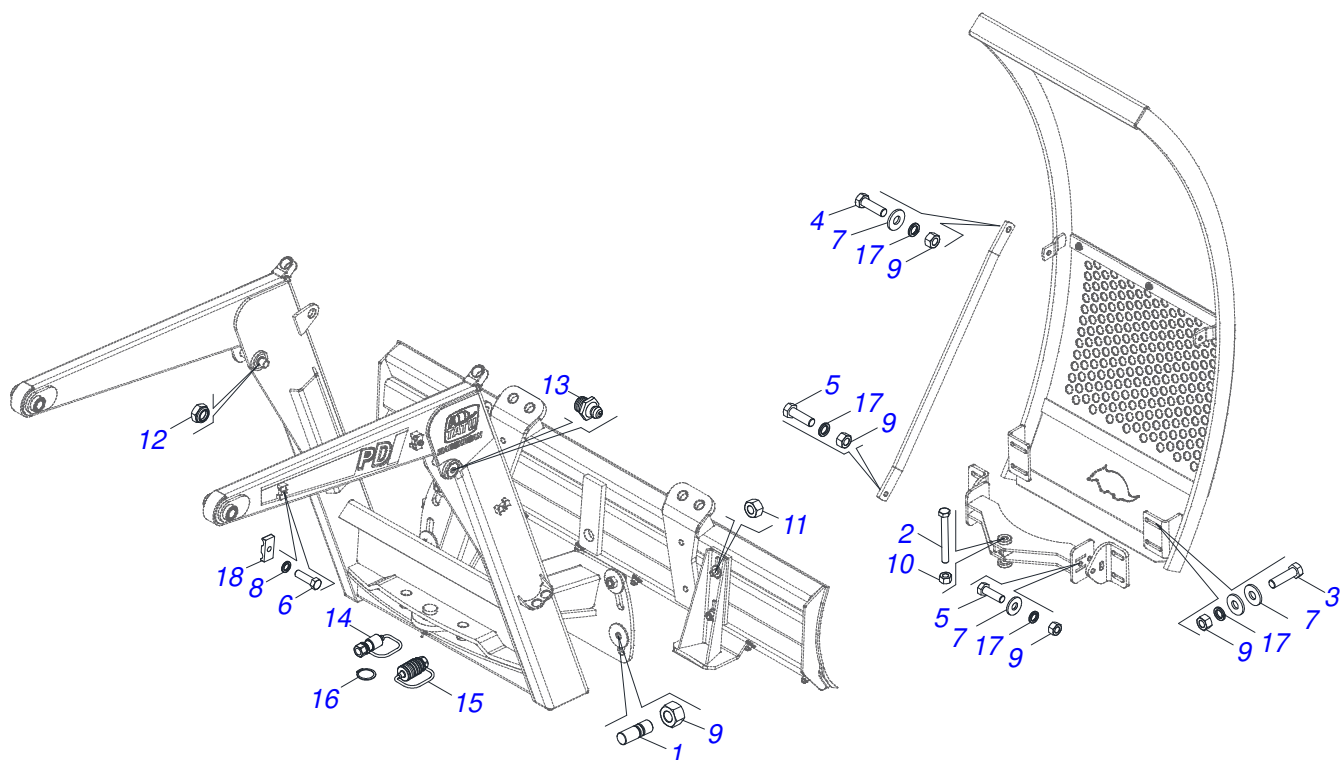




| Item | Code       | Description   | See page | QT |
|------|------------|---|----------|----|
| 01   | 0503018033 | 37 X R.7/8 UNF 90° JIC MALE CONNECTOR WITH ROTATING NUT |          | 01 |
| 02   | 0581014053 | 1/2 BSP X 7/8 UNF JIC X 64 ADAPTER                      |          | 01 |
| 03   | 0503016854 | VALVE ASSY  |          | 01 |
| 04   | 0503010045 | O'RING  |          | 01 |
| 05   | 0581014052 | 1/2 BSP X 7/8 UNF JIC X 43 NIPLE                        |          | 01 |
| 06   | 0503030387 | PLUG  |          | 01 |



| Item | Code       | Description                     | See page | QT |
|------|------------|---------------------------------|----------|----|
| 01   | 0501010500 | 3/4"X3"BOLT                     |          | 08 |
| 02   | 0503013390 | 3/4" UNC BOLT                   |          | 04 |
| 03   | 0503012693 | M16 X 2 X 75 BOLT               |          | 06 |
| 04   | 0503019419 | BOLT                            |          | 04 |
| 05   | 0503012573 | M16 X 2 X 65 BOLT               |          | 06 |
| 06   | 0501010063 | 1/2" X 1-1/2" BOLT              |          | 02 |
| 07   | 0503011172 | BOLT 1/2 UNC X 2.1/2 C S G.5 ZN |          | 01 |
| 08   | 0503010849 | 3/8" X 1-1/2" BOLT              |          | 02 |
| 09   | 0501010984 | FLAT WASHER                     |          | 02 |
| 10   | 0501012140 | FLAT WASHER                     |          | 10 |
| 11   | 0501010322 | FLAT WASHER                     |          | 04 |
| 12   | 0503010023 | 3/4" SPRING WASHER              |          | 08 |
| 13   | 0503010019 | 1/2" SPRING WASHER              |          | 01 |
| 14   | 0503010027 | 5/8" SPRING WASHER              |          | 04 |
| 15   | 0503010025 | 3/8" SPRING WASHER              |          | 02 |
| 16   | 0503010026 | 3/8" NUT                        |          | 02 |
| 17   | 0503010060 | 1/2" NUT                        |          | 01 |
| 18   | 0503011336 | 1/2" HEX SELF ADJUSTING NUT     |          | 02 |
| 19   | 0503010014 | 3/4" NUT                        |          | 04 |
| 20   | 0503010044 | 1-1/4" SELF LOCKING NUT         |          | 06 |
| 21   | 0503011084 | 3/4" X 5" BOLT                  |          | 04 |
| 22   | 0551018382 | SLEEVE                          |          | 01 |



| Item | Code       | Description                           | See page | QT |
|------|------------|---------------------------------------|----------|----|
| 01   | 0561016755 | PRISONER 1 UNC X 1 UNC X 76 ZN        |          | 04 |
| 02   | 0501011545 | 3/4" X 6-1/2" BOLT                    |          | 01 |
| 03   | 0503010899 | 5/8" X 2-1/4" BOLT                    |          | 04 |
| 04   | 0501010100 | SCREW 5/8 UNC X 2 CS G.5 ZN           |          | 02 |
| 05   | 0503011243 | 5/8" X 2" BOLT                        |          | 06 |
| 06   | 0503011135 | BOLT                                  |          | 03 |
| 07   | 0501012140 | FLAT WASHER                           |          | 06 |
| 08   | 0503010180 | 7/16" SPRING WASHER                   |          | 03 |
| 09   | 0503010013 | 5/8" NUT                              |          | 10 |
| 10   | 0503010014 | 3/4" NUT                              |          | 05 |
| 11   | 0501010059 | 1.5/8 NUT                             |          | 04 |
| 12   | 0503010044 | 1-1/4" SELF LOCKING NUT               |          | 02 |
| 13   | 0503010002 | 1800 GREASE FITTING                   |          | 02 |
| 14   | 0501053834 | MALE QUICK COUPLER WITH CAP - 1/2 NPT |          | 04 |
| 15   | 0501053835 | FEMALE QUICK COUPLER                  |          | 02 |
| 16   | 0503010217 | 501040 CLAMPING RING (FOR AXLE)       |          | 04 |
| 17   | 0503010027 | 5/8" SPRING WASHER                    |          | 10 |



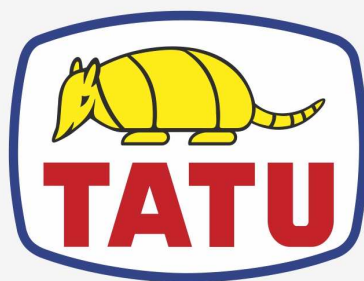
**MARCHESAN**



# **ANNOTATION**

Lined area for annotation with horizontal ruling lines.





**MARCHESAN**

**Technical Publications | Elaboration and Revision**

MARINA PEREZ NIZA

[www.marchesan.com.br](http://www.marchesan.com.br)

