

ROTARY CUTTERS

RCA2E 3600

Code: 0501092638
Series: S-0819
Revision: 00
Date Revision: FEVEREIRO/2022

PARTS CATALOGUE



MARCHESAN



PRODUCTS

Code	Description
0104120084C	RCA2/E 3600 C/PROT CORR EXP S-0819
0104120084	RCA2/E 3600 C/PROT CORR S-0819

ATTENTION: IMPORTANT

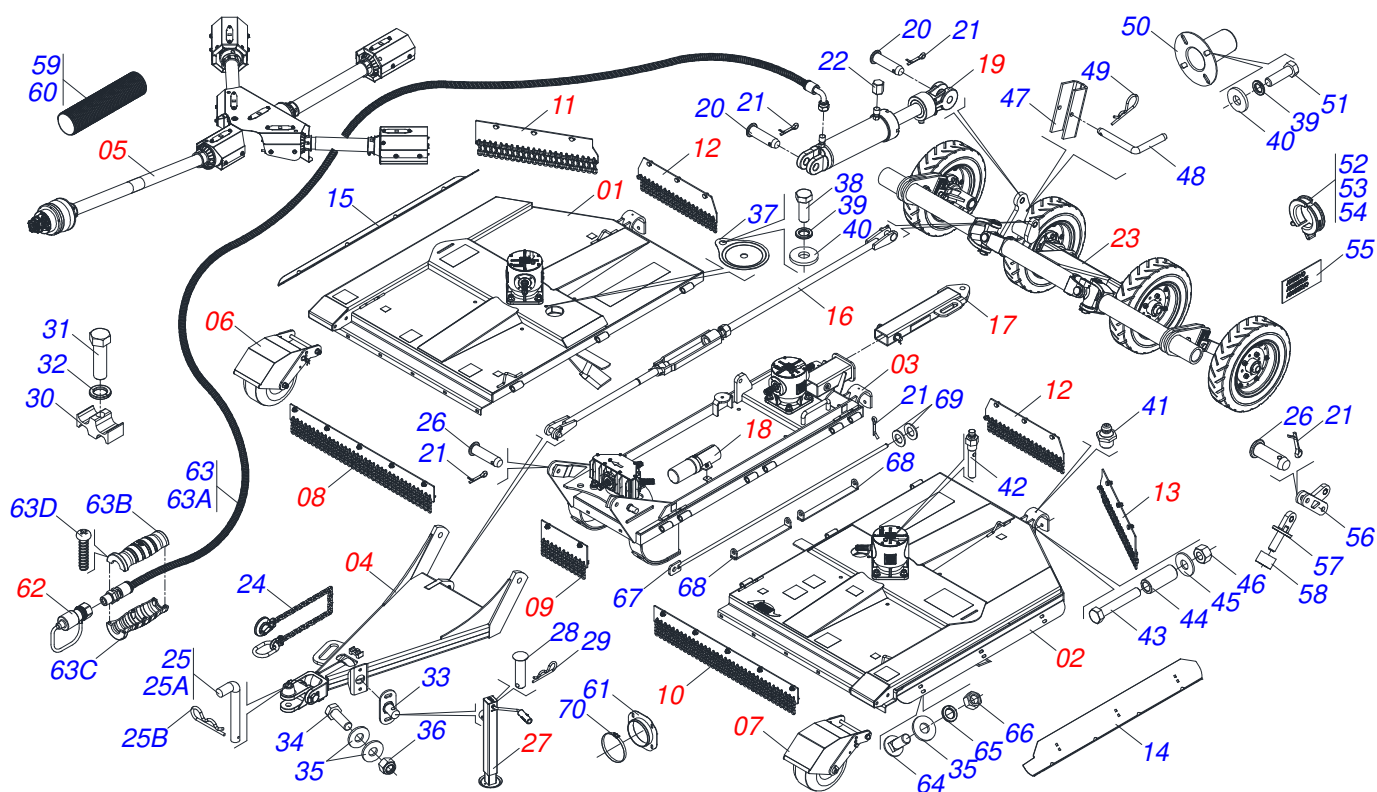
Marchesan S.A. reserves the right to improve and/or modify the technical features of its products, without obligation to do the same with those products already sold and without prior knowledge of the dealer or the consumer. The photos are only illustrative.



MARCHESAN

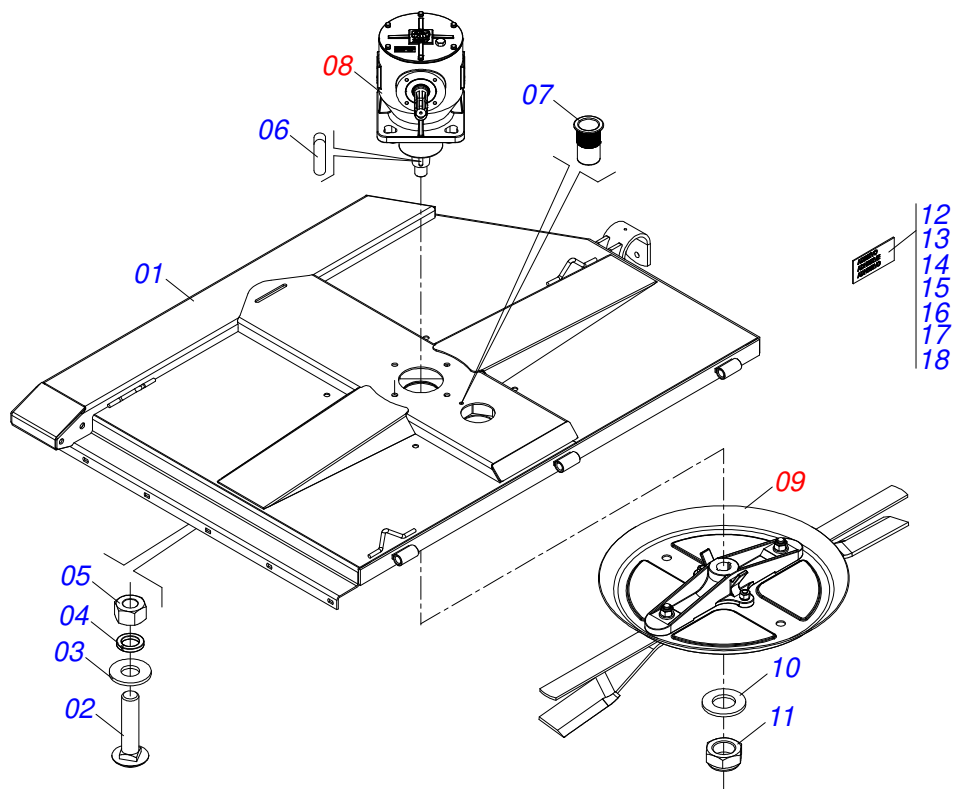
INDEX

0521049753	ASSY FRAME	1
0521057162	RIGHT SIDE SEMI-ASSEMBLED FRAME	2
0503063075	MULTIPLIER	3
0521055681	SUPPORT (540) WITH CUTTER / DEFLECTOR / DRAGGER RIGHT	4
0521057163	FRAME SEMI MOUNTED SIDE LEFT	5
0503063020	MULTIPLIER	6
0521055682	SUPPORT (540) WITH CUTTER / DEFLECTOR / DRAGGER LEFT	7
0521057077	ASSY CENTRAL FRAME	8
0501044074	TRIPE DISTRIBUTOR	9
0503063021	MULTIPLIER TRANSMITTER (1.3 / 8)	10
0501053006	HEAD WITH TRACTOR HITCH	11
0909098736	CARDAN COMPLETE ASSY	12
0501049129	DRIVE SHAFT	13
0511040198	DRIVE SHAFT	14
0909098741	CARDAN PROTECTIVE COVERS ASSY	15
0511044473	FRONT WHEEL RIGHT WITH ASSY PROTECTION	16
0511048551	RIGHT FRONT WHEEL WITH FULL PROTECTION	17
0521057083	RIGHT FRONT CURRENT PROTECTION (1290)	18
0521057085	FRONT CENTRAL CURRENT PROTECTION (410)	19
0521057084	LEFT FRONT CURRENT PROTECTION (1290)	20
0521057086	RIGHT REAR CURRENT PROTECTION (806)	21
0521057087	REAR CURRENT PROTECTION (700)	22
0521057436	LEFT REAR CURRENT PROTECTION (806)	23
0909098737	ROD ASSY STABILITY	24
0909098738	ASSY REAR HITCH	25
0521057173	MANUAL CANISTER ASSY	26
0511058441	HYDRAULIC CYLINDER 44,45 X 85,70 X 540 X 179	27
0909098739	ASSY WHEEL	28
0521057107	WHEEL WITHOUT TIRE	29
0501043559	SEGMENTED WHEEL 525	30
0503063227	WHEEL WITH PNEUMATIC TIRE	31
0521059301	WHEEL WITHOUT TIRE	32
0501053834	MALE QUICK COUPLER	33

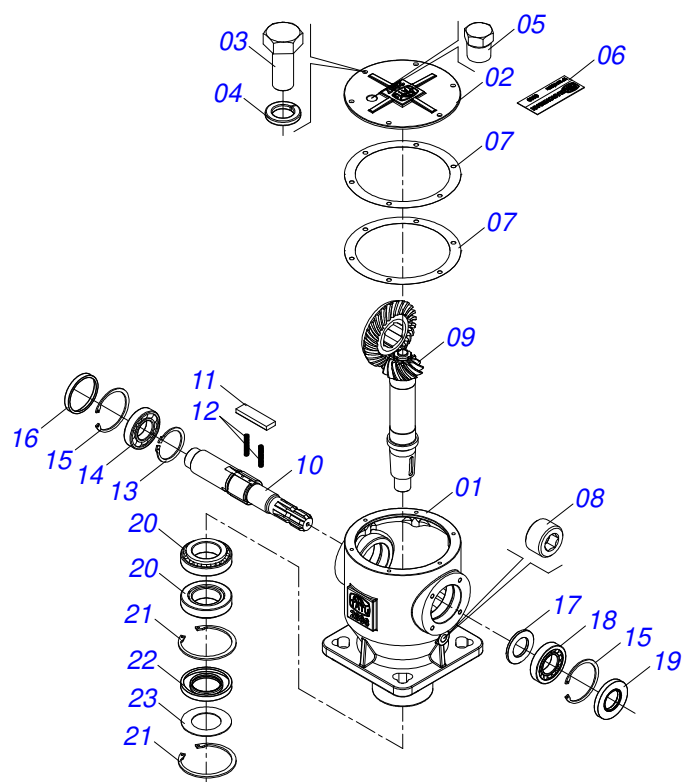


Item	Code	Description	See page	QT
01	0521057162	RIGHT SIDE SEMI-ASSEMBLED FRAME	2	01
02	0521057163	FRAME SEMI MOUNTED SIDE LEFT	5	01
03	0521057077	ASSY CENTRAL FRAME	8	01
04	0501053006	HEAD WITH TRACTOR HITCH	11	01
05	0909098736	CARDAN COMPLETE ASSY	12	01
06	0511044473	FRONT WHEEL RIGHT WITH ASSY PROTECTION	16	01
07	0511048551	RIGHT FRONT WHEEL WITH FULL PROTECTION	17	01
08	0521057083	RIGHT FRONT CURRENT PROTECTION (1290)	18	01
09	0521057085	FRONT CENTRAL CURRENT PROTECTION (410)	19	01
10	0521057084	LEFT FRONT CURRENT PROTECTION (1290)	20	01
11	0521057086	RIGHT REAR CURRENT PROTECTION (806)	21	01
12	0521057087	REAR CURRENT PROTECTION (700)	22	02
13	0521057436	LEFT REAR CURRENT PROTECTION (806)	23	01
14	0591012024	LEFT SIDE PROTECTION		01
15	0591012023	RIGHT SIDE PROTECTION		01
16	0909098737	ROD ASSY STABILITY	24	01
17	0909098738	ASSY REAR HITCH	25	01
18	0521057173	MANUAL CANISTER ASSY	26	01
19	0511058441	HYDRAULIC CYLINDER 44,45 X 85,70 X 540 X 179	27	01
20	0521010575	C0.9" X 3.3" COUPLING SHAFT		02
21	0503010571	1/4" X 1.1/2 COTTERPIN		07
22	0511017628	BREATHING HOLE OF THE CYLINDER HIDR		01
23	0909098739	ASSY WHEEL	28	01
24	0503019567	SECURITY CHAIN 1300 X 5/16 WITH HOOK / RING		01
25	0501040343	DRAWBOLT ASSY		01
25A	0521010453	AXI SHAFT		01
25B	0503031035	HITCH PIN CLIP		01
26	0521010572	0.9" X 2.9" COUPLING SHAFT		04
27	0503062157	HEADER JACK		01
28	0521010549	COUPLING SHAFT		01
29	0503030168	HITCH PIN CLIP		01

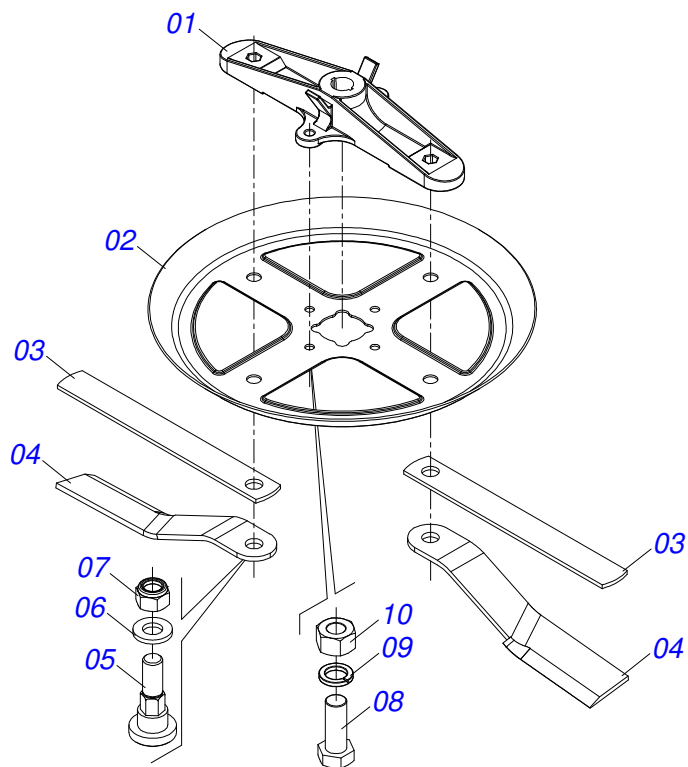
Item	Code	Description	See page	QT
30	0502012702	BODY SUPPORT CLAMP		01
31	0503012555	SCREW 7/16 UNC X 2 CS RT G.7 ZN		01
32	0503010180	7/16" SPRING WASHER		01
33	0531060493	MOBILE FIXING FLANGE MONO		01
34	0503010920	1/2" X 1.1/2" BOLT		02
35	0511017302	FLAT WASHER		16
36	0503010589	1/2" UNC SELF ADJUSTING NUT		14
37	0591012025	ACCESS COVER		02
38	0503010237	3/8" X 1" BOLT		24
39	0503010025	3/8" SPRING WASHER		26
40	0501010984	FLAT WASHER 10,50 X 27 X 3,00 ZN		52
41	0503010002	1800 GREASE FITTING		03
42	0501110186	OIL SMALLER LEVEL INDICATOR		03
43	0501011545	3/4" X 6-1/2" BOLT		04
44	0511017147	0.8" X 1.2" X 4.1" BUSHING		04
45	0501010322	FLAT WASHER		08
46	0503011075	3/4" UNC NUT		08
47	0521014258	LOCK BOLT		01
48	0541016844	FIXER LOCK		01
49	0503030285	HITCH PIN CLIP		01
50	0503034005	COVER PROTECTION FOR SHAFT		01
51	0503010751	C3/8" X 1.1/4" HEX BOLT G.5		08
52	0501047895	ROD STOP		03
53	0501047887	ROD STOP		01
54	0501047885	ROD STOP		01
55	0503031087	ADHESIVE LABEL		01
56	0501111045	SHOCK ABSORBER ARTICULATOR WITH GLOVE		01
57	0501111046	SHOCK ABSORBER GUIDE WITH GLOVE		01
58	0591015242	SHOCK ABSORBER CHASSIS		01
59	0501212037	HOSE		01
60	0501212036	HOSE		02
61	0531062987	PROTECTION HOSE COUPLING		07
62	0501053834	MALE QUICK COUPLER	33	01
63	0521056919	3/8 X 4300 TC-TM HOSE BLACK / RED		01
63A	0501080446	3/8 X" 169" TC-TM HOSE ASSY		01
63B	0503034492	HYDRAULIC HOSE GRIP (BLACK)		01
63C	0503034495	HYDRAULIC HOSE GRIP (RED)		01
63D	0503018952	PLASTIC BOLT		06
64	0503014734	BOLT		12
65	0503010019	1/2" SPRING WASHER		12
66	0503012682	1/2" BSW NUT		12
67	0531060456	ROD FRAME UNION		02
68	0521067639	FRAME PROTECTION		04
69	0501011445	FLAT WASHER		04
70	0513010403	CLAMP		07



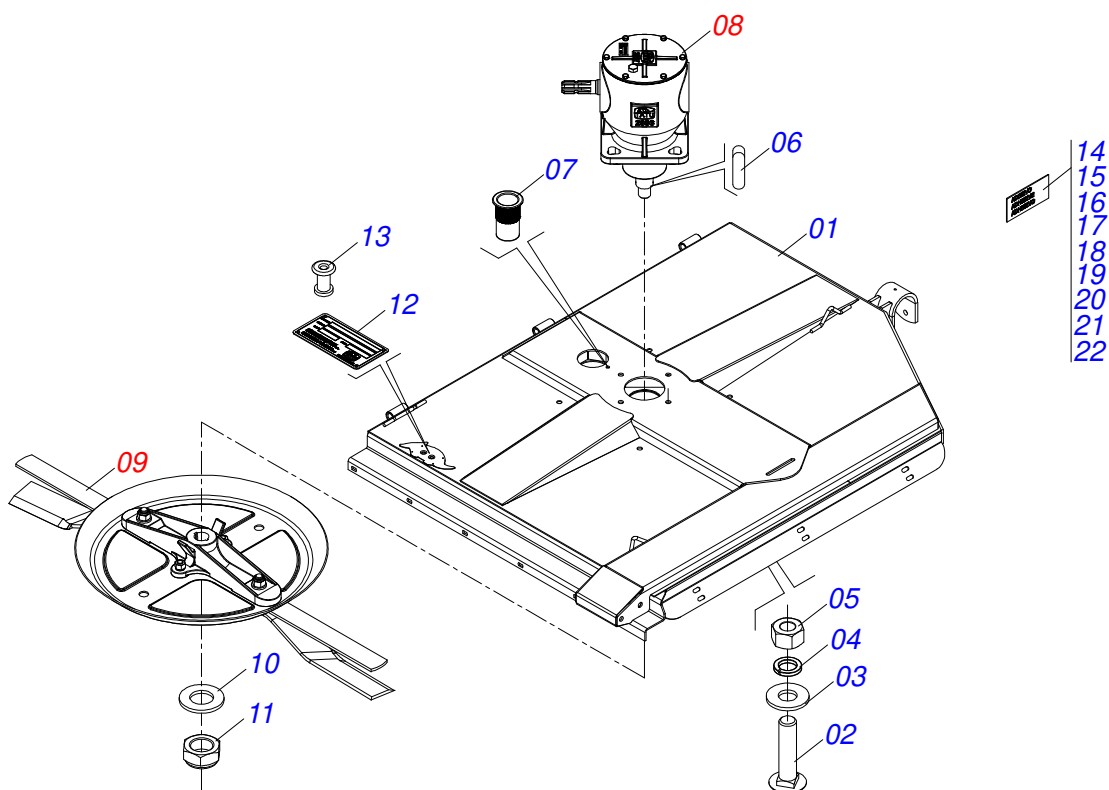
Item	Code	Description	See page	QT
01	0531060455	RIGHT SIDE FRAME		01
02	0503017867	SCREW 3/4 UNC X 4.1/2 CAPQ G.7 ZN		04
03	0501010322	FLAT WASHER		04
04	0503011442	3/4" SPRING WASHER		04
05	0503010014	3/4" NUT		04
06	0501010536	KEYWAY SQUARE		02
07	0503019413	THREAD SCREW INTERNAL		01
08	0503063075	MULTIPLIER	3	01
09	0521055681	SUPPORT (540) WITH CUTTER / DEFLECTOR / 4 DRAGGER RIGHT		01
10	0501017779	32 X 60 X 4.75 FLAT WASHER		01
11	0503010044	1-1/4" SELF LOCKING NUT		01
12	0503034333	ADHESIVE LABEL		01
13	0503034078	LIFTING POINTS DECAL		03
14	0503032060	ADHESIVE LABEL		01
15	0503031929	ADHESIVE LABEL		01
16	0503031428	READ MANUAL DECAL		01
17	0503031427	ADHESIVE LABEL		01
18	0503031127	ADHESIVE LABEL		01



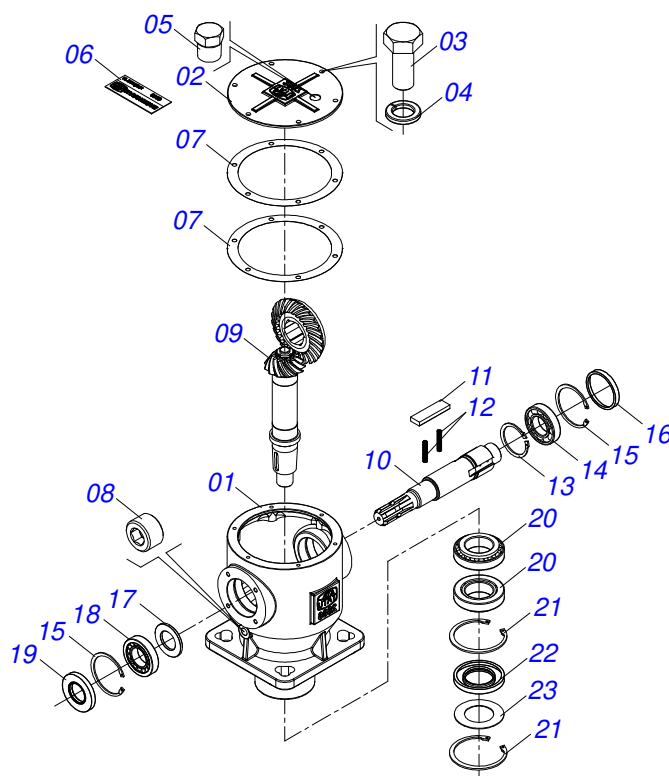
Item	Code	Description	See page	QT
01	0502012886	SINGLE BODY MULTIPLIER BOX		01
02	0502012887	SINGLE BODY MULTIPLIER COVER		01
03	0503010240	BOLT		06
04	0503011444	SPRING WASHER		06
05	0503031604	1/2" BSP PLUG		01
06	0503034951	IDENTIFICATION PLATE		01
07	0503034254	SEAL JOINT 221.5 X 180 X 0.20 - MULTIPLICATOR		02
08	0503012151	3/8" BSP PLUG		01
09	0503063076	CROWN / PINION ASSY		01
10	0503034948	AXIS SUPERIOR MULTIPLIER		01
11	0503018042	COTTER		03
12	0503030051	0.2" X 1" X 0.1" COMPRESSION SPRING		06
13	0503010372	501050 CLAMPING RING (FOR AXLE)		01
14	0503011095	6208 BALL BEARING		01
15	0503011100	502080 CLAMPING RING (FOR AXLE)		02
16	0503018039	RETAINER COVER 6735 NR ARK 80 X 10		01
17	0571019967	WASHER 40.4 X 70 X 5.00		01
18	0503010360	30208 ROLLER BEARING		01
19	0503018041	RETAINER 6882 ARCA 40 X 80 X 10 BRG		01
20	0503010006	32210 ROLLER BEARING		02
21	0503011190	SEAL RING		02
22	0503018040	RETAINER 5140 ARCA 50 X 90 X 10 BRG		01
23	0571019968	WASHER 52 X 88 X 1.50		01
24	3402301247	MINERAL OIL GREASE		03Lts



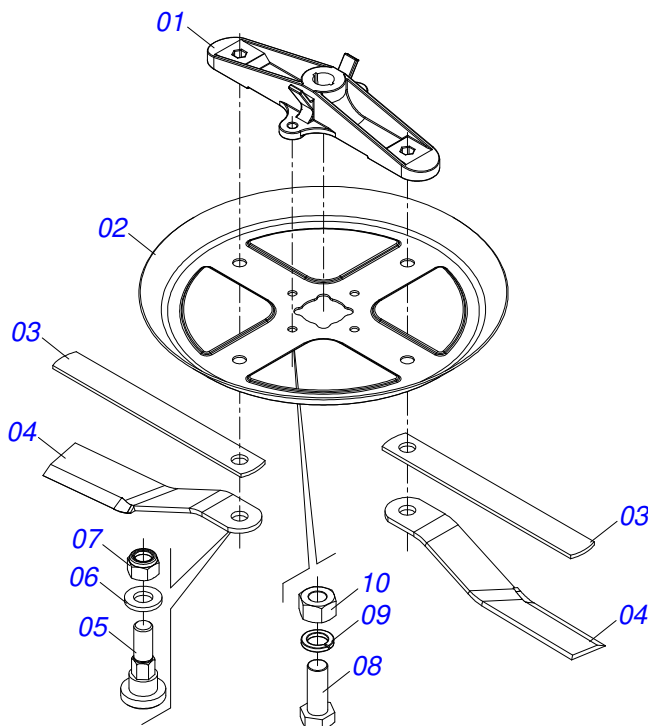
Item	Code	Description	See page	QT
01	0502012276	ROTARY SUPPORT		01
02	0591010132	SUPPORT DEFLECTOR (540)		01
03	0531015055	620 FOLLOWER		02
04	0622400055	RH 24"X4"X0,5" ROTARY CUTTER BLADES		02
05	0541014286	FASTERNER ROCADORES		02
06	0501016545	FLAT WASHER		02
07	0503010063	1" SELF-ALIGNING NUT		02
08	0501010098	3/4" UNC BOLT		02
09	0503011442	3/4" SPRING WASHER		02
10	0503010014	3/4" NUT		02



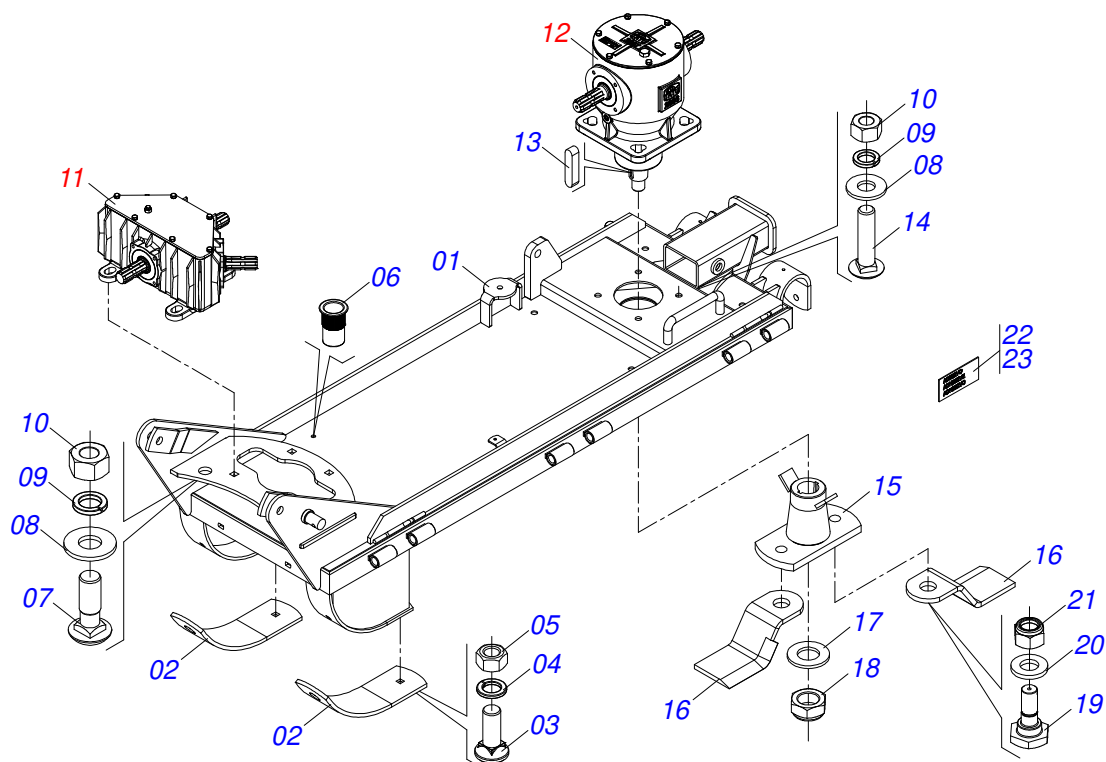
Item	Code	Description	See page	QT
01	0531060457	LEFT SIDE FRAME		01
02	0503017867	SCREW 3/4 UNC X 4.1/2 CAPQ G.7 ZN		04
03	0501010322	FLAT WASHER		04
04	0503011442	3/4" SPRING WASHER		04
05	0503010014	3/4" NUT		04
06	0501010536	KEYWAY SQUARE		02
07	0503019413	THREAD SCREW INTERNAL		01
08	0503063020	MULTIPLIER	6	01
09	0521055682	SUPPORT (540) WITH CUTTER / DEFLECTOR / 7 DRAGGER LEFT		01
10	0501017779	32 X 60 X 4.75 FLAT WASHER		01
11	0503010044	1-1/4" SELF LOCKING NUT		01
12	0503034003	SERIAL NUMBER TAG 61 X 118		01
13	0503010001	3.2 X 5.5 RIVET		04
14	0503034499	HOSE IDENTIFICATION DECAL		01
15	0503034078	LIFTING POINTS DECAL		03
16	0503032949	ADHESIVE LABEL		01
17	0503032534	ADHESIVE LABEL		01
18	0503032060	ADHESIVE LABEL		01
19	0503031932	ADHESIVE LABEL		01
20	0503031930	ADHESIVE LABEL		01
21	0503031127	ADHESIVE LABEL		01
22	0503034947	ADHESIVE LABEL		01



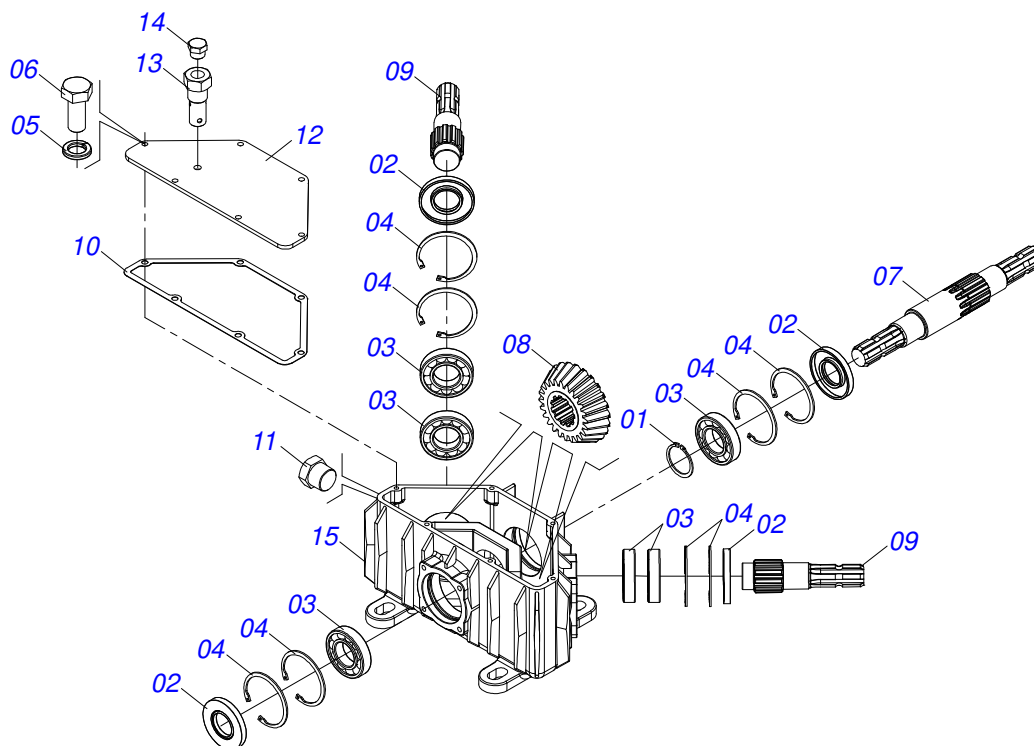
Item	Code	Description	See page	QT
01	0502012886	SINGLE BODY MULTIPLIER BOX		01
02	0502012887	SINGLE BODY MULTIPLIER COVER		01
03	0503010240	BOLT		06
04	0503011444	SPRING WASHER		06
05	0503031604	1/2" BSP PLUG		01
06	0503034951	IDENTIFICATION PLATE		01
07	0503034254	SEAL JOINT 221.5 X 180 X 0.20 - MULTIPLICATOR		02
08	0503012151	3/8" BSP PLUG		01
09	0503063018	CROWN / PINION ASSY 13Z / 25Z		01
10	0503034949	TOP MULTIPLIER AXIS		01
11	0503018042	COTTER		03
12	0503030051	0.2" X 1" X 0.1" COMPRESSION SPRING		06
13	0503010372	501050 CLAMPING RING (FOR AXLE)		01
14	0503011095	6208 BALL BEARING		01
15	0503011100	502080 CLAMPING RING (FOR AXLE)		02
16	0503018039	RETAINER COVER 6735 NR ARK 80 X 10		01
17	0571019967	WASHER 40.4 X 70 X 5.00		01
18	0503010360	30208 ROLLER BEARING		01
19	0503018041	RETAINER 6882 ARCA 40 X 80 X 10 BRG		01
20	0503010006	32210 ROLLER BEARING		02
21	0503011190	SEAL RING		02
22	0503018040	RETAINER 5140 ARCA 50 X 90 X 10 BRG		01
23	0571019968	WASHER 52 X 88 X 1.50		01
24	3402301247	MINERAL OIL GREASE		03Lts



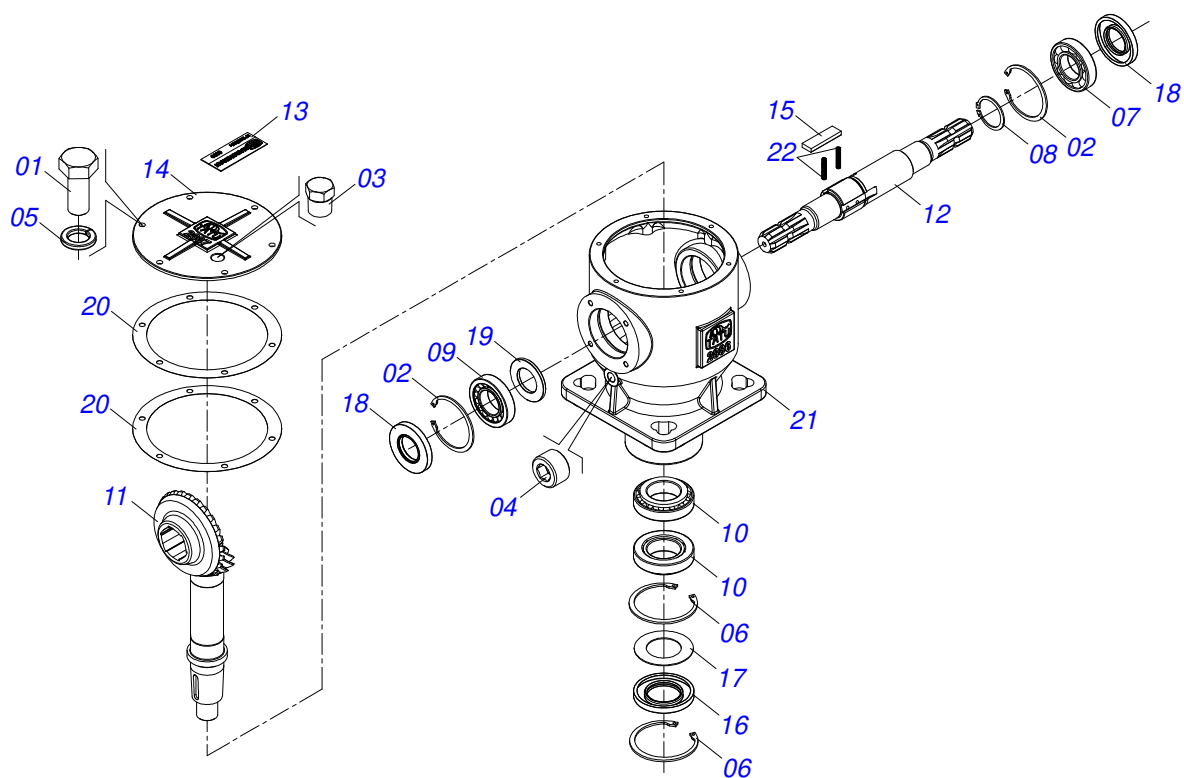
Item	Code	Description	See page	QT
01	0502012276	ROTARY SUPPORT		01
02	0591010132	SUPPORT DEFLECTOR (540)		01
03	0531015055	620 FOLLOWER		02
04	0622400056	24"X4"X0,5" LEFT ROTARY CUT BLADES		02
05	0541014286	FASTERNER ROCADORES		02
06	0501016545	FLAT WASHER		02
07	0503010063	1" SELF-ALIGNING NUT		02
08	0501010098	3/4" UNC BOLT		02
09	0503011442	3/4" SPRING WASHER		02
10	0503010014	3/4" NUT		02



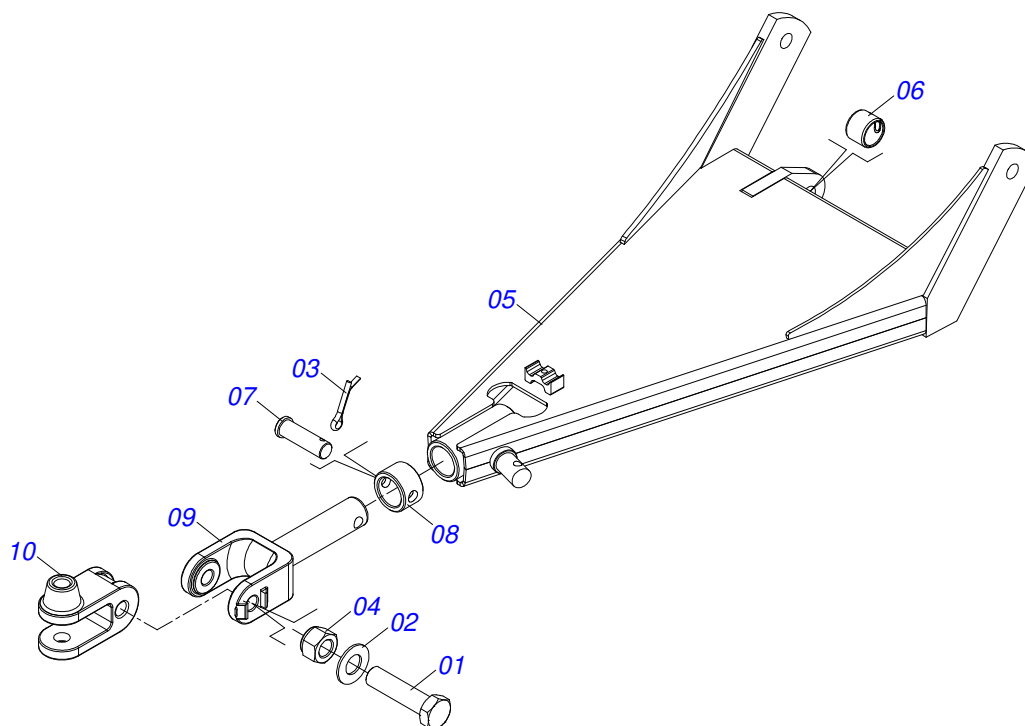
Item	Code	Description	See page	QT
01	0531060452	CENTRAL FRAME		01
02	0521018988	SKID MIDDLE GUIDE		02
03	0503012956	1/2" X 1-1/2" BOLT		04
04	0503010019	1/2" SPRING WASHER		04
05	0503012682	1/2" BSW NUT		04
06	0503019416	RIVET SCREW THREAD INTERNAL		02
07	0501017305	3/4" X 2-1/4" BOLT		04
08	0501010322	FLAT WASHER		08
09	0503011442	3/4" SPRING WASHER		08
10	0503010014	3/4" NUT		08
11	0501044074	TRIPLE DISTRIBUTOR	9	01
12	0503063021	MULTIPLIER TRANSMITTER (1.3 / 8)	10	01
13	0501010536	KEYWAY SQUARE		02
14	0503017867	SCREW 3/4 UNC X 4.1/2 CAPQ G.7 ZN		04
15	0531060449	CENTRAL FLANGE SUPPORT		01
16	0622400041	BRUSHCUTTER DM 240 X 100 X 12		02
17	0501017779	32 X 60 X 4.75 FLAT WASHER		01
18	0503010044	1-1/4" SELF LOCKING NUT		01
19	0591011962	CENTRAL SCRAPER FIXER		02
20	0501016545	FLAT WASHER		02
21	0503010063	1" SELF-ALIGNING NUT		02
22	0503034078	LIFTING POINTS DECAL		04
23	0503031127	ADHESIVE LABEL		02



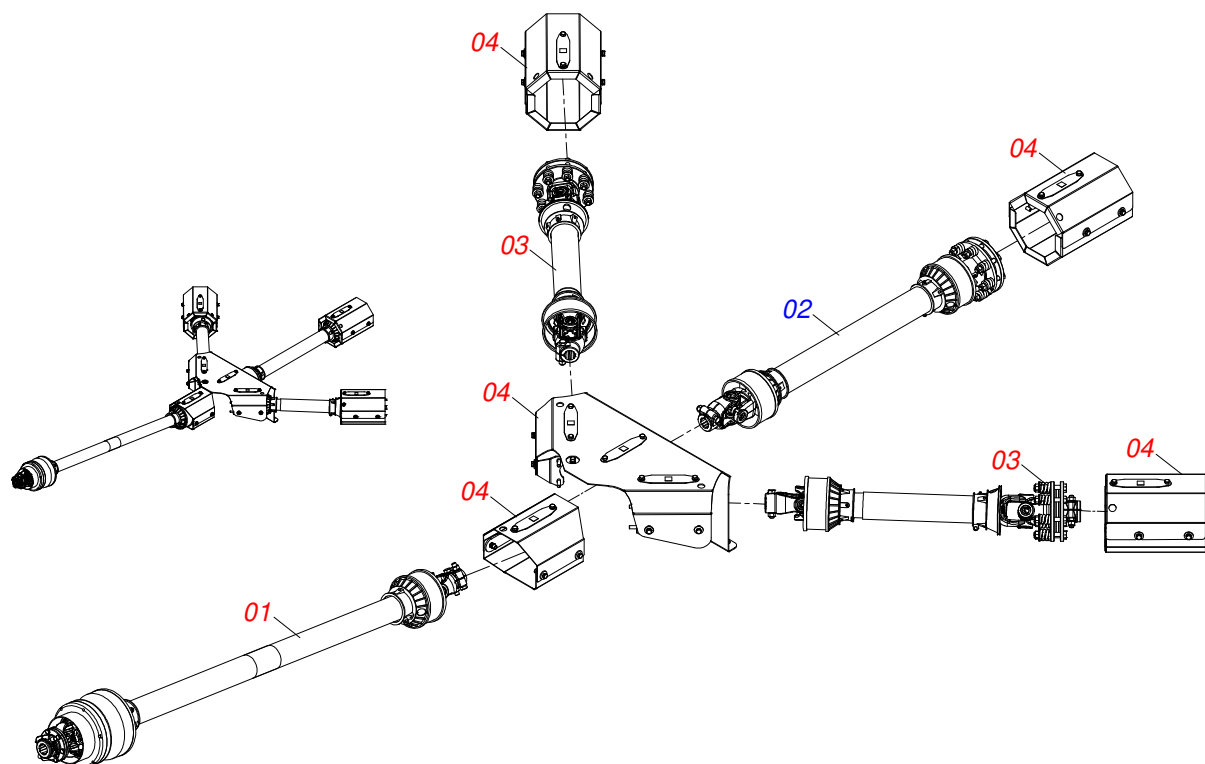
Item	Code	Description	See page	QT
01	0503010372	501050 CLAMPING RING (FOR AXLE)		01
02	0503010818	02675-BRG SEAL		04
03	0503011095	6208 BALL BEARING		06
04	0503011100	502080 CLAMPING RING (FOR AXLE)		08
05	0503011444	SPRING WASHER		06
06	0503010240	BOLT		06
07	0503030631	CENTRAL AXLE		01
08	0503030632	24Z CONICAL GEAR		03
09	0503030633	SIDE AXLE		02
10	0503030656	13.9" X 6.1" X 0.03" JOINT		01
11	0503010856	OIL PLUG		01
12	0511011206	BOX COVER		01
13	0511013020	1.49" BREATHING HOLE		01
14	0511017907	1/8" BSPT X 6 PLUG		01
15	0502010861	DISTRIBUTOR BOX		01
16	3402301247	MINERAL OIL GREASE		02Lts



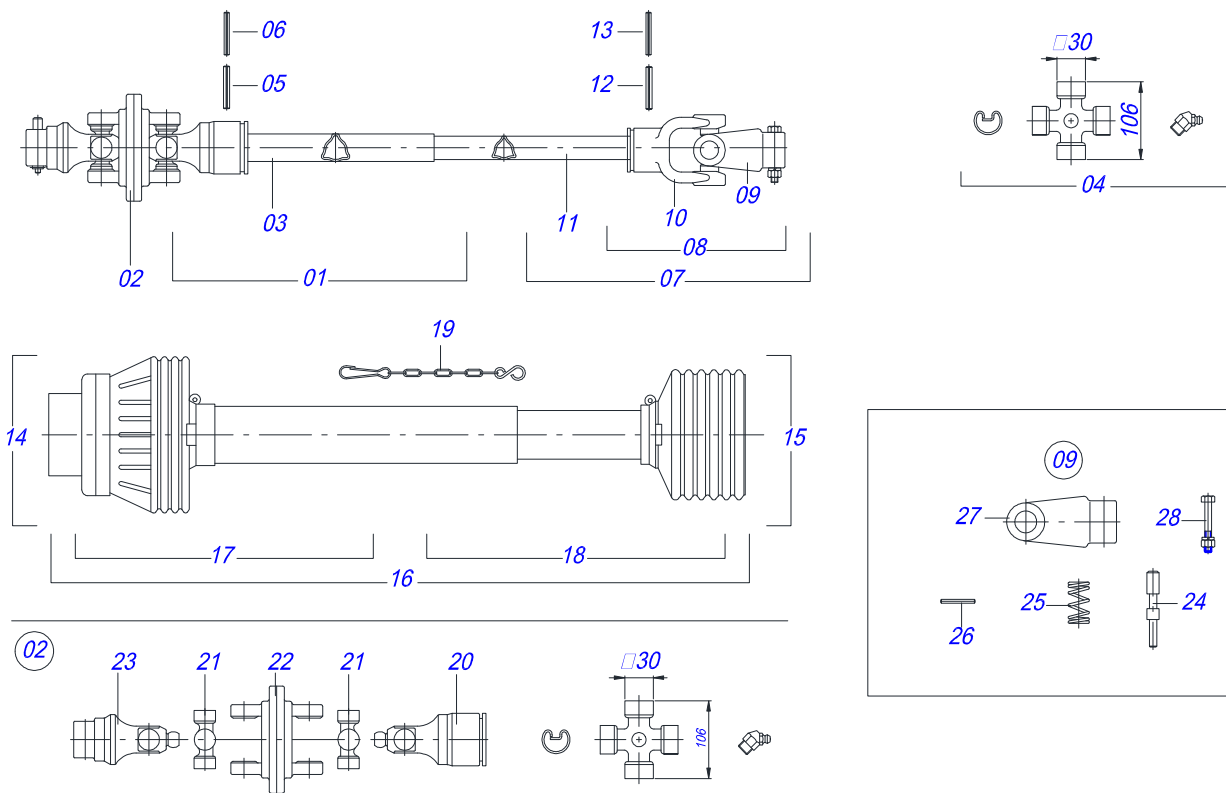
Item	Code	Description	See page	QT
01	0503010240	BOLT		06
02	0503011100	502080 CLAMPING RING (FOR AXLE)		02
03	0503031604	1/2" BSP PLUG		01
04	0503012151	3/8" BSP PLUG		01
05	0503011444	SPRING WASHER		06
06	0503011190	SEAL RING		02
07	0503011095	6208 BALL BEARING		01
08	0503010372	501050 CLAMPING RING (FOR AXLE)		01
09	0503010360	30208 ROLLER BEARING		01
10	0503010006	32210 ROLLER BEARING		02
11	0503063018	CROWN / PINION ASSY 13Z / 25Z		01
12	0503034950	TOP MULTIPLIER / TRANSMITTER AXLE		01
13	0503034951	IDENTIFICATION PLATE		01
14	0502012887	SINGLE BODY MULTIPLIER COVER		01
15	0503018042	COTTER		03
16	0503018040	RETAINER 5140 ARCA 50 X 90 X 10 BRG		01
17	0571019968	WASHER 52 X 88 X 1.50		01
18	0503018041	RETAINER 6882 ARCA 40 X 80 X 10 BRG		02
19	0571019967	WASHER 40.4 X 70 X 5.00		01
20	0503034254	SEAL JOINT 221.5 X 180 X 0.20 - MULTIPLICATOR		02
21	0502012886	SINGLE BODY MULTIPLIER BOX		01
22	0503030051	0.2" X 1" X 0.1" COMPRESSION SPRING		06
23	3402301247	MINERAL OIL GREASE		03Lts



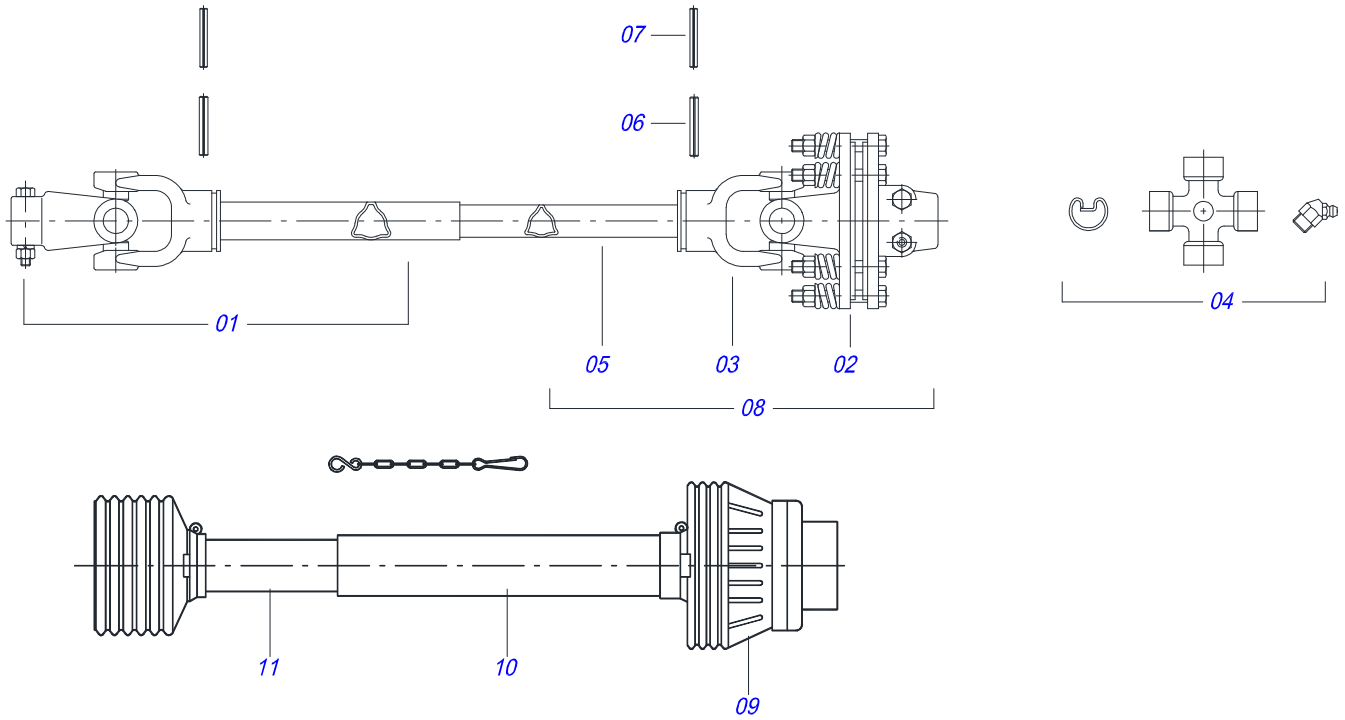
Item	Code	Description	See page	QT
01	0501010060	1" X 6-1/2" BOLT		01
02	0501810623	27 X 53 X 3.00 FLAT WASHER		01
03	0503010571	1/4" X 1.1/2 COTTERPIN		01
04	0503018754	1-8 UNC NUT		01
05	0511062049	DRAWBAR		01
06	0511019921	1.3" X 0.1" X 1" SLEEVE		01
07	0521010639	COUPLING SHAFT		01
08	0521010681	BUSHING COUPLING BODY		01
09	1902040923	ROTATING HITCH		01
10	1902040921	U HITCH TRACTOR		01



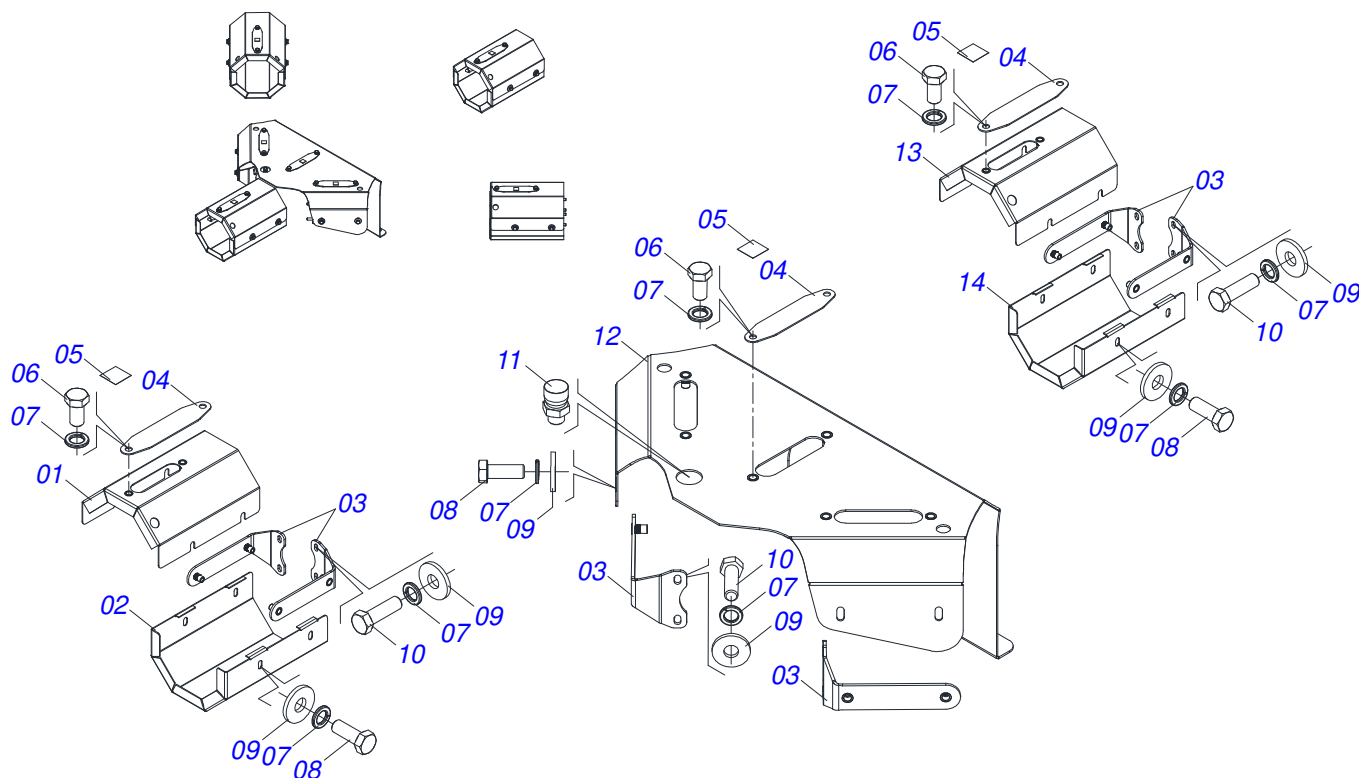
Item	Code	Description	See page	QT
01	0501049129	DRIVE SHAFT	13	01
02	0503063024	ASSY CARDAN WITH PROTECTION		01
03	0511040198	DRIVE SHAFT	14	02
04	0909098741	CARDAN PROTECTIVE COVERS ASSY	15	01



Item	Code	Description	See page	QT
01	0501052544	HOMO JOINT WITH FEMALE BUSHING		01
02	0501052518	HOMOCINETIC JOINT ASSY		01
03	0503012618	2.1" X 2.0" X 31" TRIAN FEMALE TUB		01
04	0503010837	CARDAN CROSSPIECE		01
05	0503010843	0.4" X 3.3" SPRING PIN		01
06	0503011878	0.2" X 3.3" SPRING PIN		01
07	0501052545	UNIVERSAL JOINT WITH CROSS/SHAFT		01
08	0501052546	UNIVERSAL JOINT		01
09	0501052516	T6-60 TERMINAL WITH SCREW		01
10	0503012600	T3-60/CI52 TERMINAL		01
11	0503012619	1.8" X 1.7" X 31" TRIAN MALE TUB		01
12	0503011069	0.4" X 2.8" SPRING PIN		01
13	0503011805	0.2" X 2.8" SPRING PIN		01
14	0501052548	HOMO JOINT WITH PROT FEMALE BUSHING		01
15	0501052549	UNIVERSAL JOINT WITH SHAFT/PROT		01
16	0503012620	PROTECTION ASSY		01
17	0503012621	PROTECTION FOR HOMO JOINT AND SLEEV		01
18	0503012076	PROTECTION FOR UNIV JOINT AND AXLE		01
19	0503012023	CHAIN FOR PROTECTION		01
20	0503012604	HOMO TERMINAL W/ FEMALE BUSHING		01
21	0503012605	CROSSPIECE		02
22	0503012606	CENTER BODY		01
23	0503012607	TRACTOR HOMOCINETIC TERMINAL		01
24	0503037375	PIN QUICK COUPLING		02
25	0503030518	0.5"X1.0"X 0.1" COMPRESSION SPRING		02
26	0503010838	0.1" X 0.8" SPRING PIN		02
27	0502010830	6-60 STRIATED 1.3/8" TERMINAL		01
28	0501047756	1/2" X 3" SET PARTS		02

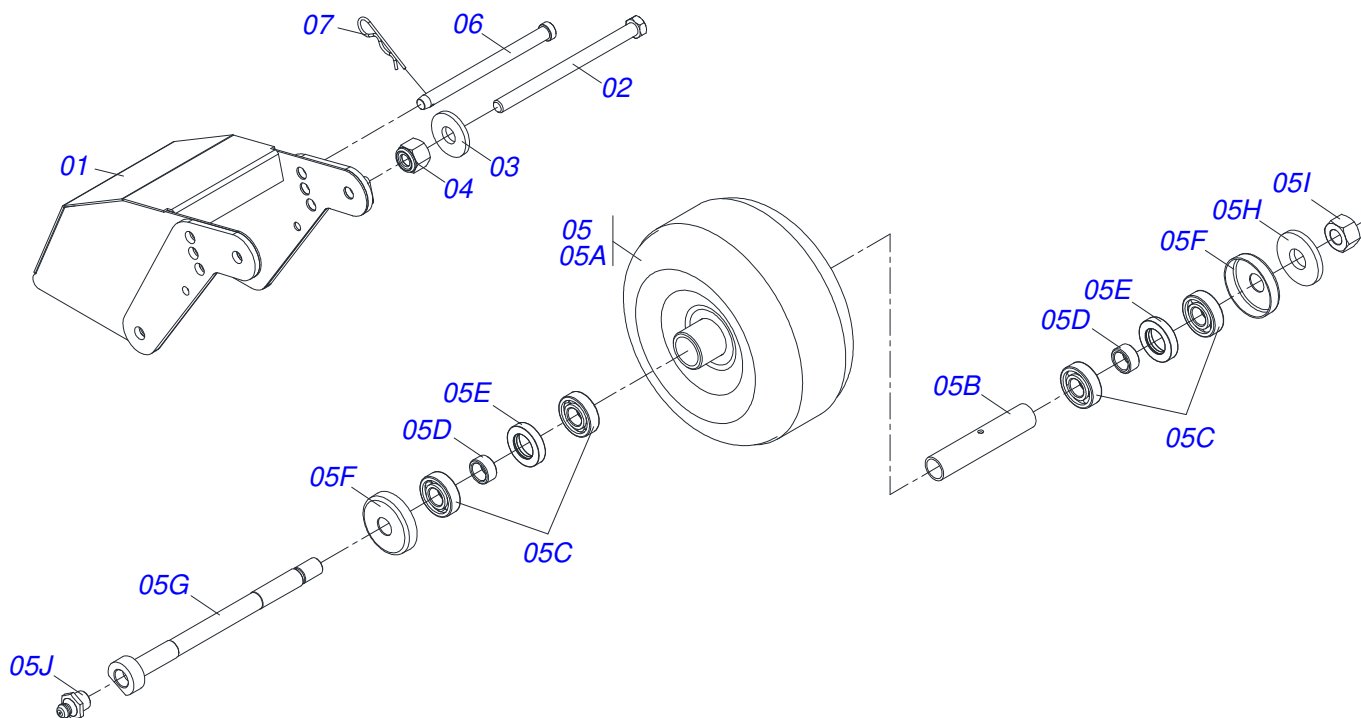


Item	Code	Description	See page
01	0503013279	FEMALE CARDAN	01
02	0501047953	90 KGM FRICTION	01
03	0503013187	TERMINAL	01
04	0503013260	CROSSPIECE	01
05	0503013261	MALE TRINGULAR TUBE	01
06	0503010842	0.39" X 2.95" SPRING PIN	01
07	0503013259	0.2" X 0.39" SPRING PIN	01
08	0503013278	MALE CARDAN	01
09	0503013262	FRICTION DISC PROTECTION ASSY	01
10	0503013263	FEMALE PROTECTION TUBE	01
11	0503013264	MALE PROTECTION TUBE	01



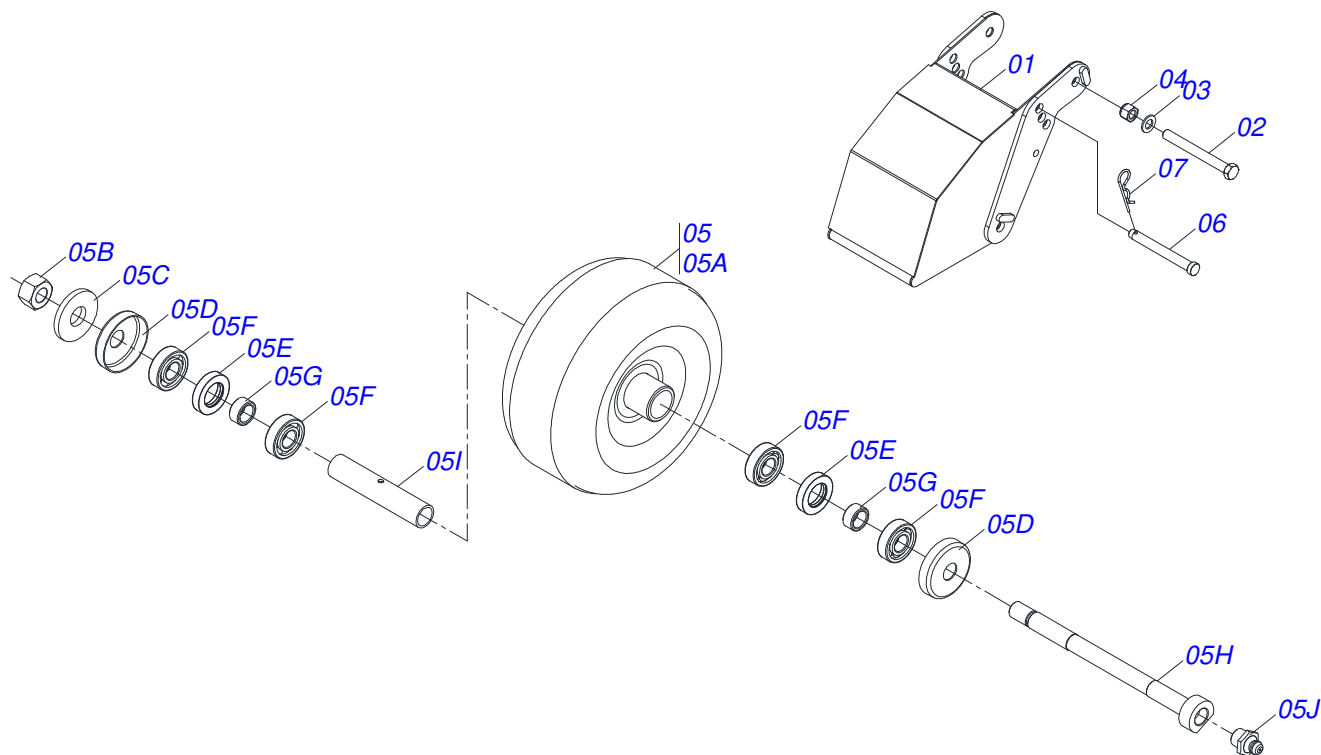
Item	Code	Description	See page	QT
01	0501111109	TOP COVER CARDAN PROTECTION ENTRY WITH RIVET		01
02	0501111107	BOTTOM COVER CARDAN PROTECTION ENTRY WITH RIVET		01
03	0501110997	LARGER SUPPORT COVER PROTECTION		10
04	0581012546	LUBRICATION AXIS TRANSMISSION		07
05	0503034247	ADHESIVE LABEL POINT LUBRICATION		07
06	0503010256	3/8" X 3/4" BOLT		14
07	0503010025	3/8" SPRING WASHER		14
08	0503010237	3/8" X 1" BOLT		20
09	0501010984	FLAT WASHER 10,50 X 27 X 3,00 ZN		40
10	0503010751	C3/8" X 1.1/4" HEX BOLT G.5		20
11	0503010325	VCA-118 VALVE		01
12	0501111104	TRIPLE DISTRIBUTOR PROTECTION		01
13	0501111106	TOP COVER CARDAN PROTECTION WITH RIVET		03
14	0501111105	LOWER COVER PROTECTION WITH RIVET		03

FRONT WHEEL RIGHT WITH ASSY PROTECTION

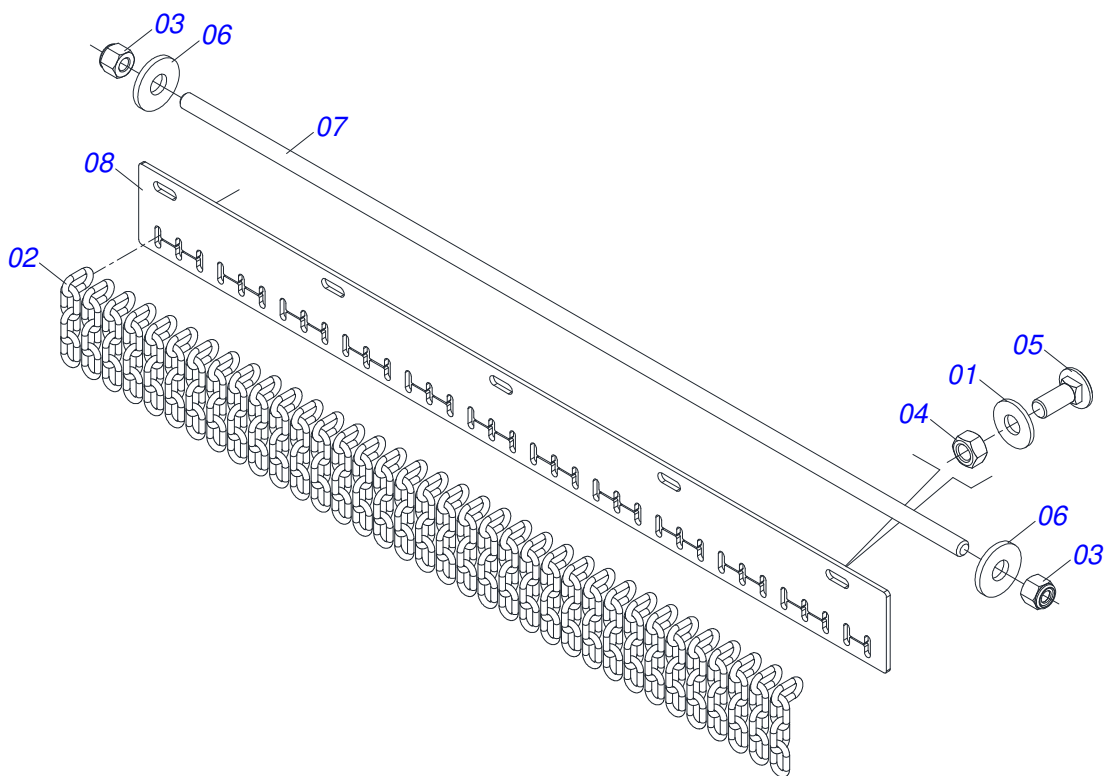


Item	Code	Description	See page	QT
01	0521061648	COVER FRONT WHEEL SUPPORT		01
02	0503012951	3/4" X 10-1/2" BOLT		01
03	0501010941	FLAT WASHER		01
04	0503011075	3/4" UNC NUT		01
05	0501053885	ARM REAR WHELL		01
05A	0511063509	14" X 8" WHELL		01
05B	0531014502	0.9" X 1.1" X 6.3" SLEEVE		01
05C	0503010269	6204 BALL BEARING		04
05D	0521010487	SPACER WASHER		02
05E	0503010268	00262-B SEAL		02
05F	0511014254	DUST CLOAK		02
05G	0551011854	REAR CARRYING WHEELS AXLE		01
05H	0501010941	FLAT WASHER		01
05I	0503011075	3/4" UNC NUT		01
05J	0503010002	1800 GREASE FITTING		01
06	0541018559	REAR WHELL CONTROL AXLE		01
07	0503030012	HITCH PIN CLIP		01
08	1882970002	GREASE SOAP		01Kg

RIGHT FRONT WHEEL WITH FULL PROTECTION

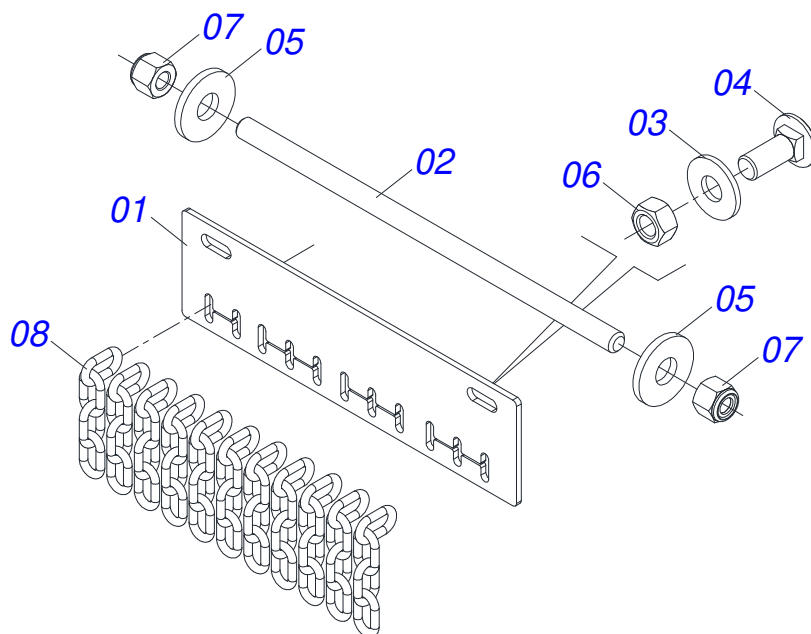


Item	Code	Description	See page	QT
01	0511067120	COVER FRONT WHEEL SUPPORT		01
02	0503012951	3/4" X 10-1/2" BOLT		01
03	0501010941	FLAT WASHER		01
04	0503011075	3/4" UNC NUT		01
05	0501053885	ARM REAR WHELL		01
05A	0511063509	14" X 8" WHELL		01
05B	0503011075	3/4" UNC NUT		01
05C	0501010941	FLAT WASHER		01
05D	0511014254	DUST CLOAK		02
05E	0503010268	00262-B SEAL		02
05F	0503010269	6204 BALL BEARING		04
05G	0521010487	SPACER WASHER		02
05H	0551011854	REAR CARRYING WHEELS AXLE		01
05I	0531014502	0.9" X 1.1" X 6.3" SLEEVE		01
05J	0503010002	1800 GREASE FITTING		01
06	0541018559	REAR WHELL CONTROL AXLE		01
07	0503030012	HITCH PIN CLIP		01



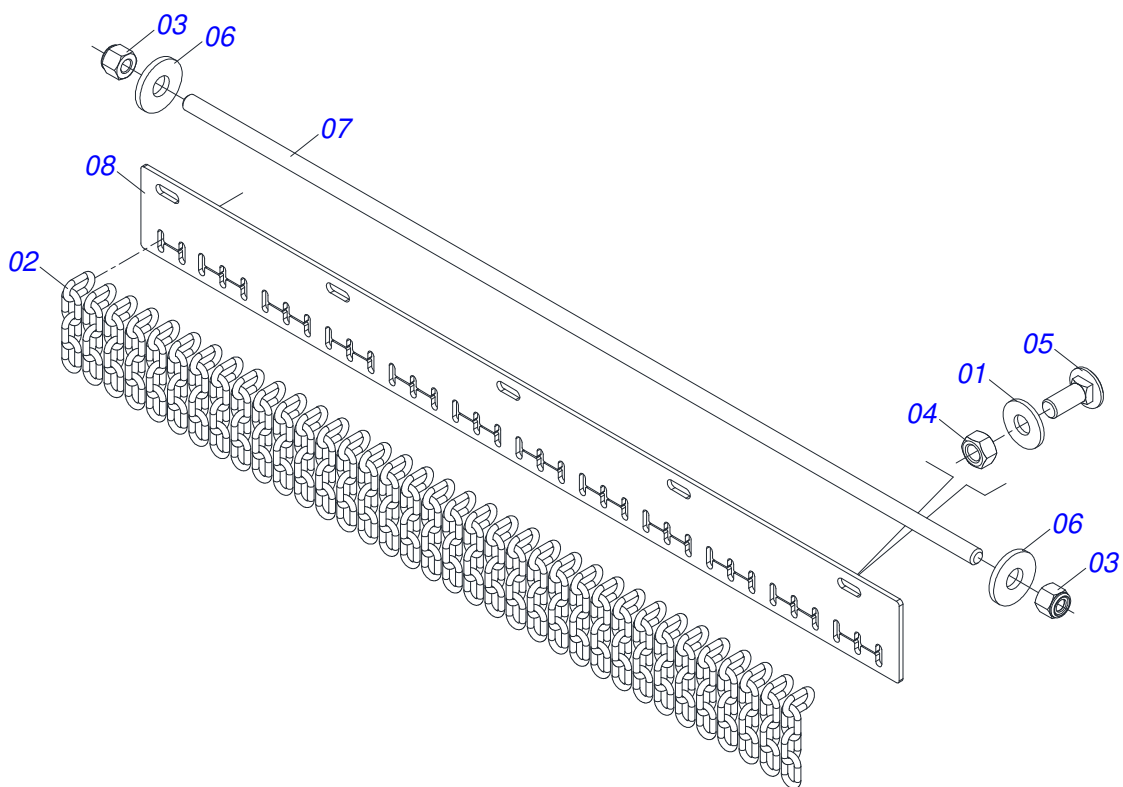
Item	Code	Description	See page	QT
01	0511017302	FLAT WASHER		05
02	0511011774	8,00 CHAIN 4 LINK		35
03	0503013759	NUT		02
04	0503010589	1/2" UNC SELF ADJUSTING NUT		05
05	0503014378	1/2" X 1-1/2" BOLT		05
06	0501010984	FLAT WASHER 10,50 X 27 X 3,00 ZN		02
07	0591012010	CURRENT PROTECTION ROD (1265)		01
08	0591012009	FRONT CURRENT PROTECTION BODY (1290)		01

FRONT CENTRAL CURRENT PROTECTION (410)



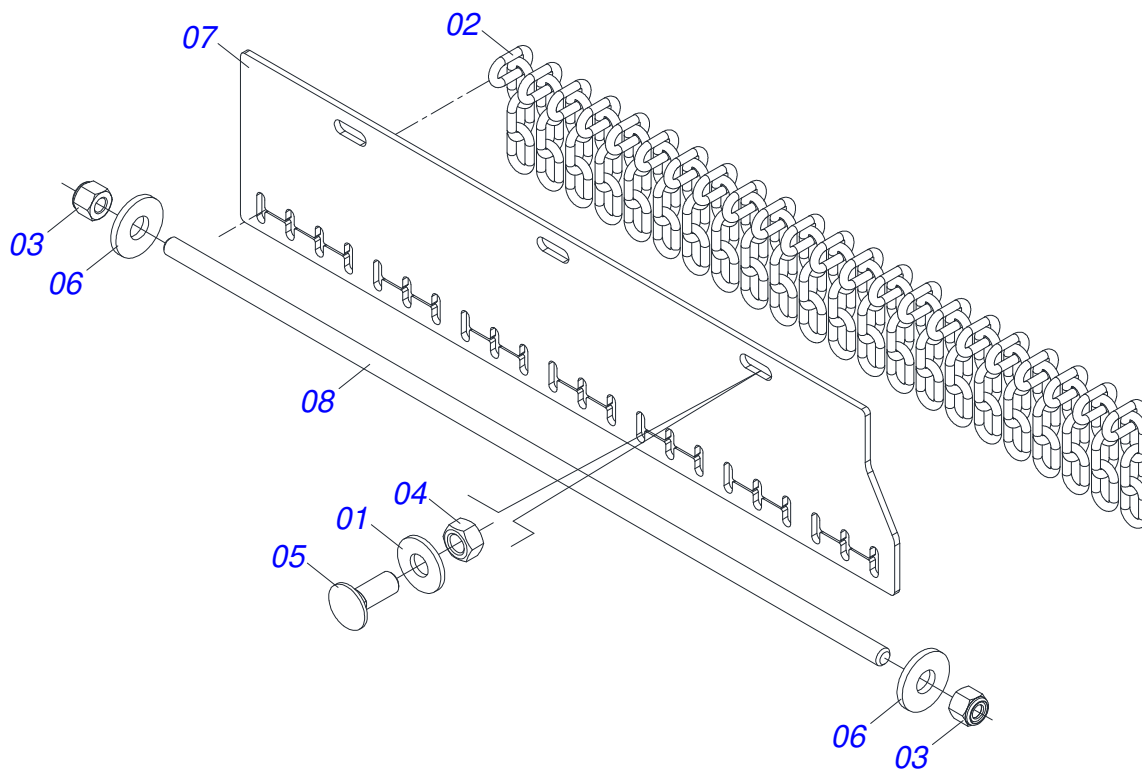
Item	Code	Description	See page	QT
01	0591012011	FRONT CURRENT PROTECTION BODY (410)		01
02	0591012012	CURRENT PROTECTION ROD (410)		01
03	0511017302	FLAT WASHER		02
04	0503014378	1/2" X 1-1/2" BOLT		02
05	0501010984	FLAT WASHER 10,50 X 27 X 3,00 ZN		02
06	0503010589	1/2" UNC SELF ADJUSTING NUT		02
07	0503013759	NUT		02
08	0511011774	8,00 CHAIN 4 LINK		11

LEFT FRONT CURRENT PROTECTION (1290)

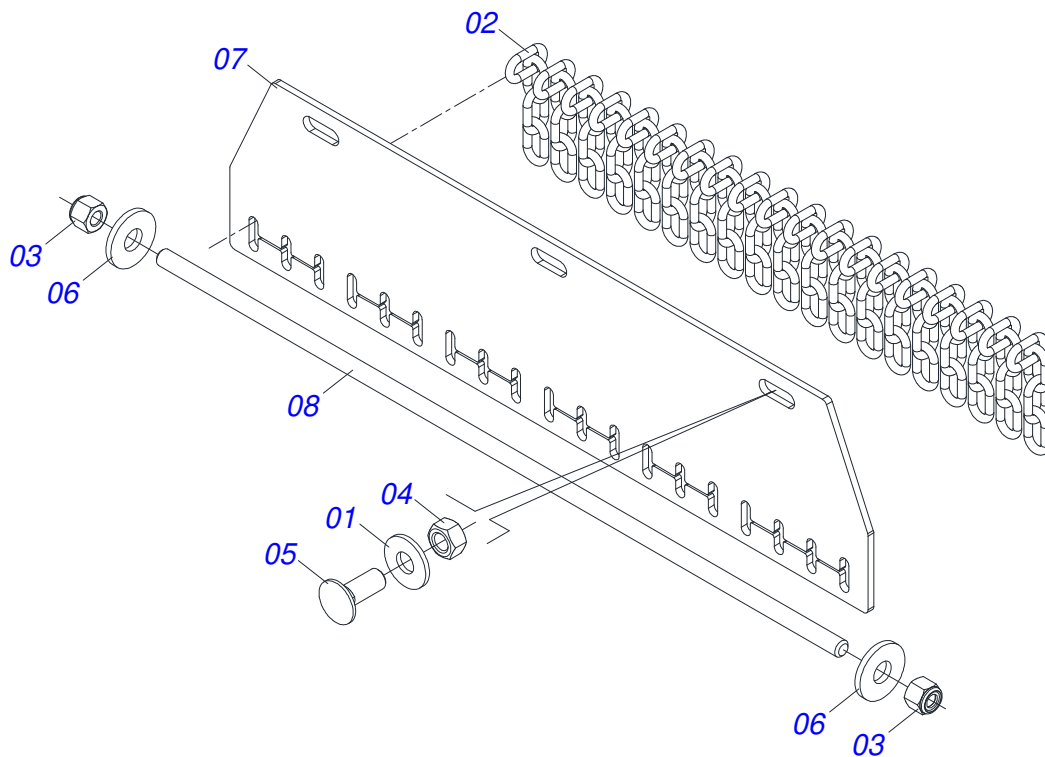


Item	Code	Description	See page	QT
01	0511017302	FLAT WASHER		05
02	0511011774	8,00 CHAIN 4 LINK		35
03	0503013759	NUT		02
04	0503010589	1/2" UNC SELF ADJUSTING NUT		05
05	0503014378	1/2" X 1-1/2" BOLT		05
06	0501010984	FLAT WASHER 10,50 X 27 X 3,00 ZN		02
07	0591012010	CURRENT PROTECTION ROD (1265)		01
08	0591012009	FRONT CURRENT PROTECTION BODY (1290)		01

RIGHT REAR CURRENT PROTECTION (806)

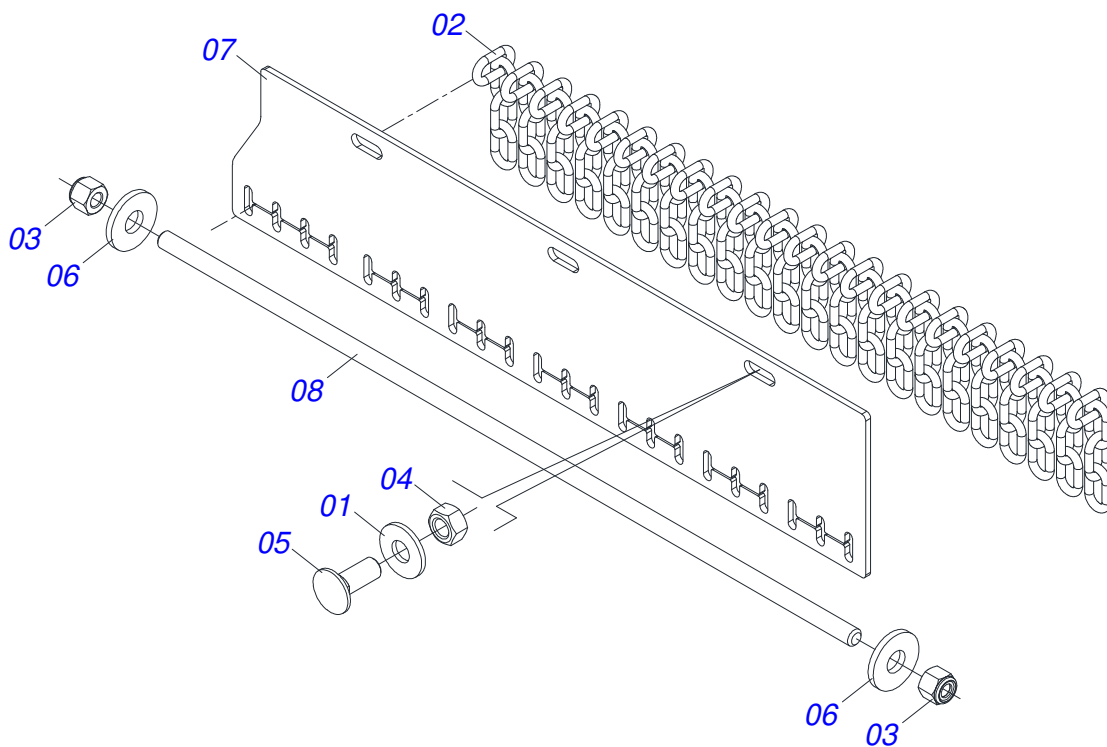


Item	Code	Description	See page	QT
01	0511017302	FLAT WASHER		03
02	0511011774	8,00 CHAIN 4 LINK		22
03	0503013759	NUT		02
04	0503010589	1/2" UNC SELF ADJUSTING NUT		03
05	0503014378	1/2" X 1-1/2" BOLT		03
06	0501010984	FLAT WASHER 10,50 X 27 X 3,00 ZN		02
07	0591012013	BODY RIGHT / LEFT REAR CHAIN PROTECTION (806)		01
08	0581012999	CURRENT PROTECTION BAR		01

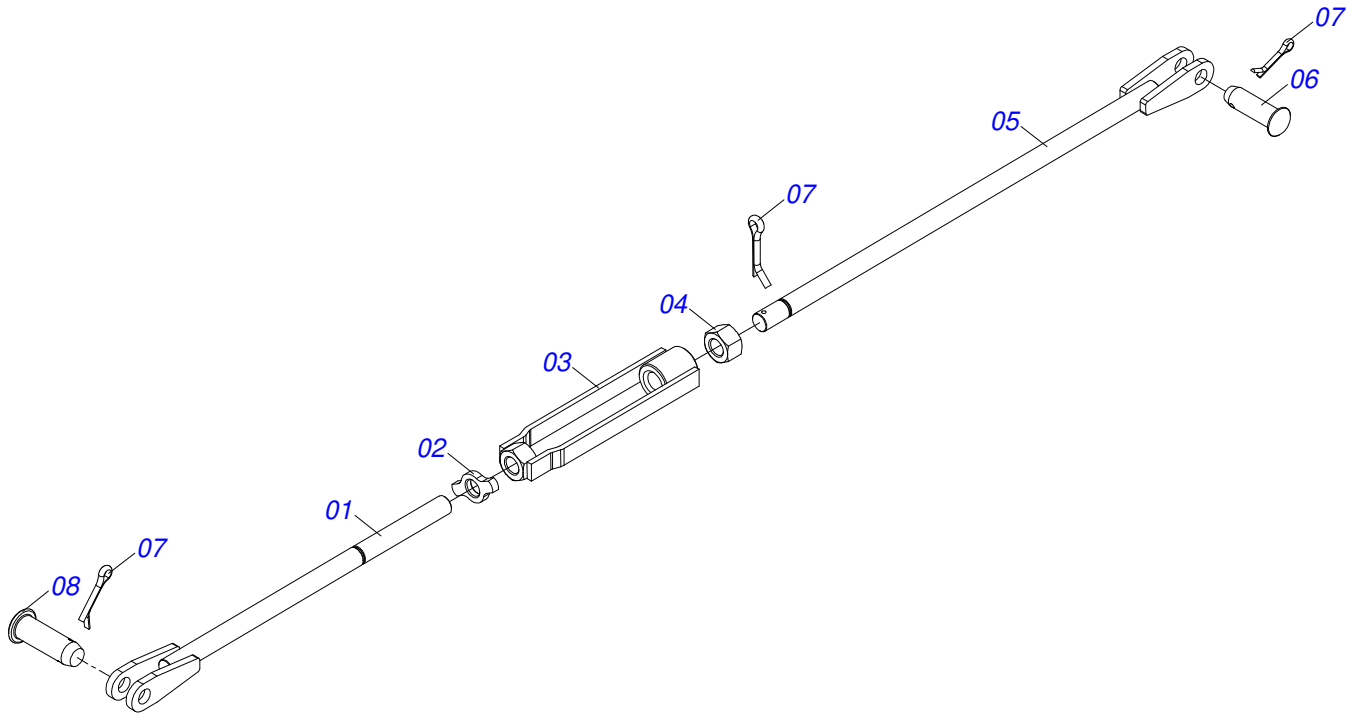


Item	Code	Description	See page	QT
01	0511017302	FLAT WASHER		03
02	0511011774	8,00 CHAIN 4 LINK		19
03	0503013759	NUT		02
04	0503010589	1/2" UNC SELF ADJUSTING NUT		03
05	0503014378	1/2" X 1-1/2" BOLT		03
06	0501010984	FLAT WASHER 10,50 X 27 X 3,00 ZN		02
07	0591012014	REAR CURRENT PROTECTION BODY (700)		01
08	0581012997	CURRENT PROTECTION BAR 690		01

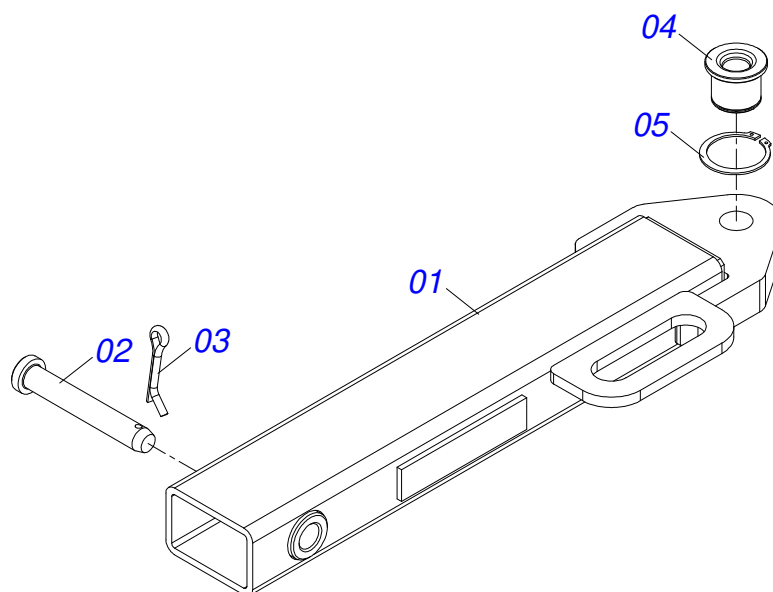
LEFT REAR CURRENT PROTECTION (806)



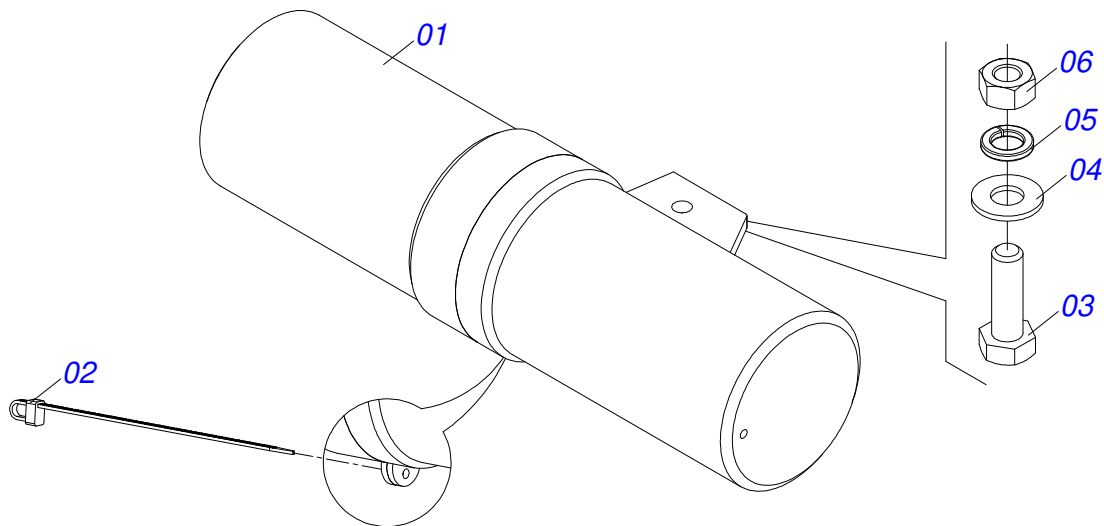
Item	Code	Description	See page	QT
01	0511017302	FLAT WASHER		03
02	0511011774	8,00 CHAIN 4 LINK		22
03	0503013759	NUT		02
04	0503010589	1/2" UNC SELF ADJUSTING NUT		03
05	0503014378	1/2" X 1-1/2" BOLT		03
06	0501010984	FLAT WASHER 10,50 X 27 X 3,00 ZN		02
07	0591012013	BODY RIGHT / LEFT REAR CHAIN PROTECTION (806)		01
08	0581012999	CURRENT PROTECTION BAR		01



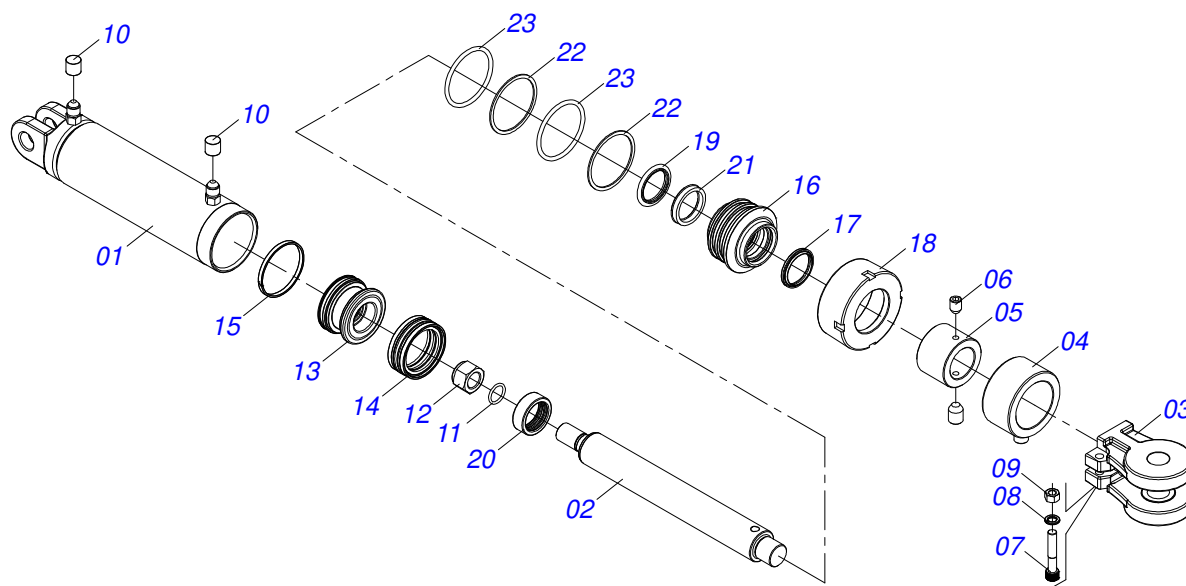
Item	Code	Description	See page	QT
01	0531060462	STABILIZER ROD LOWER (825)		01
02	0591012183	AGAINST NUT R.1.1 / 4 UNC RIGHT		01
03	0521060878	STABILIZER CONTROL		01
04	0501010087	1.1/4" NUT		01
05	0531060461	STABILIZER ROD (1200)		01
06	0521010573	0.9" X 3.1" COUPLING SHAFT		01
07	0503010571	1/4" X 1.1/2 COTTERPIN		03
08	0521010572	0.9" X 2.9" COUPLING SHAFT		01



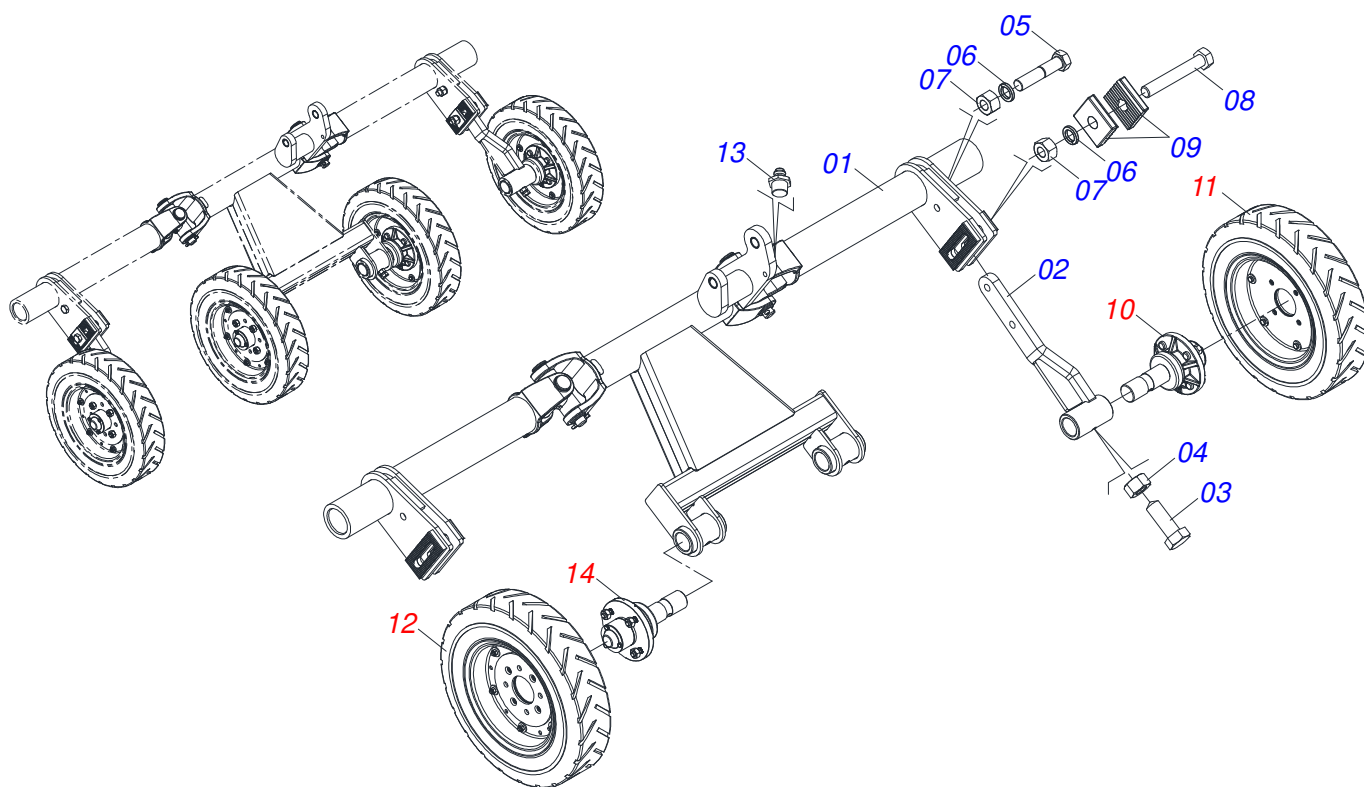
Item	Code	Description	See page	QT
01	0531060460	REAR HITCH		01
02	0541012484	COUPLING SHAFT		01
03	0503010571	1/4" X 1.1/2 COTTERPIN		01
04	0571014744	SLEEVE HITCH ARTICULATION 1.1/4		01
05	0503010396	501060 CLAMPING RING (FOR AXLE)		01



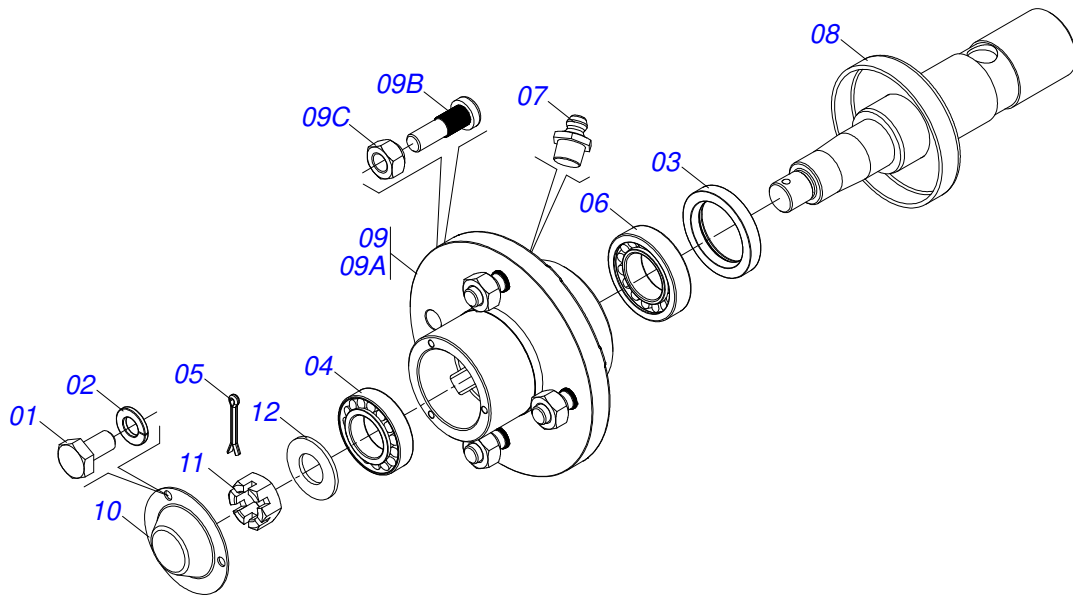
Item	Code	Description	See page	QT
01	0503060100	OPERATOR'S MANUAL STORAGE TUBE		01
02	0503010267	NYLON CLAMP		01
03	0503010363	5/16" X 1" BOLT		01
04	0501010694	FLAT WASHER		01
05	0503010179	LOCK WASHER		01
06	0503010337	5/16" NUT		01
07	0511033694	PLASTIC COVER WITH INSTRUCTIONS MANUAL		01



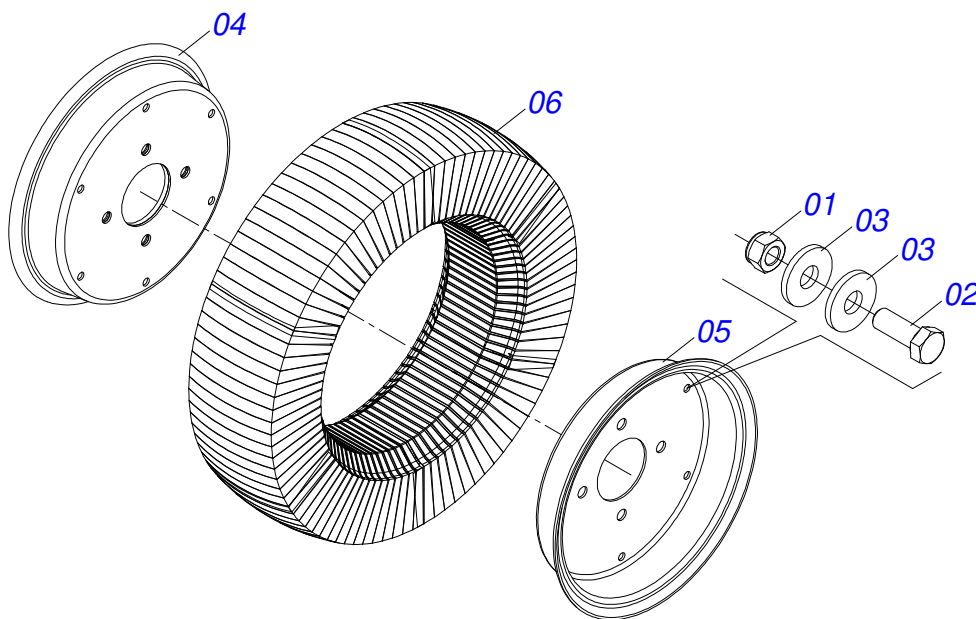
Item	Code	Description	See page	QT
01	0501064255	2.4" X 8" CYLINDER CASE		01
02	0521014292	1.7" X 15" TURNBUCLE WITH HOLES		01
03	0502040493	CLEVIS 26,50 R41		01
04	0511060370	CARRY-W REG OUTER BODY ASSY		01
05	0521014003	REG INNER BODY OF THE CARRY-WHEEL		01
06	0503011148	3/8" X 1/2" BOLT		02
07	0503011094	3/8" X 2" BOLT		01
08	0503010025	3/8" SPRING WASHER		01
09	0503010026	3/8" NUT		01
10	0503030385	CYLINDER PLUG N-002		02
11	0503010042	2-214 N 3006-9B O'RING		01
12	0503010063	1" SELF-ALIGNING NUT		01
13	0571019710	1.7" X 3.4" PISTON		01
14	0503017935	RING		01
15	0503018144	RING		01
16	0571019711	RING SUPPORT		01
17	0503010761	D-1750 SCRAPER RING		01
18	0571019709	DETACHABLE COVER		01
19	0503017936	RING		01
20	0503017938	RING GUIDE		01
21	0503017937	GASKET		01
22	0503017940	8-337 BACK-UP RING		02
23	0503017939	2-337 N 3006-9B O' RING		02
24	0501031796	HYDRAULIC CYLINDER REPAIR KIT		



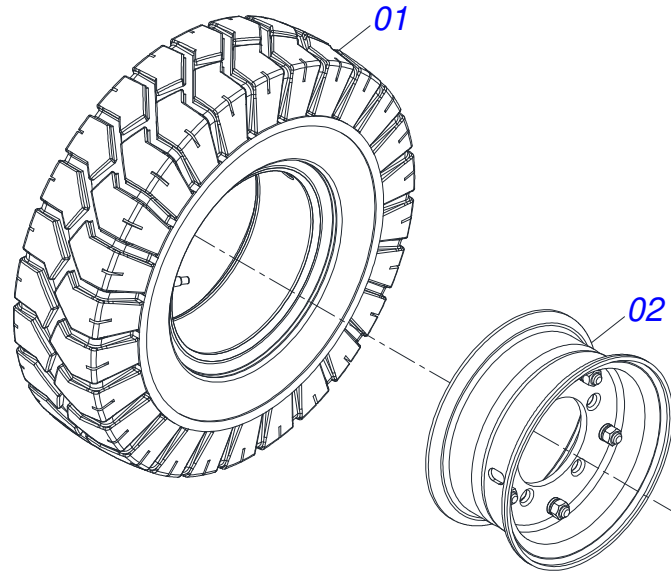
Item	Code	Description	See page	QT
01	0521057106	SEMI-ASSEMBLED CENTRAL LATERAL WHEEL		01
02	0531060471	SIDE WHEEL ARM		02
03	0571018726	BOLT 5/8 UNC X 1.3/4 CS		04
04	0503810013	NUT 5/8 NC		04
05	0503012334	3/4" UNC X 3.1/2" BOLT		02
06	0503010023	3/4" SPRING WASHER		04
07	0503010014	3/4" NUT		04
08	0503013185	3/4" X 5-1/2" BOLT		02
09	0502012231	SQUARE WASHER		04
10	0521057107	WHEEL WITHOUT TIRE	29	02
11	0501043559	SEGMENTED WHEEL 525	30	02
12	0503063227	WHEEL WITH PNEUMATIC TIRE	31	02
13	0503010002	1800 GREASE FITTING		06
14	0521059301	WHEEL WITHOUT TIRE	32	02



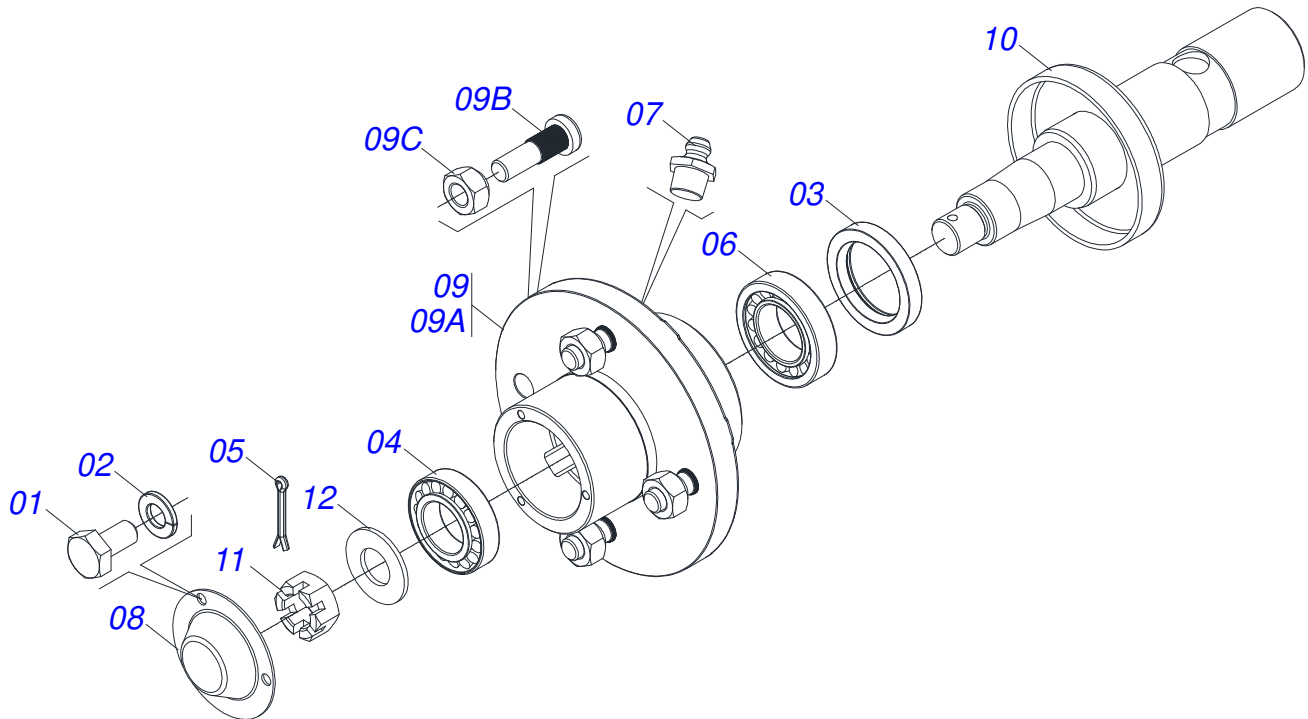
Item	Code	Description	See page	QT
01	0503013758	1/4" X 1-1/2" BOLT		03
02	0503011441	SPRING WASHER		03
03	0503010278	SEAL		01
04	0503010022	BEARING LM		01
05	0503010018	5/32 X 1-1/2 COTTERPIN		01
06	0503010016	BEARING LM		01
07	0503010002	1800 GREASE FITTING		01
08	0531060472	TIP SHAFT WHEELED		01
09	0501110746	CARRYING WHEEL HUB		01
09A	0502020605	CARRYING WHEEL HUB		01
09B	0501010127	9/16" X 1-7/8" LUG BOLT		04
09C	0503010035	9/16" CONIC NUT		04
10	0521010388	PROTECTIVE COVER		01
11	0503030010	7/8" CASTLE NUT		01
12	0501010076	FLAT WASHER		01



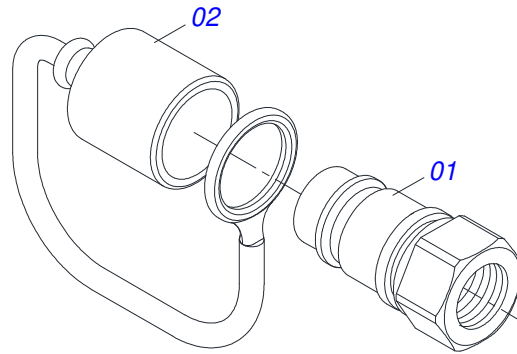
Item	Code	Description	See page	QT
01	0503013357	3/8" SELF-ADJUSTING NUT		06
02	0503010237	3/8" X 1" BOLT		06
03	0501010984	FLAT WASHER 10,50 X 27 X 3,00 ZN		12
04	0501069093	RIM FLANGE		01
05	0521010829	RIM FLANGE		01
06	0501110168	WHEEL SEGMENT BODY		01



Item	Code	Description	See page	QT
01	0503019898	WHEEL		01
02	0503019900	FURROW		01



Item	Code	Description	See page	QT
01	0503013758	1/4" X 1-1/2" BOLT		03
02	0503011441	SPRING WASHER		03
03	0503010278	SEAL		01
04	0503010022	BEARING LM		01
05	0503010018	5/32 X 1-1/2 COTTERPIN		01
06	0503010016	BEARING LM		01
07	0503010002	1800 GREASE FITTING		01
08	0531061373	GREASE COVER		01
09	0501111047	HUB		01
09A	0531061374	HUB		01
09B	0501010127	9/16" X 1-7/8" LUG BOLT		05
09C	0503010035	9/16" CONIC NUT		05
10	0531060472	TIP SHAFT WHEELED		01
11	0503030010	7/8" CASTLE NUT		01
12	0501010076	FLAT WASHER		01



Item	Code	Description	See page	QT
01	0503011627	MALE QUICK COUPLER AGR 1/2 NPT		01
02	0503011882	MALE QUICK COUPLER CAP		01



MARCHESAN

Technical Publications | Elaboration and Revision

ALESSANDRA PATRICIA KAWAHARA CARRILI

www.marchesan.com.br

