

OFFSET DISK HARROW

GCRO 7010 AXLE 1.5/8" MECHANICAL ARTICULATED (3,5M) 40 DISCS

Code: 0501092634

Series: S-0915

Revision: 00

Date Revision: MAIO/2022

PARTS CATALOGUE



MARCHESAN



PRODUCTS

Code	Description
0102560335	GCRO 7010 40X30X7,5 DMO MEC ESPECIAL S-0915
0102560343	GCRO 7010 40X30X7,5 DMO MEC S/PN ESPECIAL S-0915

ATTENTION: IMPORTANT

Marchesan S.A. reserves the right to improve and/or modify the technical features of its products, without obligation to do the same with those products already sold and without prior knowledge of the dealer or the consumer. The photos are only illustrative.

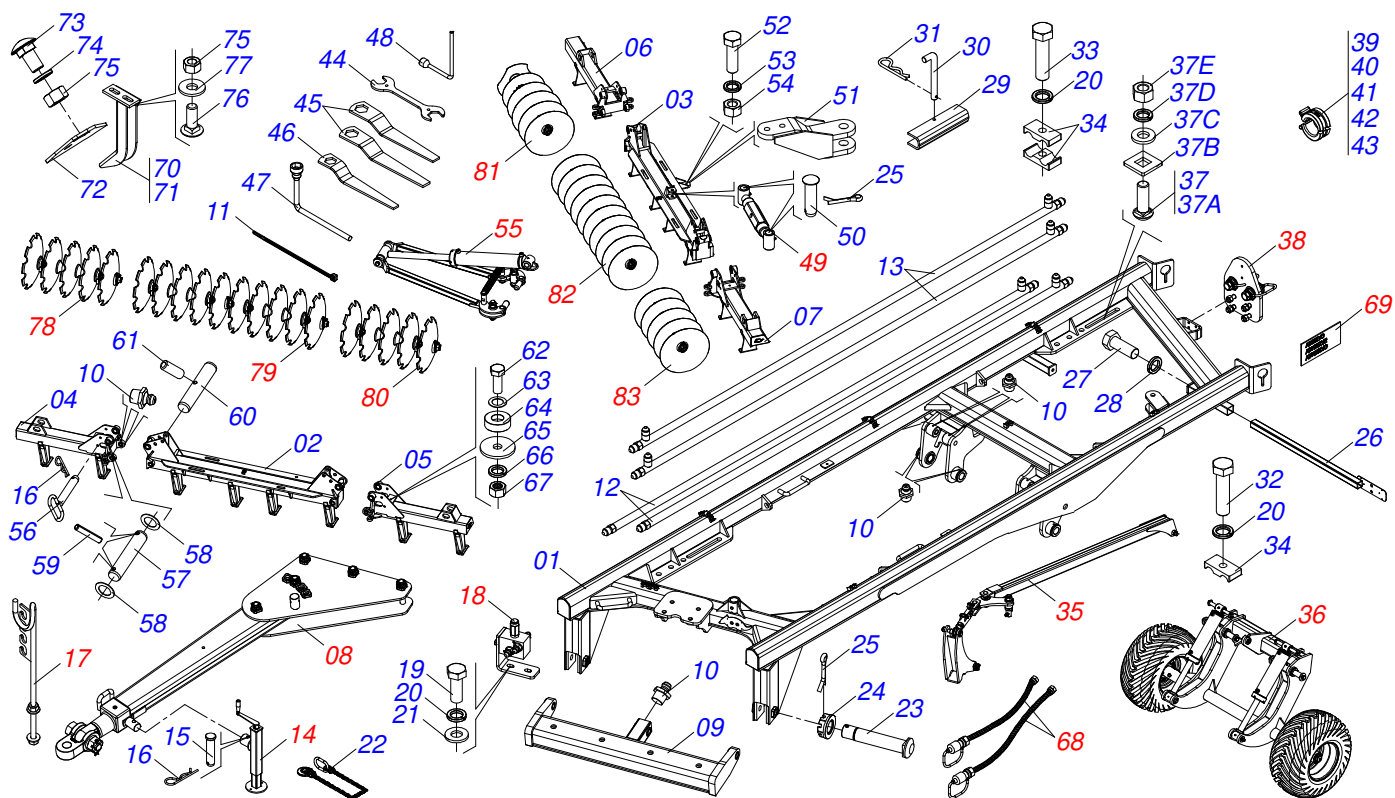


MARCHESAN

INDEX

0909098672	ASSY FRAME	1
0511045200	ASSY TRACTION BAR WITH HITCH 3	2
0511048088	DRAWBAR JACK	3
0501040257	3/4 X 1200 HOSE HOLDER A	4
0511059196	VALVE ASSY	5
0909092836	HEAD ARTICULATED ASSY	6
0511059199	STABILIZER BAR REGULATOR EXTENSOR	7
0909092837	WHEEL ASSY	8
0521051832	HYDRAULIC CYLINDER 53,98 X 114,30 X 654 X 346	9
0501056467	STUB SHAFT & HUB ASSY	10
0503060102	WHEEL AND TIRE	11
0909092838	QUICK COUPLING SUPPORT ASSY	12
0501053835	FEMALE QUICK COUPLER	13
0501052005	STABILIZER FOR GANG	14
0909092839	ARTICULATOR ASSY	15
0501057274	LH REAR DRIVER ARM	16
0501057273	PIVOT ARM ASSY	17
0511057940	HYDRAULIC CILINDER	18
0909098674	HYDRAULIC CIRCUIT OF THE WHEELS	19
0909092847	HYDRAULIC CIRCUIT FRAME ARTICULATE	20
0909098673	ADHESIVE LABEL ASSY	21
0909098675	FRONT SIDE FRONT DISC SECTION	22
0909098676	FRONT CENTER DISC SECTION	23
0909098677	LEFT SIDE FRONT DISC SECTION	24
0909098678	RIGHT SIDE REAR DISC SECTION	25
0909098679	REAR CENTRAL DISC SECTION	26
0909098680	LEFT SIDE REAR DISC SECTION	27
0511048366	OSCILLATING BEARING ASSY	28

ASSY FRAME



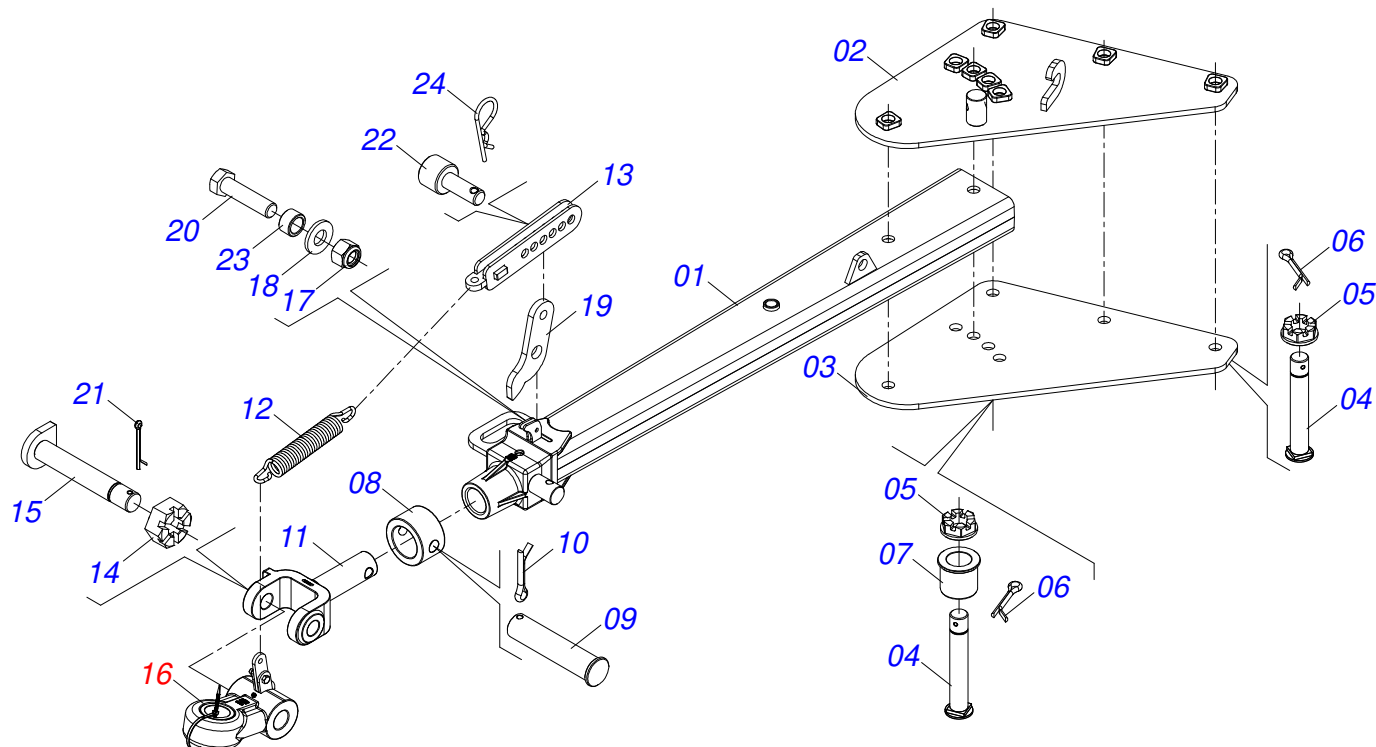
Item	Code	Description	See page	QT
01	0521066454	FRAME		01
02	0521066459	FRONT CENTRAL FRAME		01
03	0521066458	REAR CENTRAL FRAME		01
04	0521069823	FRAME FRONT RIGHT SIDE		01
05	0521069825	LEFT SIDE FRONT FRAME		01
06	0521069829	REAR SIDE CHASSI RIGHT		01
07	0521069827	FRAME REAR LEFT SIDE		01
08	0511045200	ASSY TRACTION BAR WITH HITCH 3	2	01
09	0521066449	HITCH BAR		01
10	0503010002	1800 GREASE FITTING		37
11	0503013100	NYLON CLAMP		16
12	0521066937	DUCT DISTRIBUTOR OF OIL		02
13	0521066126	DISTRIBUTOR OIL TUBE		02
14	0511048088	DRAWBAR JACK	3	01
15	0561014251	COUPLING SHAFT		01
16	0503030012	HITCH PIN CLIP		05
17	0501040257	3/4 X 1200 HOSE HOLDER A	4	01
18	0511059196	VALVE ASSY	5	01
19	0503011173	7/16" X 2" BOLT		02
20	0503010180	7/16" SPRING WASHER		02
21	0501012803	FLAT WASHER		02
22	0503013150	1300 X 3/8 CHAIN		01
23	0531018100	37,50 X 200 COUPLING SHAFT		02
24	0501011301	1.1/2 UNC 6FPP 2.5/16 NUT		02
25	0503010010	1/4" X 2.1/2" COTTERPIN		05
26	0521066443	SUPPORT FIXER LANTERN		02
27	0501010098	3/4" UNC BOLT		02
28	0503010023	3/4" SPRING WASHER		02
29	0561016693	TRANSPORT LOCK		02
30	0541016844	FIXER LOCK		02
31	0503030168	HITCH PIN CLIP		02



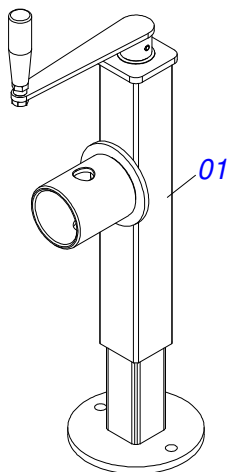
ASSY FRAME

0909098672

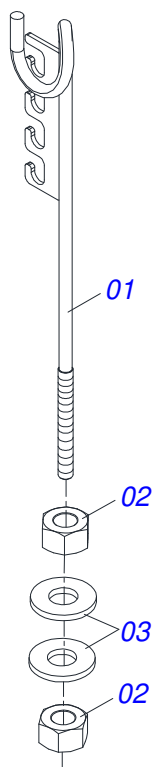
Item	Code	Description	See page	QT
32	0503011135	BOLT		09
33	0503011103	7/16" X 2-1/2" BOLT		02
34	0502010477	HOSE CLAMP		15
35	0909092836	HEAD ARTICULATED ASSY	6	01
36	0909092837	WHEEL ASSY	8	01
37	0501041102	1-1/4" X 3-3/4" ASSY BOLT		08
37A	0501015348	1-1/4" X 3-3/4" BOLT		01
37B	0501010953	1-1/4" SQUARE WASHER		01
37C	0531010713	FLAT WASHER		01
37D	0503010070	SPRING WASHER		01
37E	0501010087	1.1/4" NUT		01
38	0909092838	QUICK COUPLING SUPPORT ASSY	12	01
39	0501047895	ROD STOP		04
40	0501047885	ROD STOP		02
41	0501047886	ROD STOP		03
42	0501047887	ROD STOP		03
43	0501047888	ROD STOP		03
44	0541015451	FIXED KEY 2.3/8 X 2.3/4		01
45	0501011432	1-1/2" AND 1-5/8 GANG BOLT WRENCH		01
46	0501011431	1-3/4" GANG BOLT WRENCH		02
47	0503016137	1-1/4" WRENCH CABLE CYLINDER		01
48	0503018438	1" WRENCH CYLINDRICAL HEX		01
49	0501052005	STABILIZER FOR GANG	14	01
50	0521010546	1.2" X 5.7" COUPLING SHAFT		02
51	0511064810	REAR HITCH		01
52	0503011346	7/8" X 3-1/2" BOLT		02
53	0503010408	7/8" SPRING WASHER		02
54	0503010417	7/8" NUT		02
55	0909092839	ARTICULATOR ASSY	15	04
56	0501069463	1" X 8" LOCK PIN		04
57	0521011720	2.0" X 15.7" COUPLING SHAFT		04
58	0511019776	FLAT WASHER		08
59	0503011069	0.4" X 2.8" SPRING PIN		08
60	0541016676	1.1/2 X 175 AXLE		04
61	0503013662	1/2" X 1" BOLT		04
62	0503010233	5/8" X 2-1/2" BOLT		04
63	0571010265	16.5 X 40 X 3 FLAT WASHER		04
64	0581011153	FRAME BEAT		04
65	0571013284	17.5 X 90 X 4.75 FLAT WASHER		04
66	0503010027	5/8" SPRING WASHER		04
67	0503010013	5/8" NUT		04
68	0909098674	HYDRAULIC CIRCUIT OF THE WHEELS	19	01
68.	0909092847	HYDRAULIC CIRCUIT FRAME ARTICULATE	20	01
69	0909098673	ADHESIVE LABEL ASSY	21	01
70	0511065926	FRONT SCRAPER SUPPORT		20
71	0511065925	REAR SCRAPER SUPPORT		21
72	0561014263	CLEANER SHOVEL		41
73	0503012195	5/8" NUT		82
74	0503010027	5/8" SPRING WASHER		86
75	0503010013	5/8" NUT		168
76	0503013842	5/8" UNC X 1-3/4" BOLT		82
77	0501012140	FLAT WASHER		102
78	0909098675	FRONT SIDE FRONT DISC SECTION	22	01
79	0909098676	FRONT CENTER DISC SECTION	23	01
80	0909098677	LEFT SIDE FRONT DISC SECTION	24	01
81	0909098678	RIGHT SIDE REAR DISC SECTION	25	01
82	0909098679	REAR CENTRAL DISC SECTION	26	01
83	0909098680	LEFT SIDE REAR DISC SECTION	27	01



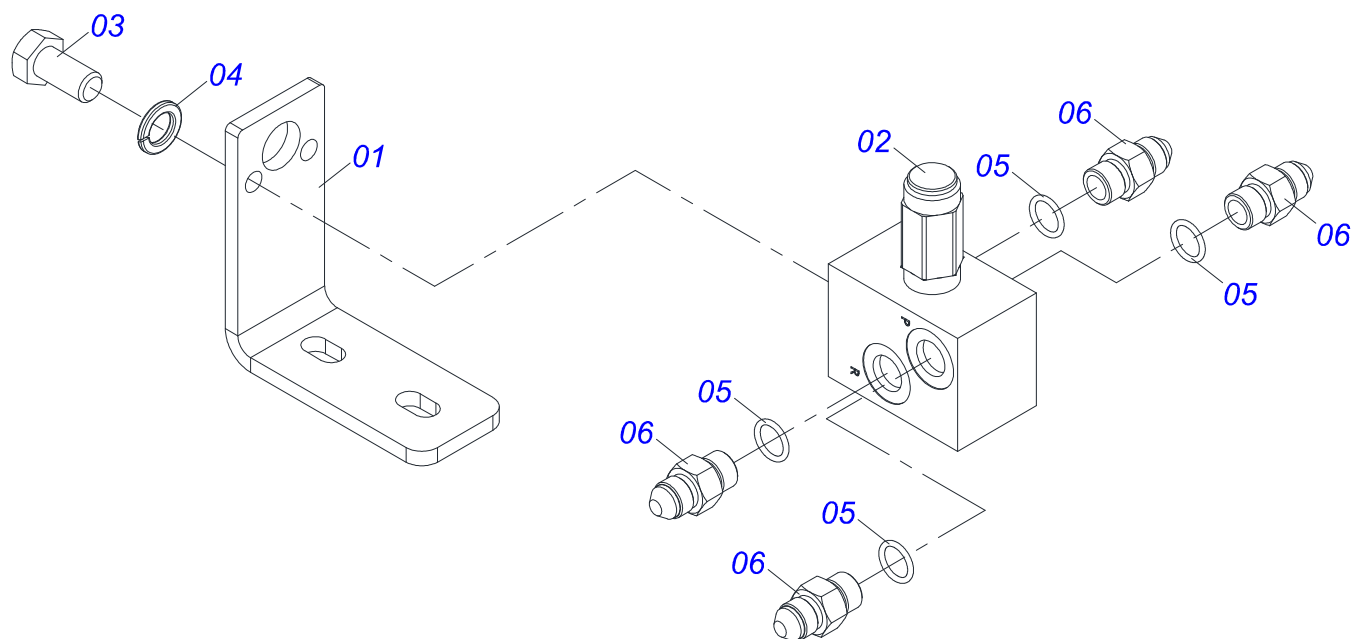
Item	Code	Description	See page	QT
01	0511064669	DRAWBAR ASSY	01	01
02	0511067825	UPPER PLATE	01	01
03	0511067826	LOWER PLATE	01	01
04	0521011880	37,5 X 242 COUPLING SHAFT	05	05
05	0501011301	1.1/2 UNC 6FPP 2.5/16 NUT	05	05
06	0503010010	1/4" X 2.1/2" COTTERPIN	05	05
07	0591013086	SLEEVE	01	01
08	0502040263	ANEL TRAVA ENGATE	01	01
09	0561017306	COUPLING SHAFT	01	01
10	0503010523	1/4" X 2" COTTERPIN	01	01
11	1902040897	TRACTOR HITCH	01	01
12	0503031741	1.8" X 11.4" 0.3" TRACTION SPRING	01	01
13	0531061607	SPRING REGULATOR	01	01
14	0502040558	2" CASTLE NUT	01	01
15	0531061122	AXIS ARTICULATOR	01	01
16	0531040171	ASSY HITCH	01	01
17	0503010589	1/2" UNC SELF ADJUSTING NUT	01	01
18	0501010937	13.5 X 28 X 3 FLAT WASHER	01	01
19	0591014554	REAR EAR FIXING SPRING	01	01
20	0503010740	BOLT 1/2 UNC X 2 CS G.5 ZN	01	01
21	0503010074	3/8 X 0,15" COTTERPIN	01	01
22	0591014558	SPRING REGULATOR FIXER AXLE	01	01
23	0591014552	SLEEVE	01	01
24	0503030285	HITCH PIN CLIP	01	01



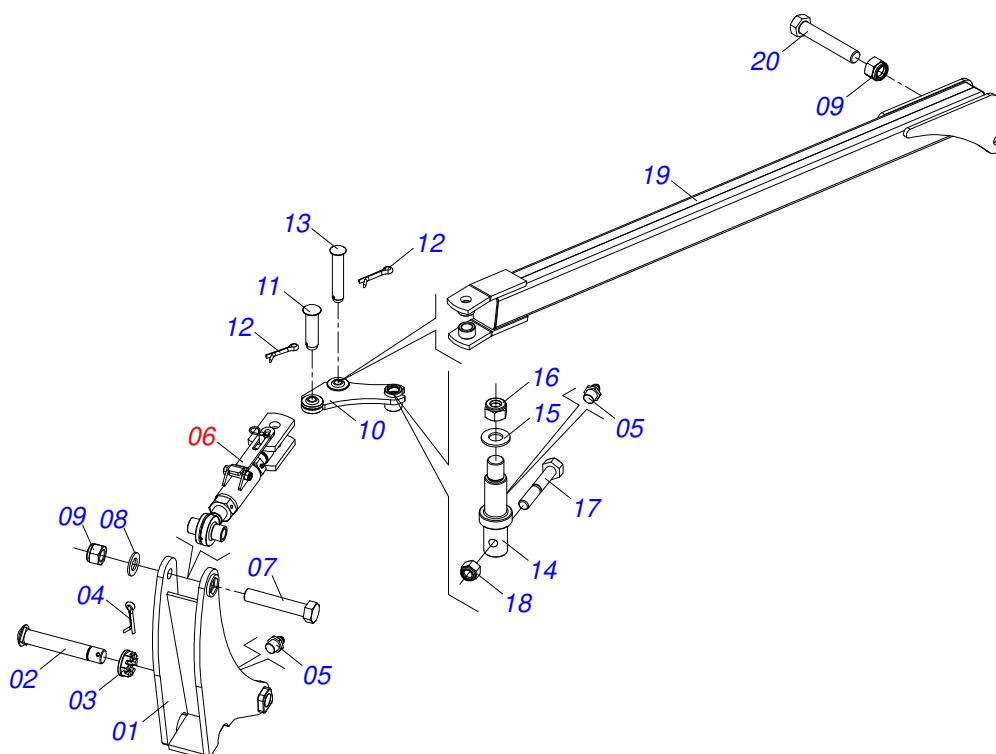
Item	Code	Description	See page	QT
01	0503062227	DRAWBAR JACK		01



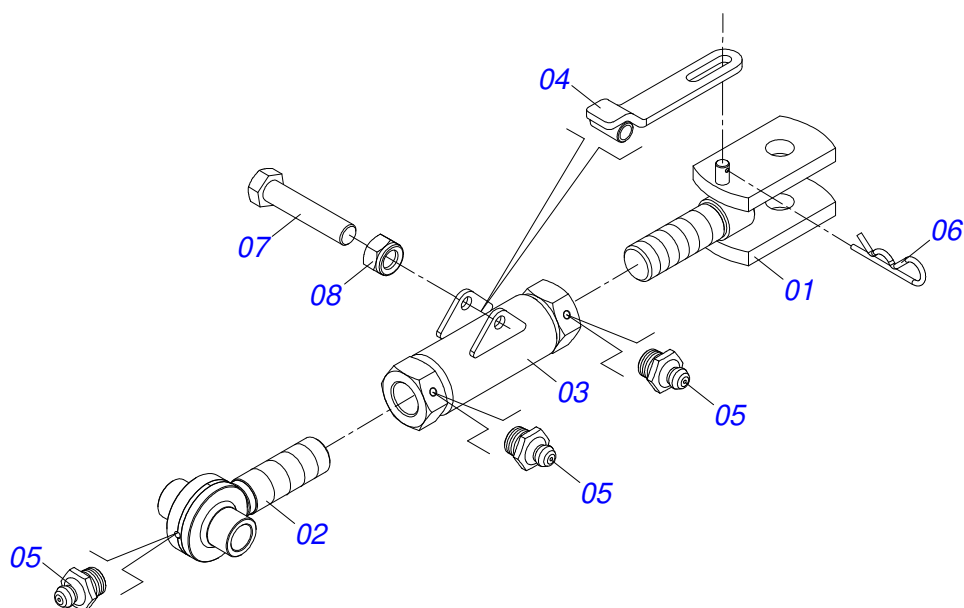
Item	Code	Description	See page	QT
01	0511067334	HOSE SOPPORT ASSY		01
02	0503010014	3/4" NUT		02
03	0501010322	FLAT WASHER		02



Item	Code	Description	See page	QT
01	0581011745	VALVE SUPPORT		01
02	0503010919	DISCHARGE VALVE		01
03	0503011334	BOLT 3/8 UNC X 3/4 CS G.5 ZN		02
04	0503010025	3/8" SPRING WASHER		02
05	0503010190	2-114 N 3006-9B O'RING		04
06	0501010617	3/4" NIPPLE		04

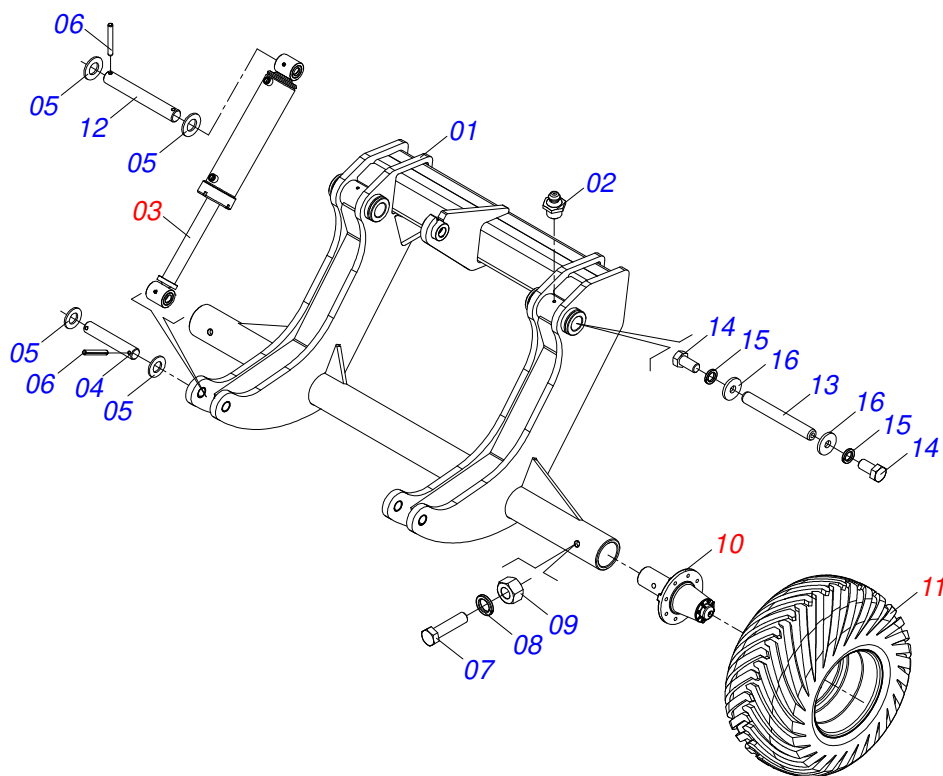


Item	Code	Description	See page	QT
01	0521067637	HEADER ARTICULATOR		01
02	0521012053	1.5" X 8.6" AXLE		01
03	0501011301	1.1/2 UNC 6FPP 2.5/16 NUT		01
04	0503010010	1/4" X 2.1/2" COTTERPIN		01
05	0503010002	1800 GREASE FITTING		02
06	0511059199	STABILIZER BAR REGULATOR EXTENSOR	7	01
07	0521017351	1-1/4" X 8" BOLT		01
08	0501017779	32 X 60 X 4.75 FLAT WASHER		01
09	0503010817	1.1/4" SELF LOCKING NUT		02
10	0521066960	ARTICULADOR STABILIZER BAR		01
11	0521010780	1.2" X 4.5" COUPLING SHAFT		01
12	0503010523	1/4" X 2" COTTERPIN		02
13	0581011919	31,75 X 170 ZN COUPLING SHAFT		01
14	0581011775	EJE PIVOT SHAFT STABILIZER BAR		01
15	0501010287	FLAT WASHER		01
16	0503010290	SELF ADJUSTING 1.1/2" UNF NUT		01
17	0501010216	3/4" X 4-1/2" BOLT		01
18	0503011075	3/4" UNC NUT		01
19	0531062770	STABILIZER BAR (2825)		01
20	0503013321	SCREW 1.1/4 UNF X 7 C S G.8 ZN		01

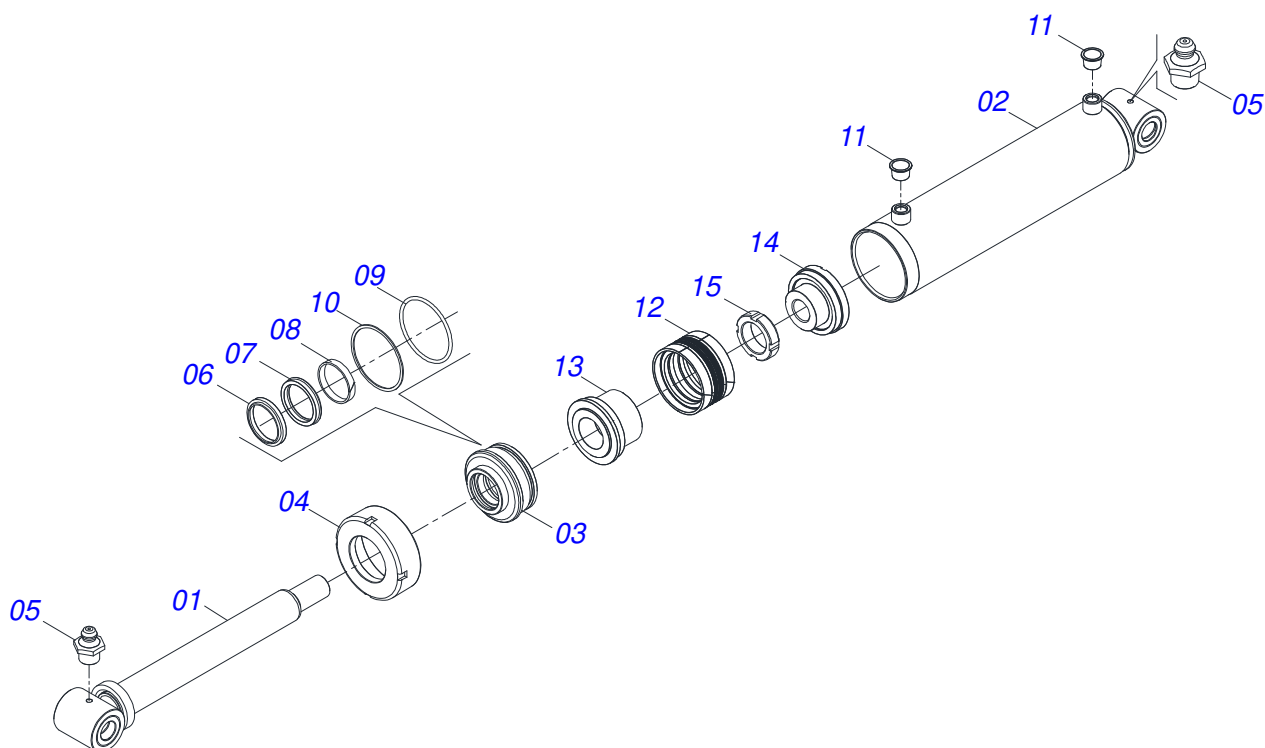


Item	Code	Description	See page	QT
01	0521066962	JACK CRANK C/O. R.1.3/4 ESQUERDO		01
02	0521066965	JACK CRANK NUT FIXER R.1.3/4 UNC DIREITO		01
03	0521066963	ADJUSTMENT NUT R.1.3/4 UNC (245)		01
04	0521066964	LEVER STABILIZER OF TENSOR REGULATOR		01
05	0503010002	1800 GREASE FITTING		03
06	0503030285	HITCH PIN CLIP		01
07	0503010806	5/8" X 3" BOLT		01
08	0503010878	5/8" SELF ALIGNING NUT		01

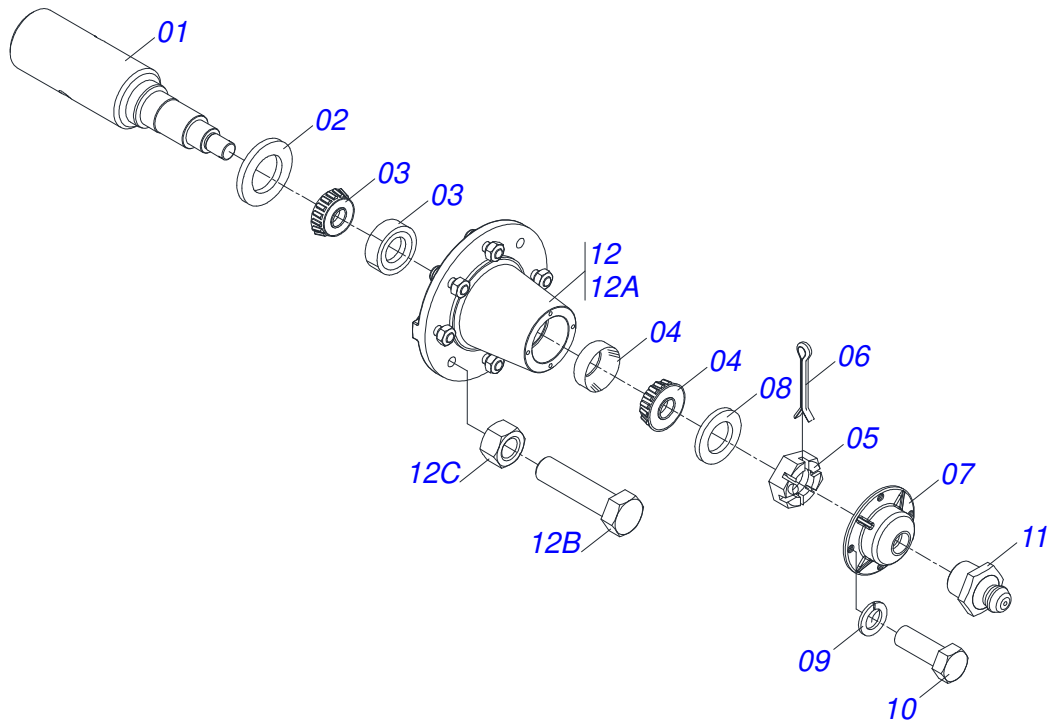
WHEEL ASSY



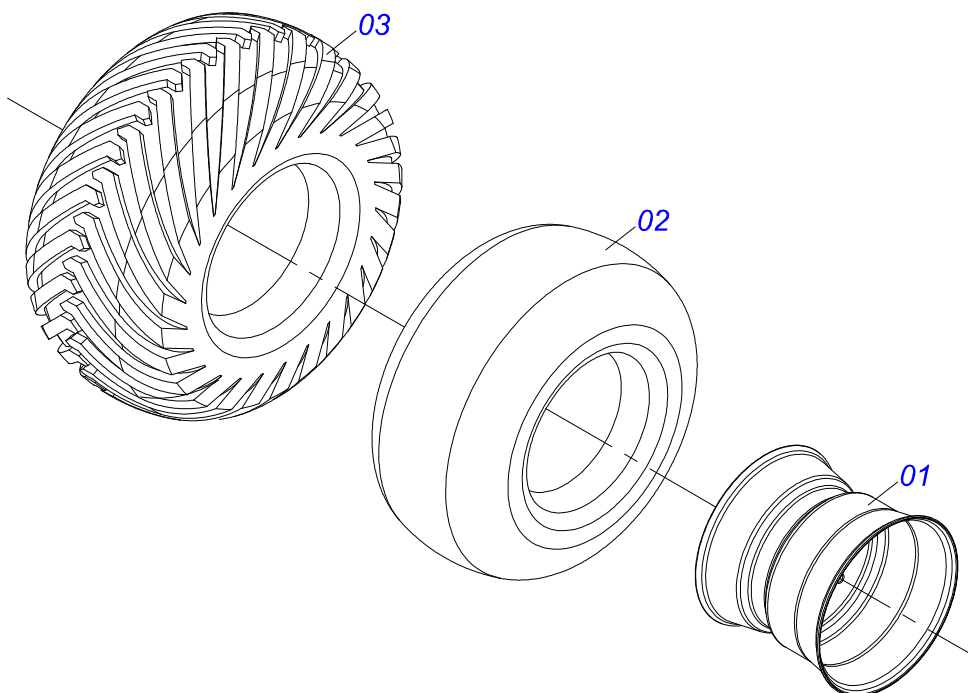
Item	Code	Description	See page	QT
01	0521067722	WHEELED		01
02	0503010002	1800 GREASE FITTING		02
03	0521051832	HYDRAULIC CYLINDER 53,98 X 114,30 X 654 X 346	9	02
04	0531018101	1.2" X 6.3" PIVOT SHAFT		02
05	0501017779	32 X 60 X 4.75 FLAT WASHER		08
06	0503011877	0.3" X 2.4" SPRING PIN		08
07	0503011198	C3/4" X 6" SCREW		02
08	0503010023	3/4" SPRING WASHER		02
09	0503012183	SNC 3/4" ZIN 1K03097 NUT		02
10	0501056467	STUB SHAFT & HUB ASSY	10	02
11	0503060102	WHEEL AND TIRE	11	02
12	0531018105	1.2" X 11.8" PIVOT SHAFT		02
13	0531018062	COUPLING SHAFT		02
14	0503011250	1" X 2" BOLT		04
15	0503010012	1" SPRING WASHER		04
16	0521011565	FLAT WASHER		04



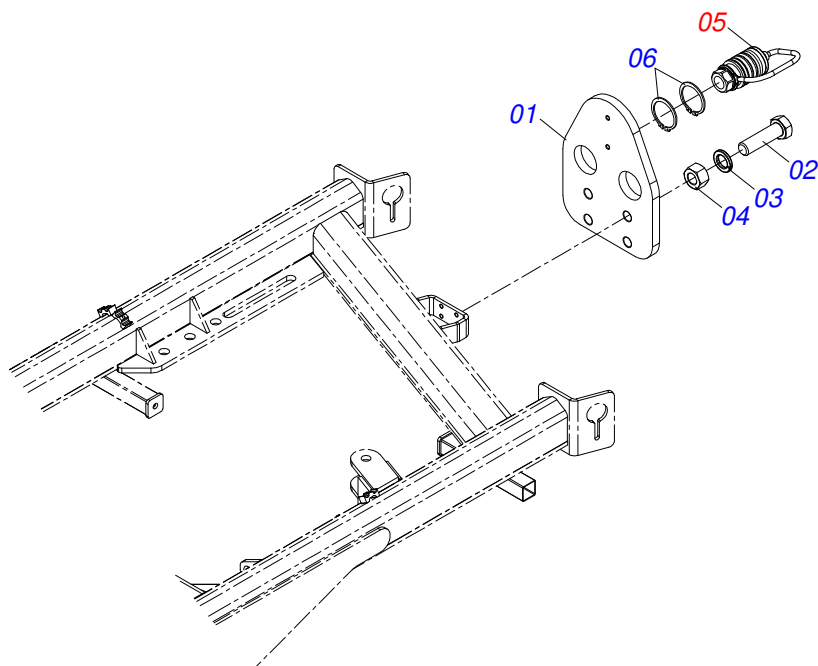
Item	Code	Description	See page	QT
01	0521061684	56,98 X 590,50 TURNBUCKLE		01
02	0521061685	114,30 X 500 CYLINDER CASE		01
03	0502012644	RING SUPPORT		01
04	0502011222	0.56" END CAP		01
05	0503010002	1800 GREASE FITTING		02
06	0503015715	SCRAPER SEALING		01
07	0503015642	U-CUP SEALING		01
08	0503015641	WEAR RING		00
09	0503011892	O' RING, 2-346 N 3006-9B		01
10	0503011893	BACK-UP RING, 8-346		01
11	0503030384	CON PLUG N-001		02
12	0503015640	SEALING SELEMASTER		01
13	0561016578	PISTON BODY		01
14	0581015283	BODY		01
15	0503819100	SCREW		01
16	0501038027	HYDRAULIC CYLINDER REPAIR KIT		01



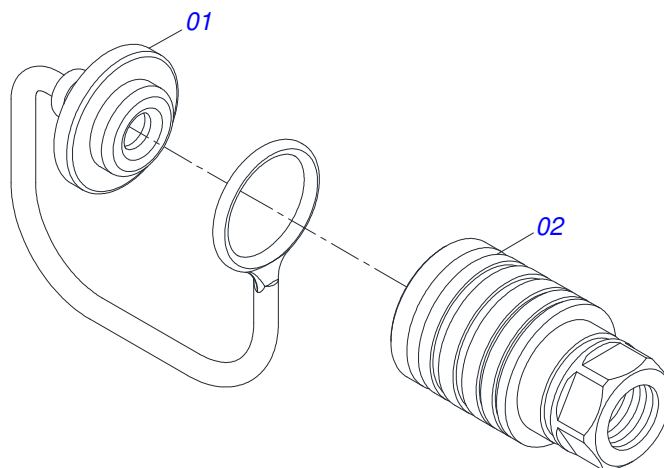
Item	Code	Description	See page	QT
01	0541016566	POINT AXIS 3.1/2 X 375		01
02	0503013314	RETAINER 5166-GB 63,5 X 110 X 13 ARCA		01
03	0503015290	3780/3720 ROLLER BEARING		01
04	0503014821	ROLLER BEARING		01
05	0503830009	1" X 0.9" CASTLE NUT		01
06	0503010018	5/32 X 1-1/2 COTTERPIN		01
07	0502020591	PROTECCION COVER		01
08	0511812492	FLAT WASHER		01
09	0503011444	SPRING WASHER		04
10	0503810358	5/16" X 7/8" UNC BOLT		04
11	0503010002	1800 GREASE FITTING		01
12	0501110738	CARRYING WHEEL HUB		01
12A	0502012260	TRANSPORT WHEEL BOX		01
12B	0501010186	WHEEL SCREW 5/8UNF X 2.1/8CR		08
12C	0503010064	5/8 UNF CONIC NUT		08



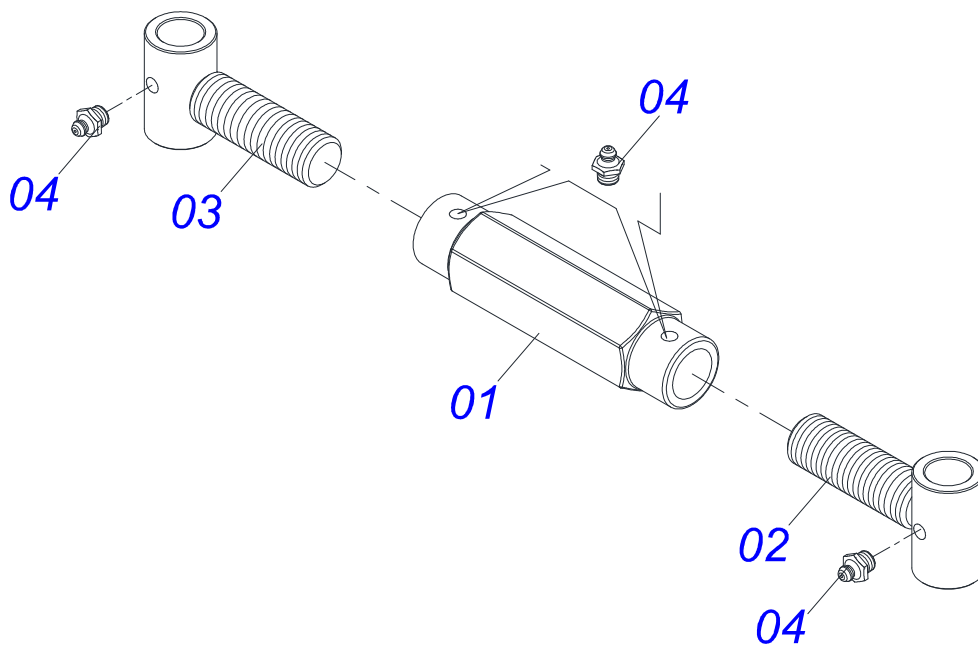
Item	Code	Description	See page	QT
01	0501069483	WHEEL		01
02	0503012112	400/60 - 15.5 TR 15 INNER TIRE		01
03	0503013119	CANVAS TIRE		01



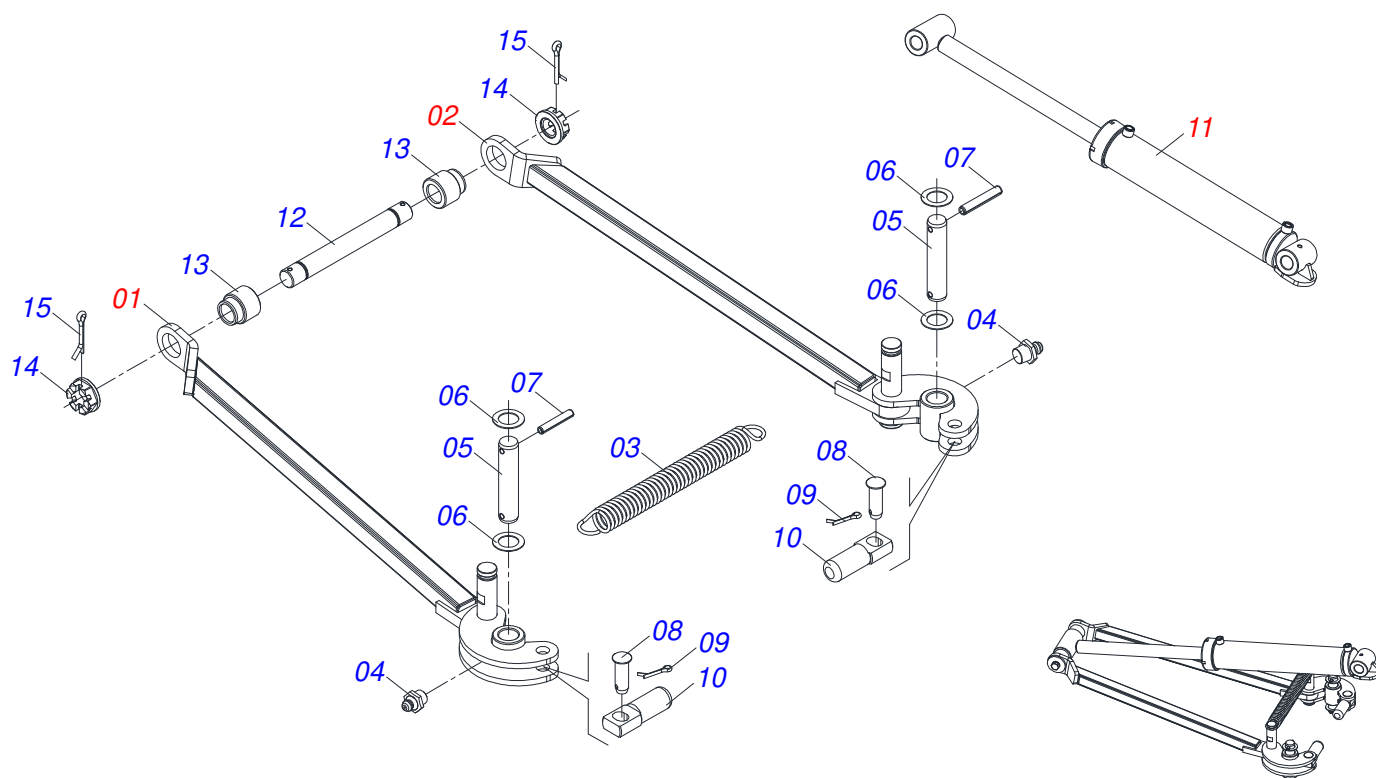
Item	Code	Description	See page	QT
01	0581010373	QUICK COUPLING SUPPORT		01
02	0503011082	C1/2" X 1.3/4" SCREW		04
03	0503010019	1/2" SPRING WASHER		04
04	0503010060	1/2" NUT		04
05	0501053835	FEMALE QUICK COUPLER	13	02
06	0503010217	501040 CLAMPING RING (FOR AXLE)		04



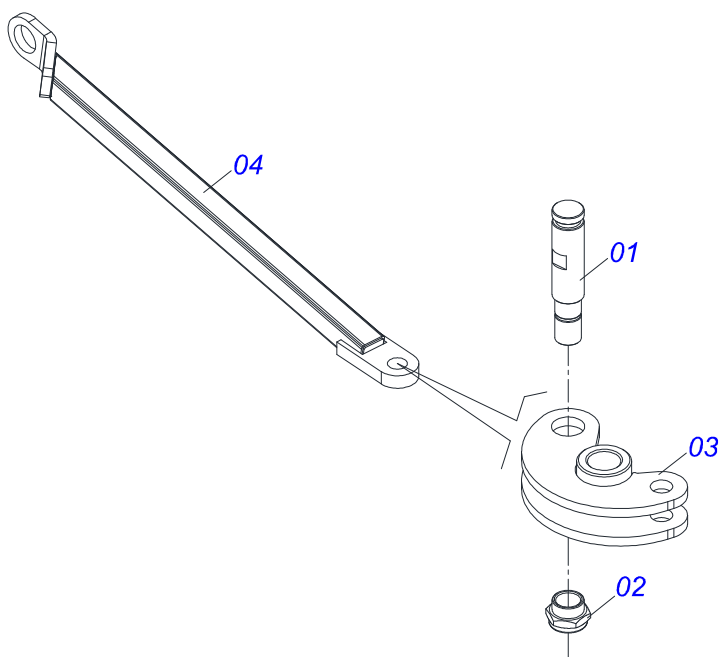
Item	Code	Description	See page	QT
01	0503011883	QUICK CONNECTION COVER		01
02	0503011628	FEMALE QUICK COUPLER		01



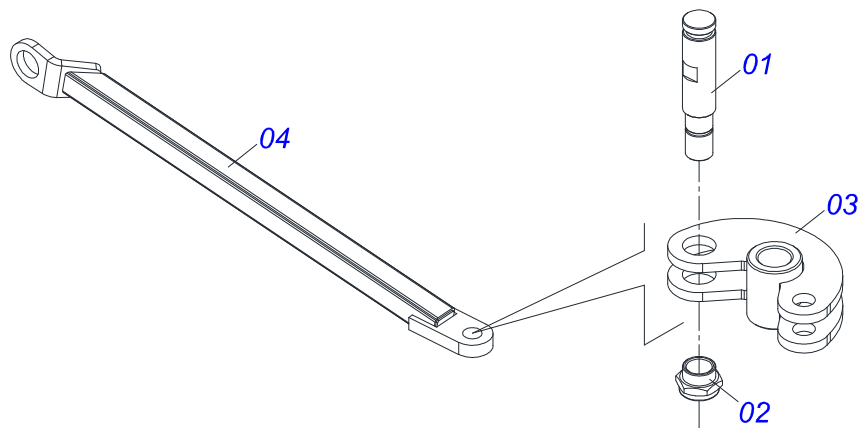
Item	Code	Description	See page	QT
01	0502011469	245 ADJUSTMENT NUT		01
02	0501069416	JACKET		01
03	0501069417	JACK CRANK		01
04	0503010002	1800 GREASE FITTING		04



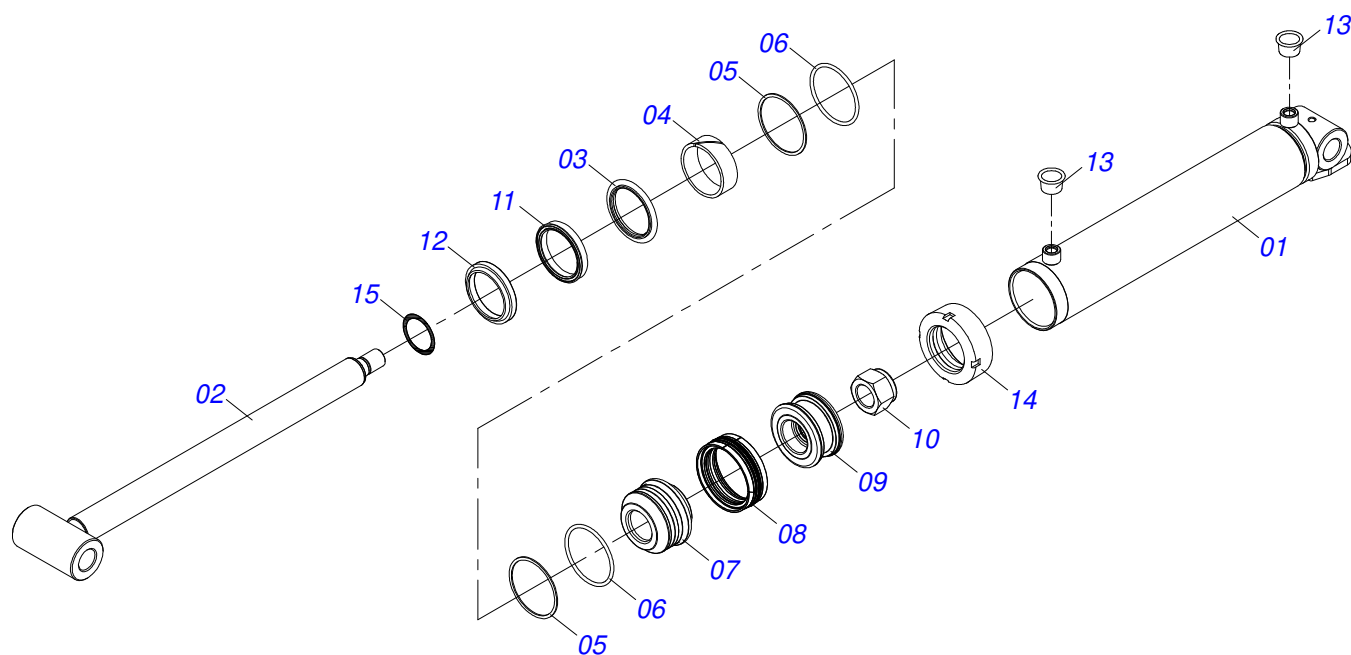
Item	Code	Description	See page	QT
01	0501057274	LH REAR DRIVER ARM	16	04
02	0501057273	PIVOT ARM ASSY	17	04
03	0503032537	50,7 X 325 X 6,35 TRACTION SPRING		04
04	0503010002	1800 GREASE FITTING		04
05	0541016677	37,20 X 177 COUPLING SHAFT		08
06	0511019685	FLAT WASHER		16
07	0503010361	SPRING PIN		16
08	0521010572	0.9" X 2.9" COUPLING SHAFT		08
09	0503010571	1/4" X 1.1/2 COTTERPIN		08
10	0541019253	FRAME LOCK AXLE		08
11	0511057940	HYDRAULIC CILINDER	18	04
12	0501210091	ARTICULATOR PIVOT AXIS		04
13	0541016614	38,20 X 62 X 61 SLEEVE		08
14	0501011301	1.1/2 UNC 6FPP 2.5/16 NUT		08
15	0503010010	1/4" X 2.1/2" COTTERPIN		08



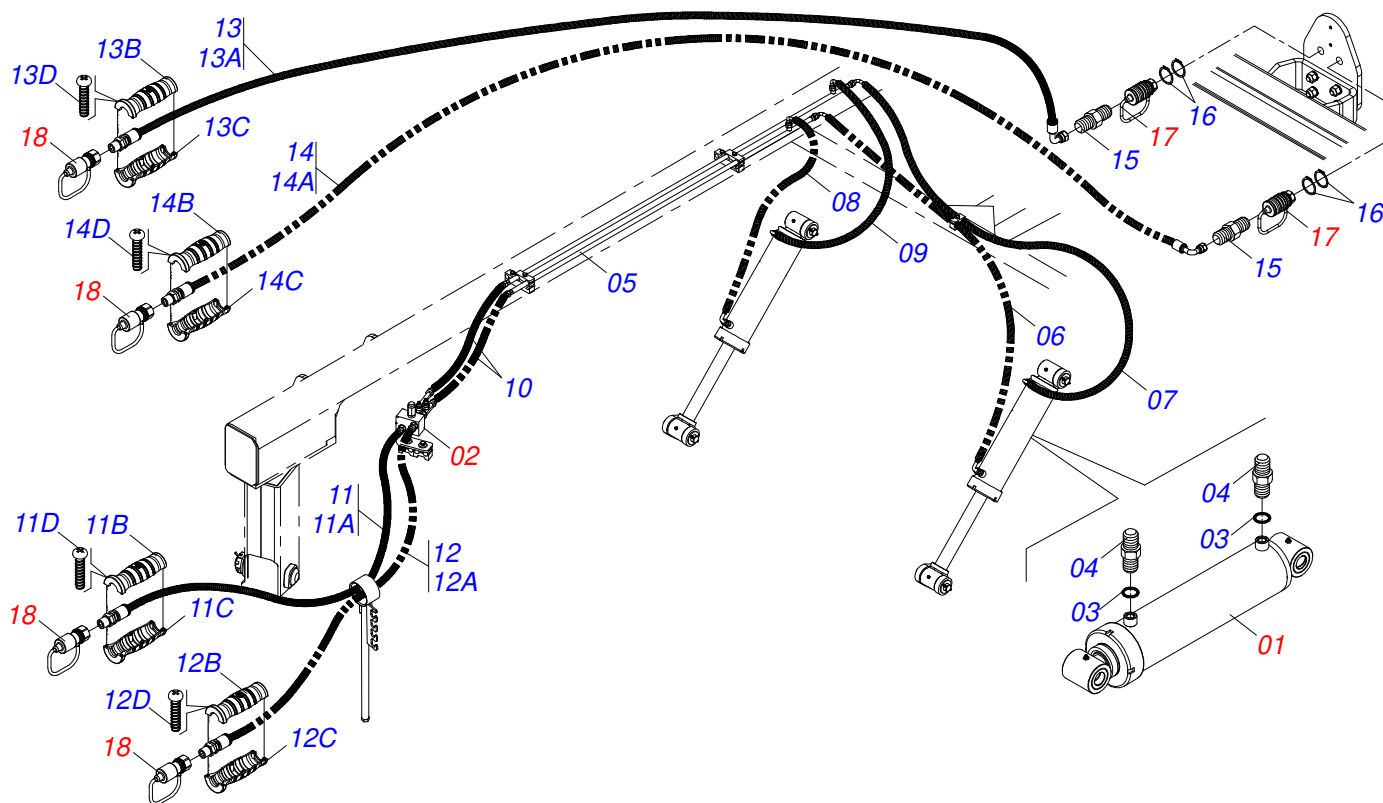
Item	Code	Description	See page	QT
001	0541016749	LOCK AXLE PIVOT		01
002	0541019258	1.1/4 ADJUSTING NUT		01
003	0511066497	LOK PIVOT		01
004	0511067210	DRIVER ARM		01



Item	Code	Description	See page	QT
001	0541016749	LOCK AXLE PIVOT		01
002	0541019258	1.1/4 ADJUSTING NUT		01
003	0511066497	LOK PIVOT		01
004	0511067209	FRONT DRIVER ARM		01



Item	Code	Description	See page	QT
01	0521066447	101,60 X 654,50 X 38,40 CYLINDER CASE		01
02	0521061439	50,80 X 751,50 X 38,40 TURNBUCKLE		01
03	0503018024	RING BS		01
04	0503018025	RING GUIDE		01
05	0503011061	8-342 BACK-UP RING		02
06	0503010338	2-342 N 3006-9B O'RING		02
07	0502012821	50.80 X 101.60 RING SUPPORT		01
08	0503015633	SELEMASTER SEALING		01
09	0502012820	50.80 X 101.60 PISTON		01
10	0503010817	1.1/4" SELF LOCKING NUT		01
11	0503018026	1870-2000-375 B GASKET		01
12	0503010039	D-2000 SCRAPER RING		01
13	0503030384	CON PLUG N-001		02
14	0502010017	4" HEAD		01
15	0503018029	2-217 O'RING		01



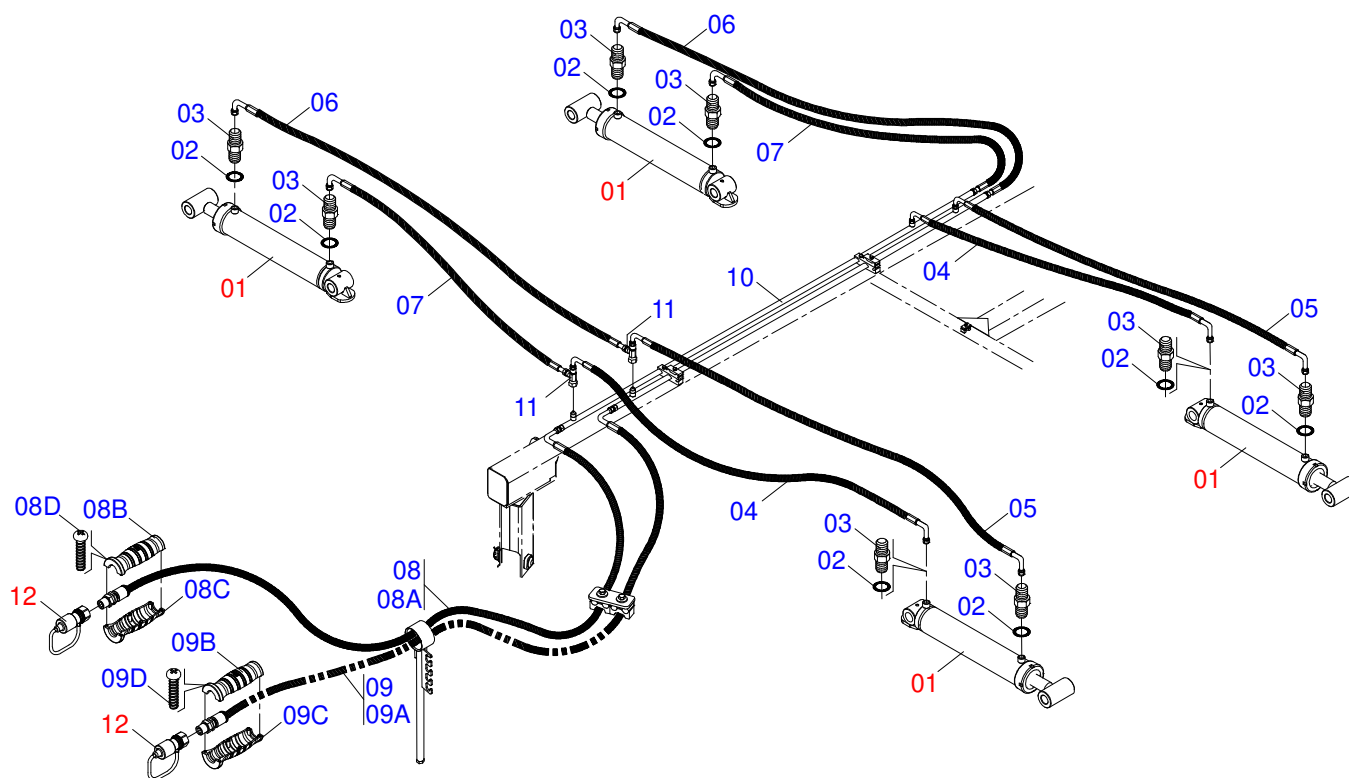
Item	Code	Description	See page	QT
01	0521051832	HYDRAULIC CYLINDER 53,98 X 114,30 X 654 X 346	9	02
02	0511059196	VALVE ASSY	5	01
03	0503010190	2-114 N 3006-9B O'RING		04
04	0501010617	3/4" NIPPLE		04
05	0521066937	DUCT DISTRIBUTOR OF OIL		02
06	0501080393	3/8 X 2200 TC-TC HOSE		01
07	0501080968	3/8 X 1800 TC-TC HOSE		01
08	0501080065	3/8 X 1200 TC-TC HOSE		01
09	0501082058	HOSE 3/8 X 800 TC-TC		01
10	0501080106	TR-TR HOSE ASSY		02
11	0521052495	HOSE 3/8 X 5500 TR-TM BLACK/RED		01
11A	0501080205	HOSE 3/8 X 5500 TR-TM		01
11B	0503034492	HYDRAULIC HOSE GRIP (BLACK)		01
11C	0503034495	HYDRAULIC HOSE GRIP (RED)		01
11D	0503018952	PLASTIC BOLT		06
12	0521052496	HOSE 3/8 X 5500 TR-TM BLACK/BLUE		01
12A	0501080205	HOSE 3/8 X 5500 TR-TM		01
12B	0503034492	HYDRAULIC HOSE GRIP (BLACK)		01
12C	0503034494	HYDRAULIC HOSE GRIP (BLUE)		01
12D	0503018952	PLASTIC BOLT		06
13	0521055696	3/8 X 11000 HOSE TC-TM GRAY / RED		01
13A	0501082028	3/8 X 11000 TC-TM HOSE		01
13B	0503034489	HYDRAULIC HOSE GAUNTLET (GRAY)		01
13C	0503034495	HYDRAULIC HOSE GRIP (RED)		01
13D	0503018952	PLASTIC BOLT		06
14	0521055697	3/8 X 11000 HOSE TC-TM GRAY / BLUE		01
14A	0501082028	3/8 X 11000 TC-TM HOSE		01
14B	0503034489	HYDRAULIC HOSE GAUNTLET (GRAY)		01
14C	0503034494	HYDRAULIC HOSE GRIP (BLUE)		01
14D	0503018952	PLASTIC BOLT		06
15	0571015342	3/4" NIPPLE		02



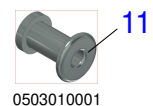
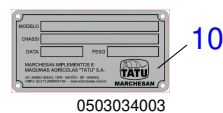
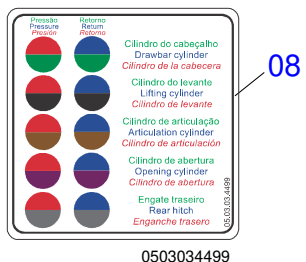
HYDRAULIC CIRCUIT OF THE WHEELS

0909098674

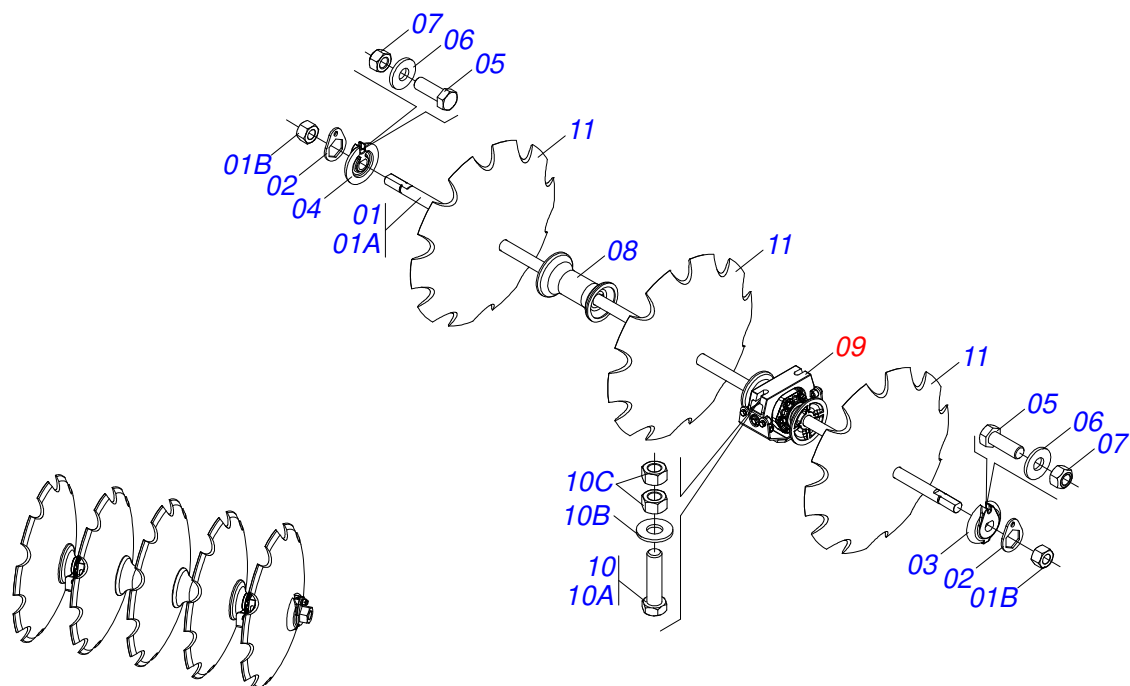
Item	Code	Description	See page	QT
16	0503010217	501040 CLAMPING RING (FOR AXLE)		04
17	0501053835	FEMALE QUICK COUPLER	13	02
18	0501053834	MALE QUICK COUPLER		04



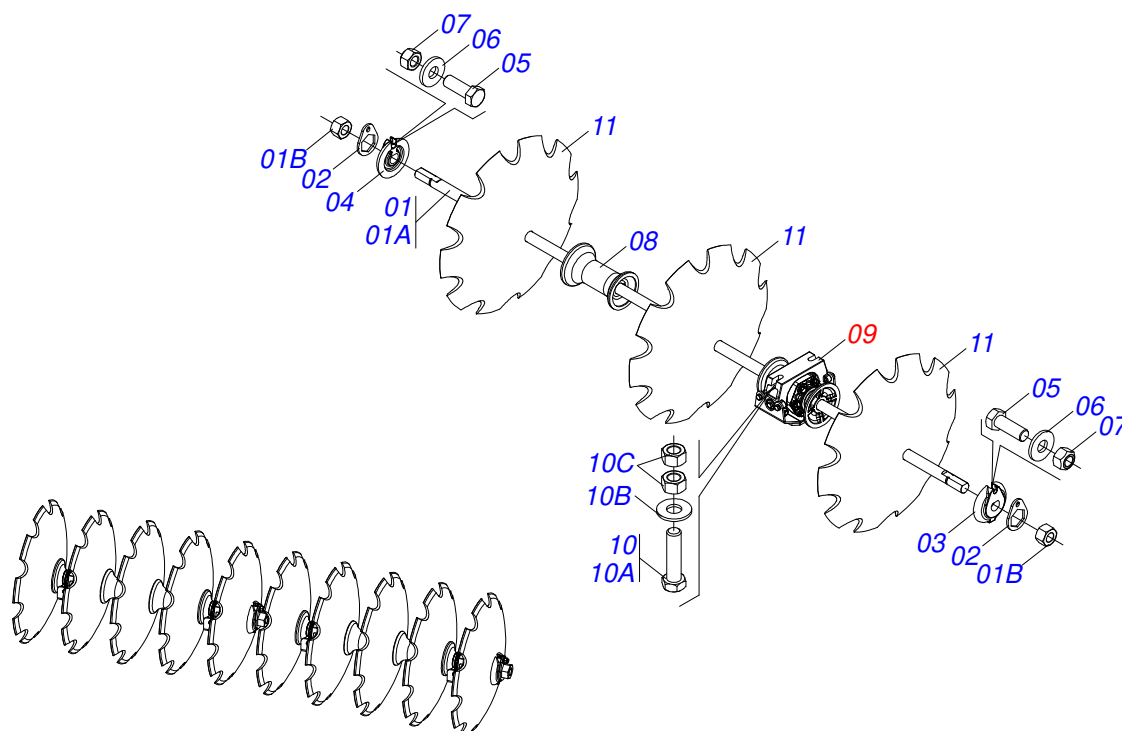
Item	Code	Description	See page	QT
01	0511057940	HYDRAULIC CILINDER	18	04
02	0503010190	2-114 N 3006-9B O'RING		08
03	0501010617	3/4" NIPPLE		08
04	0501080479	TC-TC HOSE ASSY		02
05	0501080749	3/8" X 141" TC-TC HOSE ASSY		02
06	0501080431	TR-TC HOSE ASSY		02
07	0501080025	3/8 X 1400 TR-TC HOSE		02
08	0521052945	HOSE 3/8 X 6100 TC-TM BROWN / RED		01
08A	0501080850	3/8" X 6100 TC-TM HOSE		01
08B	0503034490	HYDRAULIC HOSE GRIP (BROWN)		01
08C	0503034495	HYDRAULIC HOSE GRIP (RED)		01
08D	0503018952	PLASTIC BOLT		06
09	0521052944	HOSE 3/8 X 6100 TC-TM BROWN/BLUE		01
09A	0501080850	3/8" X 6100 TC-TM HOSE		01
09B	0503034490	HYDRAULIC HOSE GRIP (BROWN)		01
09C	0503034494	HYDRAULIC HOSE GRIP (BLUE)		01
09D	0503018952	PLASTIC BOLT		06
10	0521066126	DISTRIBUTOR OIL TUBE		02
11	0503011968	3/4" 8R6X-S T ADAPTER WITH SWIVEL NUT		02
12	0501053834	MALE QUICK COUPLER		02



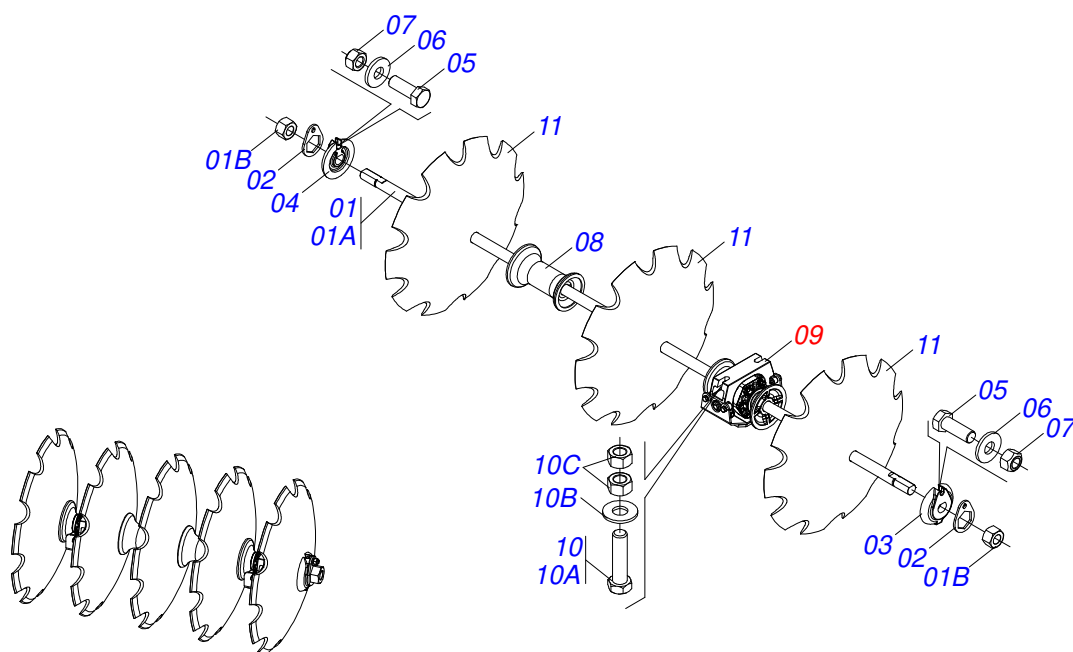
Item	Code	Description	See page	QT
01	0503033943	ADHESIVE LABEL		02
02	0503033428	ADHESIVE LABEL		02
03	0503031087	ADHESIVE LABEL		01
04	0503031827	LUBRICATE AND RETIGHTEN DAILY DECAL		01
05	0503031738	ADHESIVE LABEL		01
06	0503031896	DANGER DECAL		01
07	0503031739	ADHESIVE LABEL		01
08	0503034499	HOSE IDENTIFICATION DECAL		01
09	0503034078	LIFTING POINTS DECAL		04
10	0503034003	SERIAL NUMBER TAG 61 X 118		01
11	0503010001	3.2 X 5.5 RIVET		04



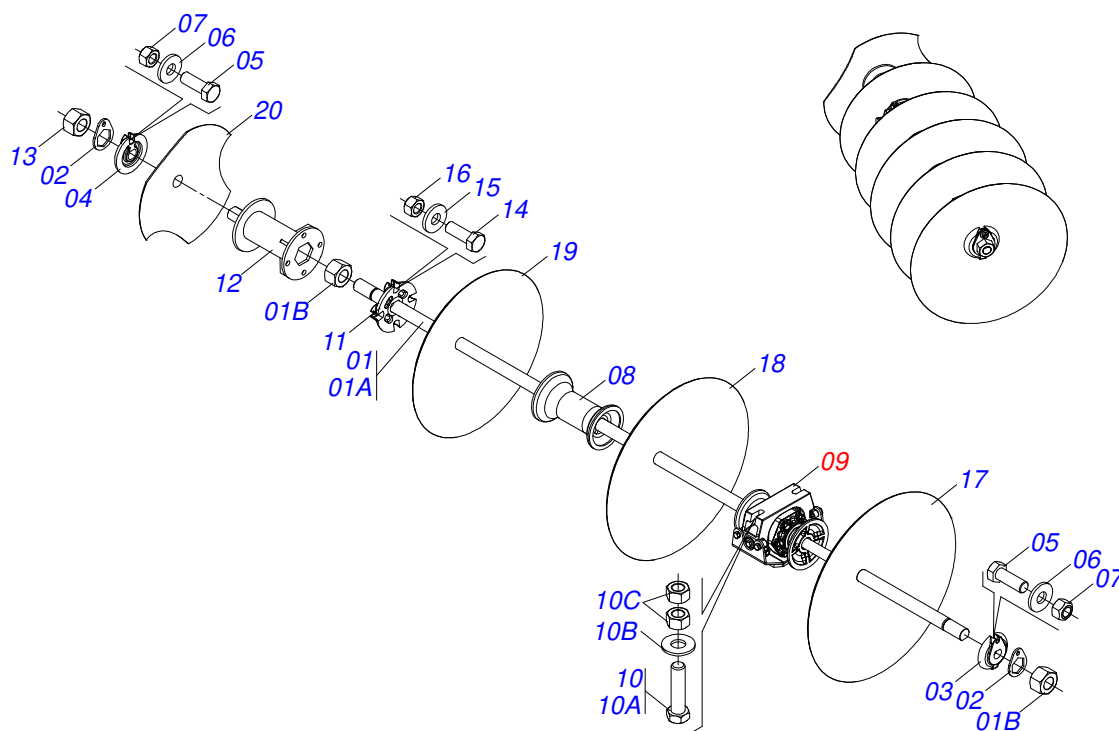
Item	Code	Description	See page	QT
01	0501046854	1-5/8" X 48" AXLE WITH NUTS 2-3/4		01
01A	0501019016	1-5/8 X 48" AXLE		01
01B	0502840640	1.5/8" 2.3/4" NUT		02
02	0511014339	1-5/8" 2.8" NUT LOCK		02
03	0502011048	1-5/8" EXTERNAL AXLE WASHER		01
04	0502011047	1-5/8" INNER AXLE WASHER		01
05	0503010232	5/8" X 1.3/4" BOLT		02
06	0501012140	FLAT WASHER		02
07	0503012412	5/8 UNC SELF LOCKING NUT		02
08	0502010703	10.35" 1-5/8" SPACER		02
09	0511048366	OSCILLATING BEARING ASSY	28	02
10	0521047424	SCREW ASSY		04
10A	0501010500	3/4"X3"BOLT		01
10B	0501010322	FLAT WASHER		01
10C	0503012183	SNC 3/4" ZIN 1K03097 NUT		02
11	0602040155	30 X 7,5 NOTCHED DISC BLADE		05



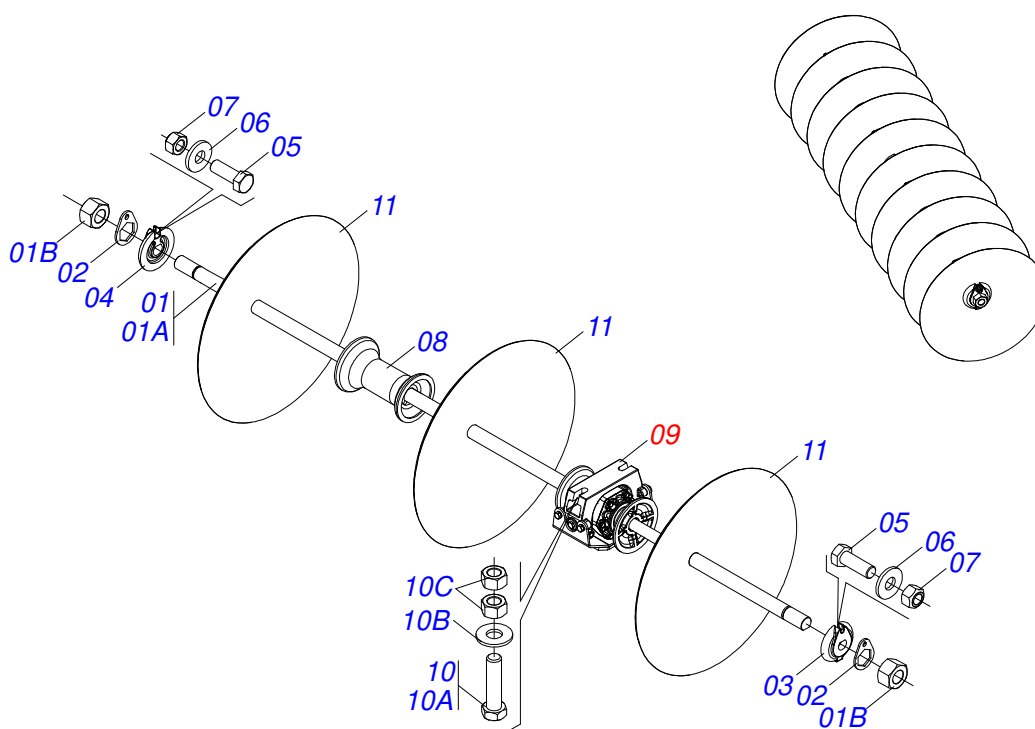
Item	Code	Description	See page	QT
01	0501046854	1-5/8" X 48" AXLE WITH NUTS 2-3/4		02
01A	0501019016	1-5/8 X 48" AXLE		01
01B	0502840640	1.5/8" 2.3/4" NUT		02
02	0511014339	1-5/8" 2.8" NUT LOCK		04
03	0502011048	1-5/8" EXTERNAL AXLE WASHER		02
04	0502011047	1-5/8" INNER AXLE WASHER		02
05	0503010232	5/8" X 1.3/4" BOLT		04
06	0501012140	FLAT WASHER		04
07	0503012412	5/8 UNC SELF LOCKING NUT		04
08	0502010703	10.35" 1-5/8" SPACER		04
09	0511048366	OSCILLATING BEARING ASSY	28	04
10	0521047424	SCREW ASSY		08
10A	0501010500	3/4"X3"BOLT		01
10B	0501010322	FLAT WASHER		01
10C	0503012183	SNC 3/4" ZIN 1K03097 NUT		02
11	0602040155	30 X 7,5 NOTCHED DISC BLADE		10



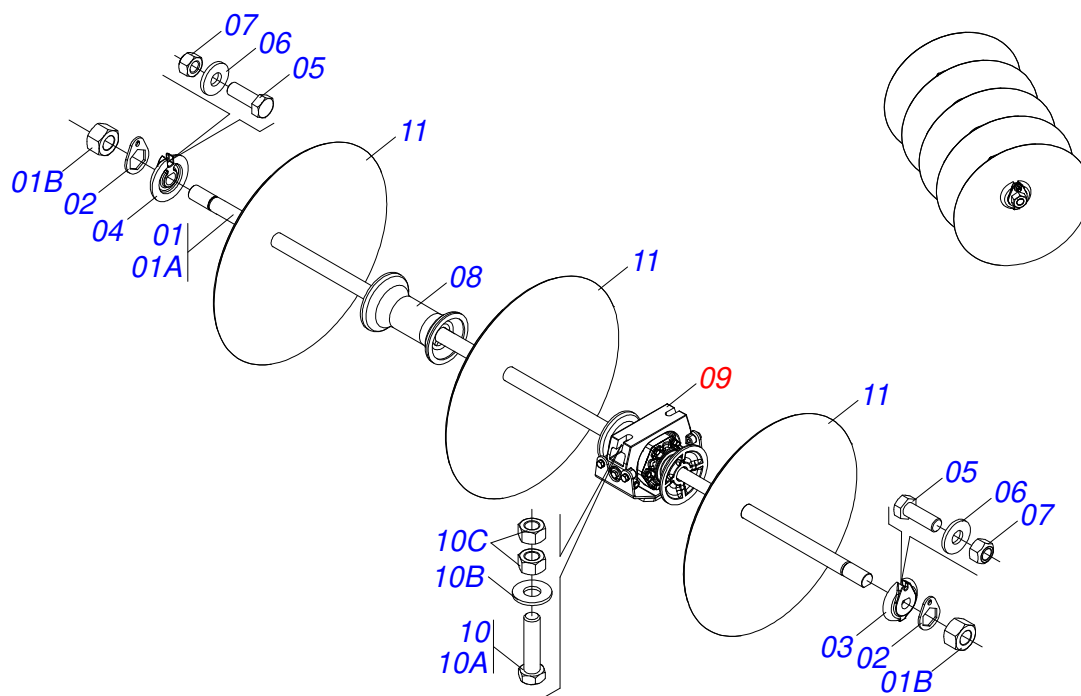
Item	Code	Description	See page	QT
01	0501046854	1-5/8" X 48" AXLE WITH NUTS 2-3/4		01
01A	0501019016	1-5/8 X 48" AXLE		01
01B	0502840640	1.5/8" 2.3/4" NUT		02
02	0511014339	1-5/8" 2.8" NUT LOCK		02
03	0502011048	1-5/8" EXTERNAL AXLE WASHER		01
04	0502011047	1-5/8" INNER AXLE WASHER		01
05	0503010232	5/8" X 1.3/4" BOLT		02
06	0501012140	FLAT WASHER		02
07	0503012412	5/8 UNC SELF LOCKING NUT		02
08	0502010703	10.35" 1-5/8" SPACER		02
09	0511048366	OSCILLATING BEARING ASSY	28	02
10	0521047424	SCREW ASSY		04
10A	0501010500	3/4"X3"BOLT		01
10B	0501010322	FLAT WASHER		01
10C	0503012183	SNC 3/4" ZIN 1K03097 NUT		02
11	0602040155	30 X 7,5 NOTCHED DISC BLADE		05



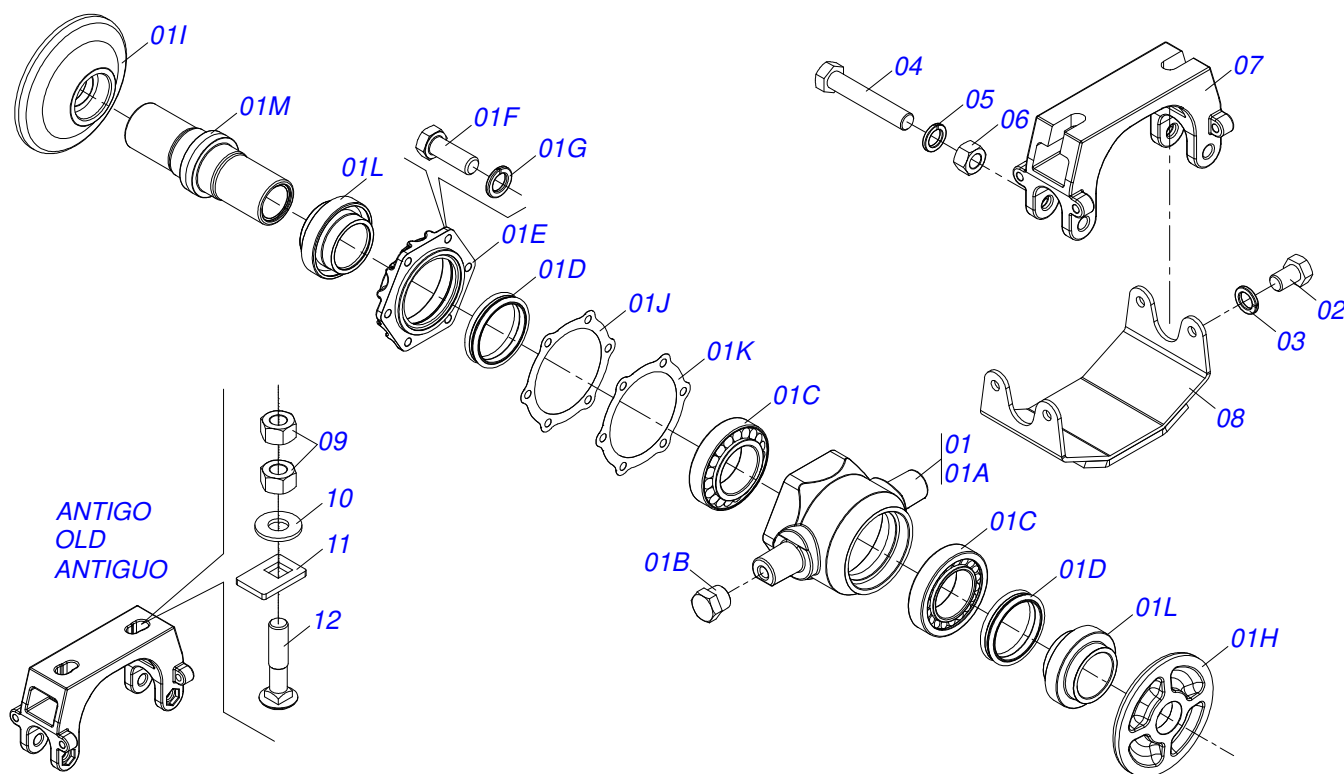
Item	Code	Description	See page	QT
01	0501046854	1-5/8" X 48" AXLE WITH NUTS 2-3/4		01
01A	0501019016	1-5/8 X 48" AXLE		01
01B	0502840640	1.5/8" 2.3/4" NUT		02
02	0511014339	1-5/8" 2.8" NUT LOCK		02
03	0502011047	1-5/8" INNER AXLE WASHER		01
04	0502011048	1-5/8" EXTERNAL AXLE WASHER		01
05	0503010232	5/8" X 1.3/4" BOLT		02
06	0501012140	FLAT WASHER		02
07	0503012412	5/8 UNC SELF LOCKING NUT		02
08	0502010703	10.35" 1-5/8" SPACER		02
09	0511048366	OSCILLATING BEARING ASSY	28	02
10	0521047424	SCREW ASSY		04
10A	0501010500	3/4"X3"BOLT		01
10B	0501010322	FLAT WASHER		01
10C	0503012183	SNC 3/4" ZIN 1K03097 NUT		02
11	1902012377	EXTERNAL SHAFT LOCK 1.5 / 8 FURROW FILLER		01
12	0511067146	10.35" AXLE 1-5/8" SPACER		01
13	0502840640	1.5/8" 2.3/4" NUT		01
14	0503010232	5/8" X 1.3/4" BOLT		04
15	0501012140	FLAT WASHER		04
16	0503012412	5/8 UNC SELF LOCKING NUT		04
17	0601042074	DL30X7,5 C105AF02FR1.11/16 TATU		03
18	0601039833	DL28X7,5 C102AF02FR1.11/16 TATU		01
19	0601033215	26"X 0.2" PLAIN DISC BLADE		01
20	0602030445	24 X 6 NOTCHED DISC BLADE		01



Item	Code	Description	See page	QT
01	0501046854	1-5/8" X 48" AXLE WITH NUTS 2-3/4		02
01A	0501019016	1-5/8 X 48" AXLE		01
01B	0502840640	1.5/8" 2.3/4" NUT		02
02	0511014339	1-5/8" 2.8" NUT LOCK		04
03	0502011047	1-5/8" INNER AXLE WASHER		02
04	0502011048	1-5/8" EXTERNAL AXLE WASHER		02
05	0503010232	5/8" X 1.3/4" BOLT		04
06	0501012140	FLAT WASHER		04
07	0503012412	5/8 UNC SELF LOCKING NUT		04
08	0502010703	10.35" 1-5/8" SPACER		04
09	0511048366	OSCILLATING BEARING ASSY	28	04
10	0521047424	SCREW ASSY		08
10A	0501010500	3/4"X3"BOLT		01
10B	0501010322	FLAT WASHER		01
10C	0503012183	SNC 3/4" ZIN 1K03097 NUT		02
11	0601042074	DL30X7,5 C105AF02FR1.11/16 TATU		10



Item	Code	Description	See page	QT
01	0501046854	1-5/8" X 48" AXLE WITH NUTS 2-3/4		01
01A	0501019016	1-5/8 X 48" AXLE		01
01B	0502840640	1.5/8" 2.3/4" NUT		02
02	0511014339	1-5/8" 2.8" NUT LOCK		02
03	0502011047	1-5/8" INNER AXLE WASHER		01
04	0502011048	1-5/8" EXTERNAL AXLE WASHER		01
05	0503010232	5/8" X 1.3/4" BOLT		02
06	0501012140	FLAT WASHER		02
07	0503012412	5/8 UNC SELF LOCKING NUT		02
08	0502010703	10.35" 1-5/8" SPACER		02
09	0511048366	OSCILLATING BEARING ASSY	28	02
10	0521047424	SCREW ASSY		04
10A	0501010500	3/4"X3"BOLT		01
10B	0501010322	FLAT WASHER		01
10C	0503012183	SNC 3/4" ZIN 1K03097 NUT		02
11	0601042074	DL30X7,5 C105AF02FR1.11/16 TATU		05



Item	Code	Description	See page	QT
01	0501059723	OSCILLATING BEARING		01
01A	0502012343	AGRICULTURAL HOUSING BEARING		01
01B	0503010856	OIL PLUG		02
01C	0503013496	3982/3920 ROLLER BEARING		02
01D	0503030027	DUO-CONE SEAL		02
01E	0502020161	WEAR PLATE BEARING		01
01F	0503010237	3/8" X 1" BOLT		06
01G	0503011443	3/8" SPRING WASHER		06
01H	0502040240	INNER FLANGE		01
01I	0502040239	OUTER FLANGE		01
01J	0503030030	5.6" X 4.4" X 0.01" GASKET		01
01K	0503030685	5.5" X 4.4" X 0.003" GASKET		01
01L	0502010736	SEAL RETAINER		02
01M	0502010740	AXLE TK		01
02	0503011401	1/2" X 3/4" BOLT		04
03	0503010019	1/2" SPRING WASHER		04
04	0503010762	SCREW 5/8 UNC X 3.1/2 CS G.5 ZN		02
05	0503010027	5/8" SPRING WASHER		02
06	0503010013	5/8" NUT		02
07	0502012626	CENTER OSCILLATING BEARING SUPPORT		01
08	0521067341	BEARING SWING COVER WITH ENHANCED		01
09	0503010014	3/4" NUT		04
10	0501010322	FLAT WASHER		02
11	0541014269	3/4 SQUARE WASHER		02
12	0501010950	3/4" X 3-1/2" BOLT		02



MARCHESAN

Technical Publications | Elaboration and Revision

ALESSANDRA PATRICIA KAWAHARA CARRILI

www.marchesan.com.br

