

PCA - AGRICULTURAL FRONT LOADER

PCA 800 AR VALTRA A114/A124/A134 BT CDC JS S/AC

Code: 0501092628
Series: S-0418
Revision: 00
Date Revision: JULHO/2022

PARTS CATALOGUE



MARCHESAN



PRODUCTS

Code	Description
0106111812	PCA 800 AR VTR A114/A124/A134 BT CDC JS S/AC

ATTENTION: IMPORTANT

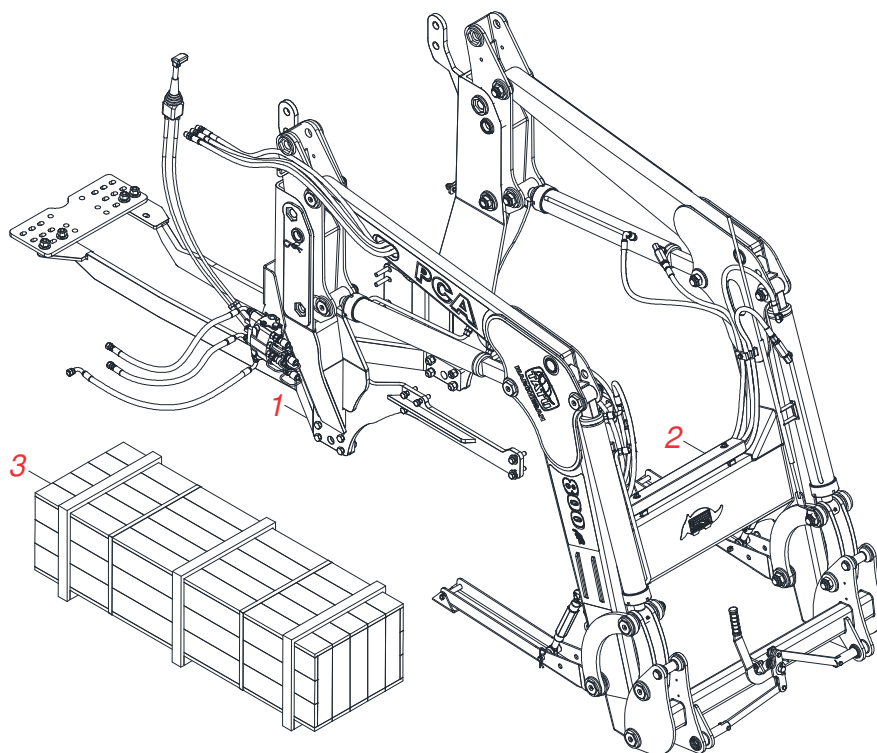
Marchesan S.A. reserves the right to improve and/or modify the technical features of its products, without obligation to do the same with those products already sold and without prior knowledge of the dealer or the consumer. The photos are only illustrative.



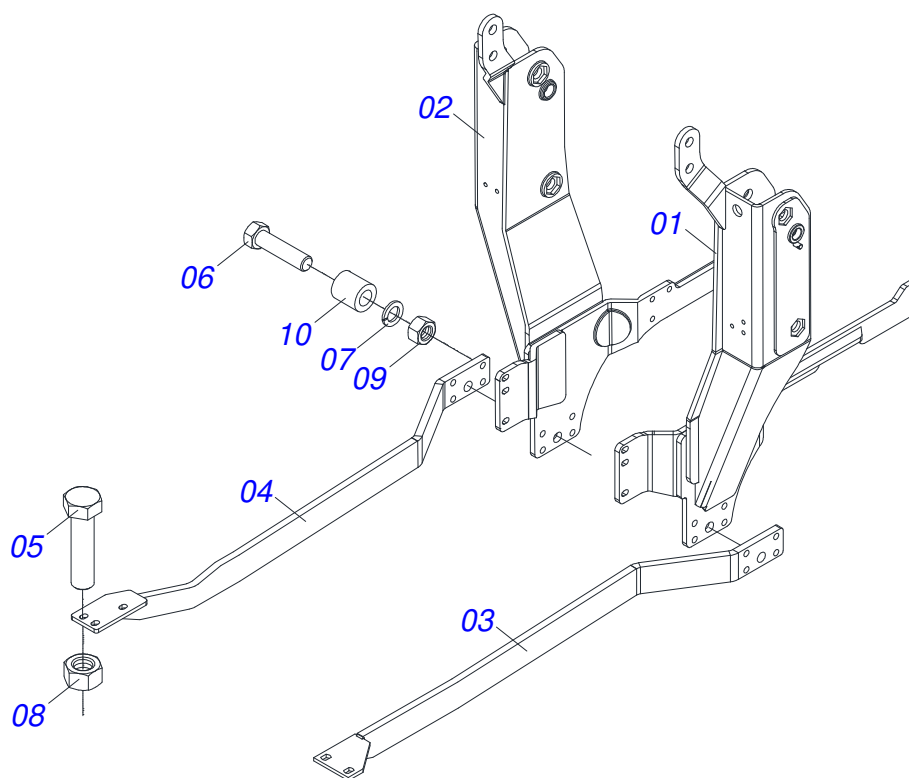
MARCHESAN

INDEX

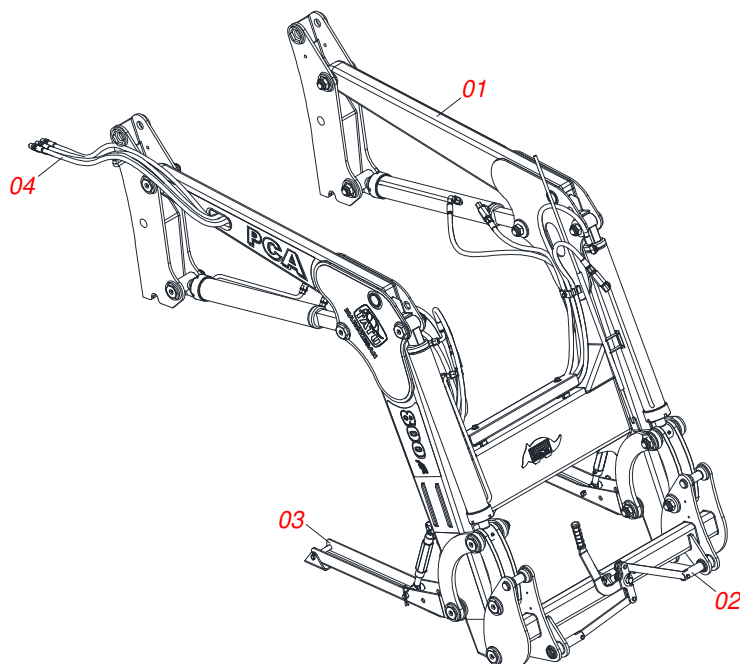
0106111812	PCA 800 AR VTR A114/A124/A134 BT CDC JS S/AC	1
0521047934	FRAME ASSEMBLY WITH DRAWBAR	2
0521047903	MOBILE SUPPORT ASSY	3
0909095397	MOBILE SUPPORT / TOWER	4
0909095399	ARTICULATION	5
0909095400	PLOUGH SET	6
0909095418	HIDRAULIC SYSTEM OF THE MOBILLE SUPPORT	7
0511057771	R.7/8UNF - SAFETY VALVE	8
0521052499	RIGHT HYDRAULIC CYLINDER	9
0521052500	RH HYDRAULIC CYLINDER	10
0521052497	HYDRAULIC CYLINDER	11
0521052501	LEFT HYDRAULIC CYLINDER	12
0521024390	BOX WITH COMPONENTS	13
0521047927	1/2" CONTROL	14
0521045393	SET SUPPORT JOY STICK	15
0521047924	ROD	16
0511043351	1.1/4" X 40" ROD	17
0521052701	HOSE ASSY	18
0511033112	PACKED PARTS	19



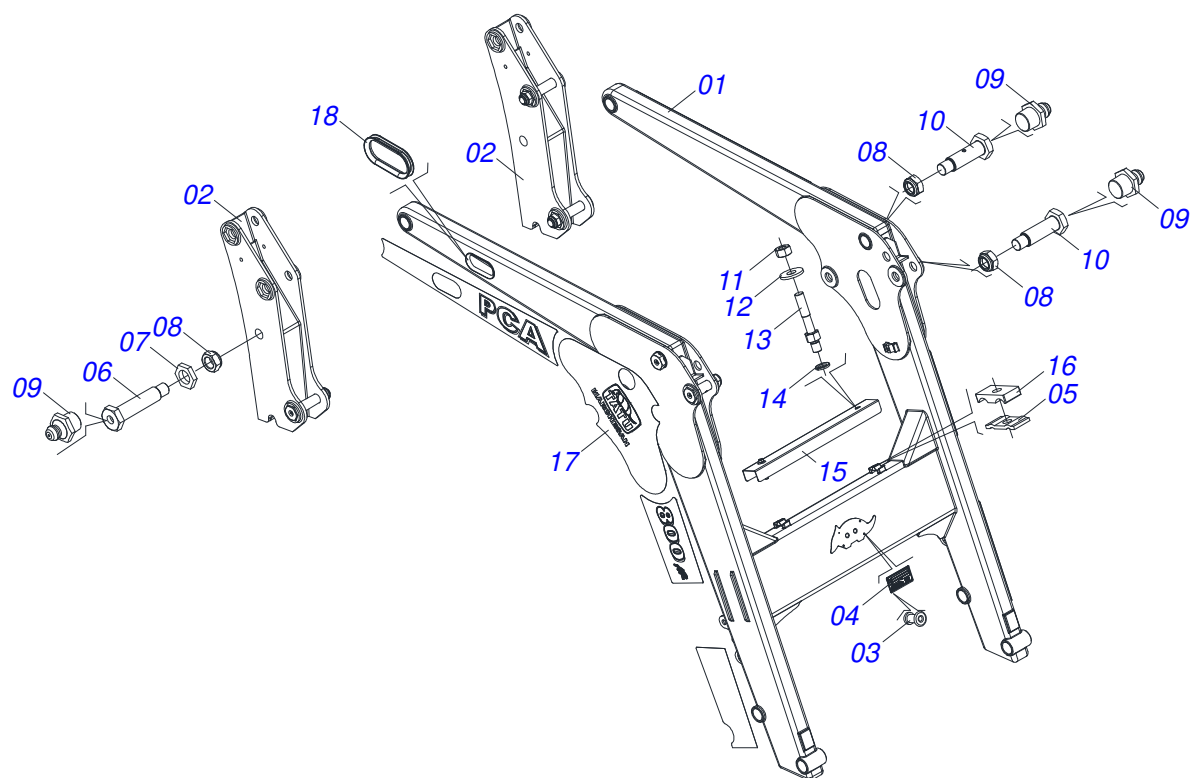
Item	Code	Description	See page	QT
001	0521047934	FRAME ASSEMBLY WITH DRAWBAR	2	01
002	0521047903	MOBILE SUPPORT ASSY	3	01
003	0521024390	BOX WITH COMPONENTS	13	01



Item	Code	Description	See page	QT
01	0521068518	RIGHT FRAME		01
02	0521068515	LEFT FRAME		01
03	0521068622	RIGHT BAR		01
04	0521068621	LEFT BAR		01
05	0503010233	5/8" X 2-1/2" BOLT		02
06	0503011084	3/4" X 5" BOLT		04
07	0503010023	3/4" SPRING WASHER		04
08	0503010013	5/8" NUT		02
09	0503010014	3/4" NUT		04
10	0581015170	SLEEVE		04

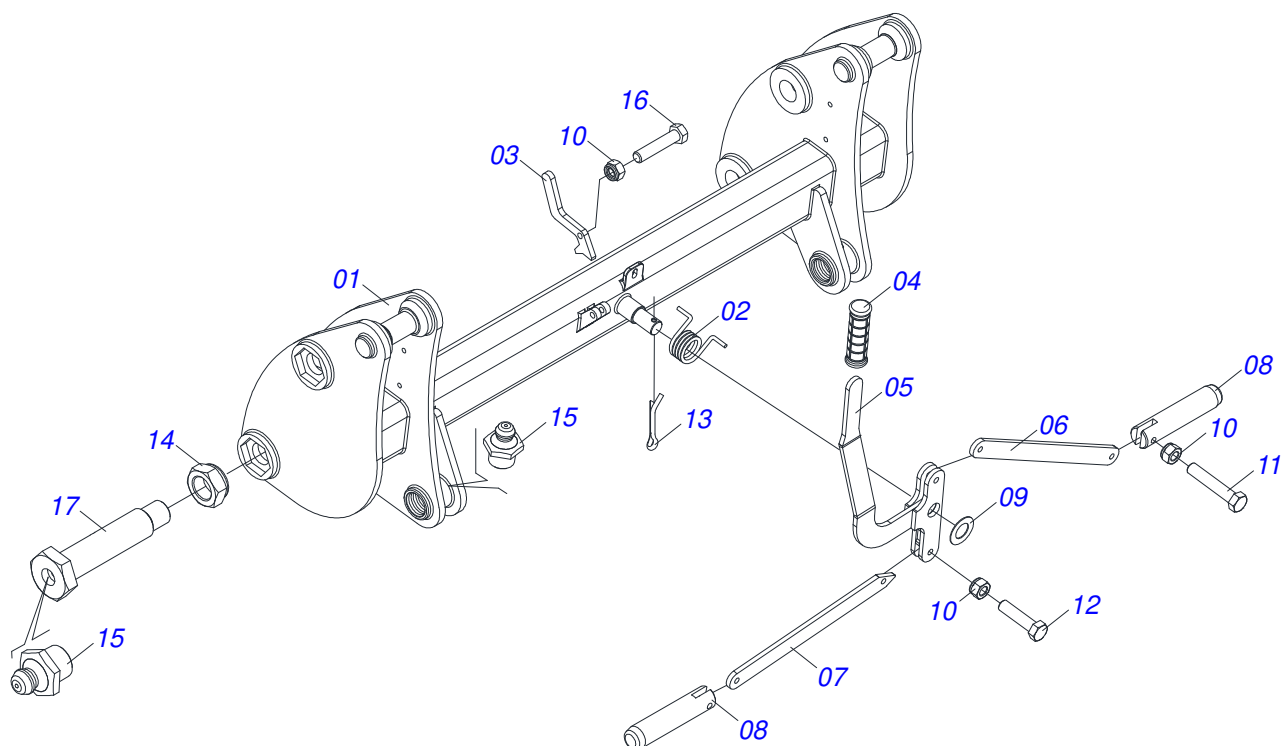


Item	Code	Description	See page	QT
01	0909095397	MOBILE SUPPORT / TOWER	4	01
02	0909095399	ARTICULATION	5	01
03	0909095400	PLOUGH SET	6	01
04	0909095418	HIDRAULIC SYSTEM OF THE MOBILLE SUPPORT	7	01



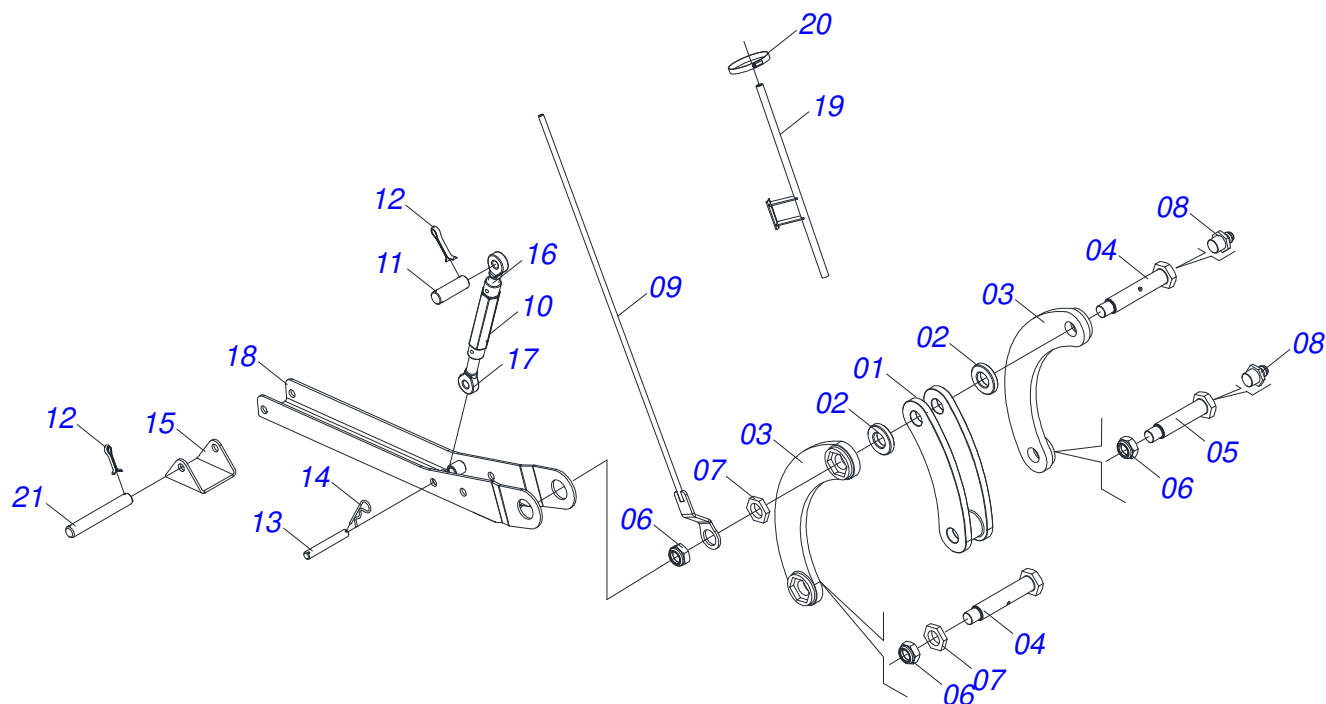
Item	Code	Description	See page	QT
01	0521068511	MOBILE SUPPORT		01
02	0521068535	TOWER		02
03	0503010001	3.2 X 5.5 RIVET		04
04	0503034003	SERIAL NUMBER TAG 61 X 118		01
05	0531011180	UPPER BODY CLIP		02
06	0581016851	BOLT		06
07	0581010243	WASHER HEX		06
08	0503010044	1-1/4" SELF LOCKING NUT		10
09	0503010002	1800 GREASE FITTING		10
10	0581016852	BOLT		04
11	0503010244	7/16" NUT		02
12	0501012803	FLAT WASHER		02
13	0581014286	PRISONER		02
14	0503010180	7/16" SPRING WASHER		02
15	0581017751	HOSE PROTECTION		01
16	0502010477	HOSE CLAMP		02
17	0503062769	ADHESIVE STICKER ASSY		01
18	0503035468	HOSE PROTECTION		02

ARTICULATION

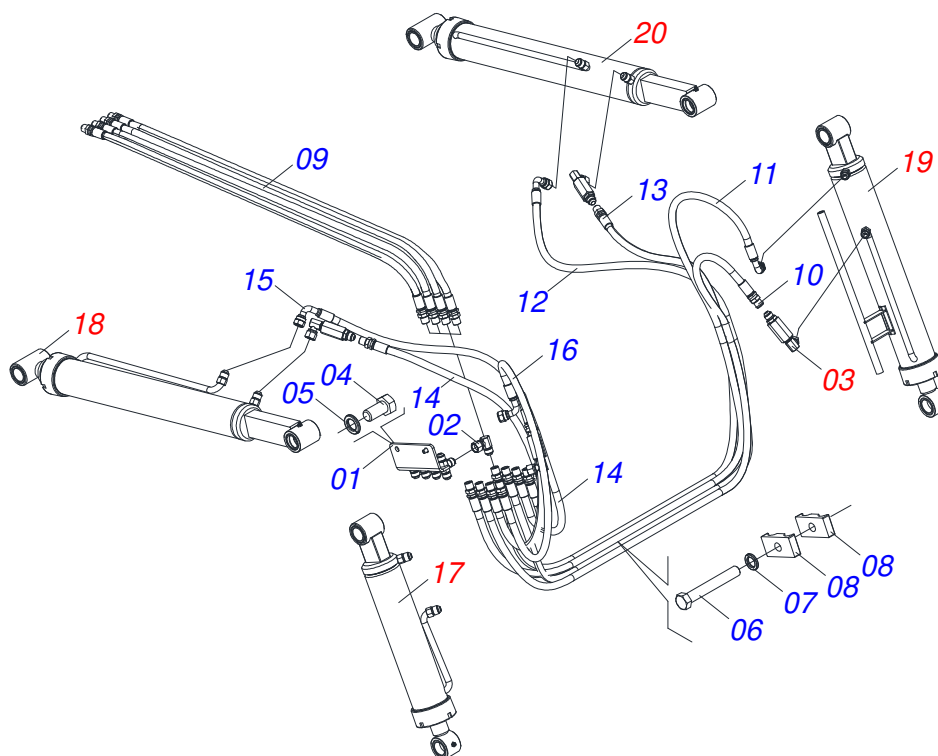


Item	Code	Description	See page	QT
01	0521065697	ARTICULATOR		01
02	0503034192	TORSION SPRING		01
03	0571018934	PENDULUM LOCKS		01
04	0503037382	Ø25 X 120 PVC HANDLE		01
05	0521065888	LEVER		01
06	0571018935	SPRING SUPPORT ARM		01
07	0571018125	RIGHT ARM OF THE UNLOCK		01
08	0571018129	PIN LOCK ACCESSORY		02
09	0561811883	28,5 X 51,5 X 1,50 SA FLAT WASHER		01
10	0503013357	3/8" SELF-ADJUSTING NUT		05
11	0503011236	3/8" X 2" BOLT		02
12	0503010849	3/8" X 1-1/2" BOLT		02
13	0503010523	1/4" X 2" COTTERPIN		01
14	0503010044	1-1/4" SELF LOCKING NUT		02
15	0503010002	1800 GREASE FITTING		04
16	0501011532	3/8" X 1-3/4" BOLT		01
17	0581016851	BOLT		02

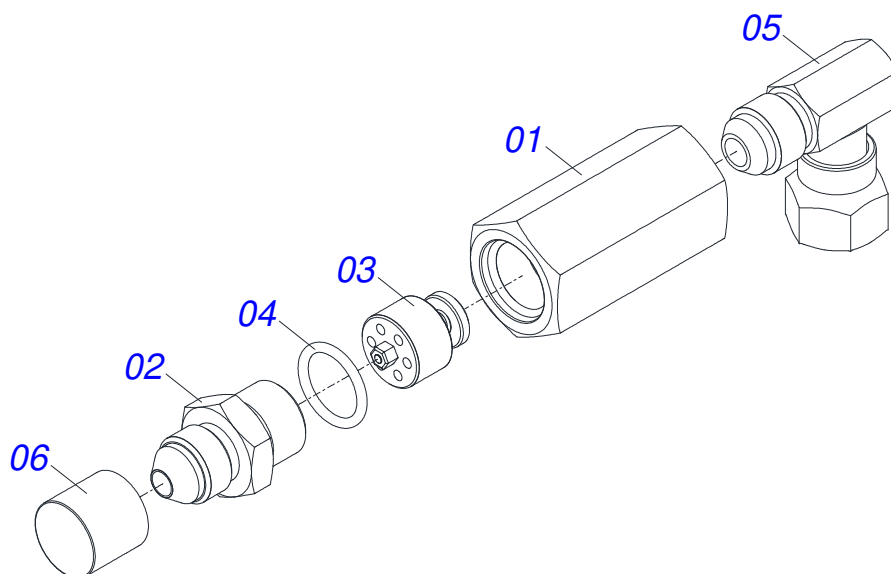
PLOUGH SET



Item	Code	Description	See page	QT
01	0521068483	SMALLER COPY	02	
02	0551010951	SLEEVE	04	
03	0521068503	COPIER LARGER ARM	04	
04	0581016853	BOLT	04	
05	0581016851	BOLT	02	
06	0503010044	1-1/4" SELF LOCKING NUT	06	
07	0581010243	WASHER HEX	08	
08	0503010002	1800 GREASE FITTING	06	
09	0521068692	LEVEL ROD	01	
10	0502012530	REGULATOR NUT BODY R1	02	
11	0561015578	3/4 X 56 PCA VTR A750 COUPLING SHAFT	02	
12	0503010071	3/16" X 1" COTTERPIN	08	
13	0511013598	3/4" X 4.7" COUPLING SHAFT	02	
14	0503030012	HITCH PIN CLIP	02	
15	0571018252	REST BASE	02	
16	0502012562	LEFT SPINDLE R1 X 160	04	
17	0502012529	RIGHT SPINDLE R1 X 160	04	
18	0521068520	PLOUGH SUPPORT ARM	02	
19	0521067968	ROD GUIDE	01	
20	0503011372	102 TO 121 CLAMP	01	
21	0521012777	COUPLING SHAFT	02	

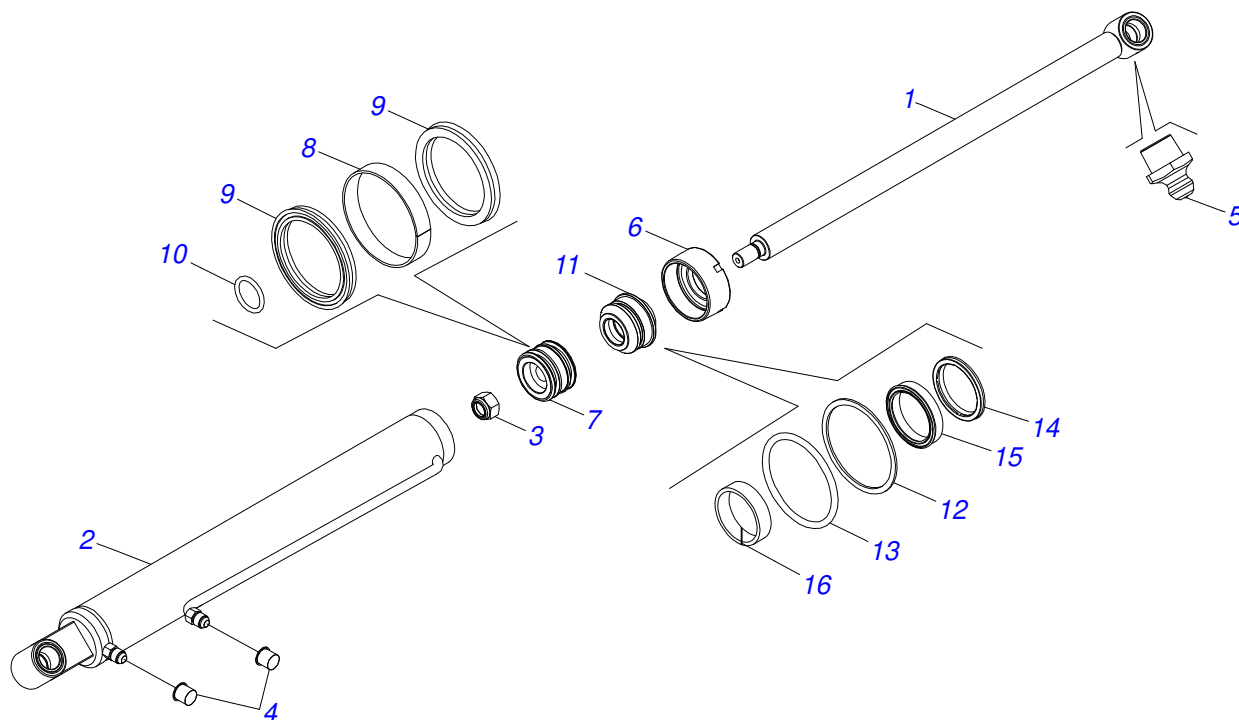


Item	Code	Description	See page	QT
01	0521068963	DIVIDING		01
02	0503018033	37 X R.7/8 UNF 90° JIC MALE CONNECTOR WITH ROTATING NUT		04
03	0511057771	R.7/8UNF - SAFETY VALVE	8	04
04	0503010256	3/8" X 3/4" BOLT		02
05	0503010025	3/8" SPRING WASHER		02
06	0503010850	BOLT 7/16 UNC X 3 CS G.5 ZN		01
07	0503010180	7/16" SPRING WASHER		01
08	0502010477	HOSE CLAMP		01
09	0501080828	HOSE		04
10	0501080603	HOSE		01
11	0501080618	1/2" X 2200 TR-TC HOSE		01
12	0501081388	1/2 X 2350 TR-TC HOSE		01
13	0501082044	HOSE		01
14	0501080021	1/2 X 1300 TR-TR HOSE ASSY		02
15	0501080059	1/2" X 61" TR-TC HOSE ASSY		01
16	0501080030	1/2" X 53" TR-TC HOSE ASSY		01
17	0521052499	RIGHT HYDRAULIC CYLINDER	9	01
18	0521052500	RH HYDRAULIC CYLINDER	10	01
19	0521052497	HYDRAULIC CYLINDER	11	01
20	0521052501	LEFT HYDRAULIC CYLINDER	12	01

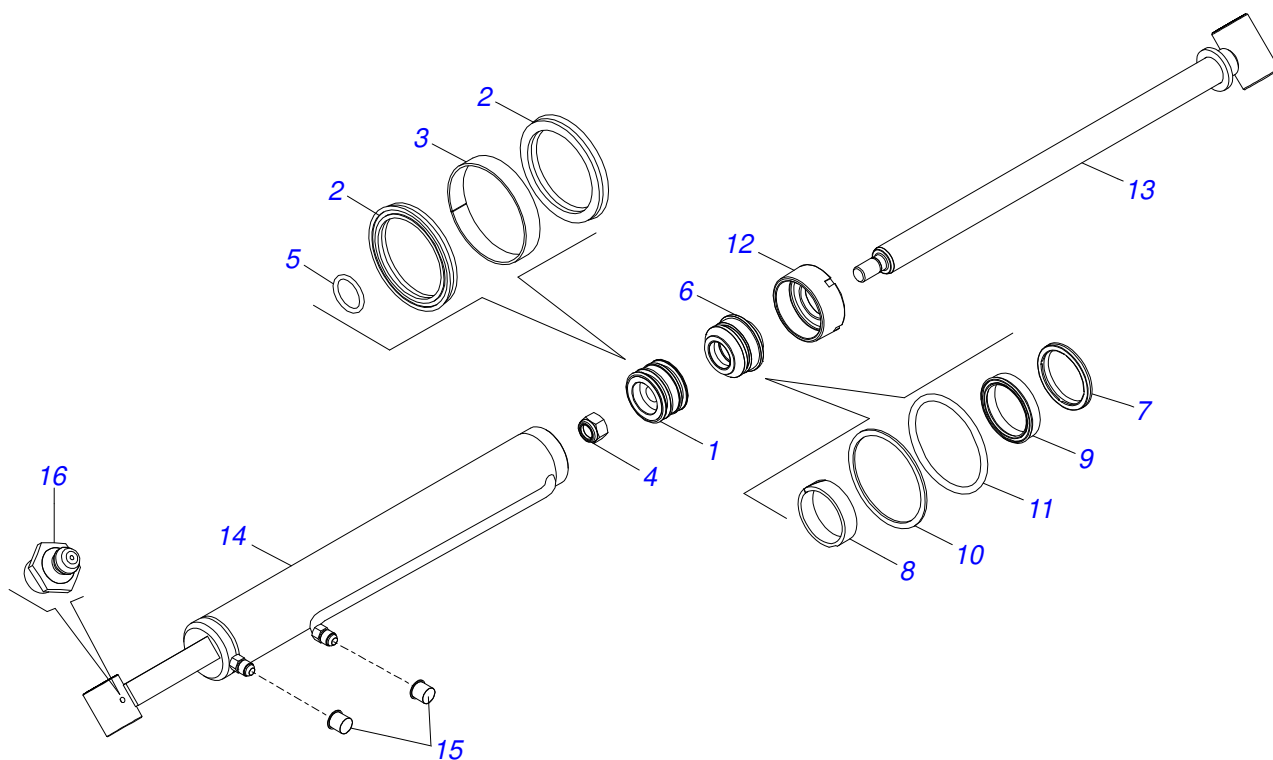


Item	Code	Description	See page	QT
01	0503018033	37 X R.7/8 UNF 90° JIC MALE CONNECTOR WITH ROTATING NUT		01
02	0581014053	1/2 BSP X 7/8 UNF JIC X 64 ADAPTER		01
03	0503016854	VALVE ASSY		01
04	0503010045	O'RING		01
05	0581014052	1/2 BSP X 7/8 UNF JIC X 43 NIPLE		01
06	0503030387	PLUG		01

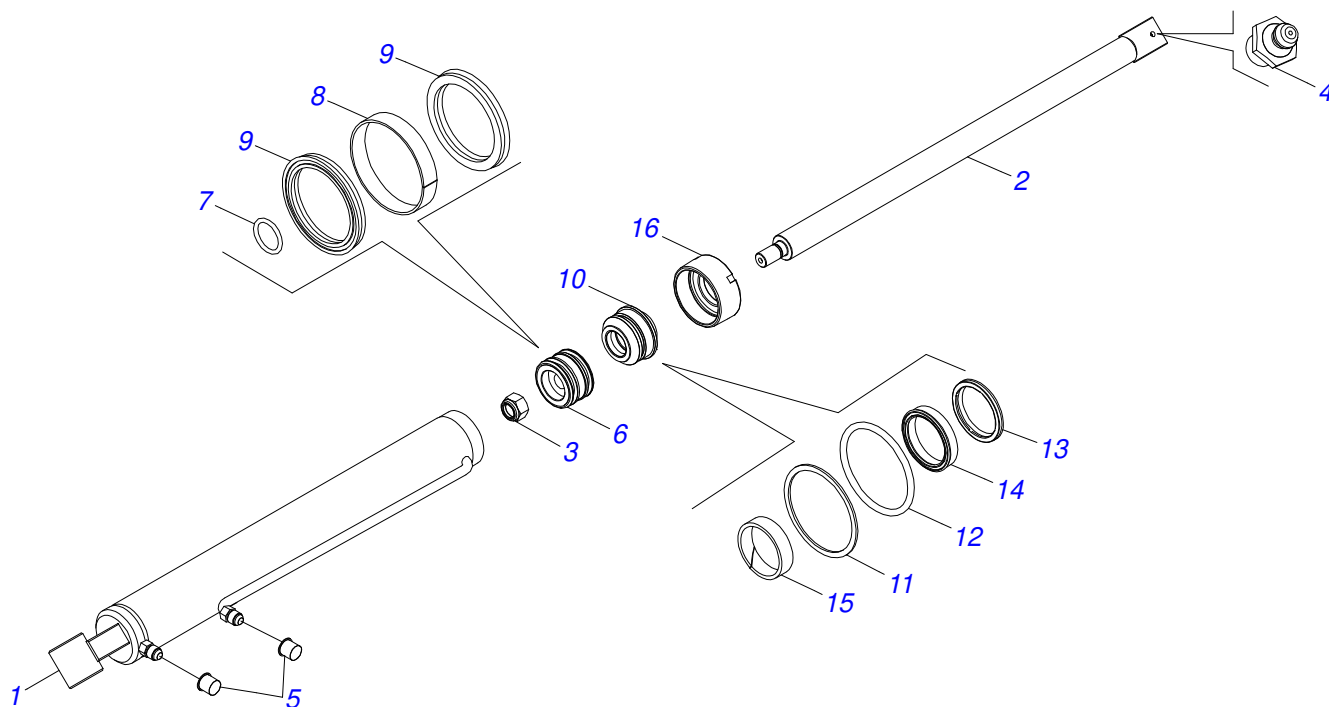
RIGHT HYDRAULIC CYLINDER



Item	Code	Description	See page	QT
01	0521068628	TURNBUCKLE		01
02	0521068525	CASE BODY		01
03	0503010063	1" SELF-ALIGNING NUT		01
04	0503030387	PLUG		02
05	0503010002	1800 GREASE FITTING		01
06	0502010993	DETACHABLE COVER		01
07	0502010843	1.8" X 3.4" PISTON		01
08	0503010948	W4-3346-590 PK RING G.E		01
09	0503010170	PACKING 3120 2750		02
10	0503010042	2-214 N 3006-9B O'RING		01
11	0502010781	RING SUPPORT		01
12	0503011060	8-336 BACK-UP RING		01
13	0503010976	2-336 N 3006-9B O'RING		01
14	0503010761	D-1750 SCRAPER RING		01
15	0503010990	GASKET		01
16	0503010949	W2-2000-500 PK RING G.E		01

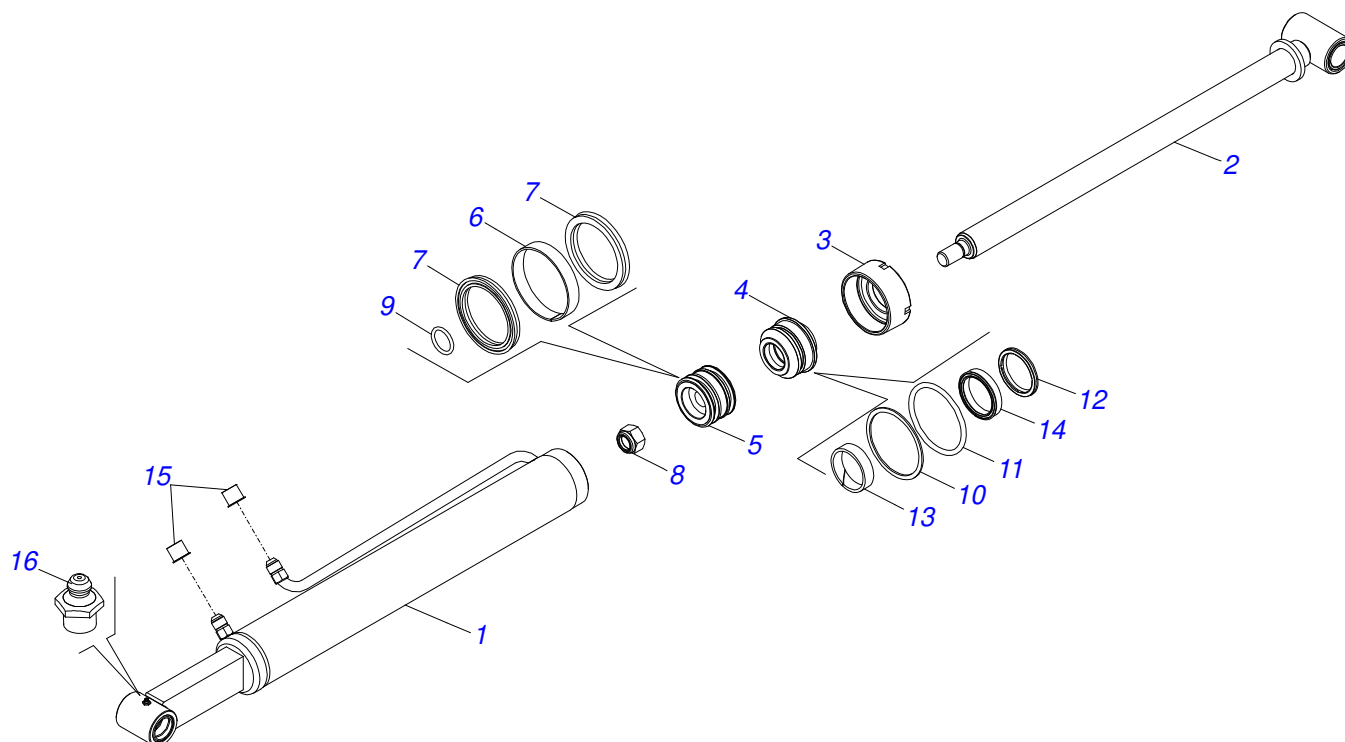


Item	Code	Description	See page	QT
01	0502010843	1.8" X 3.4" PISTON		01
02	0503010170	PACKING 3120 2750		02
03	0503010948	W4-3346-590 PK RING G.E		01
04	0503010063	1" SELF-ALIGNING NUT		01
05	0503010042	2-214 N 3006-9B O'RING		01
06	0502010781	RING SUPPORT		01
07	0503010761	D-1750 SCRAPER RING		01
08	0503010949	W2-2000-500 PK RING G.E		01
09	0503010990	GASKET		01
10	0503011060	8-336 BACK-UP RING		01
11	0503010976	2-336 N 3006-9B O'RING		01
12	0502010993	DETACHABLE COVER		01
13	0521068627	TURNBUCKLE		01
14	0521068638	RH CYLINDER CASE		01
15	0503030387	PLUG		02
16	0503010002	1800 GREASE FITTING		01
17	0501031796	HYDRAULIC CYLINDER REPAIR KIT		01

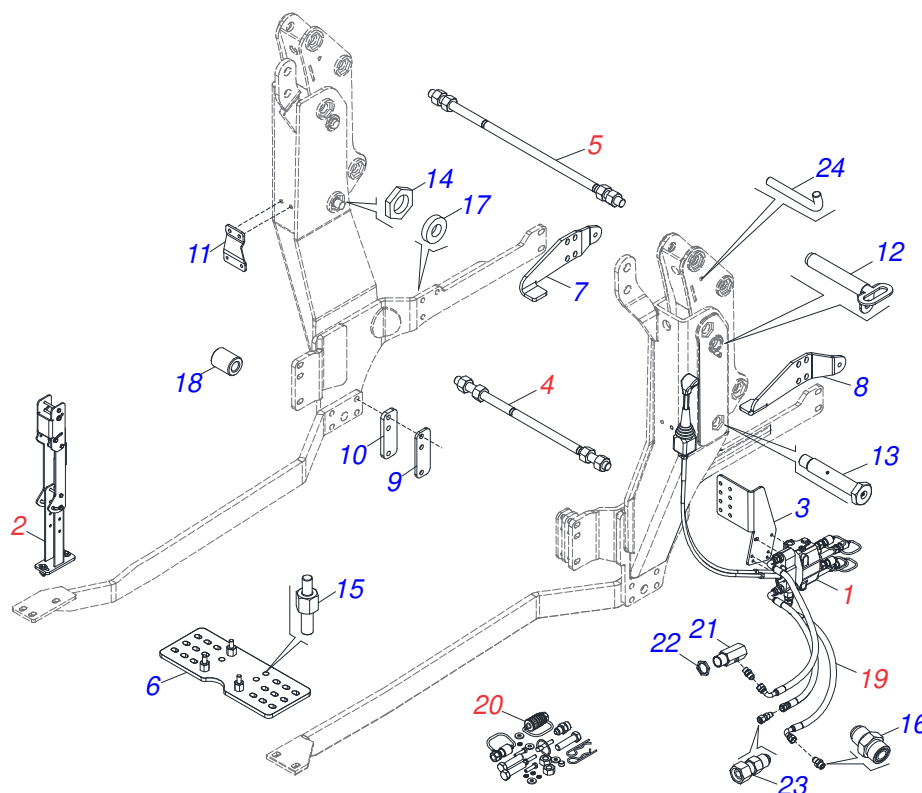


Item	Code	Description	See page	QT
01	0521068524	CASE BODY		01
02	0521068628	TURNBUCKLE		01
03	0503010063	1" SELF-ALIGNING NUT		01
04	0503010002	1800 GREASE FITTING		01
05	0503030387	PLUG		02
06	0502010843	1.8" X 3.4" PISTON		01
07	0503010042	2-214 N 3006-9B O'RING		01
08	0503010948	W4-3346-590 PK RING G.E		01
09	0503010170	PACKING 3120 2750		02
10	0502010781	RING SUPPORT		01
11	0503011060	8-336 BACK-UP RING		01
12	0503010976	2-336 N 3006-9B O'RING		01
13	0503010761	D-1750 SCRAPER RING		01
14	0503010990	GASKET		01
15	0503010949	W2-2000-500 PK RING G.E		01
16	0502010993	DETACHABLE COVER		01

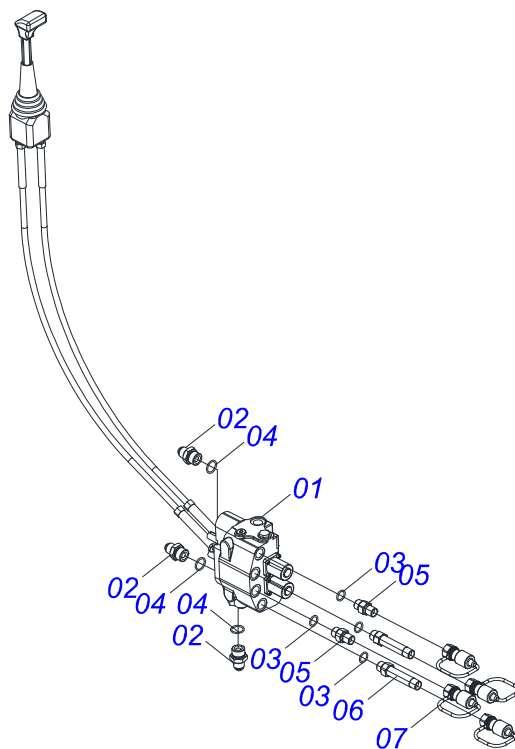
LEFT HYDRAULIC CYLINDER



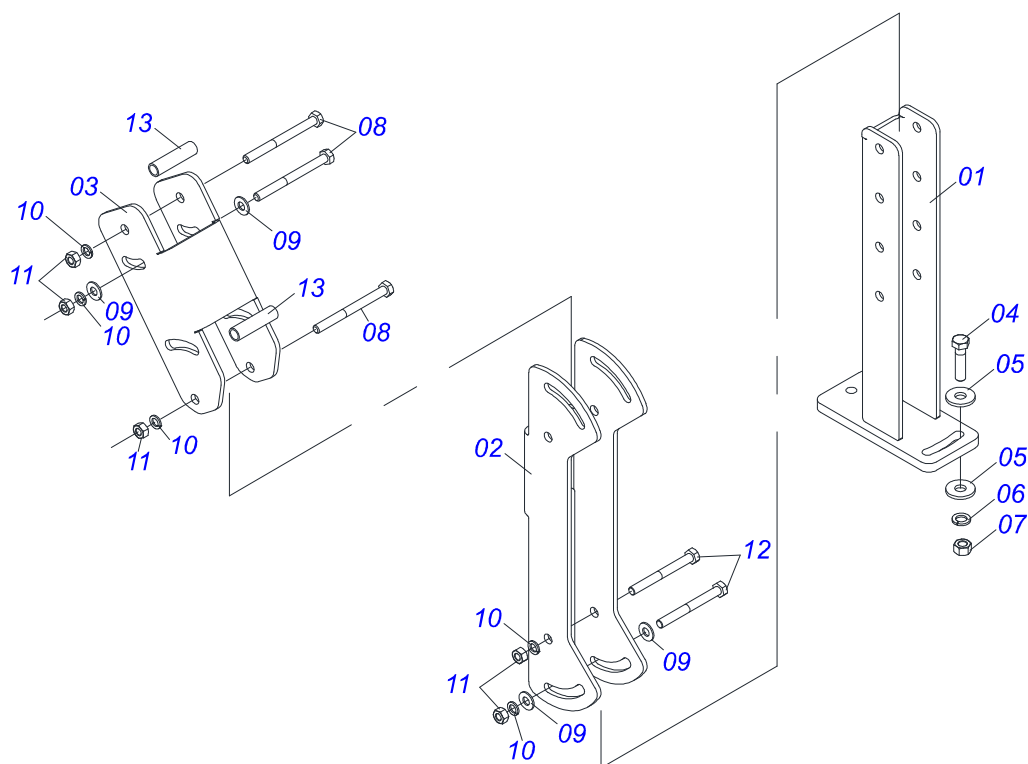
Item	Code	Description	See page	QT
01	0521068636	LH CYLINDER CASE		01
02	0521068627	TURNBUCKLE		01
03	0502010993	DETACHABLE COVER		01
04	0502010781	RING SUPPORT		01
05	0502010843	1.8" X 3.4" PISTON		01
06	0503010948	W4-3346-590 PK RING G.E		01
07	0503010170	PACKING 3120 2750		02
08	0503010063	1" SELF-ALIGNING NUT		01
09	0503010042	2-214 N 3006-9B O'RING		01
10	0503011060	8-336 BACK-UP RING		01
11	0503010976	2-336 N 3006-9B O'RING		01
12	0503010761	D-1750 SCRAPER RING		01
13	0503010949	W2-2000-500 PK RING G.E		01
14	0503010990	GASKET		01
15	0503030387	PLUG		02
16	0503010002	1800 GREASE FITTING		01
17	0501031796	HYDRAULIC CYLINDER REPAIR KIT		01



Item	Code	Description	See page	QT
01	0521047927	1/2" CONTROL	14	01
02	0521045393	SET SUPPORT JOY STICK	15	01
03	0581017015	FIXER BASE		01
04	0521047924	ROD	16	01
05	0511043351	1.1/4" X 40" ROD	17	01
06	0581016683	PLATE REAR		01
07	0581016770	LEFT BEATER		01
08	0581016769	RIGHT BEATER		01
09	0581016871	CHOCK		02
10	0581016631	REAR CHOCK		02
11	0581016630	FIXER SUPPORT		01
12	0521068068	FIXER AXLE		02
13	0581015006	BOLT		02
14	0581010243	WASHER HEX		02
15	0581016974	STUD		04
16	0561018342	1" NF NIPPLE		01
17	0591010147	FLAT WASHER		06
18	0581017017	SLEEVE		04
19	0521052701	HOSE ASSY	18	01
20	0511033112	PACKED PARTS	19	01
21	0581016628	ADAPTER BODY		01
22	0581016949	LOCKNUT		01
23	0521068623	7/8 ADAPTER		01
24	0581010285	CONTROL LOCKING HOOK		01

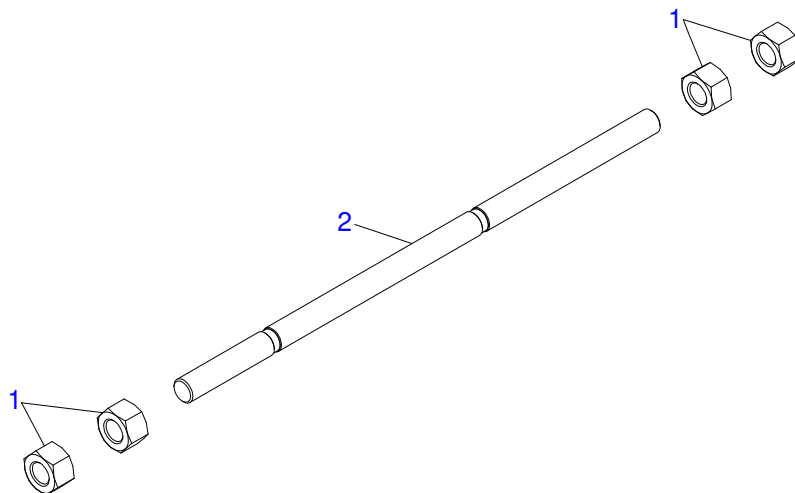


Item	Code	Description	See page	QT
01	0503062415	COMPLETE JOYSTICK CONTROL SDM122/2		01
02	0511018014	7/8"NF X 1.1/16 UN NIPPLE		03
03	0503010045	O'RING		04
04	0503011109	2-119 N 3006-9B O'RING		03
05	0581014145	ADAPTER ASSY		02
06	0581014120	STRAIGHT ADAPTER		02
07	0501053834	MALE QUICK COUPLER		04

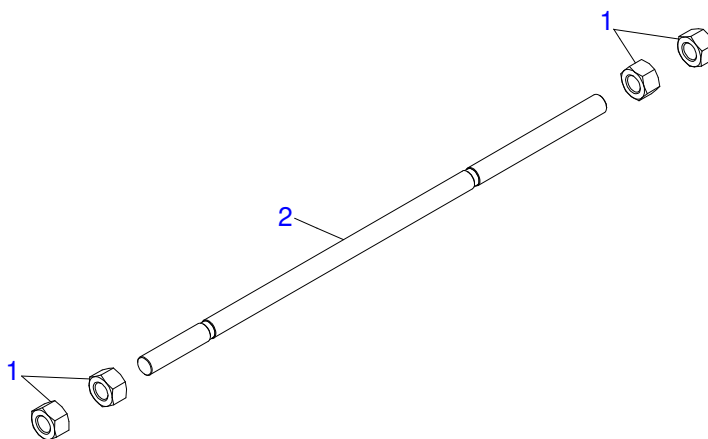


Item	Code	Description	See page	QT
01	0521065789	LOWER JOYSTICK SUPPORT		01
02	0571018376	CENTRAL BODY SUPPLEMENT OF JOYSTICK		01
03	0571018375	SUPERIOR BODY SUPPLEMENT OF JOYSTICK		01
04	0503010849	3/8" X 1-1/2" BOLT		02
05	0501010984	FLAT WASHER 10,50 X 27 X 3,00 ZN		02
06	0503010025	3/8" SPRING WASHER		02
07	0503010026	3/8" NUT		02
08	0503010848	5/16" X 3.1/2" BOLT		04
09	0501010694	FLAT WASHER		06
10	0503010179	LOCK WASHER		06
11	0503010337	5/16" NUT		06
12	0503011053	5/16" X 3" C S 6.5 ZN BOLT		02
13	0541015551	0.39" X 0.512" X 1.9" SLEEVE		02

ROD

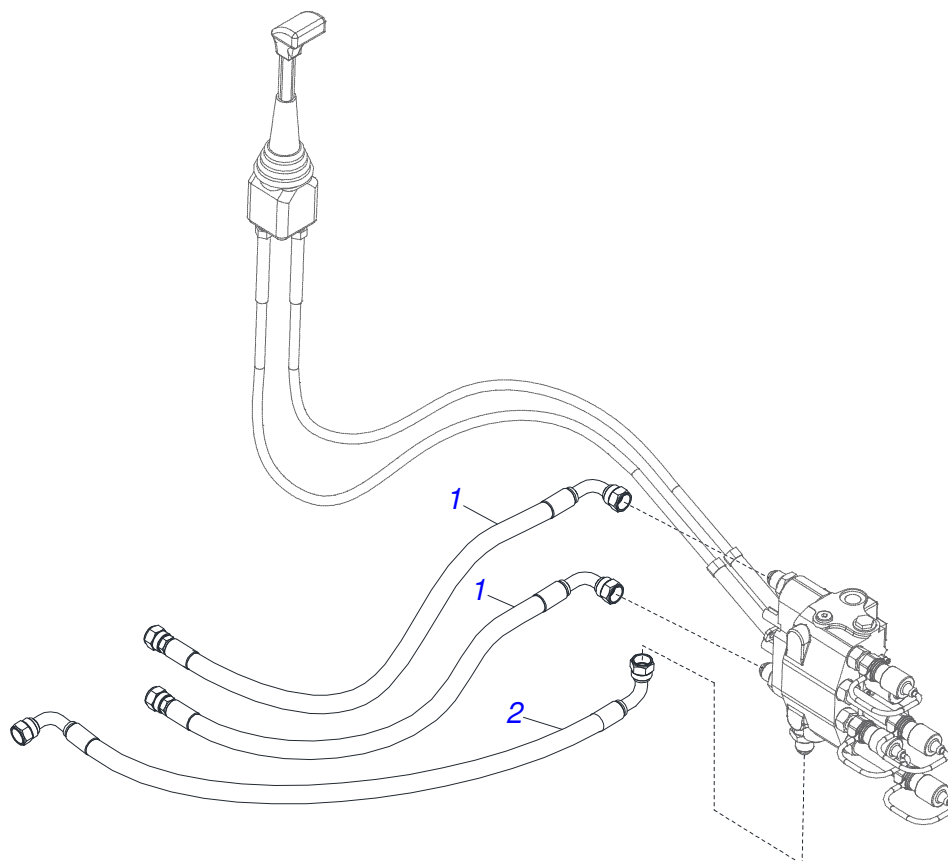


Item	Code	Description	See page	QT
01	0501010087	1.1/4" NUT		04
02	0581016870	ROD		01



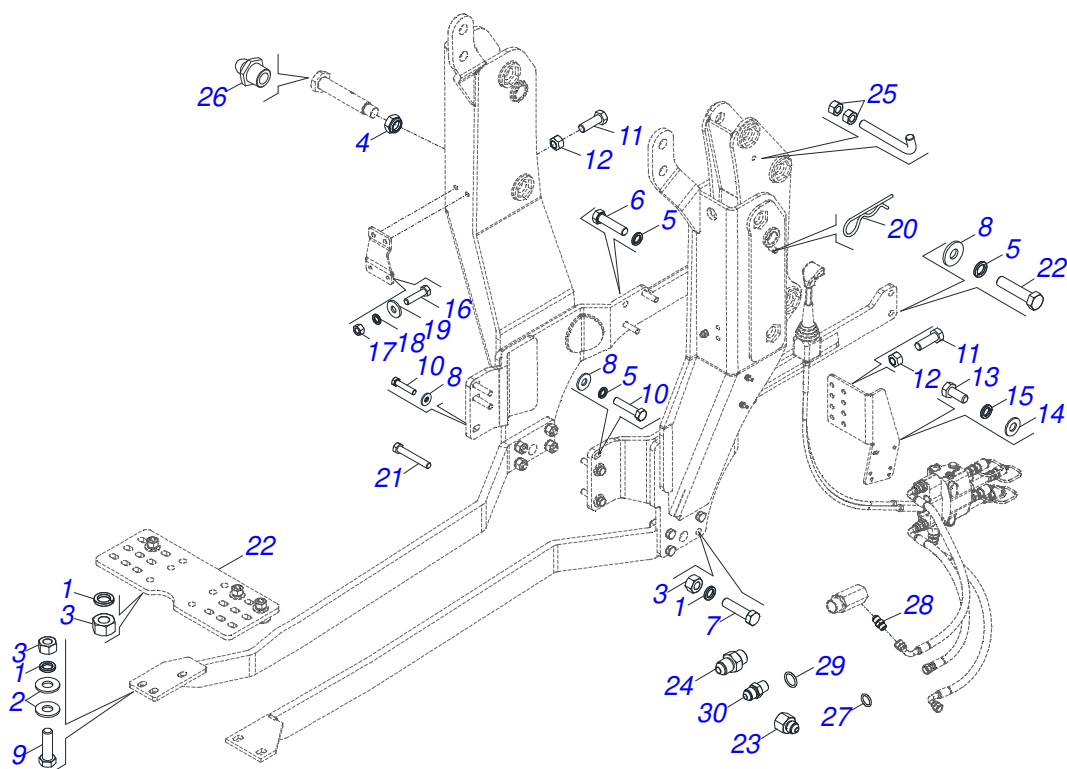
Item	Code	Description	See page	QT
01	0501010087	1.1/4" NUT		04
02	0541015018	ROD 1.1/4 NC X 1000		01

HOSE ASSY



Item	Code	Description	See page	QT
01	0501080495	1/2 X 2500 TR-TC HOSE		02
02	0501080786	1/2" X 98.42" HOSE ASSY		01

PACKED PARTS



Item	Code	Description	See page	QT
01	0503010023	3/4" SPRING WASHER		16
02	0501010322	FLAT WASHER		08
03	0503010014	3/4" NUT		16
04	0503010044	1-1/4" SELF LOCKING NUT		02
05	0503010027	5/8" SPRING WASHER		16
06	0503012573	M16 X 2 X 65 BOLT		06
07	0501010500	3/4"X3"BOLT		08
08	0501012140	FLAT WASHER		10
09	0503013390	3/4" UNC BOLT		04
10	0503012693	M16 X 2 X 75 BOLT		06
11	0501010063	1/2" X 1-1/2" BOLT		04
12	0503011336	1/2" HEX SELF ADJUSTING NUT		04
13	0503016506	5/16 UNC X 3/4 C S G.5 ZN BOLT		04
14	0501010694	FLAT WASHER		04
15	0503010179	LOCK WASHER		04
16	0503010849	3/8" X 1-1/2" BOLT		02
17	0503010026	3/8" NUT		02
18	0503010025	3/8" SPRING WASHER		02
19	0501010984	FLAT WASHER 10,50 X 27 X 3,00 ZN		02
20	0503030012	HITCH PIN CLIP		02
21	0503011084	3/4" X 5" BOLT		04
22	0503019419	BOLT		04
23	0571019584	7/8 UNF NIPLE		01
24	0581016941	NIPPLE		01
25	0503010060	1/2" NUT		02
26	0503010002	1800 GREASE FITTING		01
27	0503010190	2-114 N 3006-9B O'RING		03
28	0551012400	7/8" UNF NIPPLE		01
29	0503011030	2-014 N 3006-9B O'RING		01
30	0511014065	7/8" NF X R1/2NPT X 52 NIPPLE		04



MARCHESAN

Technical Publications | Elaboration and Revision

MARINA PEREZ NIZA

www.marchesan.com.br

