

**HINGE TYPE OFFSET DISK HARROW**

**GN 48/52/56/60/64/68/72/76/80/84D - PA**

**Code:** 0501092625

**Series:** S-0618

**Revision:** 00

**Date Revision:** MAIO/2021

# **PARTS CATALOGUE**



**MARCHESAN**



# PRODUCTS

Code	Description
0102110481	GN 48 X 20 X 3,50 DM MT PA S-0618
0102110482	GN 48 X 20 X 4,50 DM MT PA S-0618
0102110483	GN 48 X 22 X 3,50 DM MT PA S-0618
0102110563	GN 48 X 22 X 4,50 DM MT PA S-0618
0102110564	GN 48 X 24 X 4,50 DM MT PA S-0618
0102110476	GN 52 X 20 X 3,50 DM MT PA S-0618
0102110477	GN 52 X 20 X 4,50 DM MT PA S-0618
0102110478	GN 52 X 22 X 3,50 DM MT PA S-0618
0102110479	GN 52 X 22 X 4,50 DM MT PA S-0618
0102110480	GN 52 X 24 X 4,50 DM MT PA S-0618
0102110471	GN 56 X 20 X 3,50 DM MT PA S-0618
0102110472	GN 56 X 20 X 4,50 DM MT PA S-0618
0102110473	GN 56 X 22 X 3,50 DM MT PA S-0618
0102110474	GN 56 X 22 X 4,50 DM MT PA S-0618
0102110475	GN 56 X 24 X 4,50 DM MT PA S-0618
0102110466	GN 60 X 20 X 3,50 DM MT PA S-0618
0102110467	GN 60 X 20 X 4,50 DM MT PA S-0618
0102110468	GN 60 X 22 X 3,50 DM MT PA S-0618
0102110469	GN 60 X 22 X 4,50 DM MT PA S-0618
0102110470	GN 60 X 24 X 4,50 DM MT PA S-0618
0102110382	GN 64 X 20 X 3,50 DM MT PA S-0618
0102110385	GN 64 X 20 X 4,50 DM MT PA S-0618
0102110386	GN 64 X 22 X 3,50 DM MT PA S-0618
0102110387	GN 64 X 22 X 4,50 DM MT PA S-0618
0102110388	GN 64 X 24 X 4,50 DM MT PA S-0618
0102110373	GN 68 X 20 X 3,50 DM MT PA S-0618
0102110374	GN 68 X 20 X 4,50 DM MT PA S-0618
0102110375	GN 68 X 22 X 3,50 DM MT PA S-0618
0102110379	GN 68 X 22 X 4,50 DM MT PA S-0618
0102110381	GN 68 X 24 X 4,50 DM MT PA S-0618

## ATTENTION: IMPORTANT

Marchesan S.A. reserves the right to improve and / or modify the technical features of its products, without obligation to do the same with those products already sold and without prior knowledge of the dealer or the consumer.



# PRODUCTS

0102110367	GN 72 X 20 X 3,50 DM MT PA S-0618
0102110368	GN 72 X 20 X 4,50 DM MT PA S-0618
0102110369	GN 72 X 22 X 3,50 DM MT PA S-0618
0102110370	GN 72 X 22 X 4,50 DM MT PA S-0618
0102110371	GN 72 X 24 X 4,50 DM MT PA S-0618
0102110360	GN 76 X 20 X 3,50 DM MT PA S-0618
0102110362	GN 76 X 20X 4,50 DM MT PA S-0618
0102110363	GN 76 X 22 X 3,50 DM MT PA S-0618
0102110365	GN 76 X 22 X 4,50 DM MT PA S-0618
0102110366	GN 76 X 24 X 4,50 DM MT PA S-0618
0102110355	GN 80 X 20 X 3,50 DM MT PA S-0618
0102110356	GN 80 X 20 X 4,50 DM MT PA S-0618
0102110357	GN 80 X 22 X 3,50 DM MT PA S-0618
0102110358	GN 80 X 22 X 4,50 DM MT PA S-0618
0102110359	GN 80 X 24 X 4,50 DM MT PA S-0618
0102110349	GN 84 X 20 X 3,50 DM MT PA S-0618
0102110350	GN 84 X 20 X 4,50 DM MT PA S-0618
0102110351	GN 84 X 22 X 3,50 DM MT PA S-0618
0102110352	GN 84 X 22 X 4,50 DM MT PA S-0618
0102110353	GN 84 X 24 X 4,50 DM MT PA S-0618

## ATTENTION: IMPORTANT

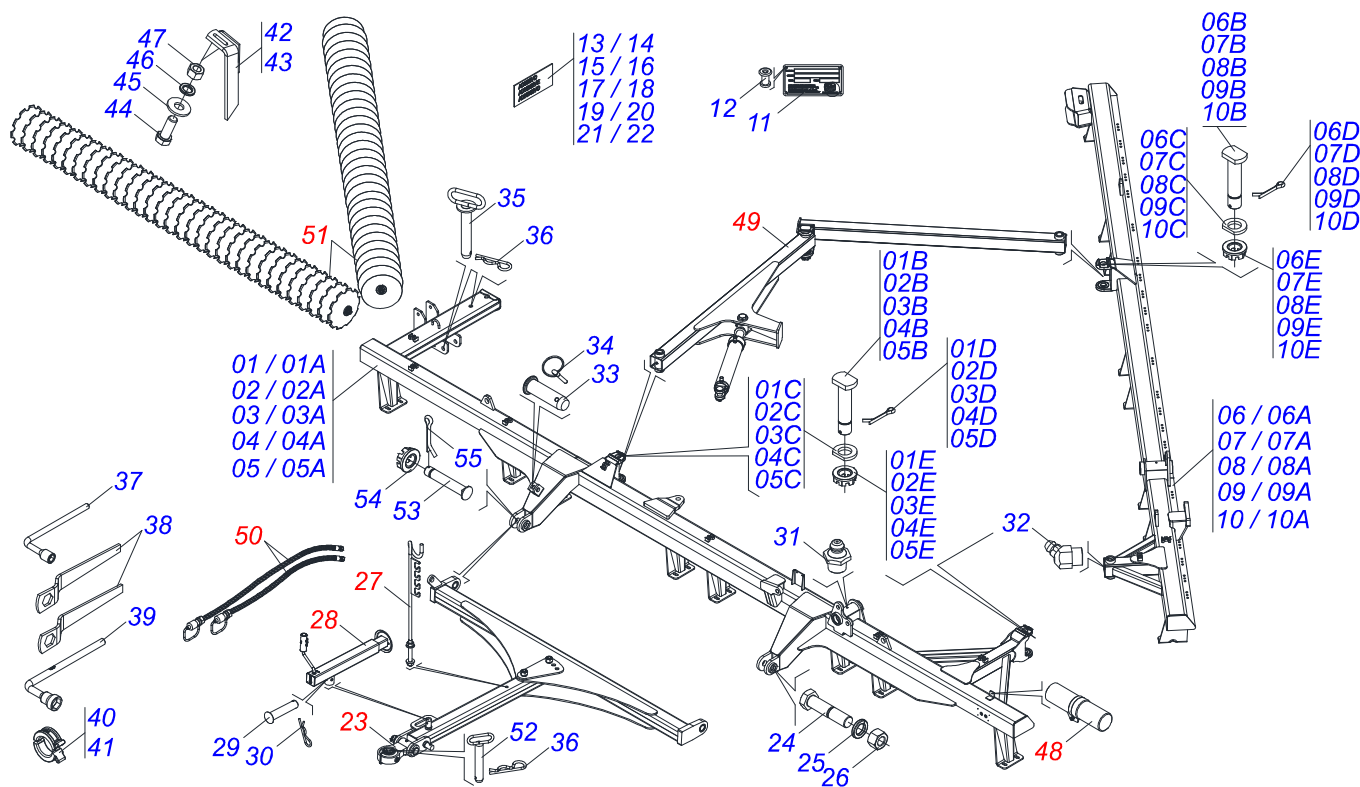
Marchesan S.A. reserves the right to improve and / or modify the technical features of its products, without obligation to do the same with those products already sold and without prior knowledge of the dealer or the consumer.



**MARCHESAN**

# INDEX

0909098642	FRAME ASSY - 48/52/56/60/64D	.....	1
0909098643	FRAME ASSY - 68/72/76/80/84D	.....	2
0521049348	ASSY HEADER - 36 TO 48D	.....	3
0521042319	ASSY HEADER	.....	4
0521048502	ASSY TRACTION BAR	.....	5
0501040257	3/4 X 1200 HOSE HOLDER A	.....	6
0503062157	HEADER JACK	.....	7
0521054742	MANUAL CANISTER ASSY	.....	8
0909098628	OPENING ASSY - 48/52/56/60/64D	.....	9
0909098636	OPENING ASSY - 68/72/76/80/84D	.....	10
0511058461	HYDRAULIC CYLINDER	.....	11
0909098629	HYDRAULIC CIRCUIT - 48/52/56/60/64/68/72/76/80/84D	.....	12
0909098630	48D - DISC SECTION	.....	13
0909098631	52D - DISC SECTION	.....	14
0909098632	56D - DISC SECTION	.....	15
0909098633	60D - DISC SECTION	.....	16
0909098634	64D - DISC SECTION	.....	17
0909098637	DISC SECTION - 68D	.....	18
0909098638	72D - DISC SECTION	.....	19
0909098639	76D - DISC SECTION	.....	20
0909098640	80D - DISC SECTION	.....	21
0909098641	84D - DISC SECTION	.....	22
0501047055	BEARING	.....	23



Item	Code	Description	See page	048	052	056	060	064
01	0521055846	FRONT FRAME SEMI MOUNTED GN/GNM/GNH 48D		001	000	000	000	000
01A	0521069252	FRONT FRAME GN/GNM/GNH 48D		001	000	000	000	000
01B	0531019497	1.5" X 9.2" ARTICULATED AXIS		002	000	000	000	000
01C	0531019540	FLAT WASHER		002	000	000	000	000
01D	0503010010	1/4" X 2.1/2" COTTERPIN		002	000	000	000	000
01E	0501011301	1.1/2 UNC 6FPP 2.5/16 NUT		002	000	000	000	000
02	0521055808	FRONT FRAME SEMI MOUNTED GN/GNM/GNH 52D		000	001	000	000	000
02A	0521069251	FRONT FRAME GN/GNM/GNH 52D		000	001	000	000	000
02B	0531019497	1.5" X 9.2" ARTICULATED AXIS		000	002	000	000	000
02C	0531019540	FLAT WASHER		000	002	000	000	000
02D	0503010010	1/4" X 2.1/2" COTTERPIN		000	002	000	000	000
02E	0501011301	1.1/2 UNC 6FPP 2.5/16 NUT		000	002	000	000	000
03	0521054105	FRONT FRAME SEMI MOUNTED GN/GNM/GNH 56D		000	000	001	000	000
03A	0521069245	FRONT FRAME GN/GNM/GNH 56D		000	000	001	000	000
03B	0531019497	1.5" X 9.2" ARTICULATED AXIS		000	000	002	000	000
03C	0531019540	FLAT WASHER		000	000	002	000	000
03D	0503010010	1/4" X 2.1/2" COTTERPIN		000	000	002	000	000
03E	0501011301	1.1/2 UNC 6FPP 2.5/16 NUT		000	000	002	000	000
04	0521054103	FRONT FRAME SEMI MOUNTED GN/GNM/GNH 60D		000	000	000	001	000
04A	0521069240	FRONT FRAME GN/GNM/GNH 60D		000	000	000	001	000
04B	0531019497	1.5" X 9.2" ARTICULATED AXIS		000	000	000	002	000
04C	0531019540	FLAT WASHER		000	000	000	002	000
04D	0503010010	1/4" X 2.1/2" COTTERPIN		000	000	000	002	000
04E	0501011301	1.1/2 UNC 6FPP 2.5/16 NUT		000	000	000	002	000
05	0521055752	FRONT FRAME SEMI MOUNTED GN/GNM/GNH 64D		000	000	000	000	001
05A	0521069256	FRONT FRAME GN/GNM/GNH 64D		000	000	000	000	001
05B	0531019497	1.5" X 9.2" ARTICULATED AXIS		000	000	000	000	002
05C	0531019540	FLAT WASHER		000	000	000	000	002
05D	0503010010	1/4" X 2.1/2" COTTERPIN		000	000	000	000	002
05E	0501011301	1.1/2 UNC 6FPP 2.5/16 NUT		000	000	000	000	002
06	0521054234	REAR FRAME SEMI MOUNTED GN/GNM/GNH 48D		001	000	000	000	000



## FRAME ASSY - 48/52/56/60/64D

0909098642

Item	Code	Description	See page	048	052	056	060	064
06A	0521069307	REAR FRAME GN/GNM/GNH 48D		001	000	000	000	000
06B	0531019497	1.5" X 9.2" ARTICULATED AXIS		001	000	000	000	000
06C	0531019540	FLAT WASHER		001	000	000	000	000
06D	0503010010	1/4" X 2.1/2" COTTERPIN		001	000	000	000	000
06E	0501011301	1.1/2 UNC 6FPP 2.5/16 NUT		001	000	000	000	000
07	0521055805	REAR FRAME SEMI MOUNTED GN/GNM/GNH 52D		000	001	000	000	000
07A	0521069250	REAR FRAME GN/GNM/GNH 52D		000	001	000	000	000
07B	0531019497	1.5" X 9.2" ARTICULATED AXIS		000	001	000	000	000
07C	0531019540	FLAT WASHER		000	001	000	000	000
07D	0503010010	1/4" X 2.1/2" COTTERPIN		000	001	000	000	000
07E	0501011301	1.1/2 UNC 6FPP 2.5/16 NUT		000	001	000	000	000
08	0521054110	REAR FRAME SEMI MOUNTED GN/GNM/GNH 56D		000	000	001	000	000
08A	0521069244	REAR FRAME GN/GNM/GNH 56D		000	000	001	000	000
08B	0531019497	1.5" X 9.2" ARTICULATED AXIS		000	000	001	000	000
08C	0531019540	FLAT WASHER		000	000	001	000	000
08D	0503010010	1/4" X 2.1/2" COTTERPIN		000	000	001	000	000
08E	0501011301	1.1/2 UNC 6FPP 2.5/16 NUT		000	000	001	000	000
09	0521054102	REAR FRAME SEMI MOUNTED GN/GNM/GNH 60D		000	000	000	001	000
09A	0521069241	REAR FRAME GN/GNM/GNH 60D		000	000	000	001	000
09B	0531019497	1.5" X 9.2" ARTICULATED AXIS		000	000	000	001	000
09C	0531019540	FLAT WASHER		000	000	000	001	000
09D	0503010010	1/4" X 2.1/2" COTTERPIN		000	000	000	001	000
09E	0501011301	1.1/2 UNC 6FPP 2.5/16 NUT		000	000	000	001	000
10	0521055753	REAR FRAME SEMI MOUNTED GN/GNM/GNH 64D		000	000	000	000	001
10A	0521069255	REAR FRAME GN/GNM/GNH 64D		000	000	000	000	001
10B	0531019497	1.5" X 9.2" ARTICULATED AXIS		000	000	000	000	001
10C	0531019540	FLAT WASHER		000	000	000	000	001
10D	0503010010	1/4" X 2.1/2" COTTERPIN		000	000	000	000	001
10E	0501011301	1.1/2 UNC 6FPP 2.5/16 NUT		000	000	000	000	001
11	0503034003	SERIAL NUMBER TAG 61 X 118		001	001	001	001	000
12	0503010001	3.2 X 5.5 RIVET		004	004	004	004	000
13	0503031739	ADHESIVE LABEL		001	001	001	001	001
14	0503034438	ADHESIVE LABEL		001	001	001	001	001
15	0503033038	DANGER SIGN		001	001	001	001	001
16	0503034078	LIFTING POINTS DECAL		004	004	004	004	004
17	0503034499	HOSE IDENTIFICATION DECAL		001	001	001	001	001
18	0503031827	LUBRICATE AND RETIGHTEN DAILY DECAL		001	001	001	001	001
19	0503031087	ADHESIVE LABEL		001	001	001	001	001
20	0503031428	READ MANUAL DECAL		001	001	001	001	001
21	0503034021	LABEL ADHESIVE GN		002	002	002	002	002
22	0503034022	ADHESIVE LABEL LOGO TATU 60X80		002	002	002	002	002
23	0521049348	ASSY HEADER - 36 TO 48D	3	001	000	000	000	000
23.	0521042319	ASSY HEADER	4	000	001	001	001	001
24	0501010426	1-1/4" X 6" SCREW		002	002	002	002	000
25	0503010070	SPRING WASHER		002	002	002	002	000
26	0501010087	1.1/4" NUT		002	002	002	002	000
27	0501040257	3/4 X 1200 HOSE HOLDER A	6	001	001	001	001	001
28	0503062157	HEADER JACK	7	001	001	001	001	001
29	0521010549	COUPLING SHAFT		001	001	001	001	001
30	0503030168	HAIR PIN		001	001	001	001	001
31	0503010002	1800 GREASE FITTING		001	001	001	001	001
32	0503010003	1845 GREASE FITTING		002	002	002	002	002
33	0501019002	JUNCTION SHAFT		001	001	001	001	001
34	0503030085	LOCK PIN		001	001	001	001	001
35	0521067644	JUNCTION SHAFT		002	002	002	002	002
36	0503031035	HAIR PIN		003	003	003	003	003
37	0501068273	5/8" WRENCH		001	001	001	001	001
38	0501011432	1-1/2" AND 1-5/8 GANG BOLT WRENCH		002	002	002	002	002
39	0501061617	1" GANG BOLT WRENCH		001	001	001	001	001

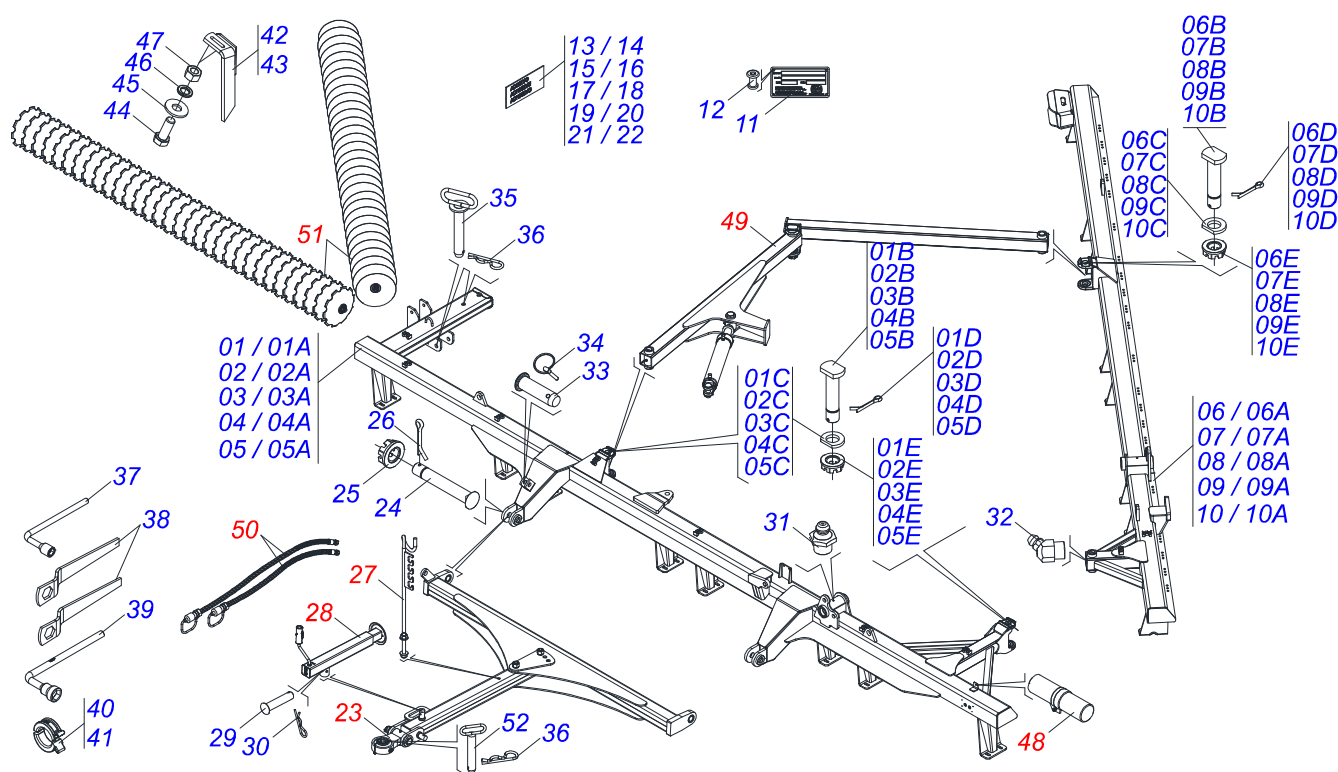


FRAME ASSY - 48/52/56/60/64D

0909098642

Item	Code	Description	See page	048	052	056	060	064
40	0501047895	ROD STOP		006	006	006	006	006
41	0501047885	ROD STOP		004	004	004	004	004
42	0501063963	FRONT SCRAPER		017	019	021	023	000
43	0501063962	REAR SCRAPER		017	019	021	023	000
44	0503011082	C1/2" X 1.3/4" SCREW		068	076	084	092	092
45	0511017302	FLAT WASHER		068	076	084	092	092
46	0503010019	1/2" SPRING WASHER		068	076	084	092	092
47	0503010060	1/2" NUT		068	076	084	092	092
48	0521054742	MANUAL CANISTER ASSY	8	001	001	001	001	001
49	0909098628	OPENING ASSY - 48/52/56/60/64D	9	001	001	001	001	001
50	0909098629	HYDRAULIC CIRCUIT 48/52/56/60/64/68/72/76/80/84D	- 12	001	001	001	001	001
51	0909098630	48D - DISC SECTION	13	001	000	000	000	000
51.	0909098631	52D - DISC SECTION	14	000	001	000	000	000
51..	0909098632	56D - DISC SECTION	15	000	000	001	000	000
51...	0909098633	60D - DISC SECTION	16	000	000	000	001	000
51....	0909098634	64D - DISC SECTION	17	000	000	000	000	001
52	0501069080	COUPLING SHAFT		001	001	001	001	001
53	0551013708	COUPLING SHAFT		000	000	000	000	002
54	0501011301	1.1/2 UNC 6FPP 2.5/16 NUT		000	000	000	000	002
55	0503010010	1/4" X 2.1/2" COTTERPIN		000	000	000	000	002

FRAME ASSY - 68/72/76/80/84D



Item	Code	Description	See page	068	072	076	080	084
01	0521054142	FRONT FRAME SEMI MOUNTED GN/GNM/GNH 68D		001	000	000	000	000
01A	0521069833	FRONT FRAME GN/GNM/GNH 68D		001	000	000	000	000
01B	0531019497	1.5" X 9.2" ARTICULATED AXIS		002	000	000	000	000
01C	0531019540	FLAT WASHER		002	000	000	000	000
01D	0503010010	1/4" X 2.1/2" COTTERPIN		002	000	000	000	000
01E	0501011301	1.1/2 UNC 6FPP 2.5/16 NUT		002	000	000	000	000
02	0521054151	FRONT FRAME SEMI MOUNTED GN/GNM/GNH 72D		000	001	000	000	000
02A	0521069286	FRONT FRAME GN/GNM/GNH 72D		000	001	000	000	000
02B	0531019497	1.5" X 9.2" ARTICULATED AXIS		000	002	000	000	000
02C	0531019540	FLAT WASHER		000	002	000	000	000
02D	0503010010	1/4" X 2.1/2" COTTERPIN		000	002	000	000	000
02E	0501011301	1.1/2 UNC 6FPP 2.5/16 NUT		000	002	000	000	000
03	0521053495	FRONT FRAME SEMI MOUNTED GN/GNM/GNH 76D		000	000	001	000	000
03A	0521068990	FRONT FRAME GN/GNM/GNH 76D		000	000	001	000	000
03B	0531019497	1.5" X 9.2" ARTICULATED AXIS		000	000	002	000	000
03C	0531019540	FLAT WASHER		000	000	002	000	000
03D	0503010010	1/4" X 2.1/2" COTTERPIN		000	000	002	000	000
03E	0501011301	1.1/2 UNC 6FPP 2.5/16 NUT		000	000	002	000	000
04	0521054049	FRONT FRAME SEMI MOUNTED GN/GNM/GNH 80D		000	000	000	001	000
04A	0521069230	FRONT FRAME GN/GNM/GNH 80D		000	000	000	001	000
04B	0531019497	1.5" X 9.2" ARTICULATED AXIS		000	000	000	002	000
04C	0531019540	FLAT WASHER		000	000	000	002	000
04D	0503010010	1/4" X 2.1/2" COTTERPIN		000	000	000	002	000
04E	0501011301	1.1/2 UNC 6FPP 2.5/16 NUT		000	000	000	002	000
05	0521054041	FRONT FRAME SEMI MOUNTED GN/GNM/GNH 84D		000	000	000	000	001
05A	0521069222	FRONT FRAME GN/GNM/GNH 84D		000	000	000	000	001
05B	0531019497	1.5" X 9.2" ARTICULATED AXIS		000	000	000	000	002
05C	0531019540	FLAT WASHER		000	000	000	000	002
05D	0503010010	1/4" X 2.1/2" COTTERPIN		000	000	000	000	002
05E	0501011301	1.1/2 UNC 6FPP 2.5/16 NUT		000	000	000	000	002
06	0521055711	REAR FRAME SEMI MOUNTED GN/GNM/GNH 68D		001	000	000	000	000





## FRAME ASSY - 68/72/76/80/84D

0909098643

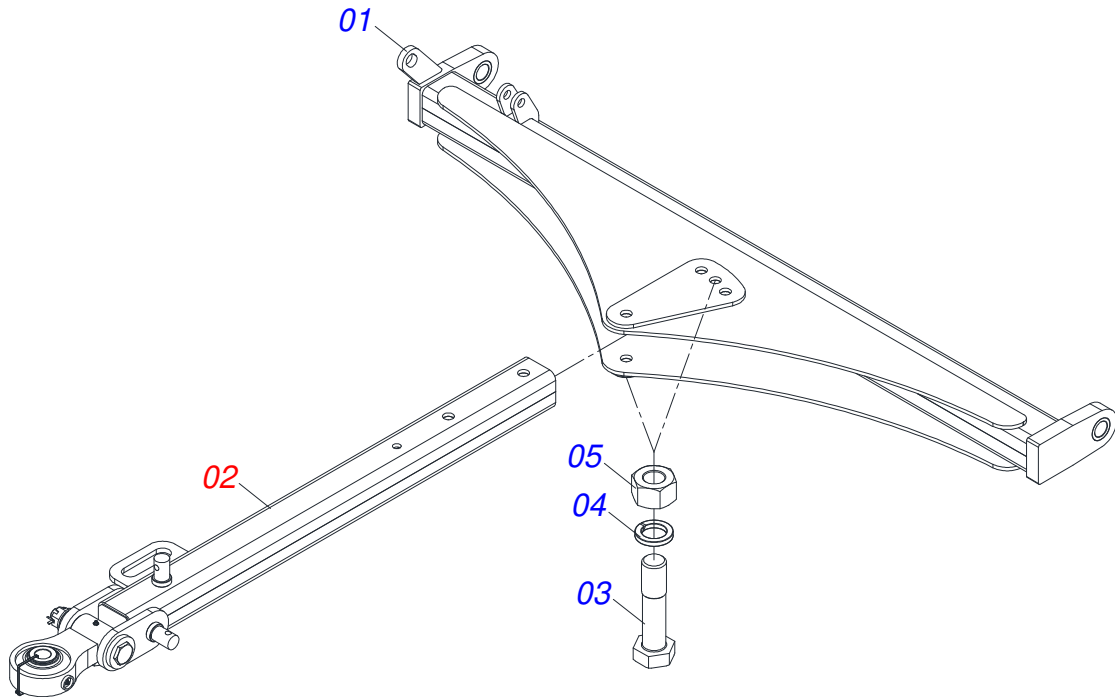
Item	Code	Description	See page	068	072	076	080	084
06A	0521069834	REAR FRAME GN/GNM/GNH 68D		001	000	000	000	000
06B	0531019497	1.5" X 9.2" ARTICULATED AXIS		001	000	000	000	000
06C	0531019540	FLAT WASHER		001	000	000	000	000
06D	0503010010	1/4" X 2.1/2" COTTERPIN		001	000	000	000	000
06E	0501011301	1.1/2 UNC 6FPP 2.5/16 NUT		001	000	000	000	000
07	0521054148	REAR FRAME SEMI MOUNTED GN/GNM/GNH 72D		000	001	000	000	000
07A	0521069287	REAR FRAME GN/GNM/GNH 72D		000	001	000	000	000
07B	0531019497	1.5" X 9.2" ARTICULATED AXIS		000	001	000	000	000
07C	0531019540	FLAT WASHER		000	001	000	000	000
07D	0503010010	1/4" X 2.1/2" COTTERPIN		000	001	000	000	000
07E	0501011301	1.1/2 UNC 6FPP 2.5/16 NUT		000	001	000	000	000
08	0521053513	FRONT FRAME SEMI MOUNTED GN/GNM/GNH 76D		000	000	001	000	000
08A	0521068992	REAR FRAME GN/GNM/GNH 76D		000	000	001	000	000
08B	0531019497	1.5" X 9.2" ARTICULATED AXIS		000	000	001	000	000
08C	0531019540	FLAT WASHER		000	000	001	000	000
08D	0503010010	1/4" X 2.1/2" COTTERPIN		000	000	001	000	000
08E	0501011301	1.1/2 UNC 6FPP 2.5/16 NUT		000	000	001	000	000
09	0521054050	REAR FRAME SEMI MOUNTED GN/GNM/GNH 80D		000	000	000	001	000
09A	0521069231	REAR FRAME GN/GNM/GNH 80D		000	000	000	001	000
09B	0531019497	1.5" X 9.2" ARTICULATED AXIS		000	000	000	001	000
09C	0531019540	FLAT WASHER		000	000	000	001	000
09D	0503010010	1/4" X 2.1/2" COTTERPIN		000	000	000	001	000
09E	0501011301	1.1/2 UNC 6FPP 2.5/16 NUT		000	000	000	001	000
10	0521054058	REAR FRAME SEMI MOUNTED GN/GNM/GNH 84D		000	000	000	000	001
10A	0521069223	REAR FRAME GN/GNM/GNH 84D		000	000	000	000	001
10B	0531019497	1.5" X 9.2" ARTICULATED AXIS		000	000	000	000	001
10C	0531019540	FLAT WASHER		000	000	000	000	001
10D	0503010010	1/4" X 2.1/2" COTTERPIN		000	000	000	000	001
10E	0501011301	1.1/2 UNC 6FPP 2.5/16 NUT		000	000	000	000	001
11	0503034003	SERIAL NUMBER TAG 61 X 118		001	001	001	001	001
12	0503010001	3.2 X 5.5 RIVET		004	004	004	004	004
13	0503031739	ADHESIVE LABEL		001	001	001	001	001
14	0503034438	ADHESIVE LABEL		001	001	001	001	001
15	0503033038	DANGER SIGN		001	001	001	001	001
16	0503034078	LIFTING POINTS DECAL		004	004	004	004	004
17	0503034499	HOSE IDENTIFICATION DECAL		001	001	001	001	001
18	0503031827	LUBRICATE AND RETIGHTEN DAILY DECAL		001	001	001	001	001
19	0503031087	ADHESIVE LABEL		001	001	001	001	001
20	0503031428	READ MANUAL DECAL		001	001	001	001	001
21	0503034021	LABEL ADHESIVE GN		002	002	002	002	002
22	0503034022	ADHESIVE LABEL LOGO TATU 60X80		002	002	002	002	002
23	0521042319	ASSY HEADER	4	001	001	001	001	001
24	0551013708	COUPLING SHAFT		002	002	002	002	002
25	0501011301	1.1/2 UNC 6FPP 2.5/16 NUT		002	002	002	002	002
26	0503010010	1/4" X 2.1/2" COTTERPIN		002	002	002	002	002
27	0501040257	3/4 X 1200 HOSE HOLDER A	6	001	001	001	001	001
28	0503062157	HEADER JACK	7	001	001	001	001	001
29	0521010549	COUPLING SHAFT		001	001	001	001	001
30	0503030168	HAIR PIN		001	001	001	001	001
31	0503010002	1800 GREASE FITTING		001	001	001	001	001
32	0503010003	1845 GREASE FITTING		002	002	002	002	002
33	0501019002	JUNCTION SHAFT		001	001	001	001	001
34	0503030085	LOCK PIN		001	001	001	001	001
35	0521067644	JUNCTION SHAFT		002	002	002	002	002
36	0503031035	HAIR PIN		003	003	003	003	003
37	0501068273	5/8" WRENCH		001	001	001	001	001
38	0501011432	1-1/2" AND 1-5/8 GANG BOLT WRENCH		002	002	002	002	002
39	0501061617	1" GANG BOLT WRENCH		001	001	001	001	001
40	0501047895	ROD STOP		006	006	006	006	006



FRAME ASSY - 68/72/76/80/84D

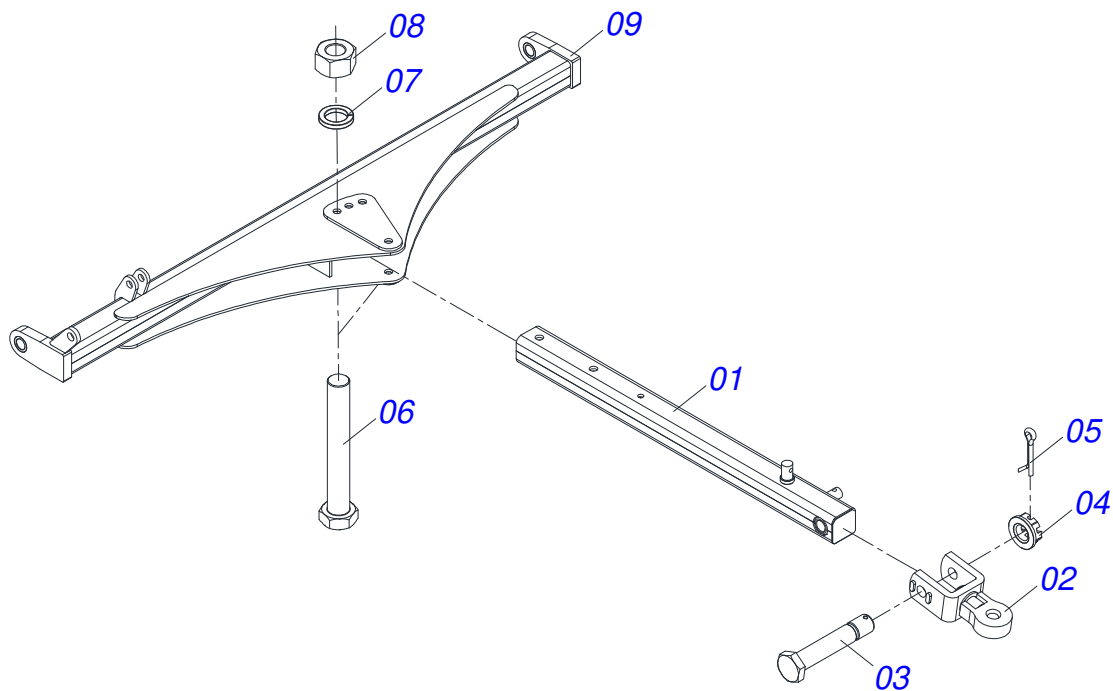
0909098643

Item	Code	Description	See page	068	072	076	080	084
41	0501047885	ROD STOP		004	004	004	004	004
42	0501063963	FRONT SCRAPER		025	027	027	029	029
43	0501063962	REAR SCRAPER		025	027	027	029	029
44	0503011082	C1/2" X 1.3/4" SCREW		100	108	108	116	116
45	0511017302	FLAT WASHER		100	108	108	116	116
46	0503010019	1/2" SPRING WASHER		100	108	108	116	116
47	0503010060	1/2" NUT		100	108	108	116	116
48	0521054742	MANUAL CANISTER ASSY	8	001	001	001	001	001
49	0909098636	OPENING ASSY - 68/72/76/80/84D	10	001	001	001	001	001
50	0909098629	HYDRAULIC CIRCUIT 48/52/56/60/64/68/72/76/80/84D	- 12	001	001	001	001	001
51	0909098637	DISC SECTION - 68D	18	001	000	000	000	000
51.	0909098638	72D - DISC SECTION	19	000	001	000	000	000
51..	0909098639	76D - DISC SECTION	20	000	000	001	000	000
51...	0909098640	80D - DISC SECTION	21	000	000	000	001	000
51....	0909098641	84D - DISC SECTION	22	000	000	000	000	001
52	0501069080	COUPLING SHAFT		001	001	001	001	001

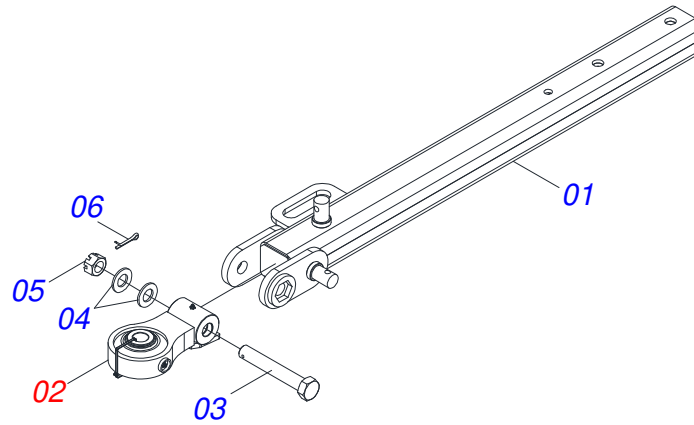


Item	Code	Description	See page	QT
01	0521069308	HITCH BAR (1976)		01
02	0521048502	ASSY TRACTION BAR	5	01
03	0501010334	1" X 7" BOLT		02
04	0503011438	SPRING WASHER		02
05	0501010059	1.5/8 NUT		02

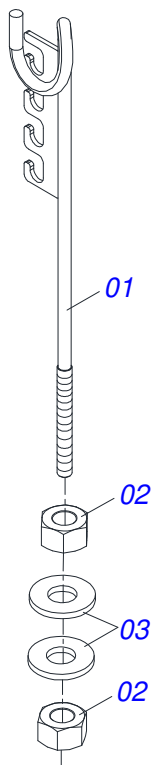
ASSY HEADER



Item	Code	Description	See page	QT
01	0501066715	DRAWBAR ASSY		01
02	0501062869	TRACTOR HITCH		01
03	0501017291	1-1/2" X 8.1" BOLT		01
04	0501011301	1.1/2 UNC 6FPP 2.5/16 NUT		01
05	0503010010	1/4" X 2.1/2" COTTERPIN		01
06	0501010334	1" X 7" BOLT		02
07	0503011438	SPRING WASHER		02
08	0501010059	1.5/8 NUT		02
09	0521064097	OFFSET BAR		01



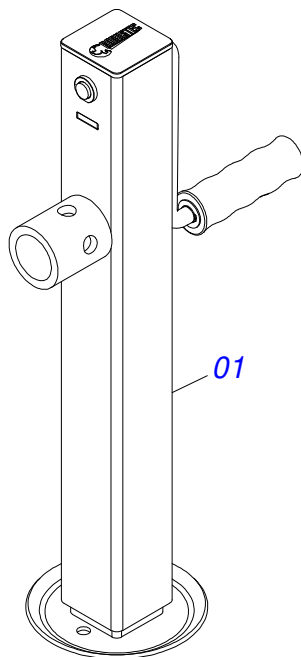
Item	Code	Description	See page	QT
01	0521069165	DRAWBAR ASSY		01
02	0521057520	HITCH ASSY		01
03	0581015973	1.1/4 UNC X 8 C S G5 SCREW		01
04	0501017779	32 X 60 X 4.75 FLAT WASHER		02
05	0503013026	1.1/4" CASTLE NUT		01
06	0503010010	1/4" X 2.1/2" COTTERPIN		01



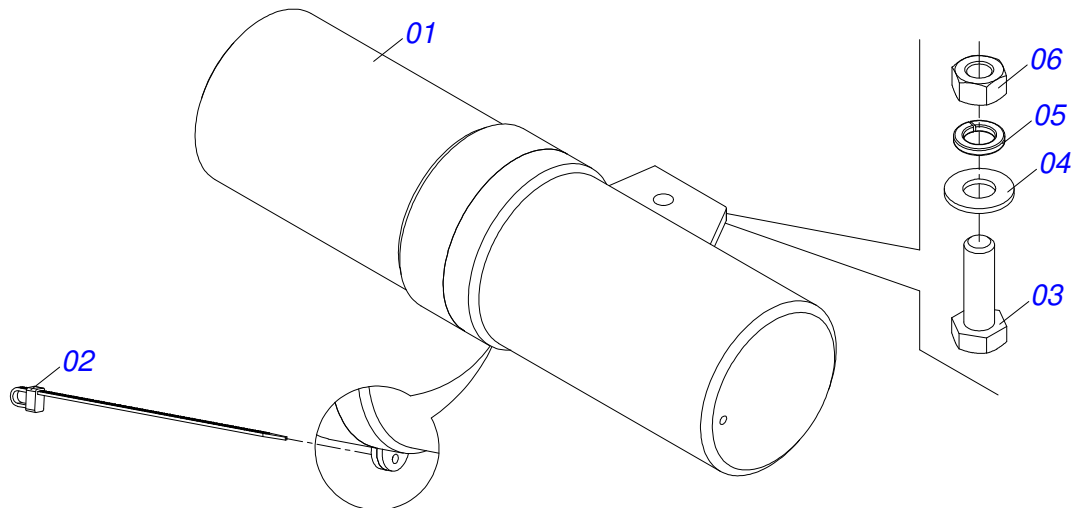
Item	Code	Description	See page	QT
01	0511067334	HOSE SOPPORT ASSY		01
02	0503010014	3/4" NUT		02
03	0501010322	FLAT WASHER		02

HEADER JACK

0503062157

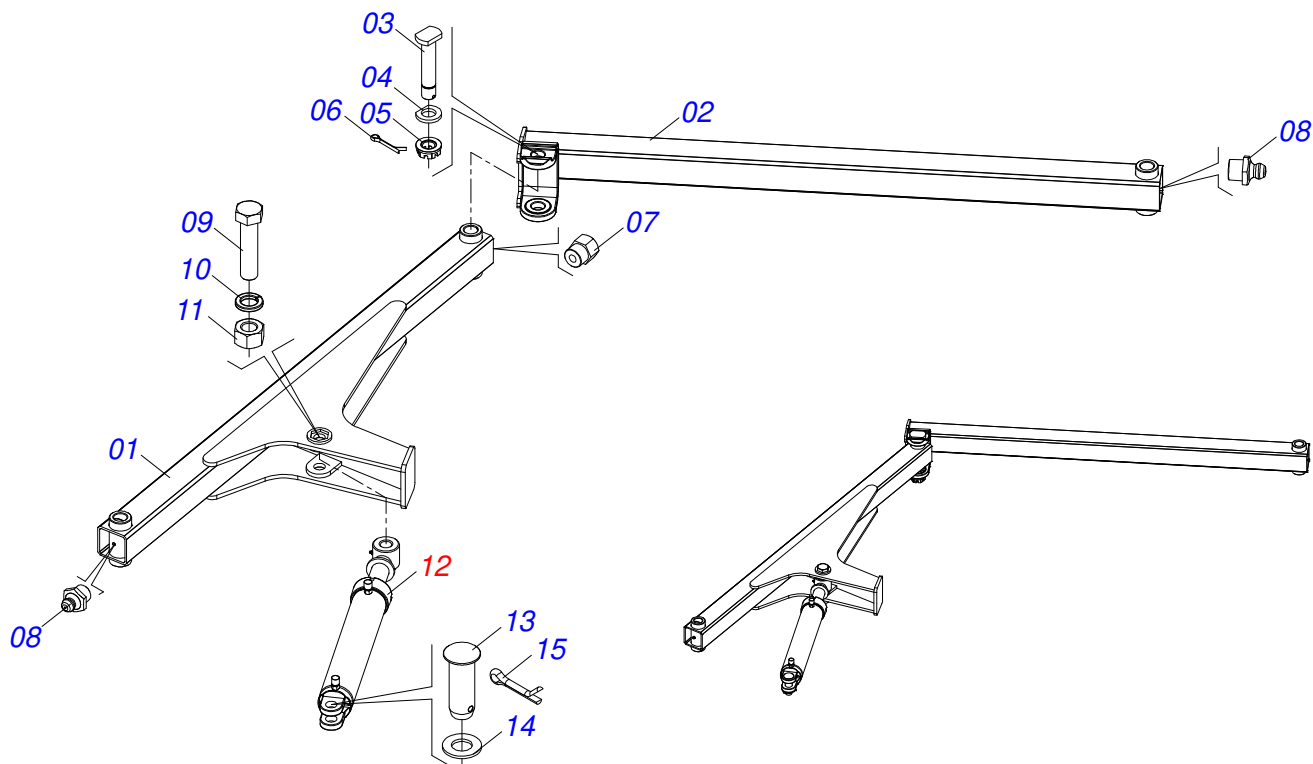


Item	Code	Description	See page	QT
01	0503062157	HEADER JACK	7	01

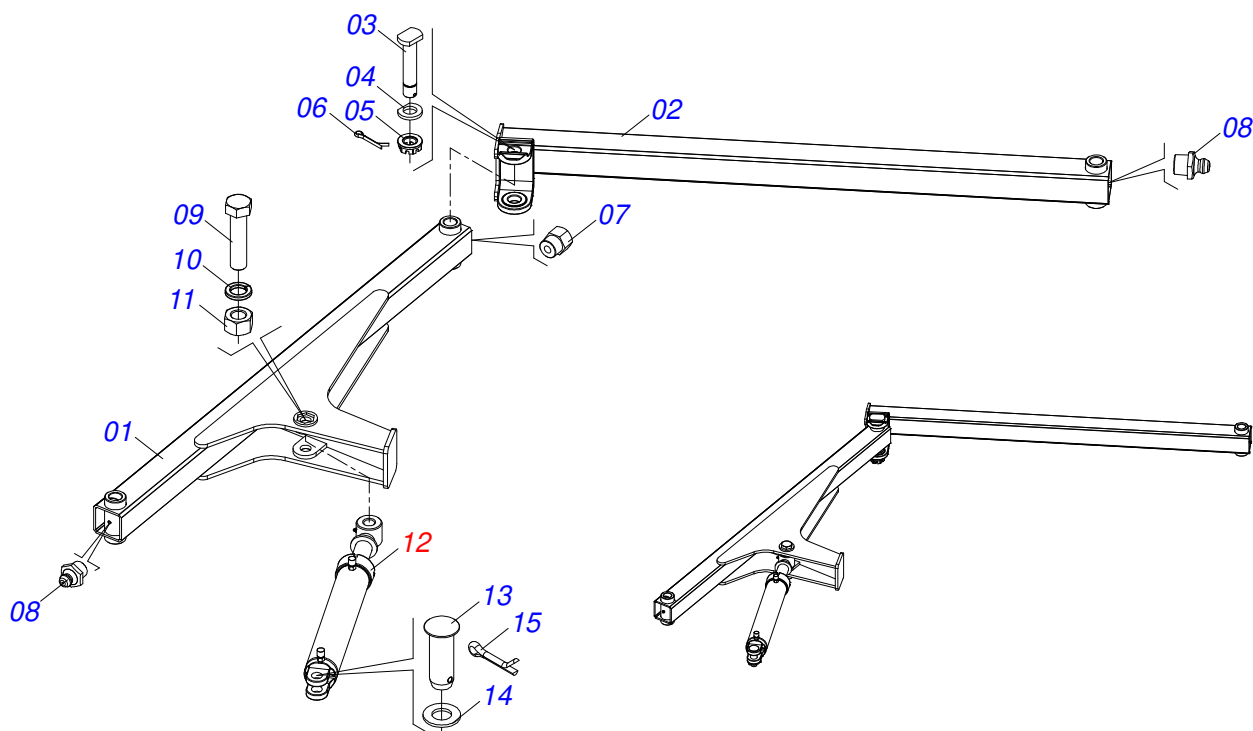


Item	Code	Description	See page	QT
01	0503060100	OPERATOR'S MANUAL STORAGE TUBE		01
02	0503010267	NYLON CLAMP		01
03	0503010363	5/16" X 1" BOLT		01
04	0501010694	8.5 X 18 X 1.5 FLAT WASHER		01
05	0503010179	5/16" ZN SPRING WASHER		01
06	0503010337	5/16" NUT		01



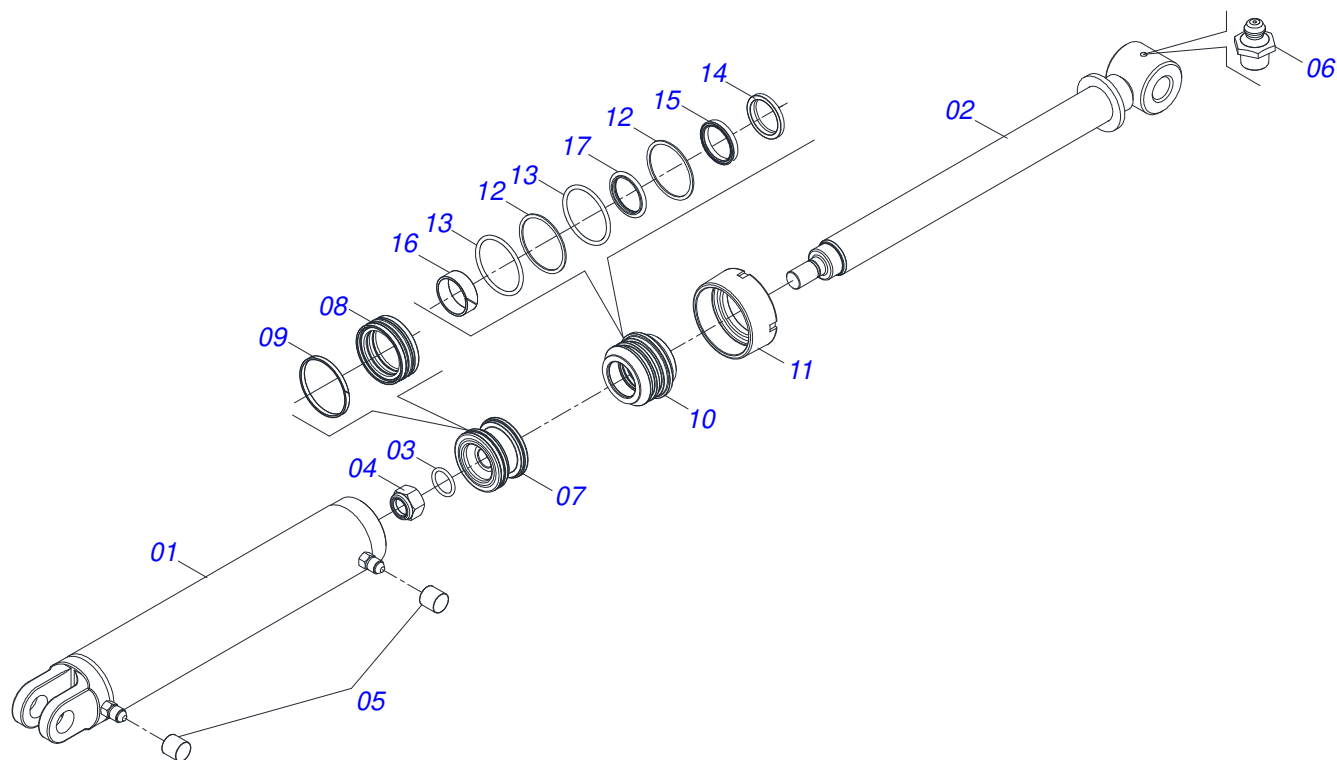


Item	Code	Description	See page	048	052	056	060	064
01	0521068803	FRONT STABILIZER BAR		001	001	001	000	000
01.	0521065407	FRONT STABILIZER BAR		000	000	000	000	001
02	0521068804	REAR STABILIZER BAR		001	001	001	000	000
02.	0521065406	REAR STABILIZER BAR		000	000	000	000	001
03	0531019497	1.5" X 9.2" ARTICULATED AXIS		001	001	001	001	001
04	0531019540	FLAT WASHER		001	001	001	001	001
05	0501011301	1.1/2 UNC 6FPP 2.5/16 NUT		001	001	001	001	001
06	0503010010	1/4" X 2.1/2" COTTERPIN		001	001	001	001	001
07	0503010003	1845 GREASE FITTING		001	001	001	001	001
08	0503010002	1800 GREASE FITTING		002	002	002	002	002
09	0501011106	1-1/4" X 7" SCREW		001	001	001	001	001
10	0503010070	SPRING WASHER		001	001	001	001	001
11	0501010087	1.1/4" NUT		001	001	001	001	001
12	0511058461	HYDRAULIC CYLINDER	11	001	001	001	001	001
13	0521010779	31.75 X 95 COUPLING SHAFT		001	001	001	001	001
14	0501017779	32 X 60 X 4.75 FLAT WASHER		001	001	001	001	001
15	0503010523	1/4" X 2" COTTERPIN		001	001	001	001	001

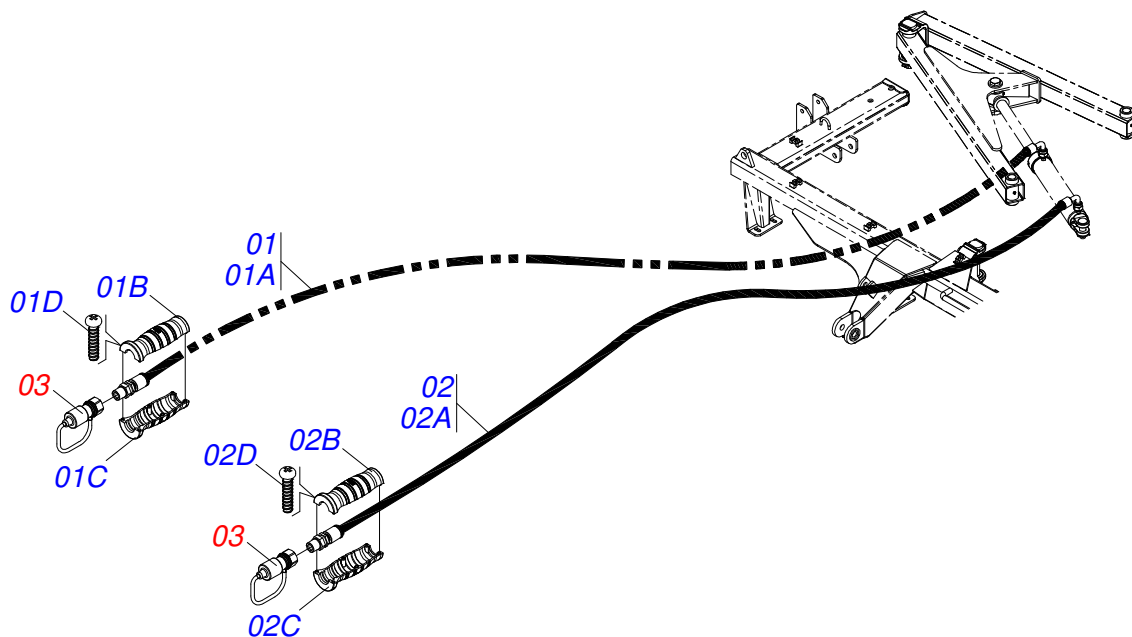


Item	Code	Description	See page	068	072	076	080	084
01	0521065407	FRONT STABILIZER BAR		001	001	000	000	000
01.	0521069184	FRONT STABILIZER BAR 1950		000	000	001	001	001
02	0521065406	REAR STABILIZER BAR		001	001	000	000	000
02.	0521069193	REAR STABILIZER BAR		000	000	001	001	001
03	0531019497	1.5" X 9.2" ARTICULATED AXIS		001	001	001	001	001
04	0531019540	FLAT WASHER		001	001	001	001	001
05	0501011301	1.1/2 UNC 6FPP 2.5/16 NUT		001	001	001	001	001
06	0503010010	1/4" X 2.1/2" COTTERPIN		001	001	001	001	001
07	0503010003	1845 GREASE FITTING		001	001	001	001	001
08	0503010002	1800 GREASE FITTING		002	002	002	002	002
09	0501011106	1-1/4" X 7" SCREW		001	001	001	001	001
10	0503010070	SPRING WASHER		001	001	001	001	001
11	0501010087	1.1/4" NUT		001	001	001	001	001
12	0511058461	HYDRAULIC CYLINDER	11	001	001	001	001	001
13	0521010779	31.75 X 95 COUPLING SHAFT		001	001	001	001	001
14	0501017779	32 X 60 X 4.75 FLAT WASHER		001	001	001	001	001
15	0503010523	1/4" X 2" COTTERPIN		001	001	001	001	001

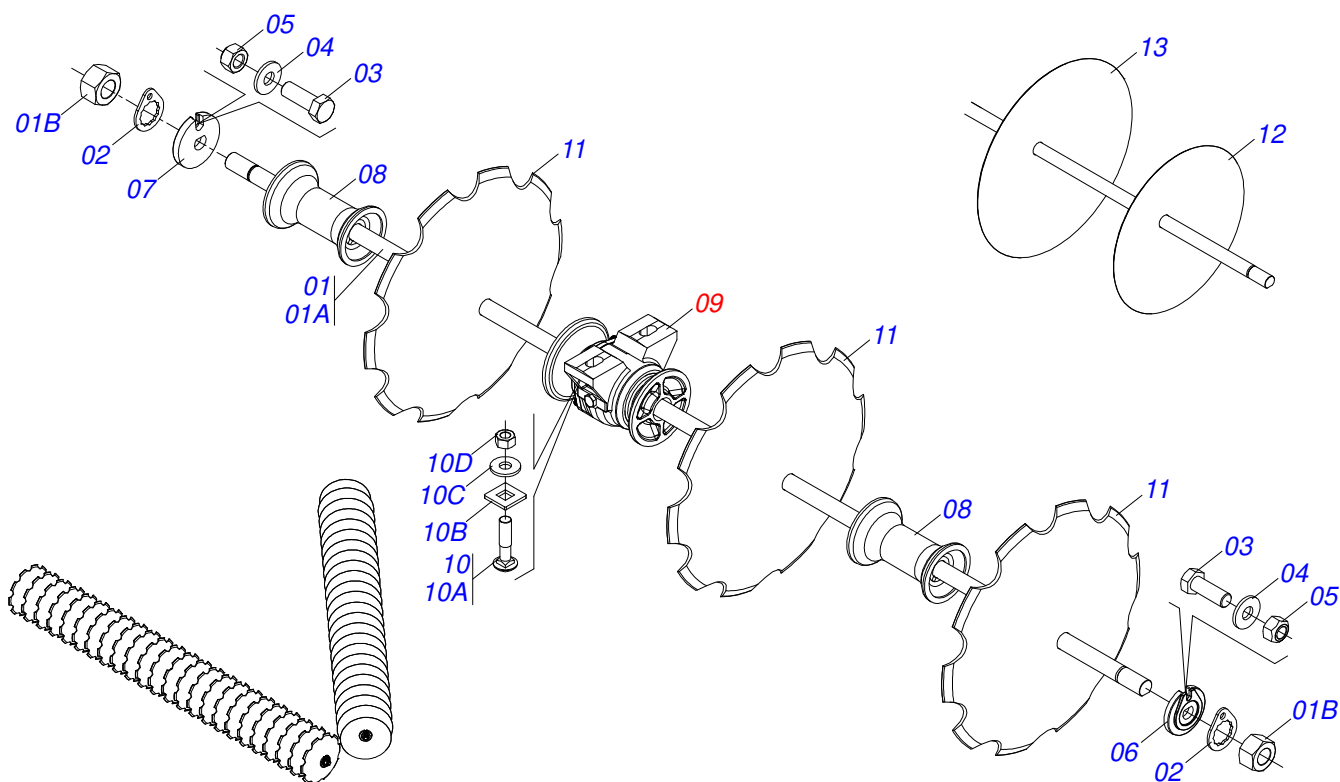
HYDRAULIC CYLINDER



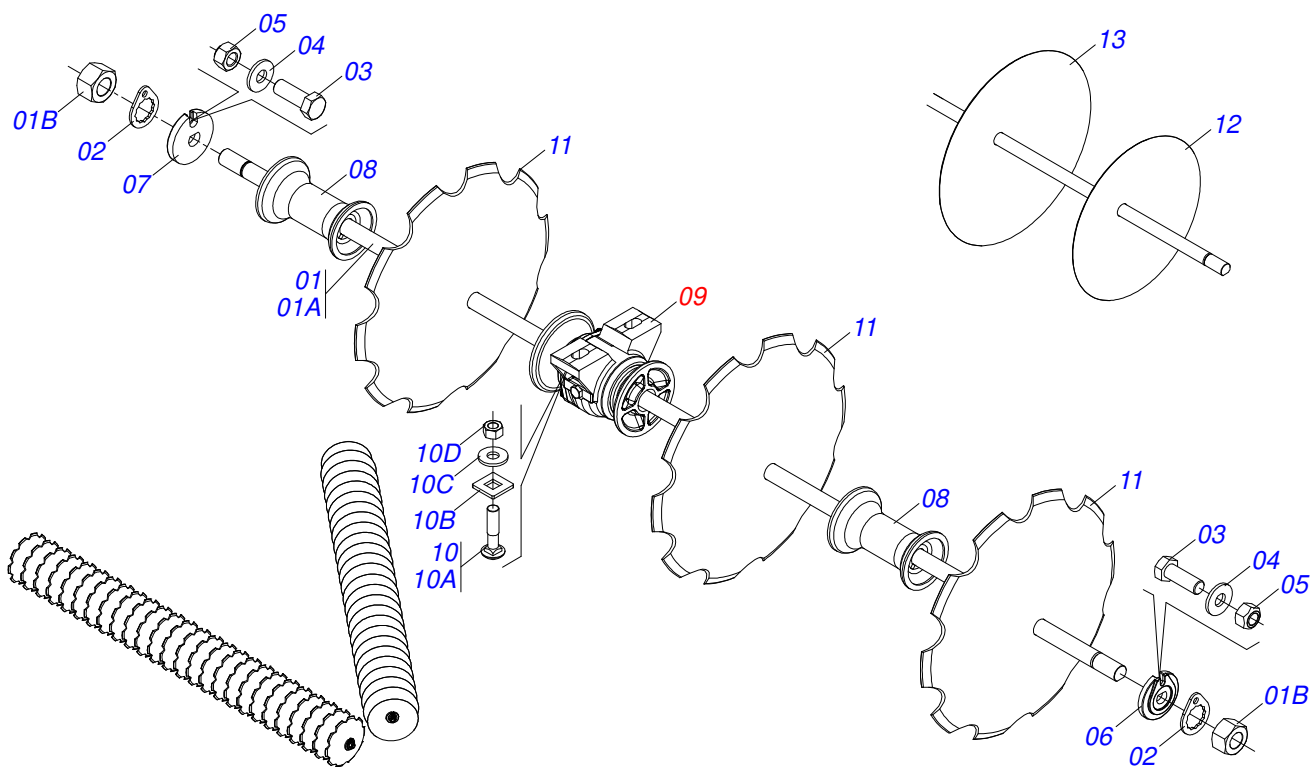
Item	Code	Description	See page	QT
01	0521063982	CYLINDER CASE		01
02	0521067533	50,80 X 697 EXTENSOR		01
03	0503010042	2-214 N 3006-9B O'RING		01
04	0503010063	1" SELF-ALIGNING NUT		01
05	0503030385	CYLINDER PLUG N-002		02
06	0503010002	1800 GREASE FITTING		01
07	0571019710	1.7" X 3.4" PISTON		01
08	0503017935	RING		01
09	0503018144	RING		01
10	0581013228	50,80 X 85,72 SUPPORT RINGS		01
11	0581013227	85,72 MOVE COVER		01
12	0503017940	8-337 BACK-UP RING		02
13	0503017939	2-337 N 3006-9B O' RING		02
14	0503010039	D-2000 SCRAPER RING		01
15	0503018026	1870-2000-375 B GASKET		01
16	0503018025	RING GUIDE		01
17	0503018024	RING BS		01



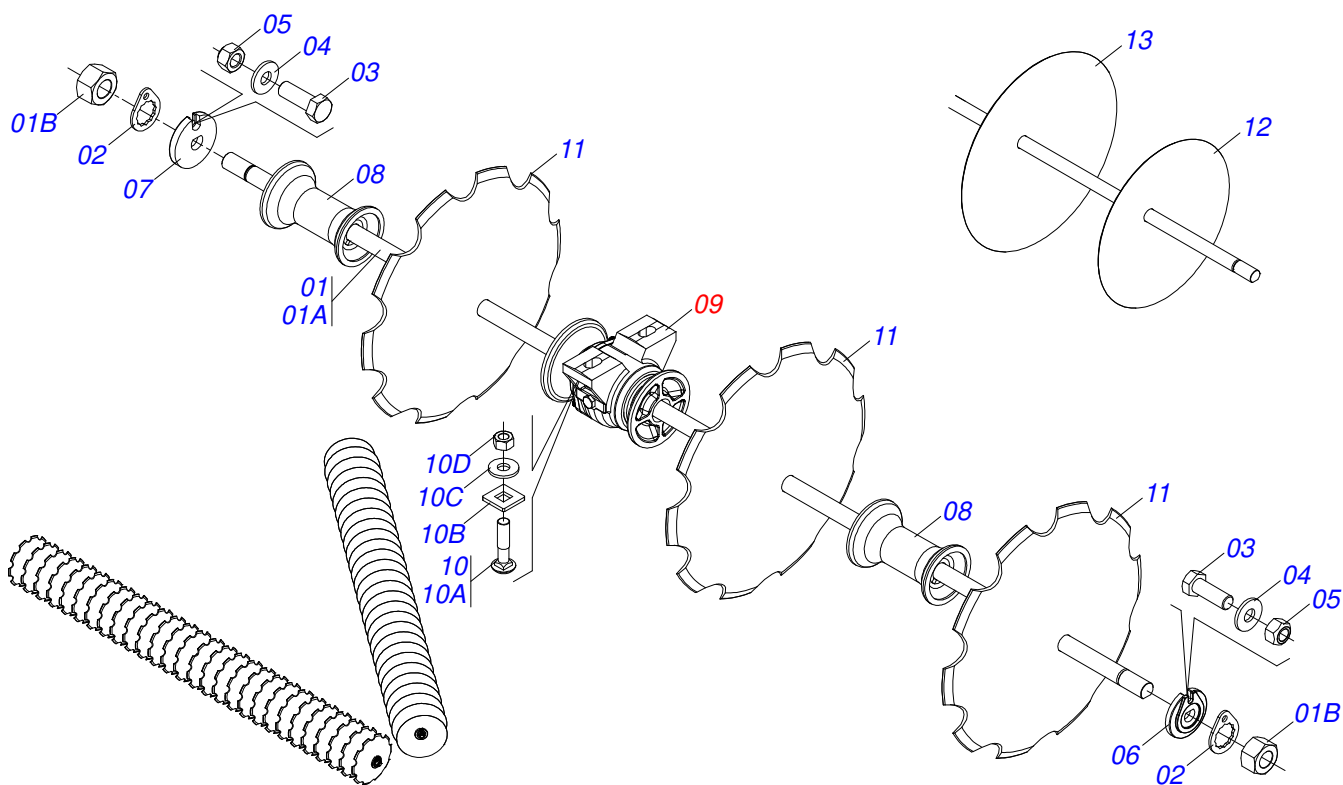
Item	Code	Description	See page	QT
01	0521053413	3/8" X 177" TC-TM HOSE		01
01A	0501080362	3/8" X 177" TC-TM HOSE		01
01B	0503034491	HYDRAULIC HOSE GRIP (PURPLE)		01
01C	0503034495	HYDRAULIC HOSE GRIP (RED)		01
01D	0503018952	PLASTIC BOLT		06
02	0521053414	3/8" X 177 TC-TM HOSE		01
02A	0501080362	3/8" X 177" TC-TM HOSE		01
02B	0503034491	HYDRAULIC HOSE GRIP (PURPLE)		01
02C	0503034494	HYDRAULIC HOSE GRIP (BLUE)		01
02D	0503018952	PLASTIC BOLT		06
03	0501053834	MALE QUICK COUPLER WITH CAP - 1/2 NPT		02



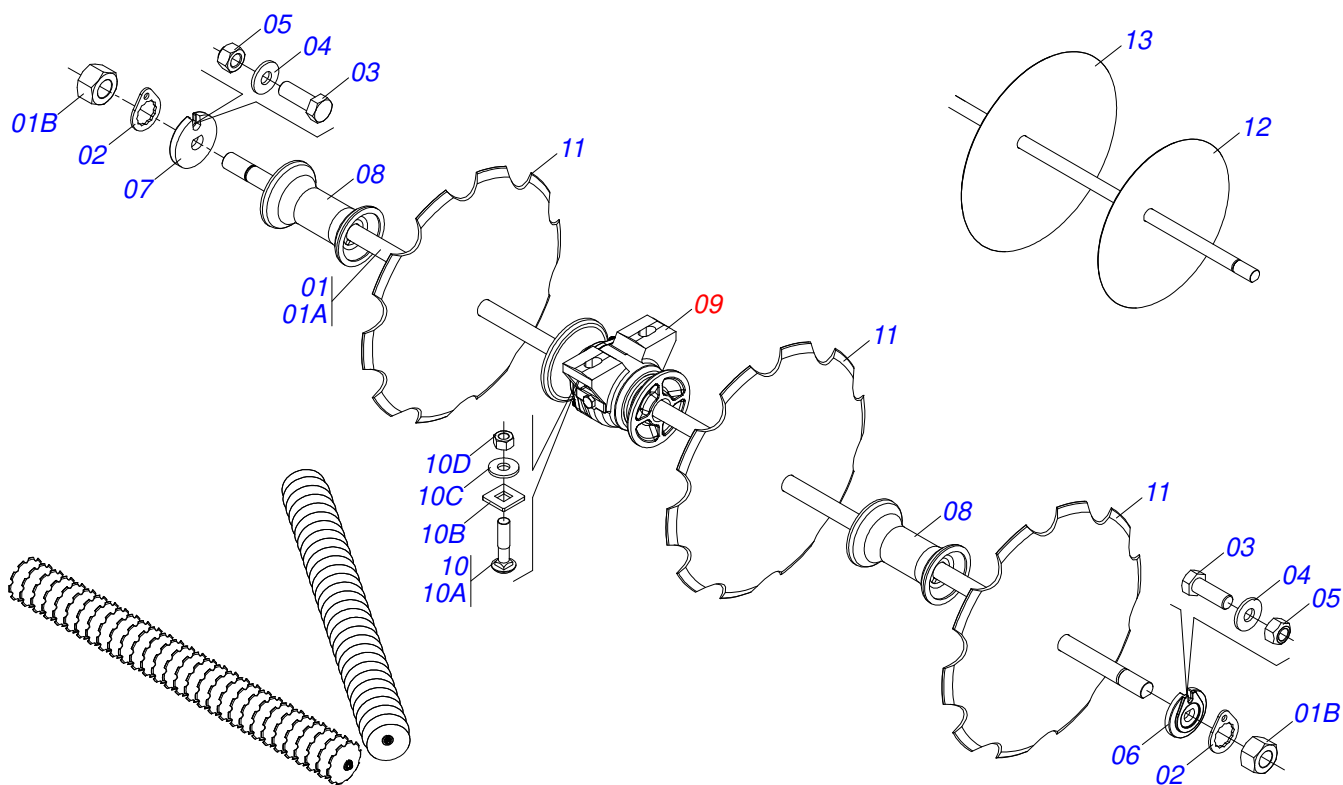
Item	Code	Description	See page	QT
01	0521045341	AXLE		04
01A	0511012017	AXLE		01
01B	0501010110	1.1/2" NUT		02
02	0501018592	1.5/8" NUT LOCK		08
03	0503011267	BOLT 5/8 UNC X 1.1/2 C S G.5 ZN		08
04	0501012140	FLAT WASHER		08
05	0503010013	5/8" NUT		08
06	0502010871	1-1/2" EXTERNAL AXLE WASHER		04
07	0502010872	1-1/2" INNER AXLE WASHER		04
08	0502010627	SPACER		32
09	0501047055	BEARING	23	12
10	0501058802	5/8 UNC X 2.3/4 BOLT ASSY		24
10A	0503015154	5/8" X 2.3/4" BOLT		01
10B	0501010947	5/8 NUT LOCK		01
10C	0501012140	FLAT WASHER		01
10D	0503010013	5/8" NUT		02
11	0602027341	DR20X3,5 C57AF02FR1.9/16 10R TATU		42
11.	0602027356	DR20X4,5 C57AF02FR1.9/16 10REC TATU		24
11..	0602029422	DR22X3,5 C64AF02FR1.9/16 10R TATU		24
11...	0602029416	DR22X4,5 C64AF02FR1.9/16 10REC TATU		24
11....	0602030429	NOTCHED DISC BLADE		24
12	0601025033	DL18X3,5 C45AF02FR1.9/16"		02
12.	0601025099	18" X 0.1" PLAIN DISC BLADE		02
12..	0601029414	DL22X4,5 C63AF02FR1.9/16 TATU		02
13	0601027302	DL20X3,5 C57AF02FR1.9/16 TATU		40
13.	0601027299	DL20X4,5 C57AF02FR1.9/16 TATU		22
13..	0601029419	DL22X3,5 C64AF02FR1.9/16 TATU		22
13...	0601029413	DL22X4,5 C64AF02FR1.9/16 TATU		22
13....	0601031134	DL24X4,5 C66AF02FR1.9/16 D006 TT		22



Item	Code	Description	See page	QT
01	0511054527	AXIS 1.1/2" UNC X 2490 WITH NUTS		04
01A	0531019372	AXIS 1.1/2 6FPP X 2490		01
01B	0501010110	1.1/2" NUT		02
02	0501018592	1.5/8" NUT LOCK		08
03	0503011267	BOLT 5/8 UNC X 1.1/2 C S G.5 ZN		08
04	0501012140	FLAT WASHER		08
05	0503010013	5/8" NUT		08
06	0502010871	1-1/2" EXTERNAL AXLE WASHER		04
07	0502010872	1-1/2" INNER AXLE WASHER		04
08	0502010627	SPACER		36
09	0501047055	BEARING	23	12
10	0501058802	5/8 UNC X 2.3/4 BOLT ASSY		24
10A	0503015154	5/8" X 2.3/4" BOLT		01
10B	0501010947	5/8 NUT LOCK		01
10C	0501012140	FLAT WASHER		01
10D	0503010013	5/8" NUT		02
11	0602027341	DR20X3,5 C57AF02FR1.9/16 10R TATU		26
11.	0602027356	DR20X4,5 C57AF02FR1.9/16 10REC TATU		26
11..	0602029422	DR22X3,5 C64AF02FR1.9/16 10R TATU		26
11...	0602029416	DR22X4,5 C64AF02FR1.9/16 10REC TATU		26
11....	0602030429	NOTCHED DISC BLADE		26
12	0601025033	DL18X3,5 C45AF02FR1.9/16"		02
12.	0601025099	18" X 0.1" PLAIN DISC BLADE		02
12..	0601029414	DL22X4,5 C63AF02FR1.9/16 TATU		02
13	0601027302	DL20X3,5 C57AF02FR1.9/16 TATU		02
13.	0601027299	DL20X4,5 C57AF02FR1.9/16 TATU		02
13..	0601029419	DL22X3,5 C64AF02FR1.9/16 TATU		24
13...	0601029413	DL22X4,5 C64AF02FR1.9/16 TATU		24
13....	0601031134	DL24X4,5 C66AF02FR1.9/16 D006 TT		24

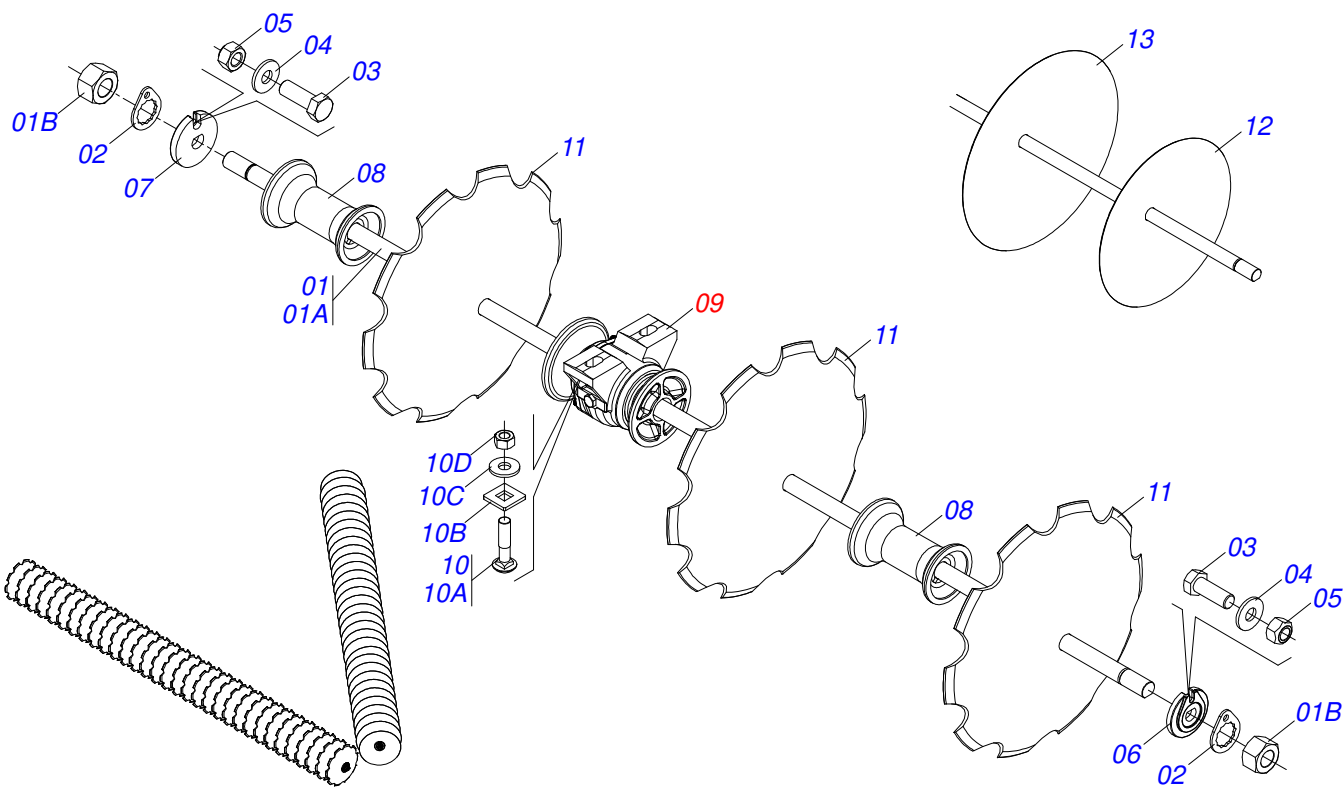


Item	Code	Description	See page	QT
01	0511045023	1.1/2" X 2680 AXLE		04
01A	0551011002	1.1/2" X 2680 AXLE		01
01B	0501010110	1.1/2" NUT		02
02	0501018592	1.5/8" NUT LOCK		08
03	0503011267	BOLT 5/8 UNC X 1.1/2 C S G.5 ZN		08
04	0501012140	FLAT WASHER		08
05	0503010013	5/8" NUT		08
06	0502010871	1-1/2" EXTERNAL AXLE WASHER		04
07	0502010872	1-1/2" INNER AXLE WASHER		04
08	0502010627	SPACER		40
09	0501047055	BEARING	23	12
10	0501058802	5/8 UNC X 2.3/4 BOLT ASSY		24
10A	0503015154	5/8" X 2.3/4" BOLT		01
10B	0501010947	5/8 NUT LOCK		01
10C	0501012140	FLAT WASHER		01
10D	0503010013	5/8" NUT		02
11	0602027341	DR20X3,5 C57AF02FR1.9/16 10R TATU		28
11.	0602027356	DR20X4,5 C57AF02FR1.9/16 10REC TATU		26
11..	0602029422	DR22X3,5 C64AF02FR1.9/16 10R TATU		28
11...	0602029416	DR22X4,5 C64AF02FR1.9/16 10REC TATU		28
11....	0602030429	NOTCHED DISC BLADE		28
12	0601025033	DL18X3,5 C45AF02FR1.9/16"		02
12.	0601025099	18" X 0.1" PLAIN DISC BLADE		02
12..	0601029414	DL22X4,5 C63AF02FR1.9/16 TATU		02
13	0601027302	DL20X3,5 C57AF02FR1.9/16 TATU		02
13.	0601027299	DL20X4,5 C57AF02FR1.9/16 TATU		02
13..	0601029419	DL22X3,5 C64AF02FR1.9/16 TATU		26
13...	0601029413	DL22X4,5 C64AF02FR1.9/16 TATU		02
13....	0601031134	DL24X4,5 C66AF02FR1.9/16 D006 TT		26

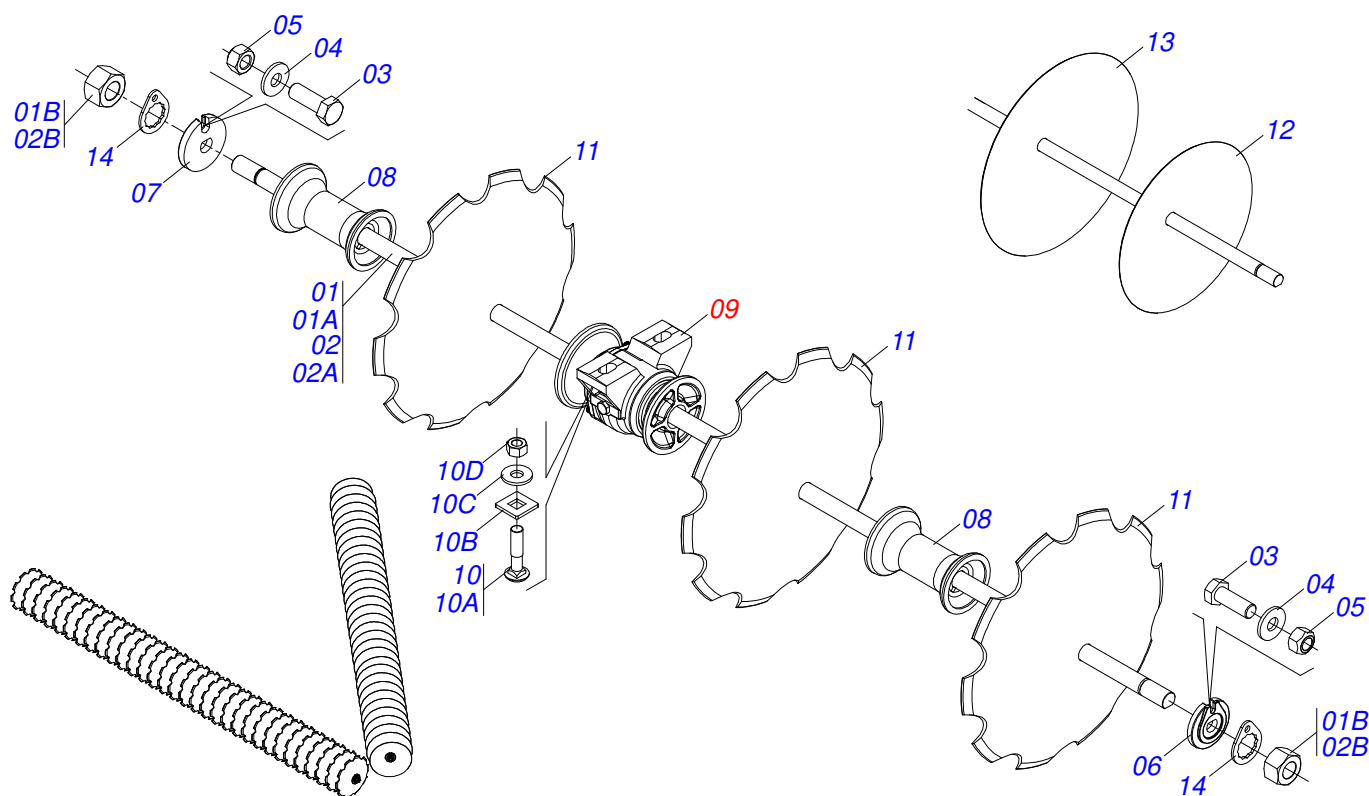


Item	Code	Description	See page	QT
01	0501059898	1.1/2 X 2880 AXLE ASSY		04
01A	0561016111	1.1/2 X 2880 AXLE		01
01B	0501010110	1.1/2" NUT		02
02	0501018592	1.5/8" NUT LOCK		08
03	0503011267	BOLT 5/8 UNC X 1.1/2 C S G.5 ZN		08
04	0501012140	FLAT WASHER		08
05	0503010013	5/8" NUT		08
06	0502010871	1-1/2" EXTERNAL AXLE WASHER		04
07	0502010872	1-1/2" INNER AXLE WASHER		04
08	0502010627	SPACER		44
09	0501047055	BEARING	23	12
10	0501058802	5/8 UNC X 2.3/4 BOLT ASSY		24
10A	0503015154	5/8" X 2.3/4" BOLT		01
10B	0501010947	5/8 NUT LOCK		01
10C	0501012140	FLAT WASHER		01
10D	0503010013	5/8" NUT		02
11	0602027341	DR20X3,5 C57AF02FR1.9/16 10R TATU		30
11.	0602027356	DR20X4,5 C57AF02FR1.9/16 10REC TATU		30
11..	0602029422	DR22X3,5 C64AF02FR1.9/16 10R TATU		30
11...	0602029416	DR22X4,5 C64AF02FR1.9/16 10REC TATU		30
11....	0602030429	NOTCHED DISC BLADE		30
12	0601025033	DL18X3,5 C45AF02FR1.9/16"		02
12.	0601025099	18" X 0.1" PLAIN DISC BLADE		02
12..	0601029414	DL22X4,5 C63AF02FR1.9/16 TATU		02
13	0601027302	DL20X3,5 C57AF02FR1.9/16 TATU		02
13.	0601027299	DL20X4,5 C57AF02FR1.9/16 TATU		02
13..	0601029419	DL22X3,5 C64AF02FR1.9/16 TATU		28
13...	0601029413	DL22X4,5 C64AF02FR1.9/16 TATU		02
13....	0601031134	DL24X4,5 C66AF02FR1.9/16 D006 TT		28

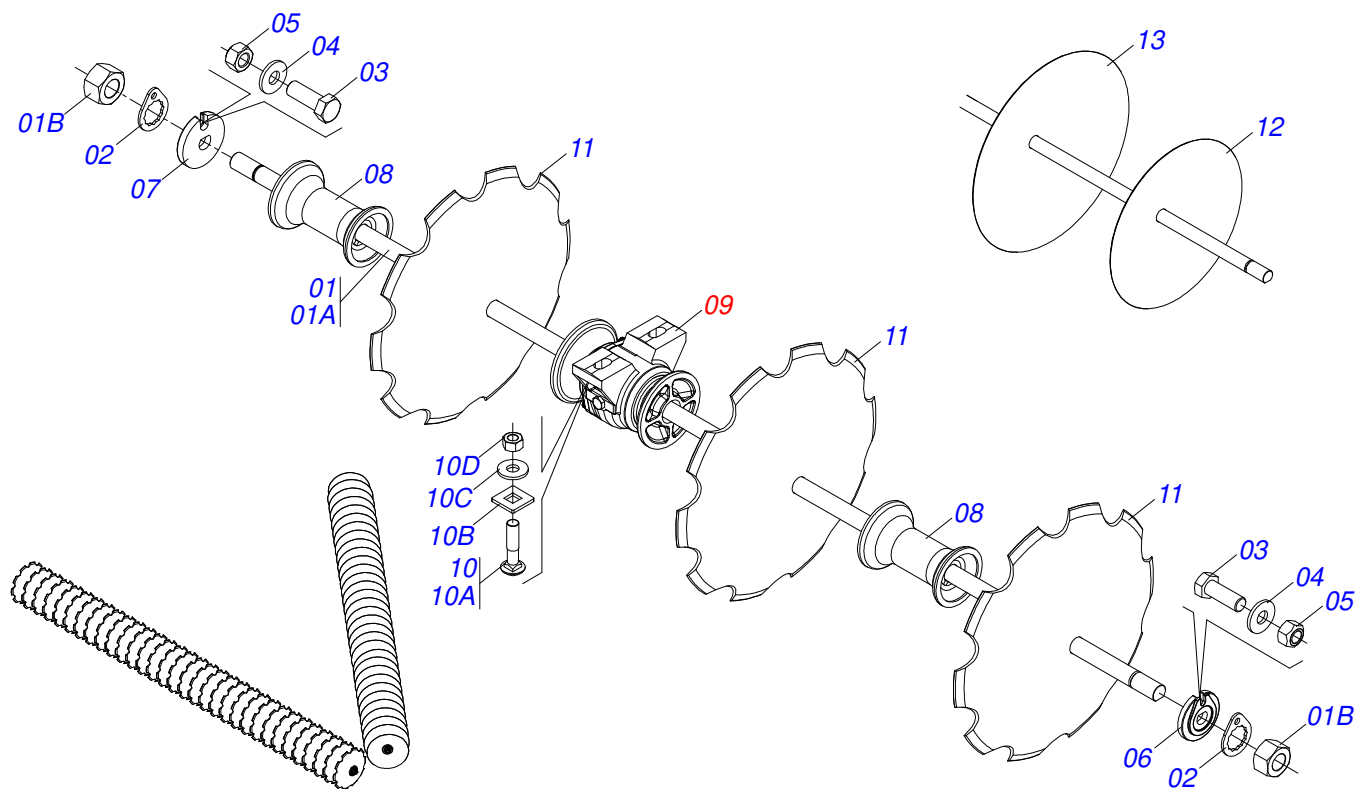




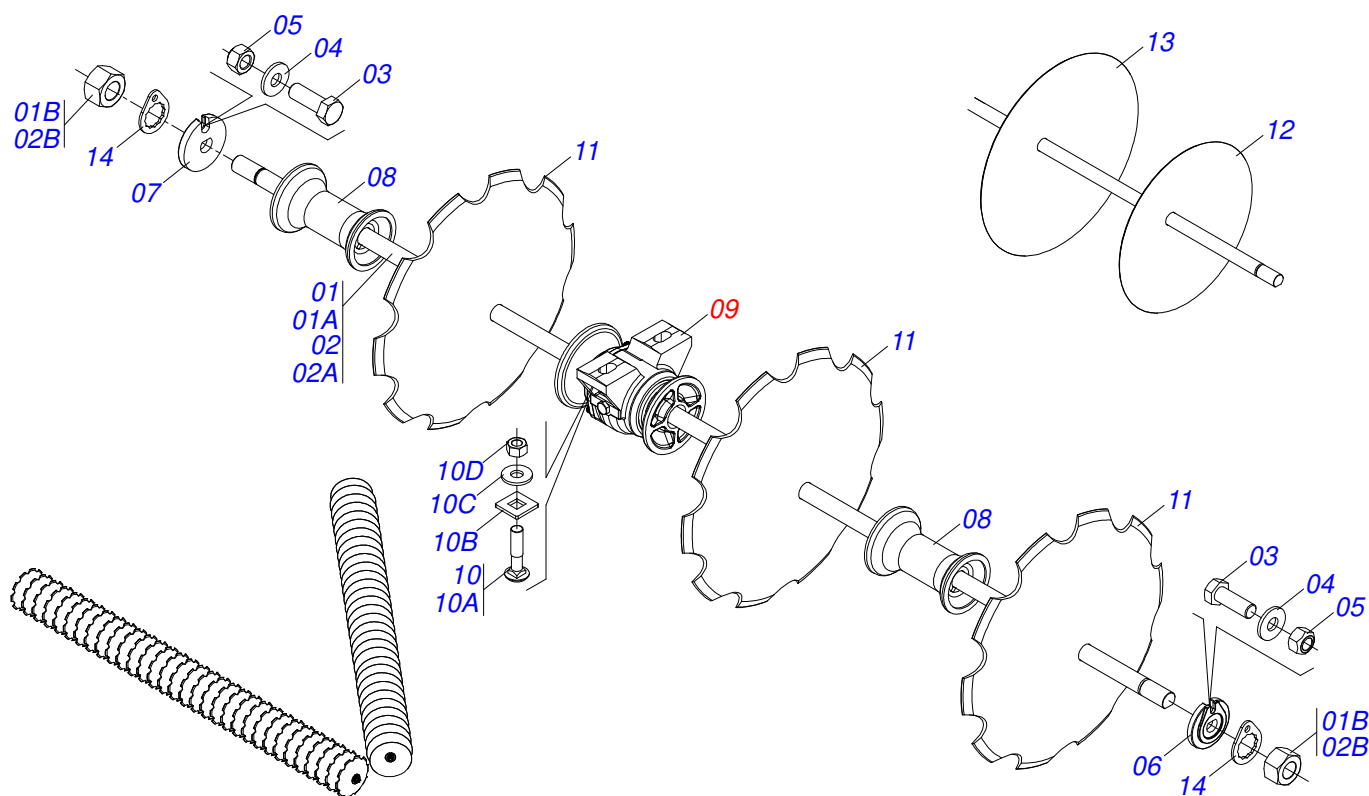
Item	Code	Description	See page	QT
01	0501043697	1.1/2" X 1505 AXLE ASSY		08
01A	0511012601	1.1/2" X 1505 AXLE		01
01B	0501010110	1.1/2" NUT		02
02	0501018592	1.5/8" NUT LOCK		16
03	0503011267	BOLT 5/8 UNC X 1.1/2 C S G.5 ZN		16
04	0501012140	FLAT WASHER		16
05	0503010013	5/8" NUT		16
06	0502010871	1-1/2" EXTERNAL AXLE WASHER		08
07	0502010872	1-1/2" INNER AXLE WASHER		08
08	0502010627	SPACER		40
09	0501047055	BEARING	23	16
10	0501058802	5/8 UNC X 2.3/4 BOLT ASSY		32
10A	0503015154	5/8" X 2.3/4" BOLT		01
10B	0501010947	5/8 NUT LOCK		01
10C	0501012140	FLAT WASHER		01
10D	0503010013	5/8" NUT		02
11	0602027341	DR20X3,5 C57AF02FR1.9/16 10R TATU		32
11.	0602027356	DR20X4,5 C57AF02FR1.9/16 10REC TATU		02
11..	0602029422	DR22X3,5 C64AF02FR1.9/16 10R TATU		32
11...	0602029416	DR22X4,5 C64AF02FR1.9/16 10REC TATU		62
11....	0602030429	NOTCHED DISC BLADE		32
12	0601025033	DL18X3,5 C45AF02FR1.9/16"		02
12.	0601025099	18" X 0.1" PLAIN DISC BLADE		02
12..	0601029414	DL22X4,5 C63AF02FR1.9/16 TATU		02
13	0601027302	DL20X3,5 C57AF02FR1.9/16 TATU		02
13.	0601027299	DL20X4,5 C57AF02FR1.9/16 TATU		30
13..	0601029419	DL22X3,5 C64AF02FR1.9/16 TATU		30
13...	0601029413	DL22X4,5 C64AF02FR1.9/16 TATU		30
13....	0601031134	DL24X4,5 C66AF02FR1.9/16 D006 TT		30



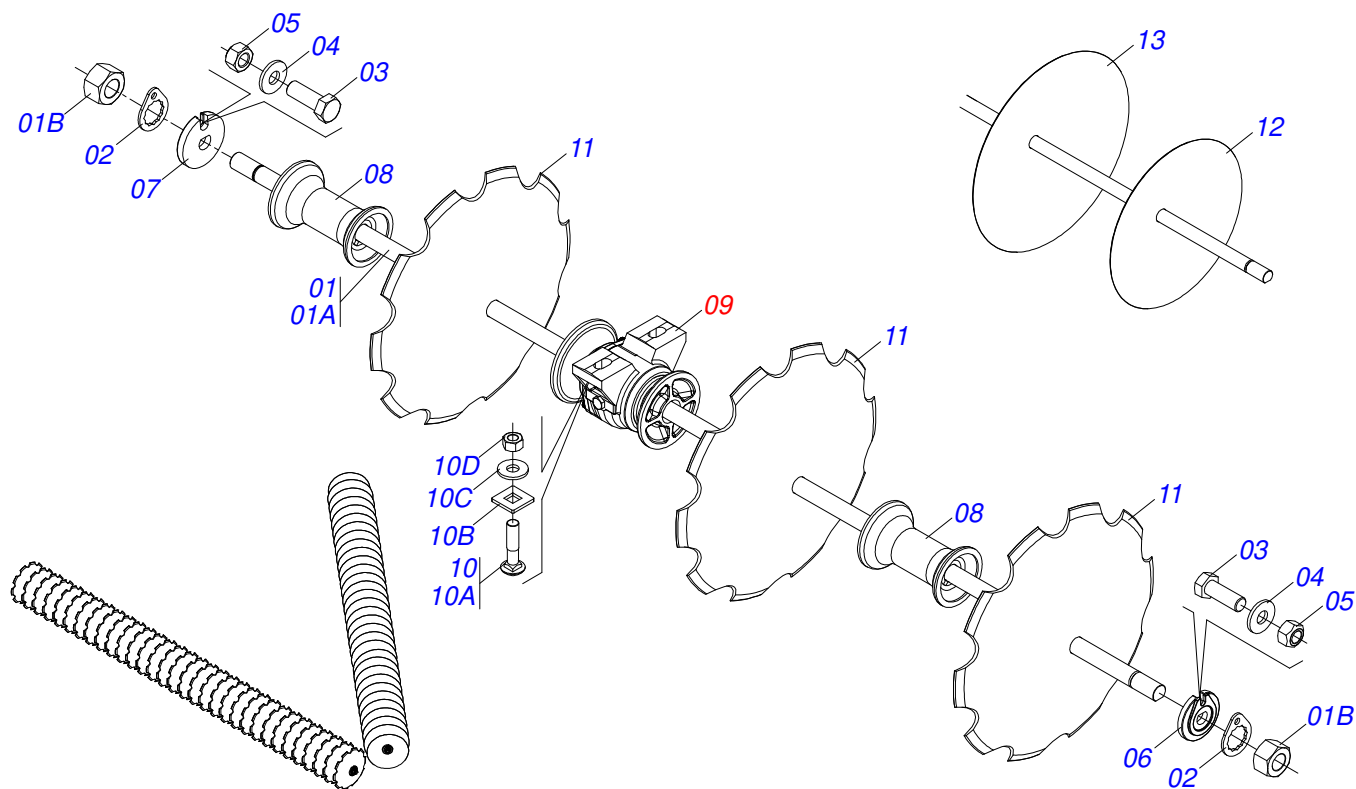
Item	Code	Description	See page	QT
01	0501043697	1.1/2" X 1505 AXLE ASSY		04
01A	0511012601	1.1/2" X 1505 AXLE		01
01B	0501010110	1.1/2" NUT		02
02	0501046884	1.1/2 X 1705 AXLE W/NUT		04
02A	0501018720	1.1/2 X 1705 AXLE		01
02B	0501010110	1.1/2" NUT		02
03	0503011267	BOLT 5/8 UNC X 1.1/2 C S G.5 ZN		16
04	0501012140	FLAT WASHER		16
05	0503010013	5/8" NUT		16
06	0502010871	1-1/2" EXTERNAL AXLE WASHER		08
07	0502010872	1-1/2" INNER AXLE WASHER		08
08	0502010627	SPACER		44
09	0501047055	BEARING	23	16
10	0501058802	5/8 UNC X 2.3/4 BOLT ASSY		32
10A	0503015154	5/8" X 2.3/4" BOLT		01
10B	0501010947	5/8 NUT LOCK		01
10C	0501012140	FLAT WASHER		01
10D	0503010013	5/8" NUT		02
11	0602027341	DR20X3,5 C57AF02FR1.9/16 10R TATU		34
11.	0602027356	DR20X4,5 C57AF02FR1.9/16 10REC TATU		34
11..	0602029422	DR22X3,5 C64AF02FR1.9/16 10R TATU		34
11...	0602029416	DR22X4,5 C64AF02FR1.9/16 10REC TATU		34
11....	0602030429	NOTCHED DISC BLADE		34
12	0601025033	DL18X3,5 C45AF02FR1.9/16"		02
12.	0601025099	18" X 0.1" PLAIN DISC BLADE		02
12..	0601029414	DL22X4,5 C63AF02FR1.9/16 TATU		32
13	0601027302	DL20X3,5 C57AF02FR1.9/16 TATU		32
13.	0601027299	DL20X4,5 C57AF02FR1.9/16 TATU		32
13..	0601029413	DL22X4,5 C64AF02FR1.9/16 TATU		32
14	0501018592	1.5/8" NUT LOCK		16



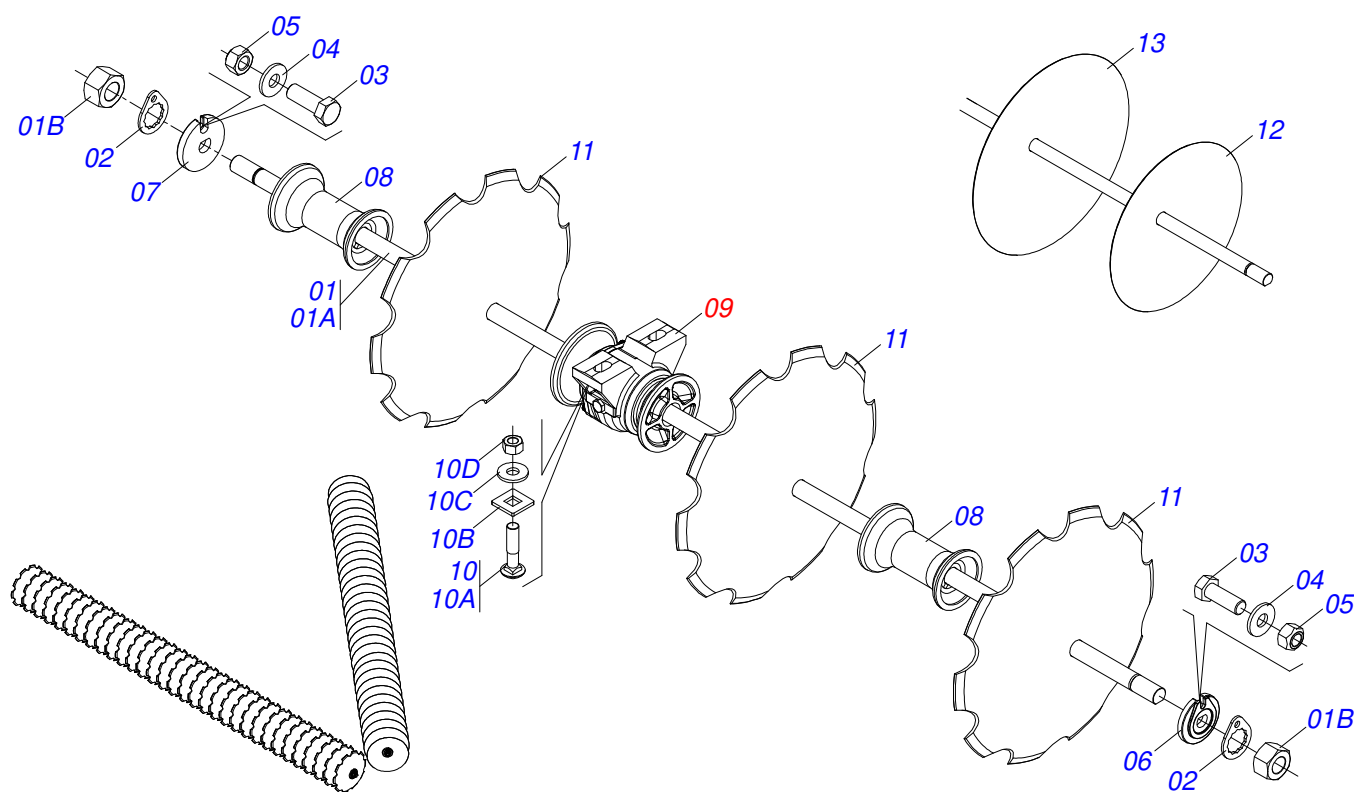
Item	Code	Description	See page	QT
01	0501046884	1.1/2 X 1705 AXLE W/NUT		08
01A	0501018720	1.1/2 X 1705 AXLE		01
01B	0501010110	1.1/2" NUT		02
02	0501018592	1.5/8" NUT LOCK		16
03	0503011267	BOLT 5/8 UNC X 1.1/2 C S G.5 ZN		16
04	0501012140	FLAT WASHER		16
05	0503010013	5/8" NUT		16
06	0502010871	1-1/2" EXTERNAL AXLE WASHER		08
07	0502010872	1-1/2" INNER AXLE WASHER		08
08	0502010627	SPACER		48
09	0501047055	BEARING	23	16
10	0501058802	5/8 UNC X 2.3/4 BOLT ASSY		32
10A	0503015154	5/8" X 2.3/4" BOLT		01
10B	0501010947	5/8 NUT LOCK		01
10C	0501012140	FLAT WASHER		01
10D	0503010013	5/8" NUT		02
11	0602027341	DR20X3,5 C57AF02FR1.9/16 10R TATU		36
11.	0602027356	DR20X4,5 C57AF02FR1.9/16 10REC TATU		36
11..	0602029422	DR22X3,5 C64AF02FR1.9/16 10R TATU		36
11...	0602029416	DR22X4,5 C64AF02FR1.9/16 10REC TATU		36
11....	0602030429	NOTCHED DISC BLADE		36
12	0601025033	DL18X3,5 C45AF02FR1.9/16"		02
12.	0601025099	18" X 0.1" PLAIN DISC BLADE		02
12..	0601027300	DL20X3,5 C57AF02FR1.9/16 TATU		02
13	0601027302	DL20X3,5 C57AF02FR1.9/16 TATU		34
13.	0601027299	DL20X4,5 C57AF02FR1.9/16 TATU		34
13..	0601029404	DL22X3,5 C64AF02FR1.9/16 TATU		34
13...	0601029413	DL22X4,5 C64AF02FR1.9/16 TATU		34
13....	0601031134	DL24X4,5 C66AF02FR1.9/16 D006 TT		34



Item	Code	Description	See page	QT
01	0501043697	1.1/2" X 1505 AXLE ASSY		06
01A	0511012601	1.1/2" X 1505 AXLE		01
01B	0501010110	1.1/2" NUT		02
02	0501044105	1.1/2 X 1305 AXLE W/NUT		04
02A	0511011914	1.1/2 X 1305 AXLE		01
02B	0501010110	1.1/2" NUT		02
03	0503011267	BOLT 5/8 UNC X 1.1/2 C S G.5 ZN		20
04	0501012140	FLAT WASHER		20
05	0503010013	5/8" NUT		20
06	0502010871	1-1/2" EXTERNAL AXLE WASHER		10
07	0502010872	1-1/2" INNER AXLE WASHER		10
08	0502010627	SPACER		46
09	0501047055	BEARING	23	20
10	0501058802	5/8 UNC X 2.3/4 BOLT ASSY		40
10A	0503015154	5/8" X 2.3/4" BOLT		01
10B	0501010947	5/8 NUT LOCK		01
10C	0501012140	FLAT WASHER		01
10D	0503010013	5/8" NUT		02
11	0602027341	DR20X3,5 C57AF02FR1.9/16 10R TATU		38
11.	0602027356	DR20X4,5 C57AF02FR1.9/16 10REC TATU		38
11..	0602029422	DR22X3,5 C64AF02FR1.9/16 10R TATU		38
11...	0602029416	DR22X4,5 C64AF02FR1.9/16 10REC TATU		38
11....	0602030429	NOTCHED DISC BLADE		38
12	0601025033	DL18X3,5 C45AF02FR1.9/16"		02
12.	0601025099	18" X 0.1" PLAIN DISC BLADE		02
12..	0601031134	DL24X4,5 C66AF02FR1.9/16 D006 TT		36
13	0601027302	DL20X3,5 C57AF02FR1.9/16 TATU		36
13.	0601027299	DL20X4,5 C57AF02FR1.9/16 TATU		36
13..	0601029419	DL22X3,5 C64AF02FR1.9/16 TATU		36
13...	0601029413	DL22X4,5 C64AF02FR1.9/16 TATU		36
14	0501018592	1.5/8" NUT LOCK		20



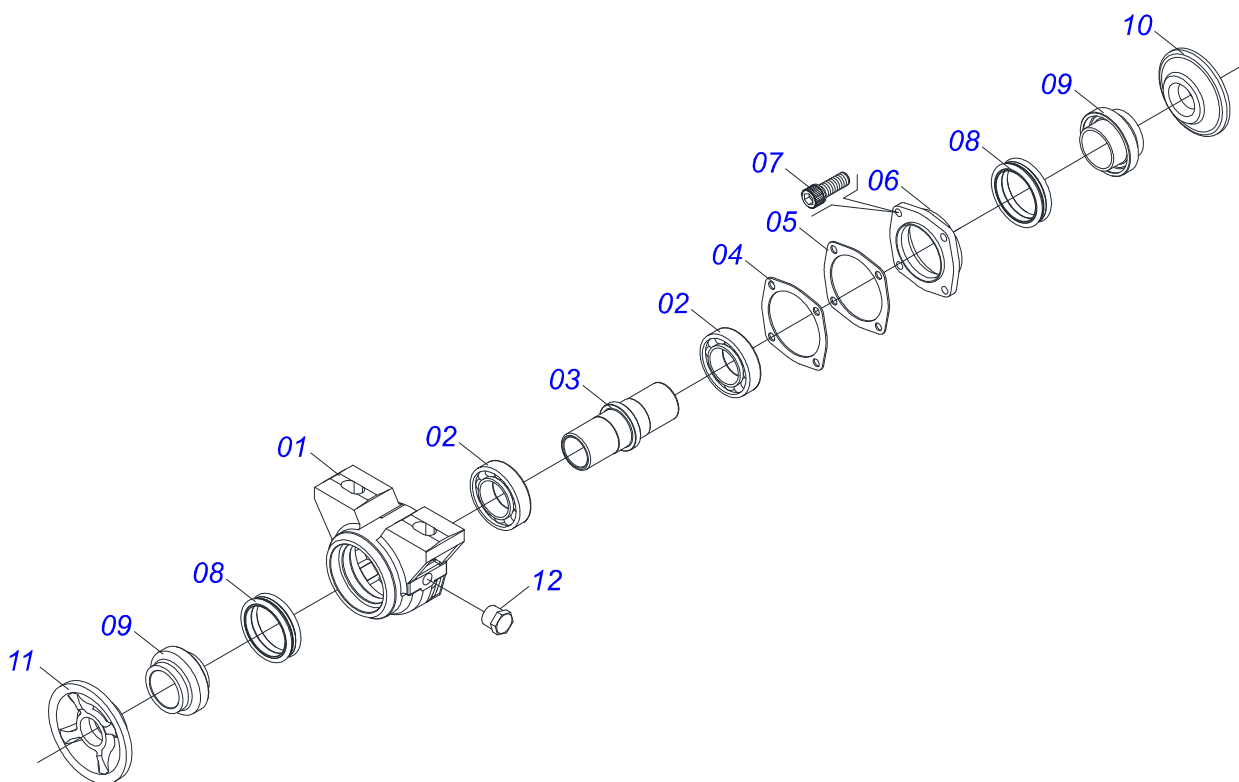
Item	Code	Description	See page	QT
01	0501043697	1.1/2" X 1505 AXLE ASSY		10
01A	0511012601	1.1/2" X 1505 AXLE		01
01B	0501010110	1.1/2" NUT		02
02	0501018592	1.5/8" NUT LOCK		20
03	0503011267	BOLT 5/8 UNC X 1.1/2 C S G.5 ZN		20
04	0501012140	FLAT WASHER		20
05	0503010013	5/8" NUT		20
06	0502010871	1-1/2" EXTERNAL AXLE WASHER		10
07	0502010872	1-1/2" INNER AXLE WASHER		10
08	0502010627	SPACER		50
09	0501047055	BEARING	23	20
10	0501058802	5/8 UNC X 2.3/4 BOLT ASSY		40
10A	0503015154	5/8" X 2.3/4" BOLT		01
10B	0501010947	5/8 NUT LOCK		01
10C	0501012140	FLAT WASHER		01
10D	0503010013	5/8" NUT		02
11	0602027341	DR20X3,5 C57AF02FR1.9/16 10R TATU		40
11.	0602027356	DR20X4,5 C57AF02FR1.9/16 10REC TATU		40
11..	0602029422	DR22X3,5 C64AF02FR1.9/16 10R TATU		40
11...	0602029416	DR22X4,5 C64AF02FR1.9/16 10REC TATU		40
11....	0602030429	NOTCHED DISC BLADE		40
12	0601025033	DL18X3,5 C45AF02FR1.9/16"		02
12.	0601025099	18" X 0.1" PLAIN DISC BLADE		02
13	0601027302	DL20X3,5 C57AF02FR1.9/16 TATU		38
13.	0601027299	DL20X4,5 C57AF02FR1.9/16 TATU		38
13..	0601029419	DL22X3,5 C64AF02FR1.9/16 TATU		38
13...	0601029413	DL22X4,5 C64AF02FR1.9/16 TATU		38
13....	0601031134	DL24X4,5 C66AF02FR1.9/16 D006 TT		38



Item	Code	Description	See page	QT
01	0501044105	1.1/2 X 1305 AXLE W/NUT		12
01A	0511011914	1.1/2 X 1305 AXLE		01
01B	0501010110	1.1/2" NUT		02
02	0501018592	1.5/8" NUT LOCK		24
03	0503011267	BOLT 5/8 UNC X 1.1/2 C S G.5 ZN		24
04	0501012140	FLAT WASHER		24
05	0503010013	5/8" NUT		24
06	0502010871	1-1/2" EXTERNAL AXLE WASHER		12
07	0502010872	1-1/2" INNER AXLE WASHER		12
08	0502010627	SPACER		48
09	0501047055	BEARING	23	24
10	0501058802	5/8 UNC X 2.3/4 BOLT ASSY		48
10A	0503015154	5/8" X 2.3/4" BOLT		01
10B	0501010947	5/8 NUT LOCK		01
10C	0501012140	FLAT WASHER		01
10D	0503010013	5/8" NUT		02
11	0602027341	DR20X3,5 C57AF02FR1.9/16 10R TATU		42
11.	0602027356	DR20X4,5 C57AF02FR1.9/16 10REC TATU		42
11..	0602029422	DR22X3,5 C64AF02FR1.9/16 10R TATU		42
11...	0602029416	DR22X4,5 C64AF02FR1.9/16 10REC TATU		42
11....	0602030429	NOTCHED DISC BLADE		42
12	0601025033	DL18X3,5 C45AF02FR1.9/16"		02
12.	0601025099	18" X 0.1" PLAIN DISC BLADE		02
13	0601027302	DL20X3,5 C57AF02FR1.9/16 TATU		40
13.	0601027299	DL20X4,5 C57AF02FR1.9/16 TATU		40
13..	0601029419	DL22X3,5 C64AF02FR1.9/16 TATU		40
13...	0601029413	DL22X4,5 C64AF02FR1.9/16 TATU		40
13....	0601031134	DL24X4,5 C66AF02FR1.9/16 D006 TT		40

BEARING

0501047055



Item	Code	Description	See page	QT
01	0502010540	HOUSING DM		01
02	0503010006	32210 ROLLER BEARING		02
03	0502040061	AXLE		01
04	0503030013	4.4" X 3.5" X 0.004" JOINT		03
05	0503030684	4.4" X 3.5" X 0.004" JOINT		02
06	0502020424	HOUSING CAP		01
07	0503010134	3/8" X 1" BOLT		04
08	0503030026	SEAL LP JB-253		02
09	0502010541	SEAL RETAINER		02
10	0502010604	OUTER FLANGE		01
11	0502010605	INNER FLANGE		01
12	0503010856	OIL PLUG		02







**MARCHESAN**

**Technical Publications | Elaboration and Revision**

ALESSANDRA PATRICIA KAWAHARA CARRILI

[www.marchesan.com.br](http://www.marchesan.com.br)

