

OFFSET DISK HARROW

**GASPCR-HD 9017 - AXIS 2.1/2" - HYDRAULIC -
12/14/16/18/20/22/24/26/28/30/32/34/36D**

Code: 0501092620
Series: S-0619
Revision: 00
Date Revision: FEVEREIRO/2022

PARTS CATALOGUE



MARCHESAN



PRODUCTS

Code	Description
0102090282	GASPCR HD 9017 12X36X12 DR DM HID S-0619
0102090283	GASPCR HD 9017 12X38X12 DR DM HID S-0619
0102090284	GASPCR HD 9017 12X40X12 DR DM HID S-0619
0102090285	GASPCR HD 9017 14X36X12 DR DM HID S-0619
0102090286	GASPCR HD 9017 14X38X12 DR DM HID S-0619
0102090287	GASPCR HD 9017 14X40X12 DR DM HID S-0619
0102090288	GASPCR-HD 9017 16X36X12,00 DM HID S-0619
0102090289	GASPCR-HD 9017 16X38X12,00 DM HID S-0619
0102090290	GASPCR-HD 9017 16X40X12,00 DM HID S-0619
0102090294	GASPCR-HD 9017 18X36X12,00 DM HID S-0619
0102090295	GASPCR-HD 9017 18X38X12,00 DM HID S-0619
0102090296	GASPCR-HD 9017 18X40X12,00 DM HID S-0619
0102090300	GASPCR-HD 9017 20X36X12,00 DM HID S-0619
0102090301	GASPCR-HD 9017 20X38X12,00 DM HID S-0619
0102090302	GASPCR-HD 9017 20X40X12,00 DM HID S-0619
0102090306	GASPCR-HD 9017 22X36X12,00 DM HID S-0619
0102090307	GASPCR-HD 9017 22X38X12,00 DM HID S-0619
0102090308	GASPCR-HD 9017 22X40X12,00 DM HID S-0619
0102090309	GASPCR-HD 9017 24X36X12,00 DM HID S-0619
0102090310	GASPCR-HD 9017 24X38X12,00 DM HID S-0619
0102090311	GASPCR-HD 9017 24X40X12,00 DM HID S-0619
0102090312	GASPCR-HD 9017 26X36X12,00 DM HID S-0619
0102090313	GASPCR-HD 9017 26X38X12,00 DM HID S-0619
0102090314	GASPCR-HD 9017 26X40X12,00 DM HID S-0619
0102090315	GASPCR-HD 9017 28X36X12,00 DM HID S-0619
0102090316	GASPCR-HD 9017 28X38X12,00 DM HID S-0619
0102090317	GASPCR-HD 9017 28X40X12,00 DM HID S-0619
0102090318	GASPCR-HD 9017 30X36X12,00 DM HID S-0619
0102090319	GASPCR-HD 9017 30X38X12,00 DM HID S-0619
0102090320	GASPCR-HD 9017 30X40X12,00 DM HID S-0619

ATTENTION: IMPORTANT

Marchesan S.A. reserves the right to improve and/or modify the technical features of its products, without obligation to do the same with those products already sold and without prior knowledge of the dealer or the consumer. The photos are only illustrative.



PRODUCTS

0102090321	GASPCR-HD 9017 32X36X12,00 DM HID S-0619
0102090322	GASPCR-HD 9017 32X38X12,00 DM HID S-0619
0102090323	GASPCR-HD 9017 32X40X12,00 DM HID S-0619
0102090324	GASPCR-HD 9017 34X36X12,00 DM HID S-0619
0102090325	GASPCR-HD 9017 34X38X12,00 DM HID S-0619
0102090326	GASPCR-HD 9017 34X40X12,00 DM HID S-0619
0102090327	GASPCR-HD 9017 36X36X12,00 DM HID S-0619
0102090328	GASPCR-HD 9017 36X38X12,00 DM HID S-0619
0102090329	GASPCR-HD 9017 36X40X12,00 DM HID S-0619

ATTENTION: IMPORTANT

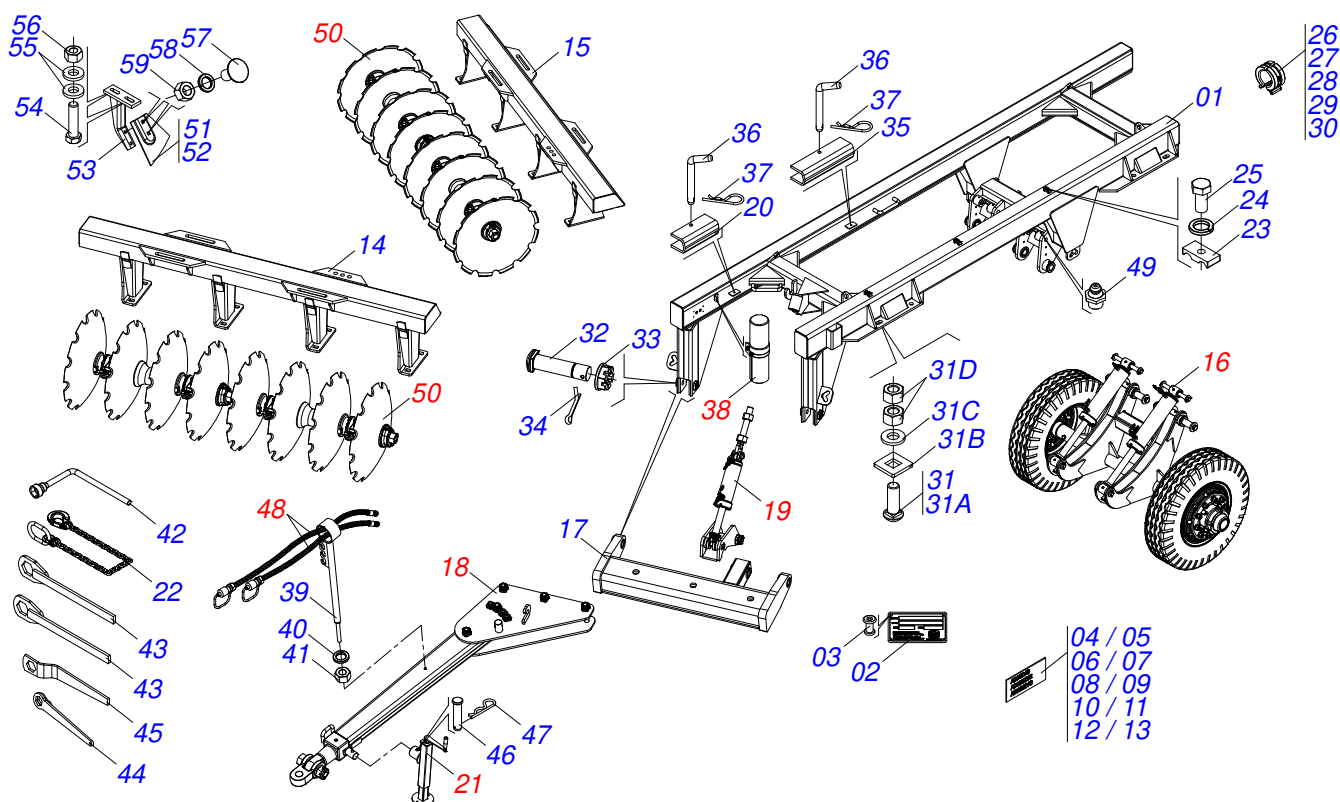
Marchesan S.A. reserves the right to improve and/or modify the technical features of its products, without obligation to do the same with those products already sold and without prior knowledge of the dealer or the consumer. The photos are only illustrative.



MARCHESAN

INDEX

0909098624	FRAME ASSY - 12/14/16D	1
0909098625	FRAME ASSY - 18/20/22D	2
0909098626	FRAME ASSY - 24/26/28/30D	3
0909098627	FRAME ASSY - 32/34/36D	4
0909098615	ASSY WHEEL - 12/14/16D	5
0909098603	ASSY WHEEL	6
0909094862	ASSY WHEEL	7
0501057120	WHEEL WITHOUT TIRE	8
0503061582	TIRE WHEELS	9
0521051832	HYDRAULIC CYLINDER 53,98 X 114,30 X 654 X 346	10
0511045200	ASSY TRACTION BAR WITH HITCH 3	11
0521041823	ASSY TRACTION BAR (PIN 3)	12
0521047758	ASSY TRACTION BAR (AXIS 2)	13
0909094855	HEAD ARTICULATED ASSY	14
0511058419	HYDRAULIC CYLINDER 50,80 X 101,60 X 514 X 206	15
0909094136	HEAD ARTICULATED ASSY	16
0511058521	50,80 X 101,60 X 527 X 165 HYDRAULIC CYLINDER	17
0909098619	HEAD ARTICULATED ASSY	18
0511048088	DRAWBAR JACK	19
0511059196	VALVE ASSY	20
0521052191	RELIEF VALVE	21
0521052190	MANUAL CANISTER ASSY	22
0909098616	12/14/16D - HYDRAULIC CIRCUIT	23
0909098618	18/20/22D - HYDRAULIC CIRCUIT	24
0909098620	24/26/28/30D - HYDRAULIC CIRCUIT	25
0909098622	32/34/36D - HYDRAULIC CIRCUIT	26
0501053834	MALE QUICK COUPLER WITH CAP - 1/2 NPT	27
0909098617	SECTION DISC - 12/14/16D	28
0909098607	SECTION DISC - 18D	29
0909098608	SECTION DISC - 20D	30
0909098609	SECTION DISC - 22D	31
0909098621	SECTION DISC - 24/26/28/30D	32
0909098623	SECTION DISC - 32/34/36D	33
0521041291	OIL 430 X 2.1/2 BEARING ASSY	34

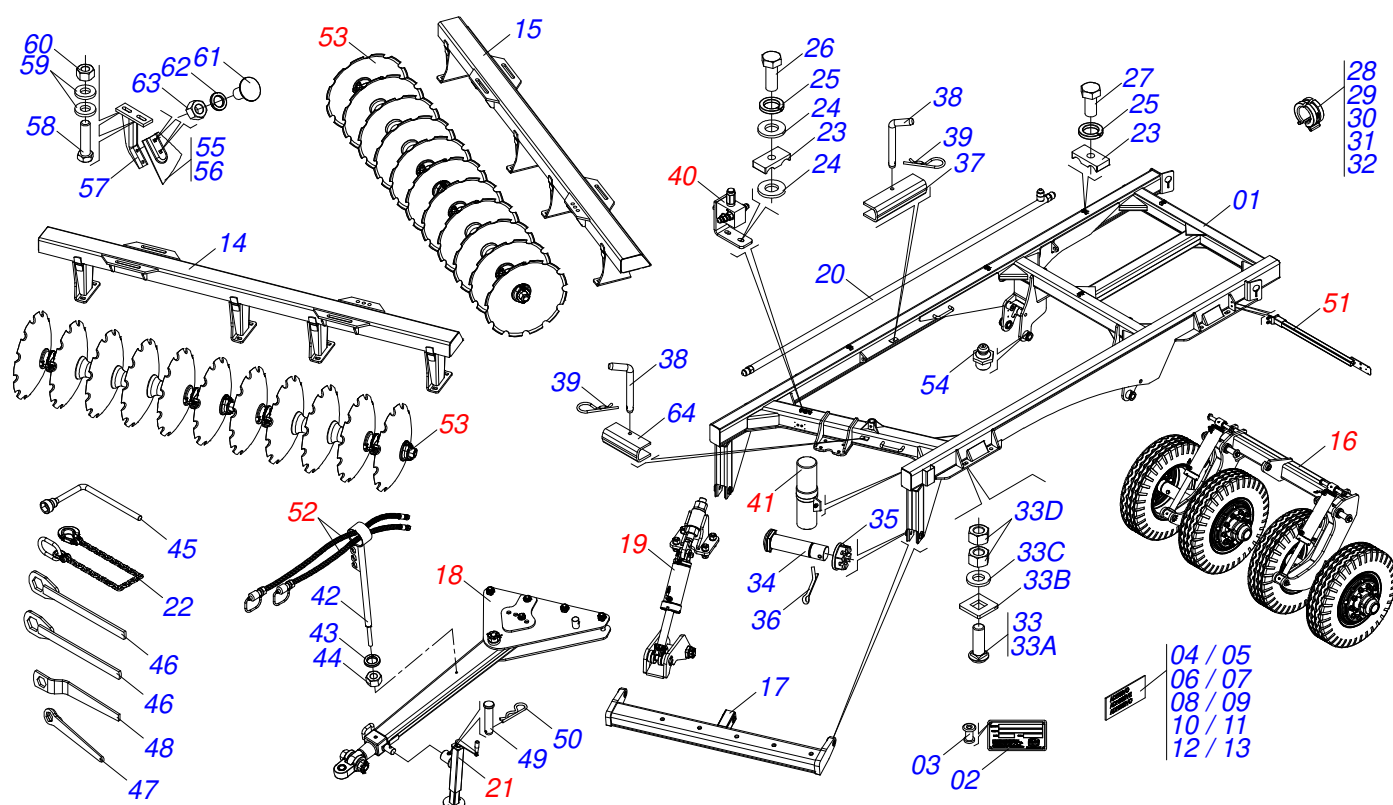


Item	Code	Description	See page	12	14	16
01	0511067822	FRAME GASPCR-HD 9017/EHD 10020		01	01	01
02	0503034003	SERIAL NUMBER TAG 61 X 118		01	01	01
03	0503010001	3.2 X 5.5 RIVET		04	04	04
04	0503034078	LIFTING POINTS DECAL		04	04	04
05	0503031738	ADHESIVE LABEL		03	03	03
06	0503031739	ADHESIVE LABEL		01	01	01
07	0503034499	HOSE IDENTIFICATION DECAL		01	01	01
08	0503031428	READ MANUAL DECAL		01	01	01
09	0503031827	LUBRICATE AND RETIGHTEN DAILY DECAL		01	01	01
10	0503031087	ADHESIVE LABEL		01	01	01
11	0503033038	DANGER SIGN		01	01	01
12	0503034976	ADHESIVE LABEL		02	02	02
13	0503033428	ADHESIVE LABEL		02	02	02
14	0521062619	FRONT FRAME - 12D		01	00	00
14.	0521062597	FRONT FRAME - 14D		00	01	00
14..	0521062620	FRONT FRAME - 16D		00	00	01
15	0521062621	REAR FRAME - 12D		01	00	00
15.	0521062598	REAR FRAME - 14D		00	01	00
15..	0521062622	REAR FRAME - 16D		00	00	01
16	0909098615	ASSY WHEEL - 12/14/16D	5	01	01	01
17	0511067827	1100 OFFSET BAR		01	01	01
18	0511045200	ASSY TRACTION BAR WITH HITCH 3	11	01	01	01
19	0909094855	HEAD ARTICULATED ASSY	14	01	01	01
20	0551010332	TRANSPORT LOCK		01	01	01
21	0511048088	DRAWBAR JACK	19	01	01	01
22	0503013150	1300 X 3/8 CHAIN		01	01	01
23	0502010477	HOSE CLAMP		04	04	04
24	0503010180	7/16" SPRING WASHER		04	04	04
25	0503011135	BOLT		04	04	04
26	0501047895	ROD STOP		06	06	06
27	0501047885	ROD STOP		03	03	03



**GASPCR-HD 9017 - AXIS 2.1/2" - HYDRAULIC -
FRAME ASSY - 12/14/16D**

Item	Code	Description	See page	12	14	16
28	0501047886	ROD STOP		03	03	03
29	0501047887	ROD STOP		03	03	03
30	0501047888	ROD STOP		03	03	03
31	0521040349	1-1/4" X 5.3/4" BOLT		08	08	08
31A	0501010954	1-1/4" X 5-3/4" BOLT		01	01	01
31B	0571010449	LOCK BOLT		01	01	01
31C	0571010448	SLEEVE 32,50 X 75 X 16		01	01	01
31D	0501010087	1.1/4" NUT		02	02	02
32	0541014119	37.5 X 195 COUPLING SHAFT		02	02	02
33	0501011301	1.1/2 UNC 6FPP 2.5/16 NUT		02	02	02
34	0503010010	1/4" X 2.1/2" COTTERPIN		02	02	02
35	0561016693	TRANSPORT LOCK		02	02	02
36	0541016844	FIXER LOCK		03	03	03
37	0503030285	HAIR PIN		03	03	03
38	0521052190	MANUAL CANISTER ASSY	22	01	01	01
39	0521062849	HOSE HOLDER ASSY		01	01	01
40	0503010023	3/4" SPRING WASHER		01	01	01
41	0503010014	3/4" NUT		01	01	01
42	0503016137	1-1/4" WRENCH CABLE CYLINDER		01	01	01
43	0501061044	2-1/8" AND 2-1/2" CABLE FLAT WRENCH		02	02	02
44	0521062858	1.1/4" WRENCH NUT		01	01	01
45	0501011432	1-1/2" AND 1-5/8 GANG BOLT WRENCH		01	01	01
46	0561014251	COUPLING SHAFT		01	01	01
47	0503030012	HAIR PIN		01	01	01
48	0909098616	12/14/16D - HYDRAULIC CIRCUIT	23	01	01	01
49	0503010002	1800 GREASE FITTING		08	08	08
50	0909098607	SECTION DISC - 18D	29	01	00	00
50.	0909098608	SECTION DISC - 20D	30	00	01	00
50..	0909098609	SECTION DISC - 22D	31	00	00	01
51	0521013678	FRONT CLEANER		06	07	08
52	0521013679	REAR CLEANER		06	07	08
53	0511064771	FRONT SCRAPER SUPPORT		12	14	16
54	0501010500	3/4"X3"BOLT		24	28	32
55	0541010763	FLAT WASHER		48	56	64
56	0503010014	3/4" NUT		27	31	35
57	0503012195	5/8" NUT		24	28	32
58	0503010027	5/8" SPRING WASHER		24	28	32
59	0503010013	5/8" NUT		24	28	32

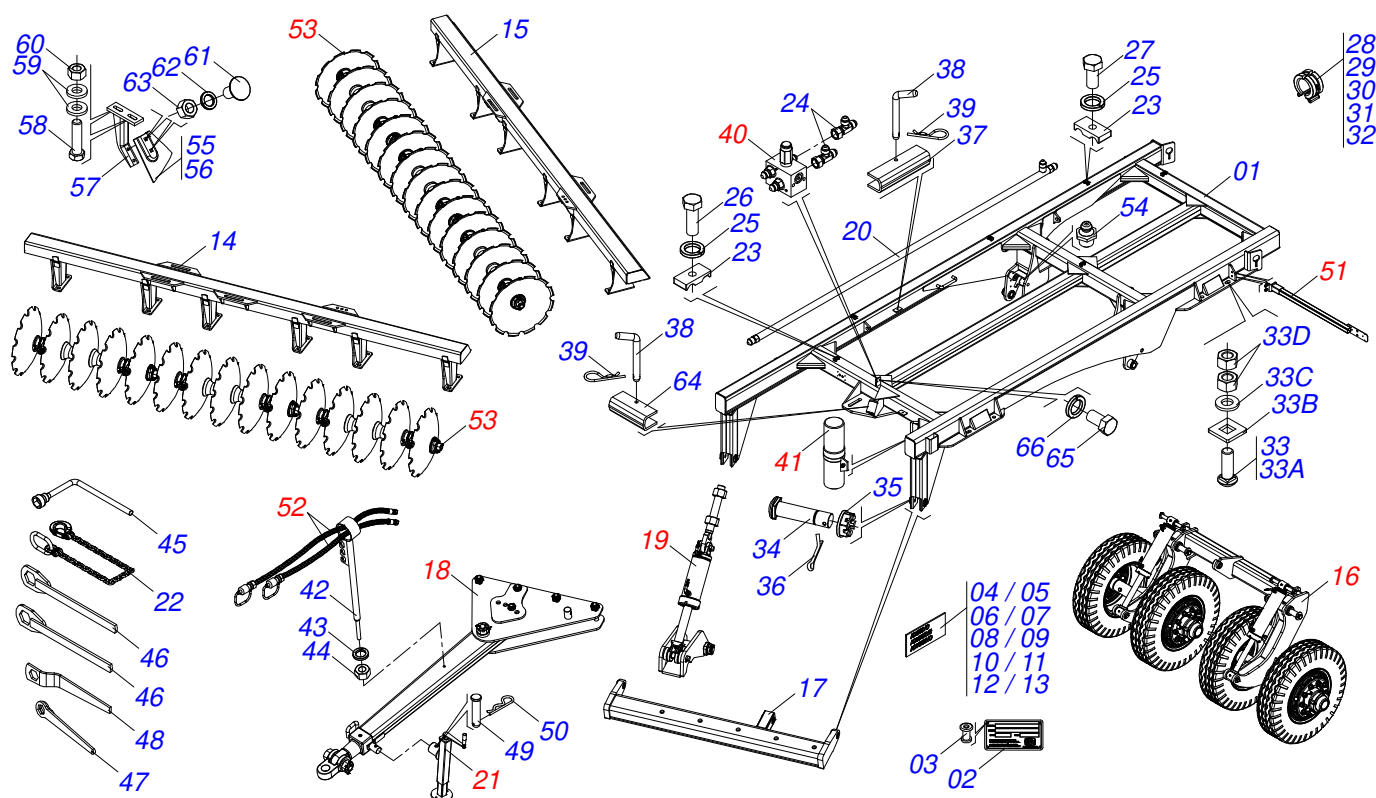


Item	Code	Description	See page	18	20	22
01	0521066702	FRAME		01	01	01
02	0503034003	SERIAL NUMBER TAG 61 X 118		01	01	01
03	0503010001	3.2 X 5.5 RIVET		04	04	04
04	0503034078	LIFTING POINTS DECAL		04	04	04
05	0503031738	ADHESIVE LABEL		03	03	03
06	0503031739	ADHESIVE LABEL		01	01	01
07	0503034499	HOSE IDENTIFICATION DECAL		01	01	01
08	0503031428	READ MANUAL DECAL		01	01	01
09	0503031827	LUBRICATE AND RETIGHTEN DAILY DECAL		01	01	01
10	0503031087	ADHESIVE LABEL		01	01	01
11	0503033038	DANGER SIGN		01	01	01
12	0503034976	ADHESIVE LABEL		02	02	02
13	0503033428	ADHESIVE LABEL		02	02	02
14	0521062611	FRONT FRAME 18D		01	00	00
14.	0511067420	FRONT FRAME 20D		00	01	00
14..	0521062613	FRONT FRAME 22D		00	00	01
15	0521062614	REAR FRAME 18D		01	00	00
15.	0511067421	REAR FRAME 20D		00	01	00
15..	0521062615	REAR FRAME 22D		00	00	01
16	0909098603	ASSY WHEEL	6	01	01	01
17	0521066699	OFFSET BAR		01	01	01
18	0511041592	DRAWBAR ASSY		01	01	01
19	0909094136	HEAD ARTICULATED ASSY	16	01	01	01
20	0521066937	DUCT DISTRIBUTOR OF OIL		02	02	02
21	0511048088	DRAWBAR JACK	19	01	01	01
22	0503013150	1300 X 3/8 CHAIN		01	01	01
23	0502010477	HOSE CLAMP		05	05	05
24	0501012803	FLAT WASHER		04	04	04
25	0503010180	7/16" SPRING WASHER		04	04	04
26	0503011173	7/16" X 2" BOLT		02	02	02
27	0503011135	BOLT		03	03	03



**GASPCR-HD 9017 - AXIS 2.1/2" - HYDRAULIC -
FRAME ASSY - 18/20/22D**

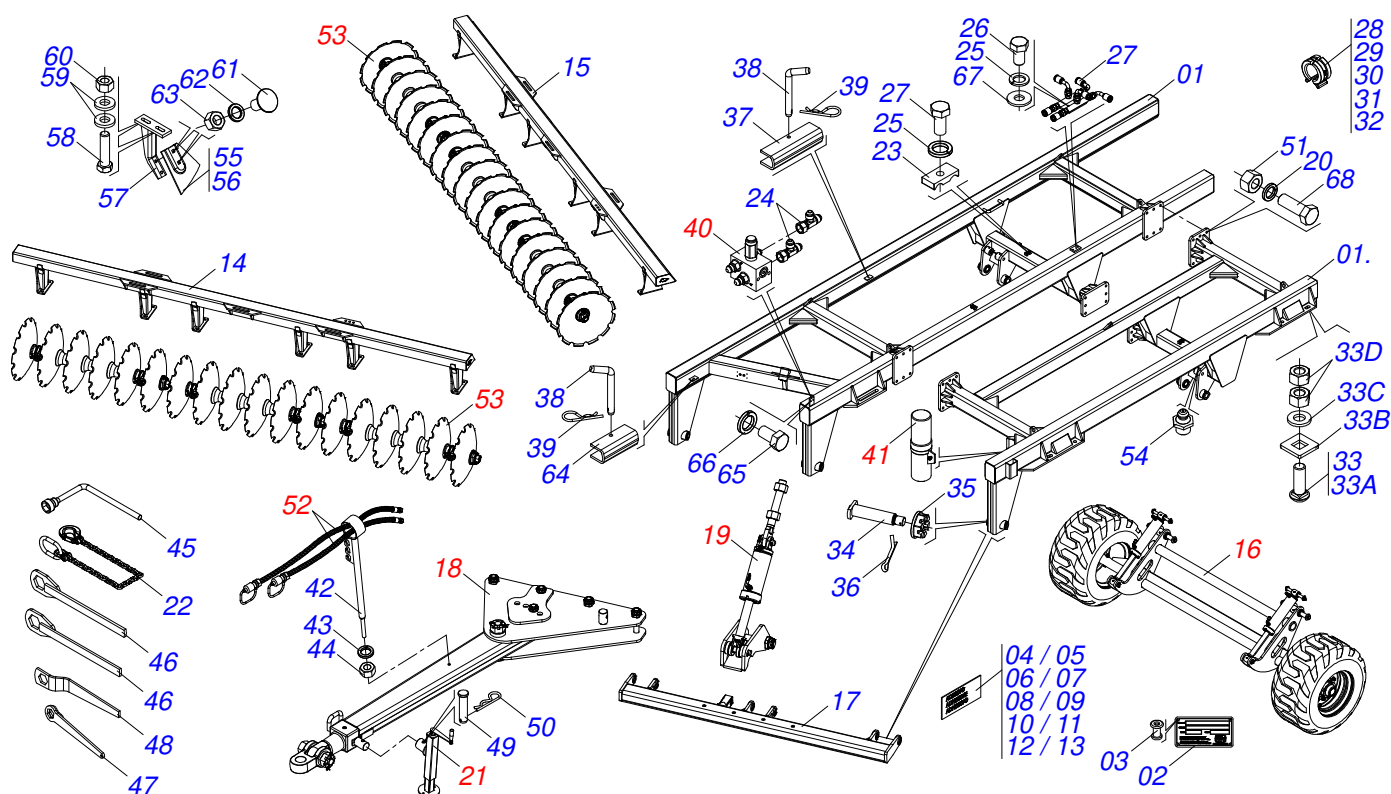
Item	Code	Description	See page	18	20	22
28	0501047895	ROD STOP		04	04	04
29	0501047885	ROD STOP		02	02	02
30	0501047886	ROD STOP		02	02	02
31	0501047887	ROD STOP		02	02	02
32	0501047888	ROD STOP		02	02	02
33	0521040349	1-1/4" X 5.3/4" BOLT		08	08	08
33A	0501010954	1-1/4" X 5-3/4" BOLT		01	01	01
33B	0571010449	LOCK BOLT		01	01	01
33C	0571010448	SLEEVE 32,50 X 75 X 16		01	01	01
33D	0501010087	1.1/4" NUT		02	02	02
34	0541014119	37.5 X 195 COUPLING SHAFT		02	02	02
35	0501011301	1.1/2 UNC 6FPP 2.5/16 NUT		02	02	02
36	0503010010	1/4" X 2.1/2" COTTERPIN		02	02	02
37	0561016693	TRANSPORT LOCK		02	02	02
38	0541016844	FIXER LOCK		03	03	03
39	0503030285	HAIR PIN		03	03	03
40	0511059196	VALVE ASSY	20	01	01	01
41	0521052190	MANUAL CANISTER ASSY	22	01	01	01
42	0521062849	HOSE HOLDER ASSY		01	01	01
43	0503010023	3/4" SPRING WASHER		01	01	01
44	0503010014	3/4" NUT		01	01	01
45	0503016137	1-1/4" WRENCH CABLE CYLINDER		01	01	01
46	0501061044	2-1/8" AND 2-1/2" CABLE FLAT WRENCH		02	02	02
47	0521062858	1.1/4" WRENCH NUT		01	01	01
48	0501011432	1-1/2" AND 1-5/8 GANG BOLT WRENCH		01	01	01
49	0561014251	COUPLING SHAFT		01	01	01
50	0503030012	HAIR PIN		01	01	01
51	0909093685	LANTERN FIXING ASSY		01	01	01
52	0909098605	HYDRAULIC CIRCUIT		01	01	01
53	0909098607	SECTION DISC - 18D	29	01	00	00
53.	0909098608	SECTION DISC - 20D	30	00	01	00
53..	0909098609	SECTION DISC - 22D	31	00	00	01
54	0503010002	1800 GREASE FITTING		10	10	10
55	0521013678	FRONT CLEANER		09	10	11
56	0521013679	REAR CLEANER		09	10	11
57	0511064771	FRONT SCRAPER SUPPORT		18	20	22
58	0501010500	3/4"X3"BOLT		36	40	44
59	0541010763	FLAT WASHER		72	80	88
60	0503010014	3/4" NUT		41	45	49
61	0503012195	5/8" NUT		36	40	44
62	0503010027	5/8" SPRING WASHER		36	40	44
63	0503010013	5/8" NUT		36	40	44
64	0551019515	LATCH SHIPPING		01	01	01



Item	Code	Description	See page	024	026	028	030
01	0521068656	FRAME		001	001	001	001
02	0503034003	SERIAL NUMBER TAG 61 X 118		001	001	001	001
03	0503010001	3.2 X 5.5 RIVET		004	004	004	004
04	0503034078	LIFTING POINTS DECAL		004	004	004	004
05	0503031738	ADHESIVE LABEL		003	003	003	003
06	0503031739	ADHESIVE LABEL		001	001	001	001
07	0503034499	HOSE IDENTIFICATION DECAL		001	001	001	001
08	0503031428	READ MANUAL DECAL		001	001	001	001
09	0503031827	LUBRICATE AND RETIGHTEN DAILY DECAL		001	001	001	001
10	0503031087	ADHESIVE LABEL		001	001	001	001
11	0503033038	DANGER SIGN		001	001	001	001
12	0503034976	ADHESIVE LABEL		002	002	002	002
13	0503033428	ADHESIVE LABEL		002	002	002	002
14	0521065292	FRONT FRAME - 24D		001	000	000	000
14.	0521065296	FRONT FRAME - 26D		000	001	000	000
14..	0521065298	FRONT FRAME - 28D		000	000	001	000
14...	0521065302	FRONT FRAME - 30D		000	000	000	001
15	0521065290	REAR FRAME - 24D		001	000	000	000
15.	0521065294	REAR FRAME - 26D		000	001	000	000
15..	0521065300	REAR FRAME - 28D		000	000	001	000
15...	0521065304	REAR FRAME - 30D		000	000	000	001
16	0909098603	ASSY WHEEL	6	001	001	001	001
17	0511066580	2135 OFFSET BAR		001	001	001	001
18	0521041823	ASSY TRACTION BAR (PIN 3)	12	001	001	001	001
19	0909098619	HEAD ARTICULATED ASSY	18	001	001	001	001
20	0521066937	DUCT DISTRIBUTOR OF OIL		002	002	002	002
21	0511048088	DRAWBAR JACK	19	001	001	001	001
22	0503013150	1300 X 3/8 CHAIN		001	001	001	001
23	0502010477	HOSE CLAMP		005	005	005	005
24	0503011968	3/4" 8R6X-S T ADAPTER WITH SWIVEL NUT		002	002	002	002
25	0503010180	7/16" SPRING WASHER		004	004	004	004



Item	Code	Description	See page	024	026	028	030
26	0503011103	7/16" X 2-1/2" BOLT		001	001	001	001
27	0503011135	BOLT		003	003	003	003
28	0501047895	ROD STOP		006	006	006	006
29	0501047885	ROD STOP		003	003	003	003
30	0501047886	ROD STOP		003	003	003	003
31	0501047887	ROD STOP		003	003	003	003
32	0501047888	ROD STOP		003	003	003	003
33	0521040349	1-1/4" X 5.3/4" BOLT		009	009	009	009
33A	0501010954	1-1/4" X 5-3/4" BOLT		001	001	001	001
33B	0571010449	LOCK BOLT		001	001	001	001
33C	0571010448	SLEEVE 32,50 X 75 X 16		001	001	001	001
33D	0501010087	1.1/4" NUT		002	002	002	002
34	0541014119	37.5 X 195 COUPLING SHAFT		002	002	002	002
35	0501011301	1.1/2 UNC 6FPP 2.5/16 NUT		002	002	002	002
36	0503010010	1/4" X 2.1/2" COTTERPIN		002	002	002	002
37	0561016693	TRANSPORT LOCK		002	002	002	002
38	0541016844	FIXER LOCK		003	003	003	003
39	0503030285	HAIR PIN		003	003	003	003
40	0521052191	RELIEF VALVE	21	001	001	001	001
41	0521052190	MANUAL CANISTER ASSY	22	001	001	001	001
42	0521062849	HOSE HOLDER ASSY		001	001	001	001
43	0503010023	3/4" SPRING WASHER		001	001	001	001
44	0503010014	3/4" NUT		001	001	001	001
45	0503016137	1-1/4" WRENCH CABLE CYLINDER		001	001	001	001
46	0501061044	2-1/8" AND 2-1/2" CABLE FLAT WRENCH		002	002	002	002
47	0521062858	1.1/4" WRENCH NUT		001	001	001	001
48	0501011432	1-1/2" AND 1-5/8 GANG BOLT WRENCH		001	001	001	001
49	0561014251	COUPLING SHAFT		001	001	001	001
50	0503030012	HAIR PIN		001	001	001	001
51	0909093685	LANTERN FIXING ASSY		001	001	001	001
52	0909098620	24/26/28/30D - HYDRAULIC CIRCUIT	25	001	001	001	001
53	0909098621	SECTION DISC - 24/26/28/30D	32	001	001	001	001
54	0503010002	1800 GREASE FITTING		010	010	010	010
55	0521013678	FRONT CLEANER		012	013	014	015
56	0521013679	REAR CLEANER		012	013	014	015
57	0511064771	FRONT SCRAPER SUPPORT		024	026	028	030
58	0501010500	3/4"X3"BOLT		048	052	056	060
59	0541010763	FLAT WASHER		096	104	112	120
60	0503010014	3/4" NUT		053	057	061	065
61	0503012195	5/8" NUT		048	052	056	060
62	0503010027	5/8" SPRING WASHER		048	052	056	060
63	0503010013	5/8" NUT		048	052	056	060
64	0551019515	LATCH SHIPPING		001	001	001	001
65	0503010232	5/8" X 1.3/4" BOLT		002	002	002	002
66	0503010025	3/8" SPRING WASHER		002	002	002	002

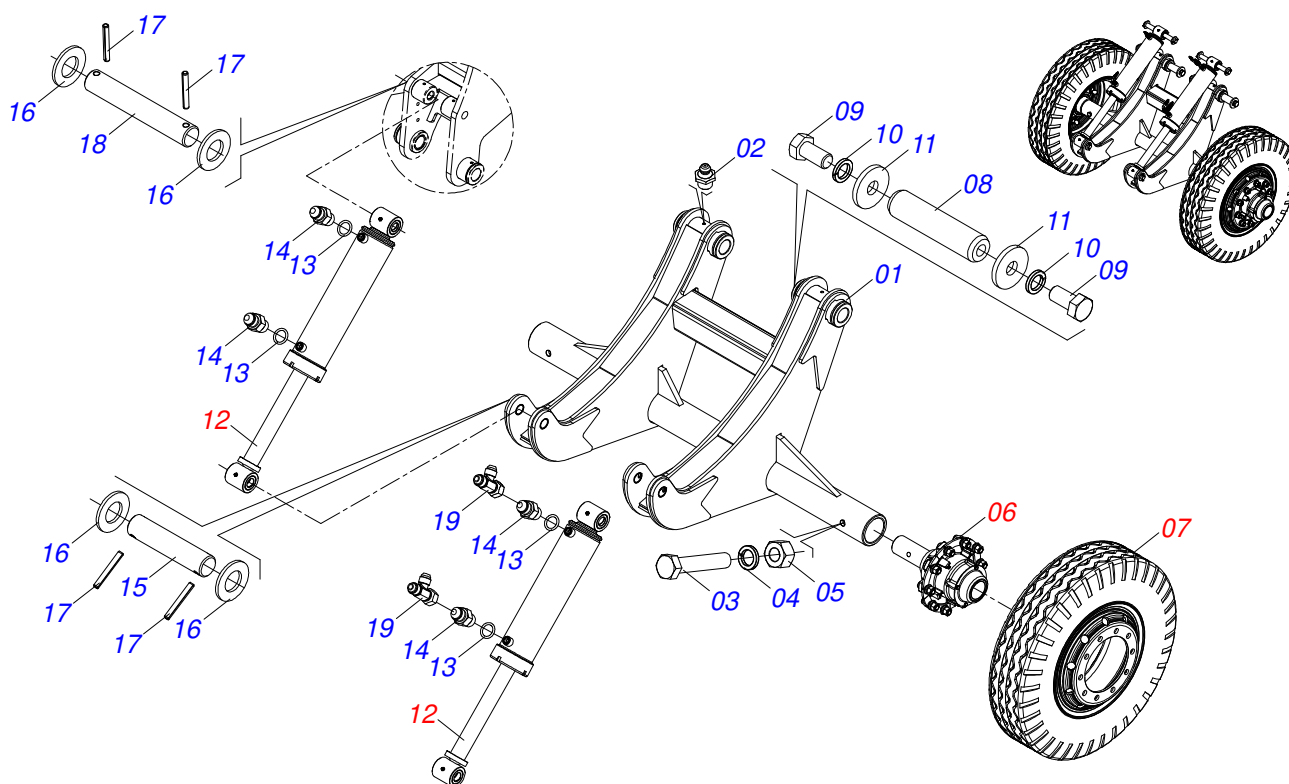


Item	Code	Description	See page	032	034	036
01	0521065285	FRAME GASPCR-HD 9017 32-36		001	001	001
01.	0521065287	LEFT FRAME		001	001	001
02	0503034003	SERIAL NUMBER TAG 61 X 118		001	001	001
03	0503010001	3.2 X 5.5 RIVET		004	004	004
04	0503034078	LIFTING POINTS DECAL		007	007	007
05	0503031738	ADHESIVE LABEL		003	003	003
06	0503031739	ADHESIVE LABEL		001	001	001
07	0503034499	HOSE IDENTIFICATION DECAL		001	001	001
08	0503031428	READ MANUAL DECAL		001	001	001
09	0503031827	LUBRICATE AND RETIGHTEN DAILY DECAL		001	001	001
10	0503031087	ADHESIVE LABEL		001	001	001
11	0503033428	ADHESIVE LABEL		002	002	002
12	0503034976	ADHESIVE LABEL		002	002	002
13	0503033038	DANGER SIGN		001	001	001
14	0521065306	FRONT FRAME GASPCR-HD 9017 32		001	000	000
14.	0521065310	FRONT FRAME GASPCR-HD 9017 34		000	001	000
14..	0521065314	FRONT FRAME GASPCR-HD 9017 36D		000	000	001
15	0521065308	REAR FRAME GASPCR-HD 9017 32		001	000	000
15.	0521065312	REAR FRAME GASPCR-HD 9017 34		000	001	000
15..	0521065316	REAR FRAME		000	000	001
16	0909094862	ASSY WHEEL	7	001	001	001
17	0521065288	OFFSET BAR		001	001	001
18	0521047758	ASSY TRACTION BAR (AXIS 2)	13	001	001	001
19	0909094855	HEAD ARTICULATED ASSY	14	001	001	001
20	0503010012	1" SPRING WASHER		018	018	018
21	0511048088	DRAWBAR JACK	19	001	001	001
22	0503013150	1300 X 3/8 CHAIN		001	001	001
23	0502010477	HOSE CLAMP		004	004	004
24	0503011968	3/4" 8R6X-S T ADAPTER WITH SWIVEL NUT		002	002	002
25	0503010180	7/16" SPRING WASHER		006	006	006
26	0503011338	7/16" X 1" BOLT		002	002	002

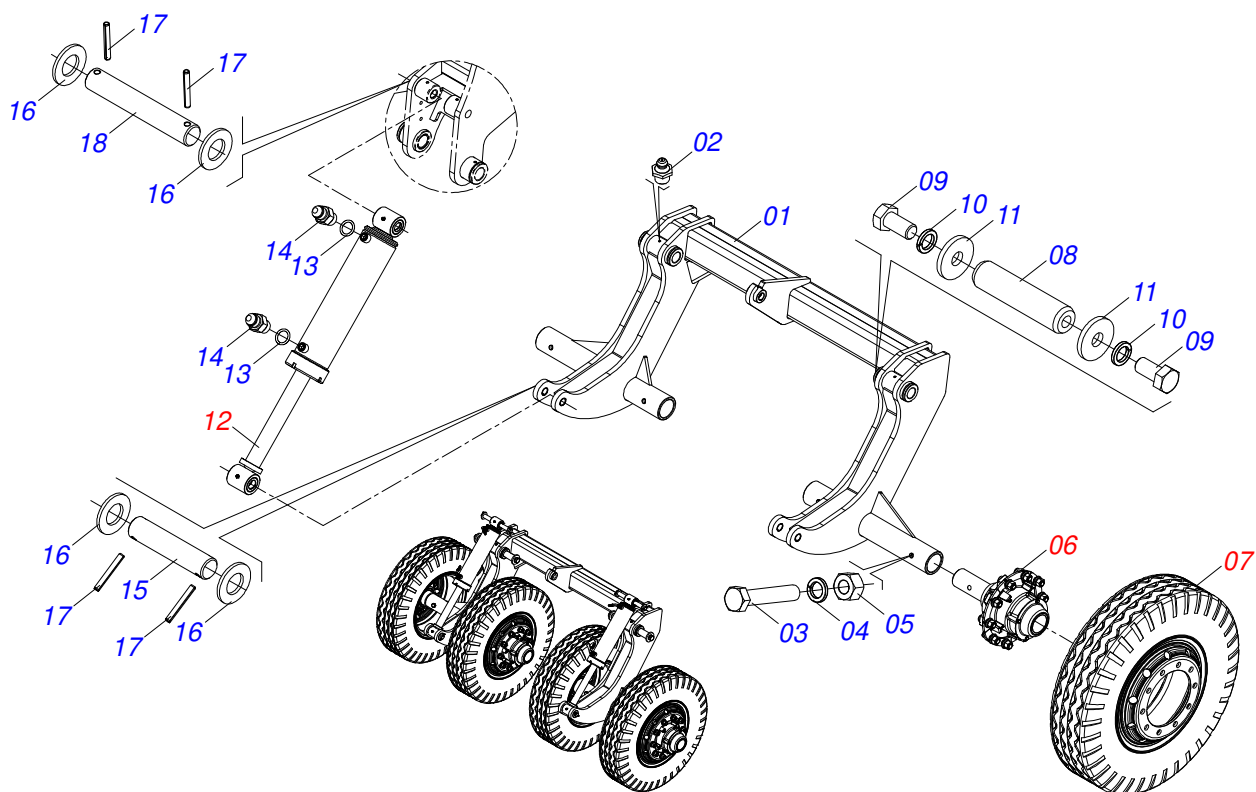


**GASPCR-HD 9017 - AXIS 2.1/2" - HYDRAULIC -
FRAME ASSY - 32/34/36D**

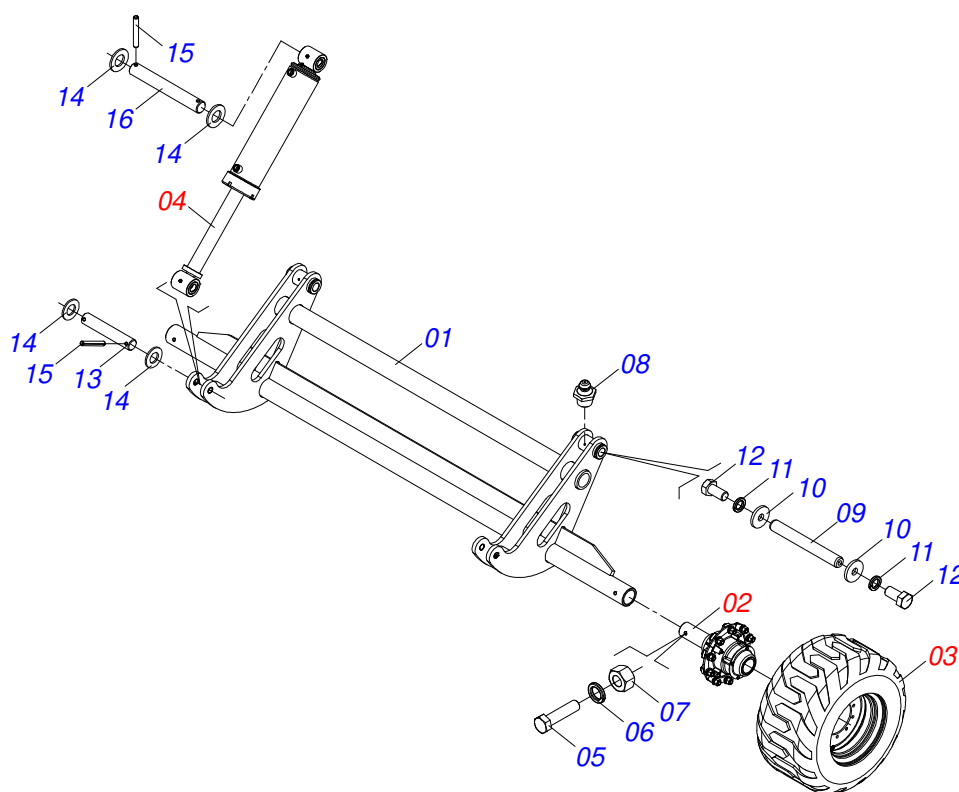
Item	Code	Description	See page	032	034	036
27	0503011135	BOLT		004	004	004
28	0501047895	ROD STOP		006	006	006
29	0501047885	ROD STOP		003	003	003
30	0501047886	ROD STOP		003	003	003
31	0501047887	ROD STOP		003	003	003
32	0501047888	ROD STOP		003	003	003
33	0521040349	1-1/4" X 5.3/4" BOLT		010	010	010
33A	0501010954	1-1/4" X 5-3/4" BOLT		001	001	001
33B	0571010449	LOCK BOLT		001	001	001
33C	0571010448	SLEEVE 32,50 X 75 X 16		001	001	001
33D	0501010087	1.1/4" NUT		002	002	002
34	0521063989	50,8 X 380 AXLE WITH LOCK		003	003	003
35	0501011301	1.1/2 UNC 6FPP 2.5/16 NUT		003	003	003
36	0503010010	1/4" X 2.1/2" COTTERPIN		003	003	003
37	0561016693	TRANSPORT LOCK		002	002	002
38	0541016844	FIXER LOCK		003	003	003
39	0503030285	HAIR PIN		003	003	003
40	0521052191	RELIEF VALVE	21	001	001	001
41	0521052190	MANUAL CANISTER ASSY	22	001	001	001
42	0521062849	HOSE HOLDER ASSY		001	001	001
43	0503010023	3/4" SPRING WASHER		001	001	001
44	0503010014	3/4" NUT		001	001	001
45	0503016137	1-1/4" WRENCH CABLE CYLINDER		001	001	001
46	0501061044	2-1/8" AND 2-1/2" CABLE FLAT WRENCH		002	002	002
47	0521062858	1.1/4" WRENCH NUT		001	001	001
48	0501011432	1-1/2" AND 1-5/8 GANG BOLT WRENCH		001	001	001
49	0561014251	COUPLING SHAFT		001	001	001
50	0503030012	HAIR PIN		001	001	001
51	0501010059	1.5/8 NUT		018	018	018
52	0909098622	32/34/36D - HYDRAULIC CIRCUIT	26	001	001	001
53	0909098621	SECTION DISC - 24/26/28/30D	32	001	001	001
54	0503010002	1800 GREASE FITTING		011	011	011
55	0521013678	FRONT CLEANER		016	017	018
56	0521013679	REAR CLEANER		016	017	018
57	0511064771	FRONT SCRAPER SUPPORT		032	034	036
58	0501010500	3/4"X3"BOLT		064	068	072
59	0541010763	FLAT WASHER		128	136	144
60	0503010014	3/4" NUT		067	071	075
61	0503012195	5/8" NUT		064	068	072
62	0503010027	5/8" SPRING WASHER		064	068	072
63	0503010013	5/8" NUT		064	068	072
64	0551019515	LATCH SHIPPING		001	001	001
65	0503010232	5/8" X 1.3/4" BOLT		002	002	002
66	0503010025	3/8" SPRING WASHER		002	002	002
67	0501012803	FLAT WASHER		002	002	002
68	0501010171	BOLT 1 UNC X 3.1/2 C S G.5		018	018	018



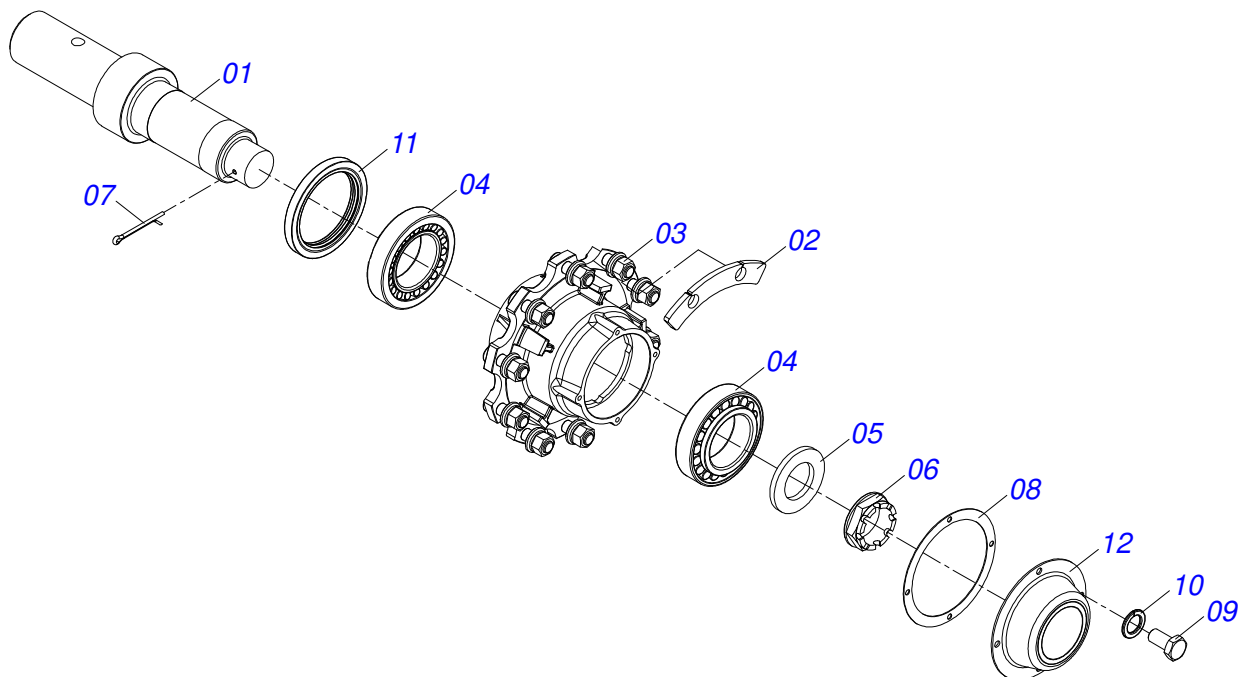
Item	Code	Description	See page	QT
01	0521068368	CARRYING-WHEELS SUPPORT		01
02	0503010002	1800 GREASE FITTING		02
03	0503011198	C3/4" X 6" SCREW		02
04	0503010023	3/4" SPRING WASHER		02
05	0503010014	3/4" NUT		02
06	0501057120	WHEEL WITHOUT TIRE	8	02
07	0503061582	TIRE WHEELS	9	02
08	0531018062	COUPLING SHAFT		02
09	0503011250	1" X 2" BOLT		04
10	0503010012	1" SPRING WASHER		04
11	0521011565	FLAT WASHER		04
12	0521051832	HYDRAULIC CYLINDER 53,98 X 114,30 X 654 X 346	10	02
13	0503010190	2-114 N 3006-9B O'RING		04
14	0501010617	3/4" NIPPLE		04
15	0531018101	1.2" X 6.3" PIVOT SHAFT		02
16	0501017779	32 X 60 X 4.75 FLAT WASHER		08
17	0503011877	0.3" X 2.4" SPRING PIN		08
18	0531018105	1.2" X 11.8" PIVOT SHAFT		02
19	0503011968	3/4" 8R6X-S T ADAPTER WITH SWIVEL NUT		02



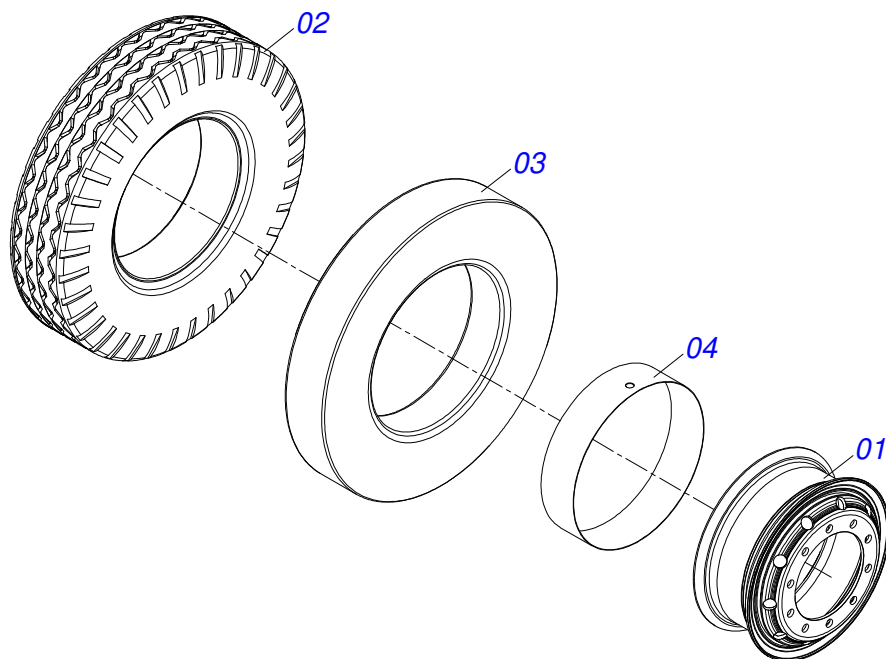
Item	Code	Description	See page	QT
01	0521066478	GCRO 7010 CARRYNG-WHEELS		01
02	0503010002	1800 GREASE FITTING		03
03	0503011198	C3/4" X 6" SCREW		04
04	0503010023	3/4" SPRING WASHER		04
05	0503010014	3/4" NUT		04
06	0501057120	WHEEL WITHOUT TIRE	8	04
07	0503061582	TIRE WHEELS	9	04
08	0531018062	COUPLING SHAFT		02
09	0503011250	1" X 2" BOLT		04
10	0503010012	1" SPRING WASHER		04
11	0521011565	FLAT WASHER		04
12	0521051832	HYDRAULIC CYLINDER 53,98 X 114,30 X 654 X 346	10	02
13	0503010190	2-114 N 3006-9B O'RING		04
14	0501010617	3/4" NIPPLE		04
15	0531018101	1.2" X 6.3" PIVOT SHAFT		02
16	0501017779	32 X 60 X 4.75 FLAT WASHER		08
17	0503011877	0.3" X 2.4" SPRING PIN		08
18	0531018105	1.2" X 11.8" PIVOT SHAFT		02



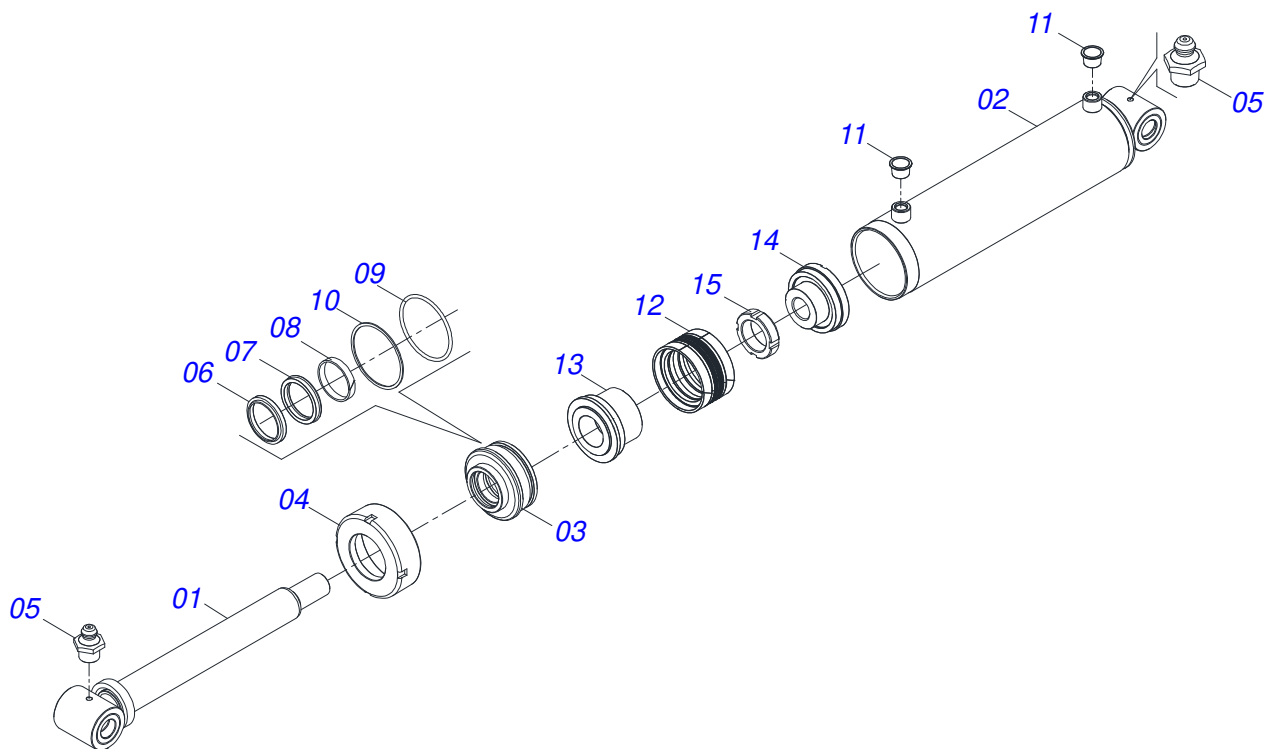
Item	Code	Description	See page	QT
01	0521065289	CARRYING-WHEELS		01
02	0501057120	WHEEL WITHOUT TIRE	8	02
03	0503062172	WHEEL AND TIRE ASSY		02
04	0521051832	HYDRAULIC CYLINDER 53,98 X 114,30 X 654 X 346	10	02
05	0503011198	C3/4" X 6" SCREW		02
06	0503010023	3/4" SPRING WASHER		02
07	0503010014	3/4" NUT		02
08	0503010002	1800 GREASE FITTING		02
09	0531018062	COUPLING SHAFT		02
10	0521011565	FLAT WASHER		04
11	0503010012	1" SPRING WASHER		04
12	0503011250	1" X 2" BOLT		04
13	0531018101	1.2" X 6.3" PIVOT SHAFT		02
14	0501017779	32 X 60 X 4.75 FLAT WASHER		08
15	0503011877	0.3" X 2.4" SPRING PIN		08
16	0531018105	1.2" X 11.8" PIVOT SHAFT		02



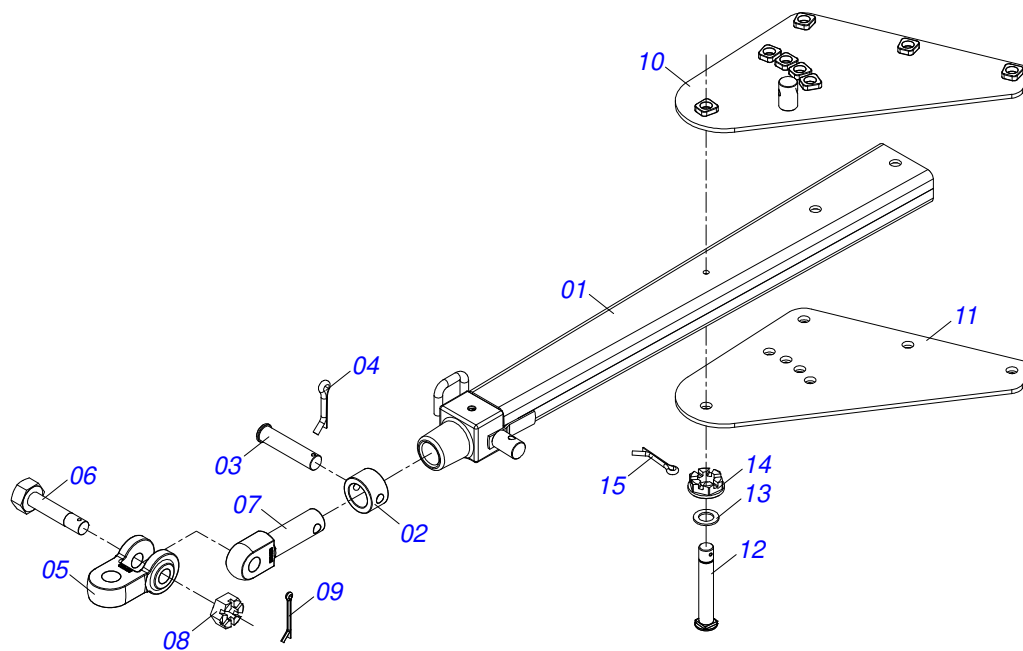
Item	Code	Description	See page	QT
01	0551011426	POINT AXIS R2.1/2UN		01
02	0561015521	FLANGE		05
03	0501110761	HUB AND BOLT		01
04	0503010118	32218 BEARING		02
05	0531019986	64 X 110 X 9.5 FLAT WASHER		01
06	0502040080	FLANGE NUT R.2.1/2 UN		01
07	0503012213	1/4" COTTERPIN		01
08	0503013548	JOINT CORK		01
09	0503013546	BOLT SX MA5,8 M10X1,5X20ZA DI		04
10	0503013542	M10 SPRING WASHER		04
11	0503013541	RETAINER		01
12	0503013549	HUB COVER		01



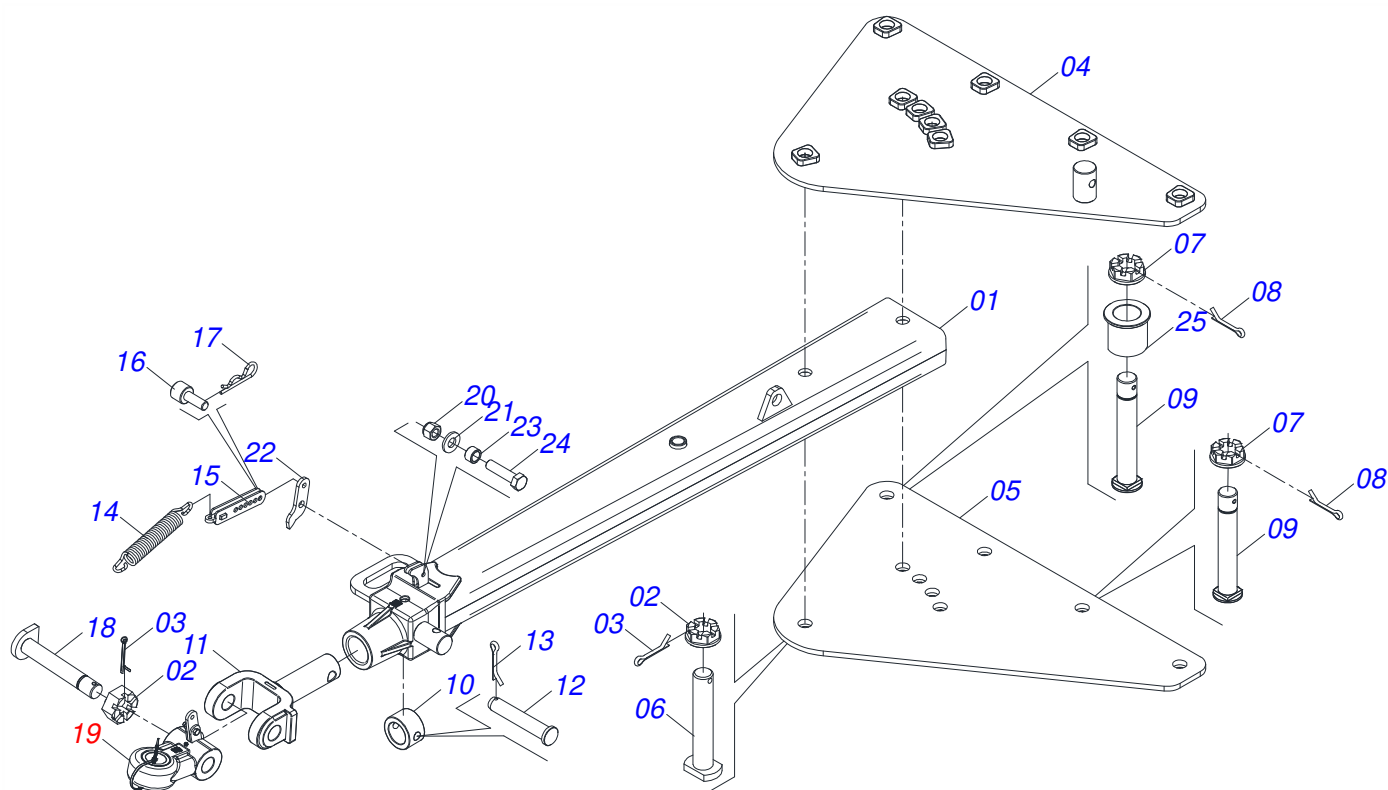
Item	Code	Description	See page	QT
01	0503014184	7.00 X 20" WHEEL		01
02	0503010494	9.0LX 20" X 14 PLY, TIRE		01
03	0503010057	INNER TIRE		01
04	0503010470	PROTECTION		01



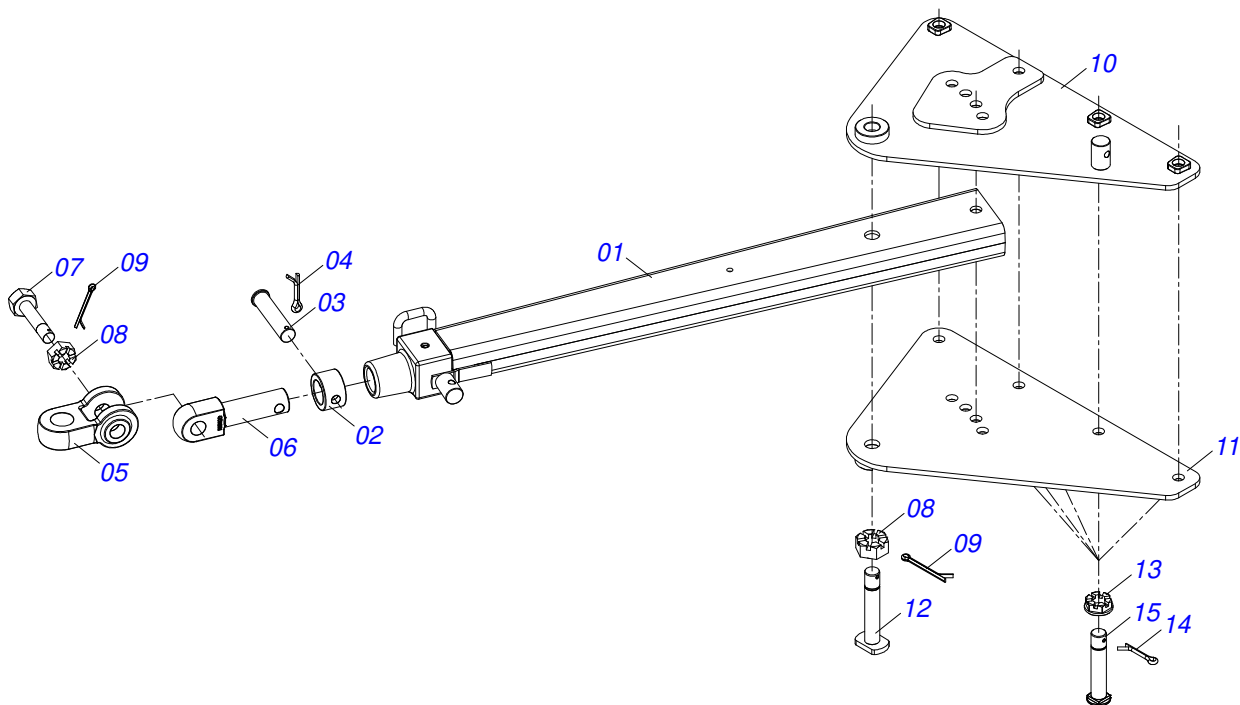
Item	Code	Description	See page	QT
01	0521061684	56,98 X 590,50 TURNBUCKLE		01
02	0521061685	114,30 X 500 CYLINDER CASE		01
03	0502012644	RING SUPPORT		01
04	0502011222	0.56" END CAP		01
05	0503010002	1800 GREASE FITTING		02
06	0503015715	SCRAPER SEALING		01
07	0503015642	U-CUP SEALING		01
08	0503015641	WEAR RING		00
09	0503011892	O' RING, 2-346 N 3006-9B		01
10	0503011893	BACK-UP RING, 8-346		01
11	0503030384	CON PLUG N-001		02
12	0503015640	SEALING SELEMASTER		01
13	0561016578	PISTON BODY		01
14	0581015283	BODY		01
15	0503819100	SCREW		01
16	0501038027	HYDRAULIC CYLINDER REPAIR KIT		01



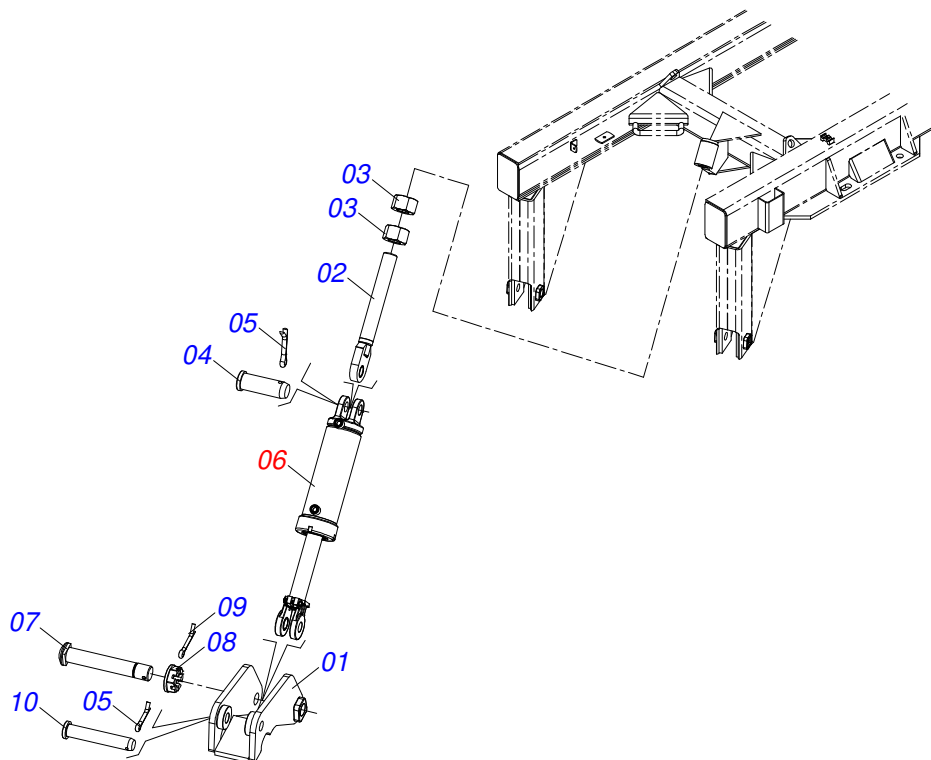
Item	Code	Description	See page	QT
01	0511064669	DRAWBAR ASSY		01
02	0502040263	ANEL TRAVA ENGATE		01
03	0561017306	COUPLING SHAFT		01
04	0503010523	1/4" X 2" COTTERPIN		01
05	0502040293	YH-90 CLEVIS		01
06	0511067199	2" BOLT		01
07	0502040264	DRAWBOLT		01
08	0502040558	2" CASTLE NUT		01
09	0503010074	3/8 X 0,15" COTTERPIN		01
10	0511067825	UPPER PLATE		01
11	0511067826	LOWER PLATE		01
12	0521011880	37,5 X 242 COUPLING SHAFT		05
13	0501012916	FLAT WASHER 38,50 X 66 X 4,75 ZN		05
14	0501011301	1.1/2 UNC 6FPP 2.5/16 NUT		05
15	0503010010	1/4" X 2.1/2" COTTERPIN		05



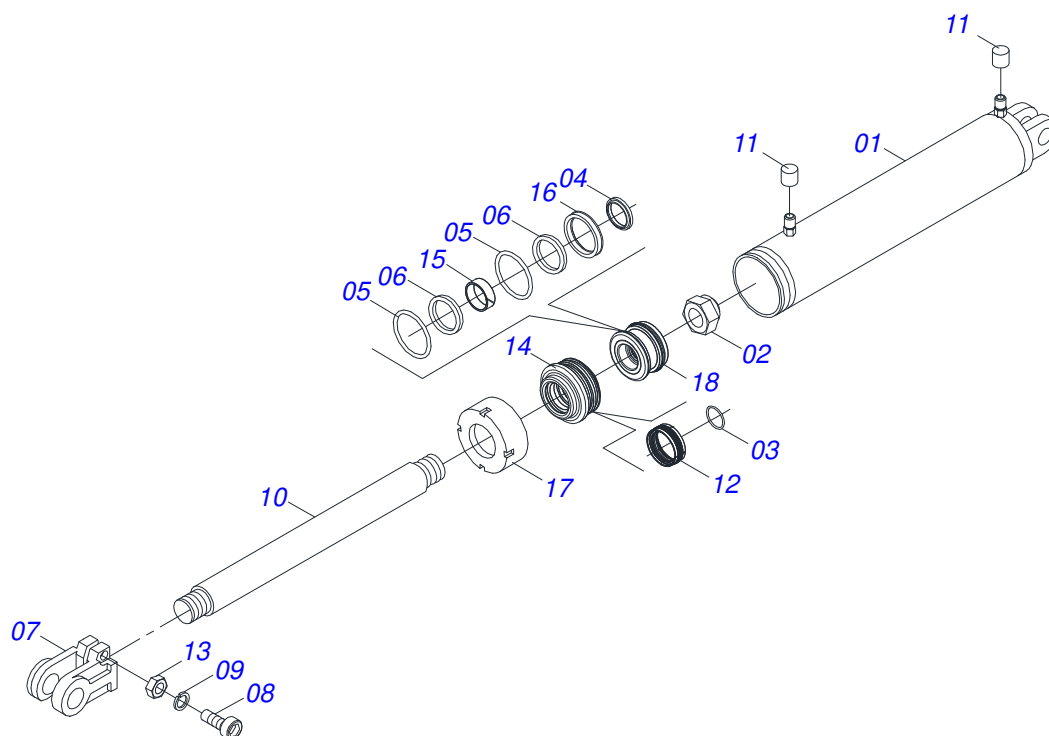
Item	Code	Description	See page	QT
01	0521068249	BAR TRACTION (AXLE 2)		01
02	0502040558	2" CASTLE NUT		02
03	0503010074	3/8 X 0,15" COTTERPIN		02
04	0521068246	UPPER PLATE (AXLE 2)		01
05	0521068247	LOWER PLATE (AXLE 2)		01
06	0521068248	SHAFT JUNCTION WITH LOCK (50,80 X 273)		01
07	0501811301	CASTLE NUT		05
08	0503010010	1/4" X 2.1/2" COTTERPIN		05
09	0521811880	37,50 X 230 X PQ R.1./2 JUNCTION AXLE		05
10	0502040263	ANEL TRAVA ENGATE		01
11	1902040897	TRACTOR HITCH		01
12	0561017306	COUPLING SHAFT		01
13	0503010523	1/4" X 2" COTTERPIN		01
14	0503031741	1.8" X 11.4" 0.3" TRACTION SPRING		01
15	0531061607	SPRING REGULATOR		01
16	0591014558	SPRING REGULATOR FIXER AXLE		01
17	0503030285	HAIR PIN		01
18	0531061122	AXIS ARTICULATOR		01
19	0531040171	ASSY HITCH		01
20	0503010589	1/2" UNC SELF ADJUSTING NUT		01
21	0501010937	13.5 X 28 X 3 FLAT WASHER		01
22	0591014554	REAR EAR FIXING SPRING		01
23	0591014552	SLEEVE		01
24	0503010740	BOLT 1/2 UNC X 2 CS G.5 ZN		01
25	0591013086	SLEEVE		01



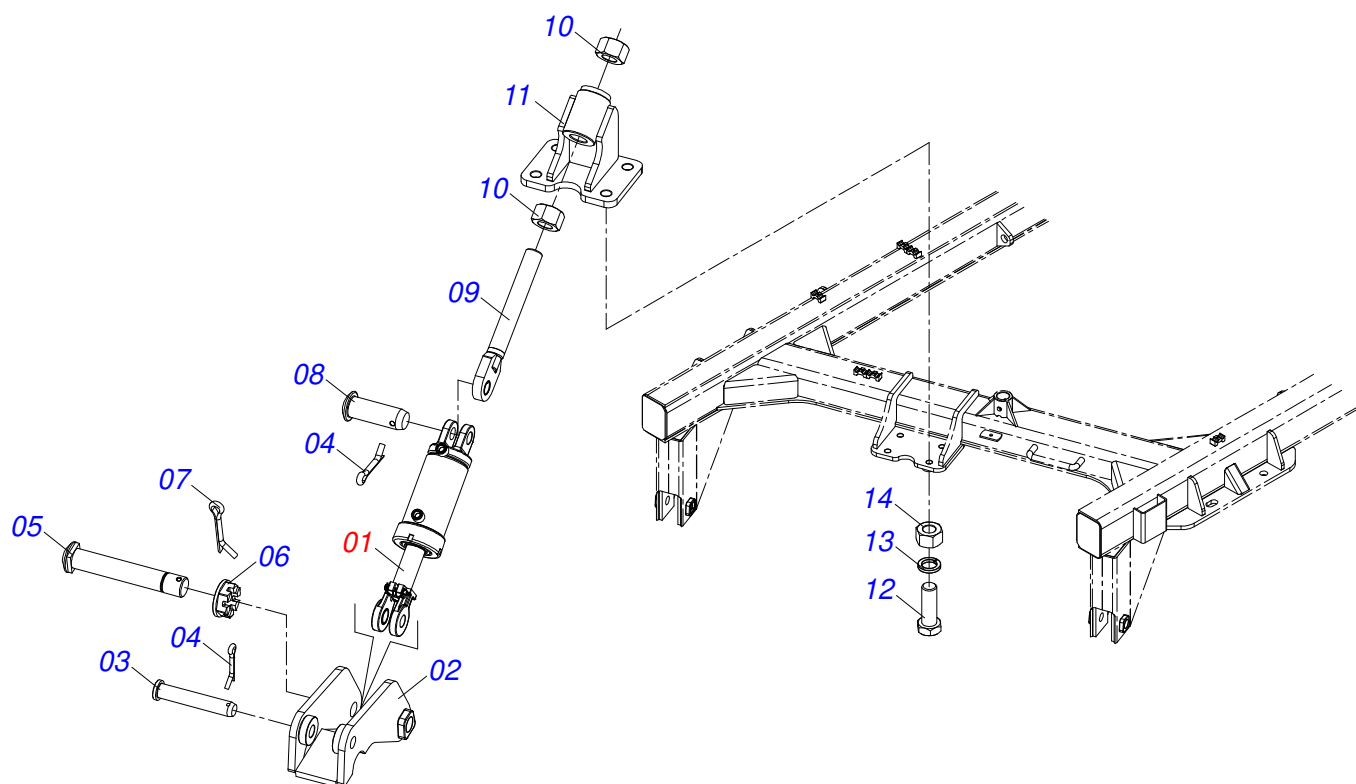
Item	Code	Description	See page	QT
01	0521068249	BAR TRACTION (AXLE 2)		01
02	0502040263	ANEL TRAVA ENGATE		01
03	0561017306	COUPLING SHAFT		01
04	0503010523	1/4" X 2" COTTERPIN		01
05	0502040849	U COUPLING		01
06	1902040264	HITCH PIN		01
07	0511067199	2" BOLT		01
08	0502040558	2" CASTLE NUT		02
09	0503010074	3/8 X 0,15" COTTERPIN		02
10	0521068246	UPPER PLATE (AXLE 2)		01
11	0521068247	LOWER PLATE (AXLE 2)		01
12	0521068248	SHAFT JUNCTION WITH LOCK (50,80 X 273)		01
13	0501011301	1.1/2 UNC 6FPP 2.5/16 NUT		05
14	0503010010	1/4" X 2.1/2" COTTERPIN		05
15	0521011880	37,5 X 242 COUPLING SHAFT		05



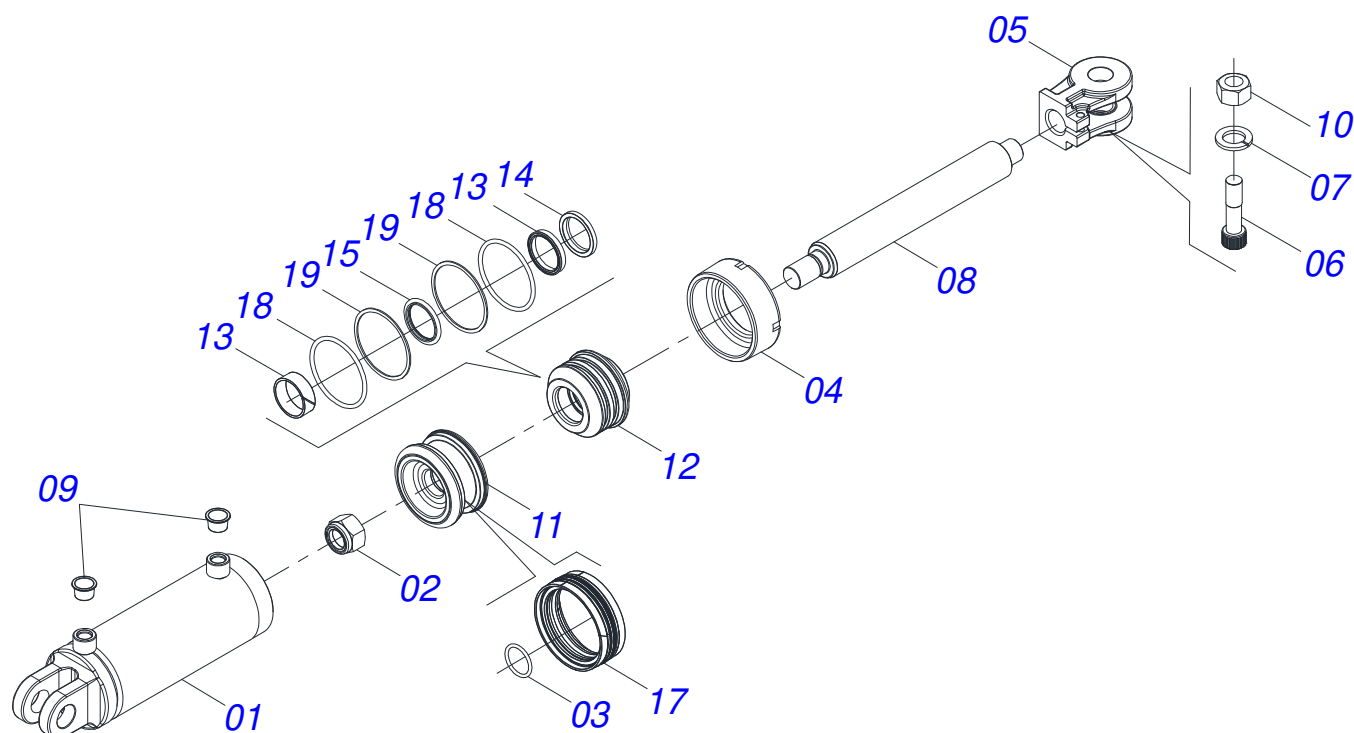
Item	Code	Description	See page	QT
01	0511064656	DRAWBAR PIVOT		01
02	0511064433	REGULATOR SPINDLE 1-3/4		01
03	0501010333	1.3/4" NUT		02
04	0521012538	1.2" X 3.5" COUPLING SHAFT		01
05	0503010523	1/4" X 2" COTTERPIN		02
06	0511058419	HYDRAULIC CYLINDER 50,80 X 101,60 X 514 X 206	15	01
07	0521012053	1.5" X 8.6" AXLE		01
08	0501011301	1.1/2 UNC 6FPP 2.5/16 NUT		01
09	0503010010	1/4" X 2.1/2" COTTERPIN		01
10	0531019171	1.25" X 7" COUPLING SHAFT		01



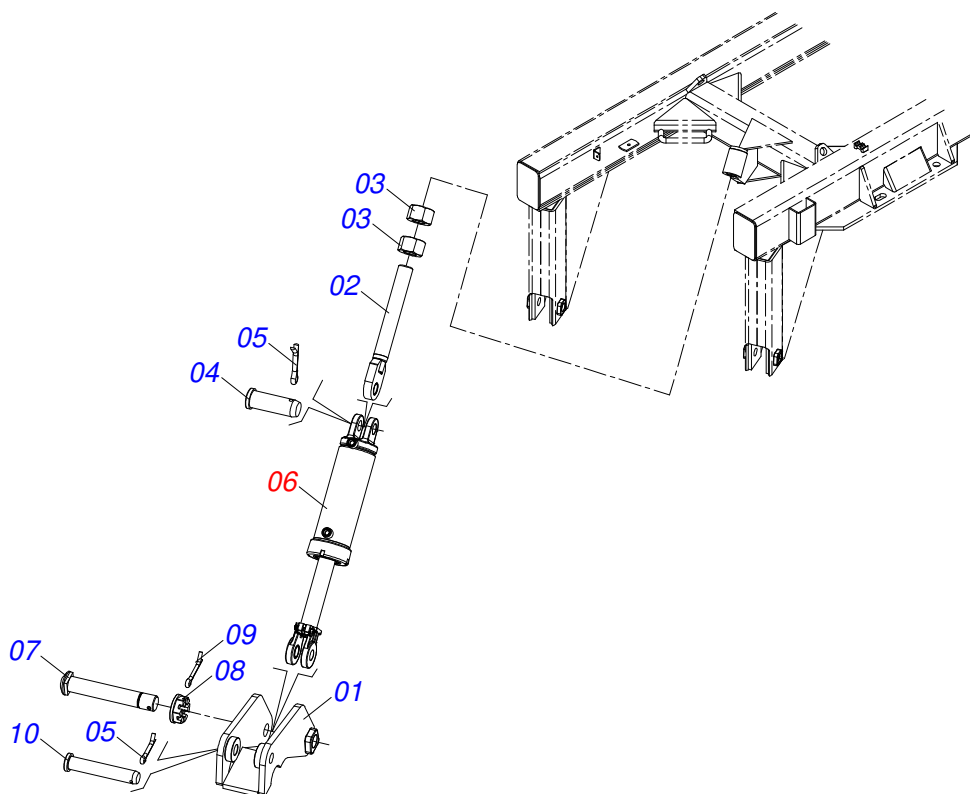
Item	Code	Description	See page	QT
01	0511061336	101,6 X 398 CYLINDER CASE		01
02	0503010817	1.1/4" SELF LOCKING NUT		01
03	0503010345	2-218 N 3006-9B O'RING		01
04	0503015636	SCRAPER SEAL		01
05	0503010338	2-342 N 3006-9B O'RING		02
06	0503011061	8-342 BACK-UP RING		02
07	0502040747	32.54 CLEVIS CLAMP		01
08	0503011094	3/8" X 2" BOLT		01
09	0503011443	3/8" SPRING WASHER		01
10	0521010422	HYDRAULIC CYLINDER TURNBUCKLE		01
11	0503030384	CON PLUG N-001		02
12	0503015633	SELEMASTER SEALING		01
13	0503010026	3/8" NUT		01
14	0581010678	50,80 X 101 RING SUPPORT		01
15	0503018025	RING GUIDE		01
16	0503018026	1870-2000-375 B GASKET		01
17	0502012822	101.60 END CAP		01
18	0502012842	50,80 X 101,60 PISTON		01
19	0511032511R	HYDRAULIC CYLINDER REPAIR KIT		01



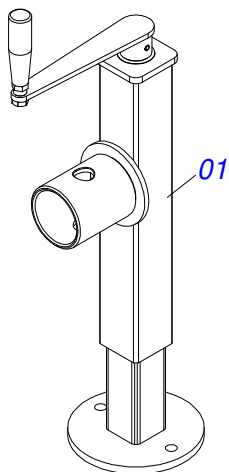
Item	Code	Description	See page	QT
01	0511058521	50,80 X 101,60 X 527 X 165 HYDRAULIC CYLINDER	17	01
02	0511064656	DRAWBAR PIVOT		01
03	0531019171	1.25" X 7" COUPLING SHAFT		01
04	0503010523	1/4" X 2" COTTERPIN		01
05	0521812053	1.5" X 8.6" AXLE		01
06	0501011301	1.1/2 UNC 6FPP 2.5/16 NUT		01
07	0503010010	1/4" X 2.1/2" COTTERPIN		01
08	0521012538	1.2" X 3.5" COUPLING SHAFT		01
09	0511064433	REGULATOR SPINDLE 1-3/4		01
10	0501010333	1.3/4" NUT		02
11	0521066580	CYLINDER FIXER		01
12	0501010276	BOLT		04
13	0503010012	1" SPRING WASHER		04
14	0501010059	1.5/8 NUT		04



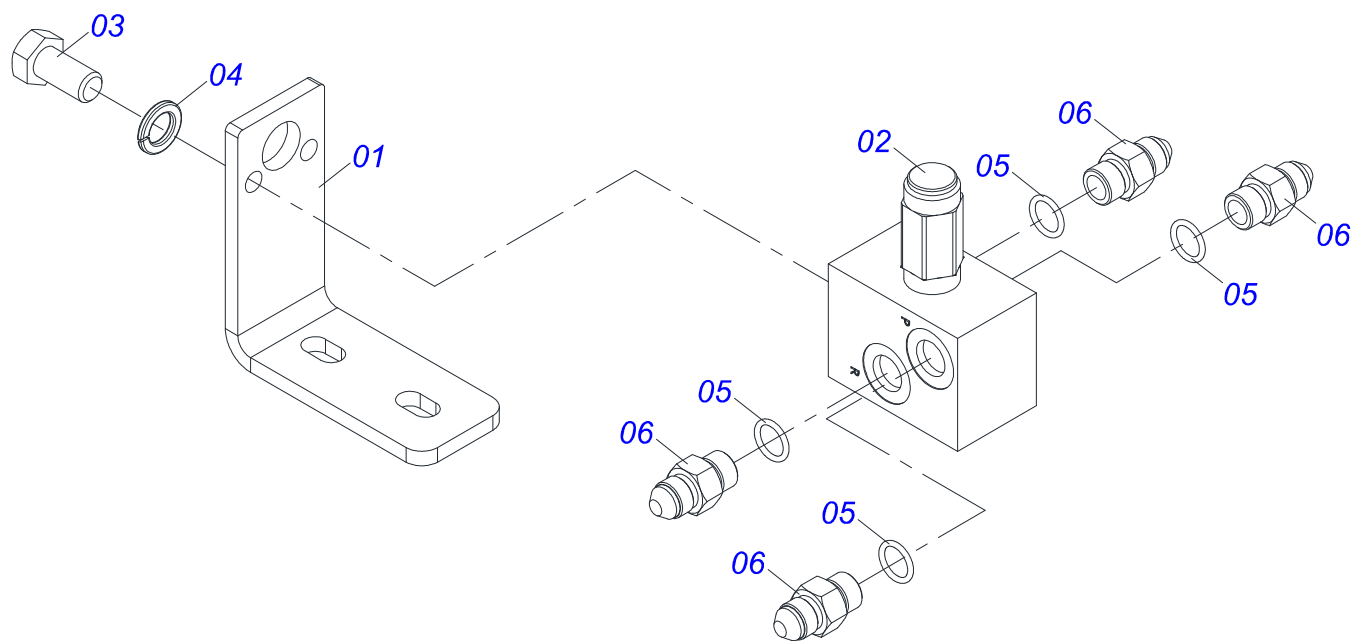
Item	Code	Description	See page	QT
01	0521066698	CYLINDER CASE ASSY		01
02	0503010817	1.1/4" SELF LOCKING NUT		01
03	0503018029	2-217 O'RING		01
04	0502012822	101.60 END CAP		01
05	0502040747	32.54 CLEVIS CLAMP		01
06	0503011094	3/8" X 2" BOLT		01
07	0503011443	3/8" SPRING WASHER		01
08	0581011007	HYDRAULIC CYLINDER TURNBUCKLE		01
09	0503030384	CON PLUG N-001		02
10	0503010026	3/8" NUT		01
11	0502012820	50.80 X 101.60 PISTON		01
12	0502012821	50.80 X 101.60 RING SUPPORT		01
13	0503018025	RING GUIDE		01
14	0503010039	D-2000 SCRAPER RING		01
15	0503018026	1870-2000-375 B GASKET		01
16	0503018024	RING BS		01
17	0503015633	SELEMASTER SEALING		01
18	0503010338	2-342 N 3006-9B O'RING		02
19	0503011061	8-342 BACK-UP RING		02
20	0511032211R	HYDRAULIC CYLINDER REPAIR KIT		01



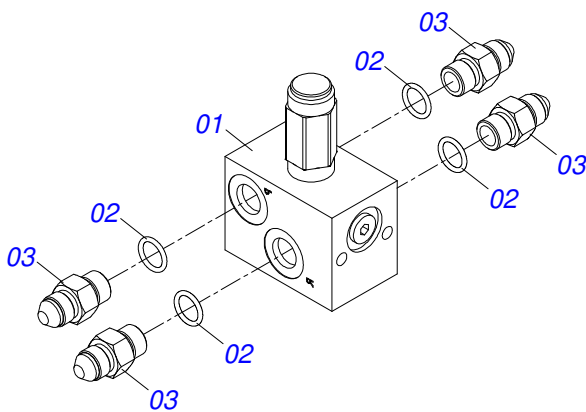
Item	Code	Description	See page	QT
01	0511064656	DRAWBAR PIVOT		01
02	0511064433	REGULATOR SPINDLE 1-3/4		01
03	0501010333	1.3/4" NUT		02
04	0521012538	1.2" X 3.5" COUPLING SHAFT		01
05	0503010523	1/4" X 2" COTTERPIN		02
06	0511058521	50,80 X 101,60 X 527 X 165 HYDRAULIC CYLINDER	17	01
07	0521012053	1.5" X 8.6" AXLE		01
08	0501011301	1.1/2 UNC 6FPP 2.5/16 NUT		01
09	0503010010	1/4" X 2.1/2" COTTERPIN		01
10	0531019171	1.25" X 7" COUPLING SHAFT		01



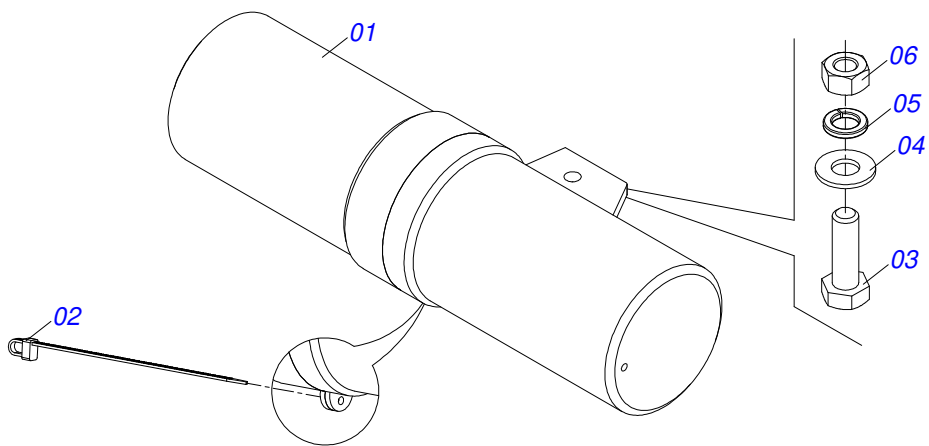
Item	Code	Description	See page	QT
01	0503062227	DRAWBAR JACK		01



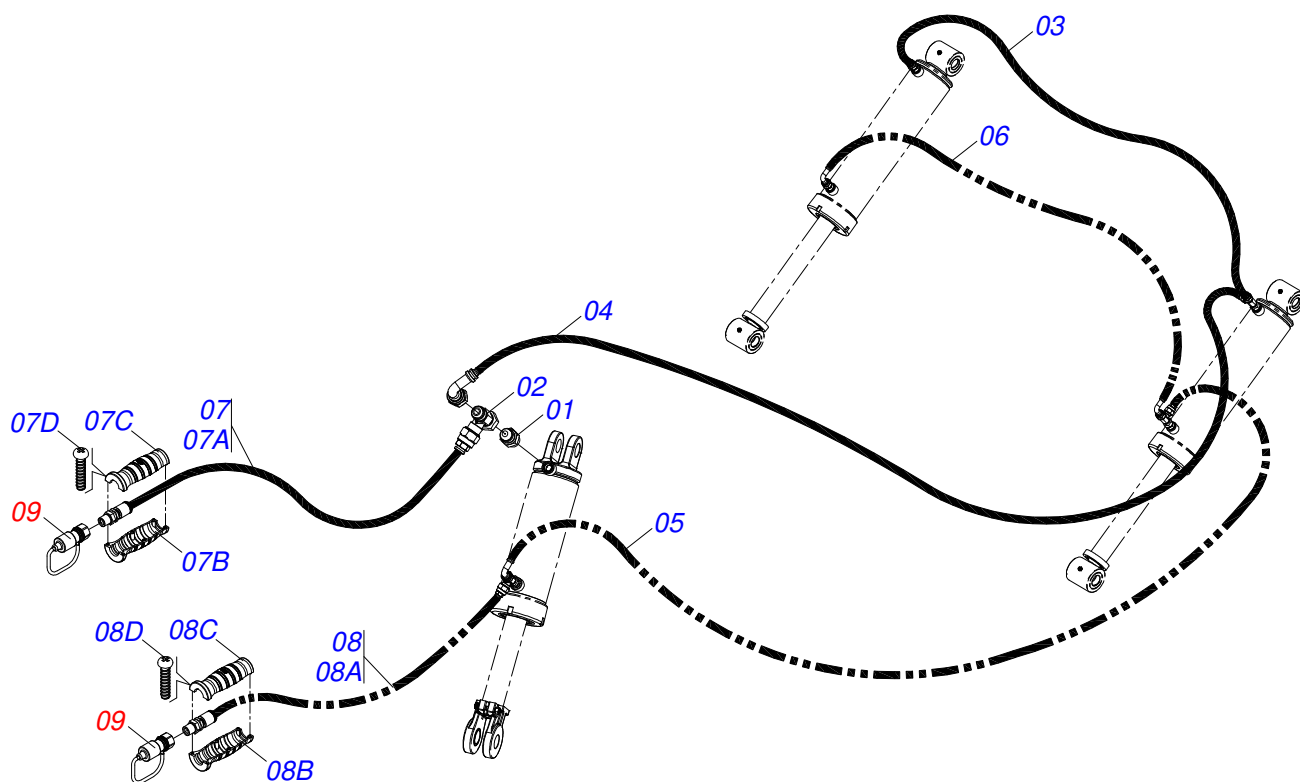
Item	Code	Description	See page	QT
01	0581011745	VALVE SUPPORT		01
02	0503010919	DISCHARGE VALVE		01
03	0503011334	BOLT 3/8 UNC X 3/4 CS G.5 ZN		02
04	0503010025	3/8" SPRING WASHER		02
05	0503010190	2-114 N 3006-9B O'RING		04
06	0501010617	3/4" NIPPLE		04



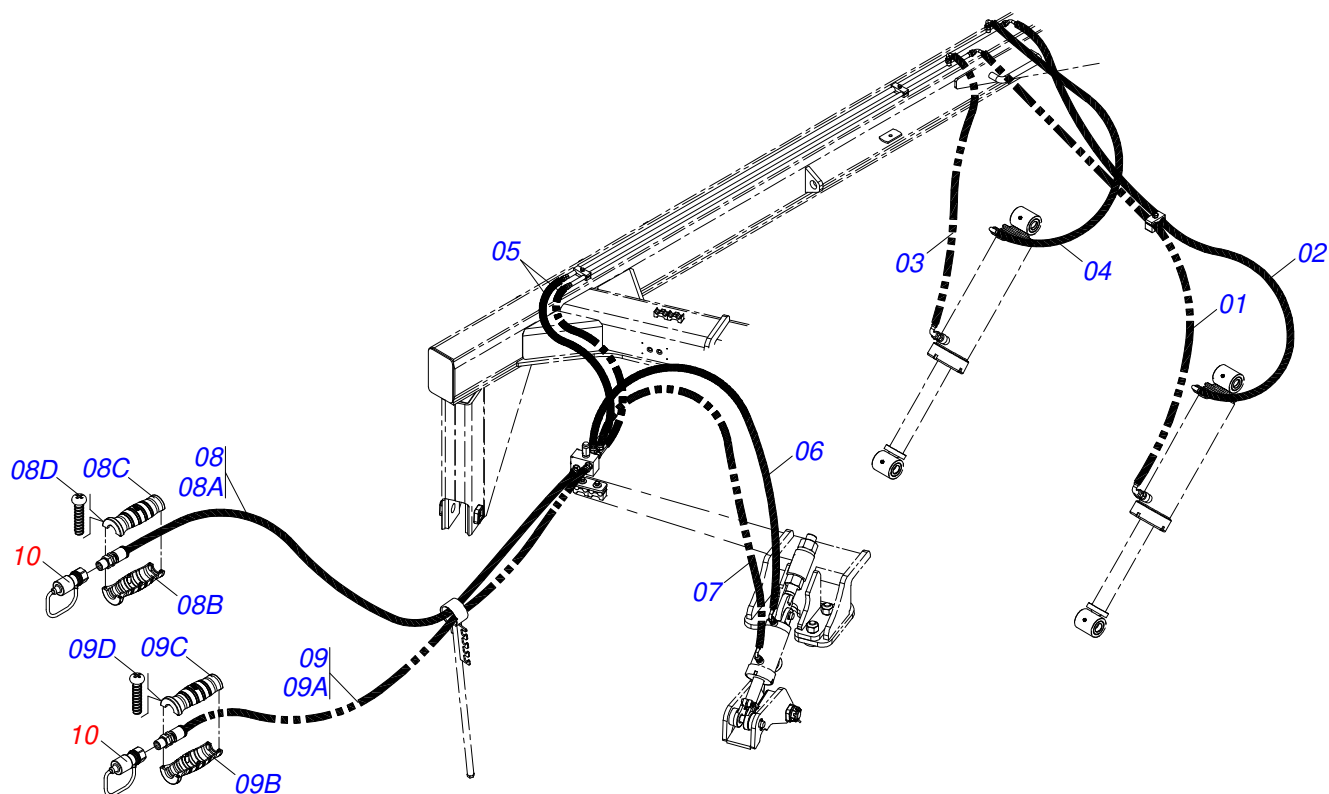
Item	Code	Description	See page	QT
001	0503010919	DISCHARGE VALVE		01
002	0503010190	2-114 N 3006-9B O'RING		04
003	0501010617	3/4" NIPPLE		04



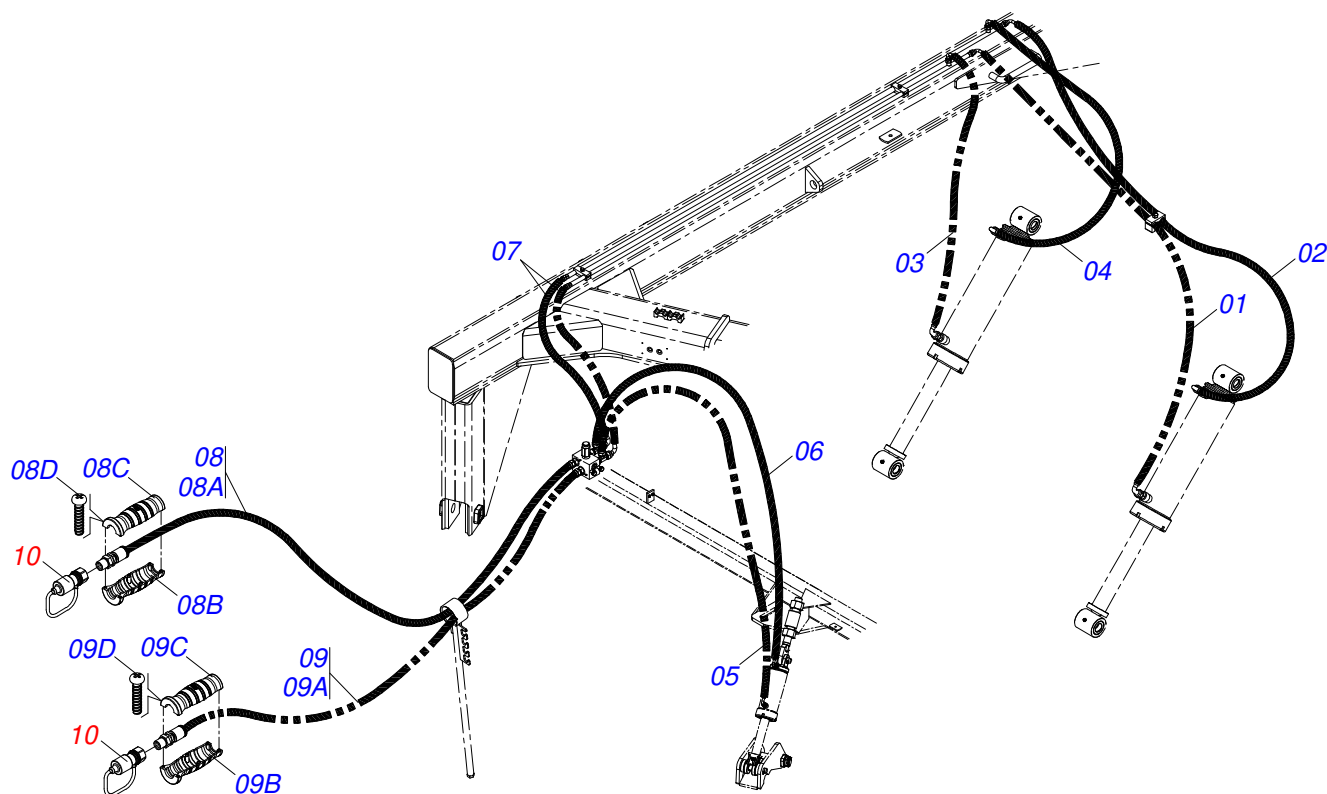
Item	Code	Description	See page	QT
01	0503060100	OPERATOR'S MANUAL STORAGE TUBE		01
02	0503010267	NYLON CLAMP		01
03	0503010363	5/16" X 1" BOLT		01
04	0501010694	8.5 X 18 X 1.5 FLAT WASHER		01
05	0503010179	5/16" ZN SPRING WASHER		01
06	0503010337	5/16" NUT		01



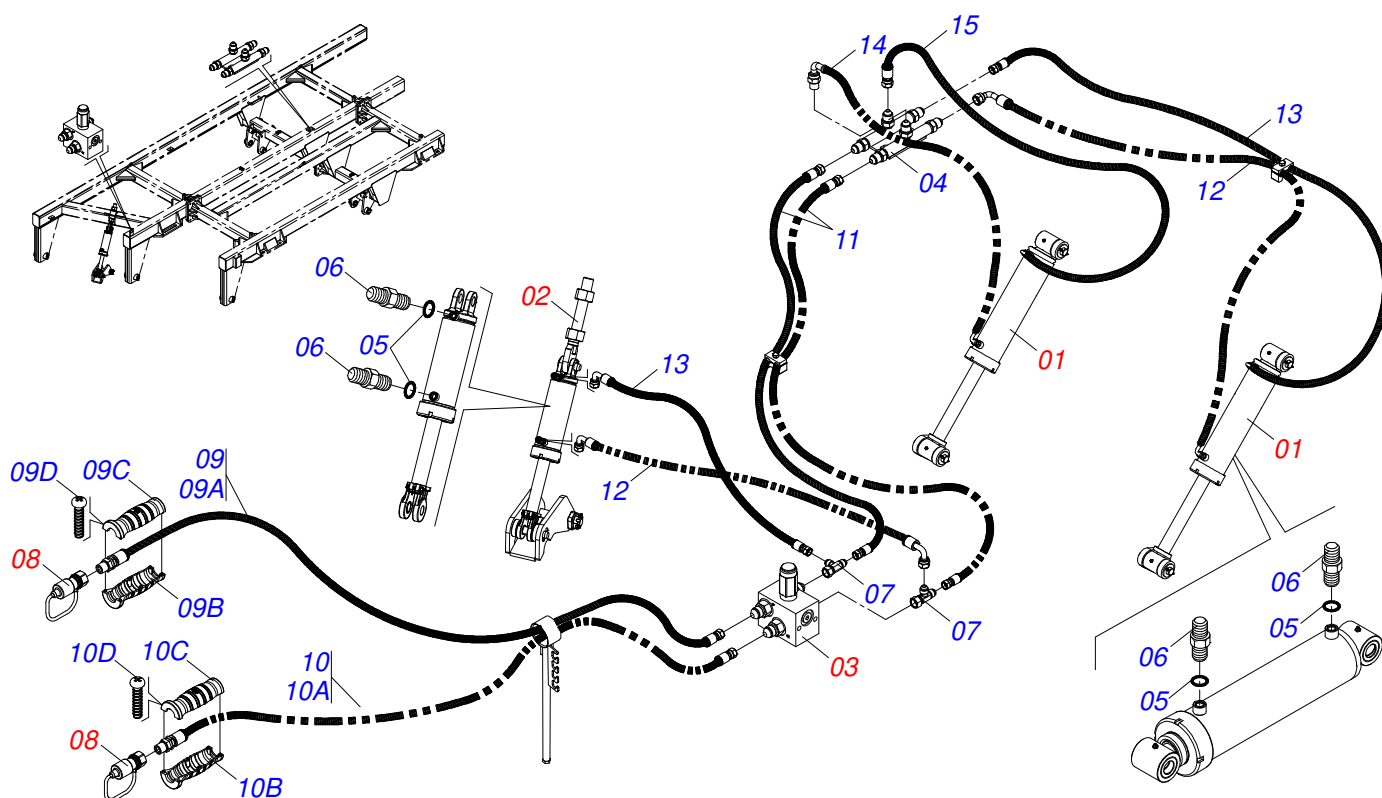
Item	Code	Description	See page	QT
01	0561014252	3/4 UNF X 44 NIPPLE WITH REDUCTION		02
02	0503011968	3/4" 8R6X-S T ADAPTER WITH SWIVEL NUT		02
03	0501082182	HOSE 3/8 X 1330 TR-TR		01
04	0501080724	3/8" X 4700 TR-TC HOSE ASSY		01
05	0501080605	3/8" X 160" TR-TC HOSE ASSY		01
06	0501080514	3/8 X 1700 TC-TC HOSE		01
07	0521052495	HOSE 3/8 X 5500 TR-TM BLACK/RED		01
07A	0501080205	HOSE 3/8 X 5500 TR-TM		01
07B	0503034492	HYDRAULIC HOSE GRIP (BLACK)		01
07C	0503034495	HYDRAULIC HOSE GRIP (RED)		01
07D	0503018952	PLASTIC BOLT		06
08	0521052496	HOSE 3/8 X 5500 TR-TM BLACK/BLUE		01
08A	0501080205	HOSE 3/8 X 5500 TR-TM		01
08B	0503034492	HYDRAULIC HOSE GRIP (BLACK)		01
08C	0503034494	HYDRAULIC HOSE GRIP (BLUE)		01
08D	0503018952	PLASTIC BOLT		06
09	0501053834	MALE QUICK COUPLER WITH CAP - 1/2 NPT	27	02



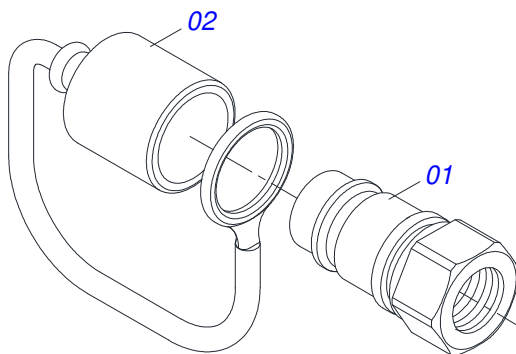
Item	Code	Description	See page	QT
01	0501080432	3/8 X 2600 TC-TC HOSE ASSY		01
02	0501080393	3/8 X 2200 TC-TC HOSE		01
03	0501080065	3/8 X 1200 TC-TC HOSE		01
04	0501080931	3/8" X 39" TC-TC HOSE ASSY		01
05	0501080106	TR-TR HOSE ASSY		02
06	0501080302	TR-TC HOSE ASSY		01
07	0501080436	3/8 X 1500 TR-TC HOSE		01
08	0521052495	HOSE 3/8 X 5500 TR-TM BLACK/RED		01
08A	0501080205	HOSE 3/8 X 5500 TR-TM		01
08B	0503034492	HYDRAULIC HOSE GRIP (BLACK)		01
08C	0503034495	HYDRAULIC HOSE GRIP (RED)		01
08D	0503018952	PLASTIC BOLT		06
09	0521052496	HOSE 3/8 X 5500 TR-TM BLACK/BLUE		01
09A	0501080205	HOSE 3/8 X 5500 TR-TM		01
09B	0503034492	HYDRAULIC HOSE GRIP (BLACK)		01
09C	0503034494	HYDRAULIC HOSE GRIP (BLUE)		01
09D	0503018952	PLASTIC BOLT		06
10	0501053834	MALE QUICK COUPLER WITH CAP - 1/2 NPT	27	02



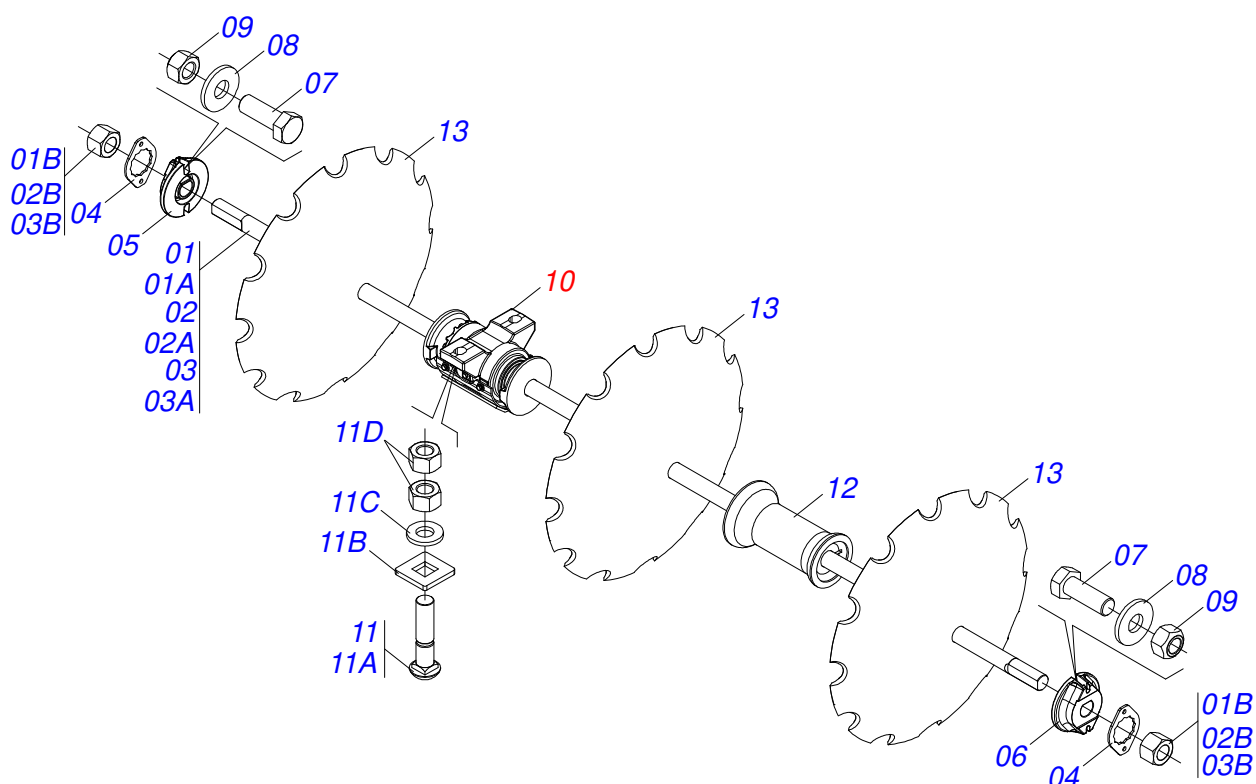
Item	Code	Description	See page	QT
01	0501080432	3/8 X 2600 TC-TC HOSE ASSY		01
02	0501080393	3/8 X 2200 TC-TC HOSE		01
03	0501080065	3/8 X 1200 TC-TC HOSE		01
04	0501080931	3/8" X 39" TC-TC HOSE ASSY		01
05	0501080302	TR-TC HOSE ASSY		01
06	0501080055	3/8 X 1000 TR-TC HOSE		01
07	0501080436	3/8 X 1500 TR-TC HOSE		02
08	0521052495	HOSE 3/8 X 5500 TR-TM BLACK/RED		01
08A	0501080205	HOSE 3/8 X 5500 TR-TM		01
08B	0503034492	HYDRAULIC HOSE GRIP (BLACK)		01
08C	0503034495	HYDRAULIC HOSE GRIP (RED)		01
08D	0503018952	PLASTIC BOLT		06
09	0521052496	HOSE 3/8 X 5500 TR-TM BLACK/BLUE		01
09A	0501080205	HOSE 3/8 X 5500 TR-TM		01
09B	0503034492	HYDRAULIC HOSE GRIP (BLACK)		01
09C	0503034494	HYDRAULIC HOSE GRIP (BLUE)		01
09D	0503018952	PLASTIC BOLT		06
10	0501053834	MALE QUICK COUPLER WITH CAP - 1/2 NPT	27	02



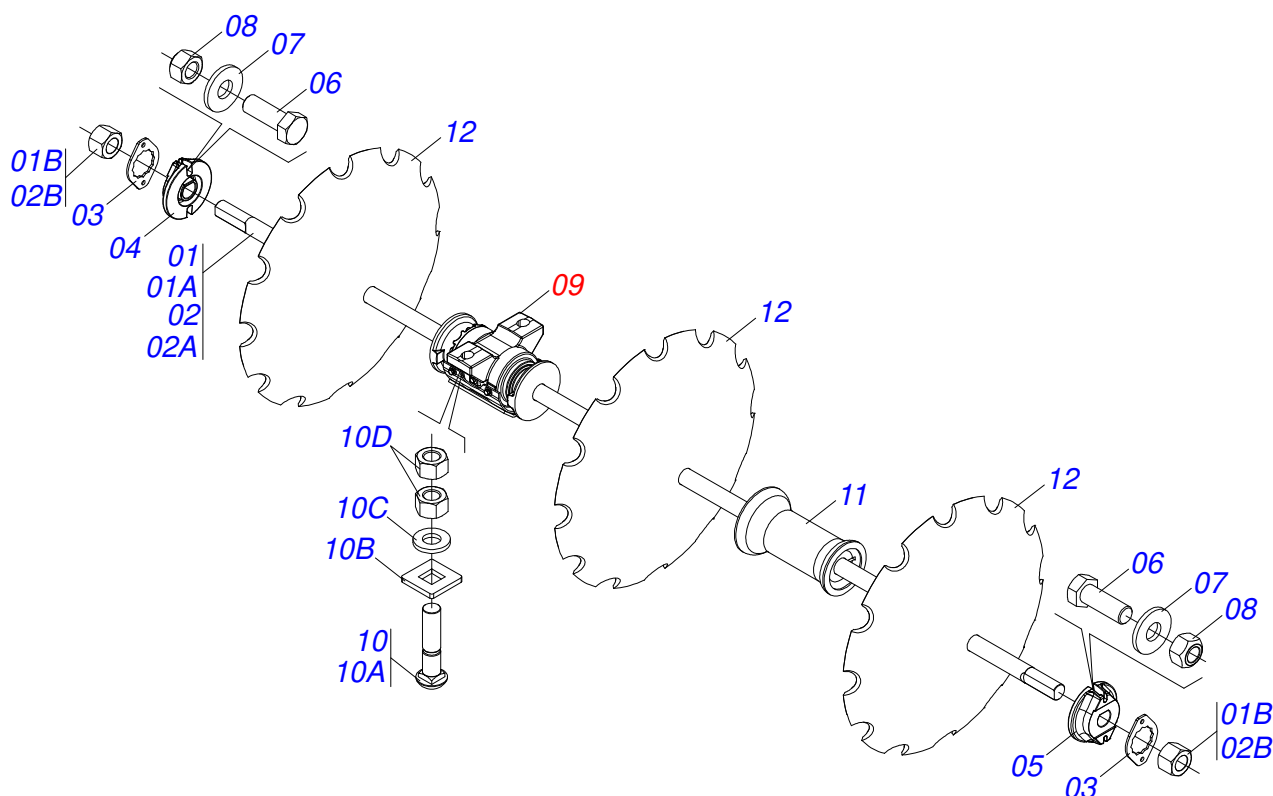
Item	Code	Description	See page	QT
01	0511058419	HYDRAULIC CYLINDER 50,80 X 101,60 X 514 X 206	15	01
02	0521051832	HYDRAULIC CYLINDER 53,98 X 114,30 X 654 X 346	10	02
03	0521052191	RELIEF VALVE	21	01
04	0501068706	DOUBLE CONNECTION		01
05	0503010190	2-114 N 3006-9B O'RING		06
06	0501010617	3/4" NIPPLE		04
07	0503011968	3/4" 8R6X-S T ADAPTER WITH SWIVEL NUT		02
08	0501053834	MALE QUICK COUPLER WITH CAP - 1/2 NPT	27	02
09	0521052495	HOSE 3/8 X 5500 TR-TM BLACK/RED		01
09A	0501080205	HOSE 3/8 X 5500 TR-TM		01
09B	0503034492	HYDRAULIC HOSE GRIP (BLACK)		01
09C	0503034495	HYDRAULIC HOSE GRIP (RED)		01
09D	0503018952	PLASTIC BOLT		06
10	0521052496	HOSE 3/8 X 5500 TR-TM BLACK/BLUE		01
10A	0501080205	HOSE 3/8 X 5500 TR-TM		01
10B	0503034492	HYDRAULIC HOSE GRIP (BLACK)		01
10C	0503034494	HYDRAULIC HOSE GRIP (BLUE)		01
10D	0503018952	PLASTIC BOLT		06
11	0501082183	HOSE 3/8 X 3900 TR-TR		02
12	0501080393	3/8 X 2200 TC-TC HOSE		02
13	0501080461	3/8 X 1800 TR-TC HOSE		02
14	0501080150	3/8 X 800 TR-TC HOSE		01
15	0501080599	3/8 X 650 TR-TC HOSE		01



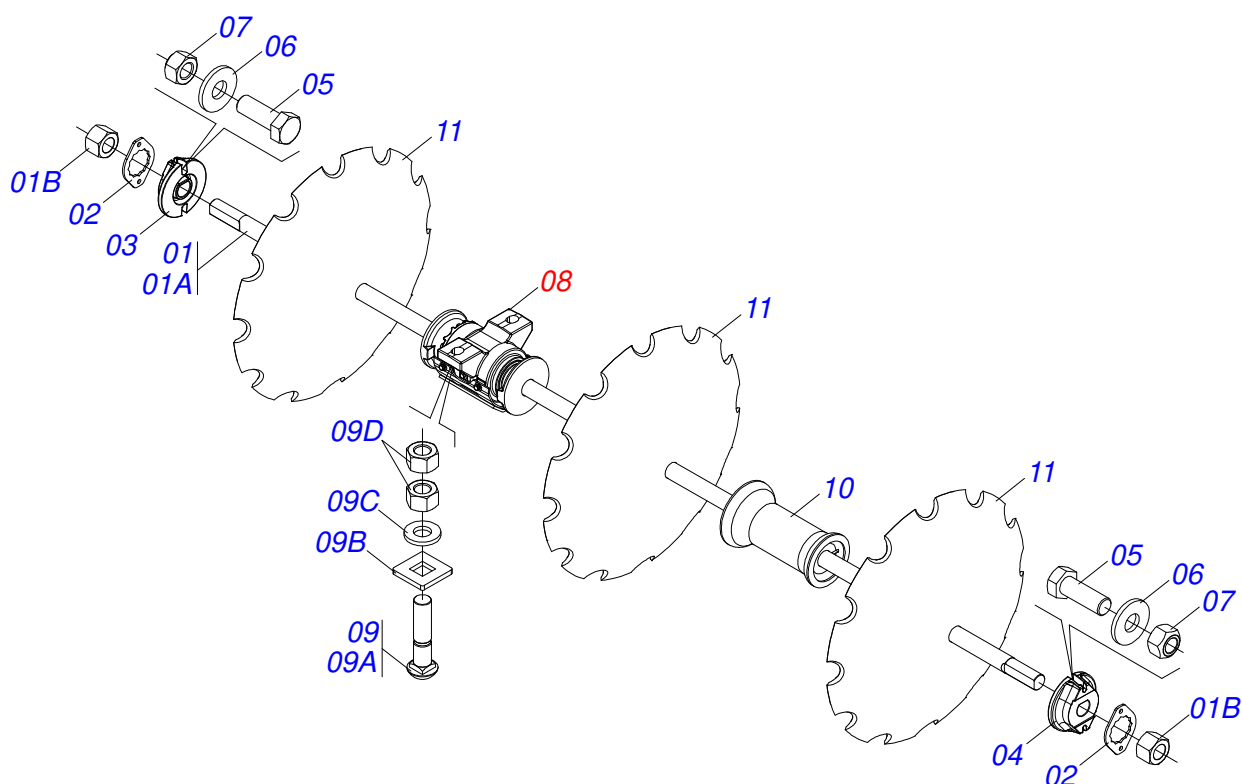
Item	Code	Description	See page	QT
01	0503011627	MALE QUICK COUPLER AGR 1/2 NPT		01
02	0503011882	MALE QUICK COUPLER CAP		01



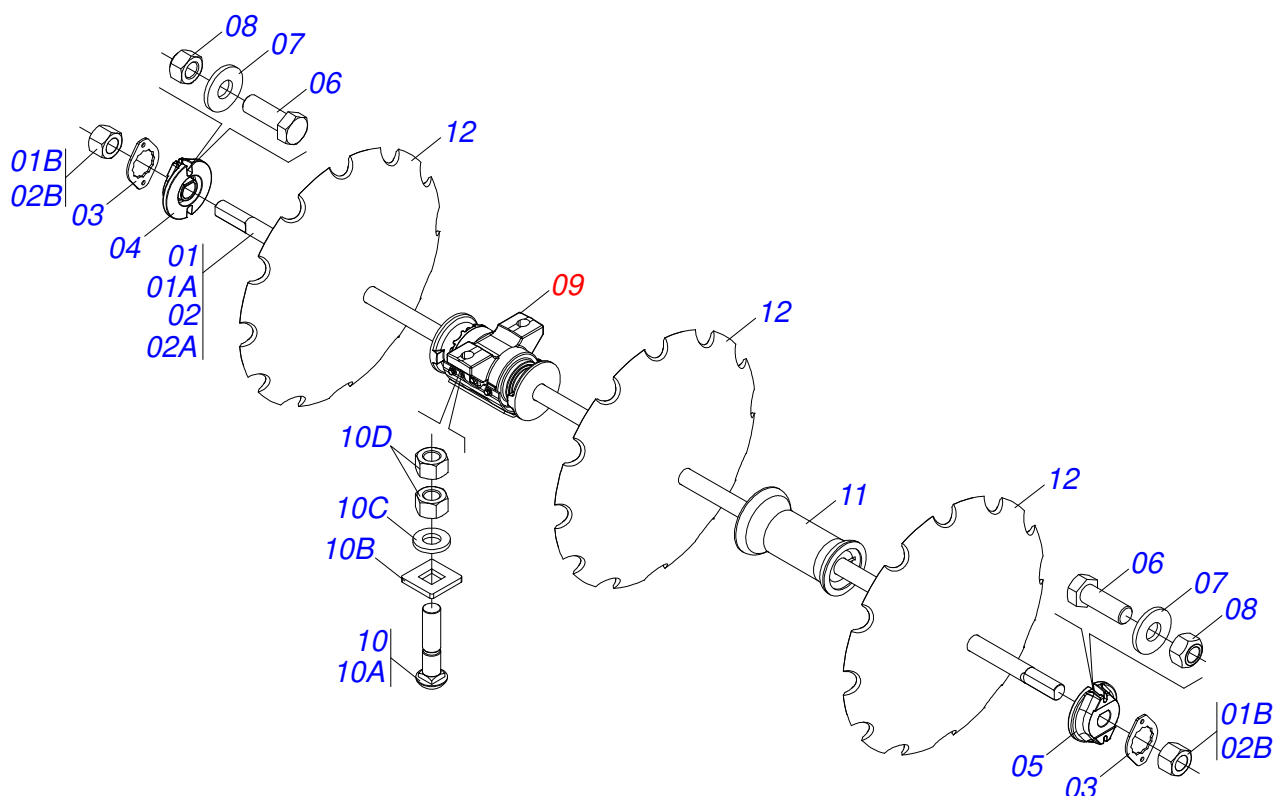
Item	Code	Description	See page	12	14	16
01	0501040691	2-1/2" X 97" AXLE WITH NUTS		02	00	00
01A	0501010356	2-1/2" X 97" AXLE		01	00	00
01B	0502040064	2.1/2"SNC X 70 99 NUT		02	00	00
02	0501040692	2-1/2" X 115" AXLE WITH NUTS		00	02	00
02A	0501010355	2-1/2" X 115" AXLE		00	01	00
02B	0502040064	2.1/2"SNC X 70 99 NUT		00	02	00
03	0501040693	2-1/2" X 63" AXLE WITH NUTS		00	00	04
03A	0501010358	2-1/2" X 63" AXLE		00	00	01
03B	0502040064	2.1/2"SNC X 70 99 NUT		00	00	02
04	0541010368	NUT LOCK		04	04	08
05	0502010592	2-1/2" INNER AXLE WASHER		02	02	04
06	0502010593	2-1/2" EXTERNAL AXLE WASHER		02	02	04
07	0503010232	5/8" X 1.3/4" BOLT		08	08	16
08	0501012140	FLAT WASHER		08	08	16
09	0503012412	5/8 UNC SELF LOCKING NUT		08	08	16
10	0521041291	OIL 430 X 2.1/2 BEARING ASSY	34	04	04	08
11	0501041301	1-1/4"X 5-3/4" ASSY BOLT		08	08	16
11A	0501010954	1-1/4" X 5-3/4" BOLT		01	01	01
11B	0501010953	1-1/4" SQUARE WASHER		01	01	01
11C	0531010713	FLAT WASHER		01	01	01
11D	0501010087	1.1/4" NUT		02	02	02
12	0502012220	2-1/2" X 17" SPACER		06	06	08
13	0602048002	36" X 0.5" NOTCHED DISC BLADE		12	14	16
13.	0602050002	39 X 12 NOTCHED DISC BLADE		12	14	16
13..	0602051003	40" X 12MM NOTCHED DISC BLADE		12	14	16



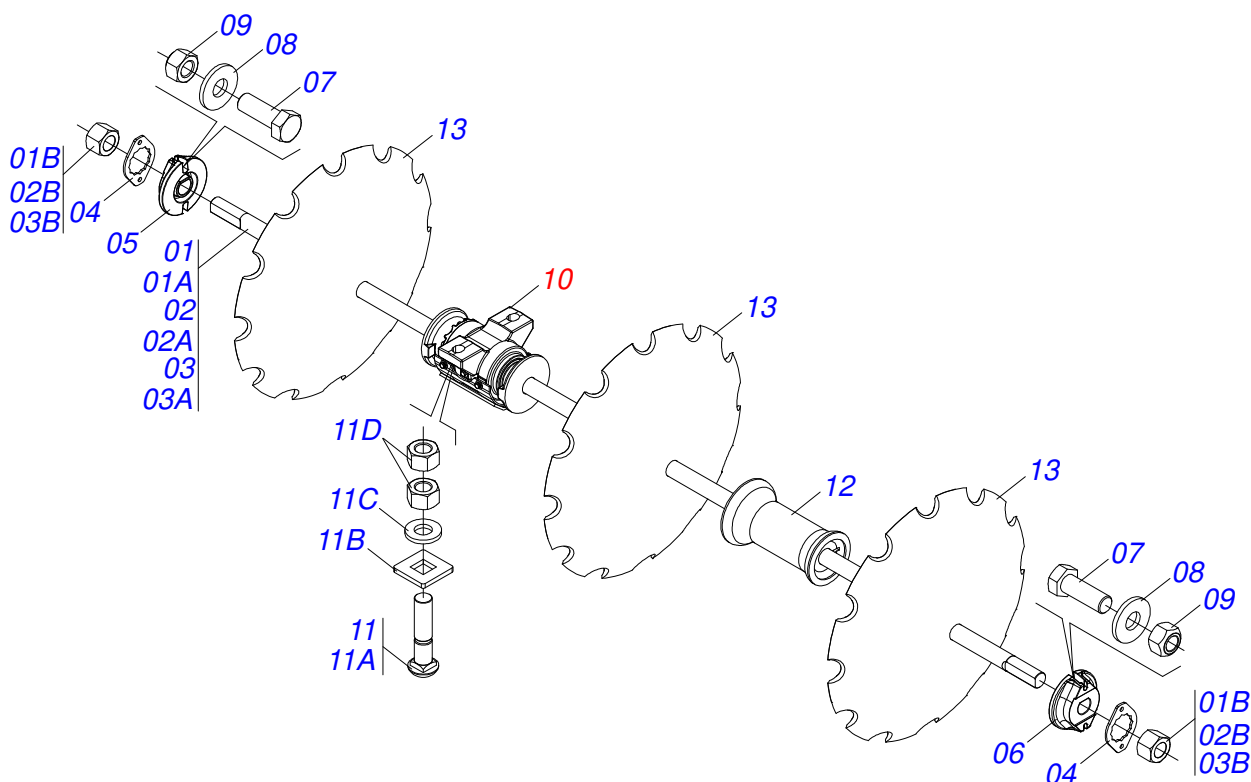
Item	Code	Description	See page	QT
01	0501040693	2-1/2" X 63" AXLE WITH NUTS		02
01A	0501010358	2-1/2" X 63" AXLE		02
01B	0502040064	2.1/2"SNC X 70 99 NUT		04
02	0501040690	2-1/2" X 80" AXLE WITH NUTS		02
02A	0501010357	2-1/2" X 80" AXLE		02
02B	0502040064	2.1/2"SNC X 70 99 NUT		04
03	0541010368	NUT LOCK		08
04	0502010592	2-1/2" INNER AXLE WASHER		04
05	0502010593	2-1/2" EXTERNAL AXLE WASHER		04
06	0503010232	5/8" X 1.3/4" BOLT		16
07	0501012140	FLAT WASHER		16
08	0503012412	5/8 UNC SELF LOCKING NUT		16
09	0521041291	OIL 430 X 2.1/2 BEARING ASSY	34	08
10	0501041301	1-1/4"X 5-3/4" ASSY BOLT		16
10A	0501010954	1-1/4" X 5-3/4" BOLT		01
10B	0501010953	1-1/4" SQUARE WASHER		01
10C	0531010713	FLAT WASHER		01
10D	0501010087	1.1/4" NUT		02
11	0502012220	2-1/2" X 17" SPACER		06
12	0602048051	36" X 12MM NOTCHED DISC BLADE		18
12.	0602050002	39 X 12 NOTCHED DISC BLADE		18
12..	0602051003	40" X 12MM NOTCHED DISC BLADE		18



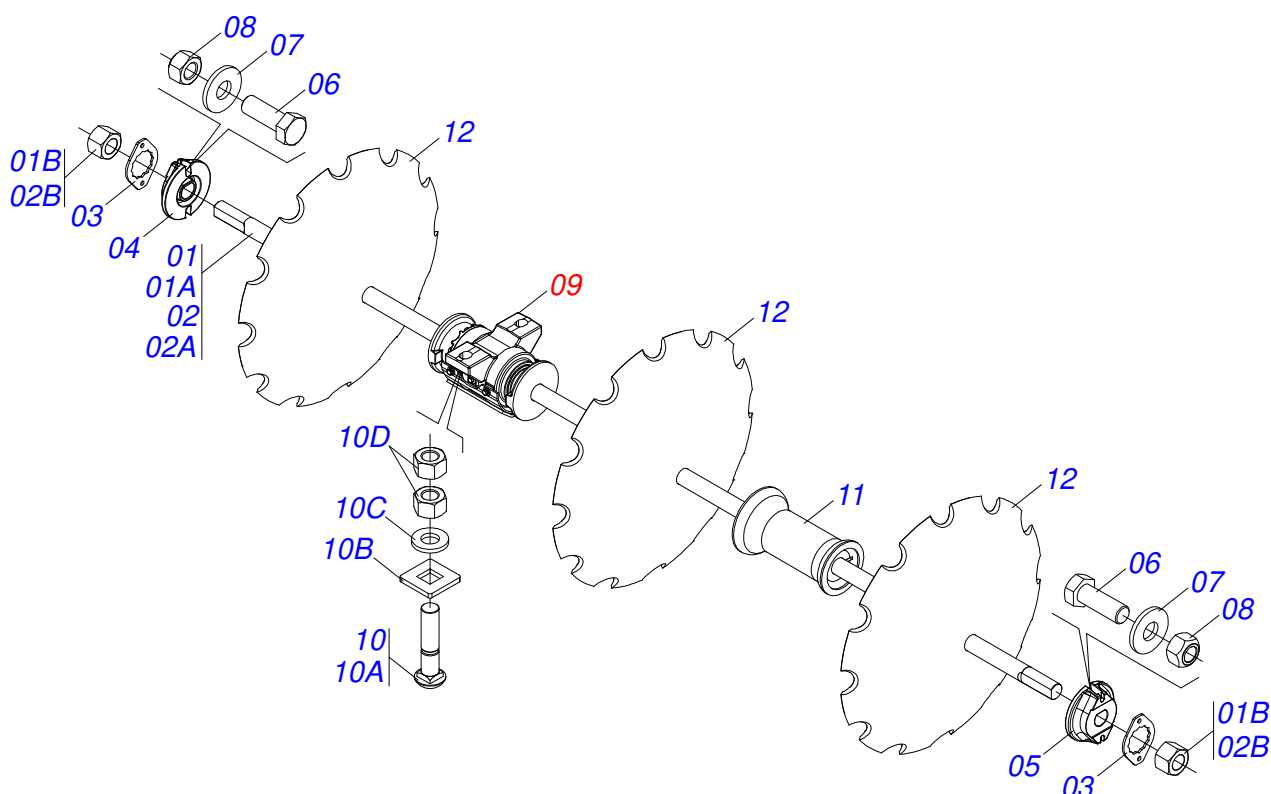
Item	Code	Description	See page	QT
01	0501040690	2-1/2" X 80" AXLE WITH NUTS		04
01A	0501010357	2-1/2" X 80" AXLE		04
01B	0502040064	2.1/2"SNC X 70 99 NUT		04
02	0541010368	NUT LOCK		08
03	0502010592	2-1/2" INNER AXLE WASHER		04
04	0502010593	2-1/2" EXTERNAL AXLE WASHER		04
05	0503010232	5/8" X 1.3/4" BOLT		16
06	0501012140	FLAT WASHER		16
07	0503012412	5/8 UNC SELF LOCKING NUT		16
08	0521041291	OIL 430 X 2.1/2 BEARING ASSY	34	08
09	0501041301	1-1/4"X 5-3/4" ASSY BOLT		16
09A	0501010954	1-1/4" X 5-3/4" BOLT		01
09B	0501010953	1-1/4" SQUARE WASHER		01
09C	0531010713	FLAT WASHER		01
09D	0501010087	1.1/4" NUT		02
10	0502012220	2-1/2" X 17" SPACER		06
11	0602048051	36" X 12MM NOTCHED DISC BLADE		20
11.	0602050002	39 X 12 NOTCHED DISC BLADE		20
11..	0602048001	36"X 0.3"9 NOTCHED DISC BLADE		20
11...	0602051003	40" X 12MM NOTCHED DISC BLADE		20



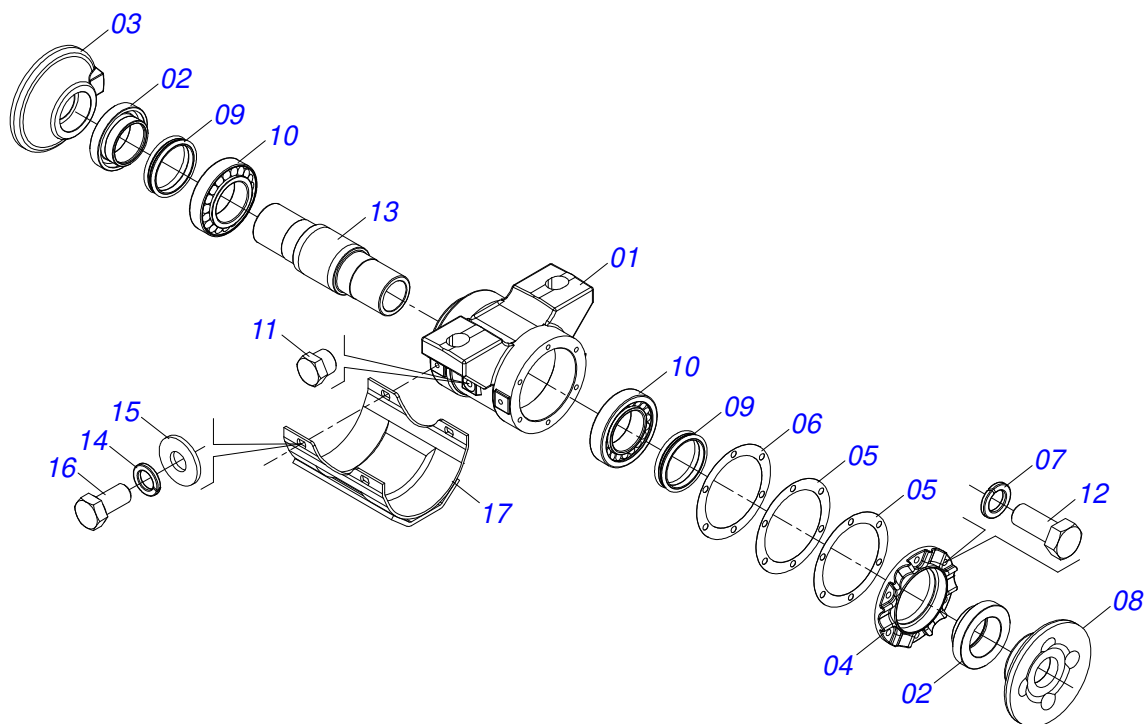
Item	Code	Description	See page	QT
01	0501040691	2-1/2" X 97" AXLE WITH NUTS		02
01A	0501010356	2-1/2" X 97" AXLE		02
01B	0502040064	2.1/2"SNC X 70 99 NUT		04
02	0501040690	2-1/2" X 80" AXLE WITH NUTS		02
02A	0501010357	2-1/2" X 80" AXLE		02
02B	0502040064	2.1/2"SNC X 70 99 NUT		04
03	0541010368	NUT LOCK		08
04	0502010592	2-1/2" INNER AXLE WASHER		04
05	0502010593	2-1/2" EXTERNAL AXLE WASHER		04
06	0503010232	5/8" X 1.3/4" BOLT		16
07	0501012140	FLAT WASHER		16
08	0503012412	5/8 UNC SELF LOCKING NUT		16
09	0521041291	OIL 430 X 2.1/2 BEARING ASSY	34	08
10	0501041301	1-1/4"X 5-3/4" ASSY BOLT		16
10A	0501010954	1-1/4" X 5-3/4" BOLT		01
10B	0501010953	1-1/4" SQUARE WASHER		01
10C	0531010713	FLAT WASHER		01
10D	0501010087	1.1/4" NUT		02
11	0502012220	2-1/2" X 17" SPACER		06
12.	0602048051	36" X 12MM NOTCHED DISC BLADE		22
12.	0602050002	39 X 12 NOTCHED DISC BLADE		22
12..	0602051003	40" X 12MM NOTCHED DISC BLADE		22



Item	Code	Description	See page	024	026	028	030
01	0501040691	2-1/2" X 97" AXLE WITH NUTS		004	002	000	000
01A	0501010356	2-1/2" X 97" AXLE		001	001	000	000
01B	0502040064	2.1/2"SNC X 70 99 NUT		002	002	000	000
02	0501040692	2-1/2" X 115" AXLE WITH NUTS		000	002	004	000
02A	0501010355	2-1/2" X 115" AXLE		000	001	001	000
02B	0502040064	2.1/2"SNC X 70 99 NUT		000	002	002	000
03	0501040690	2-1/2" X 80" AXLE WITH NUTS		000	000	000	006
03A	0501010357	2-1/2" X 80" AXLE		000	000	000	001
03B	0502040064	2.1/2"SNC X 70 99 NUT		000	000	000	002
04	0541010368	NUT LOCK		008	008	008	009
05	0502010592	2-1/2" INNER AXLE WASHER		004	004	004	006
06	0502010593	2-1/2" EXTERNAL AXLE WASHER		004	004	004	006
07	0503010232	5/8" X 1.3/4" BOLT		016	016	016	024
08	0501012140	FLAT WASHER		016	016	016	024
09	0503012412	5/8 UNC SELF LOCKING NUT		016	016	016	024
10	0521041291	OIL 430 X 2.1/2 BEARING ASSY	34	008	008	008	012
11	0501041301	1-1/4"X 5-3/4" ASSY BOLT		016	016	016	024
11A	0501010954	1-1/4" X 5-3/4" BOLT		001	001	001	001
11B	0501010953	1-1/4" SQUARE WASHER		001	001	001	001
11C	0531010713	FLAT WASHER		001	001	001	001
11D	0501010087	1.1/4" NUT		002	002	002	002
12	0502012220	2-1/2" X 17" SPACER		012	014	016	012
13	0602048062	36 X 12MM NOTCHED DISC		024	026	028	030
13.	0602050002	39 X 12 NOTCHED DISC BLADE		024	026	028	030
13..	0602051003	40" X 12MM NOTCHED DISC BLADE		024	026	028	030



Item	Code	Description	See page	032	034	036
01	0501040691	2-1/2" X 97" AXLE WITH NUTS		002	004	006
01A	0501010356	2-1/2" X 97" AXLE		001	001	001
01B	0502040064	2.1/2"SNC X 70 99 NUT		002	002	002
02	0501040690	2-1/2" X 80" AXLE WITH NUTS		004	002	000
02A	0501010357	2-1/2" X 80" AXLE		001	001	000
02B	0502040064	2.1/2"SNC X 70 99 NUT		002	002	000
03	0541010368	NUT LOCK		012	012	012
04	0502010592	2-1/2" INNER AXLE WASHER		006	006	006
05	0502010593	2-1/2" EXTERNAL AXLE WASHER		006	006	006
06	0503010232	5/8" X 1.3/4" BOLT		024	024	024
07	0501012140	FLAT WASHER		024	024	024
08	0503012412	5/8 UNC SELF LOCKING NUT		024	024	024
09	0521041291	OIL 430 X 2.1/2 BEARING ASSY	34	012	012	012
10	0501041301	1-1/4"X 5-3/4" ASSY BOLT		024	024	024
10A	0501010954	1-1/4" X 5-3/4" BOLT		001	001	001
10B	0501010953	1-1/4" SQUARE WASHER		001	001	001
10C	0531010713	FLAT WASHER		001	001	001
10D	0501010087	1.1/4" NUT		002	002	002
11	0502012220	2-1/2" X 17" SPACER		014	016	018
12	0602048062	36 X 12MM NOTCHED DISC		032	034	036
12.	0602050002	39 X 12 NOTCHED DISC BLADE		032	034	036
12..	0602051003	40" X 12MM NOTCHED DISC BLADE		032	034	036



Item	Code	Description	See page	QT
01	0502012415	HOUSING BEARING		01
02	0502040119	SEAL RETAINER		02
03	0502040165	INNER FLANGE		01
04	0502010644	HOUSING CAP DM		01
05	0503030537	8.3" X 6.3" X 0.01" JOINT		02
06	0503030687	8.3" X 6.3" X 0.004" JOINT		01
07	0503011440	SPRING WASHER		06
08	0502040164	OUTER FLANGE		01
09	0503030029	SEAL # LP JB-259		02
10	0503013243	32218 ROLLER BEARING		02
11	0503010856	OIL PLUG		02
12	0503010920	1/2" X 1.1/2" BOLT		06
13	0502040039	AXLE		01
14	0511017302	FLAT WASHER		04
15	0503010019	1/2" SPRING WASHER		04
16	0503010834	1/2 X 1 BOLT		04
17	0521062889	PROTECTION CAP		01
18	3402301247	MINERAL OIL GREASE		01



MARCHESAN

Technical Publications | Elaboration and Revision

ALESSANDRA PATRICIA KAWAHARA CARRILI

www.marchesan.com.br

