

OFFSET DISK HARROW

GASPCR-HD 9017 - AXIS 2.1/2" - MECHANICAL - 18/20/22D

Code: 0501092618
Series: S-0619
Revision: 00
Date Revision: FEVEREIRO/2022

PARTS CATALOGUE



MARCHESAN



PRODUCTS

Code	Description
0102090291	GASPCR-HD 9017 18X36X12,00 DM MEC S-0619
0102090292	GASPCR-HD 9017 18X38X12,00 DM MEC S-0619
0102090293	GASPCR-HD 9017 18X40X12,00 DM MEC S-0619
0102090297	GASPCR-HD 9017 20X36X12,00 DM MEC S-0619
0102090298	GASPCR-HD 9017 20X38X12,00 DM MEC S-0619
0102090299	GASPCR-HD 9017 20X40X12,00 DM MEC S-0619
0102090303	GASPCR-HD 9017 22X36X12,00 DM MEC S-0619
0102090304	GASPCR-HD 9017 22X38X12,00 DM MEC S-0619
0102090305	GASPCR-HD 9017 22X40X12,00 DM MEC S-0619

ATTENTION: IMPORTANT

Marchesan S.A. reserves the right to improve and/or modify the technical features of its products, without obligation to do the same with those products already sold and without prior knowledge of the dealer or the consumer. The photos are only illustrative.

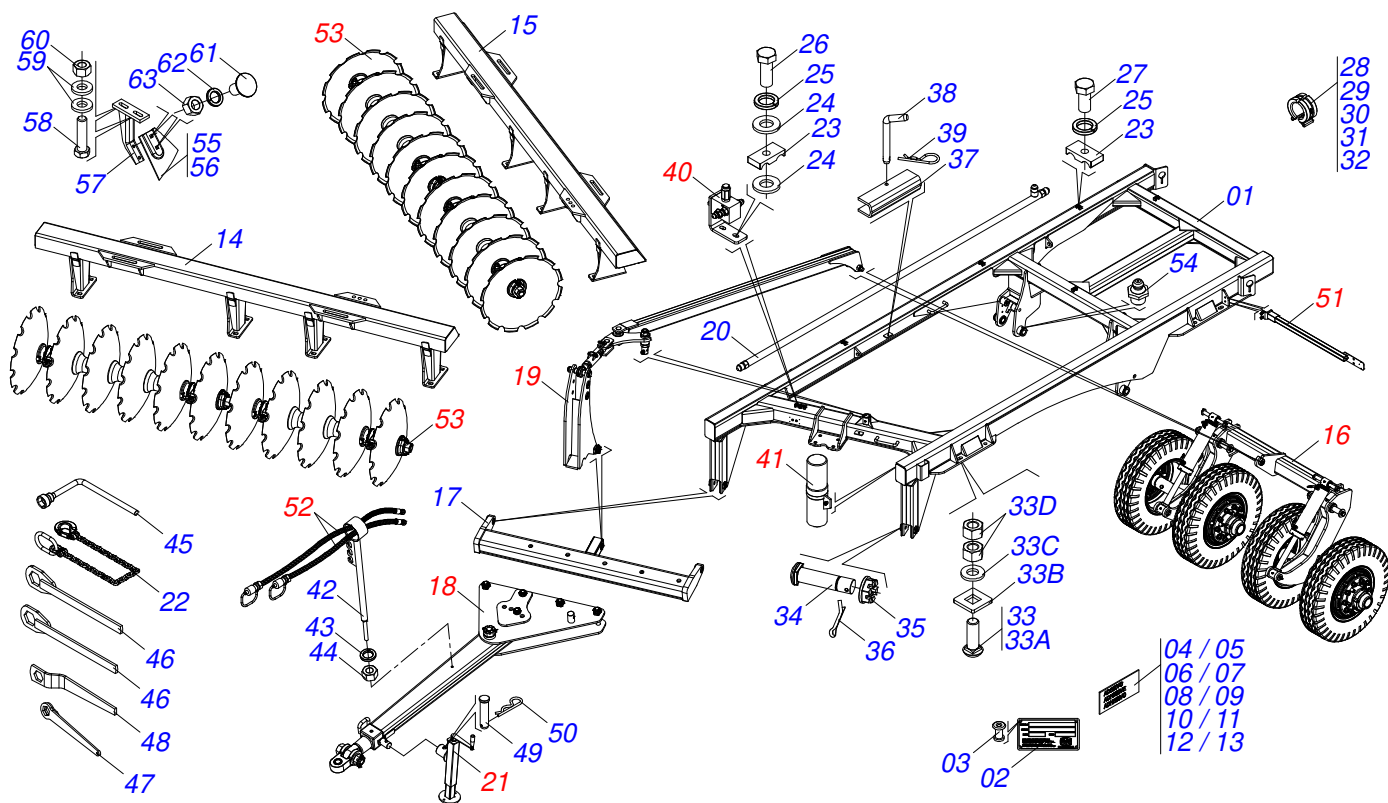


INDEX

0909098610	FRAME ASSY	1
0909098603	ASSY WHEEL	2
0501057120	WHEEL WITHOUT TIRE	3
0503061582	TIRE WHEELS	4
0521051832	HYDRAULIC CYLINDER 53,98 X 114,30 X 654 X 346	5
0909098604	HEAD ARTICULATED ASSY	6
0511059199	STABILIZER BAR REGULATOR EXTENSOR	7
0511048088	DRAWBAR JACK	8
0511059196	VALVE ASSY	9
0521052190	MANUAL CANISTER ASSY	10
0909093685	LANTERN FIXING ASSY	11
0909098605	HYDRAULIC CIRCUIT	12
0501053834	MALE QUICK COUPLER WITH CAP - 1/2 NPT	13
0909098607	SECTION DISC - 18D	14
0909098608	SECTION DISC - 20D	15
0909098609	SECTION DISC - 22D	16
0521041291	OIL 430 X 2.1/2 BEARING ASSY	17

FRAME ASSY

0909098610



Item	Code	Description	See page	18	20	22
01	0521066702	FRAME		01	01	01
02	0503034003	SERIAL NUMBER TAG 61 X 118		01	01	01
03	0503010001	3.2 X 5.5 RIVET		04	04	04
04	0503034078	LIFTING POINTS DECAL		04	04	04
05	0503031738	ADHESIVE LABEL		03	03	03
06	0503031739	ADHESIVE LABEL		01	01	01
07	0503034499	HOSE IDENTIFICATION DECAL		01	01	01
08	0503031428	READ MANUAL DECAL		01	01	01
09	0503031827	LUBRICATE AND RETIGHTEN DAILY DECAL		01	01	01
10	0503031087	ADHESIVE LABEL		01	01	01
11	0503033038	DANGER SIGN		01	01	01
12	0503034976	ADHESIVE LABEL		02	02	02
13	0503033428	ADHESIVE LABEL		02	02	02
14	0521062611	FRONT FRAME 18D		01	00	00
14.	0511067420	FRONT FRAME 20D		00	01	00
14..	0521062613	FRONT FRAME 22D		00	00	01
15	0521062614	REAR FRAME 18D		01	00	00
15.	0511067421	REAR FRAME 20D		00	01	00
15..	0521062615	REAR FRAME 22D		00	00	01
16	0909098603	ASSY WHEEL	2	01	01	01
17	0521066699	OFFSET BAR		01	01	01
18	0511041592	DRAWBAR ASSY		01	01	01
19	0909098604	HEAD ARTICULATED ASSY	6	01	01	01
20	0521066937	DUCT DISTRIBUTOR OF OIL		02	02	02
21	0511048088	DRAWBAR JACK	8	01	01	01
22	0503013150	1300 X 3/8 CHAIN		01	01	01
23	0502010477	HOSE CLAMP		05	05	05
24	0501012803	FLAT WASHER		04	04	04
25	0503010180	7/16" SPRING WASHER		04	04	04
26	0503011173	7/16" X 2" BOLT		02	02	02
27	0503011135	BOLT		03	03	03

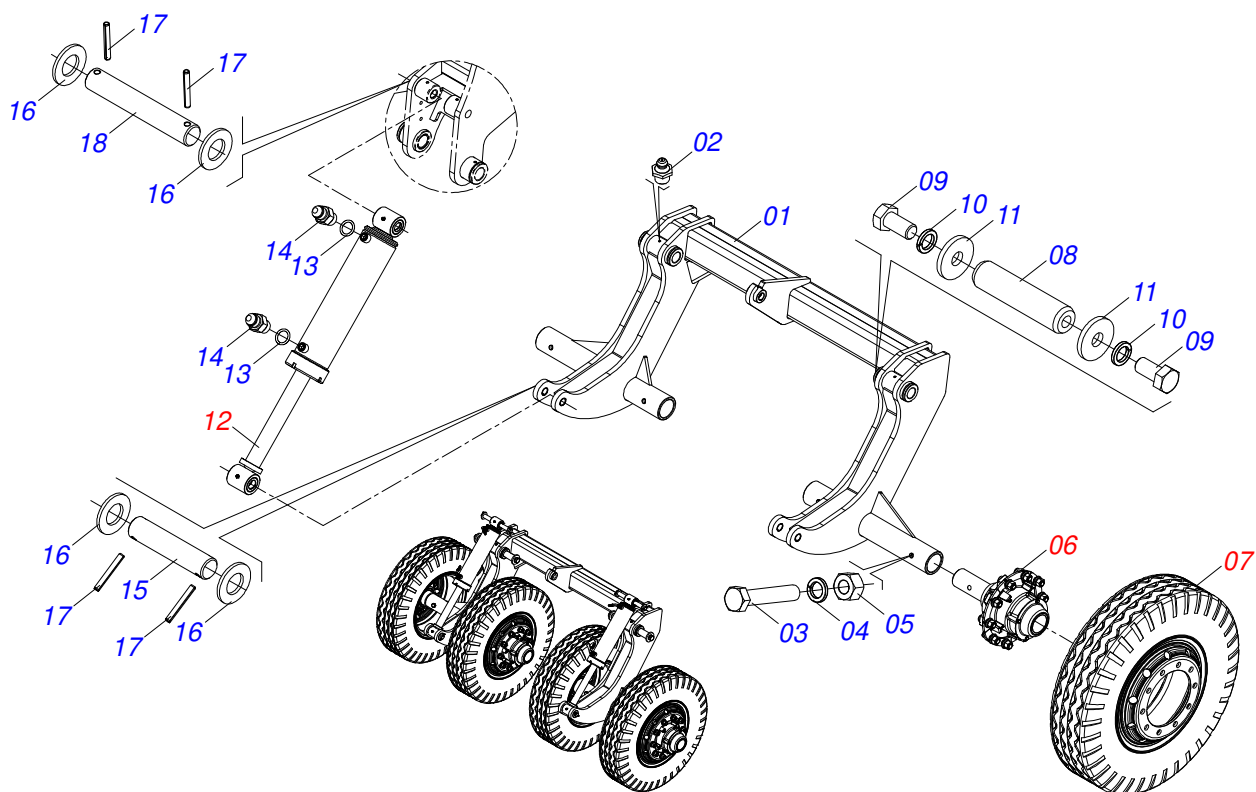


FRAME ASSY

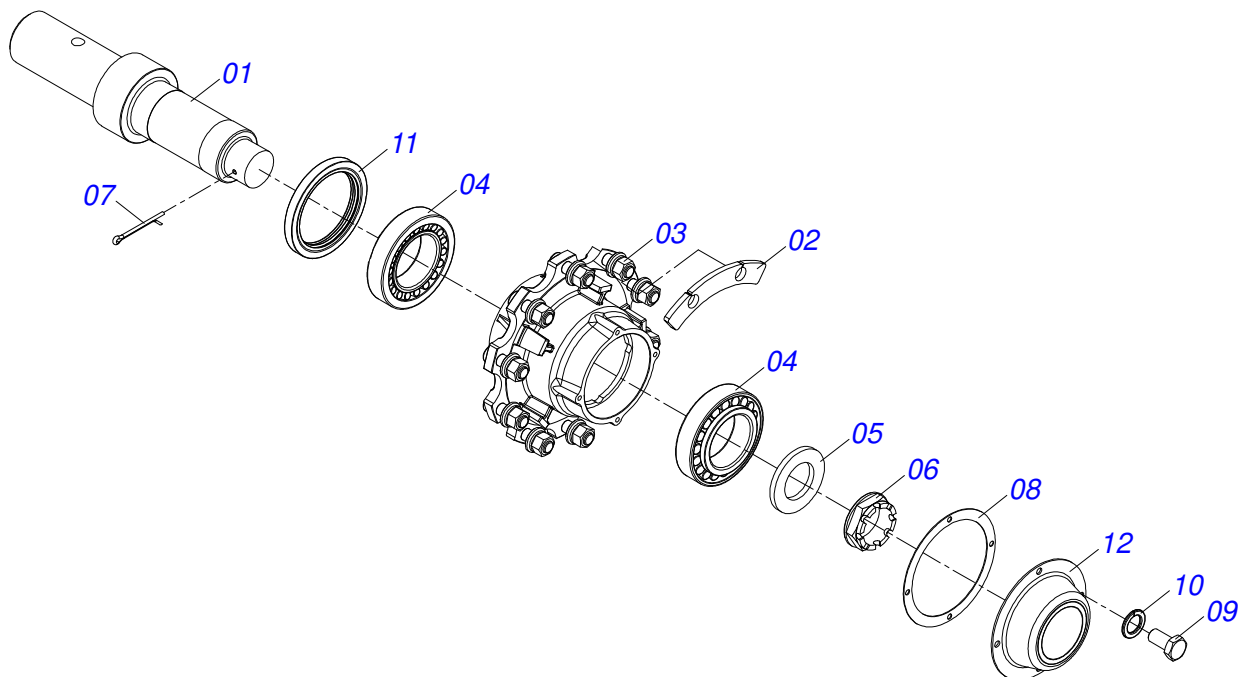
0909098610

Item	Code	Description	See page	18	20	22
28	0501047895	ROD STOP		04	04	04
29	0501047885	ROD STOP		02	02	02
30	0501047886	ROD STOP		02	02	02
31	0501047887	ROD STOP		02	02	02
32	0501047888	ROD STOP		02	02	02
33	0521040349	1-1/4" X 5.3/4" BOLT		08	08	08
33A	0501010954	1-1/4" X 5-3/4" BOLT		01	01	01
33B	0571010449	LOCK BOLT		01	01	01
33C	0571010448	SLEEVE 32,50 X 75 X 16		01	01	01
33D	0501010087	1.1/4" NUT		02	02	02
34	0541014119	37.5 X 195 COUPLING SHAFT		02	02	02
35	0501011301	1.1/2 UNC 6FPP 2.5/16 NUT		02	02	02
36	0503010010	1/4" X 2.1/2" COTTERPIN		02	02	02
37	0561016693	TRANSPORT LOCK		02	02	02
38	0541016844	FIXER LOCK		02	02	02
39	0503030285	HAIR PIN		02	02	02
40	0511059196	VALVE ASSY	9	01	01	01
41	0521052190	MANUAL CANISTER ASSY	10	01	01	01
42	0521062849	HOSE HOLDER ASSY		01	01	01
43	0503010023	3/4" SPRING WASHER		01	01	01
44	0503010014	3/4" NUT		01	01	01
45	0503016137	1-1/4" WRENCH CABLE CYLINDER		01	01	01
46	0501061044	2-1/8" AND 2-1/2" CABLE FLAT WRENCH		02	02	02
47	0521062858	1.1/4" WRENCH NUT		01	01	01
48	0501011432	1-1/2" AND 1-5/8 GANG BOLT WRENCH		01	01	01
49	0561014251	COUPLING SHAFT		01	01	01
50	0503030012	HAIR PIN		01	01	01
51	0909093685	LANTERN FIXING ASSY	11	01	01	01
52	0909098605	HYDRAULIC CIRCUIT	12	01	01	01
53	0909098607	SECTION DISC - 18D	14	01	00	00
53.	0909098608	SECTION DISC - 20D	15	00	01	00
53..	0909098609	SECTION DISC - 22D	16	00	00	01
54	0503010002	1800 GREASE FITTING		10	10	10
55	0521013678	FRONT CLEANER		09	10	11
56	0521013679	REAR CLEANER		09	10	11
57	0511064771	FRONT SCRAPER SUPPORT		18	20	22
58	0501010500	3/4"X3"BOLT		36	40	44
59	0541010763	FLAT WASHER		72	80	88
60	0503010014	3/4" NUT		41	45	49
61	0503012195	5/8" NUT		36	40	44
62	0503010027	5/8" SPRING WASHER		36	40	44
63	0503010013	5/8" NUT		36	40	44

ASSY WHEEL

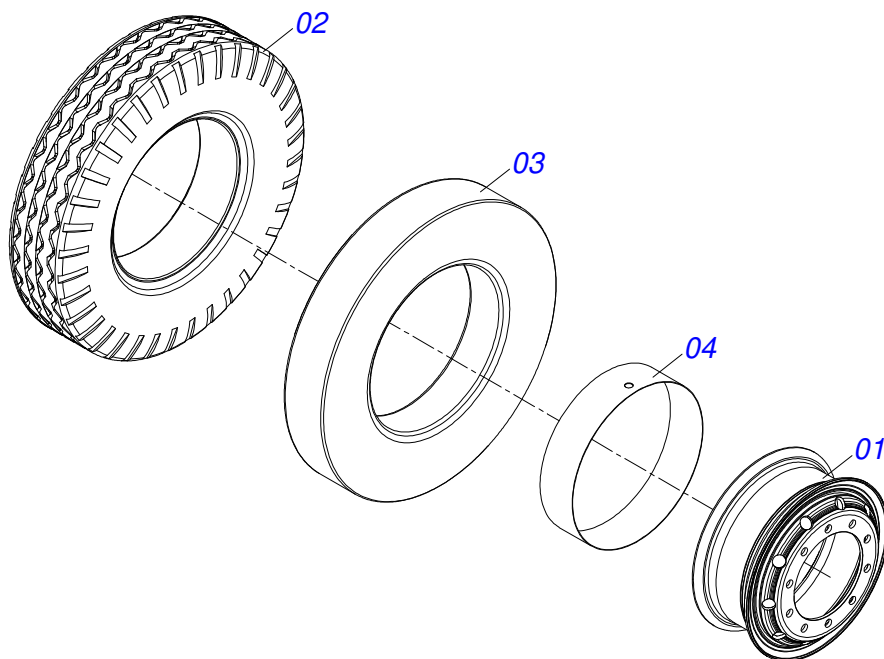


Item	Code	Description	See page	QT
01	0521066478	GCRO 7010 CARRYNG-WHEELS		01
02	0503010002	1800 GREASE FITTING		03
03	0503011198	C3/4" X 6" SCREW		04
04	0503010023	3/4" SPRING WASHER		04
05	0503010014	3/4" NUT		04
06	0501057120	WHEEL WITHOUT TIRE	3	04
07	0503061582	TIRE WHEELS	4	04
08	0531018062	COUPLING SHAFT		02
09	0503011250	1" X 2" BOLT		04
10	0503010012	1" SPRING WASHER		04
11	0521011565	FLAT WASHER		04
12	0521051832	HYDRAULIC CYLINDER 53,98 X 114,30 X 654 X 346	5	02
13	0503010190	2-114 N 3006-9B O'RING		04
14	0501010617	3/4" NIPPLE		04
15	0531018101	1.2" X 6.3" PIVOT SHAFT		02
16	0501017779	32 X 60 X 4.75 FLAT WASHER		08
17	0503011877	0.3" X 2.4" SPRING PIN		08
18	0531018105	1.2" X 11.8" PIVOT SHAFT		02

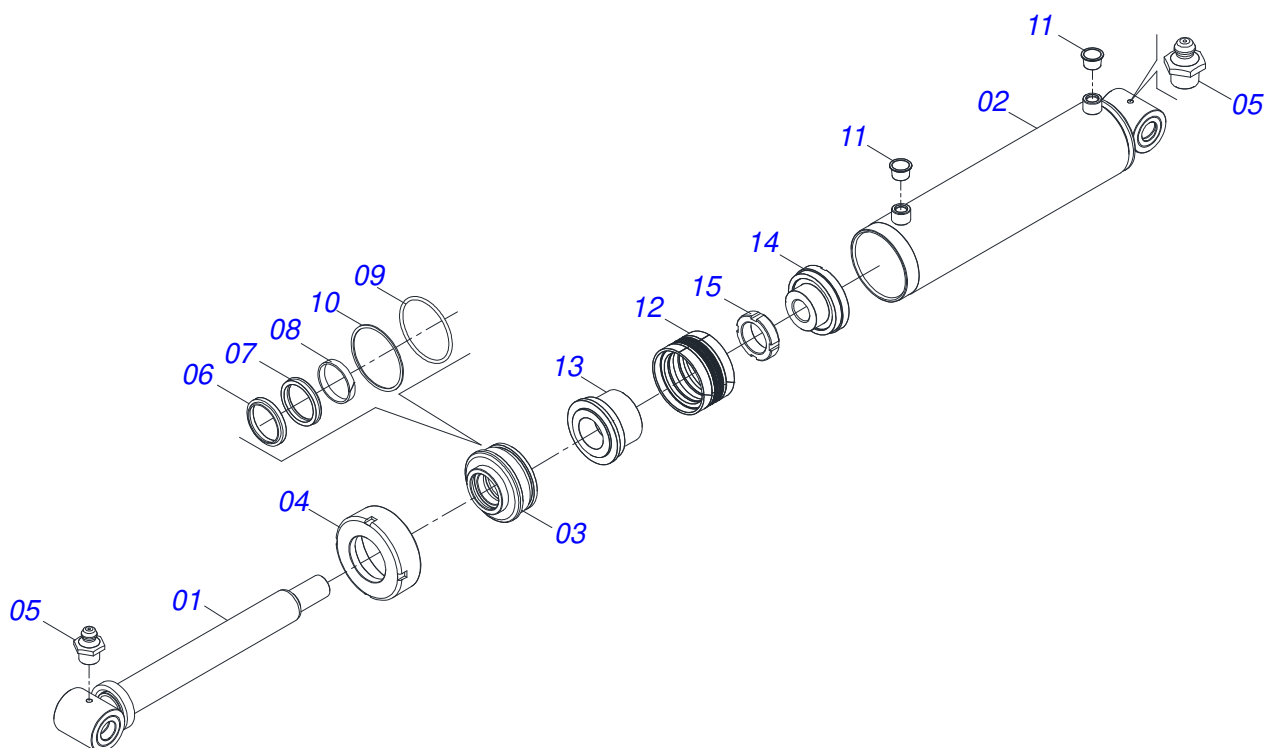


Item	Code	Description	See page	QT
01	0551011426	POINT AXIS R2.1/2UN		01
02	0561015521	FLANGE		05
03	0501110761	HUB AND BOLT		01
04	0503010118	32218 BEARING		02
05	0531019986	64 X 110 X 9.5 FLAT WASHER		01
06	0502040080	FLANGE NUT R.2.1/2 UN		01
07	0503012213	1/4" COTTERPIN		01
08	0503013548	JOINT CORK		01
09	0503013546	BOLT SX MA5,8 M10X1,5X20ZA DI		04
10	0503013542	M10 SPRING WASHER		04
11	0503013541	RETAINER		01
12	0503013549	HUB COVER		01

TIRE WHEELS

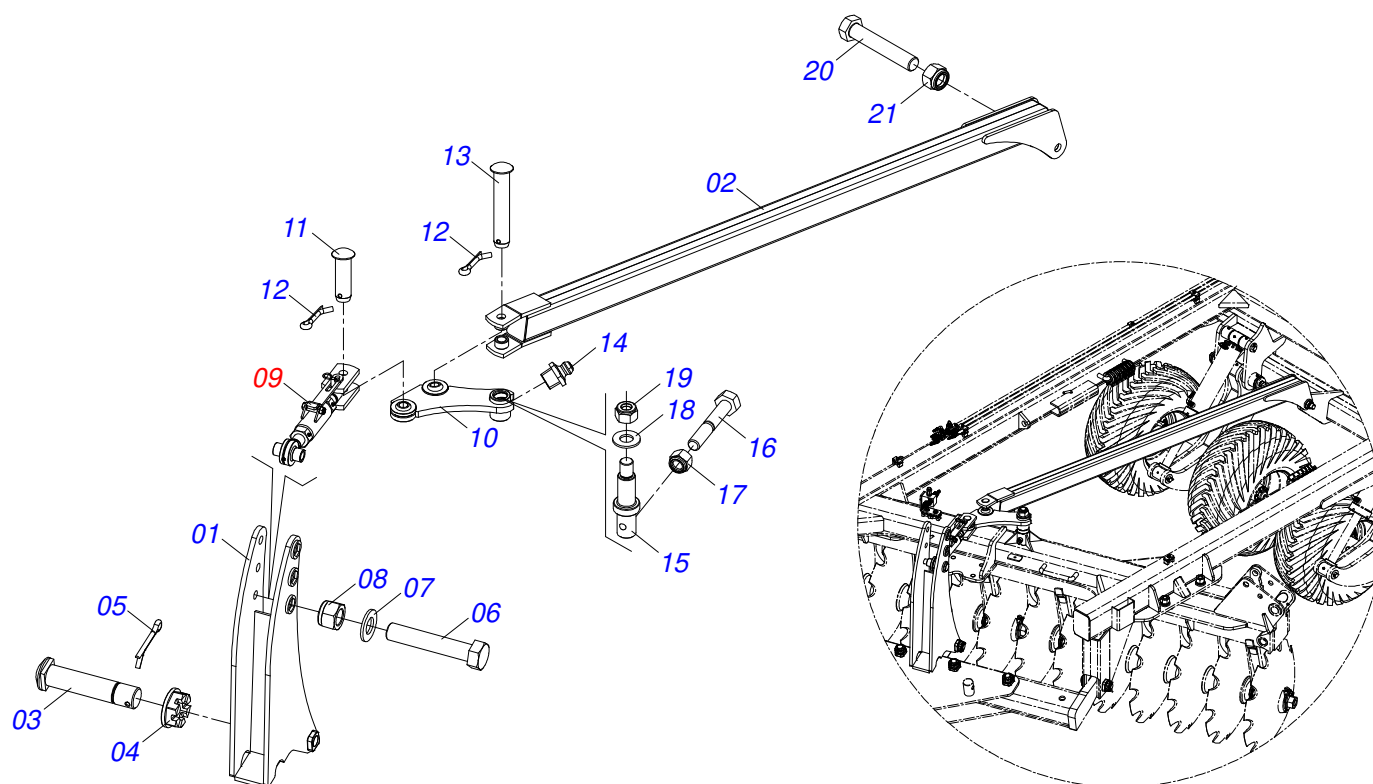


Item	Code	Description	See page	QT
01	0503014184	7.00 X 20" WHEEL		01
02	0503010494	9.0LX 20" X 14 PLY, TIRE		01
03	0503010057	INNER TIRE		01
04	0503010470	PROTECTION		01



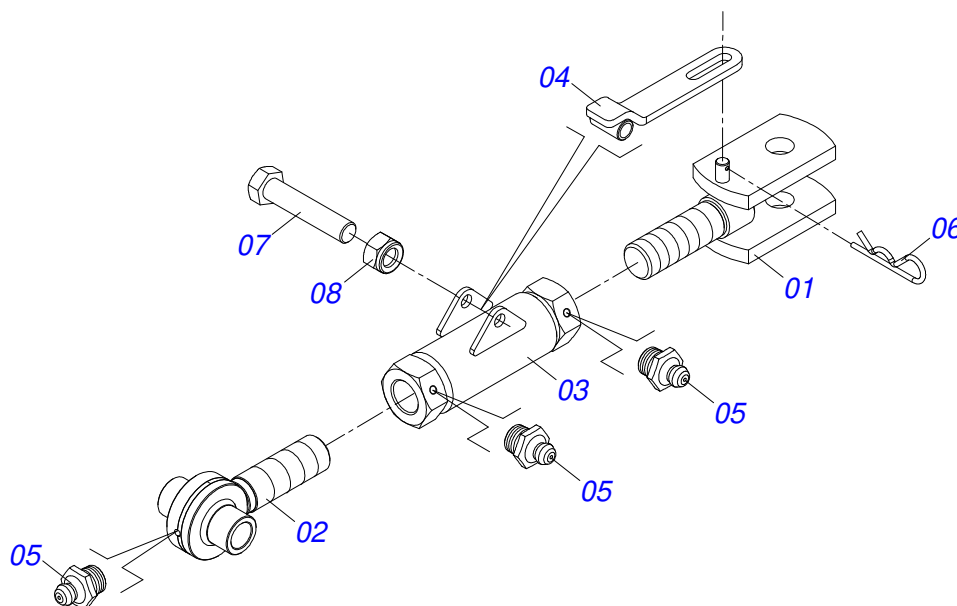
Item	Code	Description	See page	QT
01	0521061684	56,98 X 590,50 TURNBUCKLE		01
02	0521061685	114,30 X 500 CYLINDER CASE		01
03	0502012644	RING SUPPORT		01
04	0502011222	0.56" END CAP		01
05	0503010002	1800 GREASE FITTING		02
06	0503015715	SCRAPER SEALING		01
07	0503015642	U-CUP SEALING		01
08	0503015641	WEAR RING		00
09	0503011892	O' RING, 2-346 N 3006-9B		01
10	0503011893	BACK-UP RING, 8-346		01
11	0503030384	CON PLUG N-001		02
12	0503015640	SEALING SELEMASTER		01
13	0561016578	PISTON BODY		01
14	0581015283	BODY		01
15	0503819100	SCREW		01
16	0501038027	HYDRAULIC CYLINDER REPAIR KIT		01

HEAD ARTICULATED ASSY



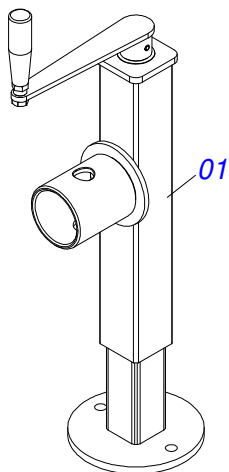
Item	Code	Description	See page	QT
01	0521066758	HEADER ARTICULATOR		01
02	0521066759	STABILIZER BAR		01
03	0521012053	1.5" X 8.6" AXLE		01
04	0501011301	1.1/2 UNC 6FPP 2.5/16 NUT		01
05	0503010010	1/4" X 2.1/2" COTTERPIN		01
06	0521017351	1-1/4" X 8" BOLT		01
07	0501017779	32 X 60 X 4.75 FLAT WASHER		01
08	0503010817	1.1/4" SELF LOCKING NUT		01
09	0511059199	STABILIZER BAR REGULATOR EXTENSOR	7	01
10	0521066960	ARTICULADOR STABILIZER BAR		01
11	0521010780	1.2" X 4.5" COUPLING SHAFT		01
12	0503010523	1/4" X 2" COTTERPIN		02
13	0581811919	AXIS JUNCTION		01
14	0503010002	1800 GREASE FITTING		01
15	0581011775	EJE PIVOT SHAFT STABILIZER BAR		01
16	0501010216	3/4" X 4-1/2" BOLT		01
17	0503011075	3/4" UNC NUT		01
18	0501010287	FLAT WASHER		01
19	0503010290	SELF ADJUSTING 1.1/2" UNF NUT		01
20	0503013321	SCREW 1.1/4 UNF X 7 C S G.8 ZN		01
21	0503010817	1.1/4" SELF LOCKING NUT		01

STABILIZER BAR REGULATOR EXTENSOR



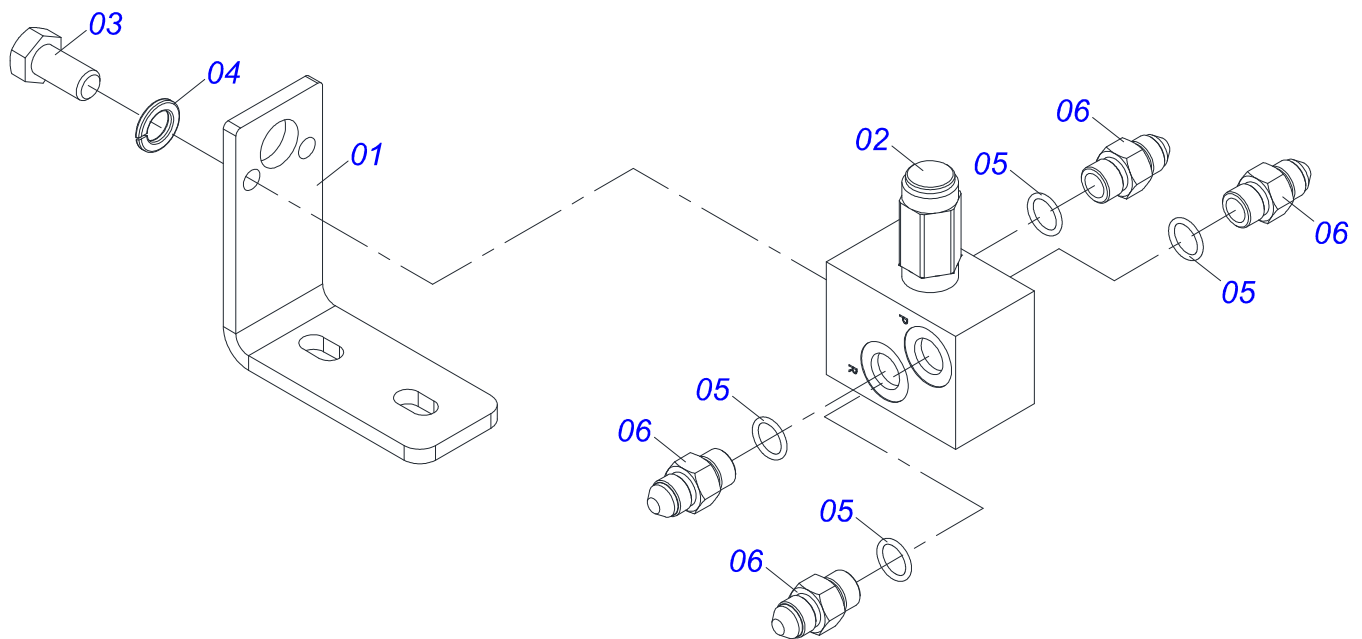
Item	Code	Description	See page	QT
01	0521066962	JACK CRANK C/O. R.1.3/4 ESQUERDO		01
02	0521066965	JACK CRANK NUT FIXER R.1.3/4 UNC DIREITO		01
03	0521066963	ADJUSTMENT NUT R.1.3/4 UNC (245)		01
04	0521066964	LEVER STABILIZER OF TENSOR REGULATOR		01
05	0503010002	1800 GREASE FITTING		03
06	0503030285	HAIR PIN		01
07	0503010806	5/8" X 3" BOLT		01
08	0503010878	5/8" SELF ALIGNING NUT		01

DRAWBAR JACK

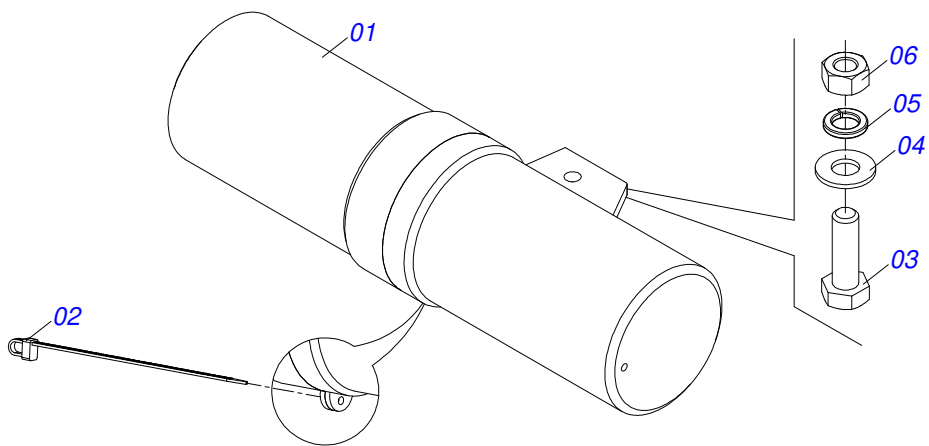


Item	Code	Description	See page	QT
01	0503062227	DRAWBAR JACK		01

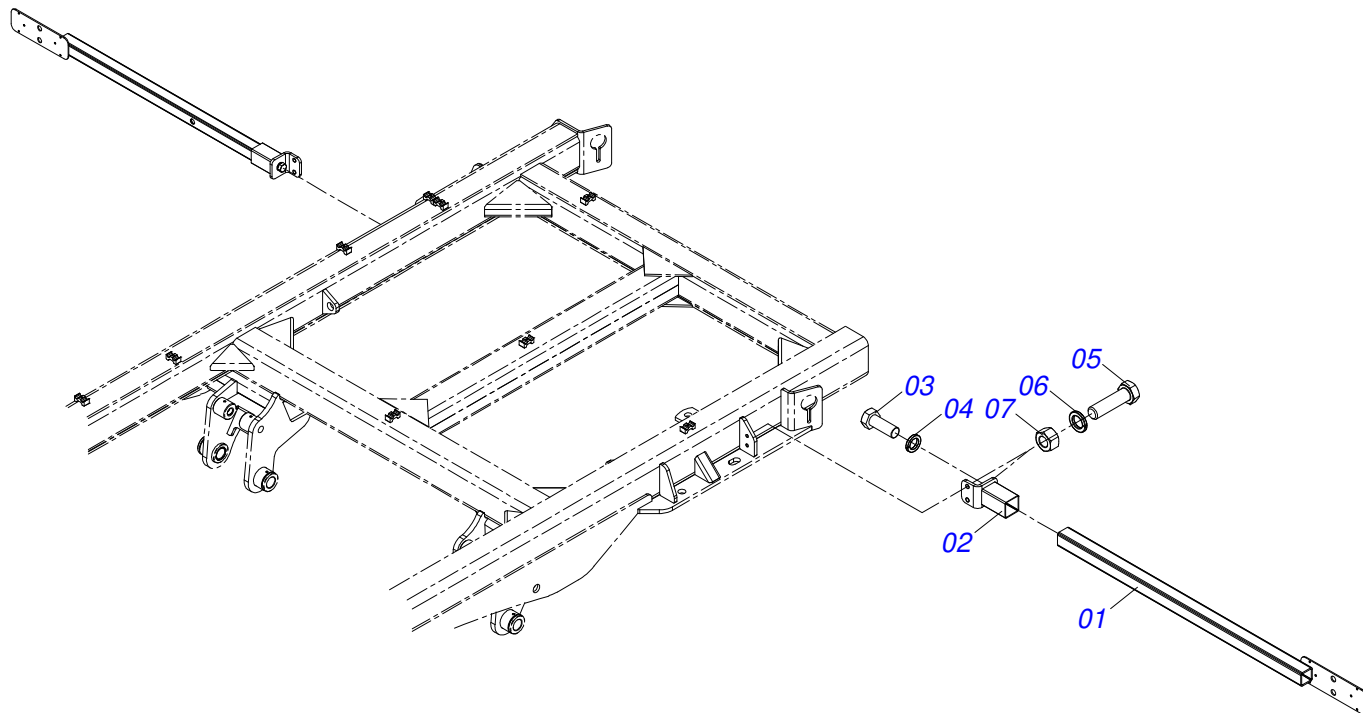
VALVE ASSY



Item	Code	Description	See page	QT
01	0581011745	VALVE SUPPORT		01
02	0503010919	DISCHARGE VALVE		01
03	0503011334	BOLT 3/8 UNC X 3/4 CS G.5 ZN		02
04	0503010025	3/8" SPRING WASHER		02
05	0503010190	2-114 N 3006-9B O'RING		04
06	0501010617	3/4" NIPPLE		04

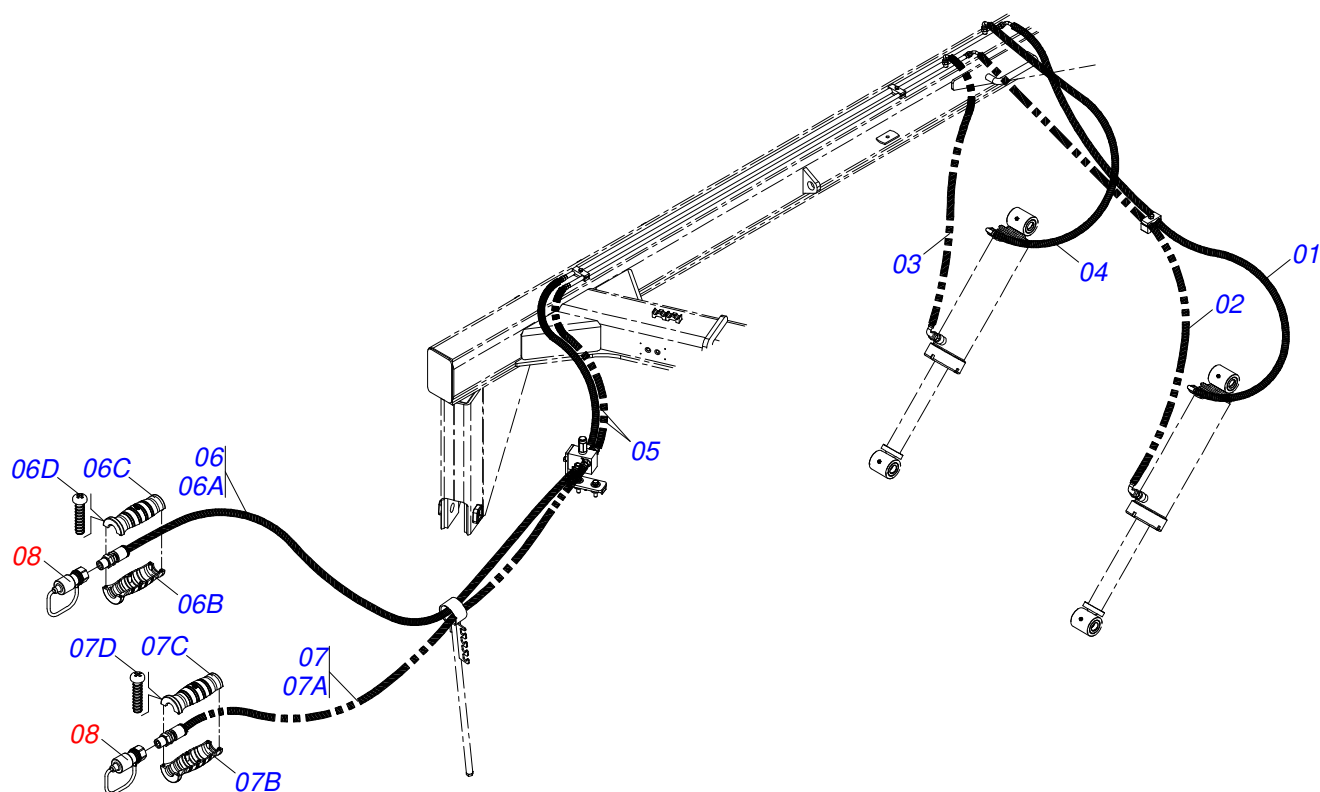


Item	Code	Description	See page	QT
01	0503060100	OPERATOR'S MANUAL STORAGE TUBE		01
02	0503010267	NYLON CLAMP		01
03	0503010363	5/16" X 1" BOLT		01
04	0501010694	8.5 X 18 X 1.5 FLAT WASHER		01
05	0503010179	5/16" ZN SPRING WASHER		01
06	0503010337	5/16" NUT		01

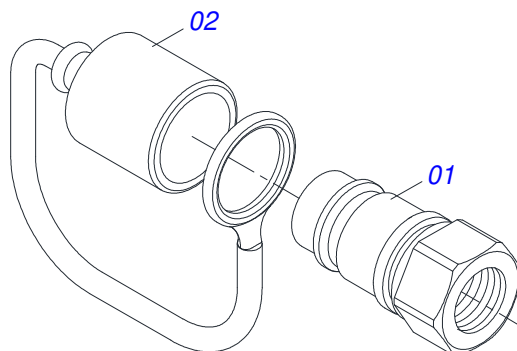


Item	Code	Description	See page	QT
01	0521066443	SUPPORT FIXER LANTERN		02
02	0521066624	FIXER SUPPORT LANTERN		02
03	0501010098	3/4" UNC BOLT		02
04	0503010023	3/4" SPRING WASHER		02
05	0503011082	C1/2" X 1.3/4" SCREW		04
06	0503010019	1/2" SPRING WASHER		04
07	0503010060	1/2" NUT		04

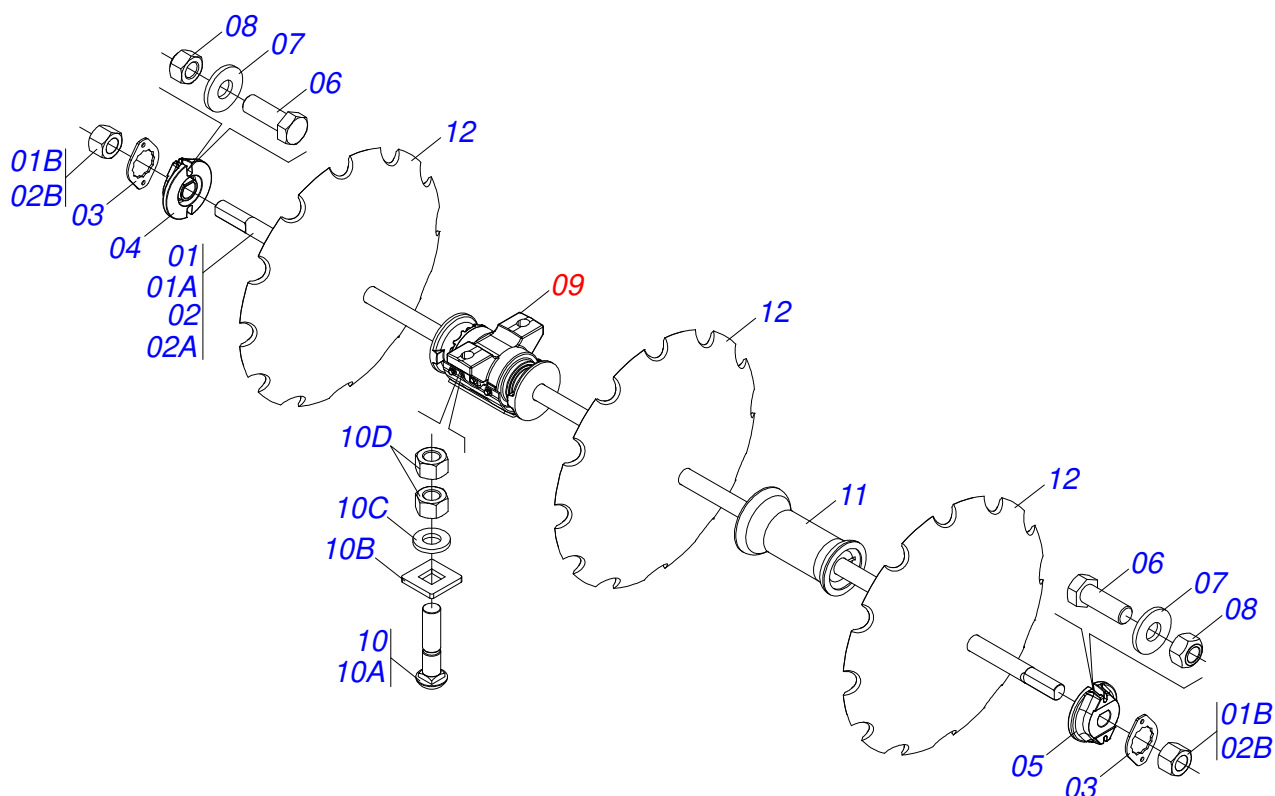
HYDRAULIC CIRCUIT



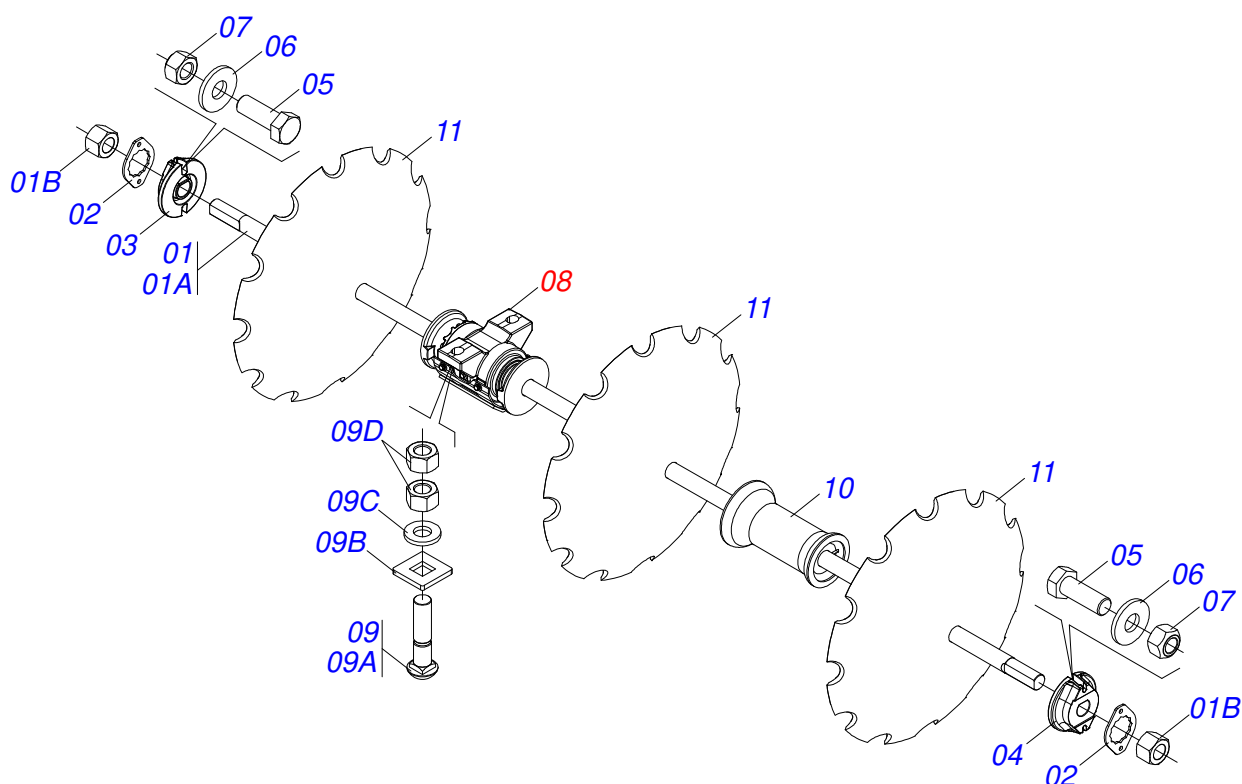
Item	Code	Description	See page	QT
01	0501080393	3/8 X 2200 TC-TC HOSE		01
02	0501080432	3/8 X 2600 TC-TC HOSE ASSY		01
03	0501080065	3/8 X 1200 TC-TC HOSE		01
04	0501080931	3/8" X 39" TC-TC HOSE ASSY		01
05	0501080106	TR-TR HOSE ASSY		02
06	0521052495	HOSE 3/8 X 5500 TR-TM BLACK/RED		01
06A	0501080205	HOSE 3/8 X 5500 TR-TM		01
06B	0503034492	HYDRAULIC HOSE GRIP (BLACK)		01
06C	0503034495	HYDRAULIC HOSE GRIP (RED)		01
06D	0503018952	PLASTIC BOLT		06
07	0521052496	HOSE 3/8 X 5500 TR-TM BLACK/BLUE		01
07A	0501080205	HOSE 3/8 X 5500 TR-TM		01
07B	0503034492	HYDRAULIC HOSE GRIP (BLACK)		01
07C	0503034494	HYDRAULIC HOSE GRIP (BLUE)		01
07D	0503018952	PLASTIC BOLT		06
08	0501053834	MALE QUICK COUPLER WITH CAP - 1/2 NPT	13	02



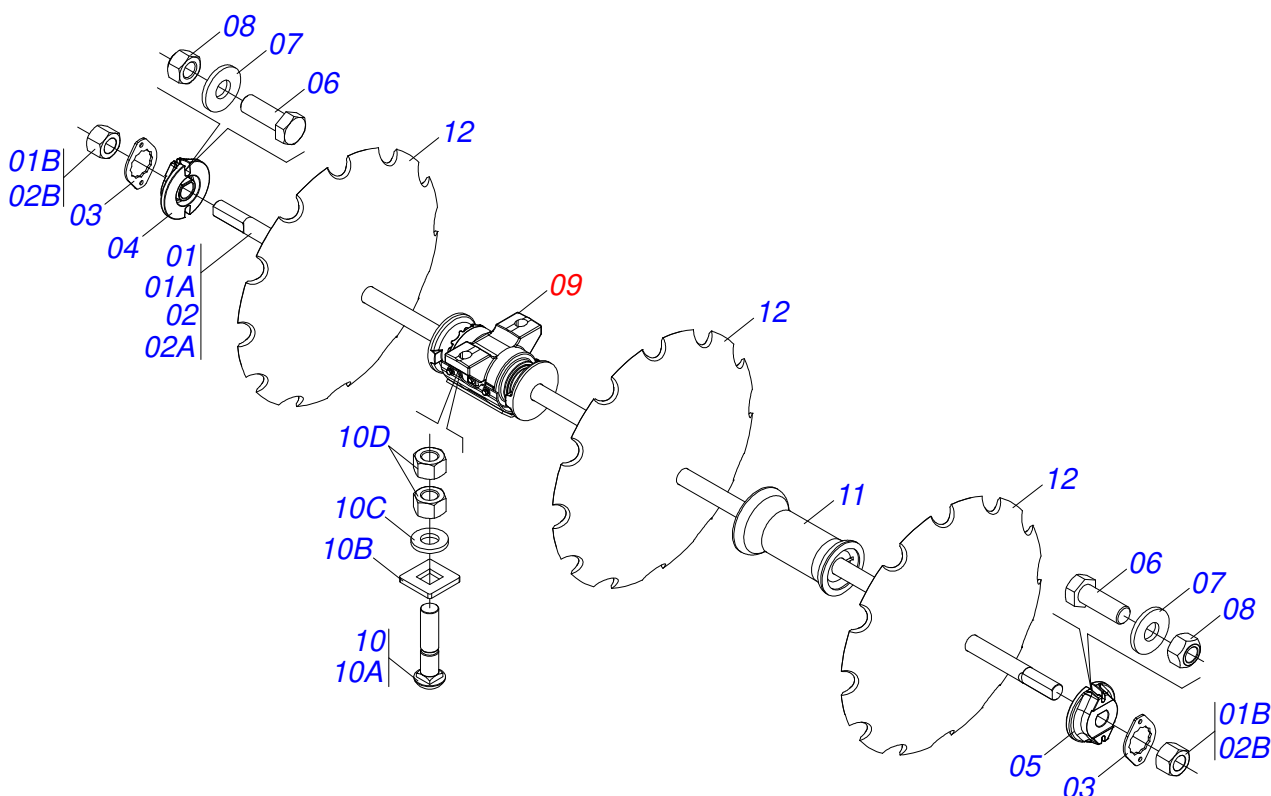
Item	Code	Description	See page	QT
01	0503011627	MALE QUICK COUPLER AGR 1/2 NPT		01
02	0503011882	MALE QUICK COUPLER CAP		01



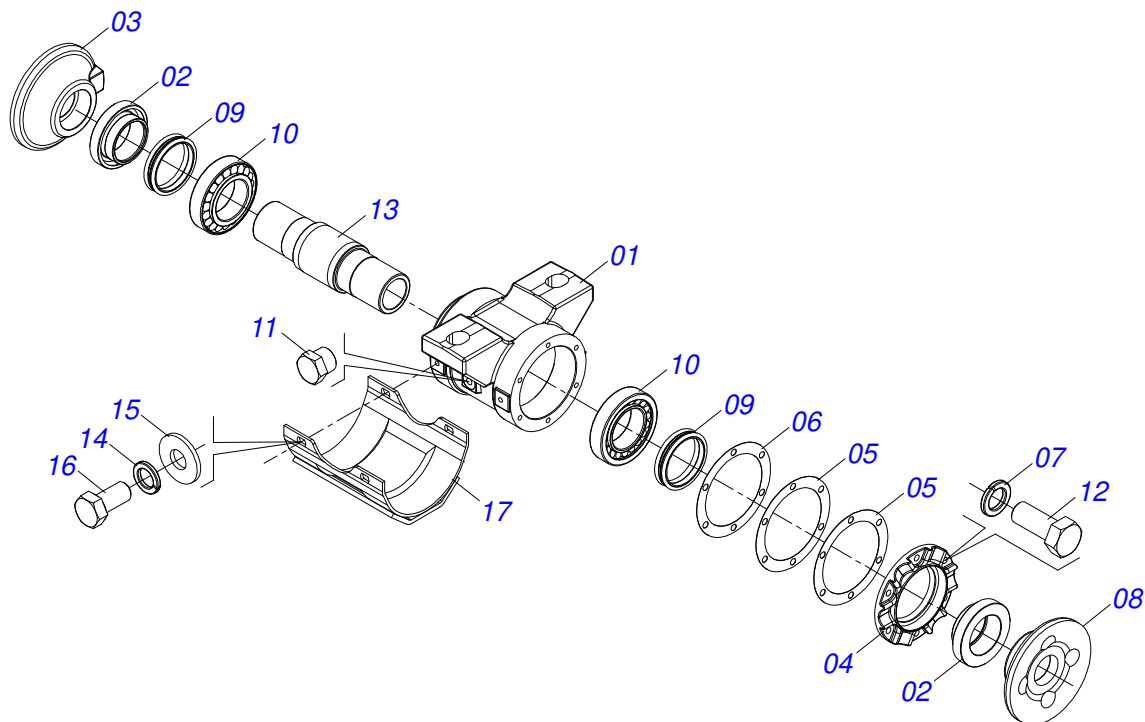
Item	Code	Description	See page	QT
01	0501040693	2-1/2" X 63" AXLE WITH NUTS		02
01A	0501010358	2-1/2" X 63" AXLE		02
01B	0502040064	2.1/2"SNC X 70 99 NUT		04
02	0501040690	2-1/2" X 80" AXLE WITH NUTS		02
02A	0501010357	2-1/2" X 80" AXLE		02
02B	0502040064	2.1/2"SNC X 70 99 NUT		04
03	0541010368	NUT LOCK		08
04	0502010592	2-1/2" INNER AXLE WASHER		04
05	0502010593	2-1/2" EXTERNAL AXLE WASHER		04
06	0503010232	5/8" X 1.3/4" BOLT		16
07	0501012140	FLAT WASHER		16
08	0503012412	5/8 UNC SELF LOCKING NUT		16
09	0521041291	OIL 430 X 2.1/2 BEARING ASSY	17	08
10	0501041301	1-1/4"X 5-3/4" ASSY BOLT		16
10A	0501010954	1-1/4" X 5-3/4" BOLT		01
10B	0501010953	1-1/4" SQUARE WASHER		01
10C	0531010713	FLAT WASHER		01
10D	0501010087	1.1/4" NUT		02
11	0502012220	2-1/2" X 17" SPACER		06
12.	0602048051	36" X 12MM NOTCHED DISC BLADE		18
12.	0602050002	39 X 12 NOTCHED DISC BLADE		18
12..	0602051003	40" X 12MM NOTCHED DISC BLADE		18



Item	Code	Description	See page	QT
01	0501040690	2-1/2" X 80" AXLE WITH NUTS		04
01A	0501010357	2-1/2" X 80" AXLE		04
01B	0502040064	2.1/2"SNC X 70 99 NUT		04
02	0541010368	NUT LOCK		08
03	0502010592	2-1/2" INNER AXLE WASHER		04
04	0502010593	2-1/2" EXTERNAL AXLE WASHER		04
05	0503010232	5/8" X 1.3/4" BOLT		16
06	0501012140	FLAT WASHER		16
07	0503012412	5/8 UNC SELF LOCKING NUT		16
08	0521041291	OIL 430 X 2.1/2 BEARING ASSY	17	08
09	0501041301	1-1/4"X 5-3/4" ASSY BOLT		16
09A	0501010954	1-1/4" X 5-3/4" BOLT		01
09B	0501010953	1-1/4" SQUARE WASHER		01
09C	0531010713	FLAT WASHER		01
09D	0501010087	1.1/4" NUT		02
10	0502012220	2-1/2" X 17" SPACER		06
11	0602048051	36" X 12MM NOTCHED DISC BLADE		20
11.	0602050002	39 X 12 NOTCHED DISC BLADE		20
11..	0602048001	36"X 0.3"9 NOTCHED DISC BLADE		20
11...	0602051003	40" X 12MM NOTCHED DISC BLADE		20



Item	Code	Description	See page	QT
01	0501040691	2-1/2" X 97" AXLE WITH NUTS		02
01A	0501010356	2-1/2" X 97" AXLE		02
01B	0502040064	2.1/2"SNC X 70 99 NUT		04
02	0501040690	2-1/2" X 80" AXLE WITH NUTS		02
02A	0501010357	2-1/2" X 80" AXLE		02
02B	0502040064	2.1/2"SNC X 70 99 NUT		04
03	0541010368	NUT LOCK		08
04	0502010592	2-1/2" INNER AXLE WASHER		04
05	0502010593	2-1/2" EXTERNAL AXLE WASHER		04
06	0503010232	5/8" X 1.3/4" BOLT		16
07	0501012140	FLAT WASHER		16
08	0503012412	5/8 UNC SELF LOCKING NUT		16
09	0521041291	OIL 430 X 2.1/2 BEARING ASSY	17	08
10	0501041301	1-1/4"X 5-3/4" ASSY BOLT		16
10A	0501010954	1-1/4" X 5-3/4" BOLT		01
10B	0501010953	1-1/4" SQUARE WASHER		01
10C	0531010713	FLAT WASHER		01
10D	0501010087	1.1/4" NUT		02
11	0502012220	2-1/2" X 17" SPACER		06
12	0602048051	36" X 12MM NOTCHED DISC BLADE		22
12.	0602050002	39 X 12 NOTCHED DISC BLADE		22
12..	0602051003	40" X 12MM NOTCHED DISC BLADE		22



Item	Code	Description	See page	QT
01	0502012415	HOUSING BEARING		01
02	0502040119	SEAL RETAINER		02
03	0502040165	INNER FLANGE		01
04	0502010644	HOUSING CAP DM		01
05	0503030537	8.3" X 6.3" X 0.01" JOINT		02
06	0503030687	8.3" X 6.3" X 0.004" JOINT		01
07	0503011440	SPRING WASHER		06
08	0502040164	OUTER FLANGE		01
09	0503030029	SEAL # LP JB-259		02
10	0503013243	32218 ROLLER BEARING		02
11	0503010856	OIL PLUG		02
12	0503010920	1/2" X 1.1/2" BOLT		06
13	0502040039	AXLE		01
14	0511017302	FLAT WASHER		04
15	0503010019	1/2" SPRING WASHER		04
16	0503010834	1/2 X 1 BOLT		04
17	0521062889	PROTECTION CAP		01
18	3402301247	MINERAL OIL GREASE		01



MARCHESAN

Technical Publications | Elaboration and Revision

ALESSANDRA PATRICIA KAWAHARA CARRILI

www.marchesan.com.br

