

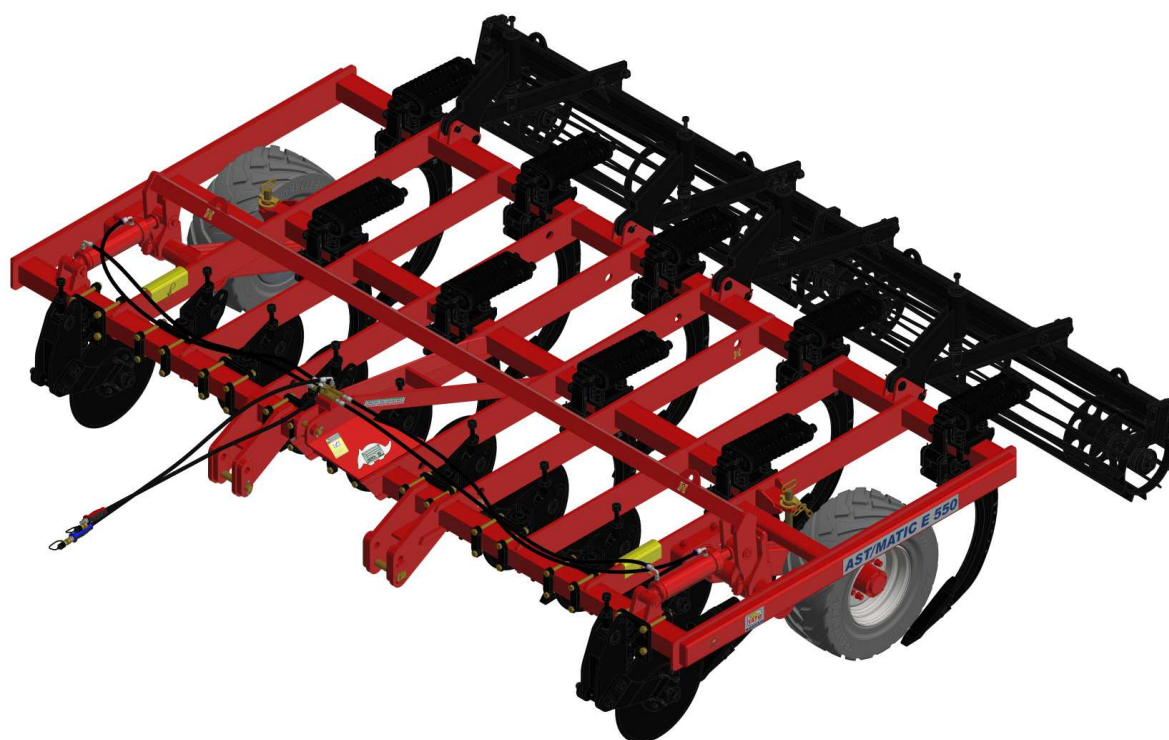
SUBSOILER PLOW

Code:

0501092614

Product:

AST/MATIC E550 3P - 05/07/09 SHANKS

**Series:**

S-0319

Revision:

00

Date Revision:

NOVEMBRO/2019



PRODUCTS

Code	Description	
0101170237	AST/MATIC E 550 3P 5H	S-0319
0101170236	AST/MATIC E 550 3P 5H DC	S-0319
0101170235	AST/MATIC E 550 3P 5H DC RD	S-0319
0101170238	AST/MATIC E 550 3P 5H RD	S-0319
0101170245	AST/MATIC E 550 3P 7H	S-0319
0101170244	AST/MATIC E 550 3P 7H DC	S-0319
0101170243	AST/MATIC E 550 3P 7H DC RD	S-0319
0101170246	AST/MATIC E 550 3P 7H RD	S-0319
0101170253	AST/MATIC E 550 3P 9H	S-0319
0101170252	AST/MATIC E 550 3P 9H DC	S-0319
0101170251	AST/MATIC E 550 3P 9H DC RD	S-0319
0101170254	AST/MATIC E 550 3P 9H RD	S-0319

ATTENTION: IMPORTANT

Marchesan S.A. reserves the right to improve and / or modify the technical features of its products, without obligation to do the same with those products already sold and without prior knowledge of the dealer or the consumer.

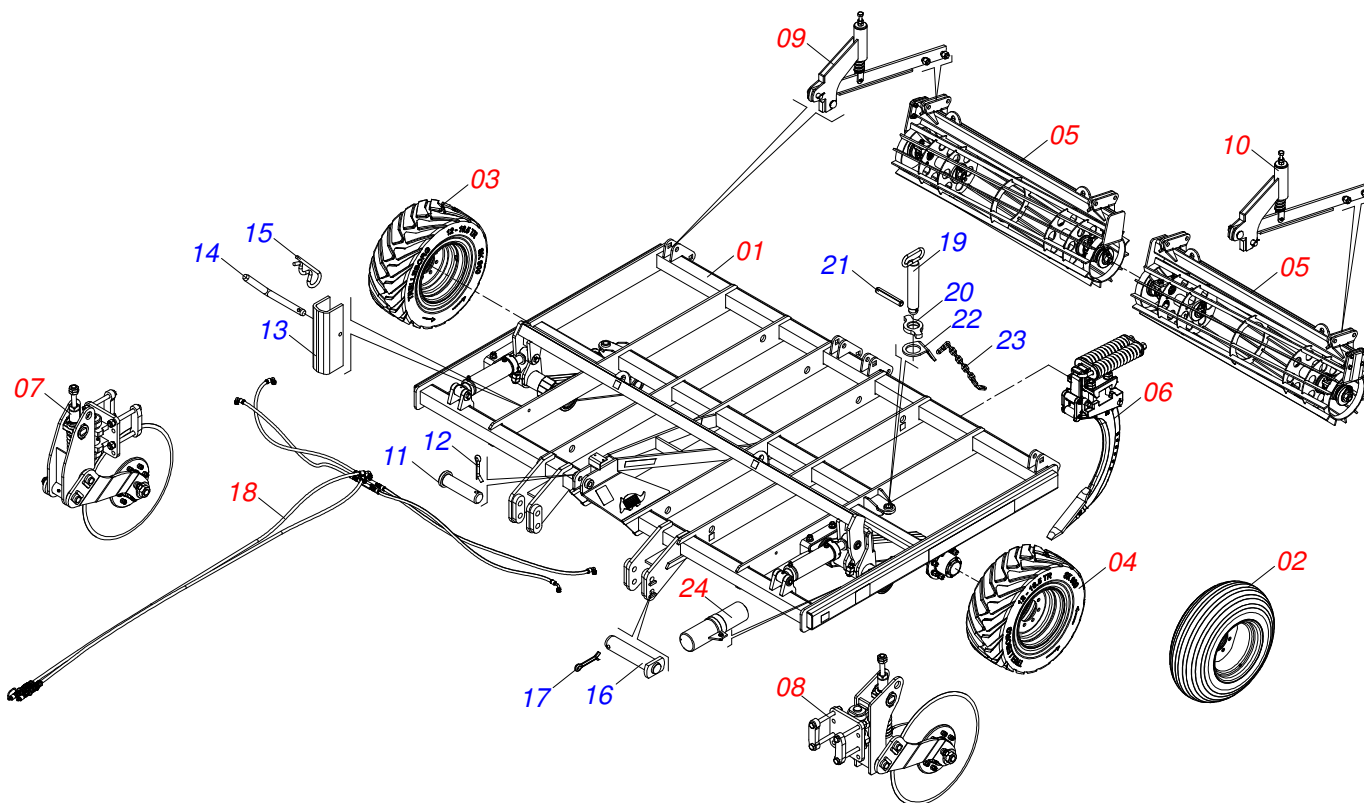


MARCHESAN

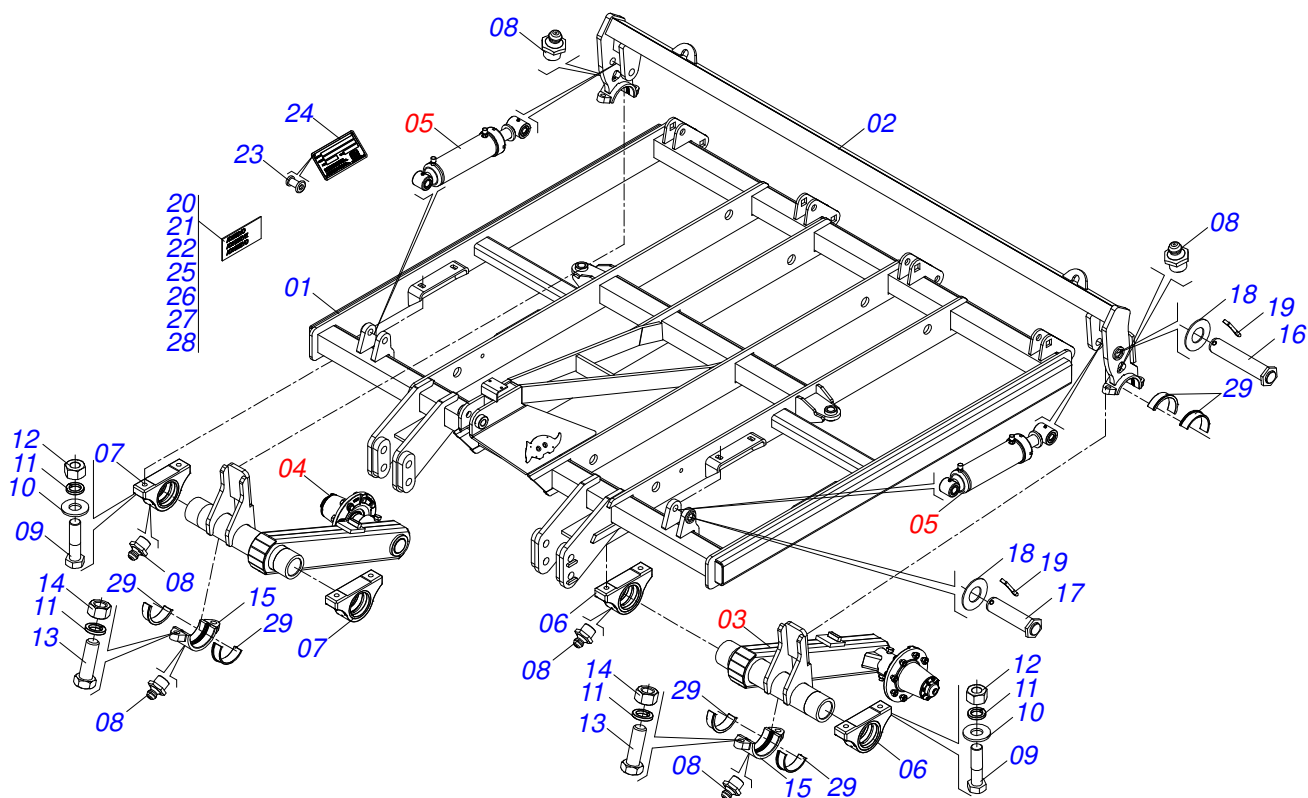
INDEX

0909098599	FRAME ASSY	1
0521055448	SEMI MOUNTED FRAME 5H	2
0521053880		3
0521055451	LEFT BRACKET WITH CUBE WHEEL	4
0521055452	RIGHT BRACKET WITH CUBE WHEEL	5
0521055518	WHEEL WITHOUT TIRE	6
0521049702	ROD ASSY SYSTEM	7
0521053332	HYDRAULIC CYLINDER 50,8 X 101,6 X 566,5 X 251,5	8
0521055482	SEMI MOUNTED FRAME 7H	9
0521055485	LEFT BRACKET WITH CUBE WHEEL	10
0521055486	RIGHT BRACKET WITH CUBE WHEEL	11
0511059615	ASSY CUBE	12
0521055487	SEMI MOUNTED FRAME 9H	13
0503060414	WHEEL AND TIRE	14
0521055484	WHEEL WITH TIRE 12X16,5 -12 CANVAS (LEFT)	15
0521054068	WHEEL WITH TIRE 12 X 16.5 - 12 CANVAS (RIGHT)	16
0521055449	ASSY DESTROYER ROLLER (1265)	17
0521055483	ASSY DESTROYER ROLLER (1800)	18
0521055488	ASSY DESTROYER ROLLER (2280)	19
0501046922	7.5" X 1-1/4" OIL BATH BEARING	20
0511045977	ROD ASSY SYSTEM	21
0501052884	1" X 23.03" FASTENER	22
0521055494	ASSY DC FRONT	23
0521044568	BLADE DISC FRONT	24
0511053370	24" X 7,5 BLADE DISC ASSY	25
0501057526	DISC HUB	26
0521055495	ASSY DC REAR	27
0521044567	REAR BLADE DISC ASSY	28
0521055491	ASSY ARM RIGHT DESTROYER ROLLER	29
0521057120	ASSY ARM LEFT DESTROYER ROLLER	30
0909098600	HYDRAULIC CIRCUIT	31
0501053834	MALE QUICK COUPLER WITH CAP - 1/2 NPT	32
0521055450	MANUAL CANISTER ASSY	33
0521055503	MANUAL CANISTER ASSY	34

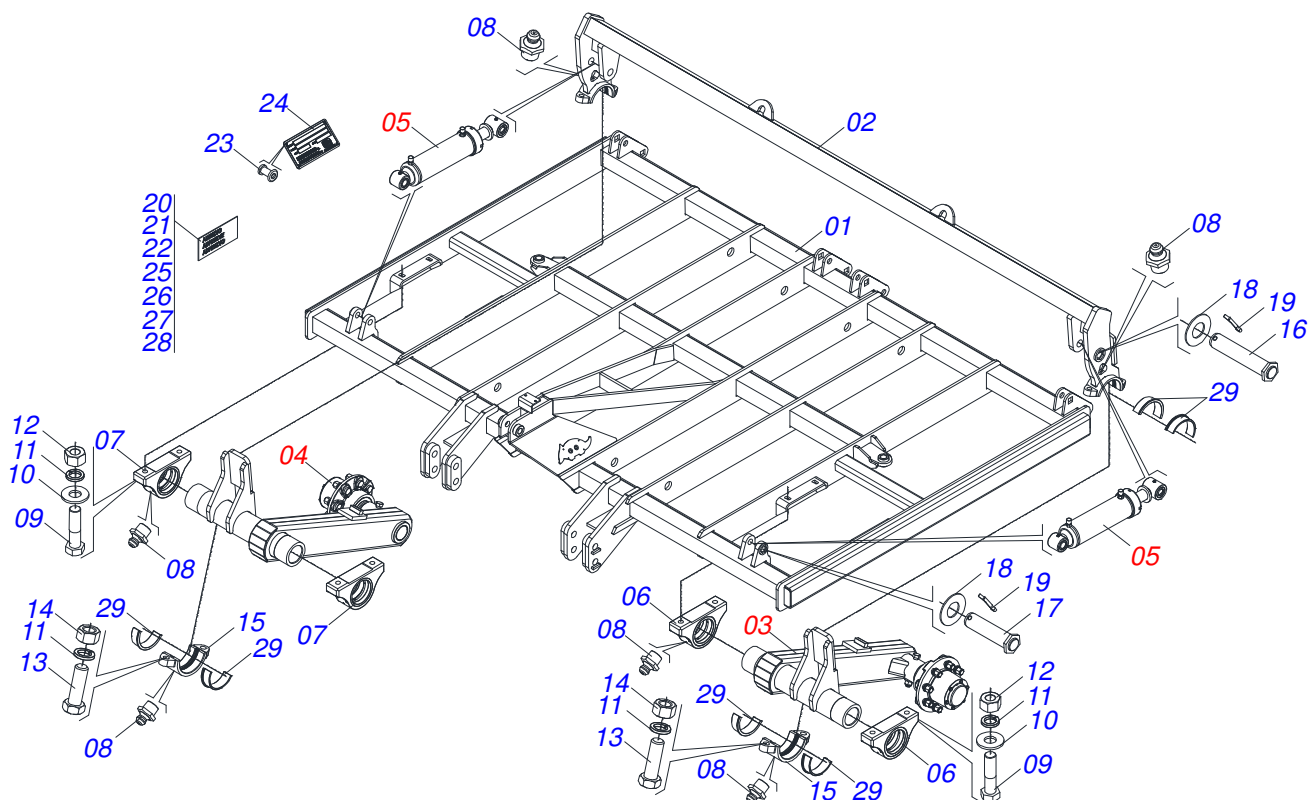
FRAME ASSY



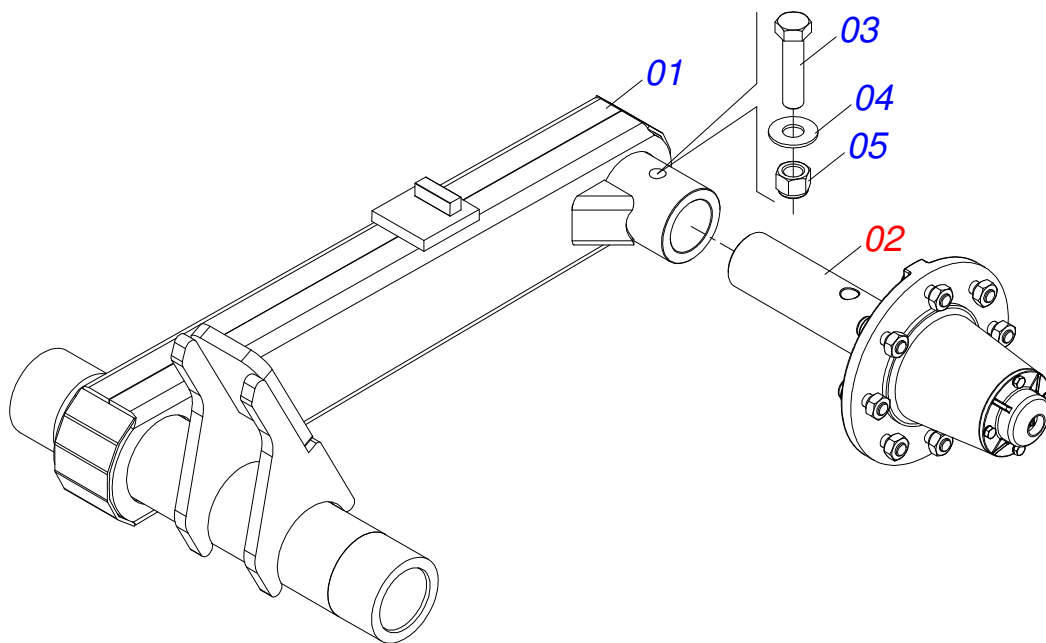
Item	Code	Description	See page	05	07	09
01	0521055448	SEMI MOUNTED FRAME 5H	2	01	00	00
01.	0521055482	SEMI MOUNTED FRAME 7H	9	00	01	00
01..	0521055487	SEMI MOUNTED FRAME 9H	13	00	00	01
01...	0521053880		3	00	01	00
02	0503060414	WHEEL AND TIRE	14	02	00	00
03	0521055484	WHEEL WITH TIRE 12X16,5 -12 CANVAS (LEFT)	15	00	01	01
04	0521054068	WHEEL WITH TIRE 12 X 16.5 - 12 CANVAS (RIGHT)	16	00	01	01
05	0521055449	ASSY DESTROYER ROLLER (1265)	17	02	00	00
05.	0521055483	ASSY DESTROYER ROLLER (1800)	18	00	02	00
05..	0521055488	ASSY DESTROYER ROLLER (2280)	19	00	00	02
06	0511045977	ROD ASSY SYSTEM	21	05	07	09
06.	0521049702	ROD ASSY SYSTEM	7	00	01	00
07	0521055494	ASSY DC FRONT	23	02	02	02
08	0521055495	ASSY DC REAR	27	03	05	07
09	0521055491	ASSY ARM RIGHT DESTROYER ROLLER	29	02	02	02
10	0521057120	ASSY ARM LEFT DESTROYER ROLLER	30	02	02	02
11	0531017716	AXLE TIGHTENER		01	01	01
12	0503010523	1/4" X 2" COTTERPIN		01	01	01
13	0551010280	253 TRANSPORT LOCK		02	02	02
14	0541016844	FIXER LOCK		02	02	02
15	0503030012	HAIR PIN		02	02	02
16	0521069764	AXLE LOCK Ø36,5 X 257 (HOLE 227)		02	02	02
17	0503010534	3/8 X 2-1/2 COTTERPIN		02	02	02
18	0909098596	HYDRAULIC CIRCUIT		01	01	01
19	0531060370	REGULATOR SPINDLE 300		02	02	02
20	0541018672	COUNTERNUT		02	02	02
21	0503010839	03"X 0.6" SPRING PIN		02	02	02
22	0591011716	WHEEL CHAIN EAR		02	02	02
23	0531060369	FIXED EAR CHAIN WHEEL		02	02	02
24	0521055450	MANUAL CANISTER ASSY	33	01	01	01
24.	0521055450	MANUAL CANISTER ASSY	33	00	01	00



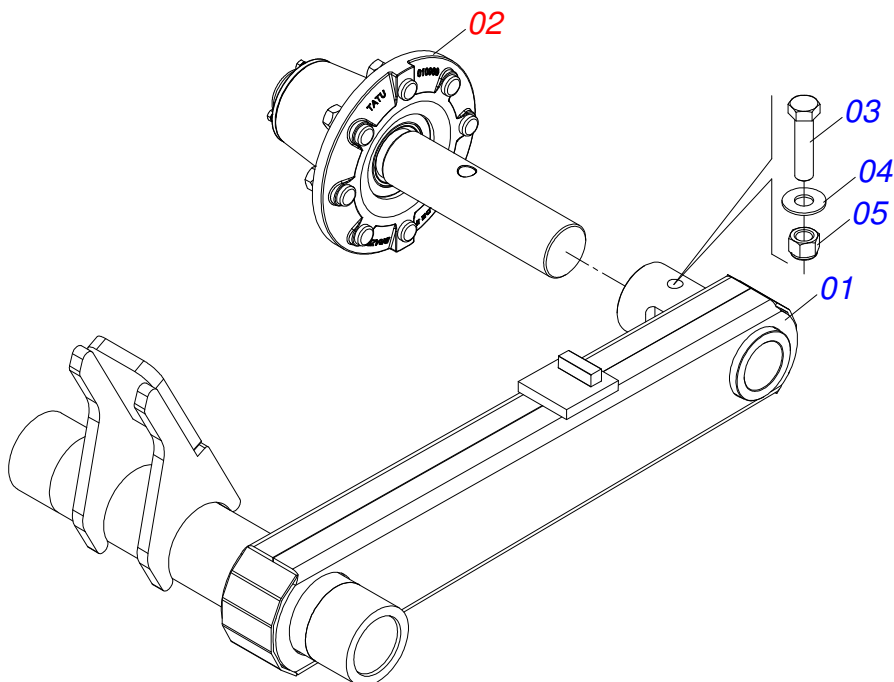
Item	Code	Description	See page	QT
01	0511063808	AST/MATIC E 550 FRAME		01
02	0521069294	WHEELED SUPPORT CONNECTION (2085) 5H		01
03	0521055451	LEFT BRACKET WITH CUBE WHEEL	4	01
04	0521055452	RIGHT BRACKET WITH CUBE WHEEL	5	01
05	0521053332	HYDRAULIC CYLINDER 50,8 X 101,6 X 566,5 X 251,5 8		02
06	0501110563	MANCAL ARTICULAÇÃO ESQUERDA C/LUVA		02
07	0501110568	MANCAL ARTICULAÇÃO DIREITA C/LUVA		02
08	0503010002	1800 GREASE FITTING		08
09	0503010901	3/4UNC 3.1/2 BOLT		08
10	0501010322	FLAT WASHER		08
11	0503011442	3/4" SPRING WASHER		12
12	0503010014	3/4" NUT		08
13	0501010500	3/4"X3"BOLT		04
14	0503012183	SNC 3/4" ZIN 1K03097 NUT		04
15	0521069032	SEMI BEARING ROUND CONNECTION SUPPORT		02
16	0521068984	AXLE LATCH 31,75 X 170 HOLE 150		02
17	0521068987	AXLE LATCH 31,75 X 150 HOLE 150		02
18	0521013442	FLAT WASHER		04
19	0503010523	1/4" X 2" COTTERPIN		04
20	0503031827	LUBRICATE AND RETIGHTEN DAILY DECAL		01
21	0503031428	READ MANUAL DECAL		01
22	0503031087	ADHESIVE LABEL		01
23	0503010001	3.2 X 5.5 RIVET		04
24	0503034003	SERIAL NUMBER TAG 61 X 118		01
25	0503034720	ADHESIVE LABEL		02
26	0503034499	HOSE IDENTIFICATION DECAL		01
27	0503034078	LIFTING POINTS DECAL		06
28	0503033795	ADHESIVE LABEL		02
29	0591012235	NYLON HALF GLOVE 124 X 114.4 X 87		08



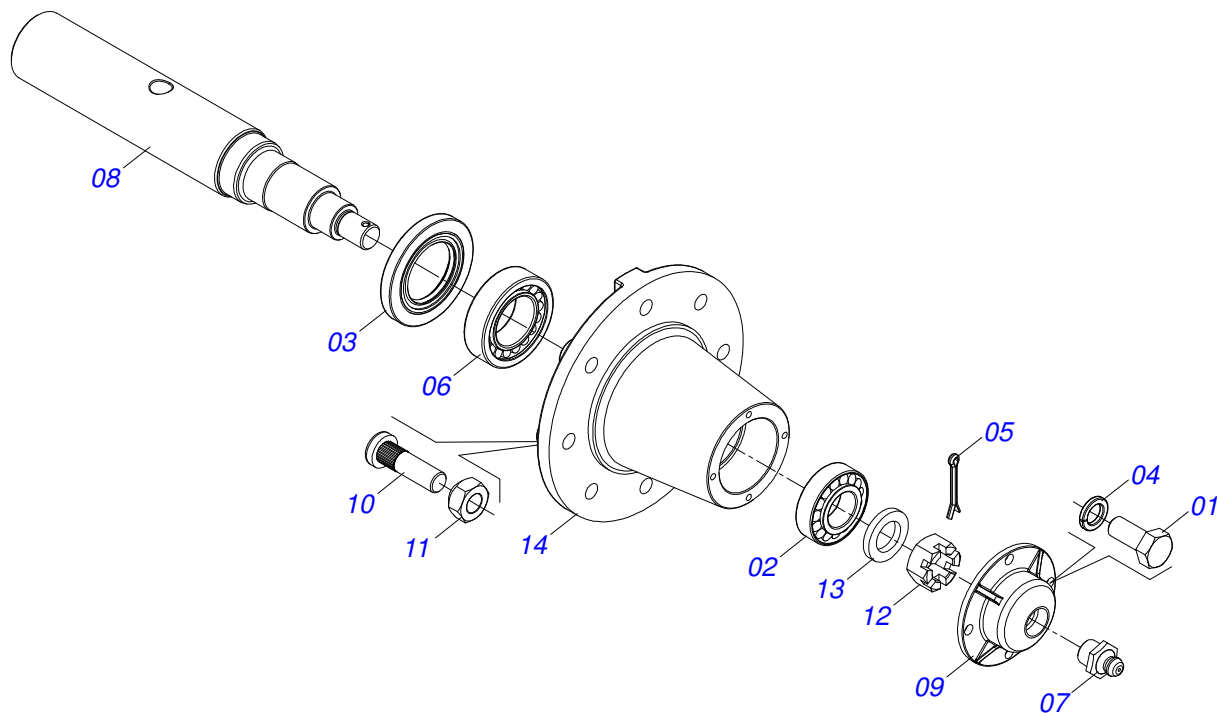
Item	Code	Description	See page	QT
01	0521064414	FRAME STAC E 550 5H S-0202		01
02	0521069294	WHEELED SUPPORT CONNECTION (2085) 5H		01
03	0521055451	LEFT BRACKET WITH CUBE WHEEL	4	01
04	0521055452	RIGHT BRACKET WITH CUBE WHEEL	5	01
05	0521053332	HYDRAULIC CYLINDER 50,8 X 101,6 X 566,5 X 251,5 8		02
06	0501110563	MANCAL ARTICULAÇÃO ESQUERDA C/LUVA		02
07	0501110568	MANCAL ARTICULAÇÃO DIREITA C/LUVA		02
08	0503010002	1800 GREASE FITTING		08
09	0503010901	3/4UNC 3.1/2 BOLT		08
10	0501010322	FLAT WASHER		08
11	0503011442	3/4" SPRING WASHER		12
12	0503010014	3/4" NUT		08
13	0501010500	3/4"X3"BOLT		04
14	0503012183	SNC 3/4" ZIN 1K03097 NUT		04
15	0521069032	SEMI BEARING ROUND CONNECTION SUPPORT		02
16	0521068984	AXLE LATCH 31,75 X 170 HOLE 150		02
17	0521068987	AXLE LATCH 31,75 X 150 HOLE 150		02
18	0521013442	FLAT WASHER		04
19	0503010523	1/4" X 2" COTTERPIN		04
20	0503031827	LUBRICATE AND RETIGHTEN DAILY DECAL		01
21	0503031428	READ MANUAL DECAL		01
22	0503034004	ALUMINUM IDENTIFICATION LABEL		01
23	0503010001	3.2 X 5.5 RIVET		04
24	0503033647	APPROVED BADGE		01
25	0503033302	ADHESIVE		02
26	0503034499	HOSE IDENTIFICATION DECAL		01
27	0503034078	LIFTING POINTS DECAL		06
28	0503033246	ADHESIVE LABEL		02
29	0591012235	NYLON HALF GLOVE 124 X 114.4 X 87		08



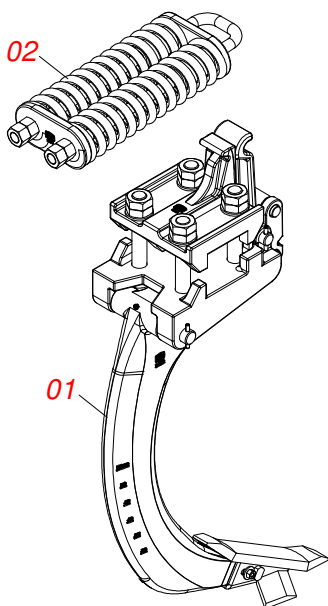
Item	Code	Description	See page	QT
01	0521069033	LEFT WHEEL SUPPORT		01
02	0521055518	WHEEL WITHOUT TIRE	6	01
03	0503013185	3/4" X 5-1/2" BOLT		01
04	0501017065	FLAT WASHER		01
05	0503011255	3/4" LOCK NUT		01



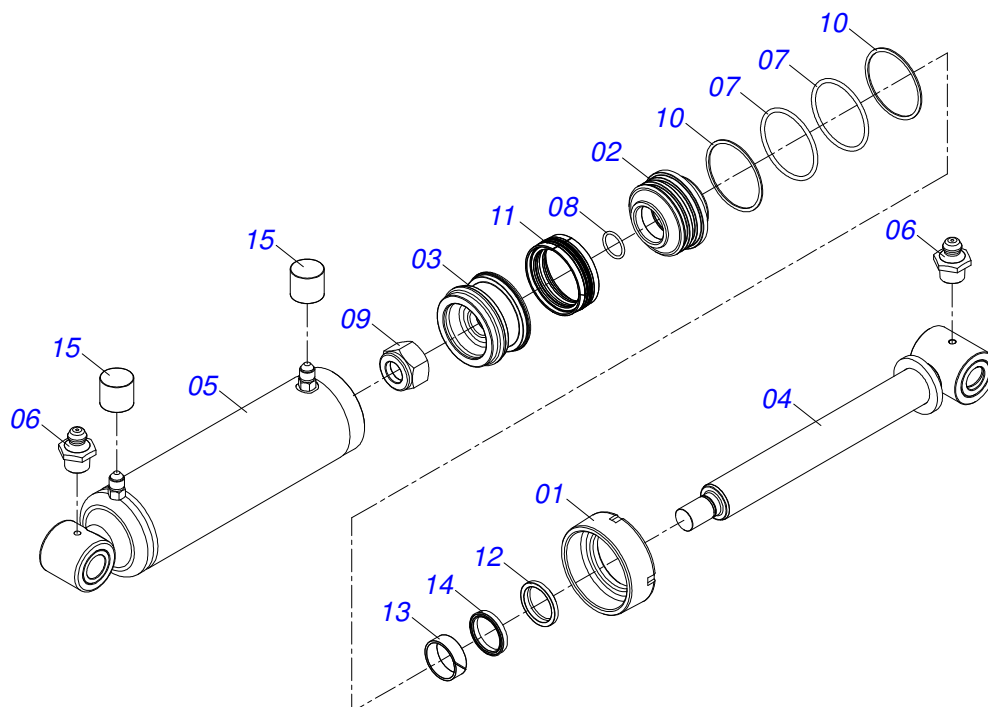
Item	Code	Description	See page	QT
01	0521069763	RIGHT SUPPORT WHEEL		01
02	0521055518	WHEEL WITHOUT TIRE	6	01
03	0503013185	3/4" X 5-1/2" BOLT		01
04	0501017065	FLAT WASHER		01
05	0503011255	3/4" LOCK NUT		01



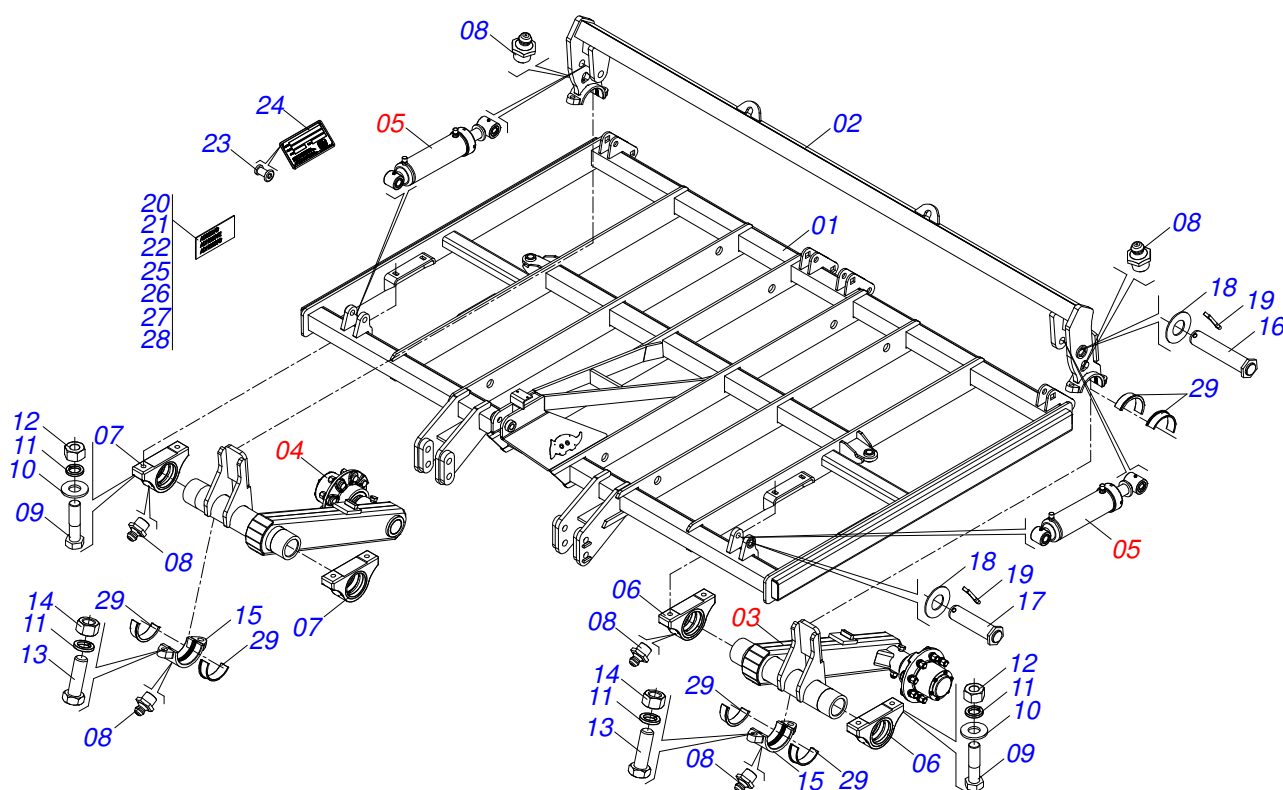
Item	Code	Description	See page	QT
01	0503010358	5/16" X 5/8" BOLT		04
02	0503014821	ROLLER BEARING		01
03	0503013314	RETENTOR 5166-GB 63,5 X 110 X 13 ARCA		01
04	0503011444	SPRING WASHER		04
05	0503010018	5/32 X 1-1/2 COTTERPIN		01
06	0503010008	ROLAMENTO 3780/37203		01
07	0503010002	1800 GREASE FITTING		01
08	0591010027	AXIS TIP		01
09	0502020591	PROTECCION COVER		01
10	0501010186	WHEEL SCREW 5/8UNF X 2.1/8CR		08
11	0503010064	5/8 UNF CONIC NUT		08
12	0503030009	1" CASTLE NUT		01
13	0511012492	ARRUELA LISA 28 X 46 X 6,30		01
14	0502012260	CAIXA RODADO TRANSPORTE		01



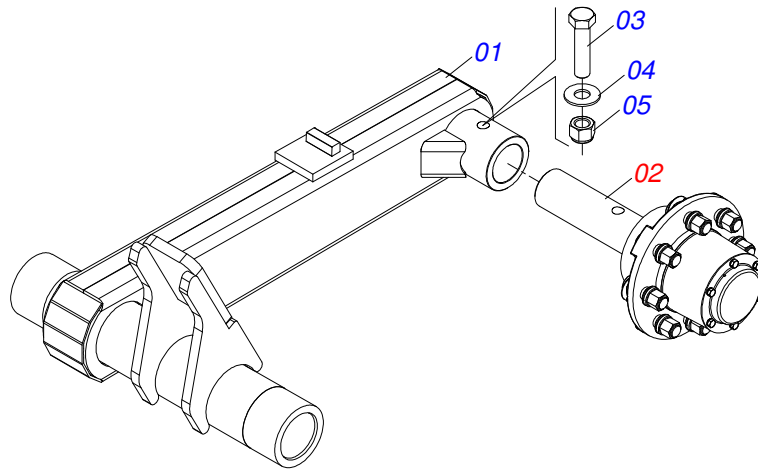
Item	Code	Description	See page	QT
01	0521055481	SYSTEM STEM WITHOUT SPRING PONTEIRA WINGED		01
02	0501052884	1" X 23.03" FASTENER	22	01



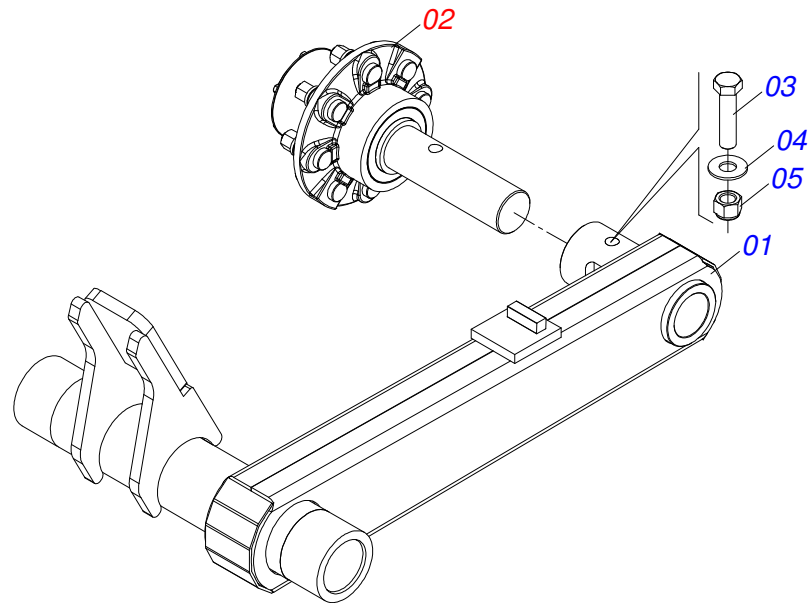
Item	Code	Description	See page	QT
01	0502012822	101.60 END CAP		01
02	0581010678	50,80 X 101 RING SUPPORT		01
03	0502012842	50,80 X 101,60 PISTON		01
04	0521066898	26" TURNBUCKLE		01
05	0511071442	SHIRT 101.6 X 447.5		01
06	0503010002	1800 GREASE FITTING		02
07	0503010338	2-342 N 3006-9B O'RING		02
08	0503010345	2-218 N 3006-9B O'RING		01
09	0503010817	1.1/4" SELF LOCKING NUT		01
10	0503011061	8-342 BACK-UP RING		02
11	0503015633	SELEMASTER SEALING		01
12	0503015636	SCRAPER SEAL		01
13	0503018025	RING GUIDE		01
14	0503018026	1870-2000-375 B GASKET		01
15	0503030385	CYLINDER PLUG N-002		02
16	0511032511	ASSY CYLINDER REPAIR KIT 50.8X101.6		01



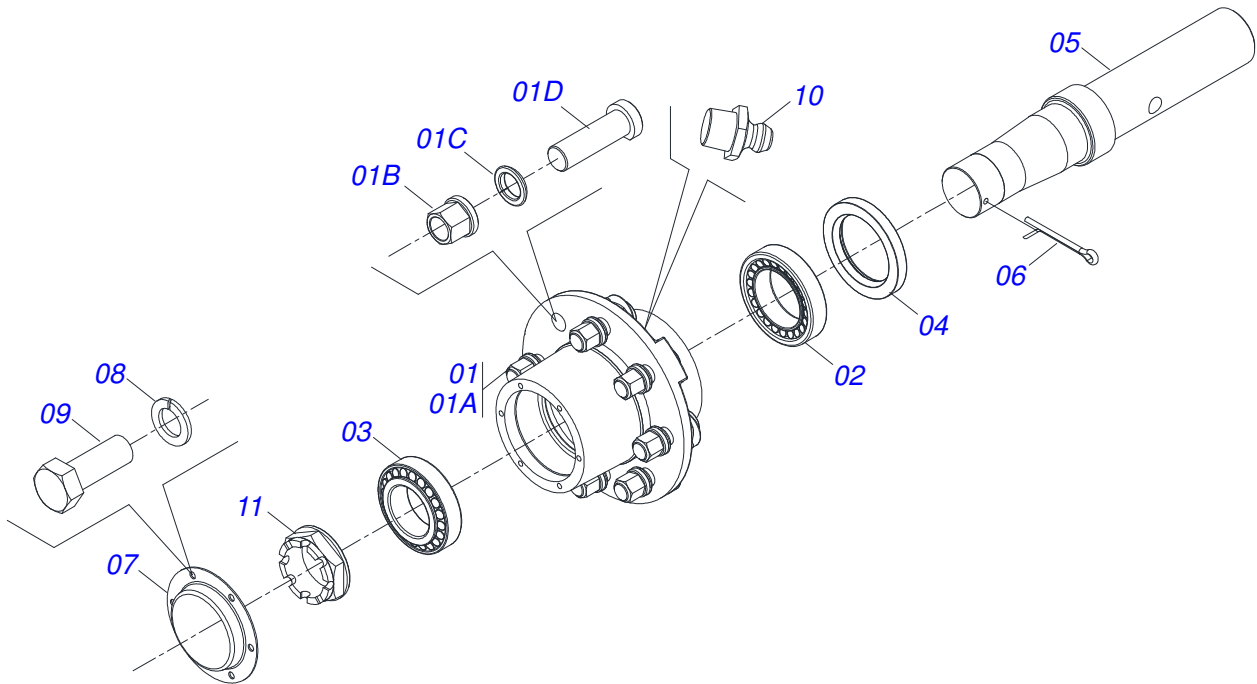
Item	Code	Description	See page	QT
01	0511063809	CHASSI AST/MATIC E 550 7H S-0202		01
02	0521069791	CONNECTION WHEELED SUPPORT (3085)		01
03	0521055485	LEFT BRACKET WITH CUBE WHEEL	10	01
04	0521055486	RIGHT BRACKET WITH CUBE WHEEL	11	01
05	0521053332	HYDRAULIC CYLINDER 50,8 X 101,6 X 566,5 X 251,5 8		02
06	0501110563	MANCAL ARTICULAÇÃO ESQUERDA C/LUVA		02
07	0501110568	MANCAL ARTICULAÇÃO DIREITA C/LUVA		02
08	0503010002	1800 GREASE FITTING		08
09	0503010901	3/4UNC 3.1/2 BOLT		08
10	0501010322	FLAT WASHER		08
11	0503011442	3/4" SPRING WASHER		12
12	0503010014	3/4" NUT		08
13	0501010500	3/4"X3"BOLT		04
14	0503012183	SNC 3/4" ZIN 1K03097 NUT		04
15	0521069032	SEMI BEARING ROUND CONNECTION SUPPORT		02
16	0521068984	AXLE LATCH 31,75 X 170 HOLE 150		02
17	0521068987	AXLE LATCH 31,75 X 150 HOLE 150		02
18	0521013442	FLAT WASHER		04
19	0503010523	1/4" X 2" COTTERPIN		04
20	0503031827	LUBRICATE AND RETIGHTEN DAILY DECAL		01
21	0503031428	READ MANUAL DECAL		01
22	0503031087	ADHESIVE LABEL		01
23	0503010001	3.2 X 5.5 RIVET		04
24	0503034003	SERIAL NUMBER TAG 61 X 118		01
25	0503034720	ADHESIVE LABEL		02
26	0503034499	HOSE IDENTIFICATION DECAL		01
27	0503034078	LIFTING POINTS DECAL		06
28	0503033795	ADHESIVE LABEL		02
29	0591012235	NYLON HALF GLOVE 124 X 114.4 X 87		08



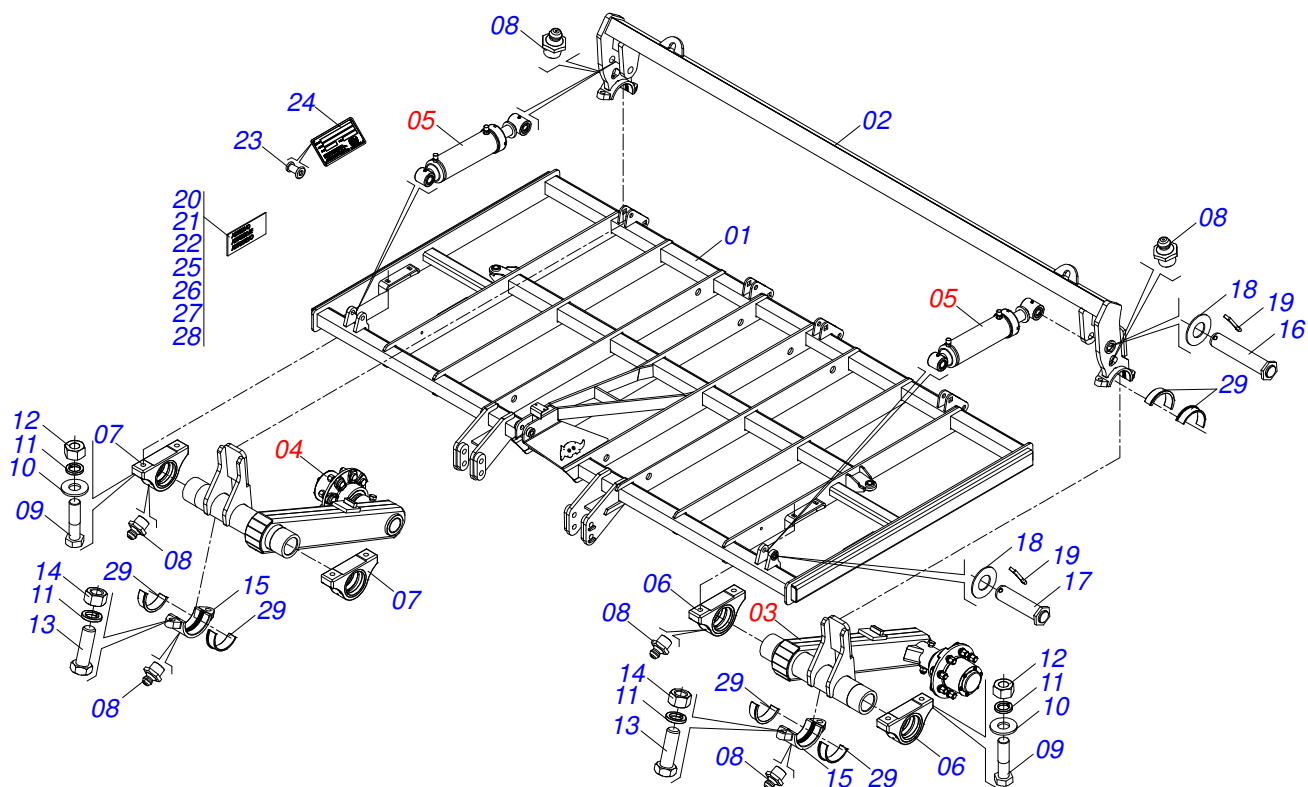
Item	Code	Description	See page	QT
01	0521069033	LEFT WHEEL SUPPORT		01
02	0511059615	ASSY CUBE	12	01
03	0503013185	3/4" X 5-1/2" BOLT		01
04	0501017065	FLAT WASHER		01
05	0503010152	3/4" SELF LOCKING NUT		01



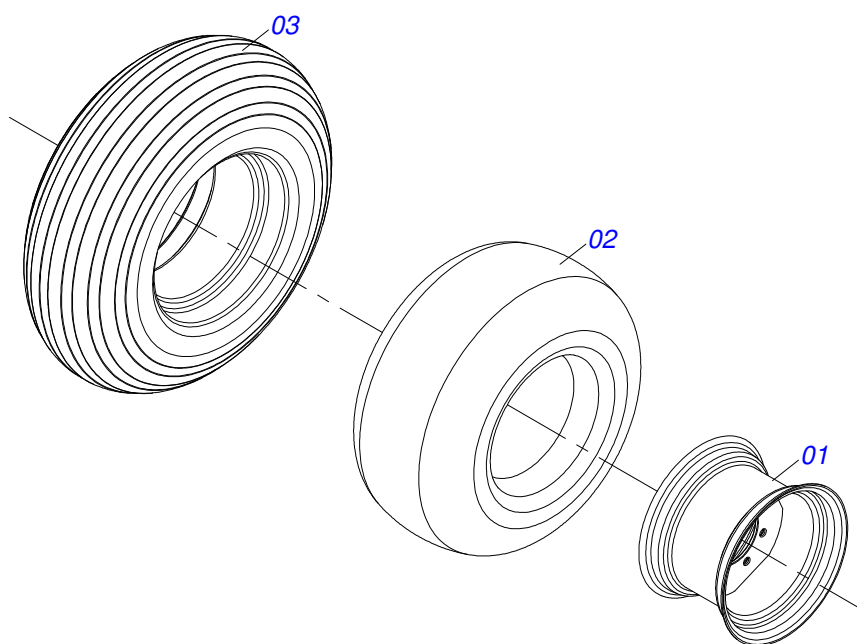
Item	Code	Description	See page	QT
01	0521069763	RIGHT SUPPORT WHEEL		01
02	0511059615	ASSY CUBE	12	01
03	0503013185	3/4" X 5-1/2" BOLT		01
04	0501017065	FLAT WASHER		01
05	0503010152	3/4" SELF LOCKING NUT		01



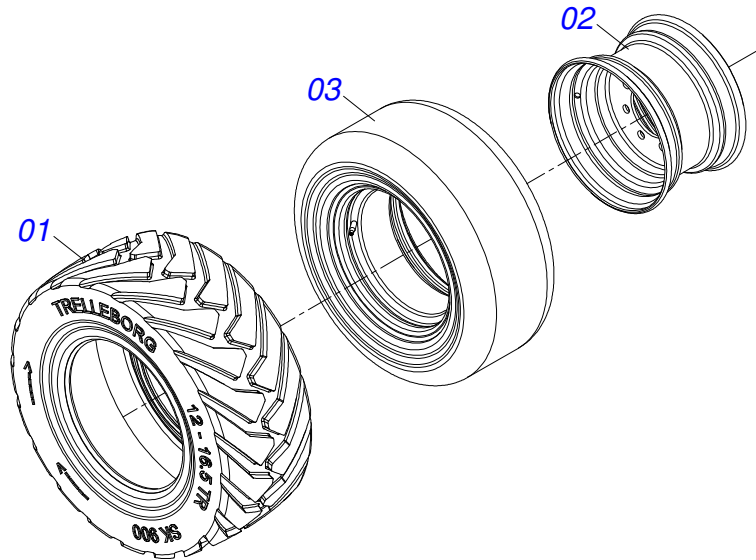
Item	Code	Description	See page	QT
01	0501110751	HUB AND SPINDLE WITH BOLT		01
01A	0502040522	HUB CARRYING-WHEELS		01
01B	0503011339	M22 X 1,5 X 72 BOLT		08
01C	0503011340	SPHERICAL SPRING WASHER		08
01D	0503011341	M22 X 0.6" NUT GR8 NUT		08
02	0503010059	33287/33462 ROLLER BEARING		01
03	0503010007	3982/3920 ROLLER BEARING		01
04	0503010050	SEAL 00085-B		01
05	0581012926	AXLE ASSY		01
06	0503011345	1/4" X 3-1/2" COTTERPIN		01
07	0541013225	WHEEL BOX COVER		01
08	0503011444	SPRING WASHER		06
09	0503010240	5/16" X 3/4" BOLT		06
10	0503010002	1800 GREASE FITTING		01
11	0502040080	2.1/2" SLOTTED NUT		01



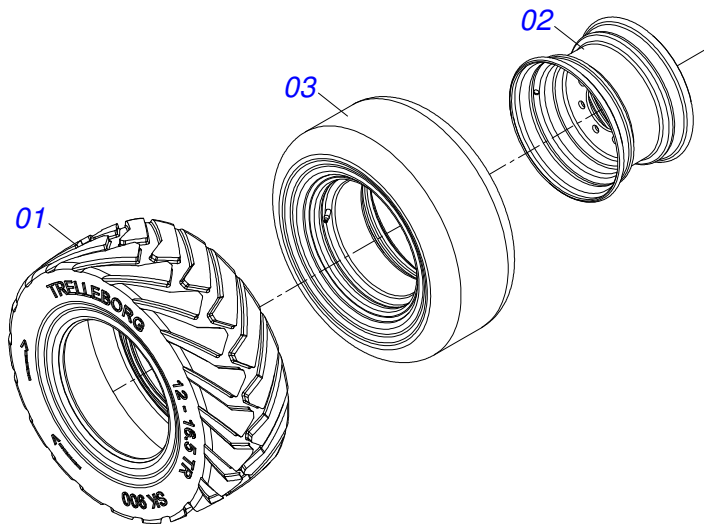
Item	Code	Description	See page	QT
01	0521069795	FRAME 9H		01
02	0521069792	SUPPORT CONNECTION WHEEL (4065) 9H		01
03	0521055485	LEFT BRACKET WITH CUBE WHEEL	10	01
04	0521055486	RIGHT BRACKET WITH CUBE WHEEL	11	01
05	0521053332	HYDRAULIC CYLINDER 50,8 X 101,6 X 566,5 X 251,5 8		02
06	0501110563	MANCAL ARTICULAÇÃO ESQUERDA C/LUVA		02
07	0501110568	MANCAL ARTICULAÇÃO DIREITA C/LUVA		02
08	0503010002	1800 GREASE FITTING		08
09	0503010901	3/4UNC 3.1/2 BOLT		08
10	0501010322	FLAT WASHER		08
11	0503011442	3/4" SPRING WASHER		12
12	0503010014	3/4" NUT		08
13	0501010500	3/4"X3"BOLT		04
14	0503012183	SNC 3/4" ZIN 1K03097 NUT		04
15	0521069032	SEMI BEARING ROUND CONNECTION SUPPORT		02
16	0521068984	AXLE LATCH 31,75 X 170 HOLE 150		02
17	0521068987	AXLE LATCH 31,75 X 150 HOLE 150		02
18	0521013442	FLAT WASHER		04
19	0503010523	1/4" X 2" COTTERPIN		04
20	0503031827	LUBRICATE AND RETIGHTEN DAILY DECAL		01
21	0503031428	READ MANUAL DECAL		01
22	0503031087	ADHESIVE LABEL		01
23	0503010001	3.2 X 5.5 RIVET		04
24	0503034003	SERIAL NUMBER TAG 61 X 118		01
25	0503034720	ADHESIVE LABEL		02
26	0503034499	HOSE IDENTIFICATION DECAL		01
27	0503034078	LIFTING POINTS DECAL		06
28	0503033795	ADHESIVE LABEL		02
29	0591012235	NYLON HALF GLOVE 124 X 114.4 X 87		08



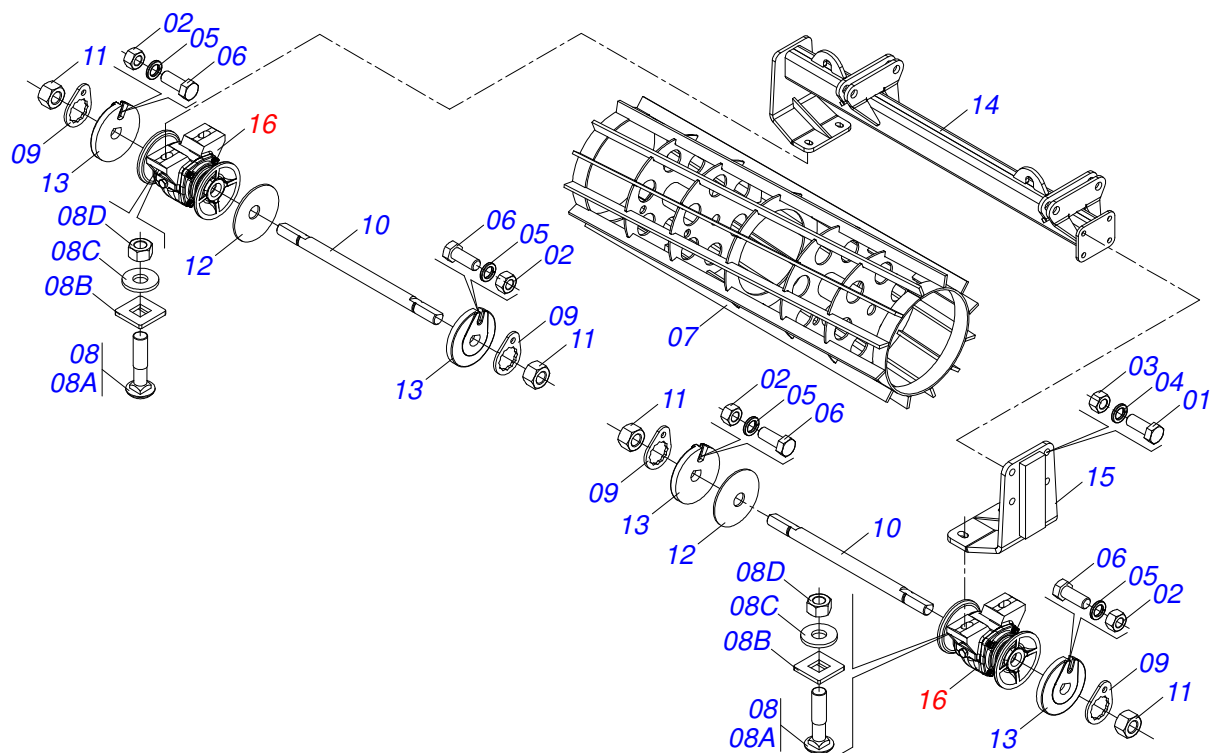
Item	Code	Description	See page	QT
01	0503012108	RODA 10 LB X 15 X 8F X 203 GCRO		01
02	0503010860	CAMARA AR 11L 15		01
03	0503011469	RIB TIRE 12L		01



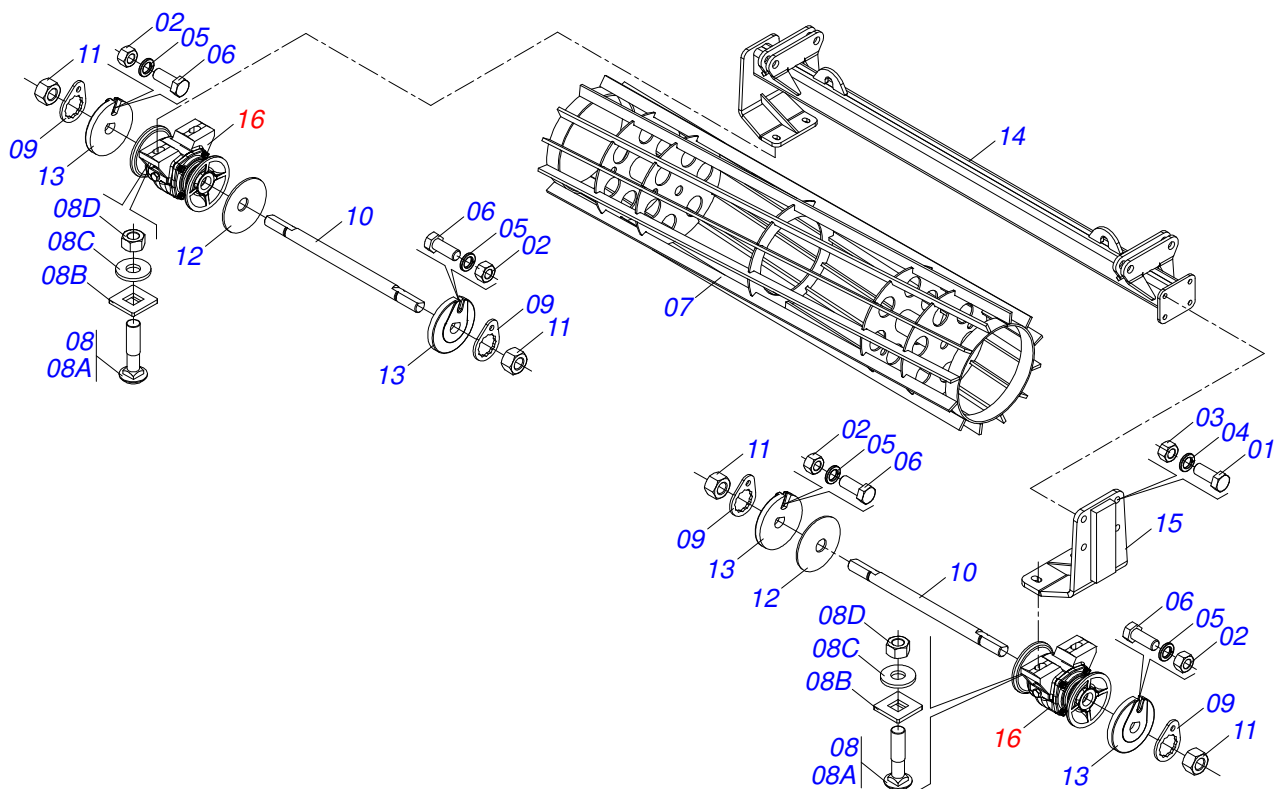
Item	Code	Description	See page	QT
01	0503033713	TIRE 12 X 16,5/12L TR SK 900		01
02	0503015029	WHEEL		01
03	0503015355	INNER TIRE		01



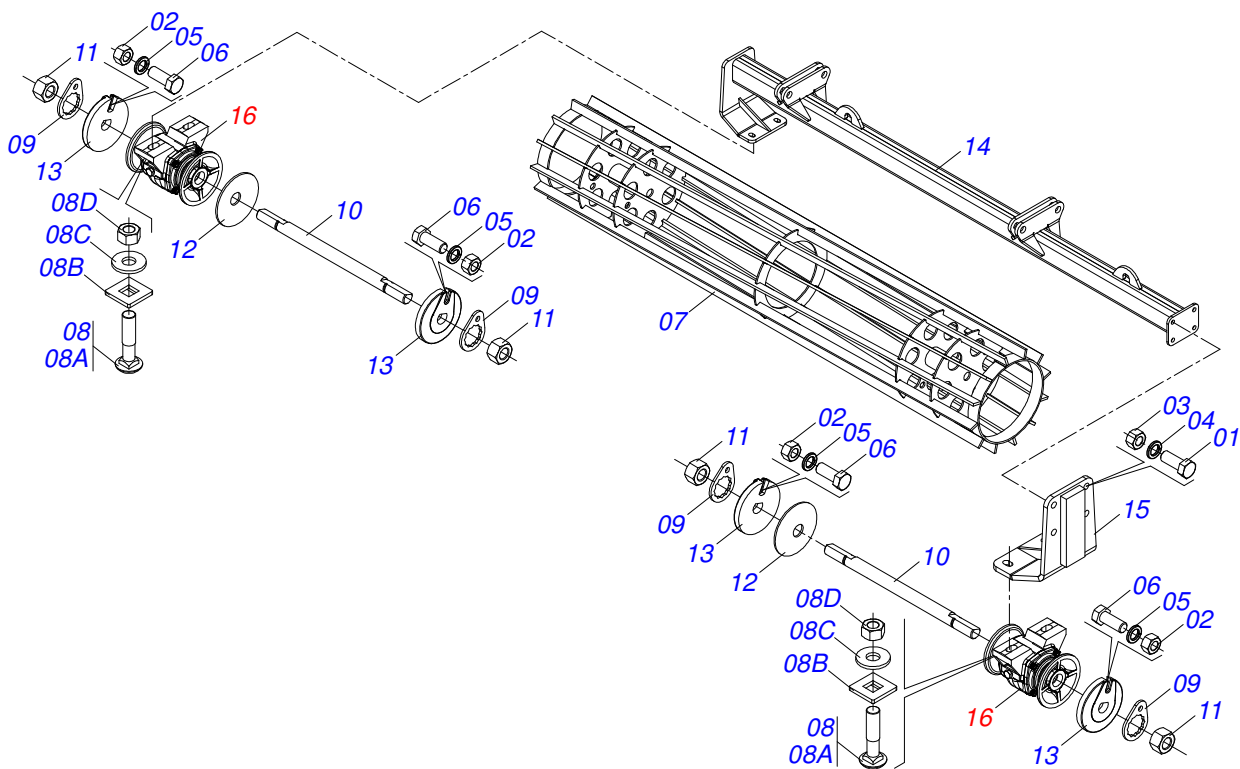
Item	Code	Description	See page	QT
01	0503033713	TIRE 12 X 16,5/12L TR SK 900		01
02	0503015029	WHEEL		01
03	0503015355	INNER TIRE		01



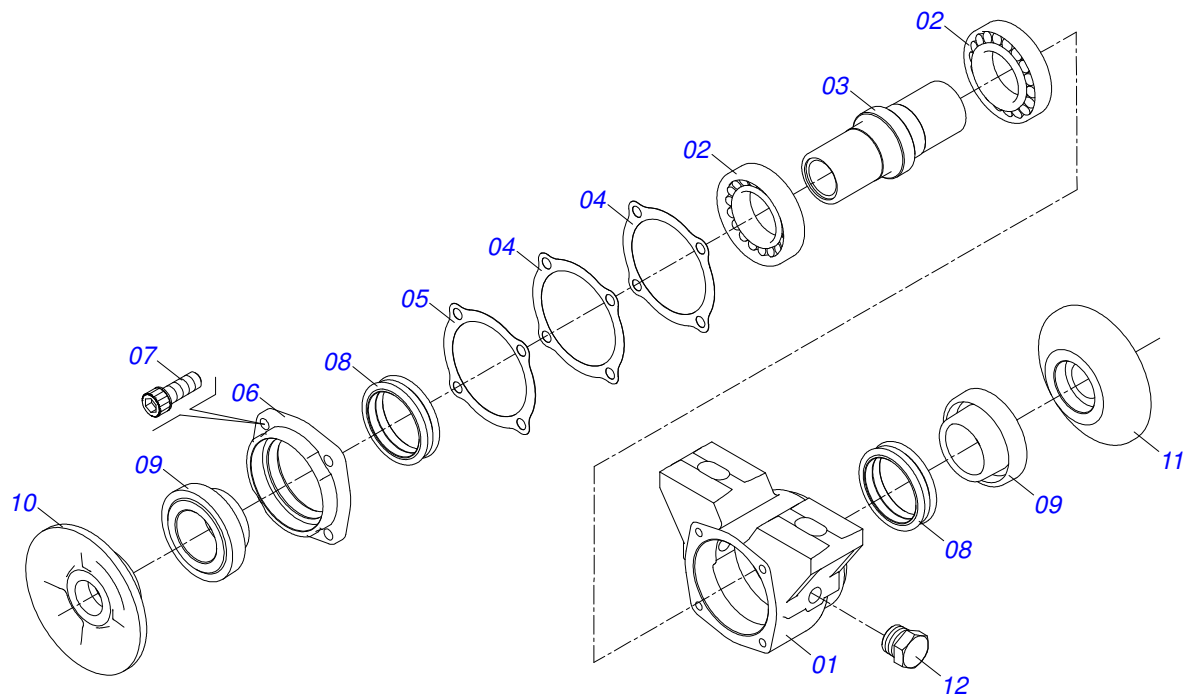
Item	Code	Description	See page	QT
01	0503010232	5/8" X 1.3/4" BOLT		04
02	0503010060	1/2" NUT		04
03	0503010013	5/8" NUT		04
04	0503011445	SPRING WASHER		04
05	0503011440	SPRING WASHER		04
06	0501010161	1/2" X 1.1/4" BOLT		04
07	0521069761	DESTROYER ROLLER 1265 5H		01
08	0501058802	5/8 UNC X 2.3/4 BOLT ASSY		04
08A	0503015154	5/8" X 2.3/4" BOLT		04
08B	0501010947	5/8 NUT LOCK		04
08C	0501012140	FLAT WASHER		01
08D	0503010013	5/8" NUT		08
09	0501010455	1.1/4" NUT LOCK		04
10	0501010752	1.1/4" X 500 AXLE		02
11	0501010087	1.1/4" NUT		04
12	0531018575	ARRUELA CONCAVA 33,50X 140X 4,75		02
13	1902010835	1-1/4" EXTERNAL AXLE WASHER		04
14	0511064315	SUPORTE ROLO DESTORROADOR 1280 5		01
15	0511069433	BREAK ROLLER BRACKET		01
16	0501046922	7.5" X 1-1/4" OIL BATH BEARING	20	02



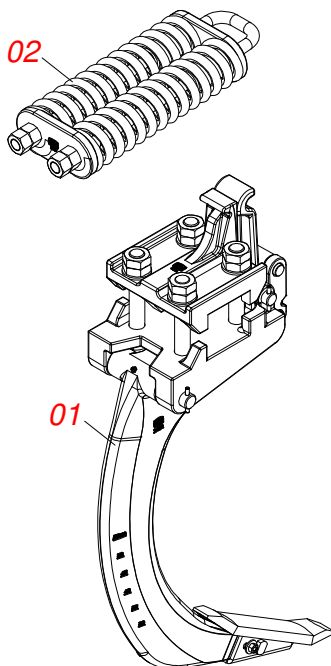
Item	Code	Description	See page	QT
01	0503010232	5/8" X 1.3/4" BOLT		04
02	0503010060	1/2" NUT		04
03	0503010013	5/8" NUT		04
04	0503011445	SPRING WASHER		04
05	0503011440	SPRING WASHER		04
06	0501010161	1/2" X 1.1/4" BOLT		04
07	0521069790	DESTROYING ROLL		01
08	0501058802	5/8 UNC X 2.3/4 BOLT ASSY		04
08A	0503015154	5/8" X 2.3/4" BOLT		04
08B	0501010947	5/8 NUT LOCK		04
08C	0501012140	FLAT WASHER		01
08D	0503010013	5/8" NUT		08
09	0501010455	1.1/4" NUT LOCK		04
10	0501010752	1.1/4" X 500 AXLE		02
11	0501010087	1.1/4" NUT		04
12	0531018575	ARRUELA CONCAVA 33,50X 140X 4,75		02
13	1902010835	1-1/4" EXTERNAL AXLE WASHER		04
14	0511064316	SUPORTE ROLO DESTORROADOR 1815 7		01
15	0511069433	BREAK ROLLER BRACKET		01
16	0501046922	7.5" X 1-1/4" OIL BATH BEARING	20	02



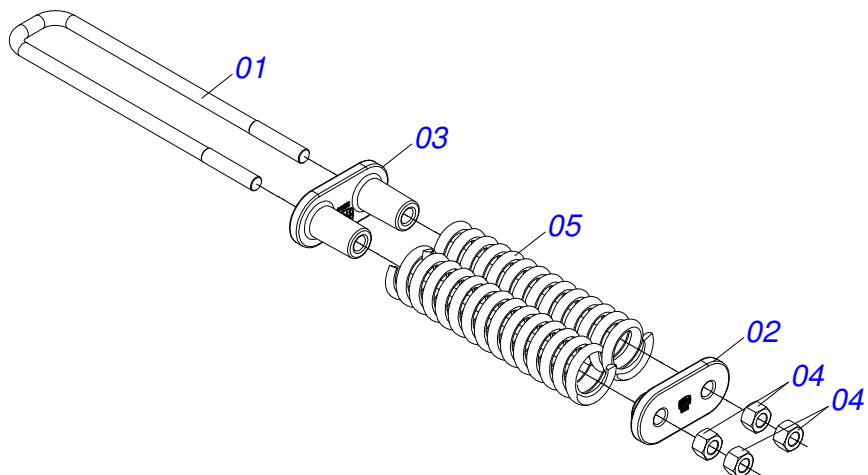
Item	Code	Description	See page	QT
01	0503010232	5/8" X 1.3/4" BOLT		04
02	0503010060	1/2" NUT		04
03	0503010013	5/8" NUT		04
04	0503011445	SPRING WASHER		04
05	0503011440	SPRING WASHER		04
06	0501010161	1/2" X 1.1/4" BOLT		04
07	0521069794	DESTROYER ROLLER 2270 9H		01
08	0501058802	5/8 UNC X 2.3/4 BOLT ASSY		04
08A	0503015154	5/8" X 2.3/4" BOLT		04
08B	0501010947	5/8 NUT LOCK		04
08C	0501012140	FLAT WASHER		01
08D	0503010013	5/8" NUT		08
09	0501010455	1.1/4" NUT LOCK		04
10	0501010752	1.1/4" X 500 AXLE		02
11	0501010087	1.1/4" NUT		04
12	0531018575	ARRUELA CONCAVA 33,50X 140X 4,75		02
13	1902010835	1-1/4" EXTERNAL AXLE WASHER		04
14	0521069793	SUPPORT DESTROYER ROLLER (2280) 9H		01
15	0511069433	BREAK ROLLER BRACKET		01
16	0501046922	7.5" X 1-1/4" OIL BATH BEARING	20	02



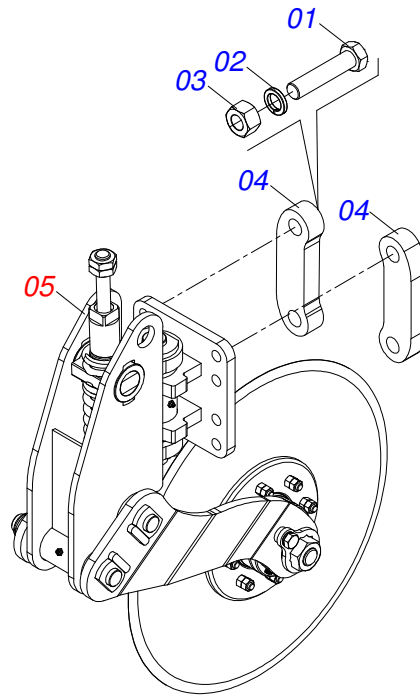
Item	Code	Description	See page	QT
01	0502010540	HOUSING DM		01
02	0503010111	30210 ROLLER BEARING		02
03	0502040218	AXLE		01
04	0503030013	4.4" X 3.5" X 0.004" JOINT		02
05	0503030684	4.4" X 3.5" X 0.004" JOINT		01
06	0502020424	HOUSING CAP		01
07	0503010134	3/8" X 1" BOLT		04
08	0503030026	SEAL LP JB-253		02
09	0502010541	SEAL RETAINER		02
10	0502010070	OUTER FLANGE		01
11	0502010071	INNER FLANGE		01
12	0503010856	OIL PLUG		01



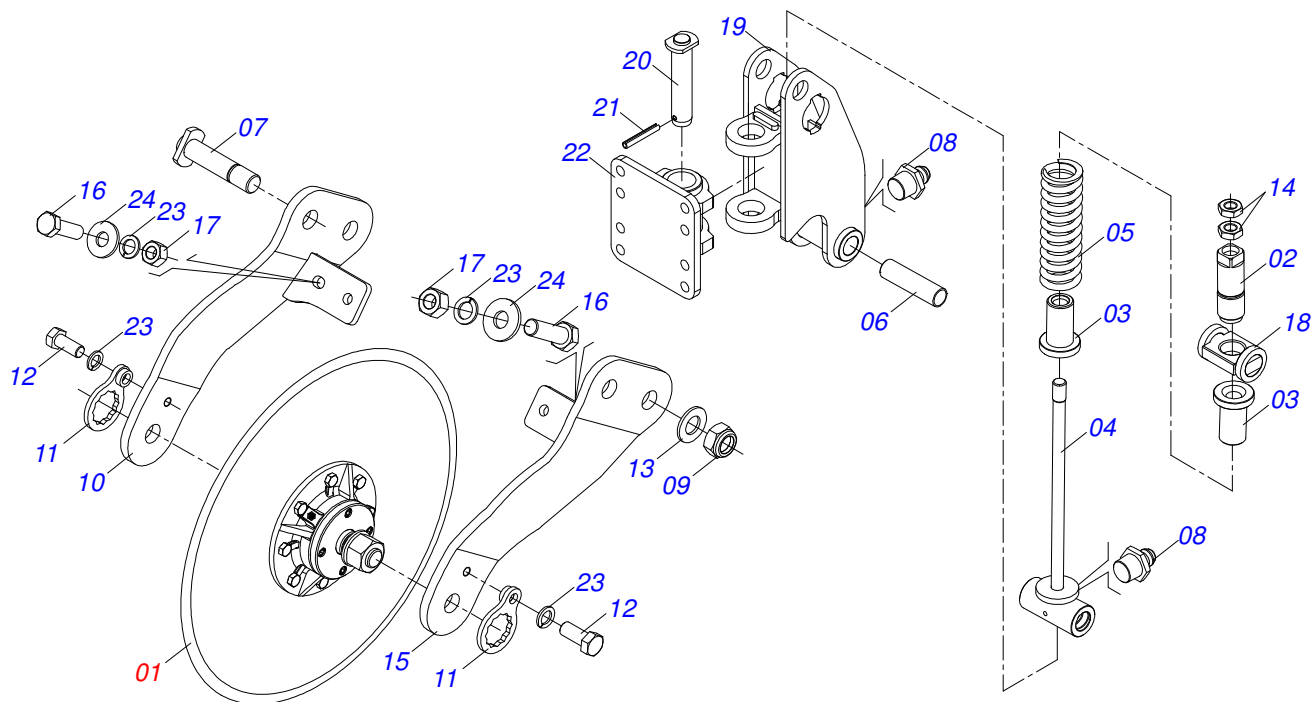
Item	Code	Description	See page	QT
01	0501057701	SYSTEM STEM WITHOUT SPRING		01
02	0501052884	1" X 23.03" FASTENER	22	01



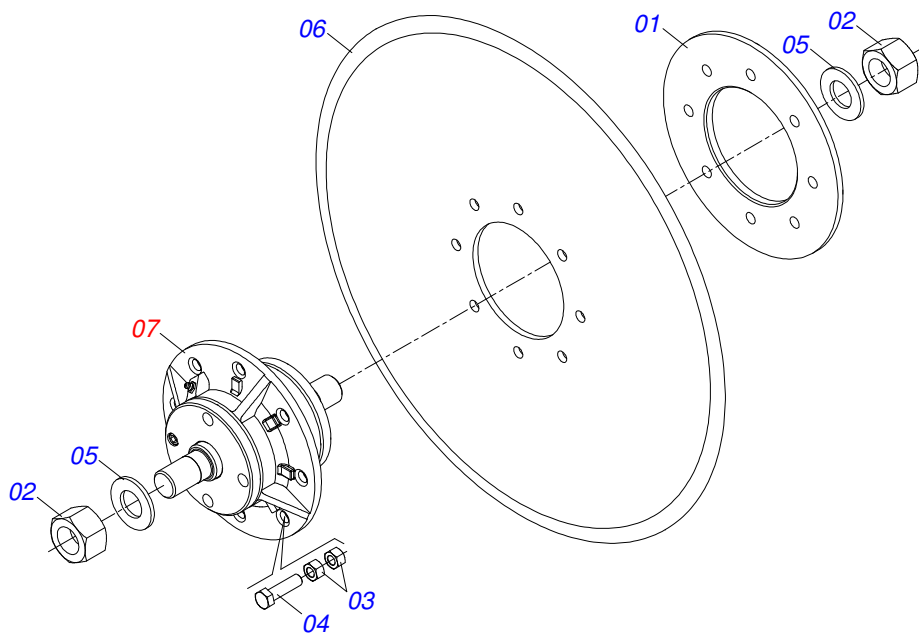
Item	Code	Description	See page	QT
01	0521017662	1" X 23.03" U FASTENER		01
02	0502011825	REAR FIXER SPRING		01
03	0502011824	FRONT FIXER SPRING		01
04	0503010340	1" NUT		04
05	0503031603	4" X 17" X 0.8" SPRING		02



Item	Code	Description	See page	QT
01	0503014744	3/4 UNF X 7.1/2 C S G.7 ZN BOLT		04
02	0503010023	3/4" SPRING WASHER		04
03	0503019294	NUT S. 3/4 UNF G.8 ZN		04
04	0571011609	FIXER PLATE CUTTING DISC		02
05	0521044568	BLADE DISC FRONT	24	01

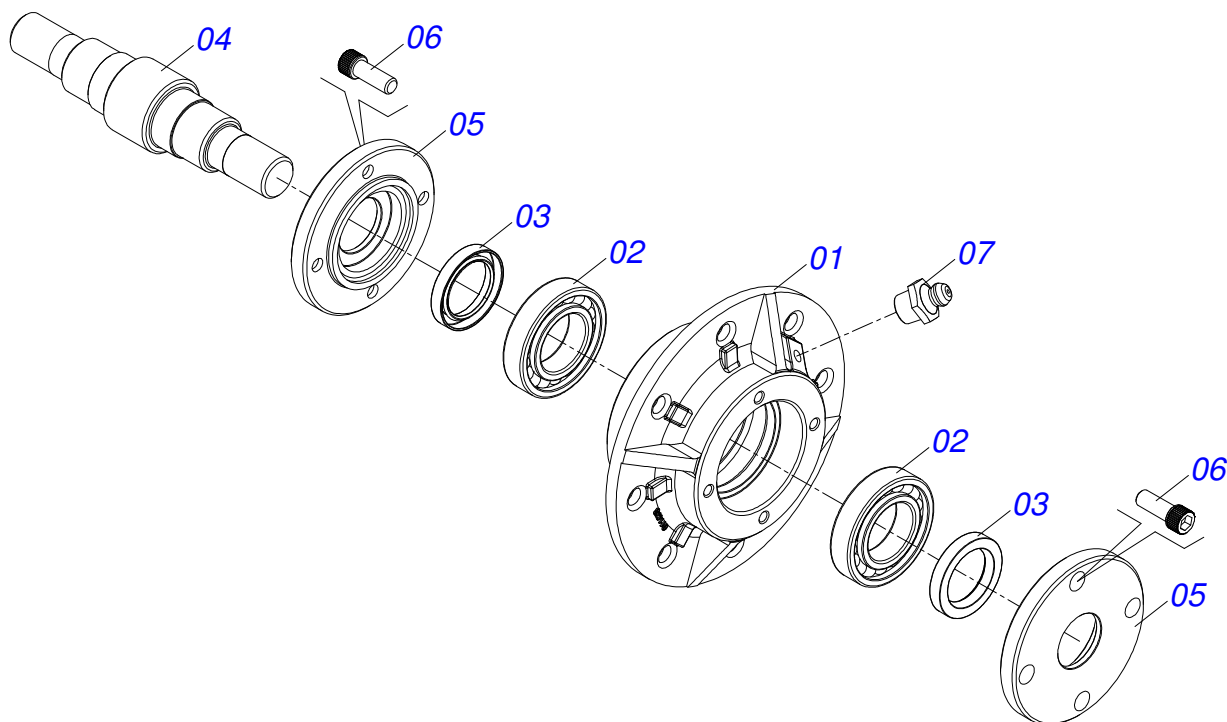


Item	Code	Description	See page	QT
01	0511053370	24" X 7,5 BLADE DISC ASSY	25	01
02	0571010668	2" REGULATOR SPINDLE		01
03	0571010669	SLEEVE		02
04	0521062925	PRING ROD		01
05	0503031390	2.1"X10"X1/2" COMPRESSION SPRING		01
06	0551014549	32,54 SLEEVE		02
07	0521062926	COUPLING SHAFT		02
08	0503010002	1800 GREASE FITTING		03
09	0503010044	1-1/4" SELF LOCKING NUT		02
10	0521062924	RIGHT ARM THE BLADE DISC		01
11	0501069637	AXLE NUT LOCK		02
12	0503011267	BOLT 5/8 UNC X 1.1/2 C S G.5 ZN		02
13	0501017779	32 X 60 X 4.75 FLAT WASHER		02
14	0503013635	1" NUT		02
15	0521064686	RIGHT ARM OF THE BLADE DISC		01
16	0501010100	SCREW 5/8 UNC X 2 CS G.5 ZN		02
17	0503010013	5/8" NUT		02
18	0521064687	SPRING LOCKNUT		01
19	0521065138	FRONT FIXER		01
20	0521065131	COUPLING SHAFT		01
21	0503016184	SPRING PIN		01
22	0521065132	SPRING FIXER		01
23	0503011445	SPRING WASHER		08
24	0501012140	FLAT WASHER		02

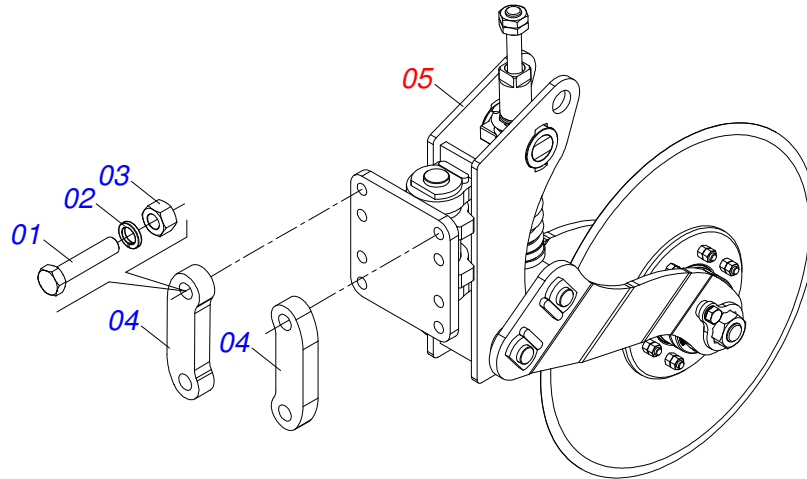


Item	Code	Description	See page	QT
01	0521011824	BLADE DISC FLANGE OUTER		01
02	0501010087	1.1/4" NUT		02
03	0503010060	1/2" NUT		16
04	0503010905	1/2" X 2-1/4" BOLT		08
05	0501017779	32 X 60 X 4.75 FLAT WASHER		02
06	0603030067	24" X 7,5 PLAIN COULTER BLADE		01
07	0501057526	DISC HUB	26	01

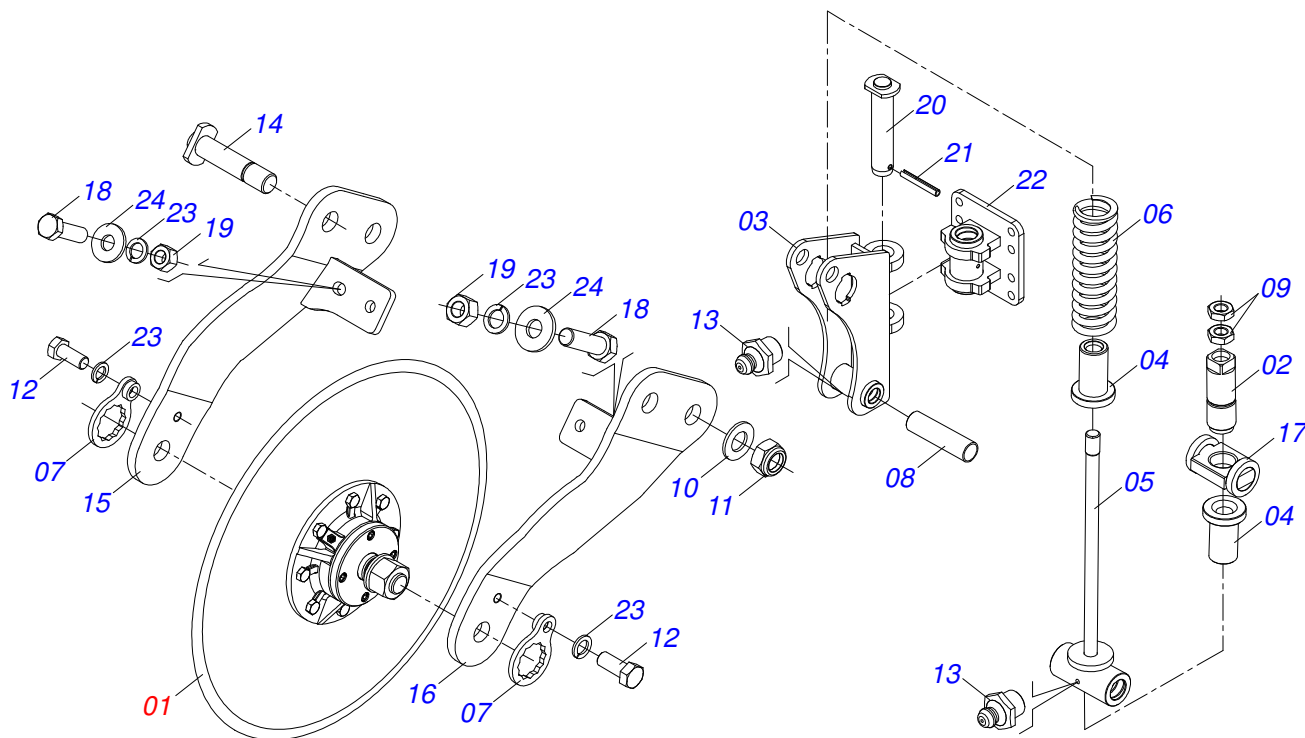
DISC HUB



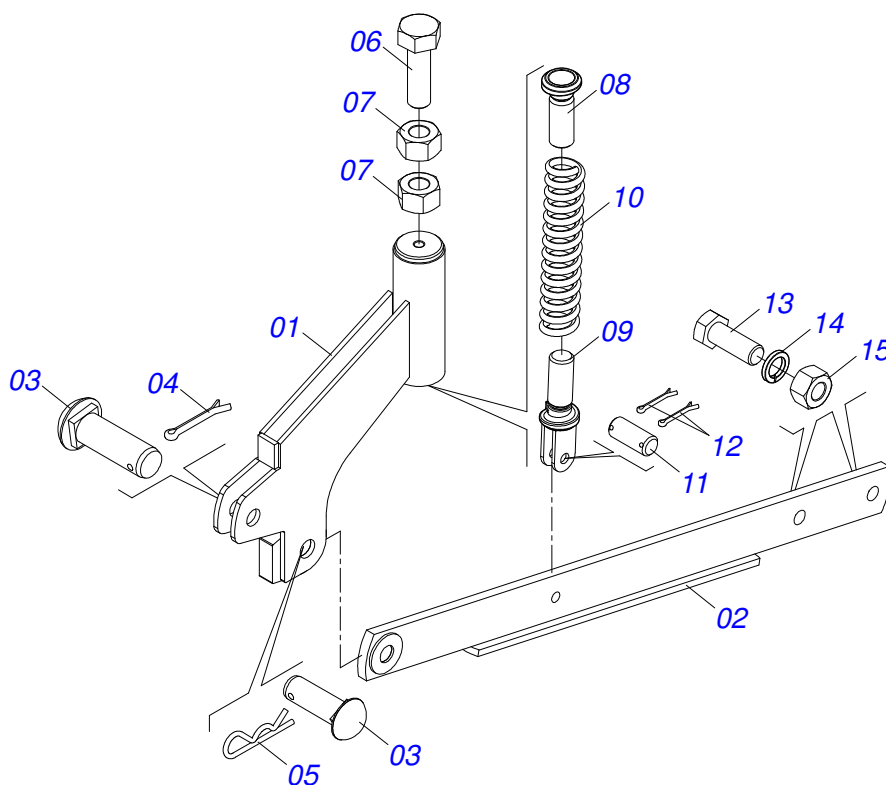
Item	Code	Description	See page	QT
01	0502011478	DISC HUB		01
02	0503011291	6209 BALL BEARING		02
03	0503012106	00521-BR SEAL		02
04	0521012661	BLADE DISC AXLE HUB		01
05	0502011477	BLADE DISC HOUSIG CP		02
06	0503010134	3/8" X 1" BOLT		08
07	0503010002	1800 GREASE FITTING		01



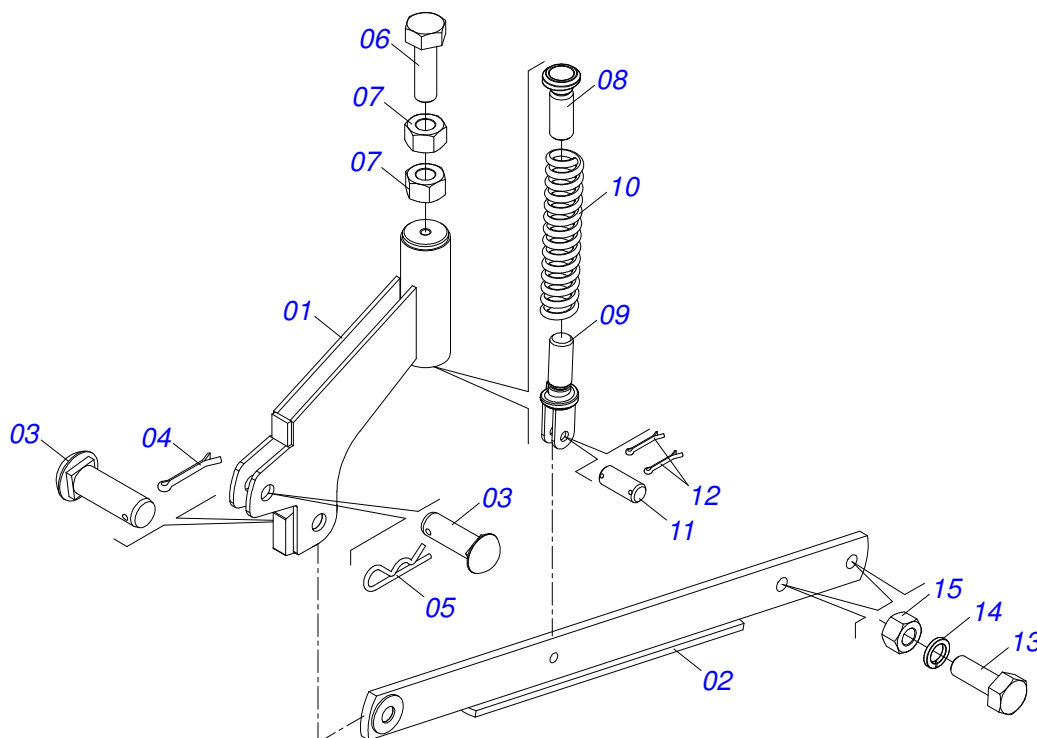
Item	Code	Description	See page	QT
01	0503014744	3/4 UNF X 7.1/2 C S G.7 ZN BOLT		04
02	0503010023	3/4" SPRING WASHER		04
03	0503019294	NUT S. 3/4 UNF G.8 ZN		04
04	0571011609	FIXER PLATE CUTTING DISC		02
05	0521044567	REAR BLADE DISC ASSY	28	01



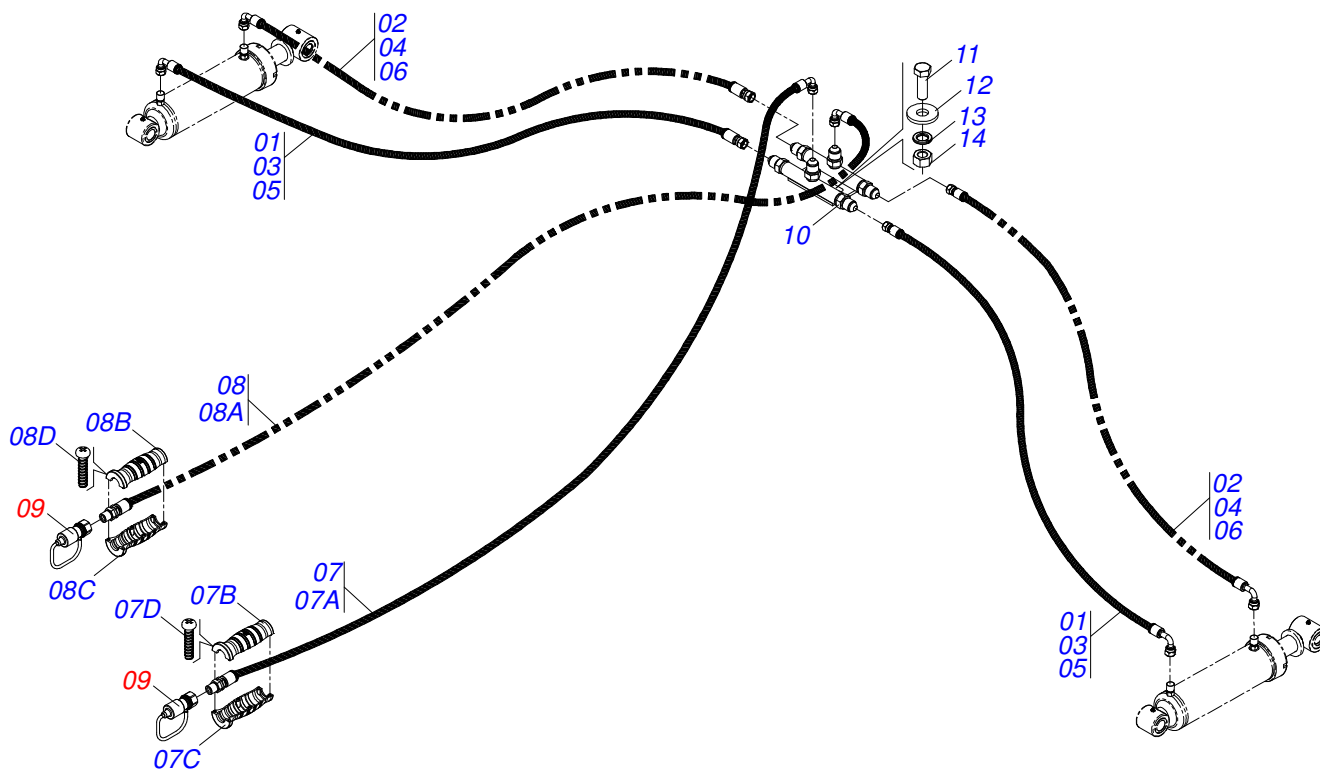
Item	Code	Description	See page	QT
01	0511053370	24" X 7,5 BLADE DISC ASSY	25	01
02	0571010668	2" REGULATOR SPINDLE		01
03	0521065137	REAR FIXER		01
04	0571010669	SLEEVE		02
05	0521062925	PRING ROD		01
06	0503031390	2.1"X10"X1/2" COMPRESSION SPRING		01
07	0501069637	AXLE NUT LOCK		02
08	0551014549	32,54 SLEEVE		02
09	0503013635	1" NUT		02
10	0501017779	32 X 60 X 4.75 FLAT WASHER		02
11	0503010044	1-1/4" SELF LOCKING NUT		02
12	0503011267	BOLT 5/8 UNC X 1.1/2 C S G.5 ZN		02
13	0503010002	1800 GREASE FITTING		03
14	0521062926	COUPLING SHAFT		02
15	0521062924	RIGHT ARM THE BLADE DISC		01
16	0521064686	RIGHT ARM OF THE BLADE DISC		01
17	0521064687	SPRING LOCKNUT		01
18	0501010100	SCREW 5/8 UNC X 2 CS G.5 ZN		02
19	0503010013	5/8" NUT		02
20	0521065131	COUPLING SHAFT		01
21	0503016184	SPRING PIN		01
22	0521065132	SPRING FIXER		01
23	0503011445	SPRING WASHER		08
24	0501012140	FLAT WASHER		02



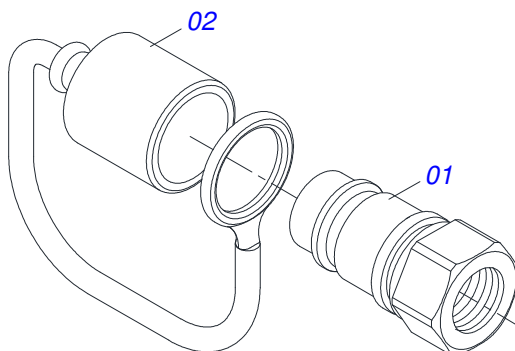
Item	Code	Description	See page	QT
01	0511064544	SUPORE ARTICULADOR ROLO		01
02	0511063807	BRACO ROLO DESTORROADOR		01
03	0531017715	EIXO ARTIC 31,75 X 82,50 C A P Q		02
04	0503010523	1/4" X 2" COTTERPIN		01
05	0503031035	HAIR PIN		01
06	0503013135	PARAFUSO 3/4 UNC X 4 C S RT G.7		01
07	0503010014	3/4" NUT		01
08	0511064547	APOIO SUPERIOR MOLA AST/MATIC 550		01
09	0511064546	APOIO INFERIOR MOLA AST/MATIC 550		01
10	0503031560	MOLA COMPESSÃO 42,6/44,6 X 350 X 12,7 1		01
11	0531016610	EIXO JUNCAO 3/4X45 AST/MATIC E 550		01
12	0503010362	1/8" X 1.1/4" COTTERPIN		02
13	0501010171	PARAFUSO 1 UNC X 3.1/2 C S G.5		02
14	0503010012	1" SPRING WASHER		02
15	0501010059	1.5/8 NUT		02



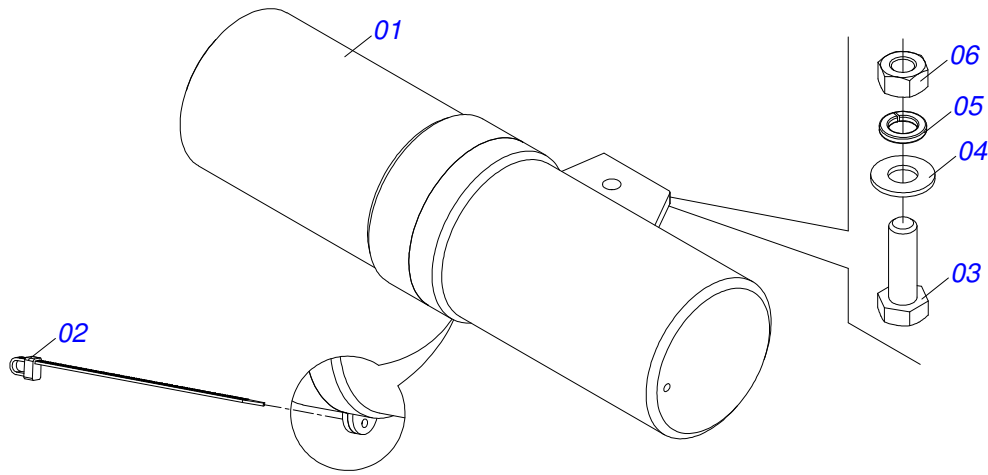
Item	Code	Description	See page	QT
01	0511064544	SUPORE ARTICULADOR ROLO		01
02	0511063807	BRACO ROLO DESTORROADOR		01
03	0531017715	EIXO ARTIC 31,75 X 82,50 C A P Q		02
04	0503010523	1/4" X 2" COTTERPIN		01
05	0503031035	HAIR PIN		01
06	0503013135	PARAFUSO 3/4 UNC X 4 C S RT G.7		01
07	0503010014	3/4" NUT		01
08	0511064547	APOIO SUPERIOR MOLA AST/MATIC 550		01
09	0511064546	APOIO INFERIOR MOLA AST/MATIC 550		01
10	0503031560	MOLA COMPESSÃO 42,6/44,6 X 350 X 12,7 1		01
11	0531016610	EIXO JUNCAO 3/4X45 AST/MATIC E 550		01
12	0503010362	1/8" X 1.1/4" COTTERPIN		02
13	0501010171	PARAFUSO 1 UNC X 3.1/2 C S G.5		02
14	0503010012	1" SPRING WASHER		02
15	0501010059	1.5/8 NUT		02



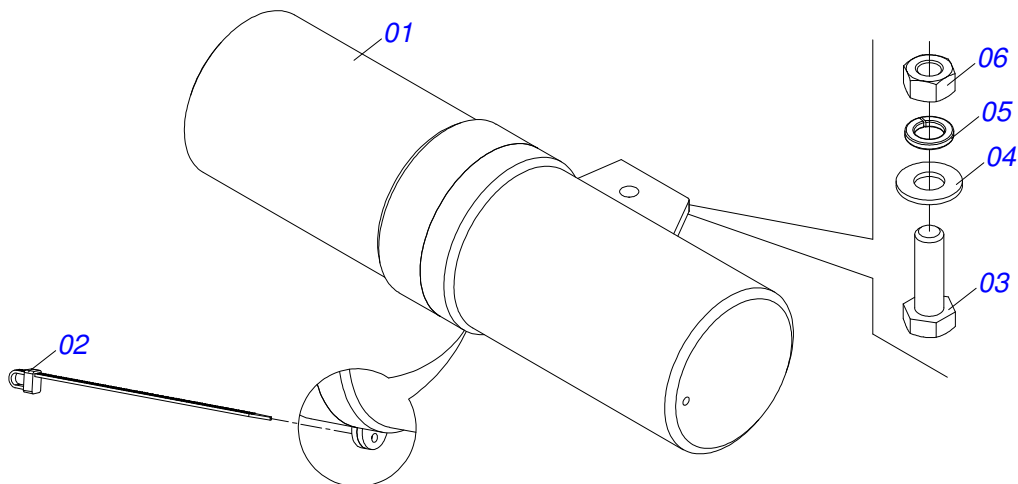
Item	Code	Description	See page	05	07	09
00	0521055504	HOSE KIT 3P - 5H		01	00	00
00.	0521055536	HOSE KIT 3P - 7H		00	01	00
00..	0521055543	HOSE KIT 3P - 9H		00	00	01
01	0501080302	TR-TC HOSE ASSY		02	00	00
02	0501080436	HOSE 3/8 X 1500 TR-TC		02	00	00
03	0501080402	HOSE 3/8 X 1700 TR-TC		00	02	00
04	0501080431	TR-TC HOSE ASSY		00	02	00
05	0501080412	3/8" X 90.55" TR-TC HOSE		00	00	02
06	0501080382	3/8" X 102" TR-TC HOSE ASSY		00	00	02
07	0521055530	3/8 X 1700 TC-TM HOSE BLACK / RED		01	01	01
07A	0501080601	3/8" X 66.9 TC-TM HOSE		01	01	01
07B	0503034492	HYDRAULIC HOSE GRIP (BLACK)		01	01	01
07C	0503034495	HYDRAULIC HOSE GRIP (RED)		01	01	01
07D	0503018952	PLASTIC BOLT		06	06	06
08	0521055531	3/8 X 1700 TC-TM HOSE BLACK / BLUE		01	01	01
08A	0501080601	3/8" X 66.9 TC-TM HOSE		01	01	01
08B	0503034492	HYDRAULIC HOSE GRIP (BLACK)		01	01	01
08C	0503034494	HYDRAULIC HOSE GRIP (BLUE)		01	01	01
08D	0503018952	PLASTIC BOLT		06	06	06
09	0501053834	MALE QUICK COUPLER WITH CAP - 1/2 NPT	32	02	02	02
10	0501068706	DOUBLE CONNECTION		01	01	01
11	0503010237	3/8" X 1" BOLT		02	02	02
12	0501010984	FLAT WASHER		02	02	02
13	0503010025	3/8" SPRING WASHER		02	02	02
14	0503010026	3/8" NUT		02	02	02



Item	Code	Description	See page	QT
01	0503011627	MALE QUICK COUPLER AGR 1/2 NPT		01
02	0503011882	MALE QUICK COUPLER CAP		01



Item	Code	Description	See page	QT
01	0503060100	OPERATOR'S MANUAL STORAGE TUBE		01
02	0503010267	NYLON CLAMP		01
03	0503010363	5/16" X 1" BOLT		01
04	0501010694	8.5 X 18 X 1.5 FLAT WASHER		01
05	0503010179	5/16" ZN SPRING WASHER		01
06	0503010337	5/16" NUT		01
07	0511033689	PLASTIC COVER WITH INSTRUCTIONS MANUAL		01



Item	Code	Description	See page	QT
01	0503060100	OPERATOR'S MANUAL STORAGE TUBE		01
02	0503010267	NYLON CLAMP		01
03	0503010363	5/16" X 1" BOLT		01
04	0501010694	8.5 X 18 X 1.5 FLAT WASHER		01
05	0503010179	5/16" ZN SPRING WASHER		01
06	0503010337	5/16" NUT		01
07	0511032611	PLASTIC COVER WITH INSTRUCTIONS MANUAL		01



www.marchesan.com.br



Technical Publications | Elaboration and Revision
ALESSANDRA PATRICIA KAWAHARA CARRILI