

PARTS CATALOG

PD - FRONT LOADER

PD VALTRA A114 - A124 - A134 BT CDC JS

Code: 0501092610



Series: S-0418

Rev.: 00

Date Rev.: OUTUBRO/2019

**ORIGINAL PARTS
TATU**



PRODUCTS

Code
0106020457

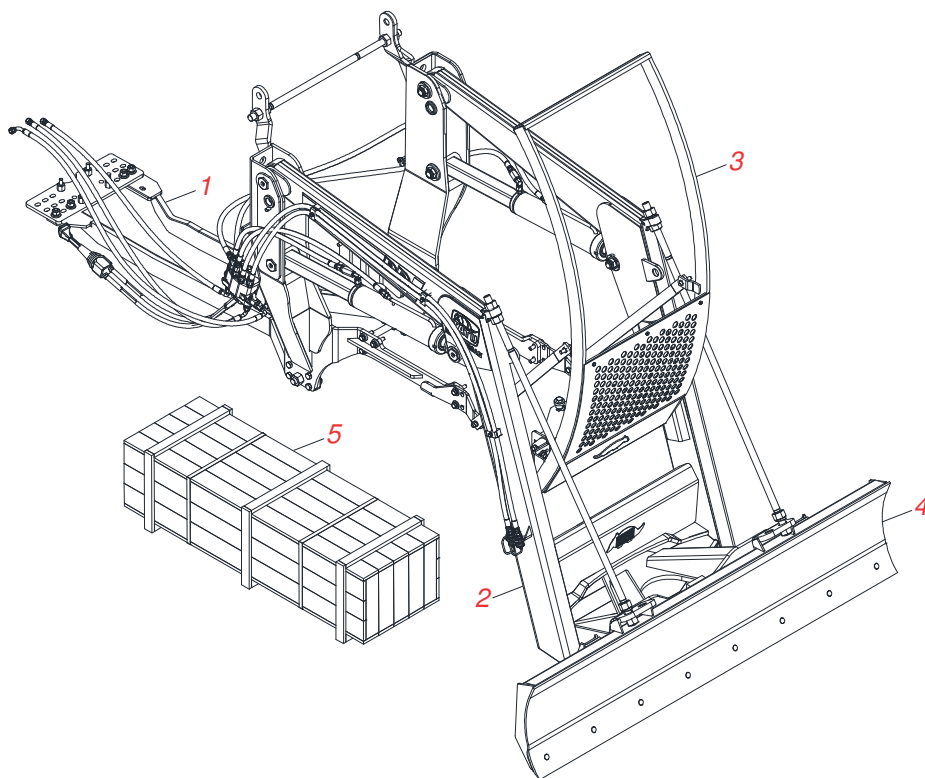
Description
PD VALTRA A114/A124/A134 BT CDC JS S-0418

ATTENTION: *IMPORTANT*

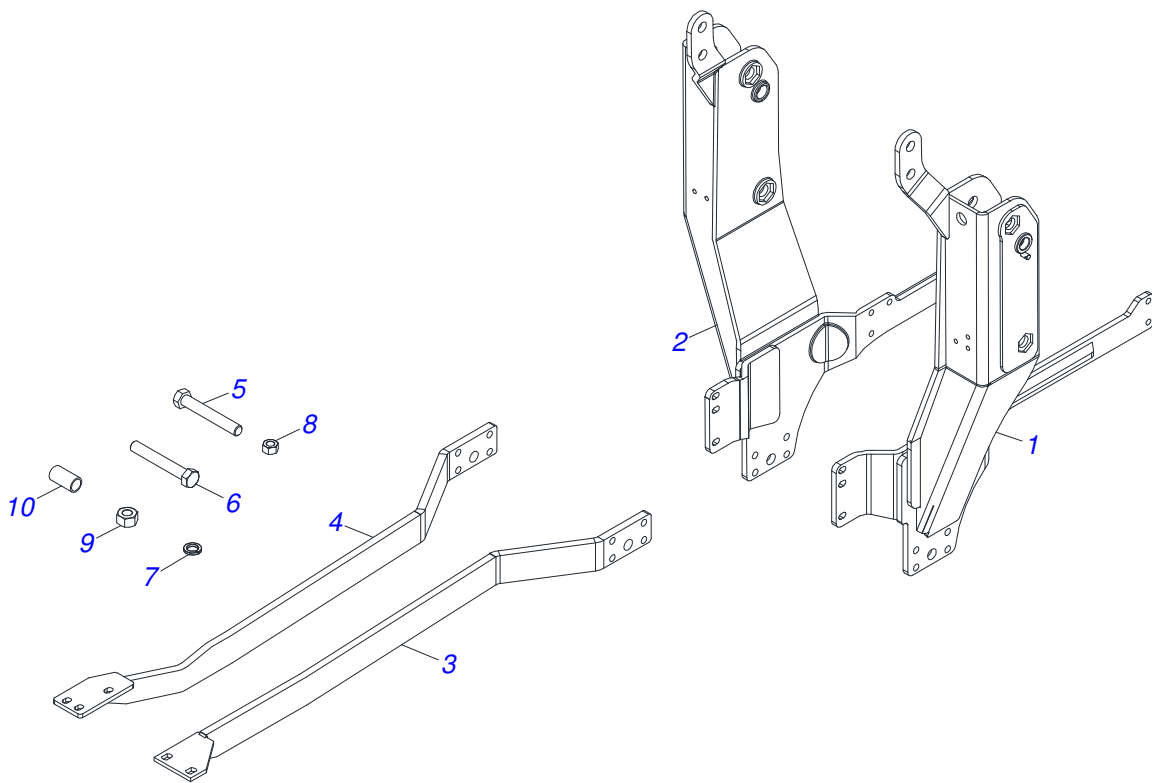
MARCHESAN S/A RESERVES THE RIGHT AT ANY TIME TO MAKE IMPROVEMENTS IN THE DESIGN, MATERIAL OR SPECIFICATIONS OF MACHINERY, EQUIPMENT OR PARTS WITHOUT THEREBY BECOMING LIABLE TO MAKE SIMILAR CHANGES IN MACHINERY, EQUIPMENT OR PARTS PREVIOUSLY SOLD.

INDEX

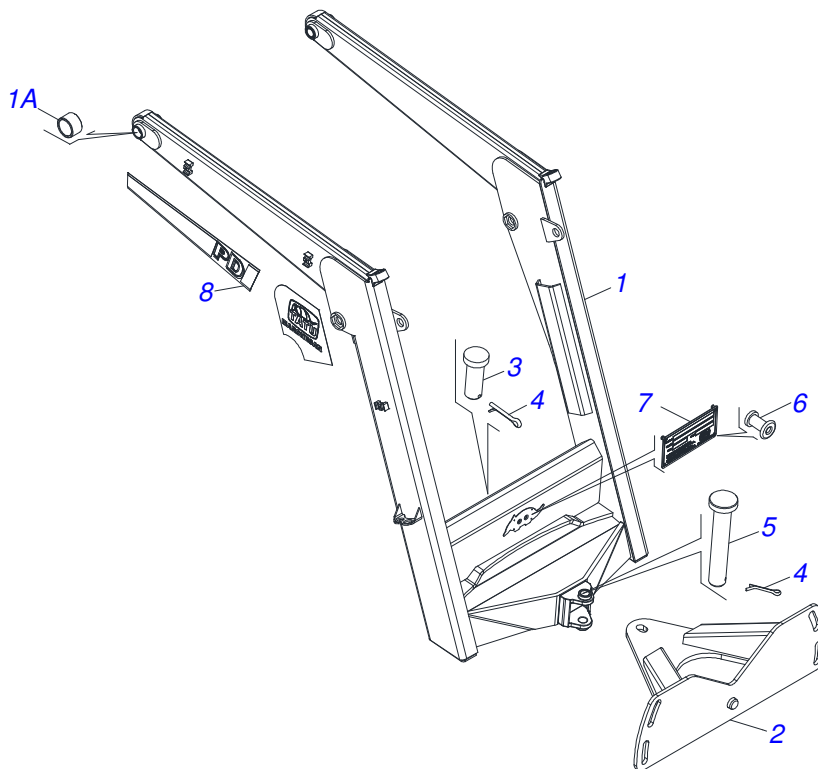
0106020457	PD VALTRA A114/A124/A134 BT CDC JS S-0418	1
0521047934	FRAME ASSEMBLY WITH DRAWBAR	2
0521047902	MOBILE SUPPORT ASSY	3
0501048330	MOBILE SUPPORT GUIDE ASSY	4
0511047750	2400 SCRAPER COMPLETE WITH STABILIZER BRACKET	5
0521024387	COMPONENT BOX	6
0909093629	MOBILE SUPPORT COMPONENTS	7
0909093636	FRAME COMPONENTS	8
0521047923	ROD	9
0521045393	SET SUPPORT JOY STICK	10
0521047926	1/2" COMMAND	11
0511043351	1.1/4" X 40" ROD	12
0521047924	ROD	13
0909098582	HYDRAULIC SYSTEM	14
0511057771	R.7/8UNF - SAFETY VALVE	15
0521051546	HYDRAULIC CYLINDER	16
0511033108	PACKED PARTS	17
0909098583	PACKED PARTS (MOBILE SUPPORT/GUIDE)	18
0909093639	PACKED PARTS (FRAME)	19



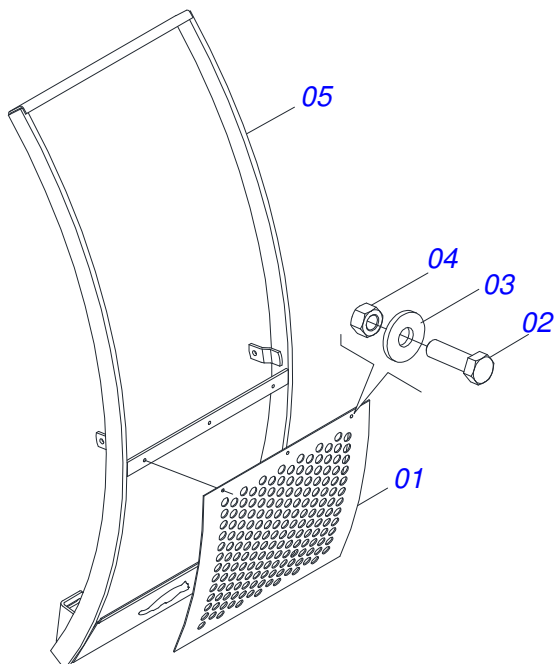
Item	Code	Description	See page	QT
001	0521047934	FRAME ASSEMBLY WITH DRAWBAR	2	01
002	0521047902	MOBILE SUPPORT ASSY	3	01
003	0501048330	MOBILE SUPPORT GUIDE ASSY	4	01
004	0511047750	2400 SCRAPER COMPLETE WITH STABILIZER BRACKET	5	01
005	0521024387	COMPONENT BOX	6	01



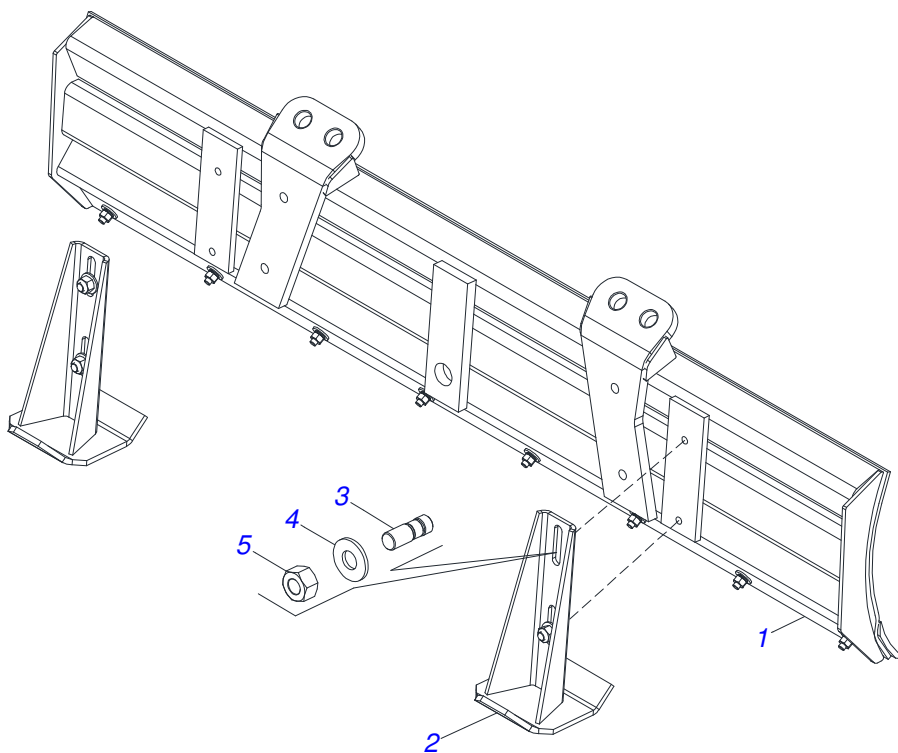
Item	Code	Description	See page	QT
001	0521068518	RIGHT FRAME		01
002	0521068515	LEFT FRAME		01
003	0521068622	RIGHT BAR		01
004	0521068621	LEFT BAR		01
005	0503010233	5/8" X 2-1/2" BOLT		02
006	0503011084	3/4" X 5" BOLT		04
007	0503010023	SPRING WASHER		04
008	0503010013	5/8" NUT		02
009	0503010014	3/4" NUT		04
010	0581015170	SLEEVE		04



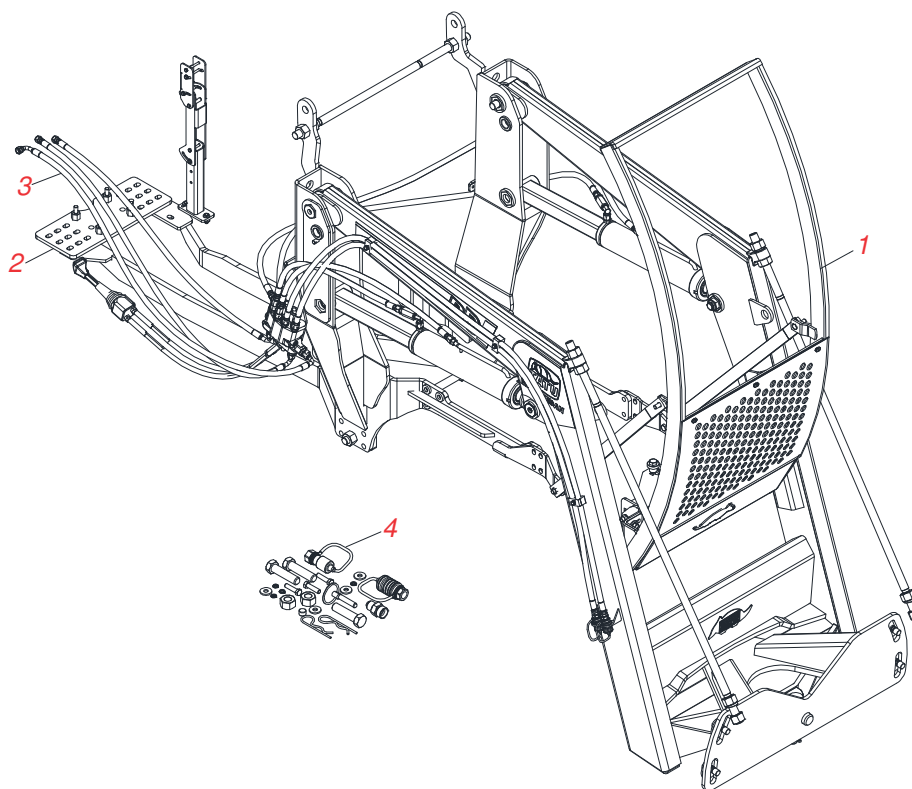
Item	Code	Description	See page	QT
001	0521068513	MOBILE SUPPORT		01
001A	0501110825	SLEEVE		02
002	0501062637	5/8" REGULATOR SUPPORT		01
003	0521010618	1.4" X 8.6" COUPLING SHAFT		01
004	0503010010	1/4" X 2.1/2" COTTERPIN		02
005	0521010612	1.4" X 3.5" COUPLING SHAFT		01
006	0503010001	RIVET POP		04
007	0503034003	ALUMINUM IDENTIFICATION LABEL		01
008	0503062270	SET LABEL ADHESIVE		01



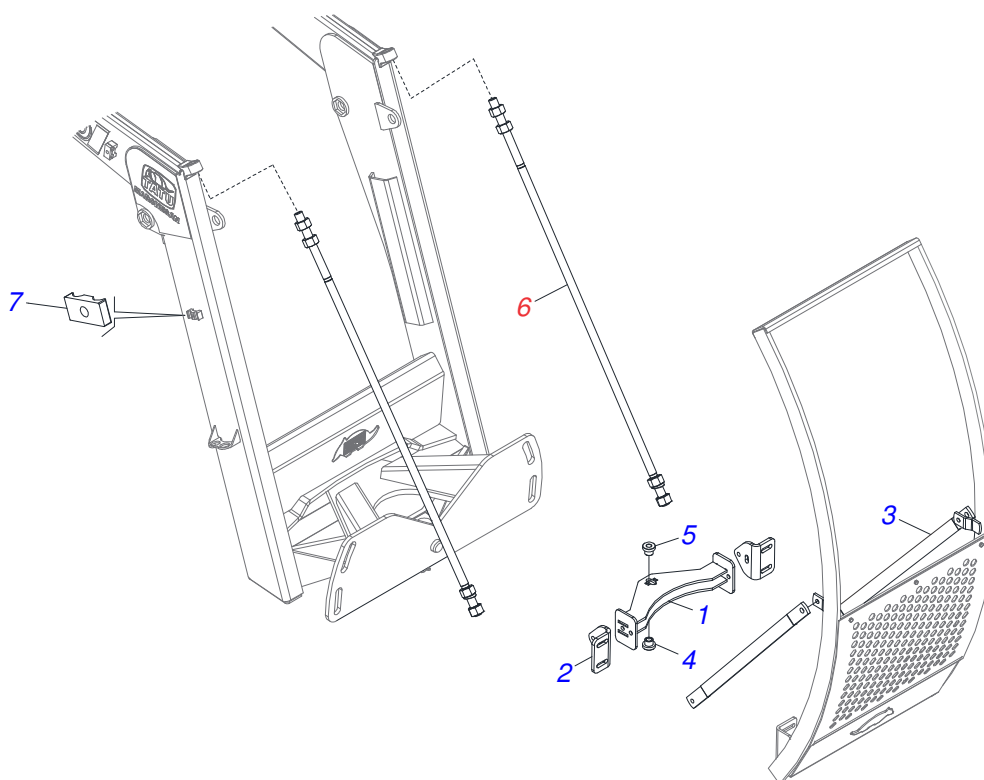
Item	Code	Description	See page	QT
01	0501014686	FRONT PROTECTION		01
02	0503010751	C3/8" X 1.1/4" HEX BOLT G.5		03
03	0501010984	FLAT WASHER		03
04	0503010026	3/8" NUT		03
05	0511061998	MOBILE SUPPORT GUIDE ASSY		01



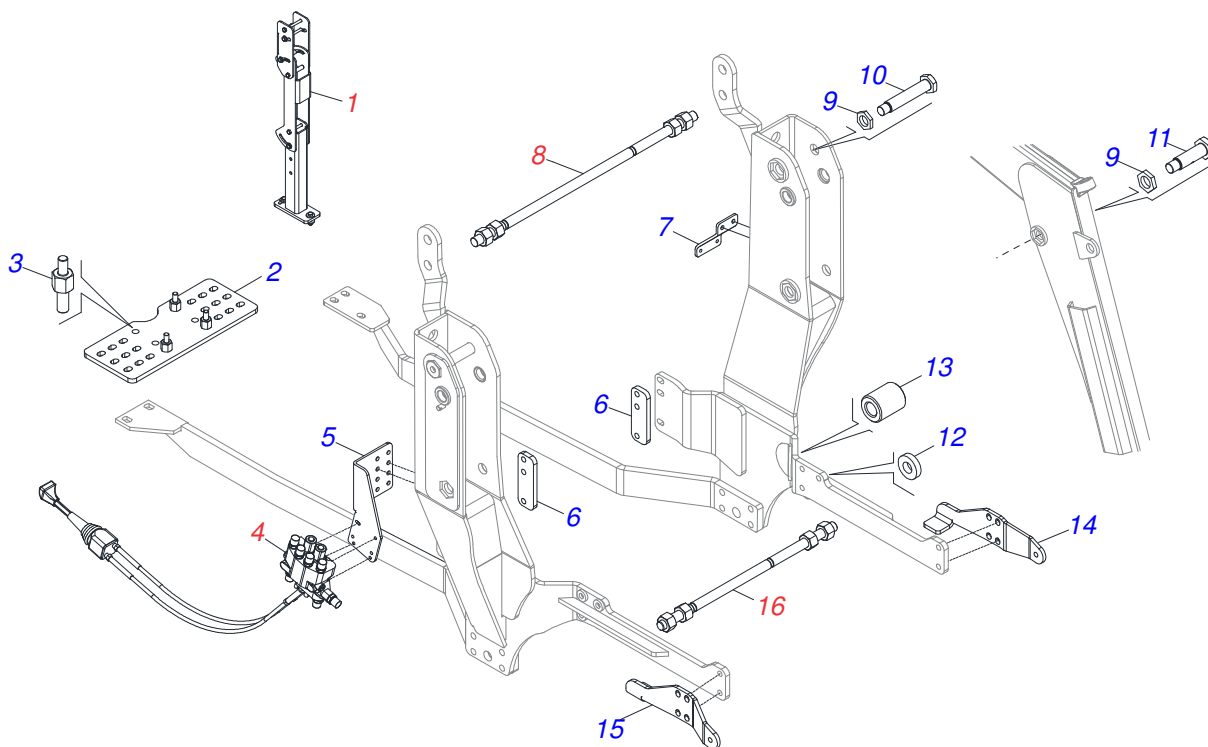
Item	Code	Description	See page	QT
01	0501047708	2400 BLADE SUPPORT		01
02	0501063411	ESTABILIZER BRACKET		02
03	0561016756	3/4 UNC X 3/4 UNC X 56 PRISONER		04
04	0501010322	FLAT WASHER		04
05	0503010014	3/4" NUT		04



Item	Code	Description	See page	QT
01	0909093629	MOBILE SUPPORT COMPONENTS	7	01
02	0909093636	FRAME COMPONENTS	8	01
03	0909098582	HYDRAULIC SYSTEM	14	01
04	0511033108	PACKED PARTS	17	01

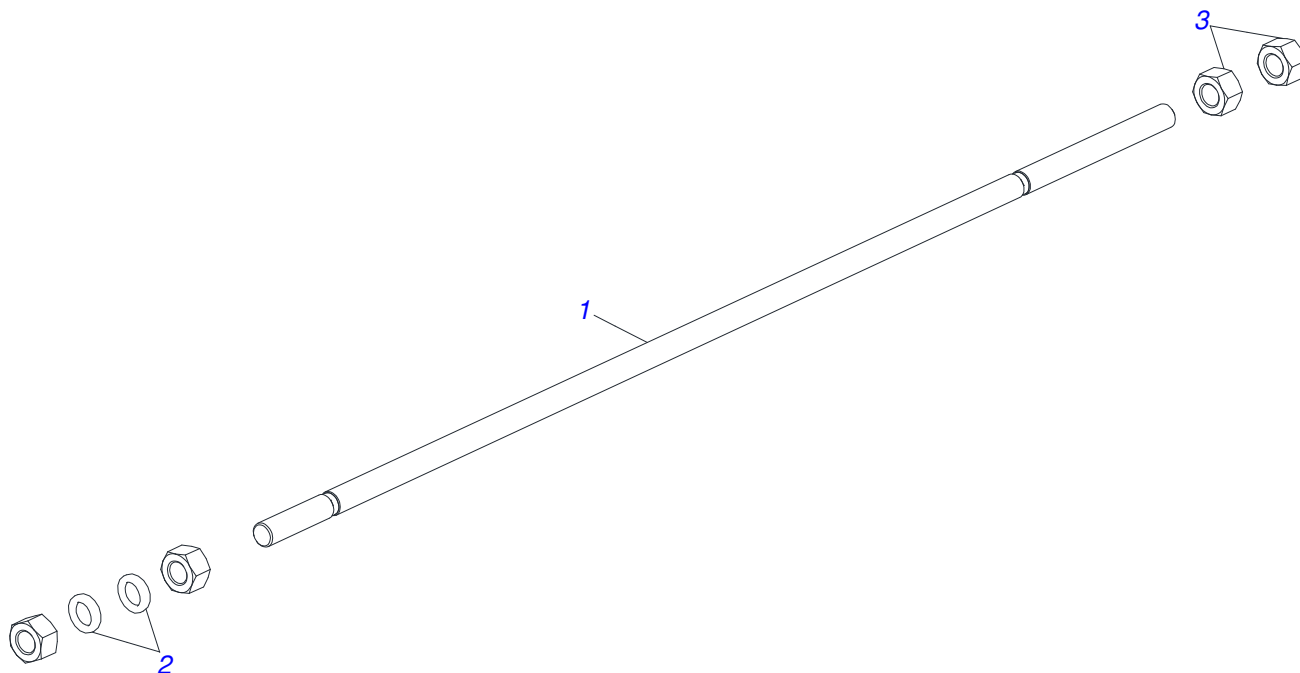


Item	Code	Description	See page	QT
01	0521068624	GUIDES FIXER		01
02	0571014003	FASTENING BRACKET OF THE HIGH GUIDE		02
03	0581016940	FRENCH HAND		02
04	0591010509	SLEEVE		01
05	0581016942	SLEEVE		01
06	0521047923	ROD	9	02
07	0502010477	UPPER CLIP		03

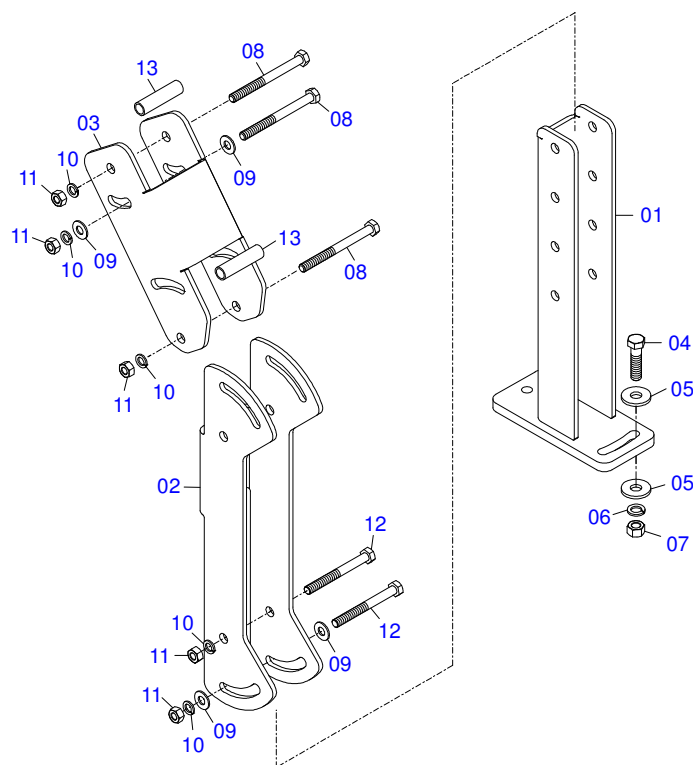


Item	Code	Description	See page	QT
01	0521045393	SET SUPPORT JOY STICK	10	01
02	0581016683	PLATE REAR		01
03	0581016974	STUD		04
04	0521047926	1/2" COMMAND	11	01
05	0581017015	FIXER BASE		01
06	0581016631	REAR CHOCK		02
07	0581016630	FIXER SUPPORT		01
08	0511043351	1.1/4" X 40" ROD	12	01
09	0581010243	WASHER HEX		06
10	0581015006	BOLT		04
11	0581016852	BOLT		02
12	0591010147	FLAT WASHER		06
13	0581017017	SLEEVE		04
14	0581016770	LEFT BEATER		01
15	0581016769	RIGHT BEATER		01
16	0521047924	ROD	13	01

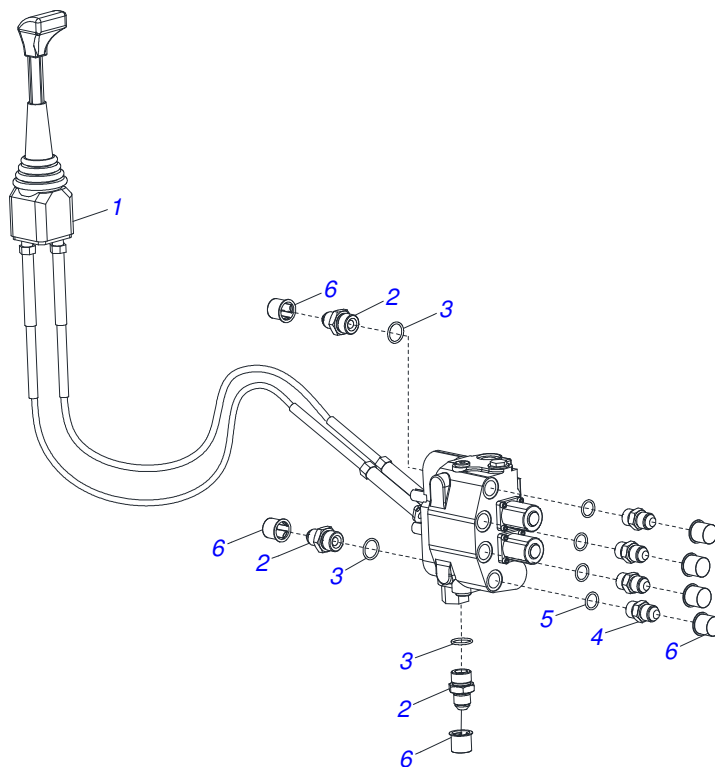
ROD



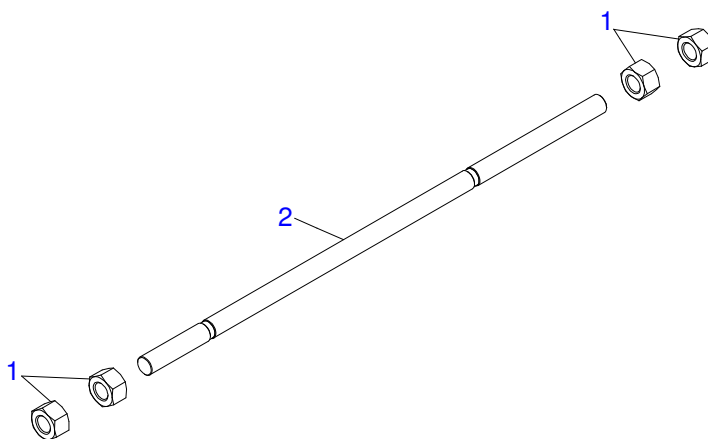
Item	Code	Description	See page	QT
001	0581016637	ROD		01
002	0502012180	CONICAL SPRING WASHER		02
003	0501010087	1.1/4" NUT		04



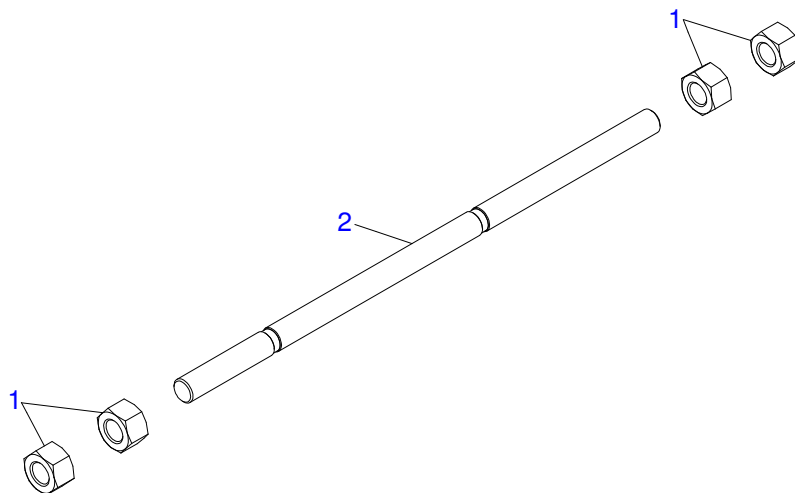
Item	Code	Description	See page	QT
01	0521065789	LOWER JOYSTICK SUPPORT PCA		01
02	0571018376	CENTRAL BODY SUPPLEMENT OF JOYSTICK PCA		01
03	0571018375	SUPERIOR BODY SUPPLEMENT OF JOYSTICK PCA		01
04	0503010849	3/8" X 1-1/2" BOLT		02
05	0501010984	FLAT WASHER		02
06	0503010025	3/8 SPRING WASHER		02
07	0503010026	3/8" NUT		02
08	0503010848	5/16" X 3.1/2" BOLT		04
09	0501010694	FLAT WASHER		06
10	0503010179	SPRING WASHER		06
11	0503010337	5/16" NUT		06
12	0503011053	5/16" X 3" C S 6.5 ZN BOLT		02
13	0541015551	0.39" X 0.512" X 1.9" SLEEVE		02



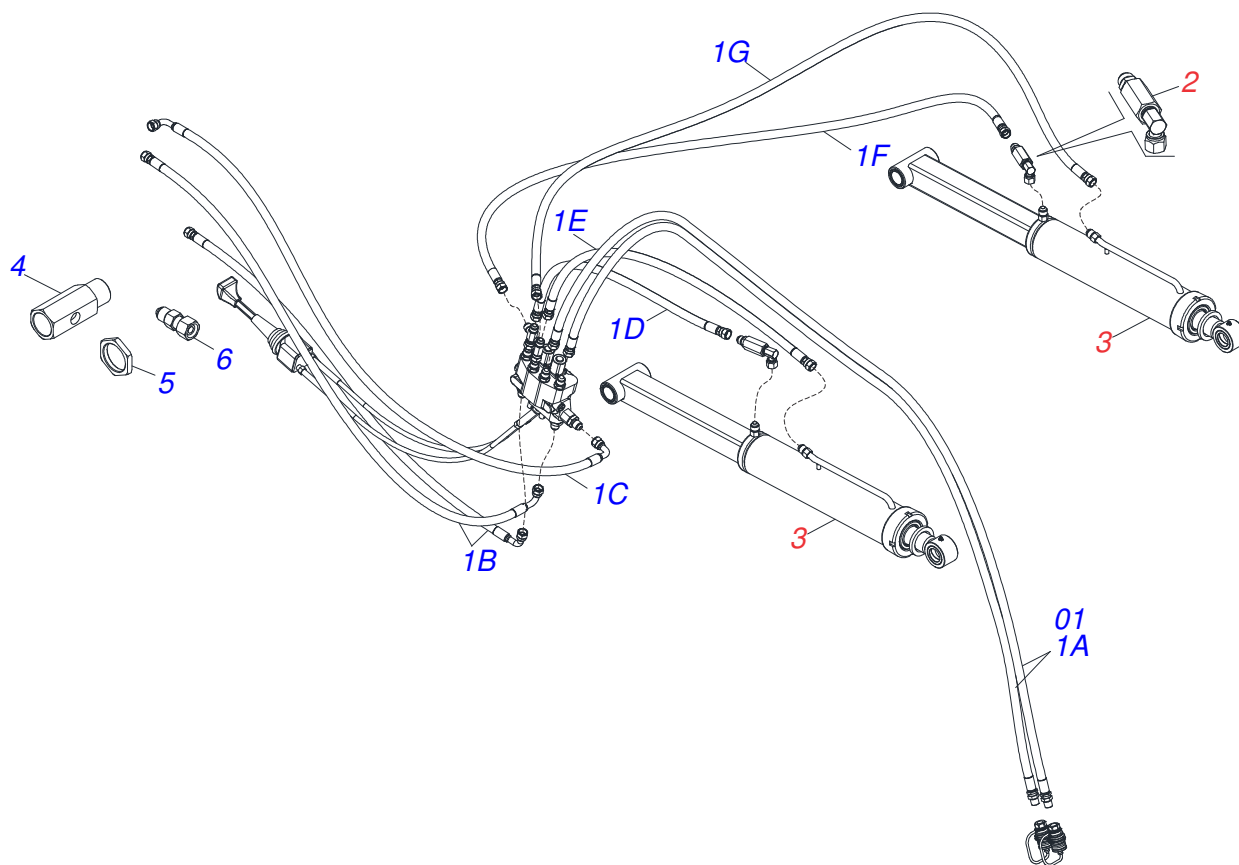
Item	Code	Description	See page	QT
001	0503062415	COMPLETE JOYSTICK CONTROL SDM122/2		01
002	0511018014	7/8"NF X 1.1/16 UN NIPPLE		03
003	0503011109	2-119 N 3006-9B O'RING		03
004	0501010590	7/8" REDUCTION NIPPLE		04
005	0503010045	2-116 N 3006-9B O'RING		04
006	0503030387	PLUG		07



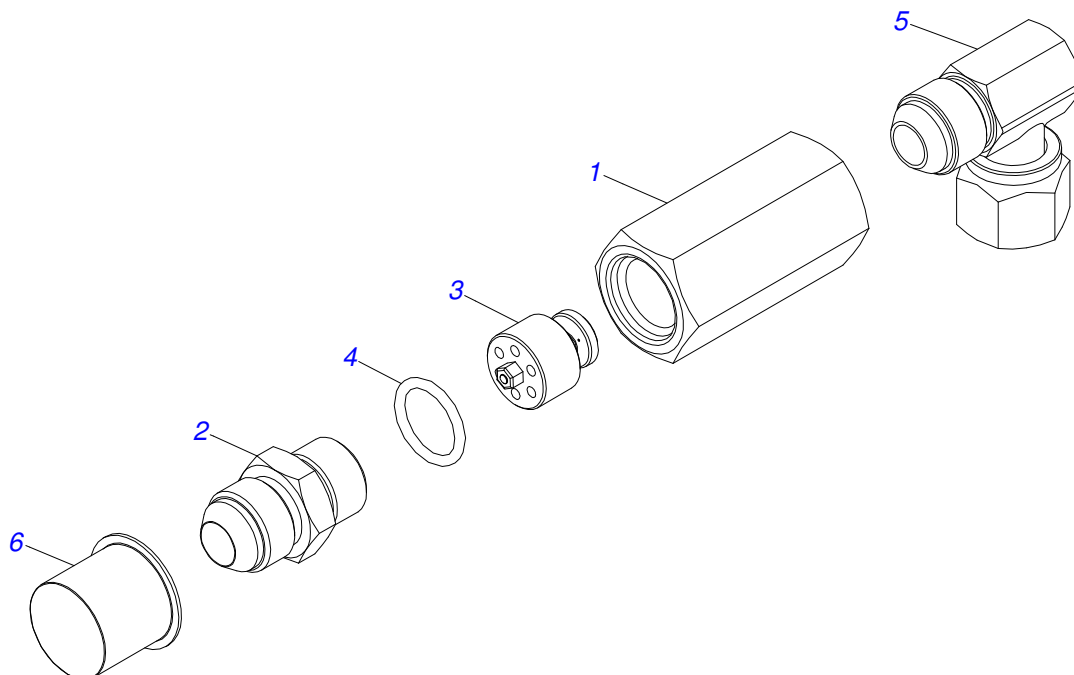
Item	Code	Description	See page	QT
01	0501010087	1.1/4" NUT		04
02	0541015018	ROD 1.1/4 NC X 1000 PCA-T 1750		01



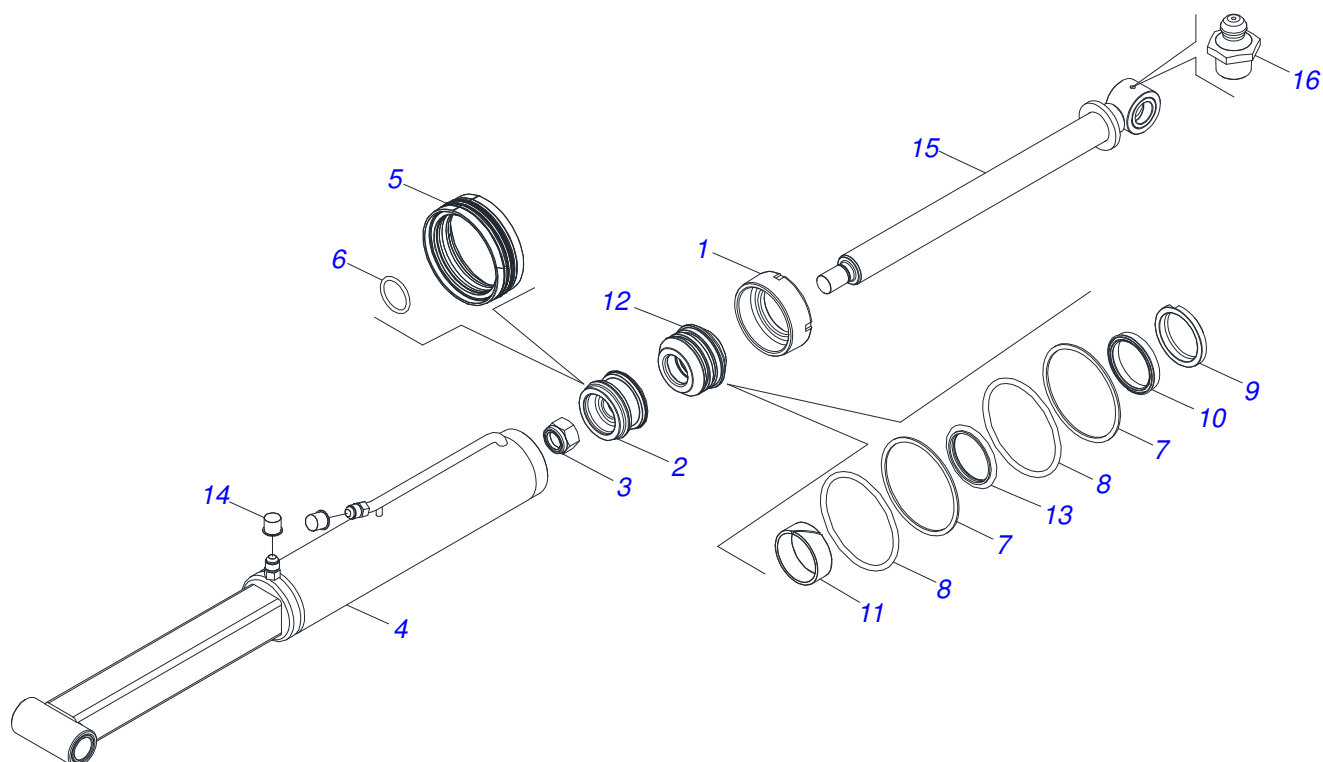
Item	Code	Description	See page	QT
01	0501010087	1.1/4" NUT		04
02	0581016870	ROD		01



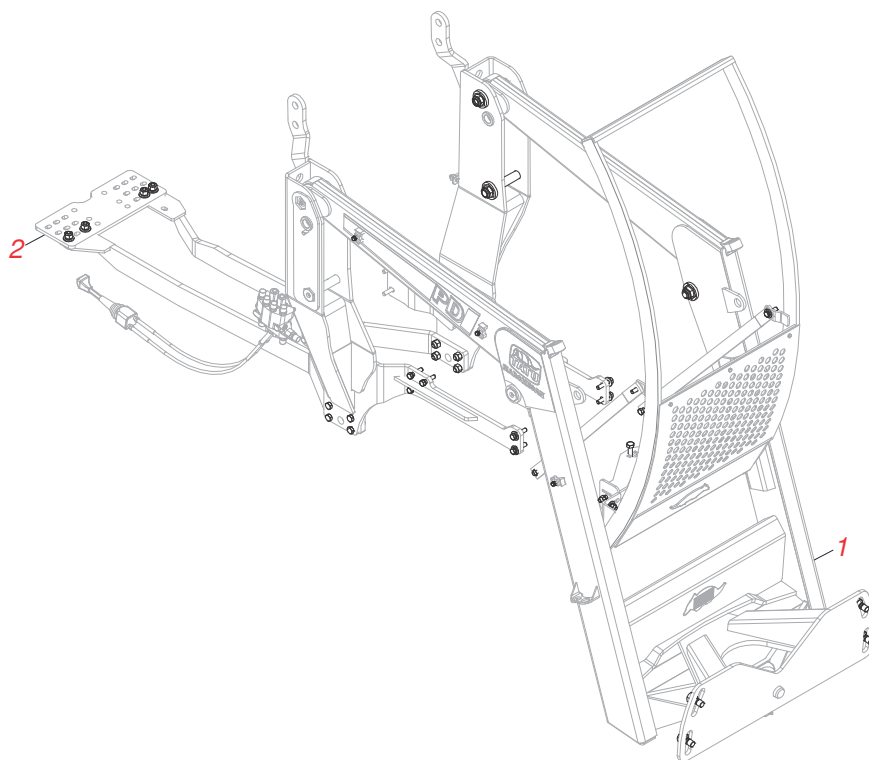
Item	Code	Description	See page	QT
01	0521052691	HOSE ASSY		01
01A	0501081384	HOSE		02
01B	0501080272	1/2 X 2700 TR-TC HOSE		02
01C	0501080273	1/2 X 2700 HOSE TC-TC		01
01D	0501080197	HOSE		01
01E	0501080171	HOSE		01
01F	0501080307	1/2" X 2150 TR-TR HOSE		01
01G	0501080336	1/2" X 2450 TR-TR HOSE		01
02	0511057771	R.7/8UNF - SAFETY VALVE	15	02
03	0521051546	HYDRAULIC CYLINDER	16	02
04	0581016628	ADAPTER BODY		01
05	0581016949	LOCKNUT		01
06	0521068623	7/8 ADAPTER		01



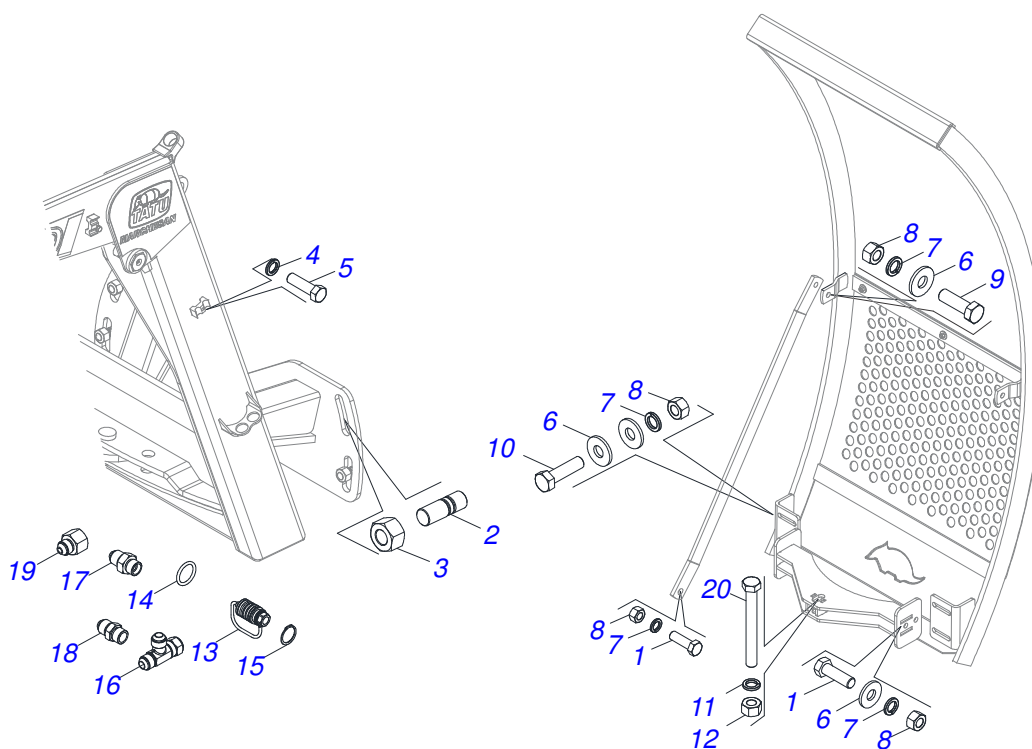
Item	Code	Description	See page	QT
01	0503018033	37 X R.7/8 UNF 90° JIC MALE CONNECTOR WITH ROTATING NUT		01
02	0581014053	1/2 BSP X 7/8 UNF JIC X 64 ADAPTER - GATG		01
03	0503016854	VALVE ASSY		01
04	0503010045	2-116 N 3006-9B O'RING		01
05	0581014052	1/2 BSP X 7/8 UNF JIC X 43 NIPLE - PD/PCA		01
06	0503030387	PLUG		01



Item	Code	Description	See page	QT
001	0502012822	101,60 MOBILE COVER		01
002	0502012842	50,80 X 101,60 PISTON		01
003	0503010817	1-1/4" SELF-ADJUSTING NUT		01
004	0511071242	CYLINDER CASE		01
005	0503015633	SELEMASTER SEALING		01
006	0503018029	2-217 O'RING		01
007	0503011061	8-342 BACK-UP RING		02
008	0503010338	2-342 N 3006-9B O'RING		02
009	0503010039	D-2000 SCRAPER RING		01
010	0503018026	1870-2000-375 B GASKET		01
011	0503018025	RING GUIDE		01
012	0502012821	50,80 X 101,60 RING SUPPORT		01
013	0503018024	RING BS		01
014	0503030387	PLUG		02
015	0521068050	TURNBUCKLE		01
016	0503010002	1800 GREASE FITTING		01
017	0511032211	HYDRAULIC CYLINDER REPAIR KIT		

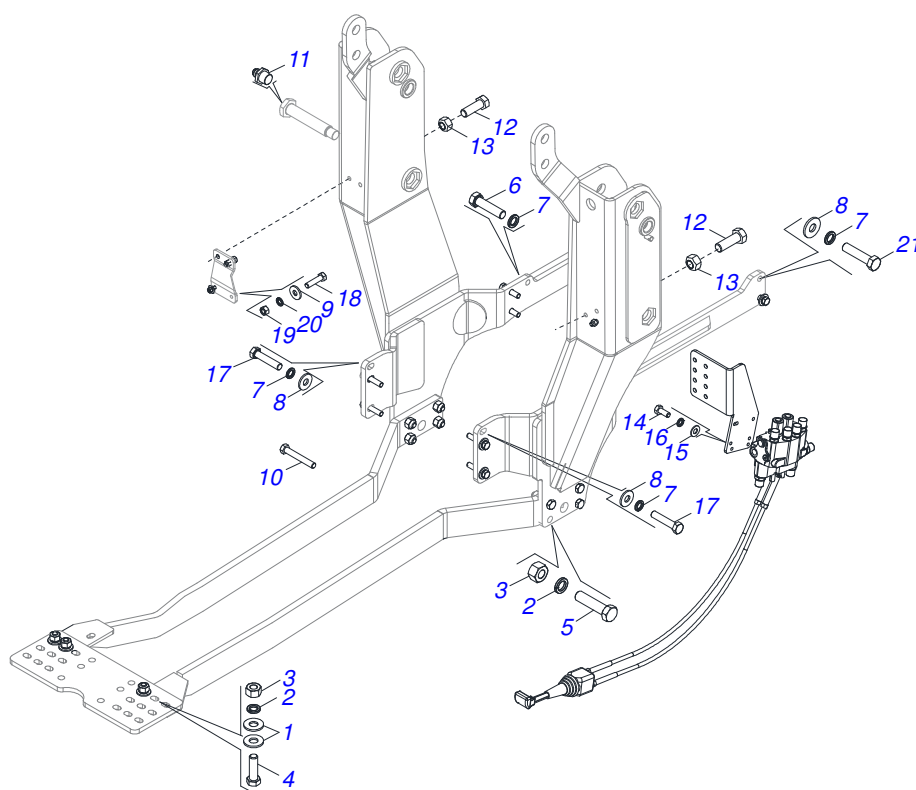


Item	Code	Description	See page	QT
01	0909098583	PACKED PARTS (MOBILE SUPPORT/GUIDE)	18	
02	0909093639	PACKED PARTS (FRAME)	19	



Item	Code	Description	See page	QT
01	0503011243	5/8" X 2" BOLT		06
02	0561016755	PRISONER 1 UNC X 1 UNC X 76 ZN		04
03	0501010059	1.5/8 NUT		04
04	0503010180	7/16" SPRING WASHER		03
05	0503011135	7/16" X 1-1/2" BOLT		03
06	0501012140	FLAT WASHER		16
07	0503010027	SPRING WASHER		16
08	0503010013	5/8" NUT		10
09	0501010100	5/8 UNC X 2 C S G.5 BOLT		02
10	0503010899	5/8" X 2-1/4" BOLT		04
11	0503010023	SPRING WASHER		01
12	0503010014	3/4" NUT		01
13	0501053835	FEMALE QUICK COUPLER		02
14	0503011030	2-014 N 3006-9B O'RING		01
15	0503010217	501040 CLAMPING RING (FOR AXLE)		04
16	0503062177	7/8 (V.C) T-ADAPTER WITH NUT		02
17	0581016941	NIPPLE		01
18	0501010590	7/8" REDUCTION NIPPLE		01
19	0571019584	7/8 UNF NIPLE		01

PACKED PARTS (FRAME)



Item	Code	Description	See page	QT
01	0501010322	FLAT WASHER		12
02	0503010023	SPRING WASHER		16
03	0503010014	3/4" NUT		20
04	0503013390	3/4" UNC BOLT		04
05	0501010500	3/4"X3"BOLT		08
06	0503012573	M16 X 2 X 65 BOLT		06
07	0503010027	SPRING WASHER		24
08	0501012140	FLAT WASHER		21
09	0501010984	FLAT WASHER		02
10	0503011084	3/4" X 5" BOLT		04
11	0503010002	1800 GREASE FITTING		06
12	0501010063	1/2" X 1-1/2" BOLT		04
13	0503011336	1/2" HEX SELF ADJUSTING NUT		04
14	0503016506	5/16 UNC X 3/4 C S G.5 ZN BOLT		04
15	0501010694	FLAT WASHER		04
16	0503010179	SPRING WASHER		04
17	0503012693	M16 X 2 X 75 BOLT		06
18	0503010849	3/8" X 1-1/2" BOLT		02
19	0503010026	3/8" NUT		02
20	0503010025	3/8 SPRING WASHER		02
21	0503019419	BOLT		04



MARCHESAN IMPLEMENTOS E MÁQUINAS AGRÍCOLAS TATU S.A.
AV. Marchesan, 1979 - Post office box, 131 - CEP 15994-900 - Matão - SP - Brazil
Phone +55 16.3382-8282
(FAX Parts) + 55 16.3382. 8297 - (Export) + 55 16.3382.1003
e.mail: tatu@marchesan.com.br www.marchesan.com.br

Technical Publications: Elaboration

MARINA PEREZ NIZA

Technical Publications: Revision

MARINA PEREZ NIZA

Contact Catálogo:

E-mail = jgaspari@marchesan.com.br

**ORIGINAL PARTS
TATU**

