

**ROTARY CUTTERS**

## **RC2E 2600 LSL**

**Code:** 0501092579  
**Series:** S-0516  
**Revision:** 00  
**Date Revision:** JULHO/2022

# **PARTS CATALOGUE**



**MARCHESAN**



# PRODUCTS

Code	Description
0104120075C	RC2/E 2600 LSL C/PROT EXP S-0516
0104120075	RC2/E 2600 LSL C/PROT S-0516

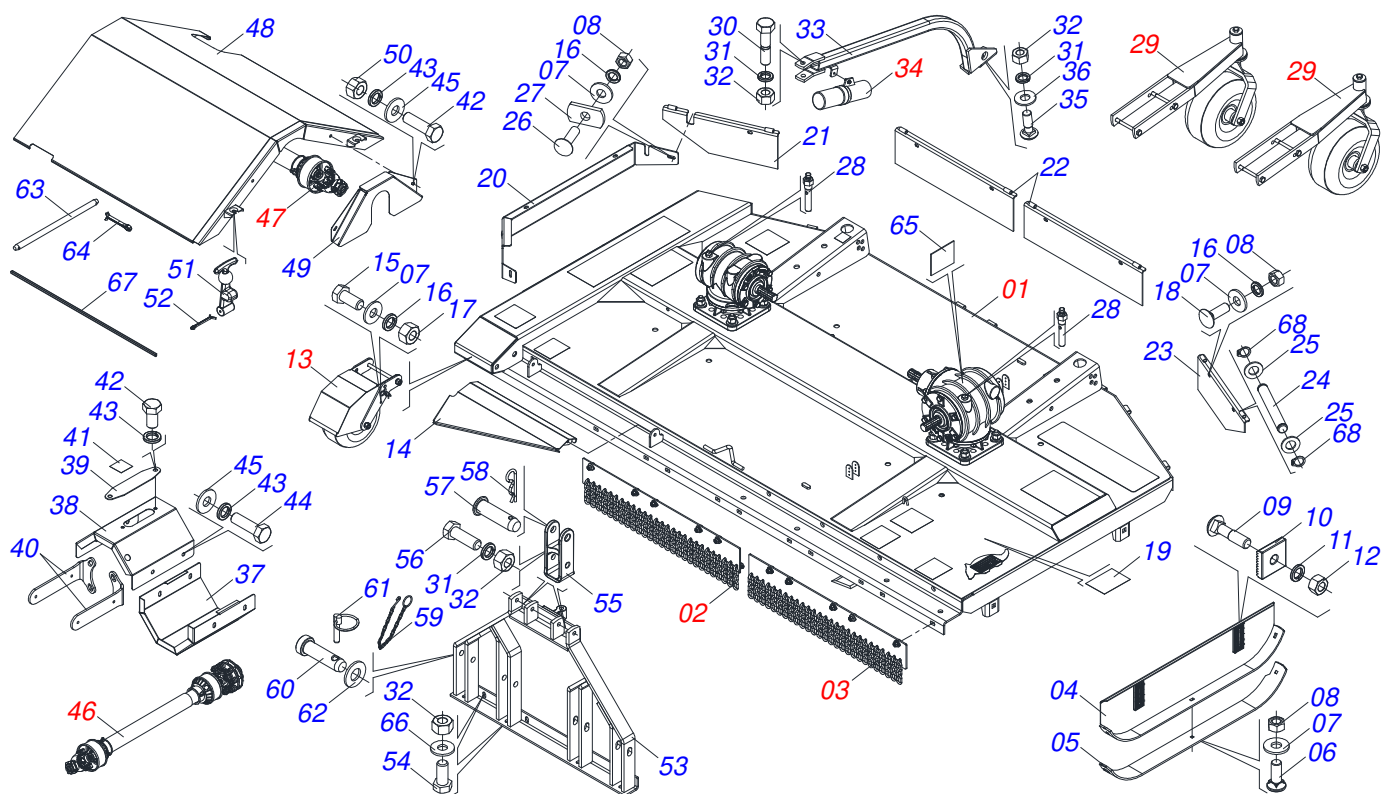
## ATTENTION: IMPORTANT

Marchesan S.A. reserves the right to improve and/or modify the technical features of its products, without obligation to do the same with those products already sold and without prior knowledge of the dealer or the consumer. The photos are only illustrative.



# INDEX

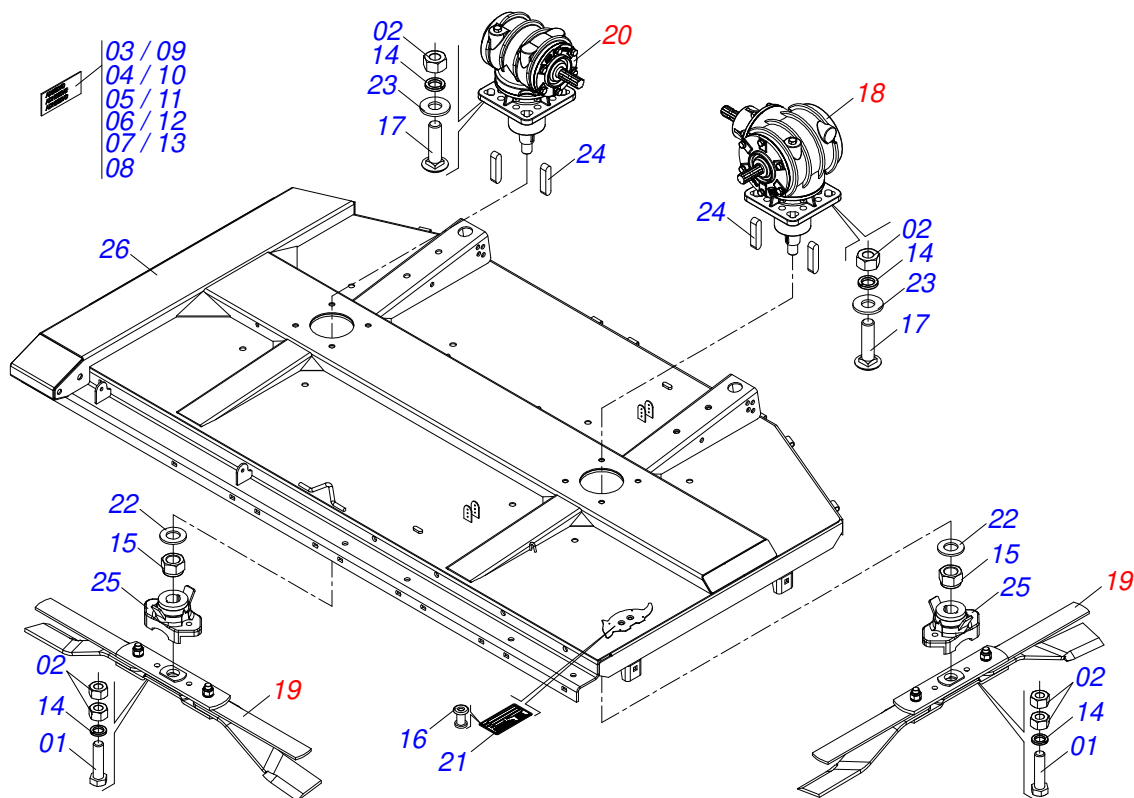
0909095425	FRAME ASSY	.....	1
0501056297	SEMIFINISHED FRAME	.....	2
0501047684	DISTRIBUTOR MULTIPLIER	.....	3
0501056332	SUPPORT 340 WITH ROCADOR	.....	4
0511040882	SPEED TRANSMISSION	.....	5
0511059718	LEFT CURRENT PROTECTION	.....	6
0511059717	RIGHT CURRENT PROTECTION	.....	7
0511044473	FRONT WHEEL RIGHT WITH ASSY PROTECTION	.....	8
0521044739	CARRYING WHEELS ASSY	.....	9
0521051851	MANUAL CANISTER ASSY	.....	10
0501045426	DRIVE SHAFT	.....	11
0501045888	DRIVE SHAFT	.....	12



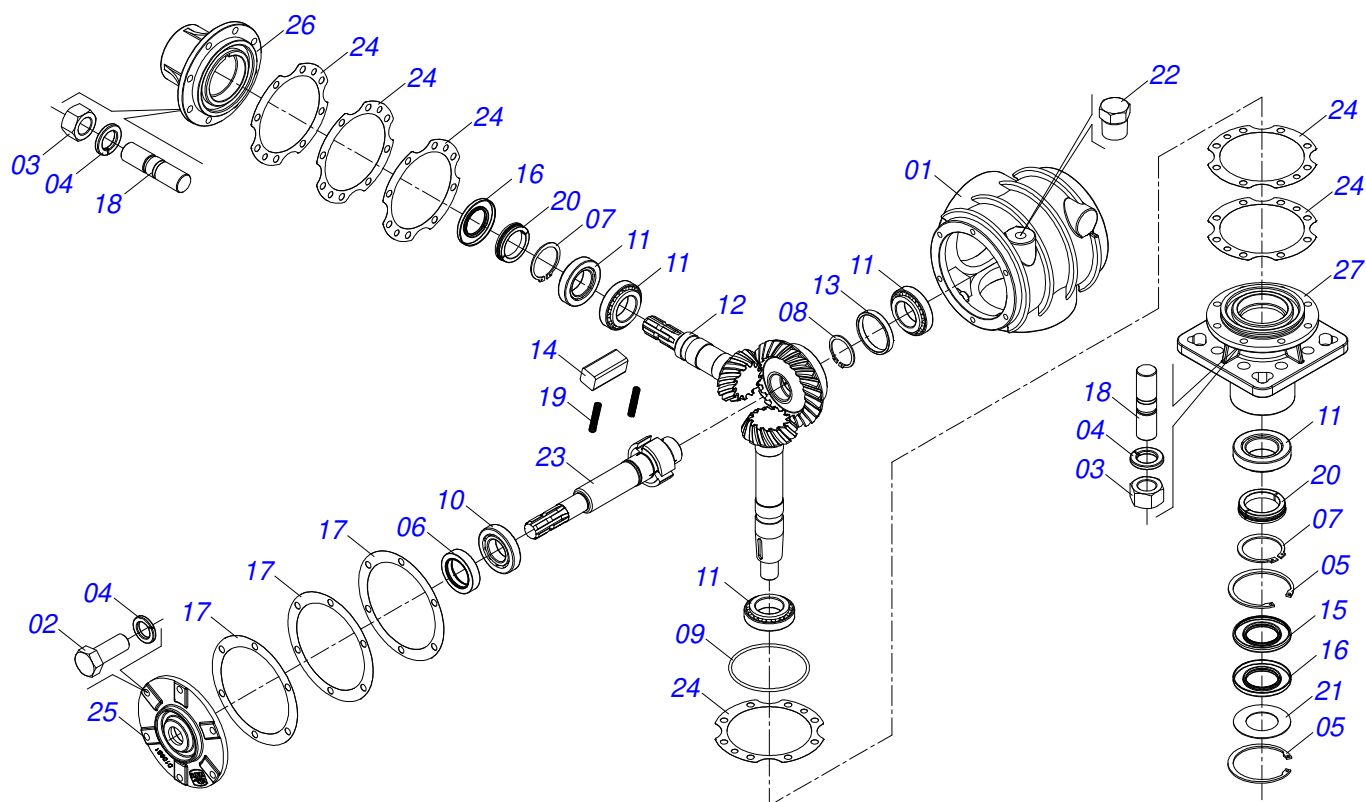
Item	Code	Description	See page	QT
01	0501056297	SEMIFINISHED FRAME	2	01
02	0511059718	LEFT CURRENT PROTECTION	6	01
03	0511059717	RIGHT CURRENT PROTECTION	7	01
04	0511065799	SKID		01
05	0531019433	SKID GUIDE		01
06	0503012956	1/2" X 1-1/2" BOLT		03
07	0511017302	FLAT WASHER		15
08	0503012682	1/2" BSW NUT		14
09	0501014177	5/8" X 2-1/2" BOLT		02
10	1902010083	SQUARE WASHER		02
11	0503010027	5/8" SPRING WASHER		02
12	0503010013	5/8" NUT		02
13	0511044473	FRONT WHEEL RIGHT WITH ASSY PROTECTION	8	01
14	0511065814	FRONT PROTETION COVER		01
15	0503010395	1/2" X 1-1/4" BOLT		01
16	0503010019	1/2" SPRING WASHER		12
17	0503010060	1/2" NUT		01
18	0501011600	1/2" X 1-1/4" BOLT		10
19	0503031087	ADHESIVE LABEL		01
20	0581015301	RIGHT SIDE PROTECTION BODY		01
21	0521060005	RIGHT BACK PROTECTION		01
22	0521060006	CENTRAL REAR PROTECTION		02
23	0521060007	LEFT REAR PROTECTION		01
24	0501213766	PIN WITH GROOVES		08
25	0503011828	FLAT WASHER		16
26	0501011194	1/2" X 1-3/4" BOLT		01
27	0551019824	RH PROTECTION LOCK		01
28	0501110186	OIL SMALLER LEVEL INDICATOR		02
29	0521044739	CARRYING WHEELS ASSY	9	02
30	0501010216	3/4" X 4-1/2" BOLT		01
31	0503010023	3/4" SPRING WASHER		04



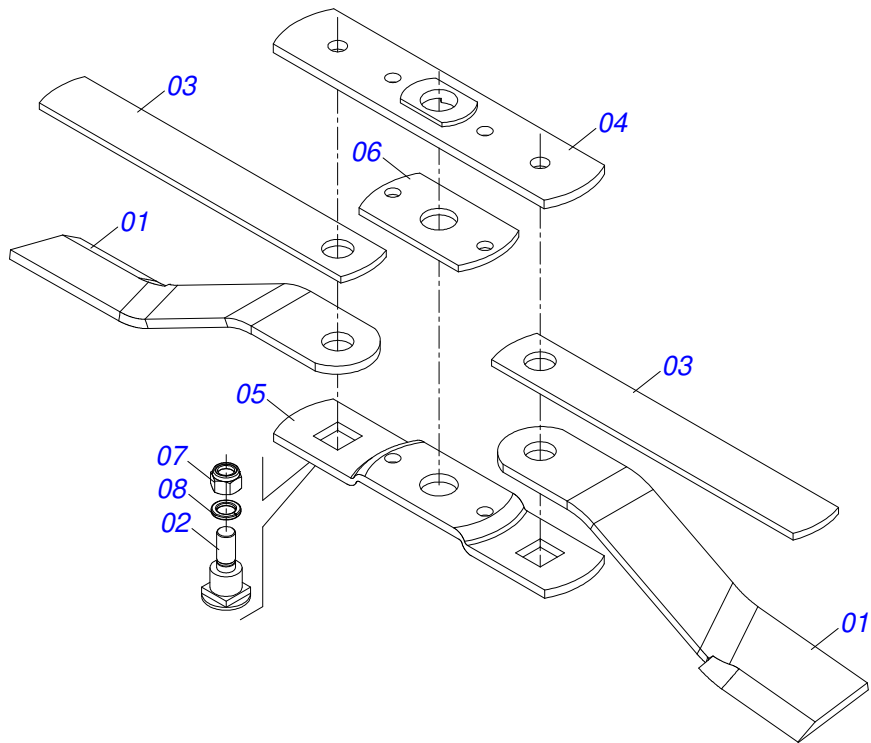
Item	Code	Description	See page	QT
32	0503010014	3/4" NUT		12
33	0501067540	FRENCH HAND		01
34	0521051851	MANUAL CANISTER ASSY	10	01
35	0501017305	3/4" X 2-1/4" BOLT		01
36	0501010322	FLAT WASHER		01
37	0581012533	CARDAN LOWER PROTECTION COVER		01
38	0521067552	CARDAN TOP PROTECTION COVER		01
39	0581012546	LUBRICATION AXIS TRANSMISSION		01
40	0581011779	FIXER BODE CAP		02
41	0503034247	ADHESIVE LABEL POINT LUBRICATION		01
42	0503010256	3/8" X 3/4" BOLT		04
43	0503010025	3/8" SPRING WASHER		08
44	0503010237	3/8" X 1" BOLT		04
45	0501010984	FLAT WASHER 10,50 X 27 X 3,00 ZN		06
46	0501045426	DRIVE SHAFT	11	01
47	0501045888	DRIVE SHAFT	12	01
48	0521060008	PROTECTION COVER		01
49	0581013608	COMPLEMENT COVER PROTECTION		01
50	0503010026	3/8" NUT		02
51	0503011333	COVER FIXER		02
52	0503010131	3/16" X 1-1/2" COTTERPIN		02
53	0511065813	DRAWBAR		01
54	0503013404	3/4" UNC X 1.3/4" BOLT		08
55	1902040922	ROTARY COTTERS HEAD SUPPLEMENT		02
56	0503011198	C3/4" X 6" SCREW		02
57	0521810578	COUPLING SHAFT		01
58	0503031035	HITCH PIN CLIP		01
59	0503011981	17.7" CHAIN WITH HOOK/LINK		01
60	0521010629	1.1" X 5.1" COUPLING SHAFT		02
61	0503030430	7/16 X 2" PIN LOCK		02
62	0501010065	1" SPRING WASHER		02
63	0521011670	AXLE WITH PROTECTION		01
64	0503010274	5/32" X 2" COTTERPIN		02
65	0503031127	ADHESIVE LABEL		02
66	0511017305	FLAT WASHER		08
67	3504151060	GARRISON COVER PROTETION		02
68	0503013219	RETAINING RING		16



Item	Code	Description	See page	QT
01	0503811328	BOLT		04
02	0503810014	3/4" NUT		16
03	0503034435	ADHESIVE LABEL		01
04	0503034333	ADHESIVE LABEL		01
05	0503034078	LIFTING POINTS DECAL		03
06	0503032949	ADHESIVE LABEL		01
07	0503032535	LABEL ADHESIVE CARDAN SIDE		01
08	0503032060	ADHESIVE LABEL		01
09	0503031932	ADHESIVE LABEL		01
10	0503031930	ADHESIVE LABEL		01
11	0503031929	ADHESIVE LABEL		01
12	0503031428	READ MANUAL DECAL		01
13	0503031427	ADHESIVE LABEL		01
14	0503011442	3/4" SPRING WASHER		12
15	0503010817	1.1/4" SELF LOCKING NUT		02
16	0503010001	3.2 X 5.5 RIVET		04
17	0501810500	BOLT		08
18	0501047684	DISTRIBUTOR MULTIPLIER	3	01
19	0501056332	SUPPORT 340 WITH ROCADOR	4	02
20	0511040882	SPEED TRANSMISSION	5	01
21	0503034003	SERIAL NUMBER TAG 61 X 118		01
22	0501817779	FLAT WASHER		02
23	0501810322	FLAT WASHER		08
24	0501010536	KEYWAY SQUARE		04
25	0502012453	SUPPORT FLANGE		02
26	0511065815	RC2E 2600 LSL FRAME		01

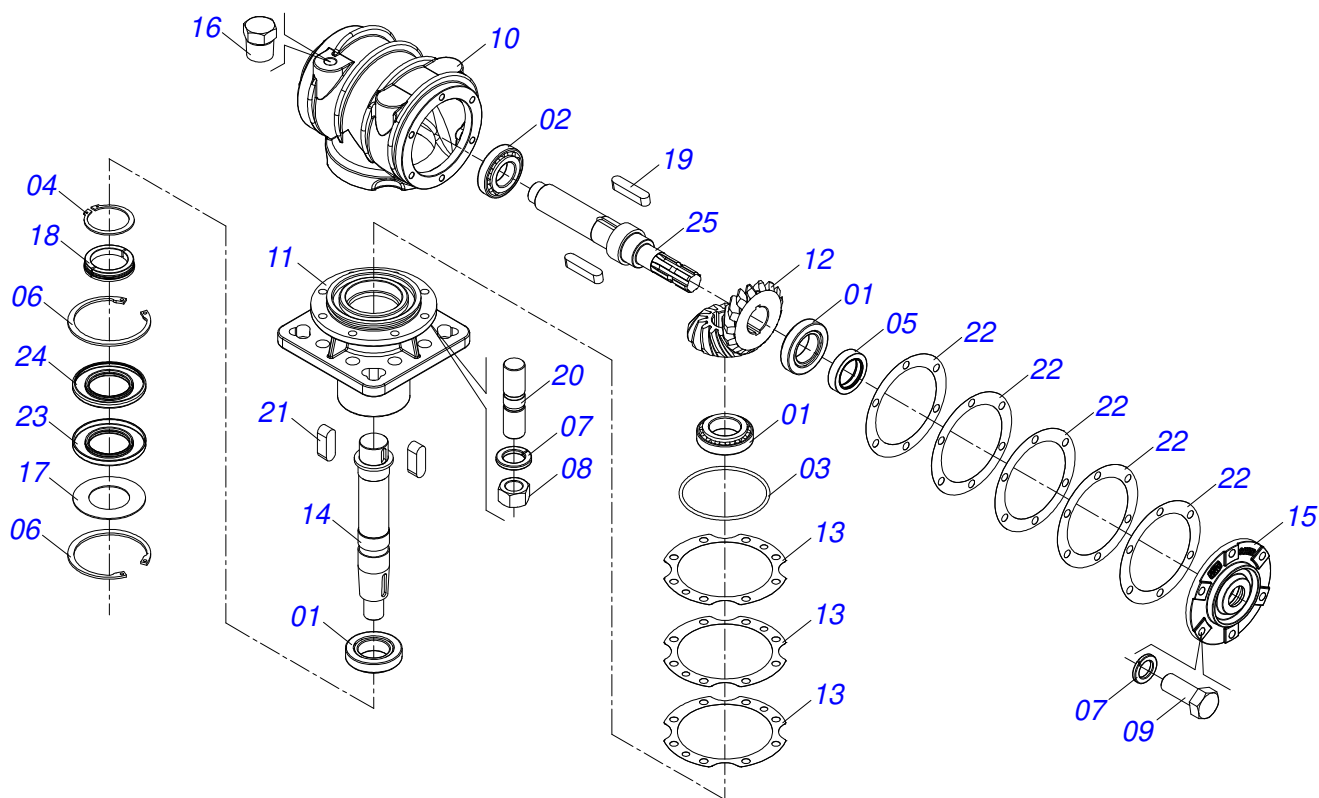


Item	Code	Description	See page	QT
01	0502011171	MULTIPLIER BOX	01	01
02	0503010395	1/2" X 1-1/4" BOLT	06	06
03	0503010028	1/2" NUT	16	16
04	0503011440	SPRING WASHER	22	22
05	0503011190	SEAL RING	02	02
06	0503011171	00912-BRG SEAL	01	01
07	0503010396	501060 CLAMPING RING (FOR AXLE)	02	02
08	0503010372	501050 CLAMPING RING (FOR AXLE)	01	01
09	0503010286	2-355 N 3006-9B O'RING	01	01
10	0503010037	30207 ROLLER BEARING	01	01
11	0503010006	32210 ROLLER BEARING	05	05
12	0503060216	CROWN PINION SET	01	01
13	0571013096	FLAT WASHER Ø63.45 X Ø72.85 X 10	01	01
14	0501010649	RATCHET CLICK	03	03
15	0503011201	5089 SEAL WITH HOLE	01	01
16	0503011047	5089 SEAL	02	02
17	0503030784	8.5" X 6.7" X 0.01" JOINT	03	03
18	0503030084	1/2" X 1/2" X 2.0" STUD	16	16
19	0503030051	0.2" X 1" X 0.1" COMPRESSION SPRING	06	06
20	0511010142	LOCK RING	02	02
21	0521018064	FLAT WASHER	01	01
22	0503031604	1/2" BSP PLUG	01	01
23	0503050051	UPPER AXLE	01	01
24	0503030785	7.9" X 5.9" X 0.008" JOINT	06	06
25	0502010981	LARGER COVER	01	01
26	0502011997	SIDE BOX	01	01
27	0502011392	HOUSING LOWER	01	01
28	3402301247	MINERAL OIL GREASE	04	04

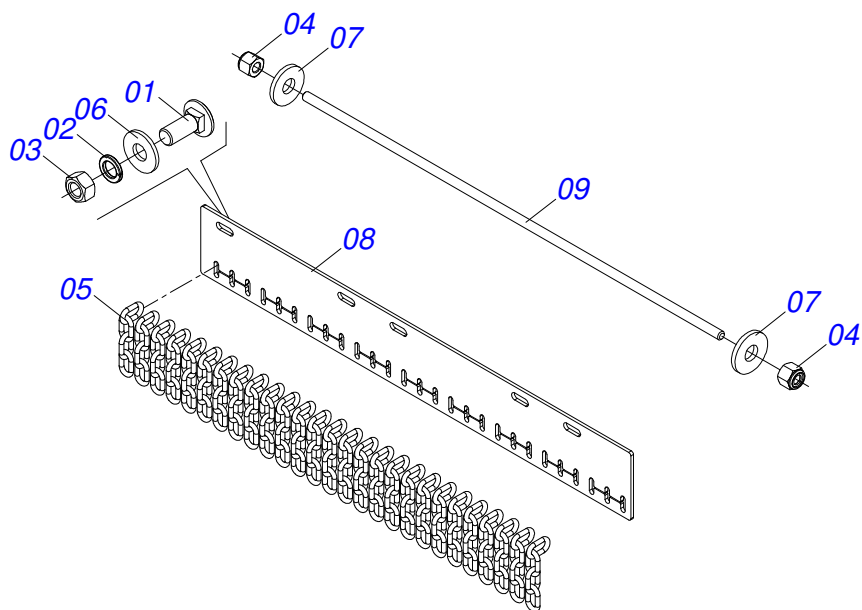


Item	Code	Description	See page	QT
01	0622400059	21.6" X 3.94" X 0.5" ROTARY CUTTER		02
02	0531014512	FASTERNER ROCADORES		02
03	0531015105	520 FOLLOWER		02
04	0561017308	SUPPORT UPPER BASE		01
05	0561017368	ROTARY LOWER SUPPORT		01
06	0561017309	ROTARY SUPPORT CHOCK		01
07	0503010812	7/8" UNF SELF LOCKING NUT		02
08	0503011447	SPRING WASHER		02

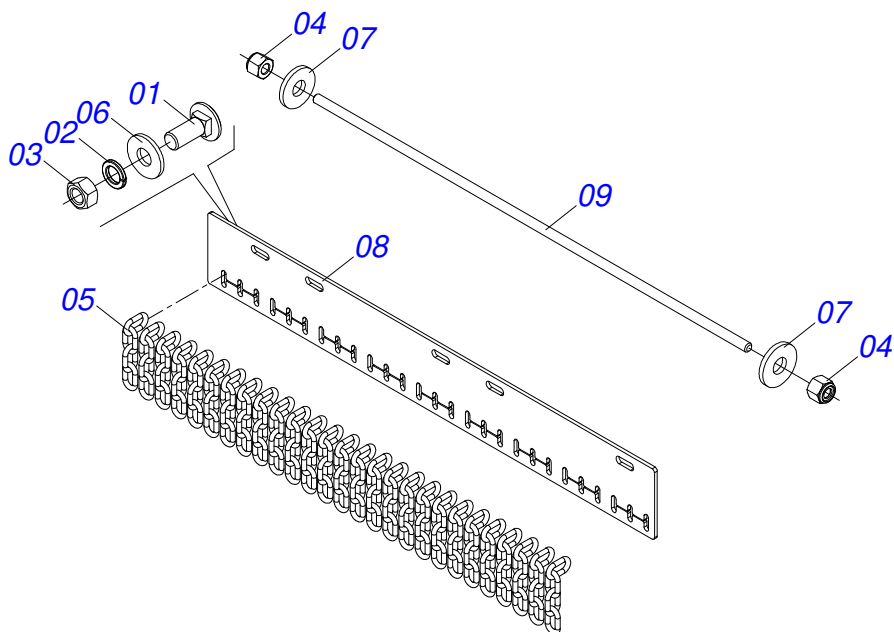




Item	Code	Description	See page	QT
01	0503010006	32210 ROLLER BEARING		03
02	0503010037	30207 ROLLER BEARING		01
03	0503010286	2-355 N 3006-9B O'RING		01
04	0503010396	501060 CLAMPING RING (FOR AXLE)		01
05	0503011171	00912-BRG SEAL		01
06	0503011190	SEAL RING		02
07	0503011440	SPRING WASHER		14
08	0503810028	NUT 1/2 NF SA		08
09	0503810395	SCREW 1/2 UNC X 1.1/4 CSRT G.5 SA		06
10	0502010984	LEFT MULTIPLIER BOX		01
11	0502011392	HOUSING LOWER		01
12	0503060249	CONICAL GEAR SET FOR DOUBLE DISTRIBUTOR		01
13	0503030785	7.9" X 5.9" X 0.008" JOINT		03
14	0503050048	AXLE LOWER		01
15	0502011152	SMALLER COVER		01
16	0503031604	1/2" BSP PLUG		01
17	0521818064	FLAT WASHER		01
18	0511010142	LOCK RING		01
19	0501010536	KEYWAY SQUARE		02
20	0503830084	PRISONER 1/2 UNC X 1/2 UNF X 50 SA		08
21	0501012993	0.4" X 1.1"KEYWAY SQUARE		02
22	0503030783	7.1" X 5.3" X 0.008" JOINT		05
23	0503011047	5089 SEAL		01
24	0503011201	5089 SEAL WITH HOLE		01
25	0503050067	UPPER AXLE		01
26	3402301247	MINERAL OIL GREASE		3,4Lts

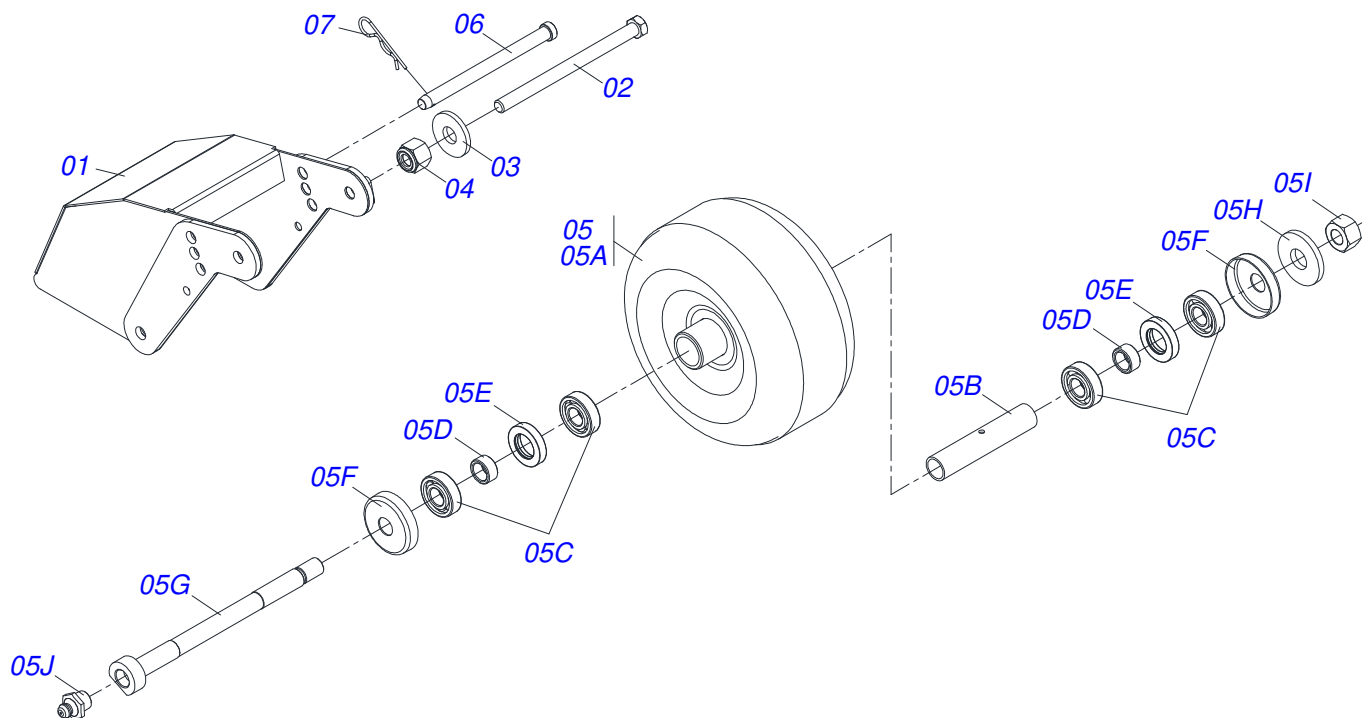


Item	Code	Description	See page	QT
01	0501011600	1/2" X 1-1/4" BOLT		05
02	0503010019	1/2" SPRING WASHER		05
03	0503012682	1/2" BSW NUT		05
04	0503013759	NUT		02
05	0511011774	8,00 CHAIN 4 LINK		27
06	0511017302	FLAT WASHER		05
07	0501010984	FLAT WASHER 10,50 X 27 X 3,00 ZN		02
08	0581012531	BODY CURRENT PROTECTION		01
09	0581012532	CHAIN PROTECTION BAR		01

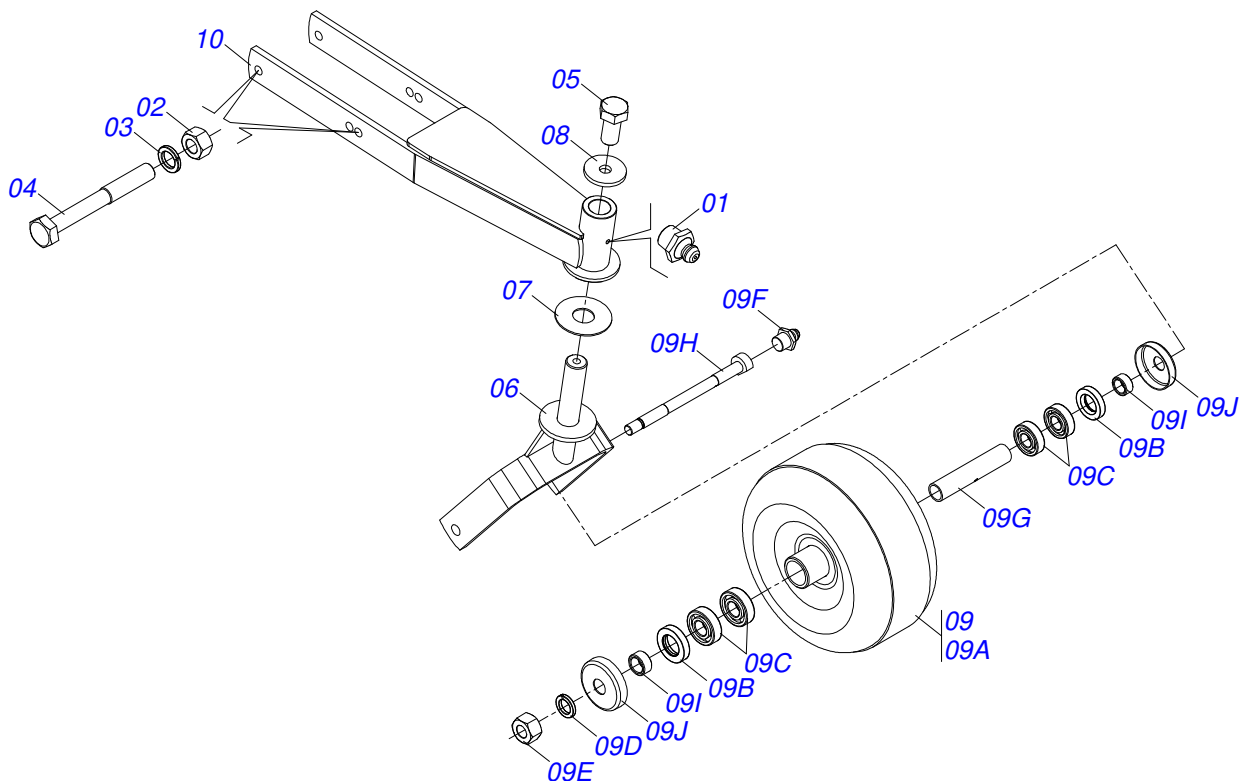


Item	Code	Description	See page	QT
01	0501011600	1/2" X 1-1/4" BOLT		05
02	0503010019	1/2" SPRING WASHER		05
03	0503012682	1/2" BSW NUT		05
04	0503013759	NUT		02
05	0511011774	8,00 CHAIN 4 LINK		27
06	0511017302	FLAT WASHER		05
07	0501010984	FLAT WASHER 10,50 X 27 X 3,00 ZN		02
08	0581012531	BODY CURRENT PROTECTION		01
09	0581012532	CHAIN PROTECTION BAR		01

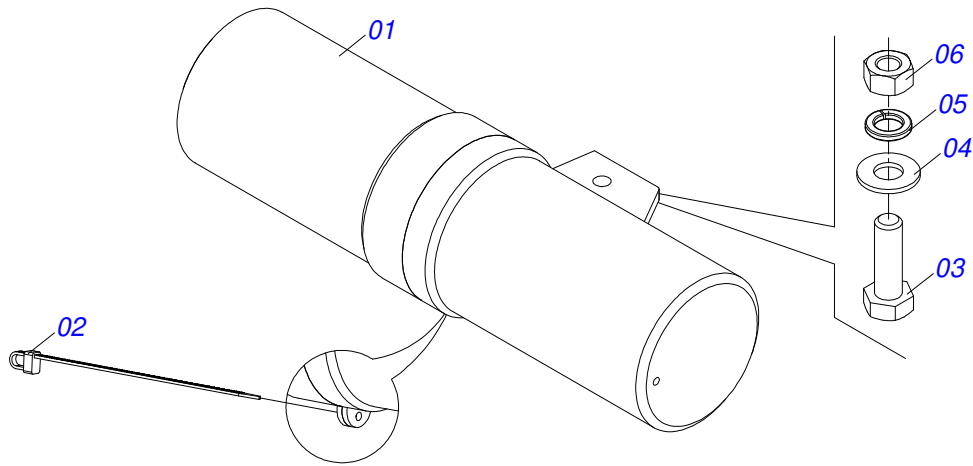
FRONT WHEEL RIGHT WITH ASSY PROTECTION



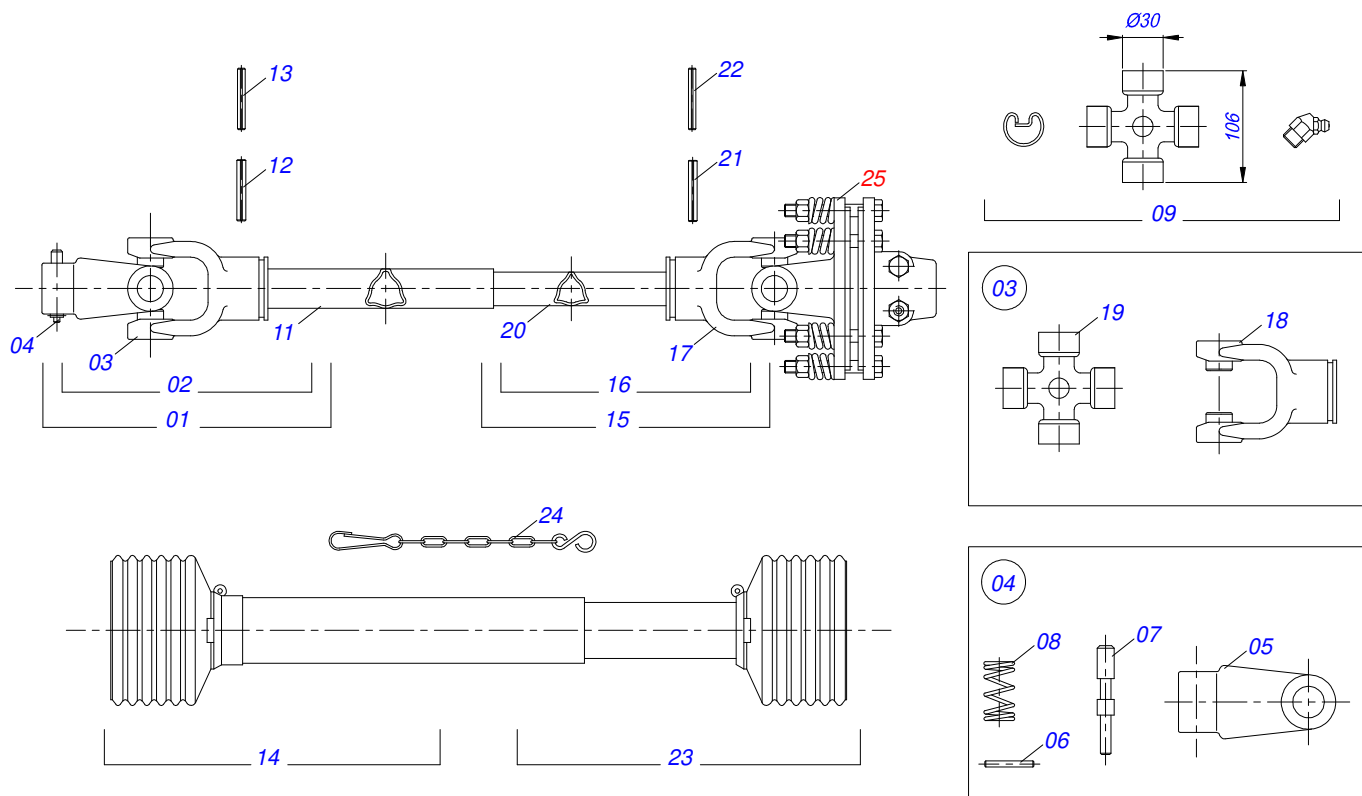
Item	Code	Description	See page	QT
01	0521061648	COVER FRONT WHEEL SUPPORT		01
02	0503012951	3/4" X 10-1/2" BOLT		01
03	0501010941	FLAT WASHER		01
04	0503011075	3/4" UNC NUT		01
05	0501053885	ARM REAR WHELL		01
05A	0511063509	14" X 8" WHELL		01
05B	0531014502	0.9" X 1.1" X 6.3" SLEEVE		01
05C	0503010269	6204 BALL BEARING		04
05D	0521010487	SPACER WASHER		02
05E	0503010268	00262-B SEAL		02
05F	0511014254	DUST CLOAK		02
05G	0551011854	REAR CARRYING WHEELS AXLE		01
05H	0501010941	FLAT WASHER		01
05I	0503011075	3/4" UNC NUT		01
05J	0503010002	1800 GREASE FITTING		01
06	0541018559	REAR WHELL CONTROL AXLE		01
07	0503030012	HITCH PIN CLIP		01
08	1882970002	GREASE SOAP		01Kg



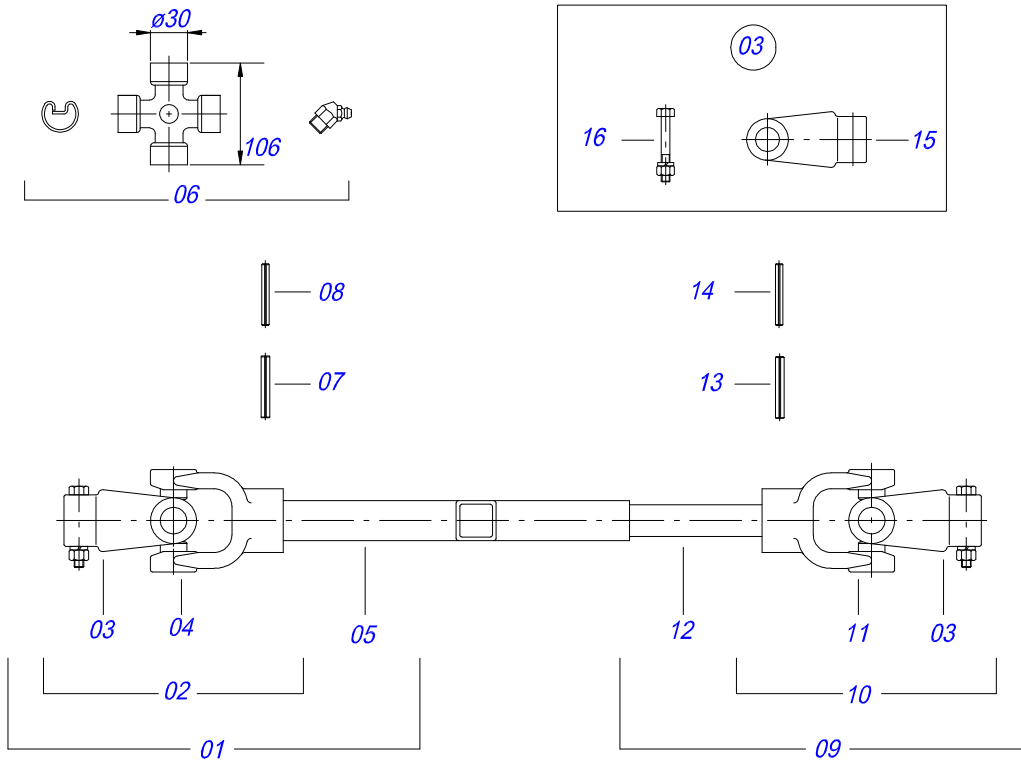
Item	Code	Description	See page	QT
01	0503010002	1800 GREASE FITTING	01	01
02	0503010013	5/8" NUT	02	02
03	0503010027	5/8" SPRING WASHER	02	02
04	0503010795	5/8" X 7" BOLT	02	02
05	0503010962	5/8" X 1-1/4" BOLT	01	01
06	0511065664	WHEELS FORK	01	01
07	0511013239	FLAT WASHER	01	01
08	0511010721	FLAT WASHER	01	01
09	0501053885	ARM REAR WHELL	01	01
09A	0511063509	14" X 8" WHELL	01	01
09B	0503010268	00262-B SEAL	02	02
09C	0503010269	6204 BALL BEARING	04	04
09D	0503011442	3/4" SPRING WASHER	01	01
09E	0503010014	3/4" NUT	01	01
09F	0503010002	1800 GREASE FITTING	01	01
09G	0531014502	0.9" X 1.1" X 6.3" SLEEVE	01	01
09H	0551011854	REAR CARRYING WHEELS AXLE	01	01
09I	0521010487	SPACER WASHER	02	02
09J	0511014254	DUST CLOAK	02	02
10	0521065281	WHEEL SUPPORT	01	01
11	1882970002	GREASE SOAP	02	02



Item	Code	Description	See page	QT
01	0503060100	OPERATOR'S MANUAL STORAGE TUBE		01
02	0503010267	NYLON CLAMP		01
03	0503010363	5/16" X 1" BOLT		01
04	0501010694	FLAT WASHER		01
05	0503010179	LOCK WASHER		01
06	0503010337	5/16" NUT		01
07	0501035833	INSTRUCTION MANUAL BAG		01



Item	Code	Description	See page	QT
01	0501052529	UNIVERSAL JOINT WITH SLEEVE/PROT		01
02	0501052523	UNIVERSAL JOINT WITH SLEEVE		01
03	0501052524	UNIVERSAL JOINT		01
04	0501050334	1-60 TERMINAL WITH QUICK HITCH		01
05	0502010568	1-60 STRIATED 1.3/8" TERMINAL		01
06	0503010838	0.1" X 0.8" SPRING PIN		02
07	0503037375	PIN QUICK COUPLING		02
08	0503030518	0.5"X1.0"X 0.1" COMPRESSION SPRING		02
09	0503010837	CARDAN CROSSPIECE		01
10	0503012608	T2-60/CI51 TERMINAL		01
11	0503012609	2.1" X 2.0" X 35" TRIAN FEMALE TUB		01
12	0503010843	0.4" X 3.3" SPRING PIN		01
13	0503011878	0.2" X 3.3" SPRING PIN		01
14	0503012075	PROTECTION FOR UNIV JOINT AND SLEEV		01
15	0501052554	UNIVERSAL JOINT WITH SHAFT/PROT		01
16	0501052553	UNIVERSAL JOINT WITH CROSS/SHAFT		01
17	0501052520	UNIVERSAL JOINT WITH CROSSPIECE		01
18	0503012600	T3-60/CI52 TERMINAL		01
19	0503010837	CARDAN CROSSPIECE		01
20	0503012610	1.8" X 1.7" X 35" TRIAN MALE TUB		01
21	0503011069	0.4" X 2.8" SPRING PIN		01
22	0503011805	0.2" X 2.8" SPRING PIN		01
23	0503012076	PROTECTION FOR UNIV JOINT AND AXLE		01
24	0503012023	CHAIN FOR PROTECTION		02
25	0501049150	90 KGM FRICTION		01



Item	Code	Description	See page	QT
01	0501050873	UNIVERSAL JOINT WITH SLEEVE		01
02	0501050390	UNIVERSAL JOINT		01
03	0501052516	T6-60 TERMINAL WITH SCREW		02
04	0502010570	2-60 TERMINAL W/ SH 1.8"/1.8"		01
05	0511017082	12" X 1.5" SQUARE SLEEVE		01
06	0503010837	CARDAN CROSSPIECE		02
07	0503010843	0.4" X 3.3" SPRING PIN		01
08	0503011878	0.2" X 3.3" SPRING PIN		01
09	0501050874	UNIVERSAL JOINT WITH SHAFT		01
10	0501050388	UNIVERSAL JOINT		01
11	0502010571	3-60 TERMINAL W/ SH 1.43"/1.43"		01
12	0511017083	1.4" X 12" SQUARE SHAFT		01
13	0503011069	0.4" X 2.8" SPRING PIN		01
14	0503011805	0.2" X 2.8" SPRING PIN		01
15	0502010830	6-60 STRIATED 1.3/8" TERMINAL		01
16	0501047759	1/2" X 3-1/2" BOLT ASSY		02







**MARCHESAN**

**Technical Publications | Elaboration and Revision**

ALESSANDRA PATRICIA KAWAHARA CARRILI

[www.marchesan.com.br](http://www.marchesan.com.br)

