

ROTARY CUTTERS

RC2 4500

Code: 0501092578

Series: S-0516

Revision: 00

Date Revision: MARÇO/2023

PARTS CATALOGUE



MARCHESAN



PRODUCTS

Code	Description
0104070034C	RC2 4500 C/PROT CORR EXP S-0516
0104070036C	RC2 4500 C/PROT CORR ESPECIAL EXP S-0516
0104070036	RC2 4500 C/PROT CORR ESPECIAL S-0516
0104070034	RC2 4500 C/PROT CORR S-0516

ATTENTION: IMPORTANT

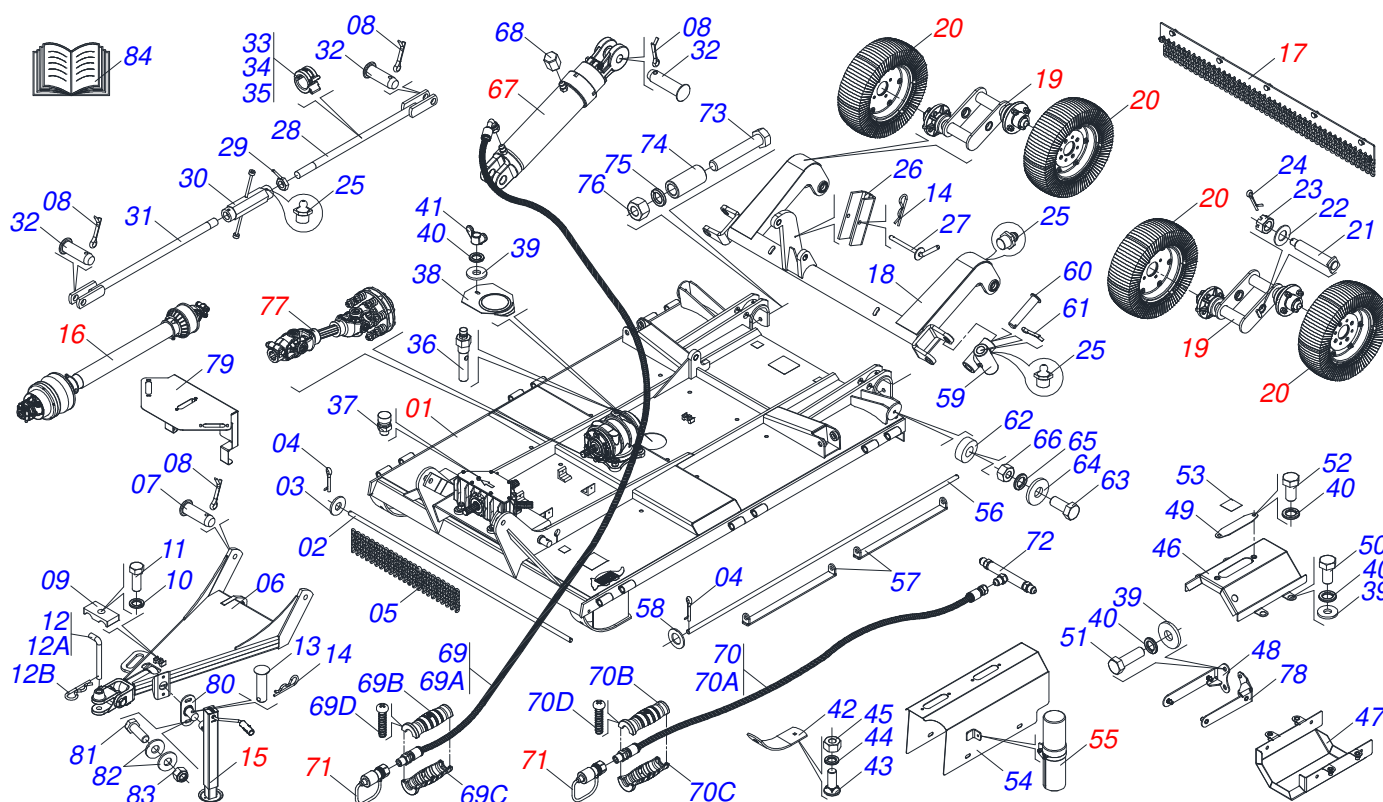
Marchesan S.A. reserves the right to improve and/or modify the technical features of its products, without obligation to do the same with those products already sold and without prior knowledge of the dealer or the customer. The photos are only illustrative.



MARCHESAN

INDEX

0909095416	ASSY CENTRAL FRAME	1
0521056139	CENTRAL FRAME	2
0501056329	SUPPORT ROTARY CUTTER BLADES	3
0501044074	TRIPLE DISTRIBUTOR	4
0501046948	MULTIPLIER	5
0501053006	HEAD WITH TRACTOR HITCH	6
0503062157	DRAWBAR JACK	7
0501049129	DRIVE SHAFT	8
0521050714	CENTRAL REAR CURRENT PROTECTION 1525	9
0511048941	ARM ASSY	10
0501043559	SEGMENTED WHEEL 525	11
0521051354	MANUAL CANISTER ASSY	12
0511058441	HYDRAULIC CYLINDER 44,45 X 85,70 X 540 X 179	13
0501053834	MALE QUICK COUPLER	14
0501049130	DRIVE SHAFT	15
0501047953	90 KGM FRICTION	16
0909095406	ASSY RIGHT SIDE FRAME	17
0521051854	FRAME SEMI MOUNTED RIGHT SIDE	18
0501056330	CUTTER BLADES ROTARY SUPPORT	19
0501046978	SPEED MULTIPLIER	20
0501049131	DRIVE SHAFT	21
0521050732	RIGHT SIDE CURRENT PROTECTION SMALLER	22
0521050733	LARGER RIGHT SIDE CURRENT PROTECTION BACK	23
0501054971	SIDE WHEEL WITHOUT TIRE	24
0511058442	HYDRAULIC CYLINDER	25
0909095407	ASSY LEFT SIDE FRAME	26
0521051855	FRAME SEMI MOUNTED SIDE LEFT	27
0521050726	CURRENT PROTECTION SIDE LEFT HIGHER	28
0521050725	PROTECTION CURRENT SIDE LEFT LOWER	29



Item	Code	Description	See page	QT
01	0521056139	CENTRAL FRAME	2	01
02	0511012252	63" ROD OF THE CHAIN		01
03	0511017302	FLAT WASHER 13,50 X 32,50 X 3,0 ZN		02
04	0503010300	5/32" X 1" COTTERPIN		06
05	0511011774	8,00 CHAIN 4 LINK		39
06	0501053006	HEAD WITH TRACTOR HITCH	6	01
07	0521010572	0.9" X 2.9" COUPLING SHAFT		02
08	0503010571	1/4" X 1.1/2 COTTERPIN		06
09	1902010477	UPPER CLAMP BODY		02
10	0503010180	7/16" SPRING WASHER		02
11	0503011102	BOLT 7/16 UNC X 1.1/4 C S G.5 ZN		02
12	0501040343	DRAWBOLT ASSY		01
12A	0521010453	AXI SHAFT		01
12B	0503031035	HITCH PIN CLIP		01
13	0521010549	COUPLING SHAFT		01
14	0503030168	HITCH PIN CLIP		02
15	0503062157	DRAWBAR JACK	7	01
16	0501049129	DRIVE SHAFT	8	01
17	0521050714	CENTRAL REAR CURRENT PROTECTION 1525	9	01
18	0521061862	CENTRAL CARRYING WHEELS		01
19	0511048941	ARM ASSY	10	02
20	0501043559	SEGMENTED WHEEL 525	11	04
21	0521061864	ROCKER ARM PIVOT SHAFT		02
22	0501010623	FLAT WASHER		02
23	0503030009	1" CASTLE NUT		02
24	0503010010	1/4" X 2.1/2" COTTERPIN		02
25	0503010003	1845 GREASE FITTING		09
26	0521014258	LOCK BOLT		01
27	0501068994	8,30 X 78 LOCK PIN		01
28	0521064851	ROD STABILIZER		01
29	0501064974	LOCKNUT WITH HANDLER		01



ASSY CENTRAL FRAME

0909095416

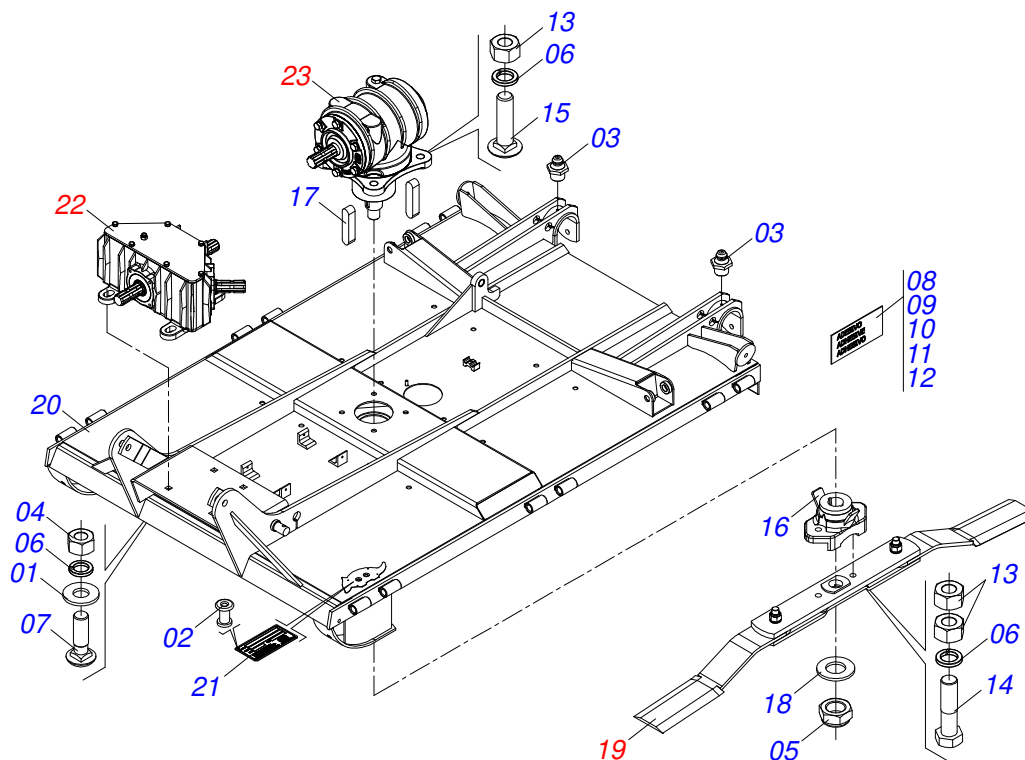
Item	Code	Description	See page	QT
30	0521064756	ADJUSTING NUT		01
31	0521064850	ROD STABILIZER		01
32	0521010575	C0.9" X 3.3" COUPLING SHAFT		04
33	0501047888	45 ROD STOP		01
34	0501047885	30 ROD STOP		01
35	0501047895	25 ROD STOP		03
36	0501110186	OIL SMALLER LEVEL INDICATOR		01
37	0503010325	VCA-118 VALVE		01
38	0591012025	ACCESS COVER		01
39	0501010984	10,50 X 27 X 3,00 FLAT WASHER		25
40	0503010025	3/8 SPRING WASHER		35
41	0503010209	3/8" UNC BUTTERFLY NUT		01
42	0521018988	SKID MIDDLE GUIDE		02
43	0503012956	1/2" X 1-1/2" BOLT		04
44	0503010019	1/2" SPRING WASHER		04
45	0503012682	1/2" BSW NUT		04
46	0501110998	CARDAN TOP PROTECTION COVER		03
47	0501111144	BOTTOM PROTECTION COVER COUPLING WITH RIVET		03
48	0501110997	LARGER SUPPORT COVER PROTECTION		06
49	0581012546	LUBRICATION AXIS TRANSMISSION		05
50	0503010237	3/8" X 1" BOLT		12
51	0503010751	C3/8" X 1.1/4" HEX BOLT G.5		12
52	0503010256	3/8" X 3/4" BOLT		10
53	0503034247	ADHESIVE LABEL POINT LUBRICATION		05
54	0501111170	CENTRAL GARDEN PROTECTION COVER		01
55	0521051354	MANUAL CANISTER ASSY	12	01
56	0511017535	ROD		02
57	0521067682	CHASSI PROTECTOR		04
58	0501011445	FLAT WASHER		04
59	0502012885	CROSS HEAD		02
60	0521018993	CROSSPIECE COUPLING SHAFT		04
61	0503010523	1/4" X 2" COTTERPIN		04
62	0521011481	FRAME BATTERY		02
63	0501010100	SCREW 5/8 UNC X 2 CS G.5 ZN		02
64	0571010265	16.5 X 40 X 3 FLAT WASHER		02
65	0503010027	5/8 SPRING WASHER		02
66	0503010013	5/8 NUT		02
67	0511058441	HYDRAULIC CYLINDER 44,45 X 85,70 X 540 X 179	13	01
68	0511017628	BREATHING HOLE OF THE CYLINDER HIDR		01
69	0521057165	HOSE 3/8 X 4500 TC-TM BLACK/RED		01
69A	0501080362	3/8" X 177" TC-TM HOSE		01
69B	0503034492	HYDRAULIC HOSE GRIP (BLACK)		01
69C	0503034495	HYDRAULIC HOSE GRIP (RED)		01
69D	0503018952	PLASTIC BOLT		06
70	0521055988	3/8" X 169" TR-TM BLACK/RED HOSE		01
70A	0501080405	3/8" X 169" TR-TM HOSE		01
70B	0503034492	HYDRAULIC HOSE GRIP (BLACK)		01
70C	0503034495	HYDRAULIC HOSE GRIP (RED)		01
70D	0503018952	PLASTIC BOLT		06
71	0501053834	MALE QUICK COUPLER	14	02
72	0501072676	OIL DISTRIBUTOR BODY		01
73	0503011198	C3/4" X 6" SCREW		02
74	0511017147	0.8" X 1.2" X 4.1" BUSHING		02
75	0503010023	3/4" SPRING WASHER		02
76	0503010014	3/4" HEX NUT		02
77	0501049130	DRIVE SHAFT	15	01
78	0501110996	LOWER SUPPORT COVER PROTECTION WITH RIVET		04



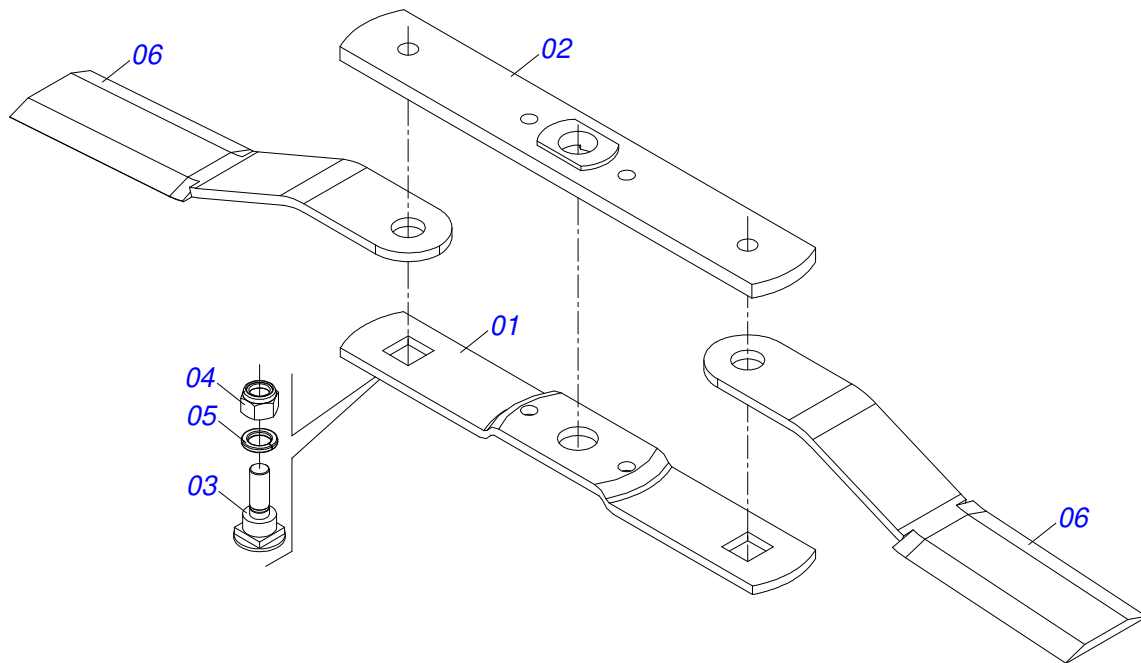
RC2 4500
ASSY CENTRAL FRAME

Page 1
0909095416

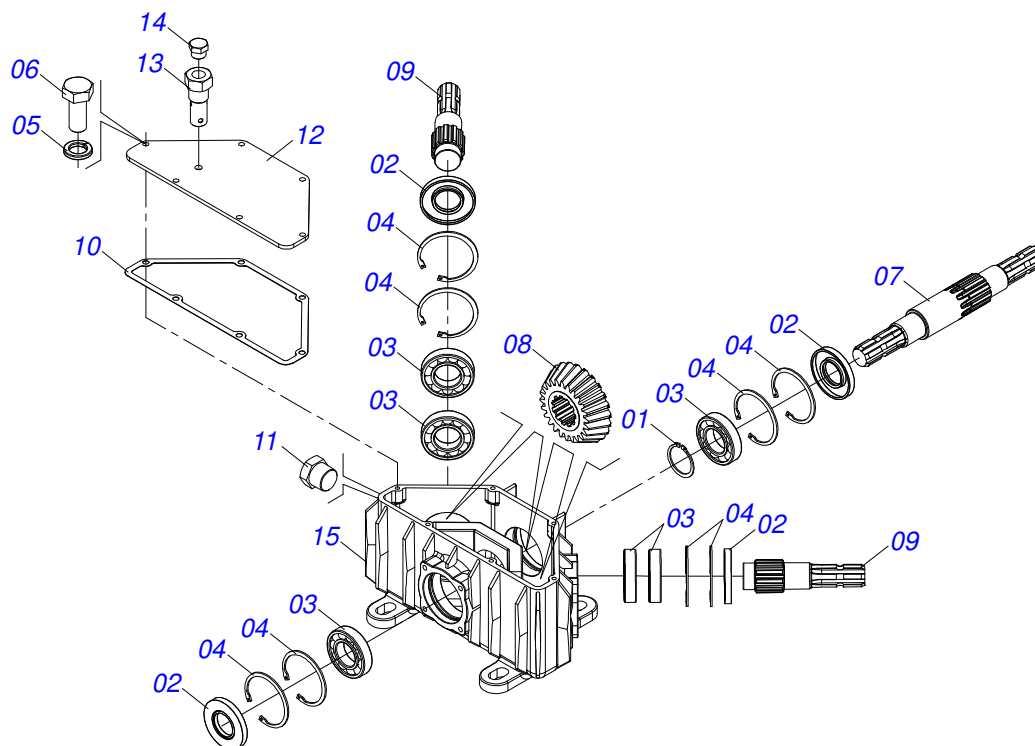
Item	Code	Description	See page	QT
79	0501111171	TRIPLE DISTRIBUTOR PROTECTION		01
80	0531060493	MOBILE FIXING FLANGE MONO		01
81	0503010920	1/2 UNC X 1.1/2 C S G.5 ZN BOLT		01
82	0511017302	FLAT WASHER 13,50 X 32,50 X 3,0 ZN		02
83	0503010589	1/2" UNC SELF ADJUSTING NUT		01
84	0521057248	INSTRUCTION MANUAL DOOR SET		01



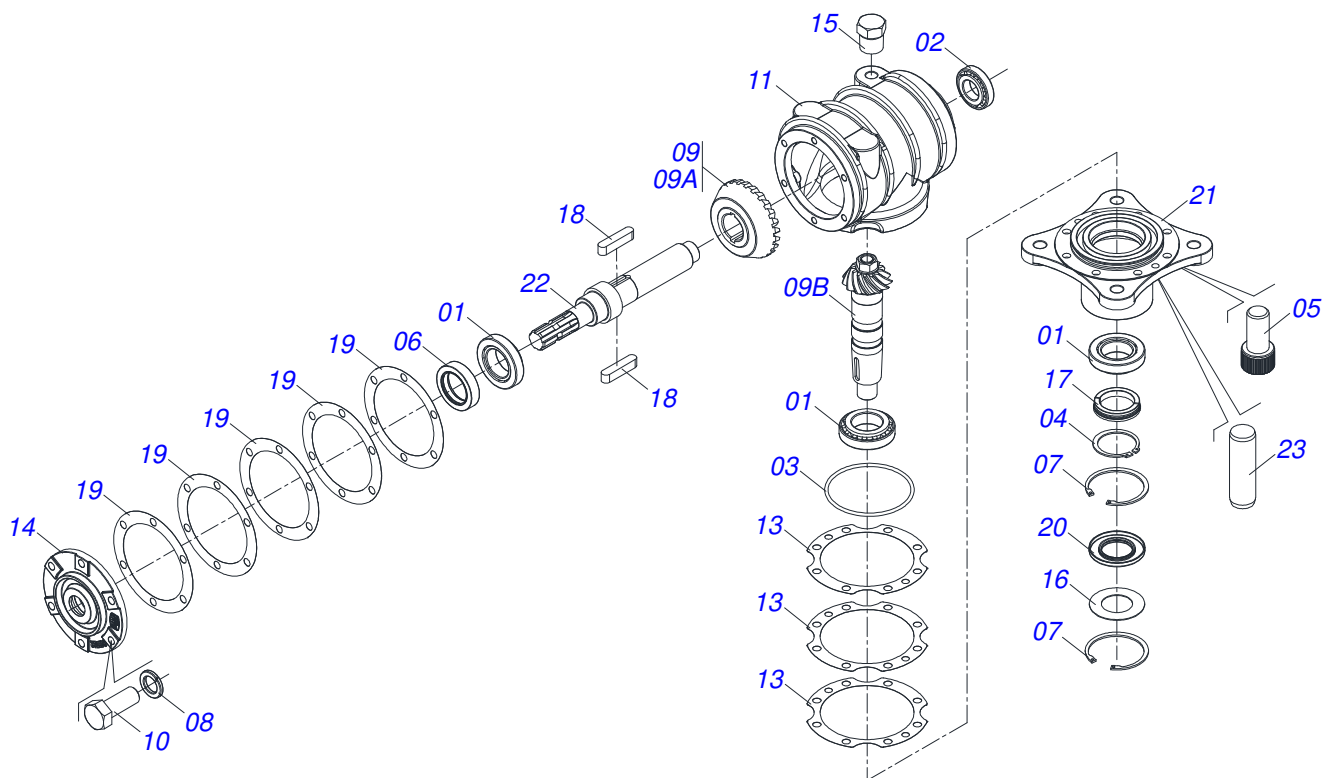
Item	Code	Description	See page	QT
01	0501010322	FLAT WASHER		04
02	0503010001	3.2 X 5.5 RIVET		04
03	0503010002	1800 GREASE FITTING		02
04	0503010014	3/4" HEX NUT		04
05	0503010044	1-1/4" SELF LOCKING NUT		01
06	0503011442	3/4" SPRING WASHER		10
07	0503014249	3/4" X 2-1/2" BOLT		04
08	0503031127	ADHESIVE LABEL		02
09	0503031428	READ MANUAL DECAL		01
10	0503032060	ADHESIVE LABEL		01
11	0503032949	ADHESIVE LABEL		01
12	0503034078	LIFTING POINTS DECAL		04
13	0503810014	3/4" NUT		08
14	0503810901	SCREW 3/4 UNC X 3.1/2 C S G.5		02
15	0503813122	SCREW 3/4 UNC X 4.1/4 CAPQ G.5 SA		04
16	0502012453	SUPPORT FLANGE		01
17	0501010536	KEYWAY SQUARE		02
18	0501817779	FLAT WASHER		01
19	0501056329	SUPPORT ROTARY CUTTER BLADES	3	01
20	0521064817	CENTRAL REINFORCING PLATE FRAME		01
21	0503034003	SERIAL NUMBER TAG 61 X 118		01
22	0501044074	TRIPLE DISTRIBUTOR	4	01
23	0501046948	MULTIPLIER	5	01



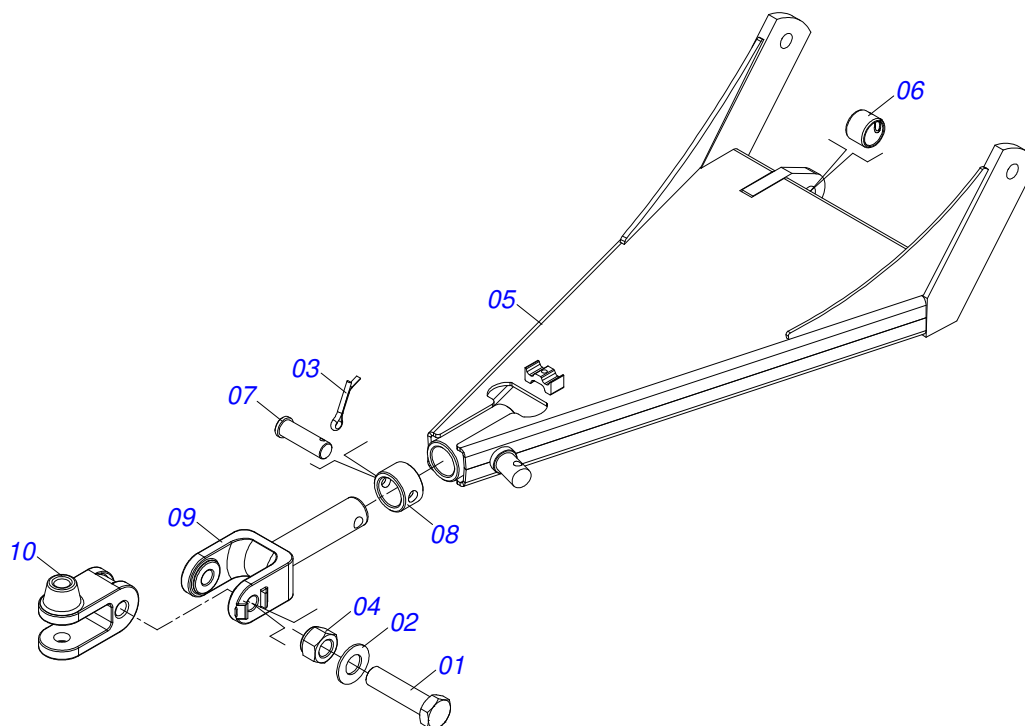
Item	Code	Description	See page	QT
01	0561017369	ROTARY LOWER SUPPORT LOWER		01
02	0561017307	SUPPORT UPPER BASE		01
03	0511019000	BOLT		02
04	0503010812	7/8" UNF SELF LOCKING NUT		02
05	0503011447	SPRING WASHER		02
06	0622400051	24.5" X 3.94" X 0.5" ROTARY CUTTER		02



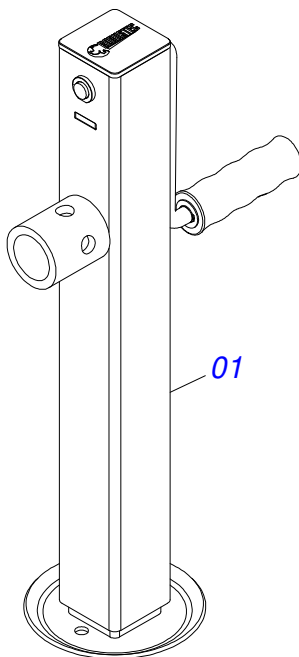
Item	Code	Description	See page	QT
01	0503010372	501050 CLAMPING RING (FOR AXLE)		01
02	0503010818	02675-BRG SEAL		04
03	0503011095	6208 BALL BEARING		06
04	0503011100	502080 CLAMPING RING (FOR AXLE)		08
05	0503011444	SPRING WASHER		06
06	0503010240	BOLT		06
07	0503030631	CENTRAL AXLE		01
08	0503030632	24Z CONICAL GEAR		03
09	0503030633	SIDE AXLE		02
10	0503030656	13.9" X 6.1" X 0.03" JOINT		01
11	0503010856	OIL PLUG		01
12	0511011206	BOX COVER		01
13	0511013020	1.49" BREATHING HOLE		01
14	0511017907	1/8" BSPT X 6 PLUG		01
15	0502010861	DISTRIBUTOR BOX		01
16	3402301247	MINERAL OIL GREASE		02Lts



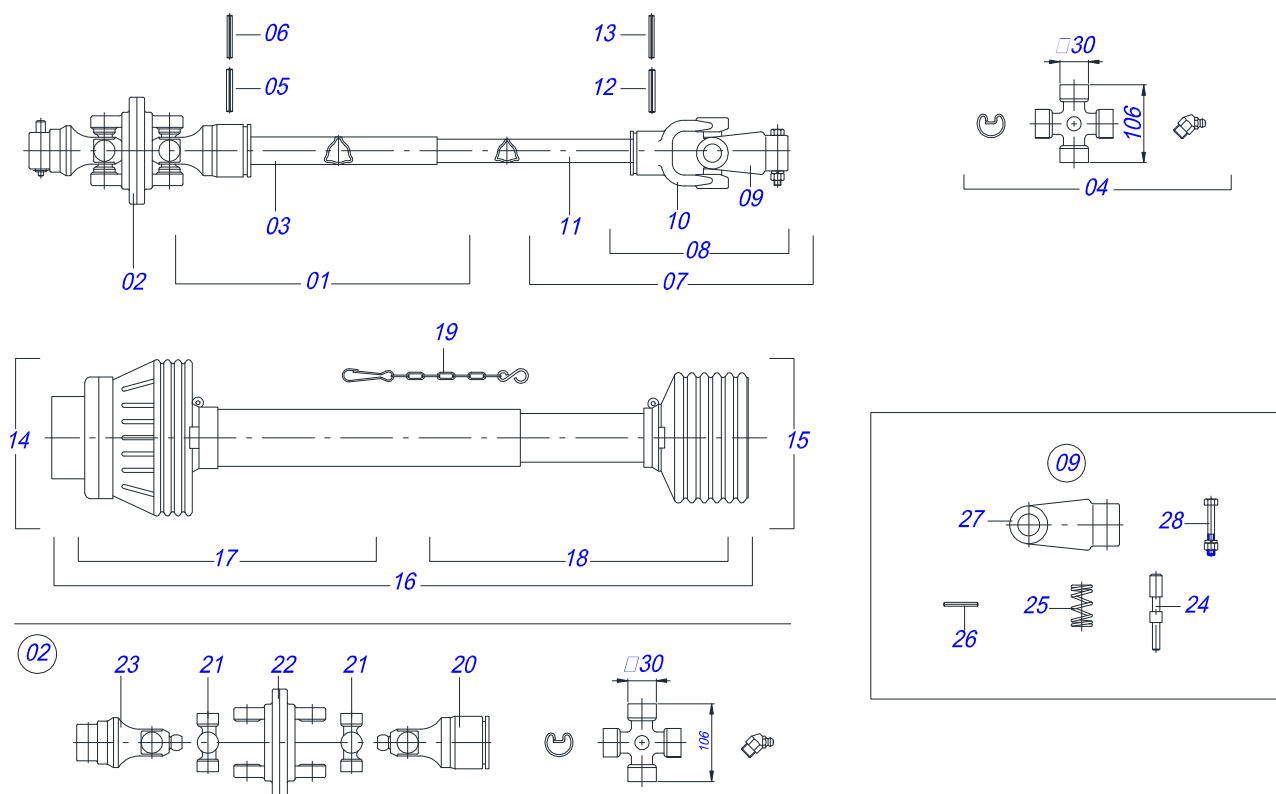
Item	Code	Description	See page	QT
01	0503010006	32210 ROLLER BEARING		03
02	0503010037	30207 ROLLER BEARING		01
03	0503010286	2-355 N 3006-9B O'RING		01
04	0503010396	501060 CLAMPING RING (FOR AXLE)		01
05	0503010562	1/2" X 1" BOLT		08
06	0503011171	00912-BRG SEAL		01
07	0503011190	SEAL RING		02
08	0503011440	SPRING WASHER		06
09	0503060211	CROWN PINION SET		01
09A	0503050069	25Z CONICAL GEAR		01
09B	0503061048	PINION		01
10	0503010395	1/2" X 1-1/4" BOLT		06
11	0502010984	LEFT MULTIPLIER BOX		01
12	3402301247	MINERAL OIL GREASE		2,5Lts
13	0503030785	7.9" X 5.9" X 0.008" JOINT		03
14	0502011152	SMALLER COVER		01
15	0503031604	1/2" BSP PLUG		01
16	0521018064	FLAT WASHER		01
17	0511010142	LOCK RING		01
18	0501010536	KEYWAY SQUARE		02
19	0503030783	7.1" X 5.3" X 0.008" JOINT		05
20	0503011047	5089 SEAL		01
21	0502011393	LOWER HUB		01
22	0503050067	UPPER AXLE		01
23	0503017877	PIN GUIDE		02



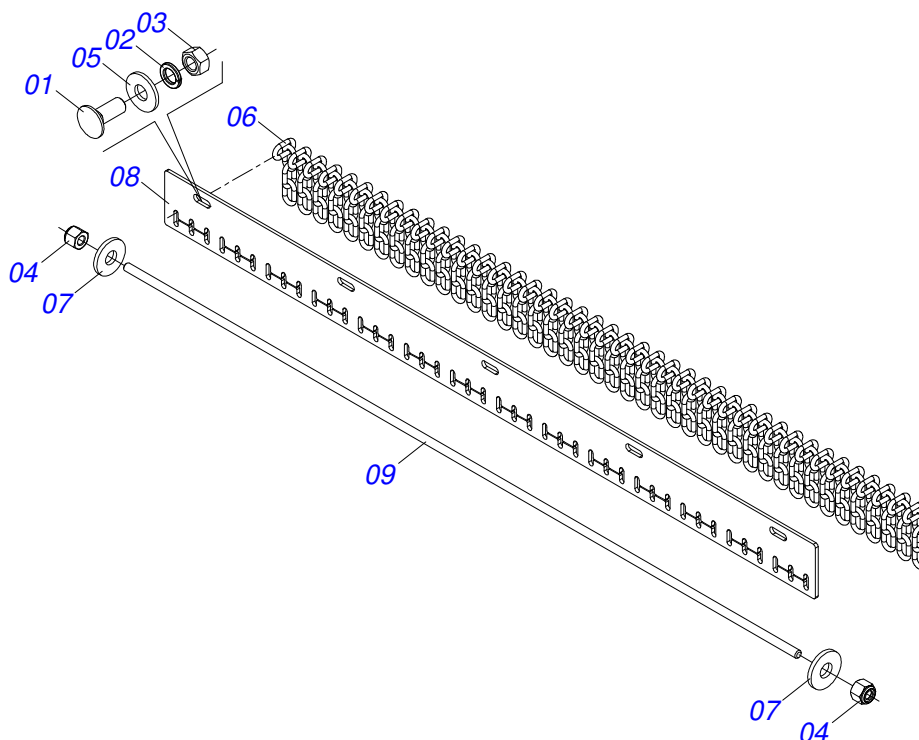
Item	Code	Description	See page	QT
01	0501010060	1" X 6-1/2" BOLT		01
02	0501810623	27 X 53 X 3.00 FLAT WASHER		01
03	0503010571	1/4" X 1.1/2 COTTERPIN		01
04	0503018754	1-8 UNC NUT		01
05	0511062049	DRAWBAR		01
06	0511019921	1.3" X 0.1" X 1" SLEEVE		01
07	0521010639	COUPLING SHAFT		01
08	0521010681	BUSHING COUPLING BODY		01
09	1902040923	ROTATING HITCH		01
10	1902040921	U HITCH TRACTOR		01



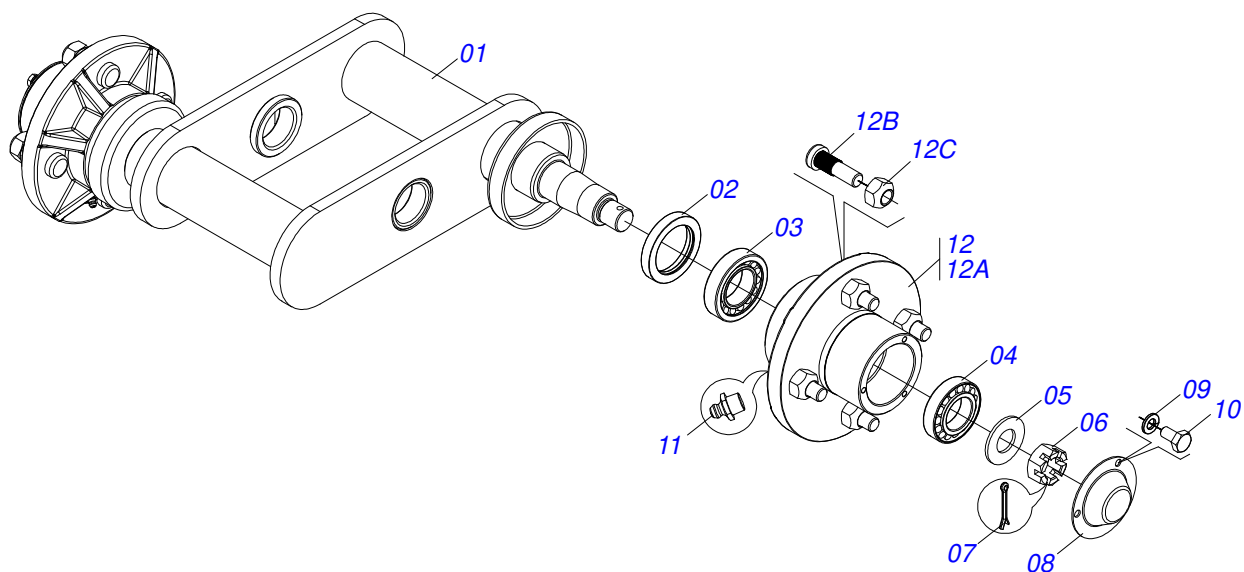
Item	Code	Description	See page	QT
01	0503062157	DRAWBAR JACK	7	01



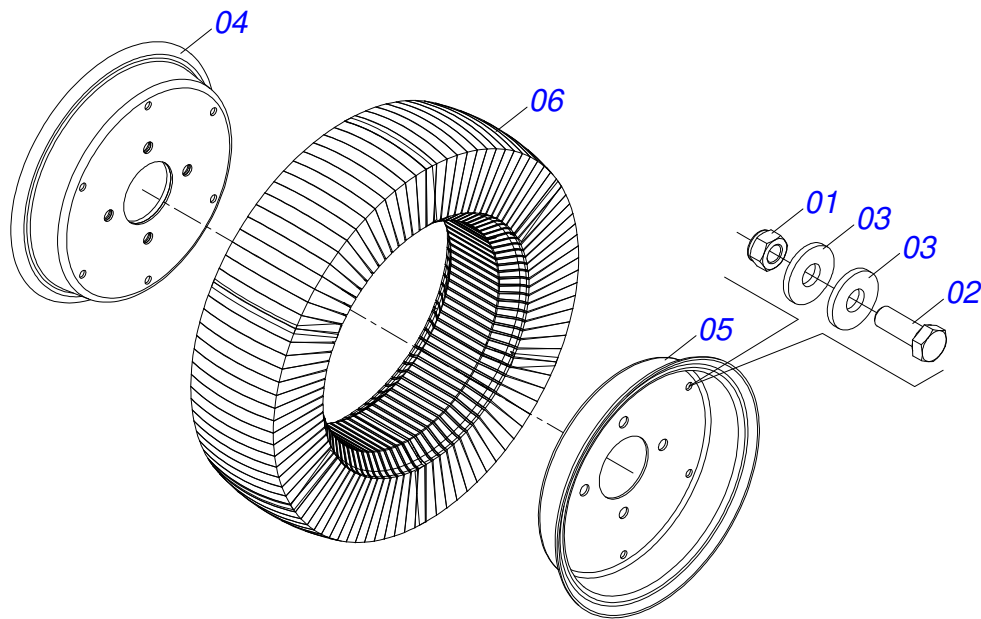
Item	Code	Description	See page	QT
01	0501052544	HOMO JOINT WITH FEMALE BUSHING		01
02	0501052518	HOMOCINETIC JOINT ASSY		01
03	0503012618	2.1" X 2.0" X 31" TRIAN FEMALE TUB		01
04	0503010837	CARDAN CROSSPIECE		01
05	0503010843	0.4" X 3.3" SPRING PIN		01
06	0503011878	0.2" X 3.3" SPRING PIN		01
07	0501052545	UNIVERSAL JOINT WITH CROSS/SHAFT		01
08	0501052546	UNIVERSAL JOINT		01
09	0501052516	T6-60 TERMINAL WITH SCREW		01
10	0503012600	T3-60/CI52 TERMINAL		01
11	0503012619	1.8" X 1.7" X 31" TRIAN MALE TUB		01
12	0503011069	0.4" X 2.8" SPRING PIN		01
13	0503011805	0.2" X 2.8" SPRING PIN		01
14	0501052548	HOMO JOINT WITH PROT FEMALE BUSHING		01
15	0501052549	UNIVERSAL JOINT WITH SHAFT/PROT		01
16	0503012620	PROTECTION ASSY		01
17	0503012621	PROTECTION FOR HOMO JOINT AND SLEEV		01
18	0503012076	PROTECTION FOR UNIV JOINT AND AXLE		01
19	0503012023	CHAIN FOR PROTECTION		01
20	0503012604	HOMO TERMINAL W/ FEMALE BUSHING		01
21	0503012605	CROSSPIECE		02
22	0503012606	CENTER BODY		01
23	0503012607	TRACTOR HOMOCINETIC TERMINAL		01
24	0503037375	PIN QUICK COUPLING		02
25	0503030518	0.5"X1.0"X 0.1" COMPRESSION SPRING		02
26	0503010838	0.1" X 0.8" SPRING PIN		02
27	0502010830	6-60 STRIATED 1.3/8" TERMINAL		01
28	0501047756	1/2" X 3" SET PARTS		02



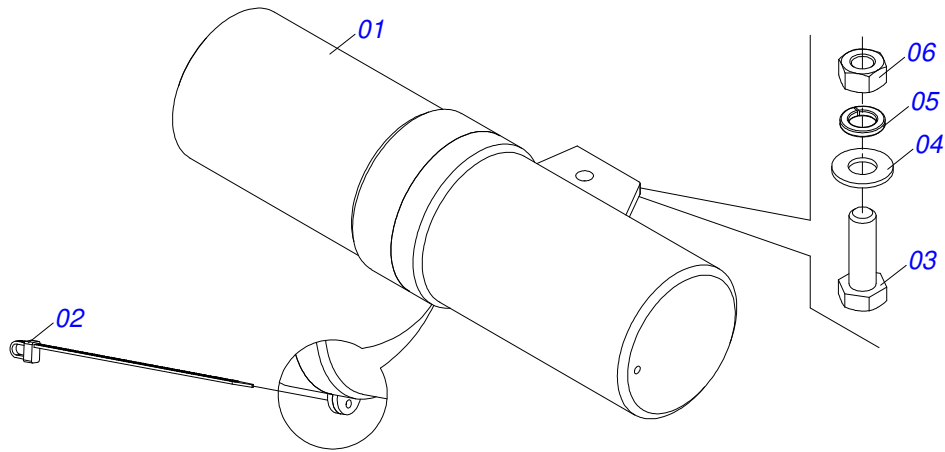
Item	Code	Description	See page	QT
01	0501011600	1/2" X 1-1/4" BOLT		05
02	0503010019	1/2" SPRING WASHER		05
03	0503012682	1/2" BSW NUT		05
04	0503013759	NUT		02
05	0511017302	FLAT WASHER 13,50 X 32,50 X 3,0 ZN		05
06	0511011774	8,00 CHAIN 4 LINK		42
07	0501010984	10,50 X 27 X 3,00 FLAT WASHER		02
08	0581014017	BODY REAR CHAIN PROTECTION CENTRAL 1525		01
09	0581014018	STICK CHAIN PROTECTION (1515)		01



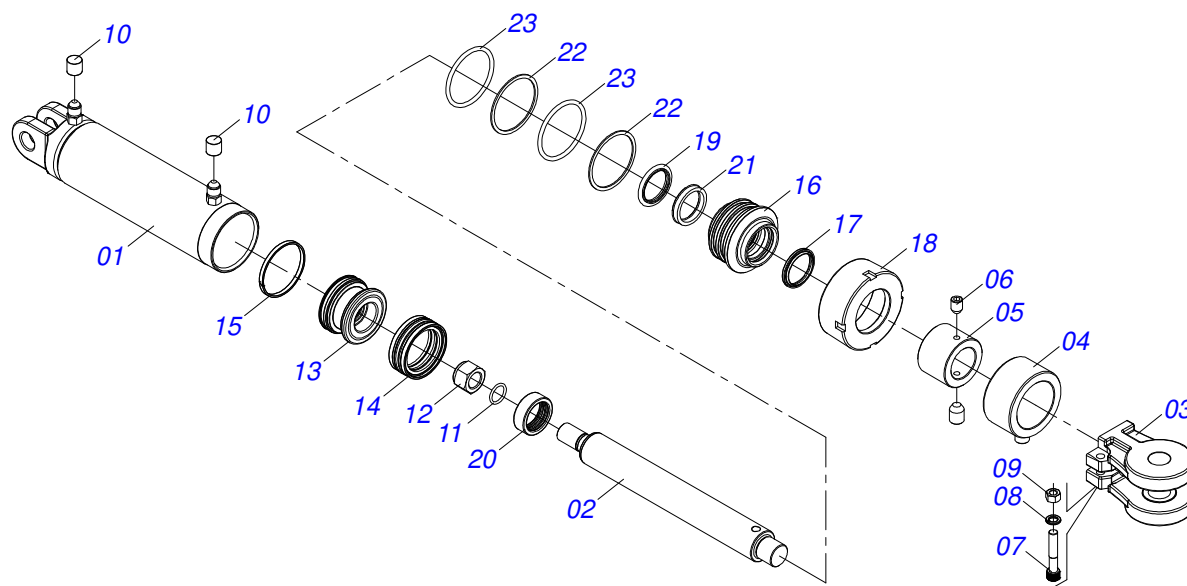
Item	Code	Description	See page
01	0521061863	REAR ROCKER ARM	01
02	0503010278	SEAL	02
03	0503010016	BEARING LM	02
04	0503010022	BEARING LM	02
05	0501010076	FLAT WASHER	02
06	0503030010	7/8" CASTLE NUT	02
07	0503010018	5/32 X 1-1/2 COTTERPIN	02
08	0521010388	PROTECTIVE COVER	02
09	0503011441	SPRING WASHER	06
10	0503013758	1/4" X 1-1/2" BOLT	06
11	0503010002	1800 GREASE FITTING	01
12	0501110746	CARRYING WHEEL HUB	02
12A	0502020605	CARRYING WHEEL HUB	01
12B	0501010127	9/16" X 1-7/8" LUG BOLT	04
12C	0503010035	9/16" CONIC NUT	04
13	1882970002	GREASE SOAP	0.001KI



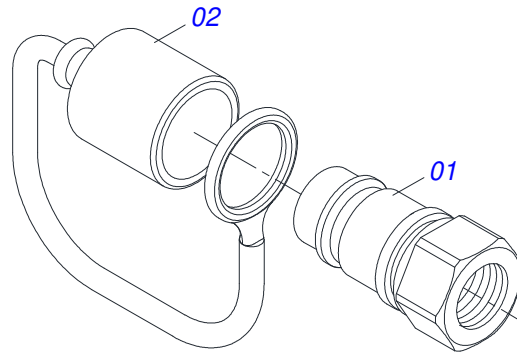
Item	Code	Description	See page	QT
01	0503013357	3/8 SELF-ADJUSTING NUT		06
02	0503010237	3/8" X 1" BOLT		06
03	0501010984	10,50 X 27 X 3,00 FLAT WASHER		12
04	0501069093	RIM FLANGE		01
05	0521010829	RIM FLANGE		01
06	0501110168	WHEEL SEGMENT BODY		01



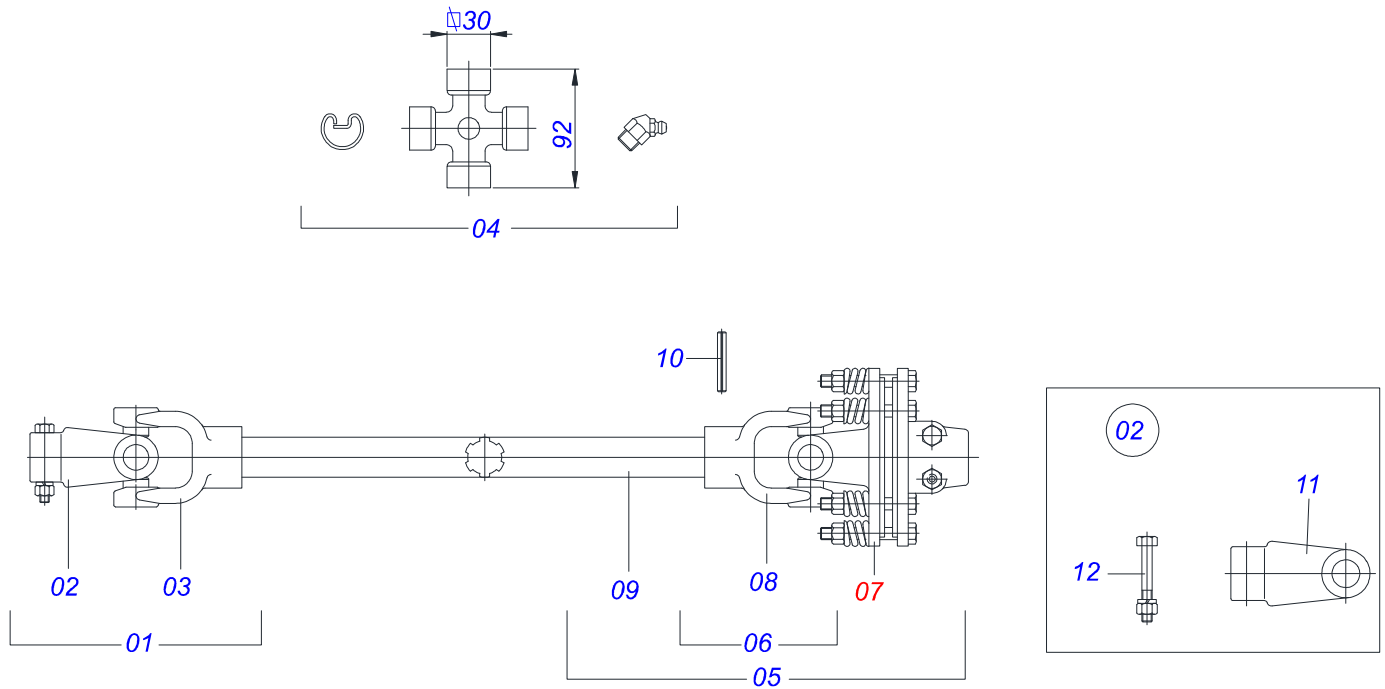
Item	Code	Description	See page	QT
01	0503060100	INSTRUCTIONS MANUAL CANISTER		01
02	0503010267	NYLON CLAMP		01
03	0503010363	BOLT 5/16 UNC X 1 C S G.2 ZN		01
04	0501010694	FLAT WASHER		01
05	0503010179	LOCK WASHER 5/16 ZN 1K01528		01
06	0503010337	5/16" NUT		01
07	0511032862	PACKAGING WITH INSTRUCTION MANUAL		01



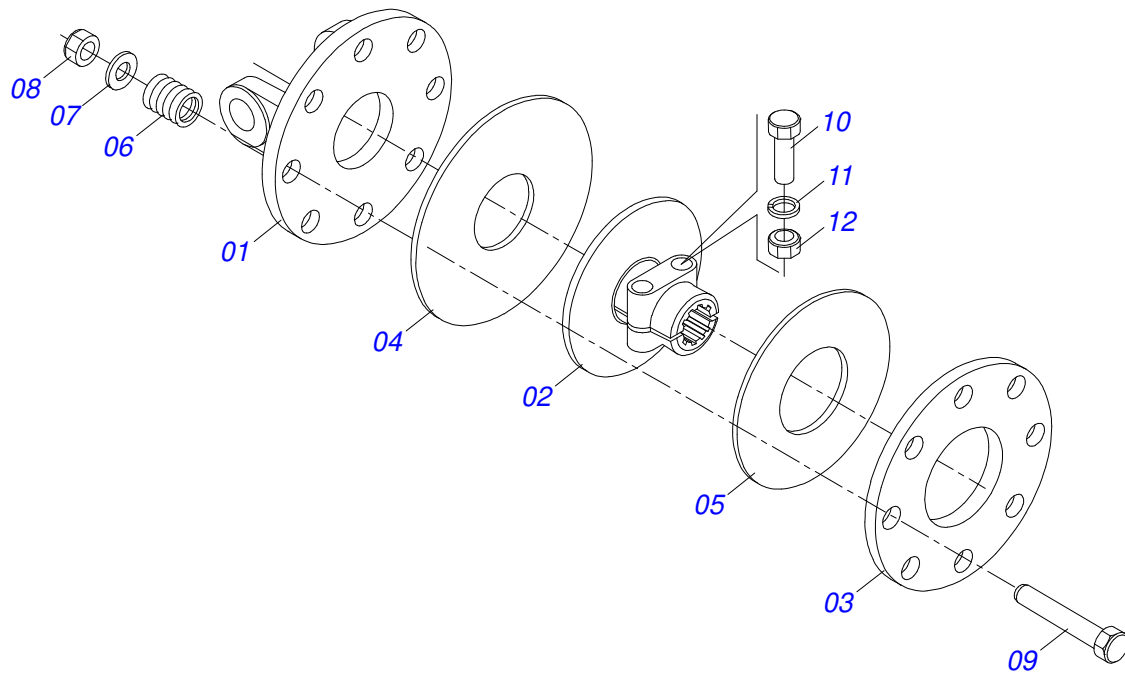
Item	Code	Description	See page	QT
01	0501064255	2.4" X 8" CYLINDER CASE		01
02	0521014292	1.7" X 15" TURNBUCLE WITH HOLES		01
03	0502040493	CLEVIS 26,50 R41		01
04	0511060370	CARRY-W REG OUTER BODY ASSY		01
05	0521014003	REG INNER BODY OF THE CARRY-WHEEL		01
06	0503011148	3/8" X 1/2" BOLT		02
07	0503011094	3/8" X 2" BOLT		01
08	0503010025	3/8 SPRING WASHER		01
09	0503010026	3/8" NUT		01
10	0503030385	CYLINDER PLUG N-002		02
11	0503010042	2-214 N 3006-9B O'RING		01
12	0503010063	1" SELF-ALIGNING NUT		01
13	0571019710	1.7" X 3.4" PISTON		01
14	0503017935	RING		01
15	0503018144	RING		01
16	0571019711	RING SUPPORT		01
17	0503010761	D-1750 SCRAPER RING		01
18	0571019709	DETACHABLE COVER		01
19	0503017936	RING		01
20	0503017938	RING GUIDE		01
21	0503017937	GASKET		01
22	0503017940	8-337 BACK-UP RING		02
23	0503017939	2-337 N 3006-9B O' RING		02
24	0501031796	HYDRAULIC CYLINDER REPAIR KIT		



Item	Code	Description	See page	QT
01	0503011627	MALE QUICK COUPLER AGR 1/2 NPT		01
02	0503011882	MALE QUICK COUPLER CAP		01

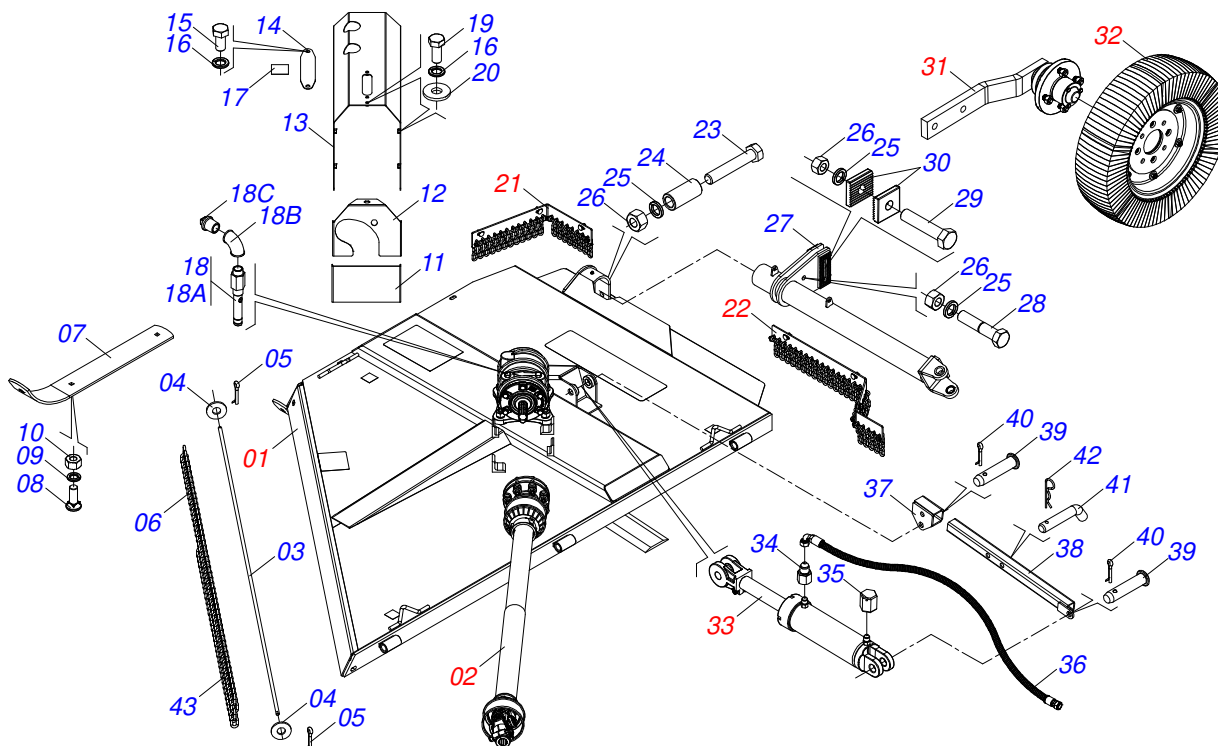


Item	Code	Description	See page	QT
01	0501052531	UNIVERSAL JOINT		01
02	0501052559	8-40 TERMINAL WITH SCREW		01
03	0503012611	T2-40E TERMINAL		01
04	0503012096	CROSSPIECE		02
05	0501052532	UNIVERSAL JOINT W/ CROSS/STR SHAFT		01
06	0501052533	UNIVERSAL JOINT WITH CROSSPIECE		01
07	0501047953	90 KGM FRICTION	16	01
08	0503012612	T2-40EF TERMINAL		01
09	0503012613	240 STRIATED AXLE		01
10	0503011877	0.3" X 2.4" SPRING PIN		01
11	0502011428	8-40 TERMINAL		01
12	0501047756	1/2" X 3" SET PARTS		01



Item	Code	Description	See page	QT
01	0503012095	FRONT FLANGE		01
02	0503011869	CENTRAL FLANGE		01
03	0503011870	REAR FLANGE		01
04	0503031474	INNER FRICTION DISC		01
05	0503031478	OUTER FRICTION DISC		01
06	0503030630	1.02"X1.3"X0.2" COMPRESSION SPRING		08
07	0511017302	FLAT WASHER 13,50 X 32,50 X 3,0 ZN		08
08	0503011336	1/2" HEX SELF ADJUSTING NUT		08
09	0503010752	1/2" X 3.1/2" BOLT		08
10	0503010741	1/2" X 2-3/4" BOLT		02
11	0503010019	1/2" SPRING WASHER		02
12	0503010060	1/2 UNC G.5 ZN HEX NUT		02

ASSY RIGHT SIDE FRAME



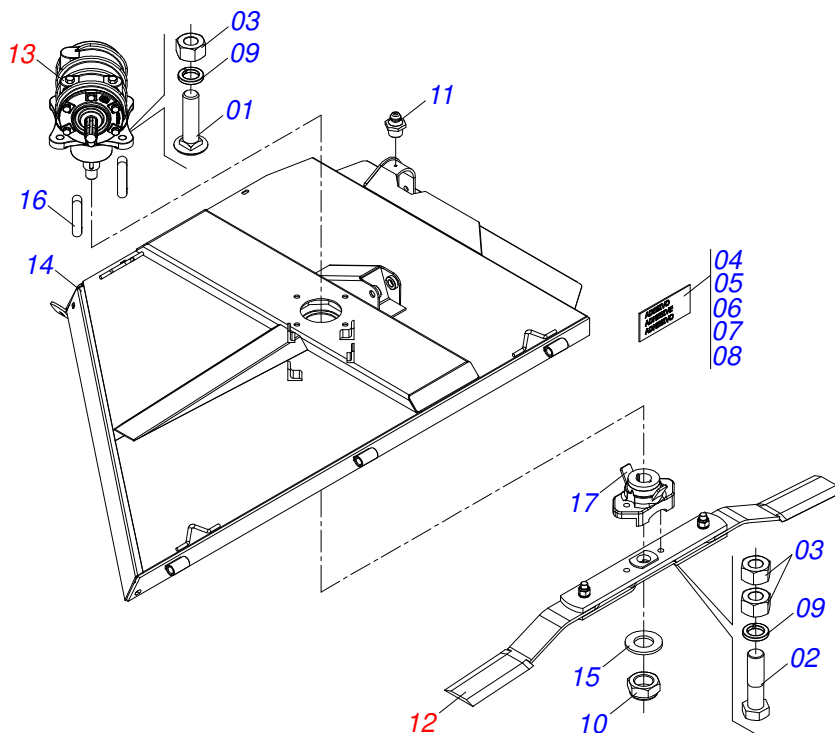
Item	Code	Description	See page	QT
01	0521051854	FRAME SEMI MOUNTED RIGHT SIDE	18	01
02	0501049131	DRIVE SHAFT	21	01
03	0511012253	71.2" ROD OF THE CHAIN		01
04	0511017302	FLAT WASHER 13,50 X 32,50 X 3,0 ZN		02
05	0503010300	5/32" X 1" COTTERPIN		02
06	0511013029	8,00 CHAIN 3 LINK		15
07	0521018989	SKID SIDE GUIDE		01
08	0503012956	1/2" X 1-1/2" BOLT		03
09	0503010019	1/2" SPRING WASHER		03
10	0503012682	1/2" BSW NUT		03
11	0581014005	LOWER FRONT PROTECTION COVER		01
12	0581014004	RIGHT TOP FRONT PROTECTION COVER		01
13	0501111002	RIGHT MULTIPLIER PROTECTION COVER		01
14	0581012546	LUBRICATION AXIS TRANSMISSION		01
15	0503010256	3/8" X 3/4" BOLT		02
16	0503010025	3/8 SPRING WASHER		11
17	0503034247	ADHESIVE LABEL POINT LUBRICATION		01
18	0521051856	OIL LEVEL MARKER WITH BOW		01
18A	0581015316	BODY MARKER LEVEL OIL		01
18B	0581015331	1/2 BSPT 90 ° ELBOW		01
18C	0581015330	BREATHER CAP		01
19	0503010237	3/8" X 1" BOLT		09
20	0501010984	10,50 X 27 X 3,00 FLAT WASHER		09
21	0521050732	RIGHT SIDE CURRENT PROTECTION SMALLER	22	01
22	0521050733	LARGER RIGHT SIDE CURRENT PROTECTION	23	01
		BACK		
23	0503011198	C3/4" X 6" SCREW		01
24	0511017147	0.8" X 1.2" X 4.1" BUSHING		01
25	0503010023	3/4" SPRING WASHER		03
26	0503010014	3/4" HEX NUT		03
27	0511064928	LEFT SIDE CARRYING WHEELS SUPPORT		01
28	0503012334	3/4" UNC X 3.1/2" BOLT		01



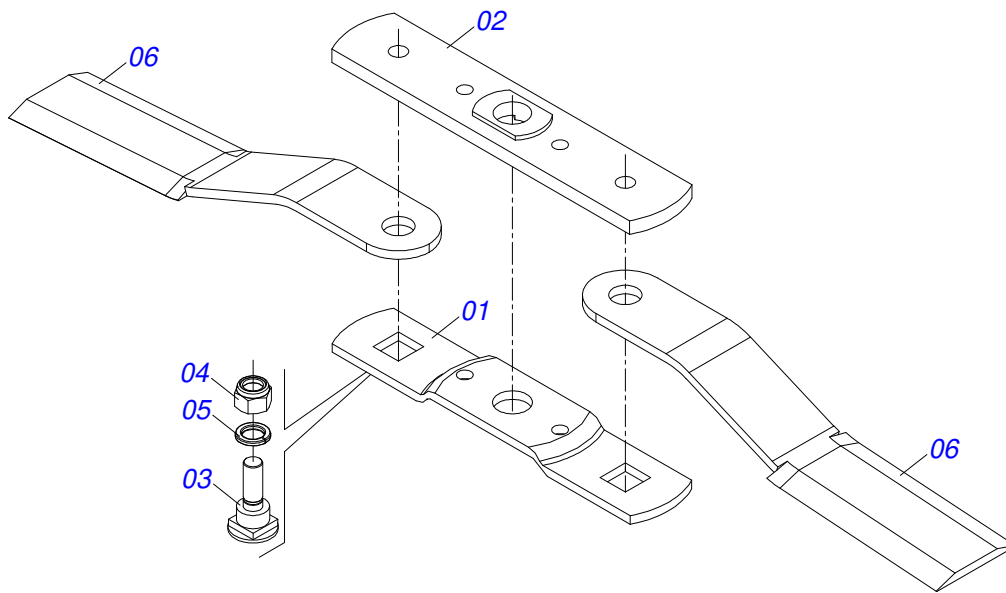
ASSY RIGHT SIDE FRAME

0909095406

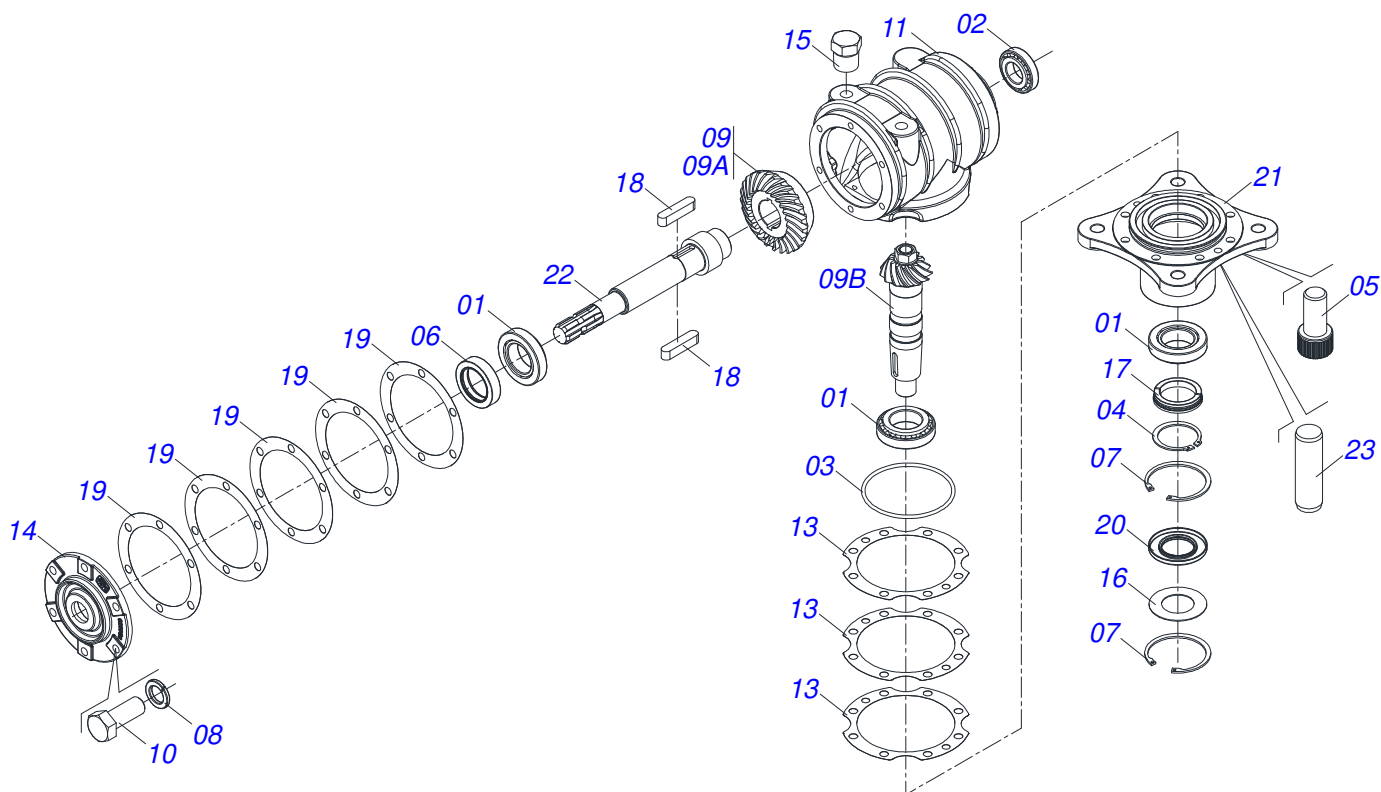
Item	Code	Description	See page	QT
29	0503013185	3/4" X 5-1/2" BOLT		01
30	0502012231	SQUARE WASHER		02
31	0501054971	SIDE WHEEL WITHOUT TIRE	24	01
32	0501043559	SEGMENTED WHEEL 525	11	01
33	0511058442	HYDRAULIC CYLINDER	25	01
34	0511018012	HIDRAULIC ADAPTER		01
35	0511017628	BREATHING HOLE OF THE CYLINDER HIDR		01
36	0501080396	3/8" X 45" HOSE		01
37	0521067681	TRANSPORT LOCK GUIDE		01
38	0521067678	ARM LOCK TRANSPORT		01
39	0521012534	0.9" X 6.1" AXLE		02
40	0503010571	1/4" X 1.1/2 COTTERPIN		02
41	0501011075	PIN		01
42	0503030012	HITCH PIN CLIP		01
43	0511011774	8,00 CHAIN 4 LINK		33



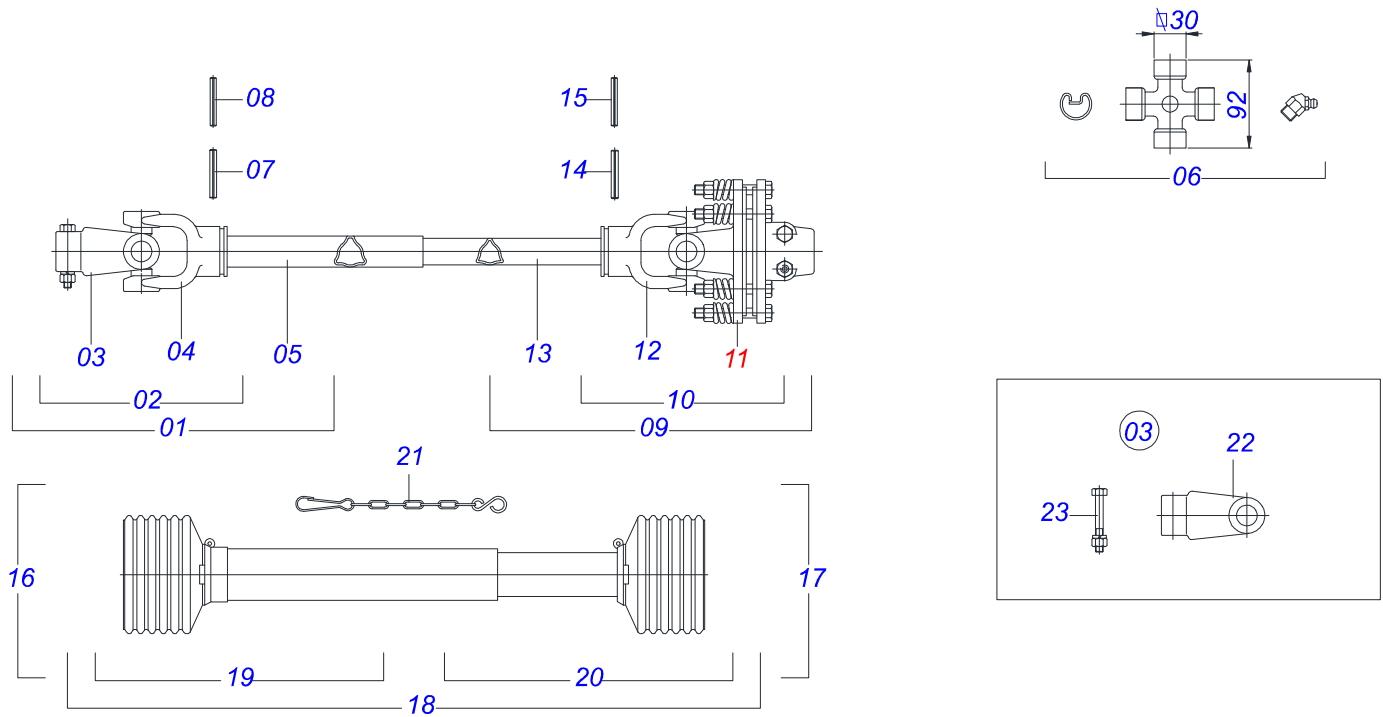
Item	Code	Description	See page	QT
01	0503013122	3/4 UNC X 4.1/4 CAPQ G.5 ZNBOLT		04
02	0503010901	3/4UNC 3.1/2 BOLT		02
03	0503010014	3/4" HEX NUT		08
04	0503034428	ADHESIVE LABEL		01
05	0503034078	LIFTING POINTS DECAL		03
06	0503032060	ADHESIVE LABEL		01
07	0503031930	ADHESIVE LABEL		01
08	0503031127	ADHESIVE LABEL		01
09	0503011442	3/4" SPRING WASHER		06
10	0503010044	1-1/4" SELF LOCKING NUT		01
11	0503010002	1800 GREASE FITTING		01
12	0501056330	CUTTER BLADES ROTARY SUPPORT	19	01
13	0501046978	SPEED MULTIPLIER	20	01
14	0521064848	RIGHT SIDE FRAME		01
15	0501017779	32 X 60 X 4.75 FLAT WASHER		01
16	0501010536	KEYWAY SQUARE		02
17	0502012453	SUPPORT FLANGE		01



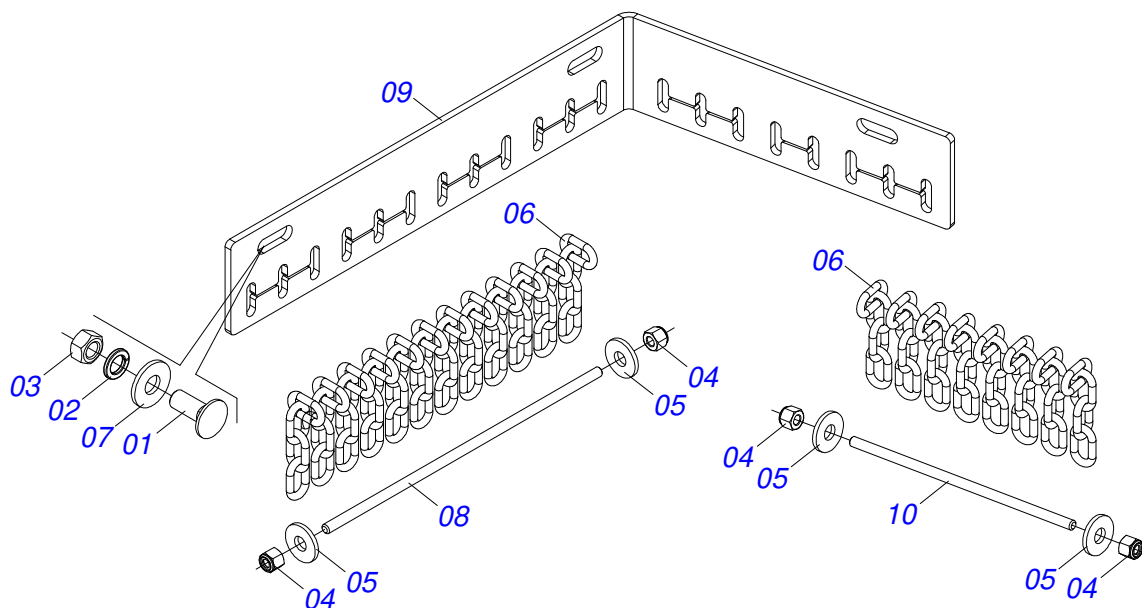
Item	Code	Description	See page	QT
01	0561017368	ROTARY LOWER SUPPORT		01
02	0561017308	SUPPORT UPPER BASE		01
03	0511019000	BOLT		02
04	0503010812	7/8" UNF SELF LOCKING NUT		02
05	0503011447	SPRING WASHER		02
06	0622400051	24.5" X 3.94" X 0.5" ROTARY CUTTER		02



Item	Code	Description	See page	QT
01	0503010006	32210 ROLLER BEARING		03
02	0503010037	30207 ROLLER BEARING		01
03	0503010286	2-355 N 3006-9B O'RING		01
04	0503010396	501060 CLAMPING RING (FOR AXLE)		01
05	0503010562	1/2" X 1" BOLT		08
06	0503011171	00912-BRG SEAL		01
07	0503011190	SEAL RING		02
08	0503011440	SPRING WASHER		06
09	0503060211	CROWN PINION SET		01
09A	0503050069	25Z CONICAL GEAR		01
09B	0503061048	PINION		01
10	0503010395	1/2" X 1-1/4" BOLT		06
11	0502010983	RIGHT MULTIPLIER BOX		01
12	3402301247	MINERAL OIL GREASE		2,5Lts
13	0503030785	7.9" X 5.9" X 0.008" JOINT		03
14	0502010986	SMALLER COVER		01
15	0503031604	1/2" BSP PLUG		02
16	0521018064	FLAT WASHER		01
17	0511010142	LOCK RING		01
18	0501010536	KEYWAY SQUARE		02
19	0503030783	7.1" X 5.3" X 0.008" JOINT		05
20	0503011047	5089 SEAL		01
21	0502011393	LOWER HUB		01
22	0503050068	UPPER AXLE		01
23	0503017877	PIN GUIDE		02

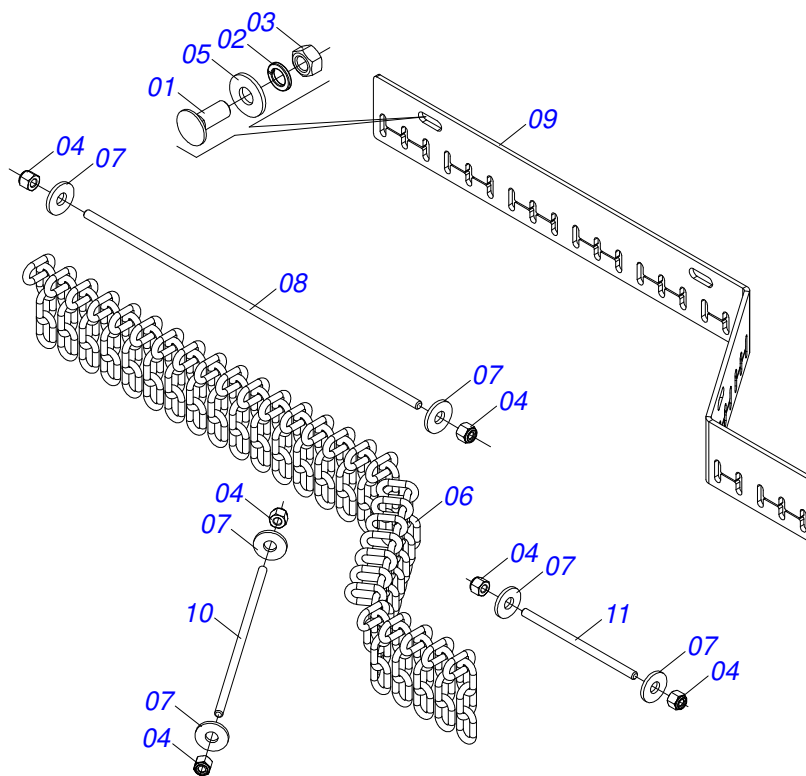


Item	Code	Description	See page	QT
01	0501052534	UNIVERSAL JOINT WITH SLEEVE		01
02	0501052535	UNIVERSAL JOINT		01
03	0501052559	8-40 TERMINAL WITH SCREW		01
04	0503012614	T2-40/CI251 TERMINAL		01
05	0503012615	2.1" X 2.0" X 38" TRIAN FEMALE		01
06	0503012096	CROSSPIECE		02
07	0503011069	0.4" X 2.8" SPRING PIN		01
08	0503010510	0.2" X 2.6" SPRING PIN		01
09	0501052536	UNIVERSAL JOINT WITH CROSS/SHAFT		01
10	0501052537	UNIVERSAL JOINT WITH CROSSPIECE		01
11	0501047953	90 KGM FRICTION	16	01
12	0503012616	T3-40/CI252 TERMINAL		01
13	0503012617	1.8" X 1.7" X 38" TRIAN MALE TU		01
14	0503010361	SPRING PIN		01
15	0503010756	0.2" X 2.4" SPRING PIN		01
16	0501052539	UNIVERSAL JOINT WITH SLEEVE/PROT		01
17	0501052540	UNIVERSAL JOINT WITH SHAFT/PROT		01
18	0503012098	PROTECTION ASSY		01
19	0503012099	PROTECTION FOR UNIV JOINT AND SLEEV		01
20	0503012100	PROTECTION FOR UNIV JOINT AND AXLE		01
21	0503012023	CHAIN FOR PROTECTION		02
22	0502011428	8-40 TERMINAL		01
23	0501047756	1/2" X 3" SET PARTS		01

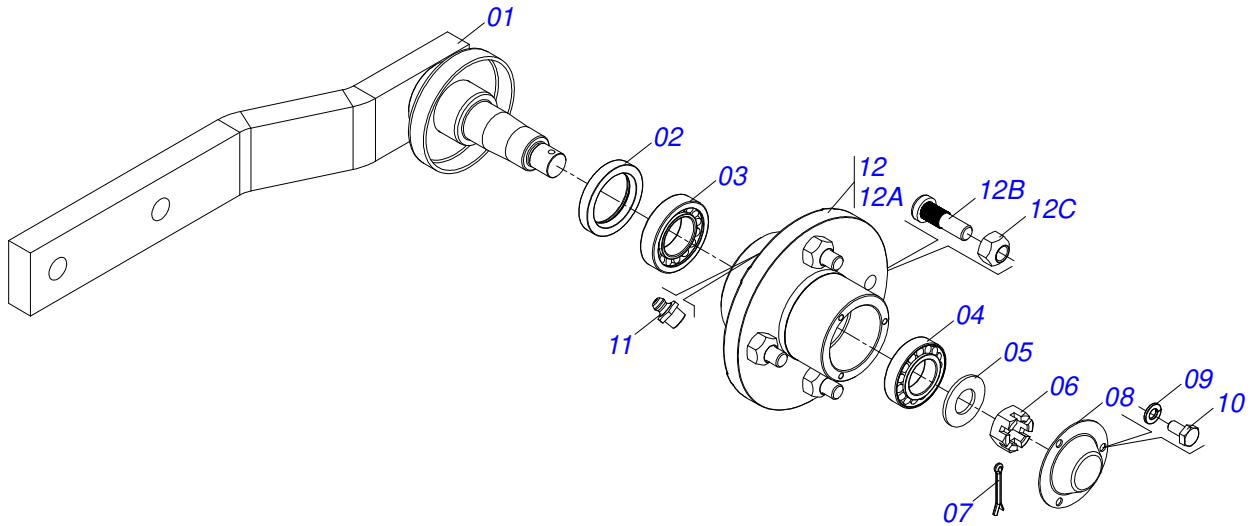


Item	Code	Description	See page	QT
01	0501011600	1/2" X 1-1/4" BOLT		03
02	0503010019	1/2" SPRING WASHER		03
03	0503012682	1/2" BSW NUT		03
04	0503013759	NUT		04
05	0511017302	FLAT WASHER 13,50 X 32,50 X 3,0 ZN		03
06	0511011774	8,00 CHAIN 4 LINK		21
07	0501010984	10,50 X 27 X 3,00 FLAT WASHER		04
08	0581014034	CURRENT PROTECTION BAR (435)		01
09	0581014041	BODY RIGHT SIDE CURRENT PROTECTION		01
10	0581014033	CURRENT PROTECTION BAR (325)		01

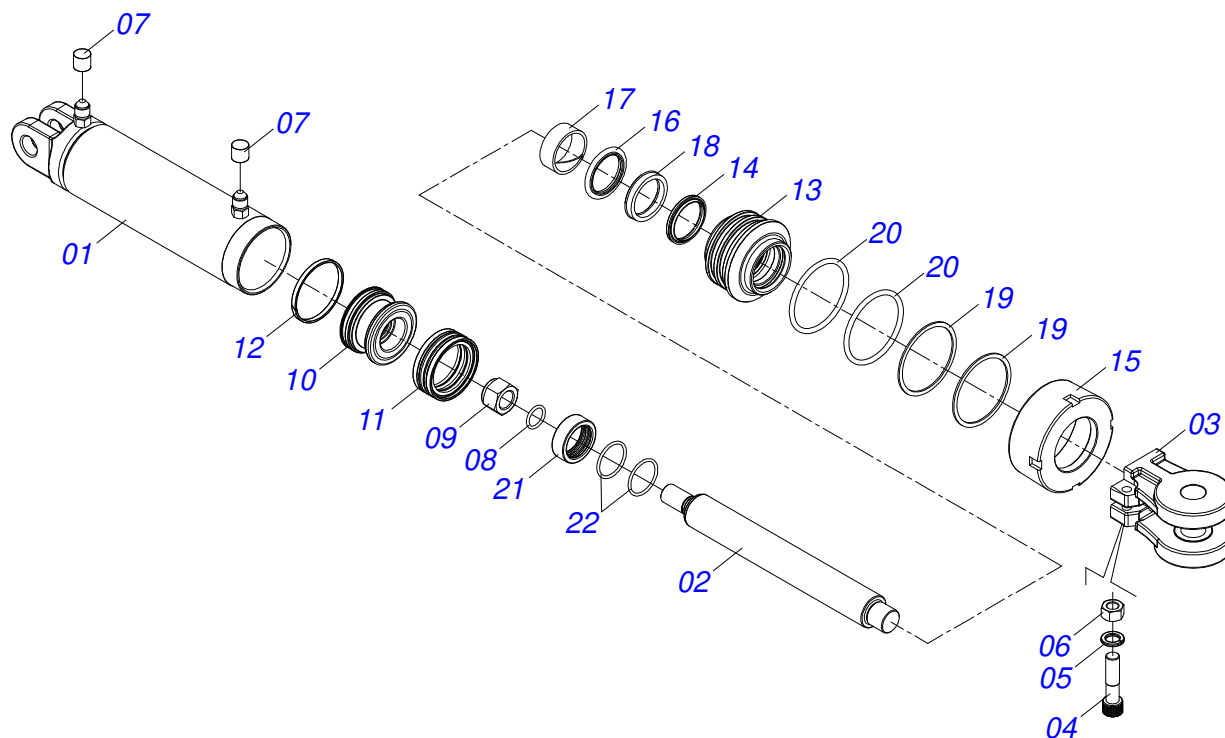
LARGER RIGHT SIDE CURRENT PROTECTION BACK



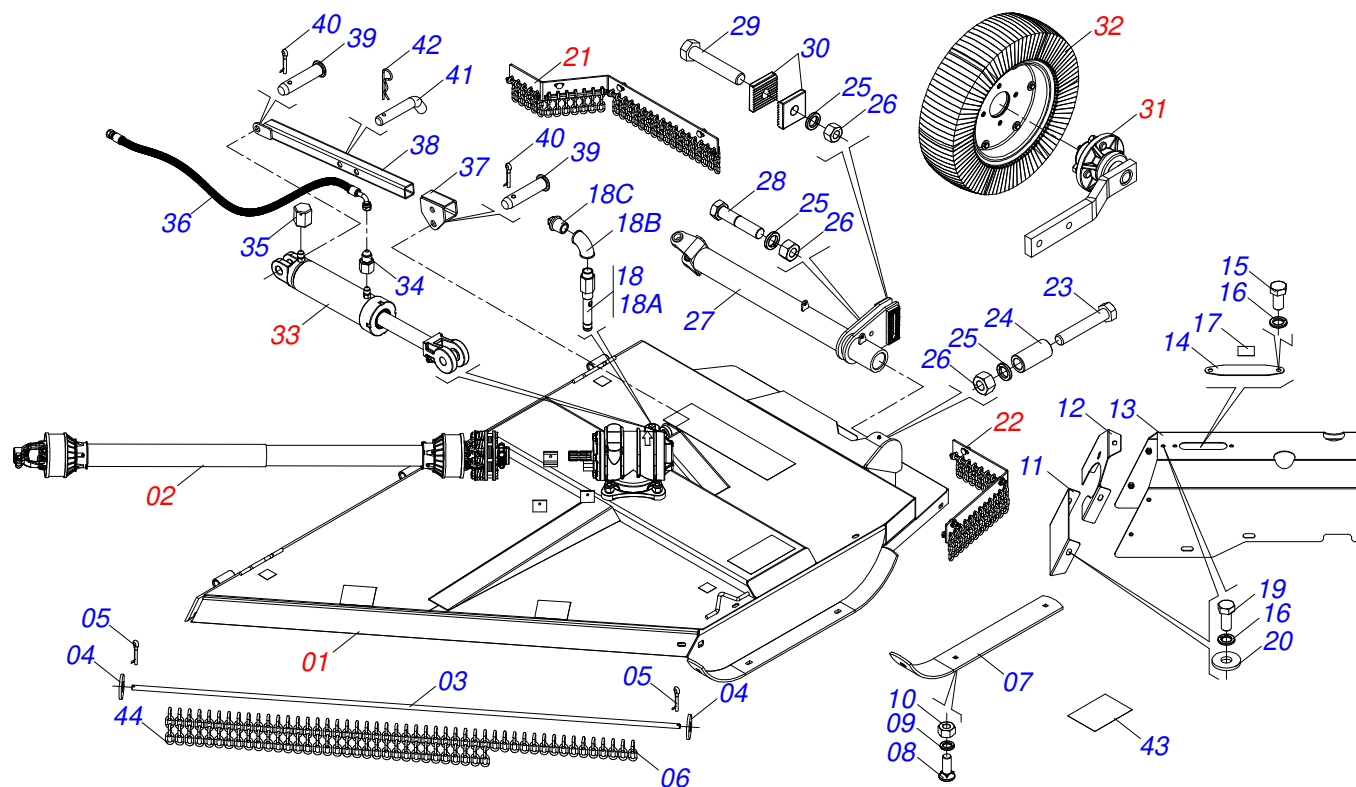
Item	Code	Description	See page	QT
01	0501011600	1/2" X 1-1/4" BOLT		03
02	0503010019	1/2" SPRING WASHER		03
03	0503012682	1/2" BSW NUT		03
04	0503013759	NUT		06
05	0511017302	FLAT WASHER 13,50 X 32,50 X 3,0 ZN		03
06	0511011774	8,00 CHAIN 4 LINK		32
07	0501010984	10,50 X 27 X 3,00 FLAT WASHER		06
08	0581014039	CURRENT PROTECTION BAR (725)		01
09	0581014042	BODY PROTECTION CURRENT RIGHT SIDE MAJOR		01
10	0581014037	CURRENT PROTECTION BAR (255)		01
11	0581014036	CURRENT PROTECTION BAR (185)		01



Item	Code	Description	See page
01	0511065148	AXLE SIDE CARRYING-WHEELS ARM	01
02	0503010278	SEAL	01
03	0503010016	BEARING LM	01
04	0503010022	BEARING LM	01
05	0501010076	FLAT WASHER	01
06	0503030010	7/8" CASTLE NUT	01
07	0503010018	5/32 X 1-1/2 COTTERPIN	01
08	0521010388	PROTECTIVE COVER	01
09	0503011441	SPRING WASHER	03
10	0503013758	1/4" X 1-1/2" BOLT	03
11	0503010002	1800 GREASE FITTING	01
12	0501110746	CARRYING WHEEL HUB	01
12A	0501010127	9/16" X 1-7/8" LUG BOLT	04
12B	0503010035	9/16" CONIC NUT	04
13	1882970002	GREASE SOAP	0.13Kg



Item	Code	Description	See page	QT
01	0501064255	2.4" X 8" CYLINDER CASE		01
02	0521010421	HYDRAULIC CYLINDER TURNBUCKLE		01
03	0502040493	CLEVIS 26,50 R41		01
04	0503011094	3/8" X 2" BOLT		01
05	0503010025	3/8 SPRING WASHER		01
06	0503010026	3/8" NUT		01
07	0503030385	CYLINDER PLUG N-002		02
08	0503010042	2-214 N 3006-9B O'RING		01
09	0503010063	1" SELF-ALIGNING NUT		01
10	0571019710	1.7" X 3.4" PISTON		01
11	0503017935	RING		01
12	0503018144	RING		01
13	0571019711	RING SUPPORT		01
14	0503010761	D-1750 SCRAPER RING		01
15	0571019709	DETACHABLE COVER		01
16	0503017936	RING		01
17	0503017938	RING GUIDE		01
18	0503017937	GASKET		01
19	0503017940	8-337 BACK-UP RING		02
20	0503017939	2-337 N 3006-9B O' RING		02
21	0581010850	LIMITER		01
22	0503013917	O'RING 2-224		02



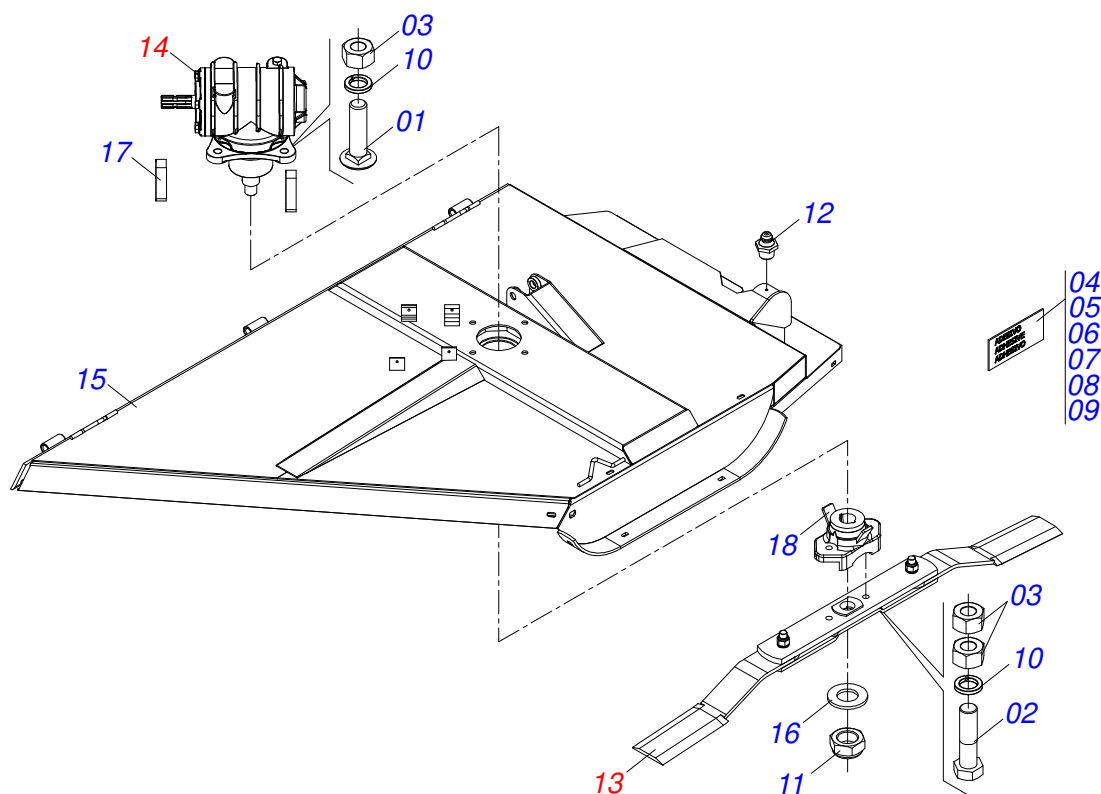
Item	Code	Description	See page	QT
01	0521051855	FRAME SEMI MOUNTED SIDE LEFT	27	01
02	0501049131	DRIVE SHAFT	21	01
03	0511012253	71.2" ROD OF THE CHAIN		01
04	0511017302	FLAT WASHER 13,50 X 32,50 X 3,0 ZN		02
05	0503010300	5/32" X 1" COTTERPIN		02
06	0511013029	8,00 CHAIN 3 LINK		15
07	0521018989	SKID SIDE GUIDE		01
08	0503012956	1/2" X 1-1/2" BOLT		03
09	0503010019	1/2" SPRING WASHER		03
10	0503012682	1/2" BSW NUT		03
11	0581014005	LOWER FRONT PROTECTION COVER		01
12	0581014007	PROTECTION TOP COVER FRONT LEFT		01
13	0501111003	LEFT MULTIPLIER PROTECTION COVER		01
14	0581012546	LUBRICATION AXIS TRANSMISSION		01
15	0503010256	3/8" X 3/4" BOLT		02
16	0503010025	3/8 SPRING WASHER		11
17	0503034247	ADHESIVE LABEL POINT LUBRICATION		01
18	0521051856	OIL LEVEL MARKER WITH BOW		01
18A	0581015316	BODY MARKER LEVEL OIL		01
18B	0581015331	1/2 BSPT 90 ° ELBOW		01
18C	0581015330	BREATHER CAP		01
19	0503010237	3/8" X 1" BOLT		09
20	0501010984	10,50 X 27 X 3,00 FLAT WASHER		09
21	0521050726	CURRENT PROTECTION SIDE LEFT HIGHER	28	01
22	0521050725	PROTECTION CURRENT SIDE LEFT LOWER	29	01
23	0503011198	C3/4" X 6" SCREW		01
24	0511017147	0.8" X 1.2" X 4.1" BUSHING		01
25	0503010023	3/4" SPRING WASHER		03
26	0503010014	3/4" HEX NUT		03
27	0511064927	RIGHT SIDE CARRYING WHEELS SUPPORT		01
28	0503012334	3/4" UNC X 3.1/2" BOLT		01



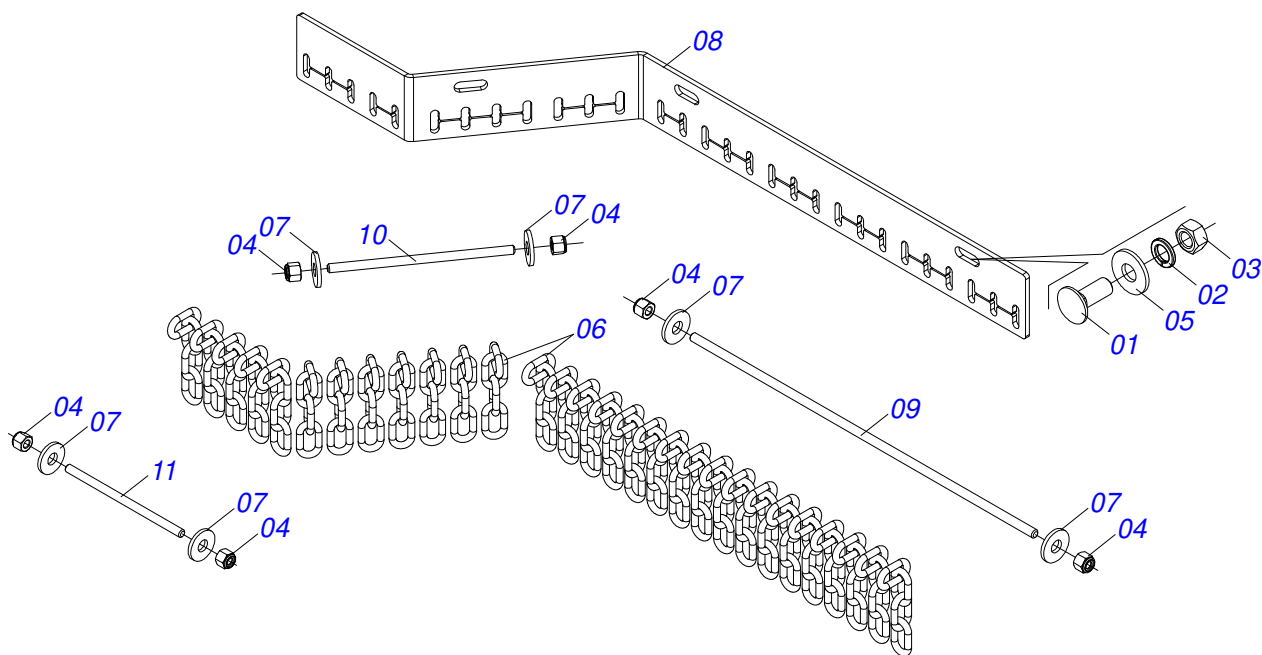
RC2 4500
ASSY LEFT SIDE FRAME

Page 26
0909095407

Item	Code	Description	See page	QT
29	0503013185	3/4" X 5-1/2" BOLT		01
30	0502012231	SQUARE WASHER		02
31	0501054971	SIDE WHEEL WITHOUT TIRE	24	01
32	0501043559	SEGMENTED WHEEL 525	11	01
33	0511058442	HYDRAULIC CYLINDER	25	01
34	0511018012	HIDRAULIC ADAPTER		01
35	0511017628	BREATHING HOLE OF THE CYLINDER HIDR		01
36	0501080396	3/8" X 45" HOSE		01
37	0521067681	TRANSPORT LOCK GUIDE		01
38	0521067678	ARM LOCK TRANSPORT		01
39	0521012534	0.9" X 6.1" AXLE		02
40	0503010571	1/4" X 1.1/2 COTTERPIN		02
41	0501011075	PIN		01
42	0503030012	HITCH PIN CLIP		01
43	0503031087	ADHESIVE LABEL		01
44	0511011774	8,00 CHAIN 4 LINK		33

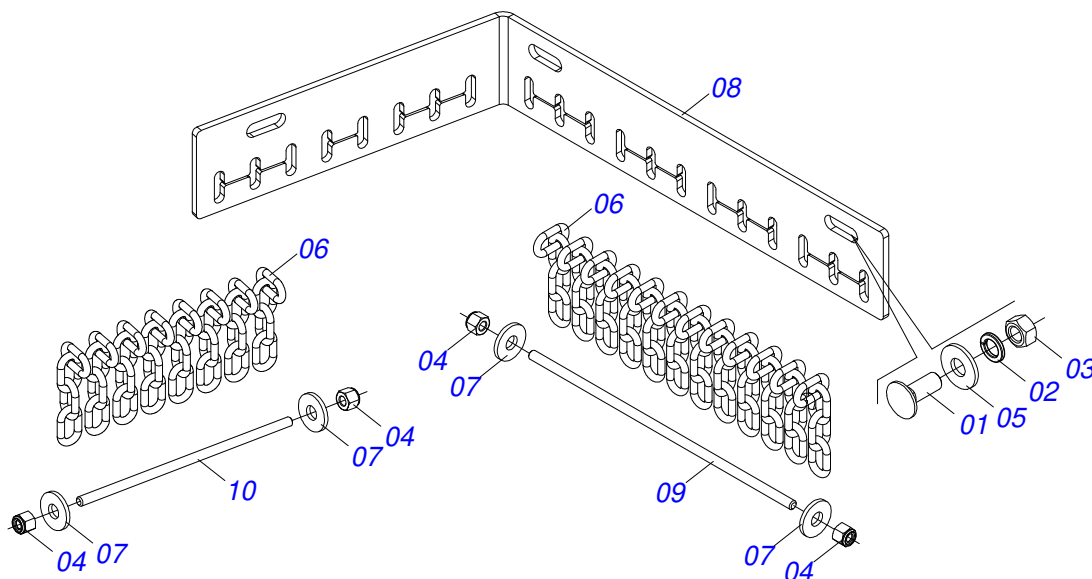


Item	Code	Description	See page	QT
01	0503013122	3/4 UNC X 4.1/4 CAPQ G.5 ZNBOLT		04
02	0503010901	3/4UNC 3.1/2 BOLT		02
03	0503010014	3/4" HEX NUT		08
04	0503034333	ADHESIVE LABEL		01
05	0503034078	LIFTING POINTS DECAL		03
06	0503032060	ADHESIVE LABEL		01
07	0503031932	ADHESIVE LABEL		01
08	0503031929	ADHESIVE LABEL		01
09	0503031127	ADHESIVE LABEL		01
10	0503011442	3/4" SPRING WASHER		06
11	0503010044	1-1/4" SELF LOCKING NUT		01
12	0503010002	1800 GREASE FITTING		01
13	0501056330	CUTTER BLADES ROTARY SUPPORT	19	01
14	0501046978	SPEED MULTIPLIER	20	01
15	0521064849	LEFT SIDE FRAME		01
16	0501017779	32 X 60 X 4.75 FLAT WASHER		01
17	0501010536	KEYWAY SQUARE		02
18	0502012453	SUPPORT FLANGE		01



Item	Code	Description	See page	QT
01	0501011600	1/2" X 1-1/4" BOLT		03
02	0503010019	1/2" SPRING WASHER		03
03	0503012682	1/2" BSW NUT		03
04	0503013759	NUT		06
05	0511017302	FLAT WASHER 13,50 X 32,50 X 3,0 ZN		03
06	0511011774	8,00 CHAIN 4 LINK		32
07	0501010984	10,50 X 27 X 3,00 FLAT WASHER		06
08	0581014040	BODY PROTECTION CURRENT SIDE LEFT HIGHER		01
09	0581014039	CURRENT PROTECTION BAR (725)		01
10	0581014037	CURRENT PROTECTION BAR (255)		01
11	0581014036	CURRENT PROTECTION BAR (185)		01

PROTECTION CURRENT SIDE LEFT LOWER



Item	Code	Description	See page	QT
01	0501011600	1/2" X 1-1/4" BOLT		03
02	0503010019	1/2" SPRING WASHER		03
03	0503012682	1/2" BSW NUT		03
04	0503013759	NUT		04
05	0511017302	FLAT WASHER 13,50 X 32,50 X 3,0 ZN		03
06	0511011774	8,00 CHAIN 4 LINK		21
07	0501010984	10,50 X 27 X 3,00 FLAT WASHER		04
08	0581014035	BODY LOWER SIDE CURRENT PROTECTION		01
09	0581014034	CURRENT PROTECTION BAR (435)		01
10	0581014033	CURRENT PROTECTION BAR (325)		01



MARCHESAN

Technical Publications | Elaboration and Revision

ALESSANDRA PATRICIA KAWAHARA CARRILI

www.marchesan.com.br

