

OFFSET DISK HARROW

ATCR

12/14/16/18/20/22/23/24/25/26/28/29/32/44D

Code: 0501092551
Series: S-1090
Revision: 00
Date Revision: AGOSTO/2021

PARTS CATALOGUE



MARCHESAN



PRODUCTS

Code	Description
0102440001	ATCR 12 X 24 X 6,00 CM S-1090
0102440447	ATCR 12 X 24 X 6,00 CM S-1090
0102440448	ATCR 12 X 24 X 6,00 DM S-1090
0102440031	ATCR 12 X 24 X 6,00 DM S-1090
0102440002	ATCR 12 X 26 X 6,00 CM S-1090
0102440032	ATCR 12 X 26 X 6,00 DM S-1090
0102440002C	ATCR 12 X 26 X 6,00 DR CM EXP S-1090
0102440384	ATCR 12 X 28 X 6,00 CM S-1090
0102440086	ATCR 12 X 28 X 6,00 DM S-1090
0102440388	ATCR 14 DM S/DISCO S-1090
0102440003	ATCR 14 X 24 X 6,00 CM S-1090
0102440033	ATCR 14 X 24 X 6,00 DM S-1090
0102440033C	ATCR 14 X 24 X 6,00 DM EXP S-1090
0102440410	ATCR 14 X 24 X 6,00 DM C/P S-1090
0102440345	ATCR 14 X 24 X 7,50 CM S-1090
0102440344	ATCR 14 X 24 X 7,50 DM S-1090
0102440413	ATCR 14 X 26 X 6,0 DM S/PN S-1090
0102440414	ATCR 14 X 26 X 6,0 DM S/PN S-1090
0102440004	ATCR 14 X 26 X 6,00 CM S-1090
0102440004C	ATCR 14 X 26 X 6,00 CM EXP S-1090
0102440329	ATCR 14 X 26 X 6,00 CM RD S-1090
0102440379	ATCR 14 X 26 X 6,00 CM RD ESPECIAL S-1090
0102440034	ATCR 14 X 26 X 6,00 DM S-1090
0102440296	ATCR 14 X 26 X 6,00 DM C/P ZA S1090
0102440034C	ATCR 14 X 26 X 6,00 DR DM EXP S-1090
0102440062	ATCR 14 X 28 X 6,00 CM S-1090
0102440069	ATCR 14 X 28 X 6,00 DM S-1090
0102440210	ATCR 14 X 28 X 7,50 DM S-1090
0102440197	ATCR 16 X 24 X 4,75 DM S-1090
0102440292	ATCR 16 X 24 X 6,0 DM C/P ZA S-1090

ATTENTION: IMPORTANT

Marchesan S.A. reserves the right to improve and/or modify the technical features of its products, without obligation to do the same with those products already sold and without prior knowledge of the dealer or the consumer. The photos are only illustrative.



PRODUCTS

0102440005	ATCR 16 X 24 X 6,00 CM	S-1090
0102440372	ATCR 16 X 24 X 6,00 CM MT	S-1090
0102440035	ATCR 16 X 24 X 6,00 DM	S-1090
0102440392C	ATCR 16 X 24 X 6,00 DM DR PN750 EXP	S-1090
0102440392	ATCR 16 X 24 X 6,00 DM DR PN750	S-1090
0102440477	ATCR 16 X 24 X 6,00 DR DM C/PN 11L15	S-1090
0102440035C	ATCR 16 X 24 X 6,00 DR DM EXP	S-1090
0102440394	ATCR 16 X 24 X 9,00 DM	S-1090
0102440006	ATCR 16 X 26 X 6,00 CM	S-1090
0102440006C	ATCR 16 X 26 X 6,00 CM EXP	S-1090
0102440331	ATCR 16 X 26 X 6,00 CM RD	S-1090
0102440036	ATCR 16 X 26 X 6,00 DM	S-1090
0102440297	ATCR 16 X 26 X 6,00 DM C/P	ZA
0102440342	ATCR 16 X 26 X 6,00 DM DL	S-1090
0102440343	ATCR 16 X 26 X 6,00 DM MT	S-1090
0102440354	ATCR 16 X 26 X 6,00 DM PN750	S-1090
0102440327	ATCR 16 X 26 X 6,00 DM TERR	S-1090
0102440036C	ATCR 16 X 26 X 6,00 DR DM EXP	S-1090
0102440067	ATCR 16 X 28 X 6,00 CM	S-1090
0102440061	ATCR 16 X 28 X 6,00 DM	S-1090
0102440464	ATCR 16 X 28 X 6,00 DM DL	S-1090
0102440175	ATCR 16 X 28 X 7,50 CM	S-1090
0102440211	ATCR 16 X 28 X 7,50 DM	S-1090
0102440450	ATCR 18 X 24 6,0 DM C/ PN 11L15	
0102440007	ATCR 18 X 24 X 6,00 CM	S-1090
0102440117	ATCR 18 X 24 X 6,00 CM MT	S-1090
0102440037	ATCR 18 X 24 X 6,00 DM	S-1090
0102440411	ATCR 18 X 24 X 6,00 DM C/P	S-1090
0102440341	ATCR 18 X 24 X 6,00 DM DL	S-1090
0102440450C	ATCR 18 X 24 X 6,00 DR DM C/PN 11L15 EXP	S-1090
0102440037C	ATCR 18 X 24 X 6,00 DR DM EXP	S-1090

ATTENTION: IMPORTANT

Marchesan S.A. reserves the right to improve and/or modify the technical features of its products, without obligation to do the same with those products already sold and without prior knowledge of the dealer or the consumer. The photos are only illustrative.

PRODUCTS

0102440409	ATCR 18 X 26 X 6,0 DM C/PN 11L15
0102440008	ATCR 18 X 26 X 6,00 CM S-1090
0102440008C	ATCR 18 X 26 X 6,00 CM EXP S-1090
0102440112	ATCR 18 X 26 X 6,00 CM MT S-1090
0102440332	ATCR 18 X 26 X 6,00 CM RD S-1090
0102440038	ATCR 18 X 26 X 6,00 DM S-1090
0102440038C	ATCR 18 X 26 X 6,00 DM S-1090 EXP
0102440338	ATCR 18 X 26 X 6,00 DM ZA S-1090
0102440479	ATCR 18 X 26 X 6,00 DM MT S-1090
0102440084	ATCR 18 X 26 X 7,50 DM S-1090
0102440009	ATCR 18 X 28 X 6,00 CM S-1090
0102440039	ATCR 18 X 28 X 6,00 DM S-1090
0102440207	ATCR 18 X 28 X 7,50 CM S-1090
0102440212	ATCR 18 X 28 X 7,50 DM S-1090
0102440010	ATCR 20 X 24 X 6,00 CM S-1090
0102440118	ATCR 20 X 24 X 6,00 CM MT S-1090
0102440040	ATCR 20 X 24 X 6,00 DM S-1090
0102440040C	ATCR 20 X 24 X 6,00 DM EXP S-1090
0102440366C	ATCR 20 X 24 X 6,00 DR DM PN11L15 EXP S-1090
0102440366	ATCR 20 X 24 X 6,00DM PN11L15 S1090
0102440011	ATCR 20 X 26 X 6,00 CM S-1090
0102440011C	ATCR 20 X 26 X 6,00 CM EXP S-1090
0102440350	ATCR 20 X 26 X 6,00 CM E1.3/4 S1090
0102440041	ATCR 20 X 26 X 6,00 DM S-1090
0102440267	ATCR 20 X 26 X 6,00 DM C/P ZA
0102440485	ATCR 20 X 26 X 6,00 DM DL S-1090
0102440346	ATCR 20 X 26 X 6,00 DM MT S-1090
0102440041C	ATCR 20 X 26 X 6,00 DM S-1090 EXP
0102440321	ATCR 20 X 26 X 6,00 DM TERR S-1090
0102440407	ATCR 20 X 26 X 6,00DM S/DC/PN S1090
0102440254	ATCR 20 X 26 X 7,50 DM S-1090

ATTENTION: IMPORTANT

Marchesan S.A. reserves the right to improve and/or modify the technical features of its products, without obligation to do the same with those products already sold and without prior knowledge of the dealer or the consumer. The photos are only illustrative.



PRODUCTS

0102440012	ATCR 20 X 28 X 6,00 CM	S-1090
0102440042	ATCR 20 X 28 X 6,00 DM	S-1090
0102440487	ATCR 20 X 28 X 6,00 DM DL	S-1090
0102440208	ATCR 20 X 28 X 7,50 CM	S-1090
0102440383	ATCR 20 X 28 X 7,50 CM DL	S-1090
0102440213	ATCR 20 X 28 X 7,50 DM	S-1090
0102440369	ATCR 20 X 28X7,50 DM C/P	AUST S1090
0102440070	ATCR 22 X 24 X 6,00 CM	S-1090
0102440071	ATCR 22 X 24 X 6,00 DM	S-1090
0102440072	ATCR 22 X 26 X 6,00 CM	S-1090
0102440418	ATCR 22 X 26 X 6,00 CM DL	S-1090
0102440073	ATCR 22 X 26 X 6,00 DM	S-1090
0102440073C	ATCR 22 X 26 X 6,00 DM DR	EXP S-1090
0102440484	ATCR 22 X 28 X 6,00 CM	S-1090
0102440253	ATCR 22 X 28 X 6,00 DM	S-1090
0102440074	ATCR 22 X 28 X 7,50 CM	S-1090
0102440075	ATCR 22 X 28 X 7,50 DM	S-1090
0102440293	ATCR 23 X 26 X 6,00 DM	S-1090
0102440451	ATCR 23 X 26 X 6,00 DM C/P	S-1090
0102440013	ATCR 24 X 24 X 6,00 CM	S-1090
0102440113	ATCR 24 X 24 X 6,00 CM MT	S-1090
0102440043C	ATCR 24 X 24 X 6,00 DM	EXP S-1090
0102440043	ATCR 24 X 24 X 6,00 DM	S-1090
0102440412	ATCR 24 X 24 X 6,00 DM C/P	S-1090
0102440367	ATCR 24 X 24 X 6,00DM	PN11L15 S1090
0102440014	ATCR 24 X 26 X 6,00 CM	S-1090
0102440114	ATCR 24 X 26 X 6,00 CM MT	S-1090
0102440044	ATCR 24 X 26 X 6,00 DM	S-1090
0102440044C	ATCR 24 X 26 X 6,00 DM	EXP S-1090
0102440242	ATCR 24 X 26 X 6,00 DM C/P	DR AUST
0102440478C	ATCR 24 X 26 X 6,00 DM DR	PN11L15 C/PROT EXP S1090

ATTENTION: IMPORTANT

Marchesan S.A. reserves the right to improve and/or modify the technical features of its products, without obligation to do the same with those products already sold and without prior knowledge of the dealer or the consumer. The photos are only illustrative.



PRODUCTS

0102440478	ATCR 24 X 26 X 6,00 DM DR PN11L15 C/PROT S-1090
0102440299	ATCR 24 X 26 X 6,00 DM KE S-1090
0102440340	ATCR 24 X 26 X 6,00 DM MT C/P S1090
0102440322	ATCR 24 X 26 X 6,00 DM TERR S-1090
0102440085	ATCR 24 X 26 X 7,50 DM S-1090
0102440015	ATCR 24 X 28 X 6,00 CM S-1090
0102440045	ATCR 24 X 28 X 6,00 DM S-1090
0102440214	ATCR 24 X 28 X 7,50 CM S-1090
0102440215	ATCR 24 X 28 X 7,50 DM S-1090
0102440481	ATCR 24 X 28 X 7,50 DM DL S-1090
0102440260	ATCR 24 X 28X7,50 DM C/P AUST S1090
0102440294	ATCR 25 X 26 X 6,00 DM S-1090
0102440381	ATCR 25 X 26 X 6,00 DM C/P S-1090
0102440265	ATCR 26 X 26 X 6,00 DM S-1090
0102440424	ATCR 26 X 28 X 6,00 DM S-1090
0102440460	ATCR 26 X 28 X 6,00 DM S-1090
0102440500	ATCR 26 X 28 X 7,50 DM S-1090
0102440016	ATCR 28 X 24 X 6,00 CM S-1090
0102440393	ATCR 28 X 24 X 6,00 CM DL S-1090
0102440115	ATCR 28 X 24 X 6,00 CM MT S-1090
0102440046	ATCR 28 X 24 X 6,00 DM S-1090
0102440493	ATCR 28 X 24 X 6,00 DM MT S-1090
0102440493C	ATCR 28 X 24 X 6,00 DM MT EXP S-1090
0102440368C	ATCR 28 X 24 X 6,00 DR DM PN 11L15 EXP S-1090
0102440368	ATCR 28 X 24 X 6,00DM PN11L15 S1090
0102440017	ATCR 28 X 26 X 6,00 CM S-1090
0102440116	ATCR 28 X 26 X 6,00 CM MT S-1090
0102440047	ATCR 28 X 26 X 6,00 DM S-1090
0102440047C	ATCR 28 X 26 X 6,00 DM EXP S-1090
0102440298	ATCR 28 X 26 X 6,00 DM C/P ZA
0102440339	ATCR 28 X 26 X 6,00 DM C/P S-1090

ATTENTION: IMPORTANT

Marchesan S.A. reserves the right to improve and/or modify the technical features of its products, without obligation to do the same with those products already sold and without prior knowledge of the dealer or the consumer. The photos are only illustrative.



PRODUCTS

0102440241	ATCR 28 X 26 X 6,00 DM DL S/PNEU
0102440323	ATCR 28 X 26 X 6,00 DM TERR S-1090
0102440408	ATCR 28 X 26 X 6,00DM S/DC/PN S1090
0102440206	ATCR 28 X 26 X 7,50 DM TERR
0102440330	ATCR 28 X 26 X 7,50 DM MT 6EI S1090
0102440018	ATCR 28 X 28 X 6,00 CM S-1090
0102440048	ATCR 28 X 28 X 6,00 DM S-1090
0102440486	ATCR 28 X 28 X 6,00 DM DL S-1090
0102440216	ATCR 28 X 28 X 7,50 CM S-1090
0102440068	ATCR 28 X 28 X 7,50 DM S-1090
0102440243	ATCR 28 X 28 X 7,50 DM C/P DR AUST
0102440382	ATCR 29 X 26 X 6,00 DM C/P S-1090
0102440417	ATCR 32 X 24 X 6,00 CM S-1090
0102440421	ATCR 32 X 24 X 6,00 DM S-1090
0102440425	ATCR 32 X 28 X 6,00 DM S-1090
0102440419	ATCR 44 X 24 X 6,00 CM S-1090
0102440420	ATCR 44 X 26 X 6,00 CM S-1090
0102440422	ATCR 44 X 26 X 6,00 DM S-1090
0102440426	ATCR 44 X 28 X 6,00 DM S-1090

ATTENTION: IMPORTANT

Marchesan S.A. reserves the right to improve and/or modify the technical features of its products, without obligation to do the same with those products already sold and without prior knowledge of the dealer or the consumer. The photos are only illustrative.

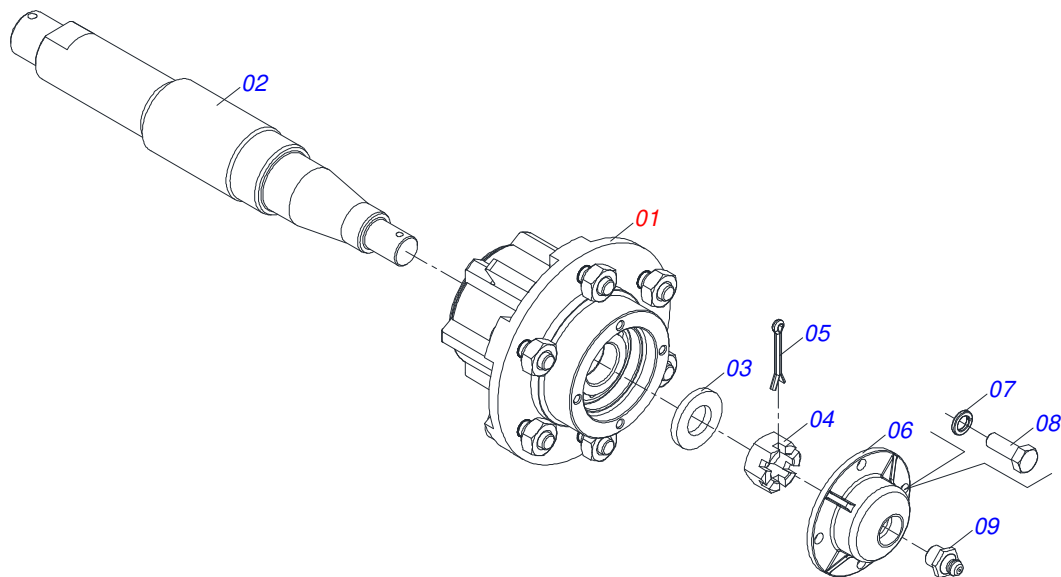


MARCHESAN

INDEX

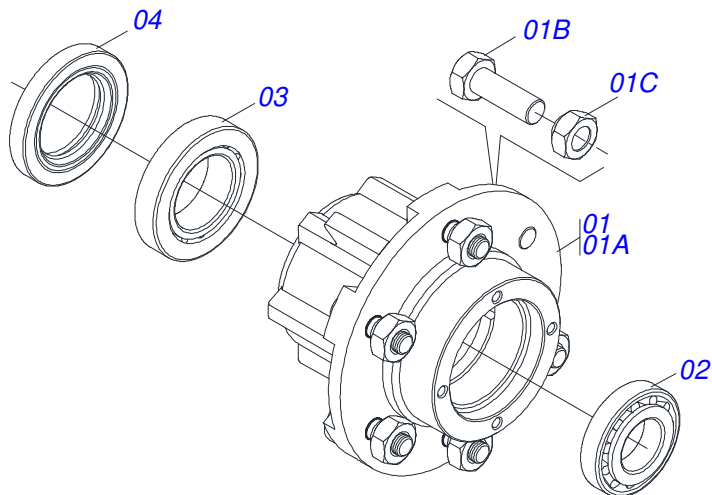
0909090087	ASSY FRAME	1
0501051636	STUB SHAFT & HUB ASSY	2
0501051142	CARRYING WHEEL HUB	3
0501047809	3" X 85"STUB SHAFT & HUB ASSY	4
0501054147	RIGHT SUSPENSION TOWER	5
0501054148	LEFT SUSPENSION TOWER	6
0511058298	HYDRAULIC CYLINDER	7
0511059180	HYDRAULIC CYLINDER	8
0503060094	WHEEL AND TIRE ASSY	9
0503060091	L29.5"X0.63"-10L WHEEL AND	10
0503060102	WHEEL AND TIRE	11
0501040257	3/4 X 1200 HOSE HOLDER A	12
0501041096	DRAWBAR ASSY	13
0521048502	ASSY TRACTION BAR	14
0521057520	HITCH ASSY	15
0511041570	DRAWBAR ASSY 3"	16
0503011360	HOSE KIT	17
0501051043	HOSE ASSY	18
0501053834	MALE QUICK COUPLER	19
0511048088	DRAWBAR JACK	20
0909095612	GANG DISC 12/14/16/18/20/22/23/24/25/26/28/29/32/44D	21
0909095613	GANG DISC 12/14/16/18/20/22/23/24/25/26/28/29/32/44D	22
0501042963	9" X 1-5/8" OIL BATH BEARING	23
0501046914	CM GX 9" 1-5/8" SD PR BEARING ASSY	24

STUB SHAFT & HUB ASSY

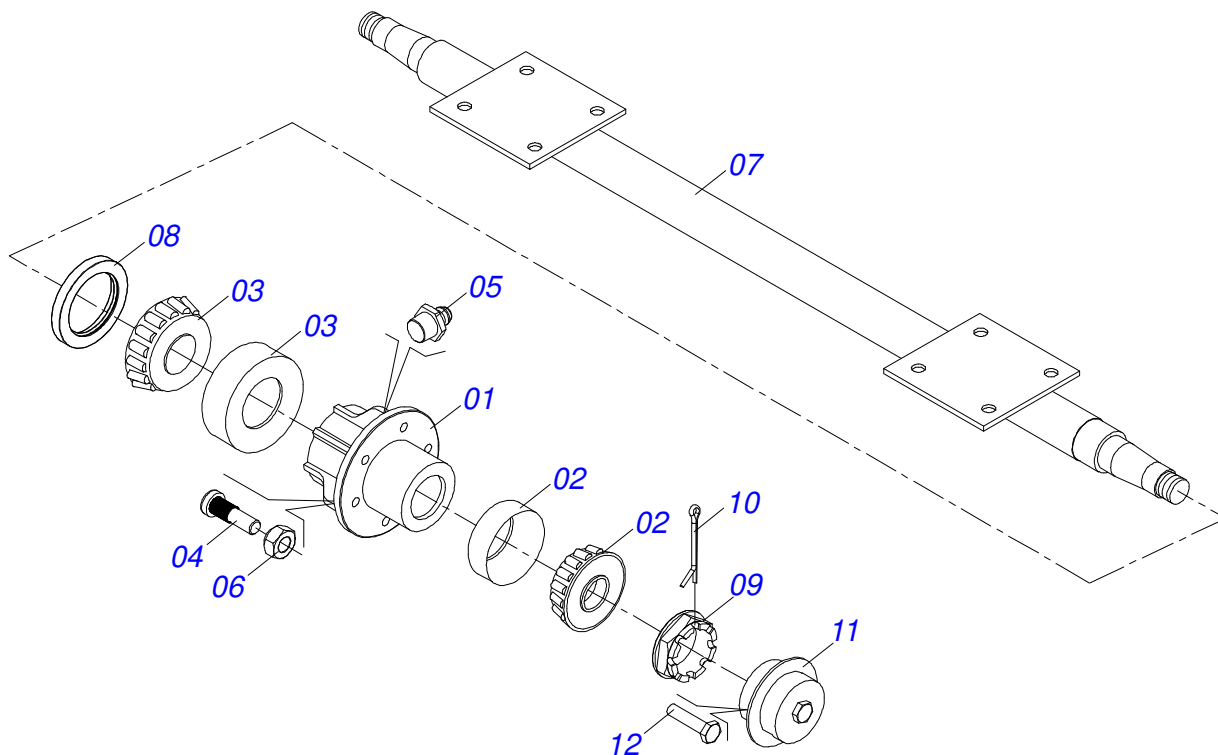


Item	Code	Description	See page	QT
001	0501051142	CARRYING WHEEL HUB	3	01
002	0521010822	AXLE 63,5 X 520		01
003	0501016545	FLAT WASHER		01
004	0503030009	1" CASTLE NUT		01
005	0503010018	5/32 X 1-1/2 COTTERPIN		01
006	0502020591	PROTECCION COVER		01
007	0503011444	SPRING WASHER		04
008	0503010358	5/16" X 5/8" BOLT		04
009	0503010002	1800 GREASE FITTING		01

CARRYING WHEEL HUB

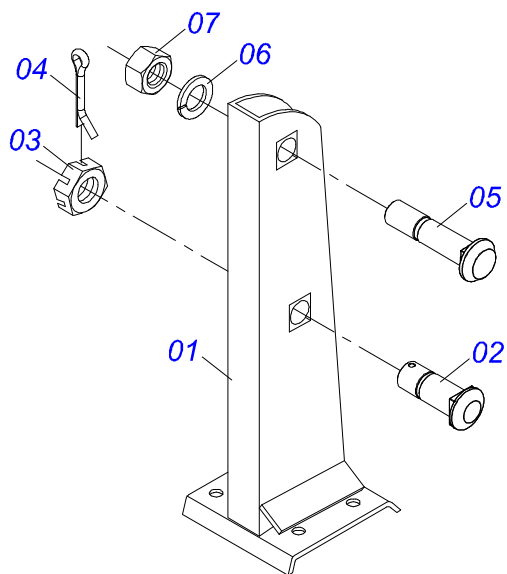


Item	Code	Description	See page	QT
01	0501110728	WHEEL HUB		01
01A	0502011121	CARRYING WHEEL HUB		01
01B	0501010127	9/16" X 1-7/8" LUG BOLT		06
01C	0503010035	9/16" CONIC NUT		06
02	0503010037	30207 ROLLER BEARING		01
03	0503010006	32210 ROLLER BEARING		01
04	0503012928	SEAL		01



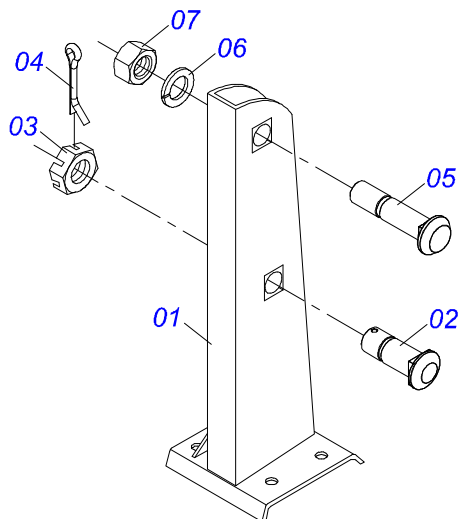
Item	Code	Description	See page	QT
01	0502011389	BOX		02
02	0503010006	32210 ROLLER BEARING		02
03	0503010005	32212 ROLLER BEARING		02
04	0501010186	WHEEL SCREW 5/8UNF X 2.1/8CR		12
05	0503010002	1800 GREASE FITTING		02
06	0503010064	5/8 UNF CONIC NUT		12
07	0501067004	3" X 85" AXLE		01
08	0503011866	SEAL 00573-B WITH HOLE		02
09	0501010888	1.3/4" 2.5/16" CASTLE NUT		02
10	0503010010	1/4" X 2.1/2" COTTERPIN		02
11	0502020593	COVER		02
12	0503010295	SCREW 5/16 UNC X 5/8 CS G.2 ZN		02

RIGHT SUSPENSION TOWER



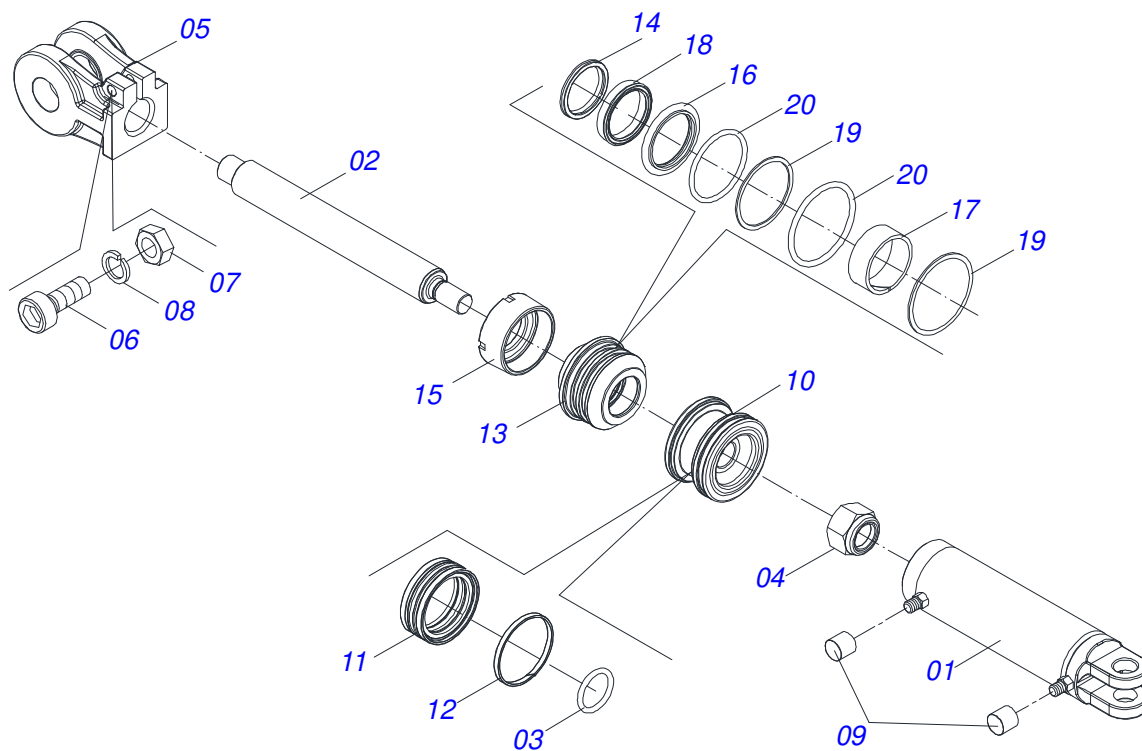
Item	Code	Description	See page	QT
01	0501068260	RIGHT SUSPENSION TOWER		01
02	0511018006	1-1/2 X 4.13" U BOLT OF SUSP TOWER		01
03	0501011301	1.1/2 UNC 6FPP 2.5/16 NUT		01
04	0503010010	1/4" X 2.1/2" COTTERPIN		01
05	0511017974	1 U BOLT OF THE SUSPENSION TOWER		01
06	0503010012	1" SPRING WASHER		01
07	0501010059	1.5/8 NUT		01

LEFT SUSPENSION TOWER



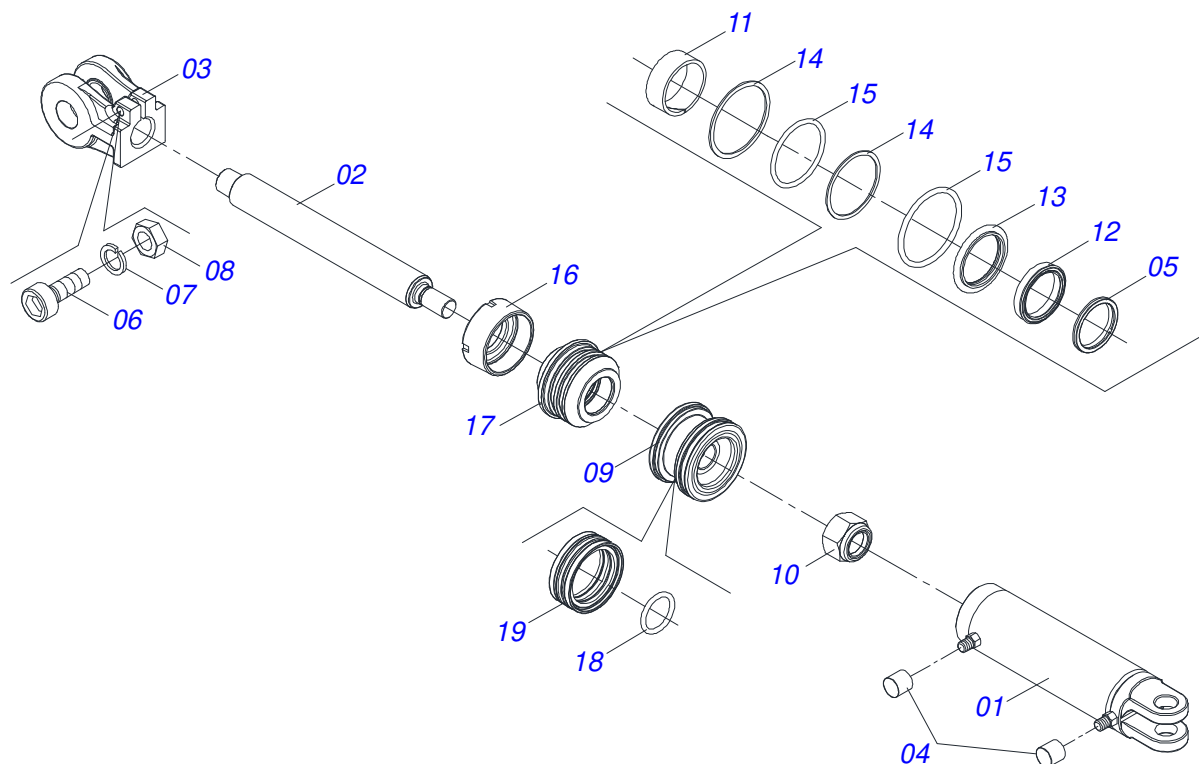
Item	Code	Description	See page	QT
01	0501068261	LEFT SUSPENSION TOWER		01
02	0511018006	1-1/2 X 4.13" U BOLT OF SUSP TOWER		01
03	0501011301	1.1/2 UNC 6FPP 2.5/16 NUT		01
04	0503010010	1/4" X 2.1/2" COTTERPIN		01
05	0511017974	1 U BOLT OF THE SUSPENSION TOWER		01
06	0503010012	1" SPRING WASHER		01
07	0501010059	1.5/8 NUT		01

HYDRAULIC CYLINDER

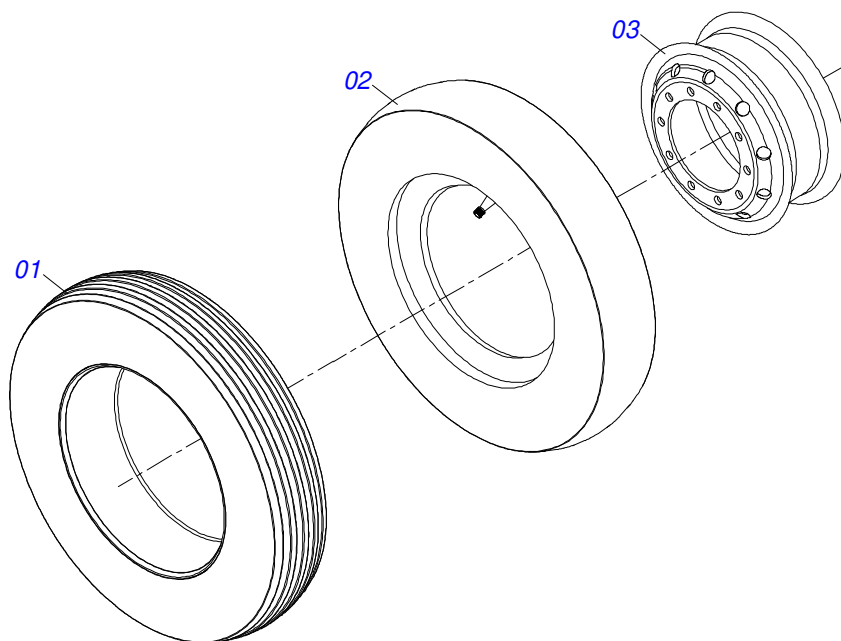


Item	Code	Description	See page	QT
01	0511061588	3.4" X 16" CYLINDER CASE	01	01
02	0521010421	HYDRAULIC CYLINDER TURNBUCKLE	01	01
03	0503010042	2-214 N 3006-9B O'RING	01	01
04	0503010063	1" SELF-ALIGNING NUT	01	01
05	0502040747	32.54 CLEVIS CLAMP	01	01
06	0503011094	3/8" X 2" BOLT	01	01
07	0503010026	3/8" NUT	01	01
08	0503010025	3/8" SPRING WASHER	01	01
09	0503030385	CYLINDER PLUG N-002	02	02
10	0571019710	1.7" X 3.4" PISTON	01	01
11	0503017935	RING	01	01
12	0503018144	RING	01	01
13	0571019711	RING SUPPORT	01	01
14	0503010761	D-1750 SCRAPER RING	01	01
15	0571019709	DETACHABLE COVER	01	01
16	0503017936	RING	01	01
17	0503017938	RING GUIDE	01	01
18	0503017937	GASKET	01	01
19	0503017940	8-337 BACK-UP RING	02	02
20	0503017939	2-337 N 3006-9B O' RING	02	02

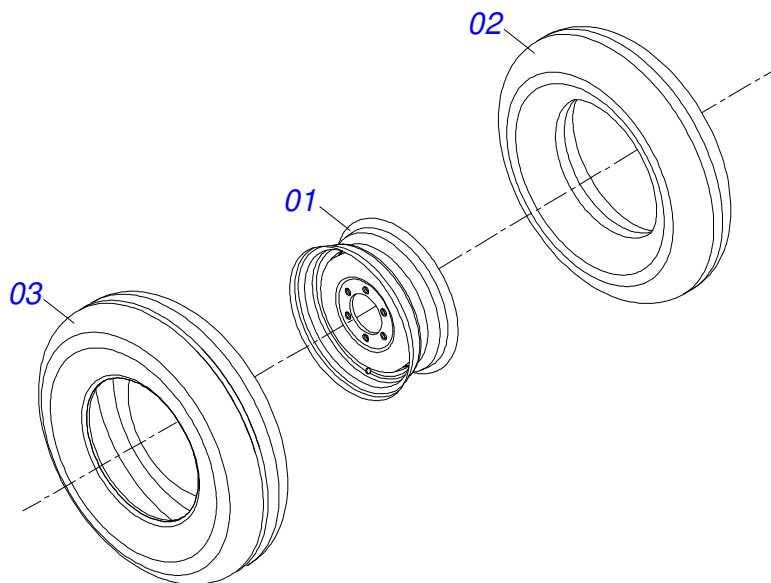
HYDRAULIC CYLINDER



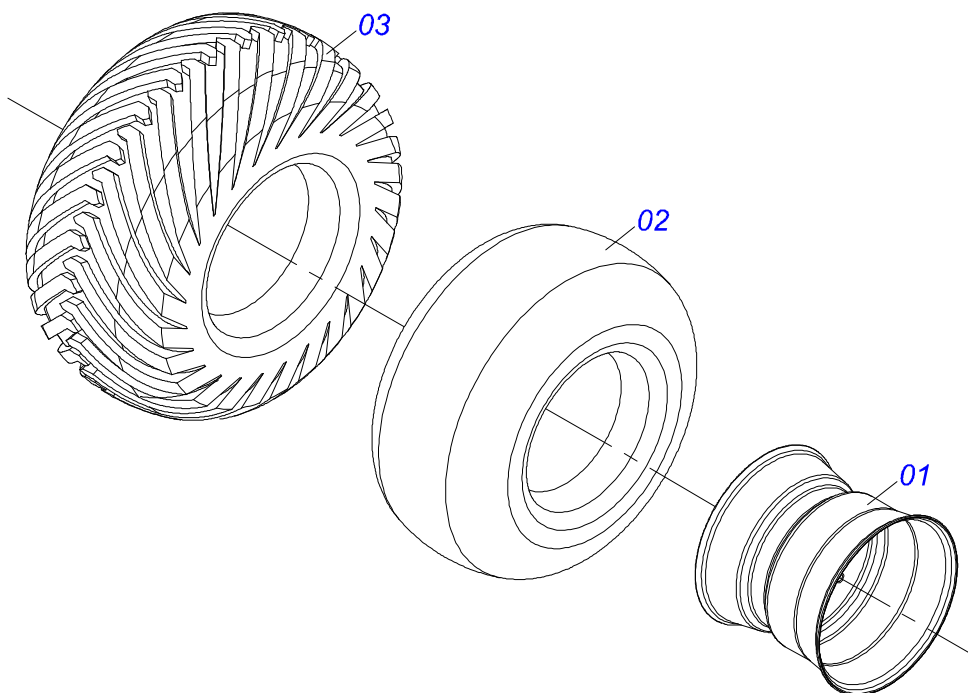
Item	Code	Description	See page	QT
01	0511070658	CYLINDER CASE	01	01
02	0571019958	HYDRAULIC CYLINDER TURNBUCKLE	01	01
03	0502040747	32.54 CLEVIS CLAMP	01	01
04	0503030385	CYLINDER PLUG N-002	02	02
05	0503010039	D-2000 SCRAPER RING	01	01
06	0503011094	3/8" X 2" BOLT	01	01
07	0503011443	3/8" SPRING WASHER	01	01
08	0503010026	3/8" NUT	01	01
09	0502012820	50.80 X 101.60 PISTON	01	01
10	0503010817	1.1/4" SELF LOCKING NUT	01	01
11	0503018025	RING GUIDE	01	01
12	0503018026	1870-2000-375 B GASKET	01	01
13	0503018024	RING BS	01	01
14	0503010338	2-342 N 3006-9B O-RING	02	02
15	0503011061	8-342 BACK-UP RING	02	02
16	0502012822	101.60 END CAP	01	01
17	0502012821	50.80 X 101.60 RING SUPPORT	01	01
18	0503018029	2-217 O-RING	01	01
19	0503015633	SELEMASTER SEALING	01	01



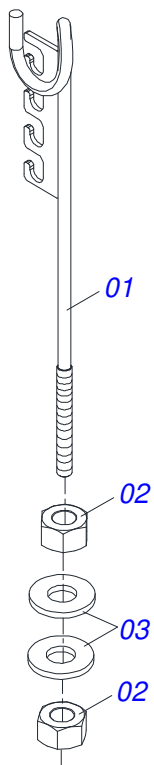
Item	Code	Description	See page	QT
01	0503010065	CANVAS TIRE		01
02	0503010068	6.00 X 16 INNER TIRE		01
03	0503010894	0.2"X0.6"X4.6"X6F0.6"X6" WHEEL		01



Item	Code	Description	See page	QT
01	0503010893	WHEEL		01
02	0503010033	7.50 X 16 INNER TIRE		01
03	0503010120	CANVAS TIRE		01

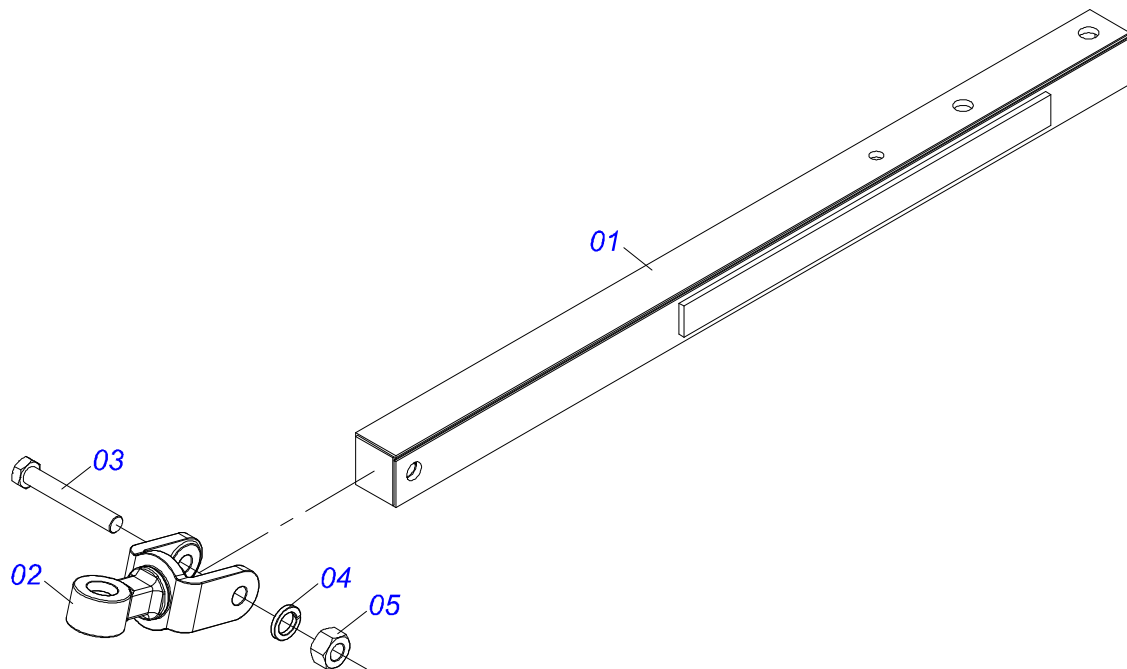


Item	Code	Description	See page	QT
01	0501069483	WHEEL		01
02	0503012112	400/60 - 15.5 TR 15 INNER TIRE		01
03	0503013119	CANVAS TIRE		01

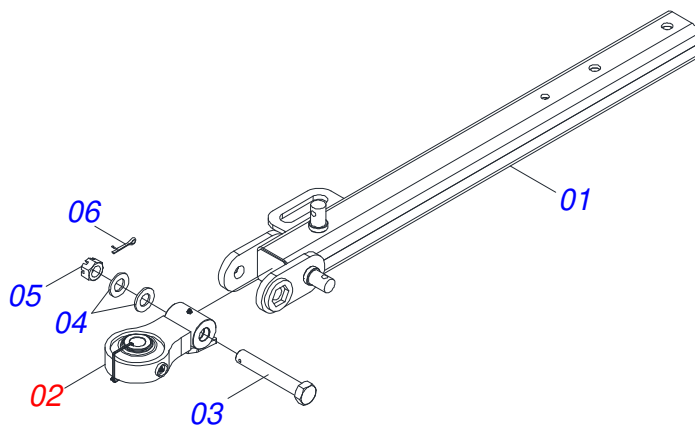


Item	Code	Description	See page	QT
01	0511067334	HOSE SOPPORT ASSY		01
02	0503010014	3/4" NUT		02
03	0501010322	FLAT WASHER		02

DRAWBAR ASSY

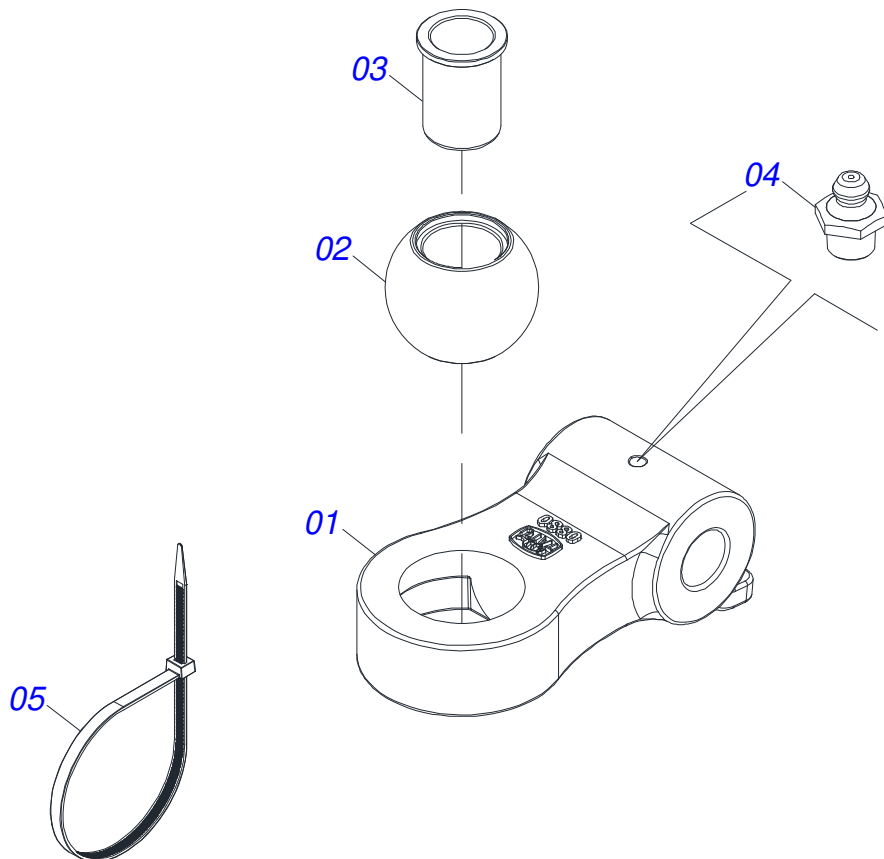


Item	Code	Description	See page	QT
01	0501060188	DRAWBAR ASSY		01
02	0521061775	TRACTOR HITCH		01
03	0501010060	1" X 6-1/2" BOLT		01
04	0503011438	SPRING WASHER		01
05	0501010059	1.5/8 NUT		01



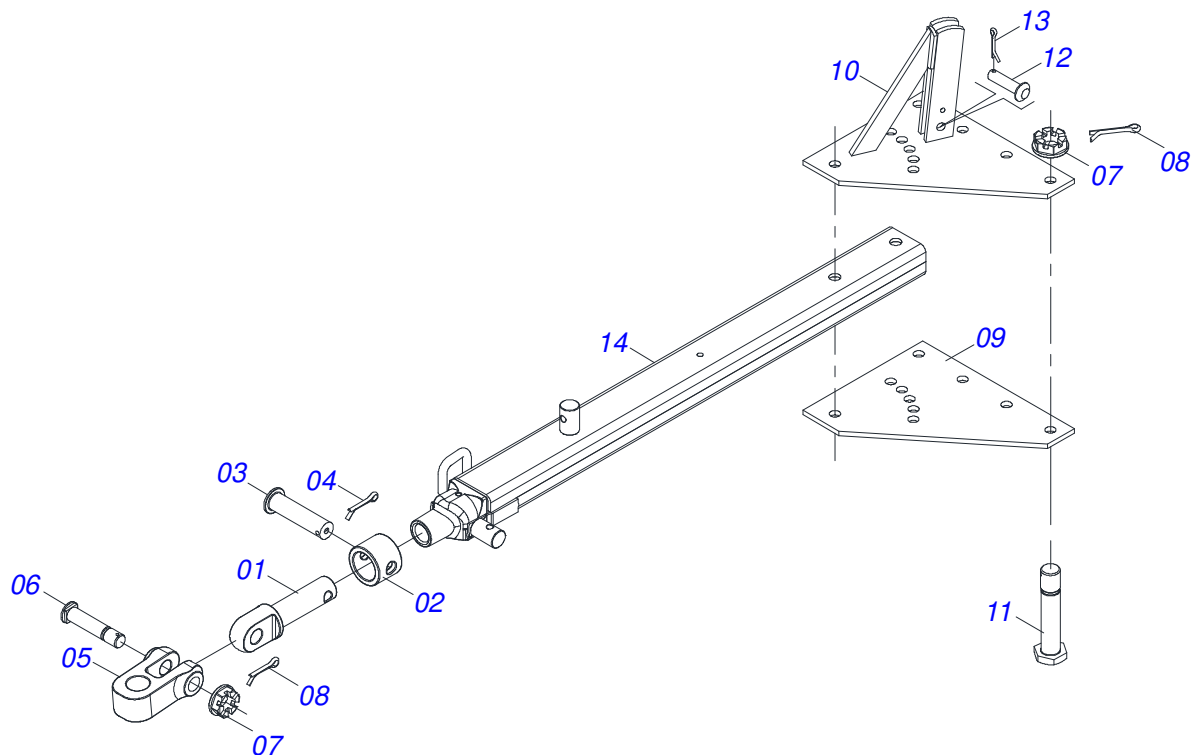
Item	Code	Description	See page	QT
01	0521069165	DRAWBAR ASSY		01
02	0521057520	HITCH ASSY	15	01
03	0581015973	1.1/4 UNC X 8 C S G5 SCREW		01
04	0501017779	32 X 60 X 4.75 FLAT WASHER		02
05	0503013026	1.1/4" CASTLE NUT		01
06	0503010010	1/4" X 2.1/2" COTTERPIN		01

HITCH ASSY

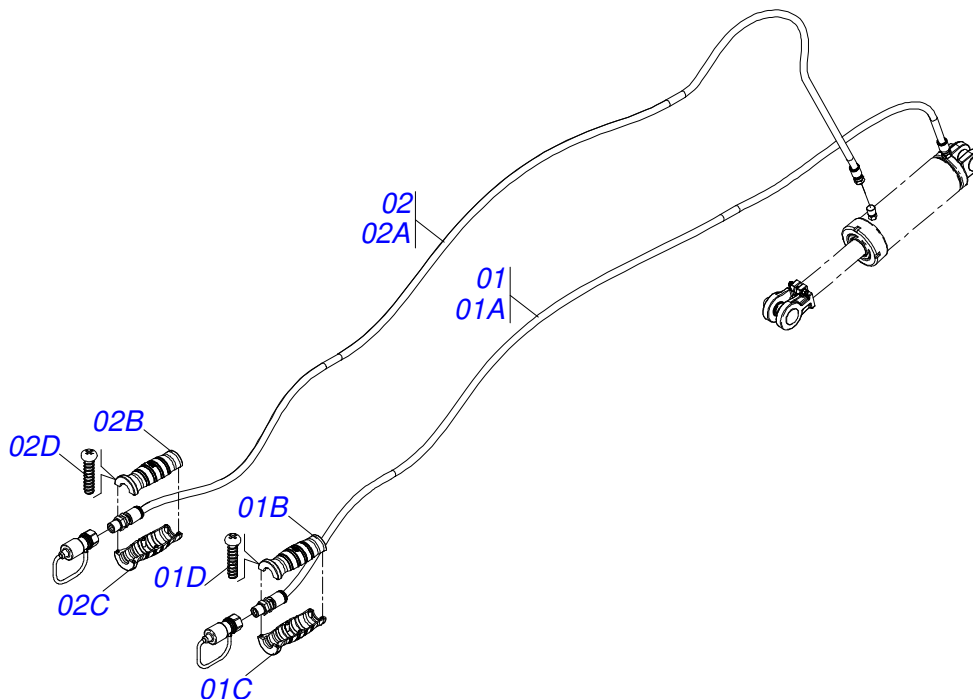


Item	Code	Description	See page	QT
01	0502040880	HITCH BODY		01
02	0502040885	BODY ATTACHMENT		01
03	0591012511	SLEEVE		01
04	0503010002	1800 GREASE FITTING		01
05	0503018829	NYLON CLAMP		01

DRAWBAR ASSY 3"

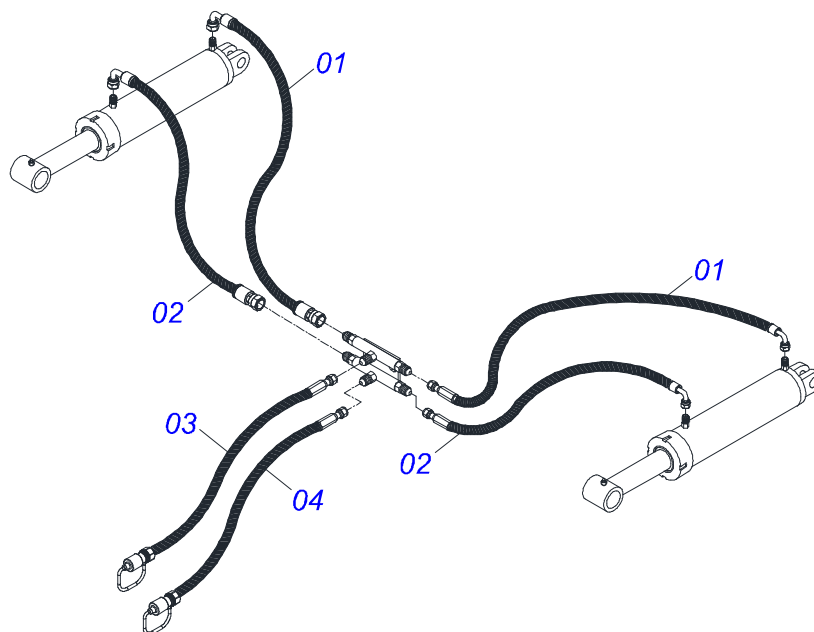


Item	Code	Description	See page	QT
01	0502040223	DRAWBOLT		01
02	0502040327	ANEL TRAVA ENGATE		01
03	0511014902	COUPLING SHAFT		01
04	0503010571	1/4" X 1.1/2 COTTERPIN		01
05	1902040733	U COUPLING HOOK		01
06	0521012545	COUPLING SHAFT		01
07	0501011301	1.1/2 UNC 6FPP 2.5/16 NUT		07
08	0503010010	1/4" X 2.1/2" COTTERPIN		07
09	0511016137	UPPER /LOWER PLATE		01
10	0501067250	UPPER PLATE WITH SUPPORT		01
11	0501016419	1-1/2" X 7.5" BOLT		06
12	0521010779	31.75 X 95 COUPLING SHAFT		01
13	0503010523	1/4" X 2" COTTERPIN		01
14	0501069323	DRAWBAR ASSY		01



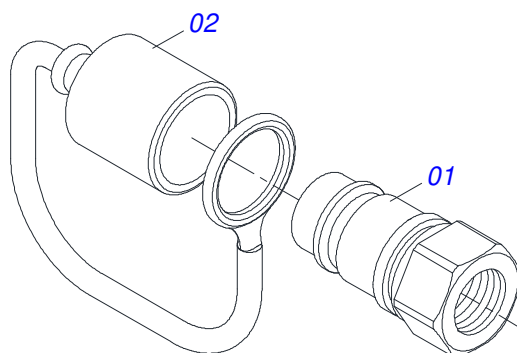
Item	Code	Description	See page	QT
01	0521056233	3/8 X 6000 TR-TM HOSE BLACK / RED		01
01A	0501080443	3/8 X 6000 TR-TM HOSE		01
01B	0503034495	HYDRAULIC HOSE GRIP (RED)		01
01C	0503034492	HYDRAULIC HOSE GRIP (BLACK)		01
01D	0503018952	PLASTIC BOLT		06
02	0521055893	3/8 X 5850 TR-TM HOSE BLACK / BLUE		01
02A	0501080421	3/8" X 230" TR-TM HOSE ASS		01
02B	0503034492	HYDRAULIC HOSE GRIP (BLACK)		01
02C	0503034494	HYDRAULIC HOSE GRIP (BLUE)		01
02D	0503018952	PLASTIC BOLT		06

HOSE ASSY



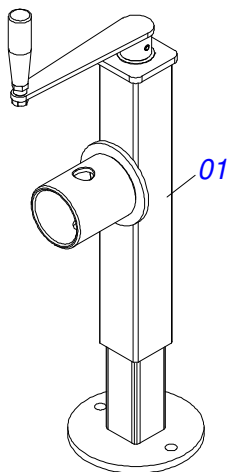
Item	Code	Description	See page	QT
01	0501080054	3/8" X 17" TR-TC HOSE ASSY		02
02	0501080413	3/8" X 27" TR-TC HOSE		02
03	0501080458	3/8" X 315" TC-TM HOSE ASSY		01
04	0501080459	3/8" X 322" TC-TM HOSE ASSY		01

MALE QUICK COUPLER

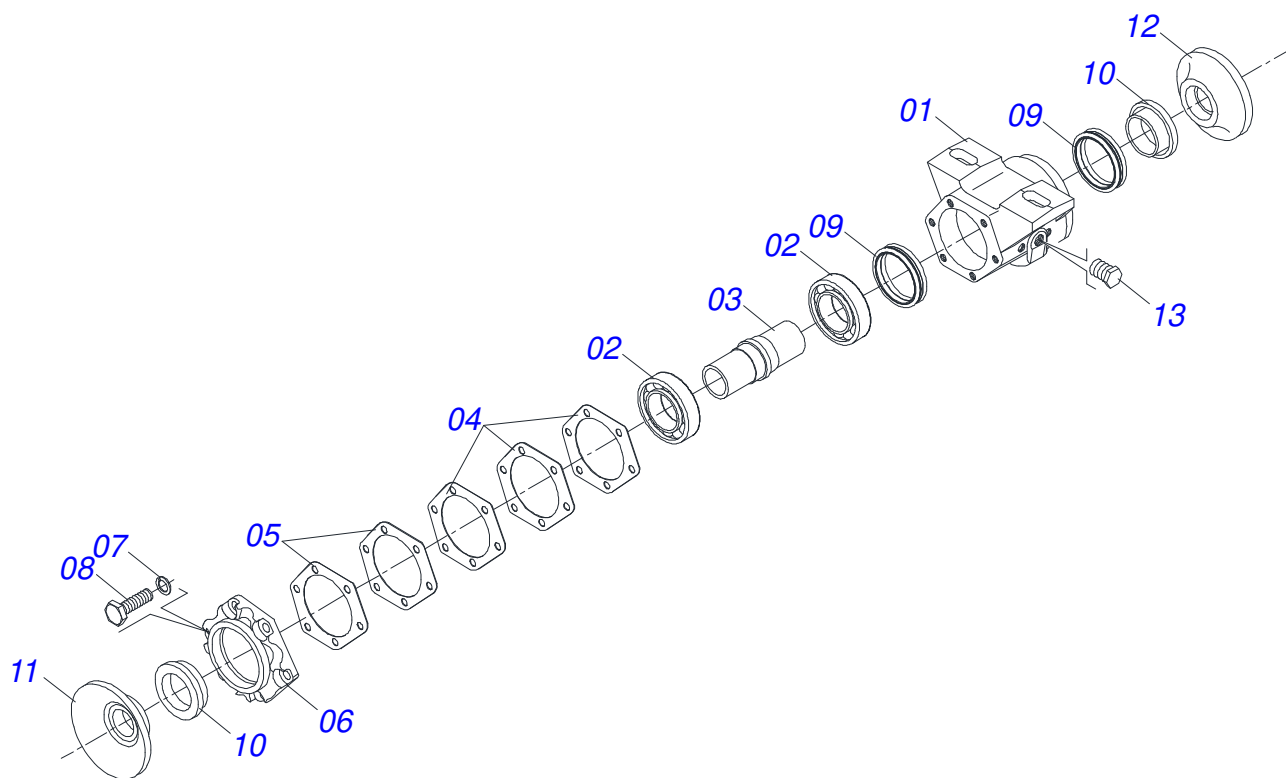


Item	Code	Description	See page	QT
01	0503011627	MALE QUICK COUPLER AGR 1/2 NPT		01
02	0503011882	MALE QUICK COUPLER CAP		01

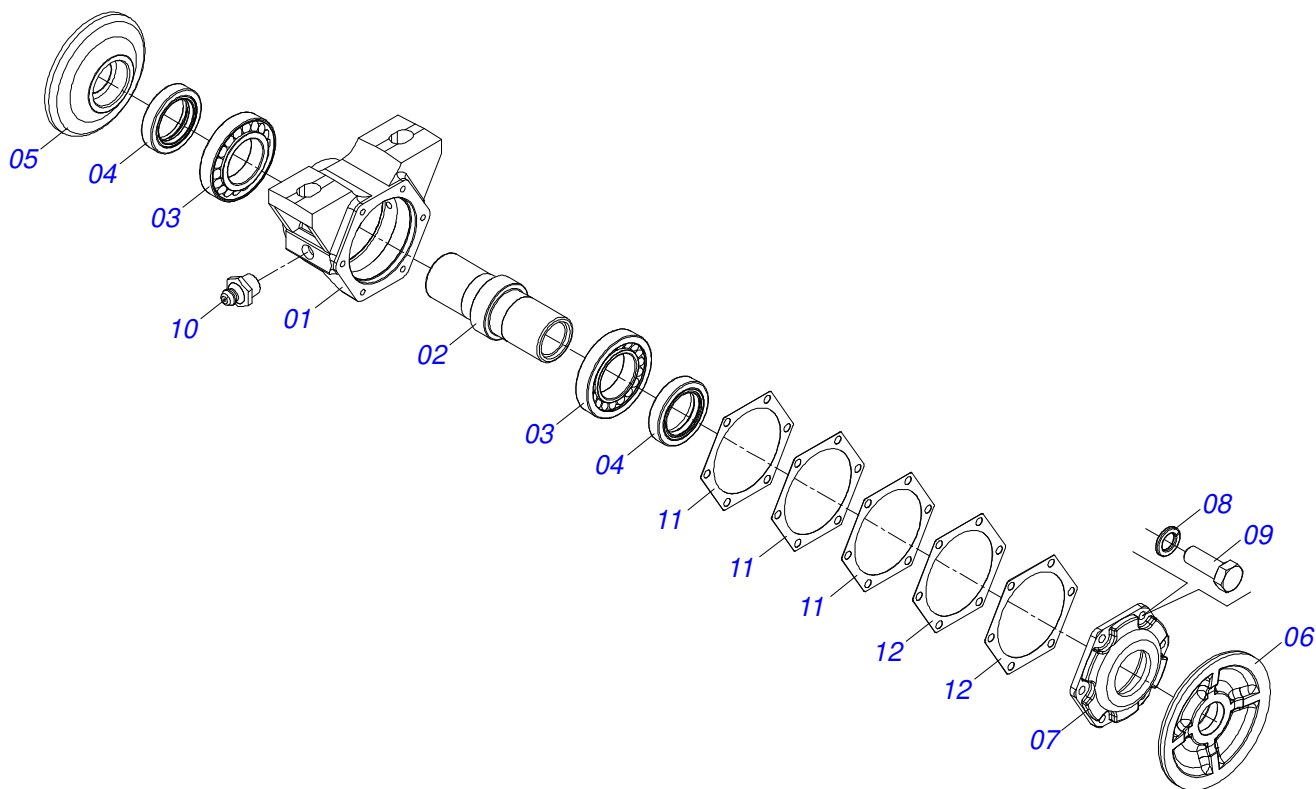
DRAWBAR JACK



Item	Code	Description	See page	QT
01	0503062227	DRAWBAR JACK		01



Item	Code	Description	See page	QT
001	0502020446	HOUSING DM		01
002	0503010113	30212 ROLLER BEARING		02
003	0502010639	AXLE FOR CM/DM		01
004	0503031972	137 X 113,2 X 0,3 JOINT		03
005	0503031973	137 X 113,2 X 0,1 JOINT		02
006	0502012445	BEARING COVER BOX (BOX SLIGHTLY)		01
007	0503011443	3/8" SPRING WASHER		06
008	0503010237	3/8" X 1" BOLT		06
009	0503030027	DUO-CONE SEAL		02
010	0502010633	SEAL RETAINER		02
011	0502040239	OUTER FLANGE		01
012	0502040240	INNER FLANGE		01
013	0503010856	OIL PLUG		01



Item	Code	Description	See page	QT
01	0502020448	HOUSING CM		01
02	0502010639	AXLE FOR CM/DM		01
03	0503010113	30212 ROLLER BEARING		02
04	0503010327	SEAL 00556-GB		02
05	0502040240	INNER FLANGE		01
06	0502040239	OUTER FLANGE		01
07	0502020457	HOUSING CAP CM		01
08	0503011443	3/8" SPRING WASHER		06
09	0503010237	3/8" X 1" BOLT		06
10	0503010002	1800 GREASE FITTING		02
11	0503031972	137 X 113,2 X 0,3 JOINT		03
12	0503031973	137 X 113,2 X 0,1 JOINT		02



MARCHESAN

Technical Publications | Elaboration and Revision

JOSÉ DOMINGOS GASPARI

www.marchesan.com.br

