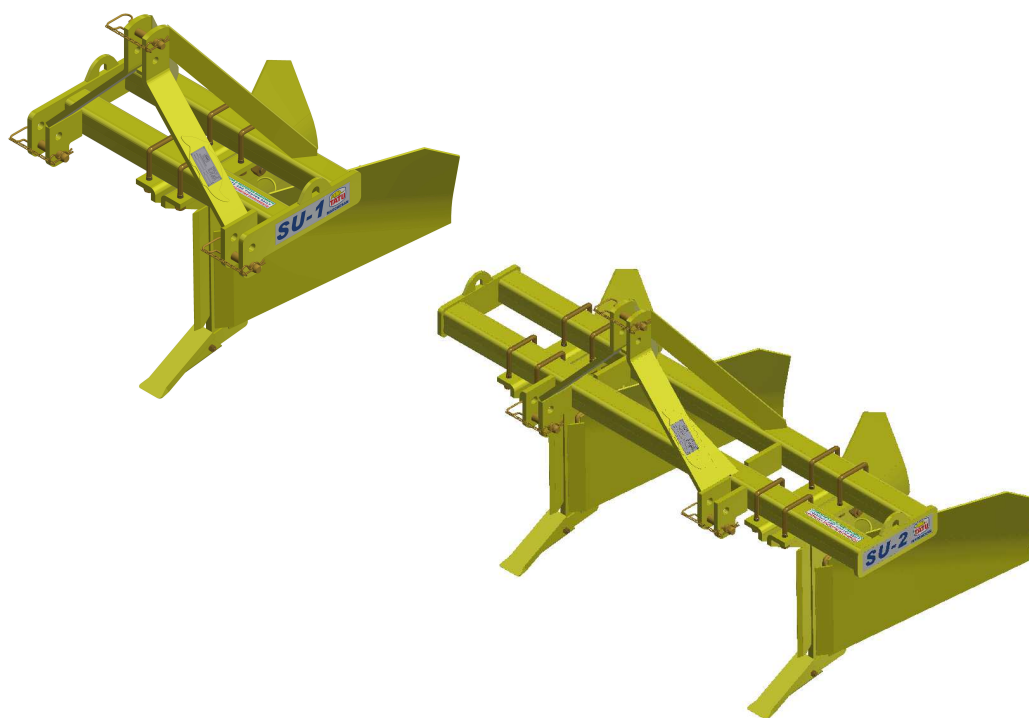


PARTS CATALOG

IMPLEMENTS FOR SUGAR CANE

SU1 / SU2

Code: 0501092534



Series: S-1218

Rev.: 00

Date Rev.: JUNHO/2019

ORIGINAL PARTS
TATU



PRODUCTS

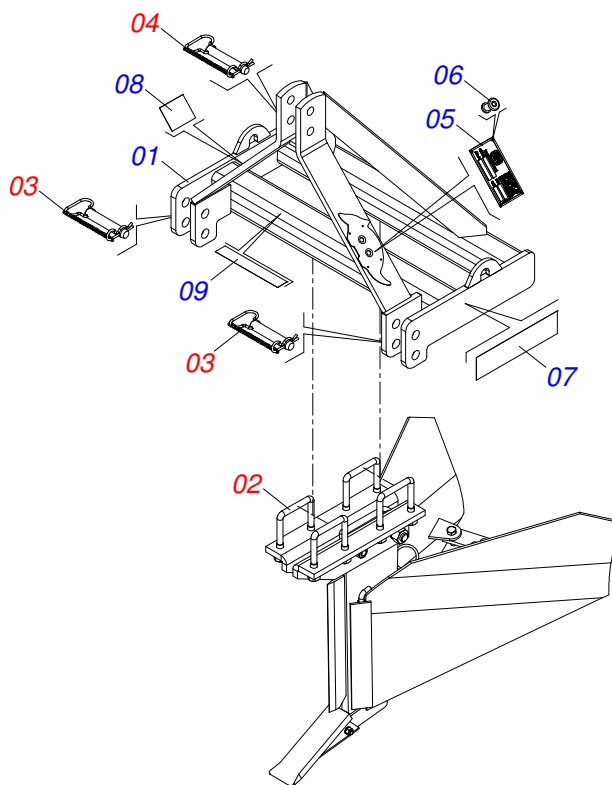
Code	Description	
0110010036	SU 1	S-1218
0110010036C	SU 1	EXP S-1218
0110010038	SU 2	S-1218
0110010038C	SU 2	EXP S-1218

ATTENTION: **IMPORTANT**

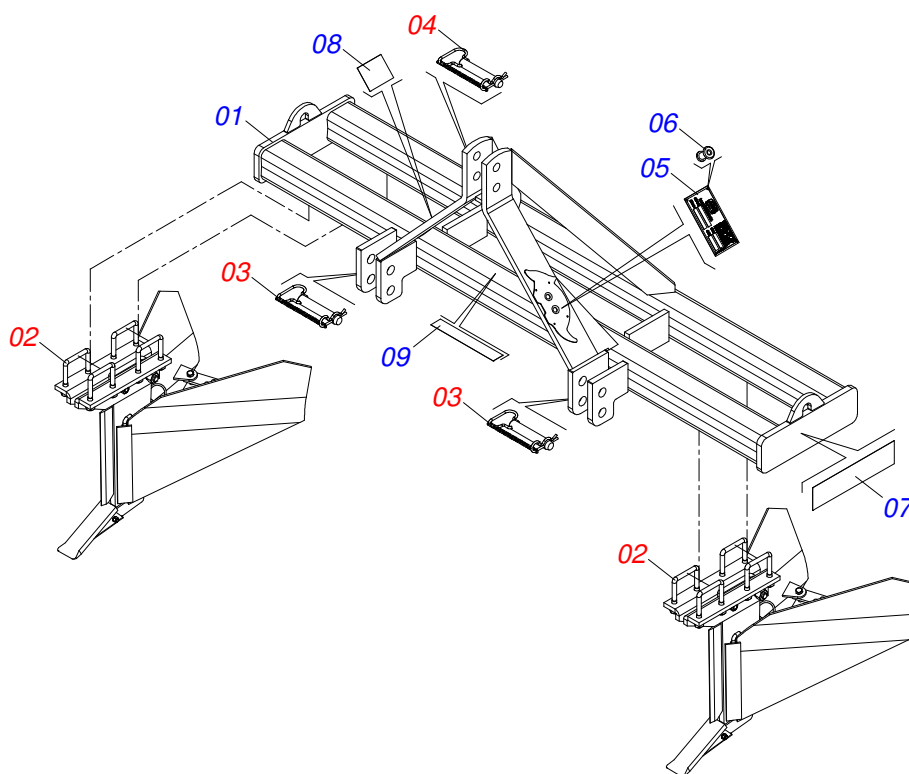
MARCHESAN S/A RESERVES THE RIGHT AT ANY TIME TO MAKE IMPROVEMENTS IN THE DESIGN, MATERIAL OR SPECIFICATIONS OF MACHINERY, EQUIPMENT OR PARTS WITHOUT THEREBY BECOMING LIABLE TO MAKE SIMILAR CHANGES IN MACHINERY, EQUIPMENT OR PARTS PREVIOUSLY SOLD.

INDEX

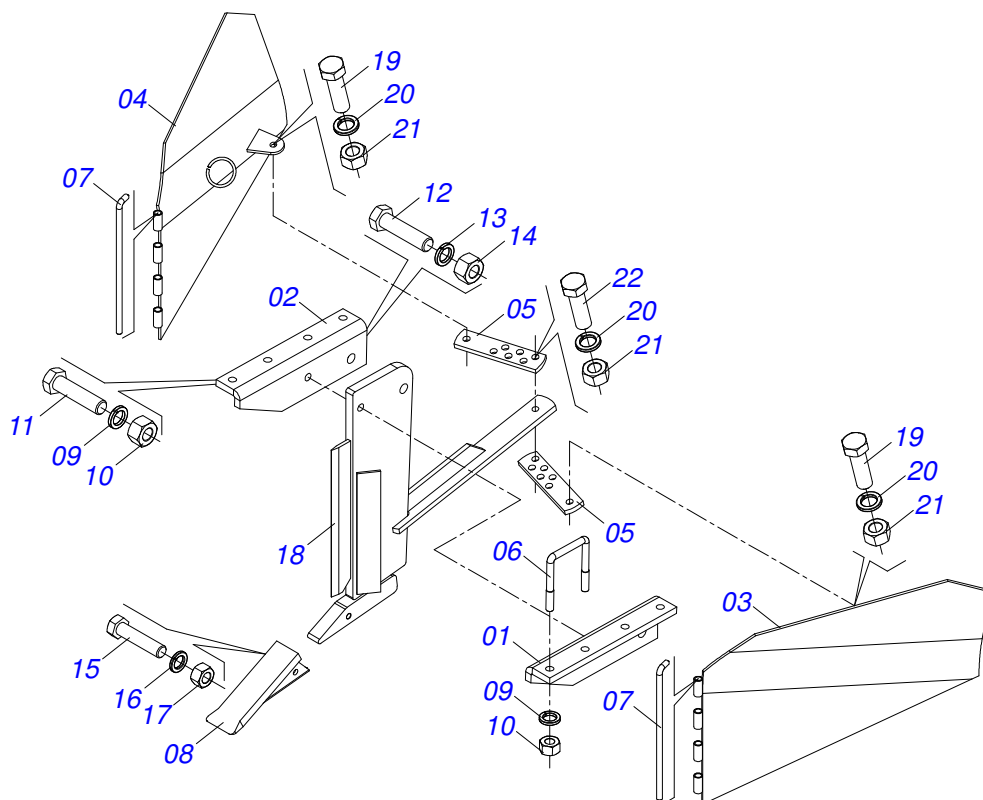
0521048845	FRAME ASSY - SU1	1
0521048842	FRAME ASSY - SU2	2
0501047816	ASSY ARM	3
0521054328	AXIS 27,80 X EC 130 ASSY	4
0521054135	AXIS 25 X EC 130 ASSY	5
0909095305	STICKER ASSY - SU1 / SU2	6



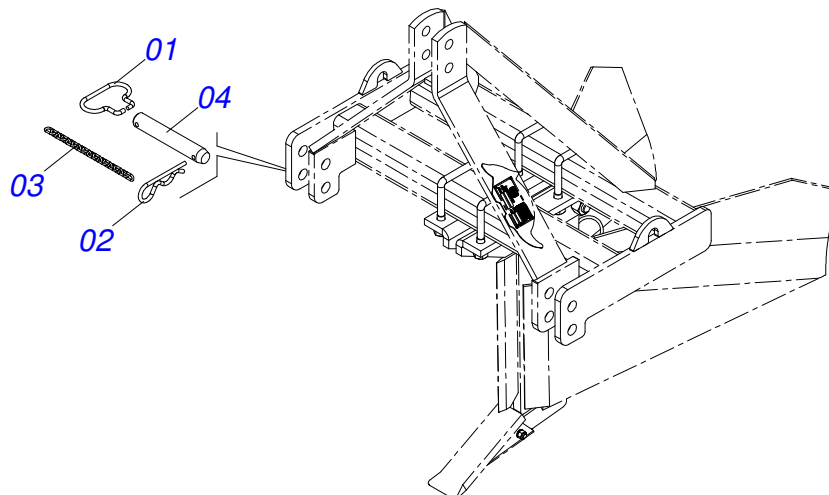
Item	Code	Description	See page	QT
01	0521069486	FRAME - SU1		01
02	0501047816	ASSY ARM	3	01
03	0521054328	AXIS 27,80 X EC 130 ASSY	4	02
04	0521054135	AXIS 25 X EC 130 ASSY	5	01
05	0503030310	ADHESIVE		01
06	0503010001	RIVET POP		04
07	0503061034	ADHESIVE STICKER ASSY		02
08	0503031087	ADHESIVE LABEL		01
09	0503031827	ADHESIVE LABEL		01



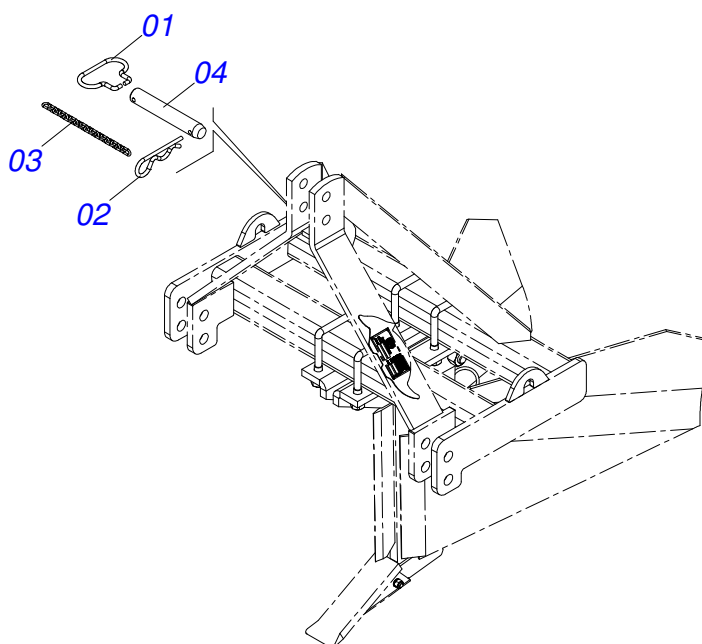
Item	Code	Description	See page	QT
01	0521069488	FRAME - SU2		01
02	0501047816	ASSY ARM	3	02
03	0521054328	AXIS 27,80 X EC 130 ASSY	4	02
04	0521054135	AXIS 25 X EC 130 ASSY	5	01
05	0503030310	ADHESIVE		01
06	0503010001	RIVET POP		04
07	0503061036	ADHESIVE STICKER ASSY SU2 SILVER		02
08	0503031087	ADHESIVE LABEL		01
09	0503031827	ADHESIVE LABEL		01



Item	Code	Description	See page	QT
01	0581011075	LEFT SUPPORT		01
02	0581011074	RIGHT SUPPORT		01
03	0501061134	LEFT FRAME		01
04	0501061136	RIGHT FRAME		01
05	0551011198	ADJUSTMENT BAR		02
06	0521010659	3/4 UNC X 148 X 125 FASTENER		04
07	0501010733	ROD		02
08	0501061120	SUBSOILER TIP		01
09	0503010023	SPRING WASHER		09
10	0503010014	3/4" NUT		09
11	0501010195	3/4" X 3-1/2" BOLT		01
12	0503011432	1" X 4" BOLT		01
13	0503010012	1" SPRING WASHER		01
14	0501010059	1.5/8 NUT		01
15	0503010479	1/2" X 3" BOLT		01
16	0503010019	1/2" SPRING WASHER		01
17	0503010060	1/2" NUT		01
18	0501061132	STEM		01
19	0501010100	5/8 UNC X 2 C S G.5 BOLT		02
20	0503010027	SPRING WASHER		03
21	0503010013	5/8" NUT		03
22	0503010233	5/8" X 2-1/2" BOLT		01



Item	Code	Description	See page	QT
01	0503034755	HANDLE PIN HITCH		01
02	0503031035	HAIR PIN		01
03	0503034756	CHAIN 3,00 X 16		01
04	0581018636	AXIS 27,80 X 155 X EC 130 FR 7,14		01



Item	Code	Description	See page	QT
01	0503034755	HANDLE PIN HITCH		01
02	0503031035	HAIR PIN		01
03	0503034756	CHAIN 3,00 X 16		01
04	0581018637	AXIS 25 X 155 X EC 130 FR 7,14		01



Item	Code	Description	See page	QT
01	0503061034	ADHESIVE STICKER ASSY		02
02	0503061036	ADHESIVE STICKER ASSY SU2 SILVER		02
03	0503031087	ADHESIVE LABEL		01
04	0503031827	ADHESIVE LABEL		01



MARCHESAN IMPLEMENTOS E MÁQUINAS AGRÍCOLAS TATU S.A.

AV. Marchesan, 1979 - Post office box, 131 - CEP 15994-900 - Matão - SP - Brazil

Phone +55 16.3382-8282

(FAX Parts) + 55 16.3382. 8297 - (Export) + 55 16.3382.1003

e.mail: tatu@marchesan.com.br www.marchesan.com.br

Technical Publications: Elaboration

ALESSANDRA PATRICIA KAWAHARA CARRILI

Contact Catálogo:

E-mail = jgaspari@marchesan.com.br

Technical Publications: Revision

ALESSANDRA PATRICIA KAWAHARA CARRILI

**ORIGINAL PARTS
TATU**

