

**OFFSET DISK HARROW**

**GASPCR - 10D**

**Code:** 0501092533  
**Series:** S-0493  
**Revision:** 00  
**Date Revision:** JUNHO/2019

# PARTS CATALOGUE



**MARCHESAN**



# PRODUCTS

Code	Description
0102090001	GASPCR 10 X 32 X 9,00 CM S-0493
0102090037	GASPCR 10 X 32 X 9,00 DM S-0493
0102090002	GASPCR 10 X 32 X 12,00 CM S-0493
0102090038	GASPCR 10 X 32 X 12,00 DM S-0493
0102090003	GASPCR 10 X 34 X 9,00 CM S-0493
0102090039	GASPCR 10 X 34 X 9,00 DM S-0493
0102090004	GASPCR 10 X 34 X 12,00 CM S-0493
0102090040	GASPCR 10 X 34 X 12,00 DM S-0493
0102090005	GASPCR 10 X 36 X 9,00 CM S-0493
0102090041	GASPCR 10 X 36 X 9,00 DM S-0493
0102090006	GASPCR 10 X 36 X 12,00 CM S-0493
0102090042	GASPCR 10 X 36 X 12,00 DM S-0493

## ATTENTION: IMPORTANT

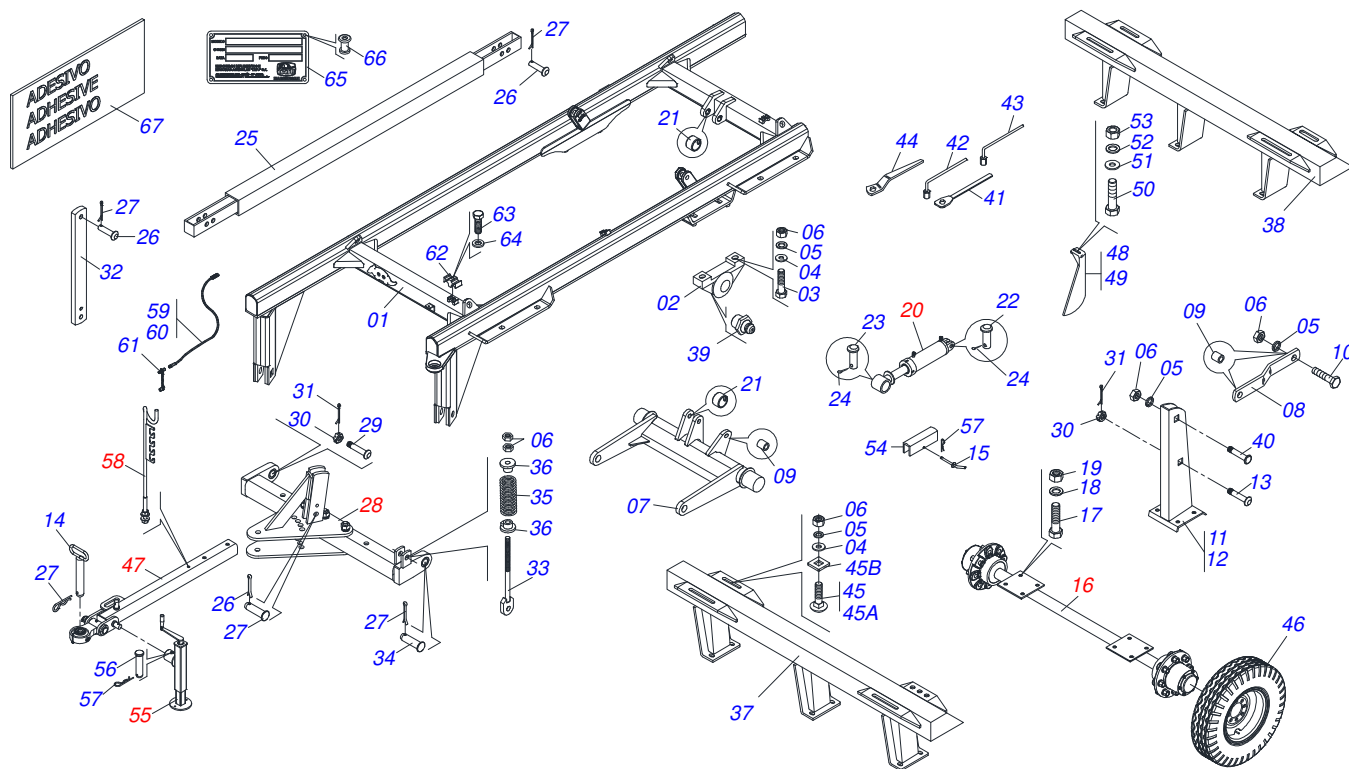
Marchesan S.A. reserves the right to improve and / or modify the technical features of its products, without obligation to do the same with those products already sold and without prior knowledge of the dealer or the consumer.



# INDEX

0909090131	10 DISK OFFSET DISK HARROW (STUBBLE)	.....	1
0501044309	2.0" X 5" X 20" X 10" HYDRAULIC CYLINDER	.....	2
0511040013	OFFSET BAR ASSY	.....	3
0521048502	ASSY TRACTION BAR	.....	4
0909094191	FRONT DISK SECTION - 10D	.....	5
0909094190	REAR DISK SECTION - 10D	.....	6
0503062157	HEADER JACK	.....	7
0909090229	AGRICULTURAL BEARING	.....	8
0501047937	3" X 73.2" STUB SHAFT & HUB ASSY	.....	9
0503060046	35.4"X0.80"-14L WHEEL AND TIRE ASSY	.....	10
0501043774	CM GX 17" 2-1/2" P BEARING ASSY	.....	11

10 DISK OFFSET DISK HARROW (STUBBLE)



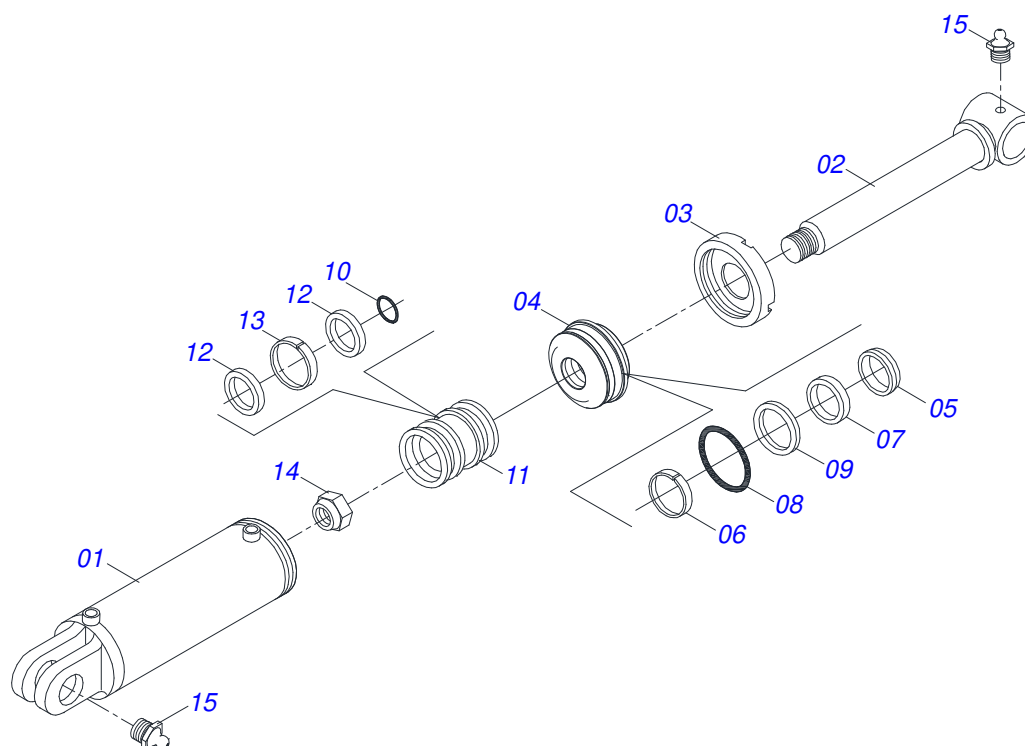
Item	Code	Description	See page	QT
01	0501067011	CENTER FRAME		01
02	0502010972	ARTICULACION BEARING		02
03	0503011432	BOLT		04
04	0501010065	1" SPRING WASHER		12
05	0503011438	SPRING WASHER		18
06	0501010059	1.5/8 NUT		18
07	0501068210	CARRYING-WHEELS		01
08	0501110404	SUPPORT BAR		02
09	0511019921	1.3" X 0.1" X 1" SLEEVE		03
10	0503011432	BOLT		02
11	0501068260	RIGHT SUSPENSION TOWER		01
12	0501068261	LEFT SUSPENSION TOWER		01
13	0511818006	BOLT		02
14	0501048472	1.2" X 7.3" COUPLING SHAFT		01
14A	0501069080	COUPLING SHAFT		01
15	0501068994	0.3" X 3.1" LOCK PIN		01
16	0501047937	3" X 73.2" STUB SHAFT & HUB ASSY	9	02
17	0501010125	3/4" X 2-1/2" BOLT		08
18	0503011442	3/4" SPRING WASHER		08
19	0503010014	3/4" NUT		08
20	0501044309	2.0" X 5" X 20" X 10" HYDRAULIC CYLINDER	2	01
21	0511019920	LUVA 32,7 X 38,8 X 25,40		08
22	0511010174	1.2" X 5.9" COUPLING SHAFT		01
23	0521010547	1.2" X 6.5" COUPLING SHAFT		01
24	0503010523	1/4" X 2" COTTERPIN		04
25	0501066222	STABILIZER BAR		01
26	0521010575	C0.9" X 3.3" COUPLING SHAFT		03
27	0503010571	1/4" X 1.1/2 COTTERPIN		03
28	0511040013	OFFSET BAR ASSY	3	01
29	0521017538	11-1/2" X 5" COUPLING SHAFT		02
30	0501011301	1.1/2 UNC 6FPP 2.5/16 NUT		02



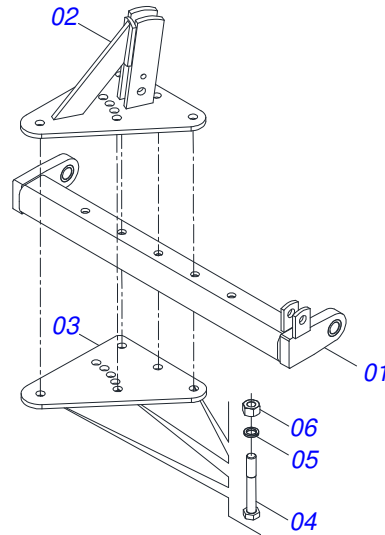
## 10 DISK OFFSET DISK HARROW (STUBBLE)

0909090131

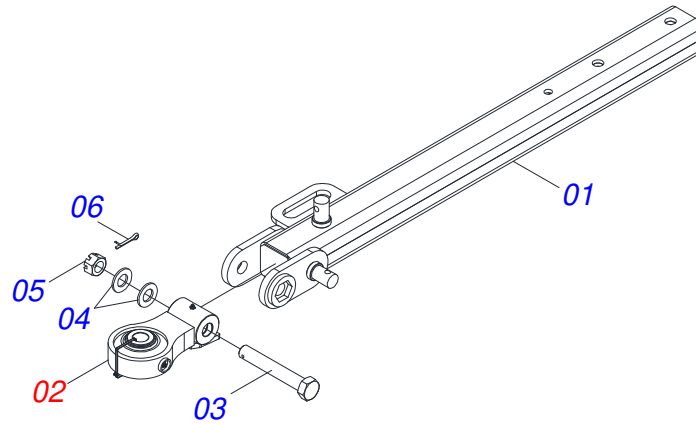
Item	Code	Description	See page	QT
31	0503010010	1/4" X 2.1/2" COTTERPIN		02
32	0511012972	TSTABILIZER BAR TOWER		01
33	0501066240	SPRING ROD		01
34	0521010592	1.1" X 3.1" COUPLING SHAFT		01
35	0503030441	12.7" X 5.7" X 0.5"SPRING		01
36	0502020392	SPRING SUPPORT		02
37	0501060550	FRONT FRAME		01
38	0501060551	REAR FRAME		01
39	0503010002	1800 GREASE FITTING		02
40	0511017974	1 U BOLT OF THE SUSPENSION TOWER		02
41	0501061044	2-1/8" AND 2-1/2" CABLE FLAT WRENCH		02
42	0501061045	1" WRENCH CYLINDRICAL		01
43	0503016137	1-1/4" WRENCH CABLE CYLINDER		01
44	0501011432	1-1/2" AND 1-5/8 GANG BOLT WRENCH		01
45	0501040877	C1" X 3-1/4" ASSY BOLT		08
45A	0501014309	C1" X 3-1/4" BOLT		08
45B	0501010951	1" SQUARE WASHER		08
46	0503060005	29.5"X0.63"-10L WHEEL AND TIRE ASSY		04
47	0521048502	ASSY TRACTION BAR	4	01
48	0501060423	FRONT SCRAPER		05
49	0501060424	REAR SCRAPER		05
50	0503010233	5/8" X 2-1/2" BOLT		20
51	0501012140	FLAT WASHER		20
52	0503010027	5/8" SPRING WASHER		20
53	0503010013	5/8" NUT		20
54	0501066386	TRANSPORT LOCK 9.54"		01
55	0503062157	HEADER JACK	7	01
56	0561014251	COUPLING SHAFT		01
57	0503030168	HAIR PIN		03
58	0501040257	3/4 X 1200 HOSE HOLDER A		01
58A	0501060337	3/4" X 47.2" HOSE HOLDER ASSY		01
59	0501080476	3/8" X 26" TC-TM HOSE ASSY		01
60	0501080477	HOSE 3/8 X 7012 TC-TM		01
61	0501053834	MALE QUICK COUPLER WITH CAP - 1/2 NPT		02
62	0502012702	BODY SUPPORT CLAMP		03
63	0503010751	C3/8" X 1.1/4" HEX BOLT G.5		03
64	0503010025	3/8" SPRING WASHER		03
65	0503034003	SERIAL NUMBER TAG 61 X 118		01
66	0503010001	3.2 X 5.5 RIVET		04
67	0909095313	ADHESIVE (0503060788)		01



Item	Code	Description	See page	QT
01	0501069075	BODY 127 X 424		01
02	0501068963	HYDRAULIC CYLINDER TURNBUCKLE		01
03	0502010382	5" END CAP		01
04	0502012227	50.80 X 127 RING SUPPORT		01
05	0503010039	D-2000 SCRAPER RING		01
06	0503010952	W2-2250-500 RING		01
07	0503010991	1870-2000-375-B GASKET		01
08	0503010351	2-425 N 3006-9B O'RING		01
09	0503011062	8-425 BACK-UP RING		01
10	0503010345	2-218 N 3006-9B O'RING		01
11	0502010963	2.0" X 5.0" PISTON		01
12	0503010552	PACKING 3750-4250-625-B		02
13	0503010974	W2-5000-500 RING		01
14	0503010817	1.1/4" SELF LOCKING NUT		01
15	0503010002	1800 GREASE FITTING		02
16	0501031961	HYDRAULIC CYLINDER REPAIR KIT		01

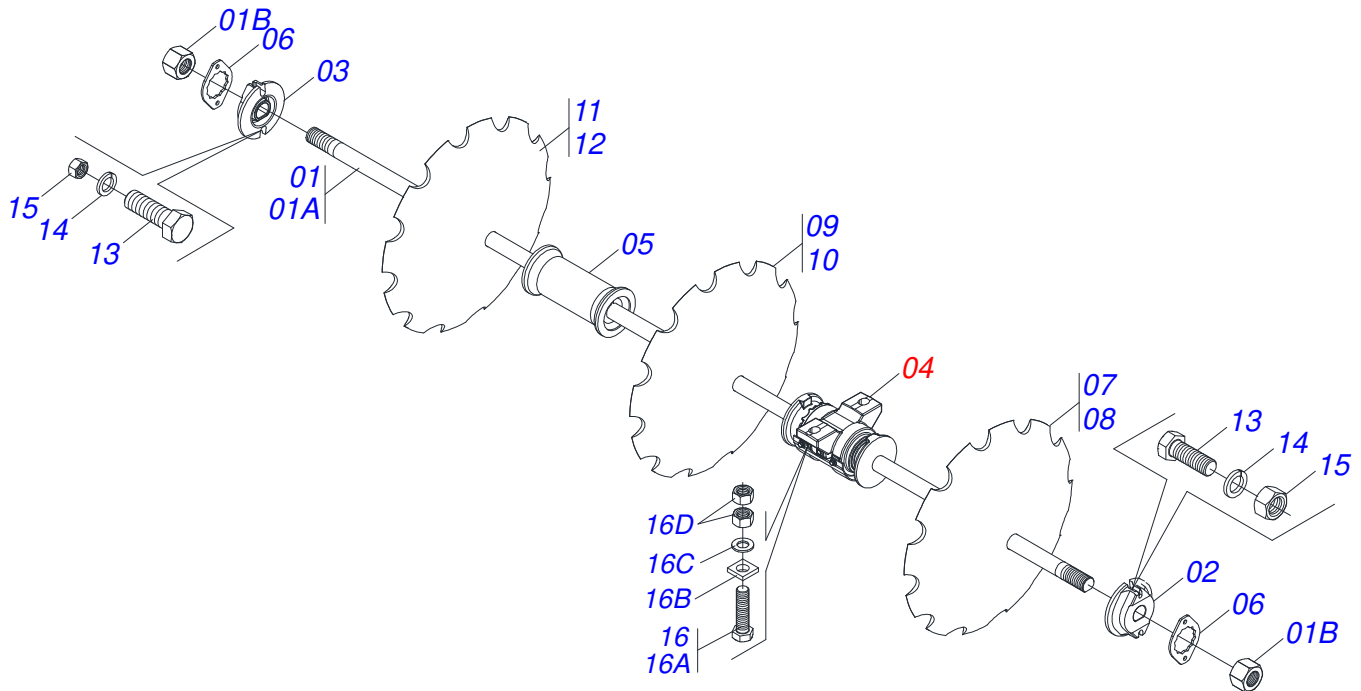


Item	Code	Description	See page	QT
001	0501066223	OFFSET BAR		01
002	0501066235	UPPER PLATE WITH SUPPORT		01
003	0511013000	UPPER /LOWER PLATE		01
004	0501010334	1" X 7" BOLT		05
005	0503011438	SPRING WASHER		05
006	0501010059	1.5/8 NUT		05

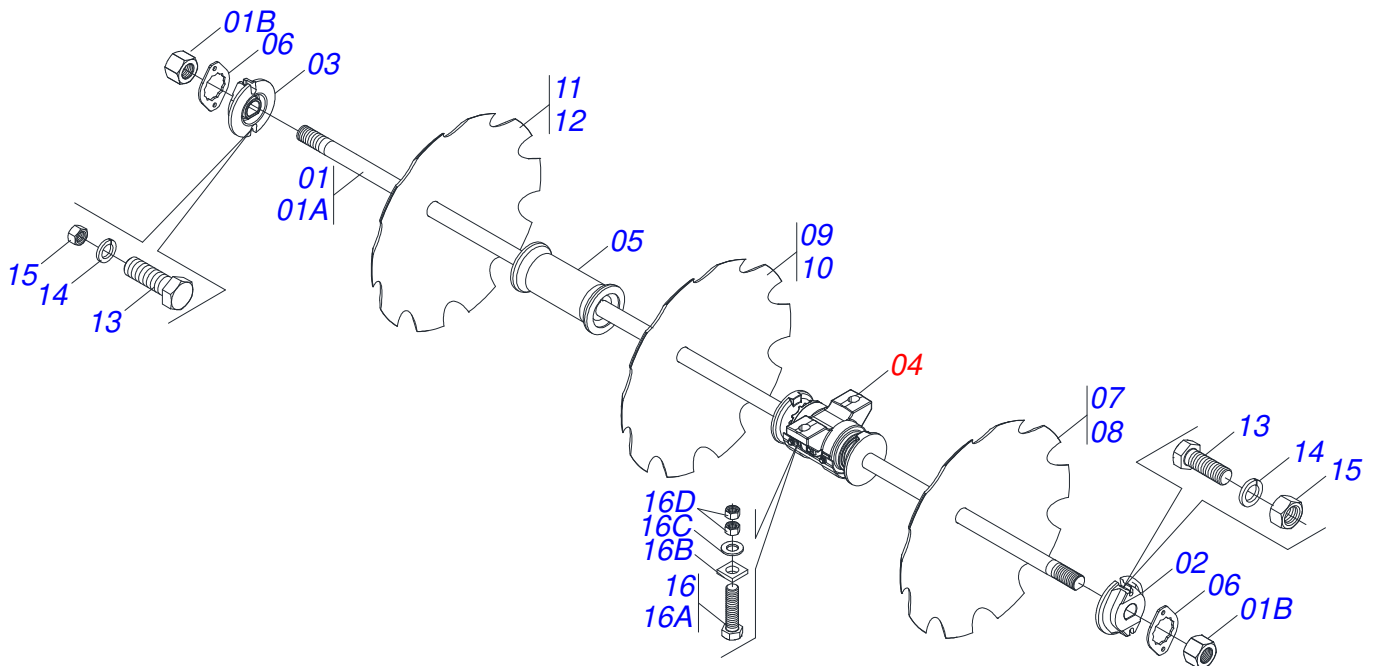


Item	Code	Description	See page	QT
01	0521069165	DRAWBAR ASSY		01
02	0521057520	HITCH ASSY		01
03	0581015973	1.1/4 UNC X 8 C S G5 SCREW		01
04	0501017779	32 X 60 X 4.75 FLAT WASHER		02
05	0503013026	1.1/4" CASTLE NUT		01
06	0503010010	1/4" X 2.1/2" COTTERPIN		01

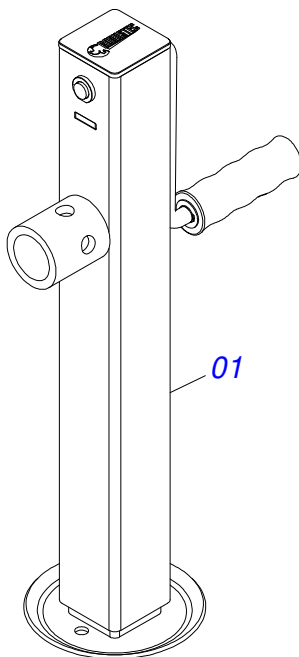




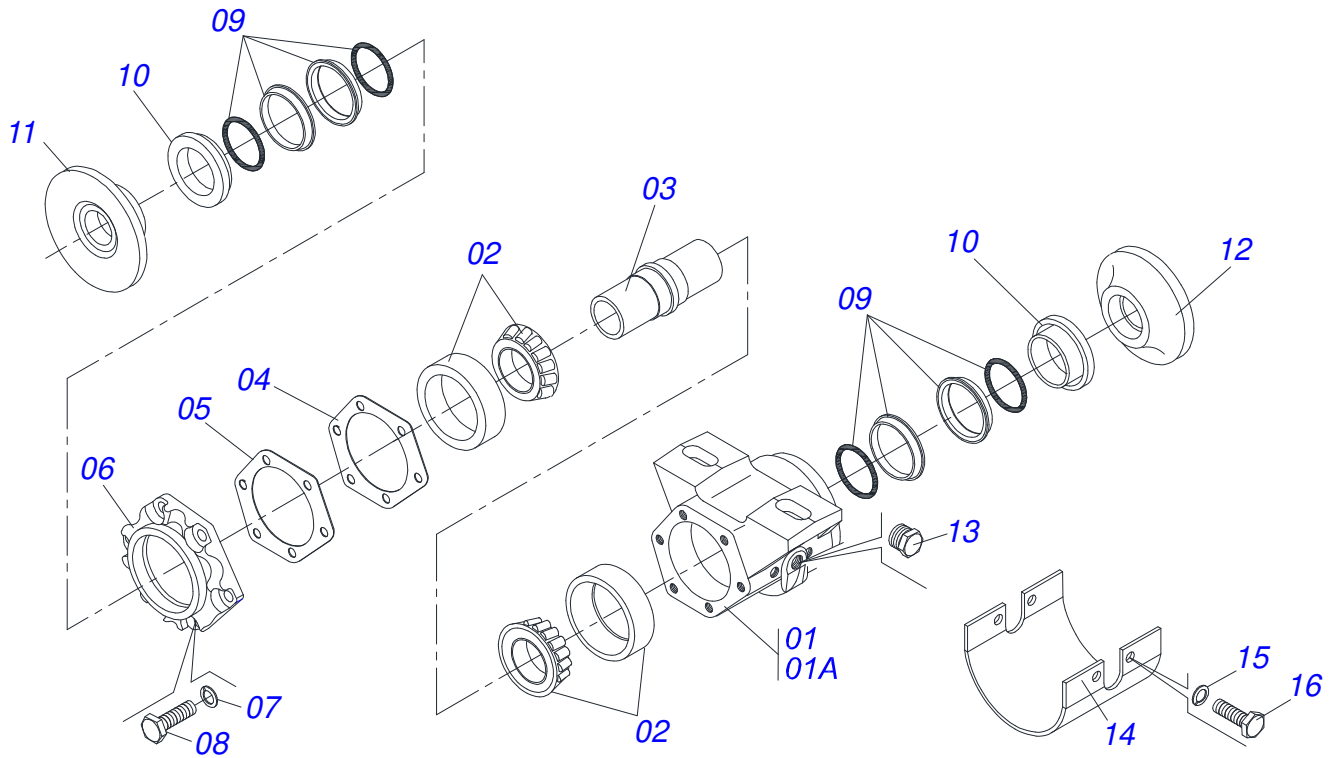
Item	Code	Description	See page	10
01	0501040690	2-1/2" X 80" AXLE WITH NUTS		02
01A	0501010357	2-1/2" X 80" AXLE		02
01B	0502040064	2.1/2"SNC X 70 99 NUT		02
02	0502010593	2-1/2" EXTERNAL AXLE WASHER		02
03	0502010592	2-1/2" INNER AXLE WASHER		02
04	0501046900	430MM X 2-1/2" RD. OIL BATH BEARING		04
05	0502012220	2-1/2" X 17" SPACER		04
06	0501010348	2-1/8"TO 2-1/2" NUT LOCK		04
07	0602044002	32" X 0.3" NOTCHED DISC BLADE		10
08	0602048001	36"X 0.3"9 NOTCHED DISC BLADE		10
09	0602044004	32" X 0.5" NOTCHED DISC BLADE		10
10	0602046001	34" X 0.3" NOTCHED DISC BLADE		10
11	0602048002	36" X 0.5" NOTCHED DISC BLADE		10
12	0602046002	34" X 0.5" NOTCHED DISC BLADE		10
13	0503010233	5/8" X 2-1/2" BOLT		20
14	0503010027	5/8" SPRING WASHER		20
15	0503010013	5/8" NUT		20
16	0501041301	1-1/4"X 5-3/4" ASSY BOLT		08
16A	0501010953	1-1/4" SQUARE WASHER		08
16B	0501010954	1-1/4" X 5-3/4" BOLT		08
16C	0531010713	FLAT WASHER		08
16D	0501010087	1.1/4" NUT		16



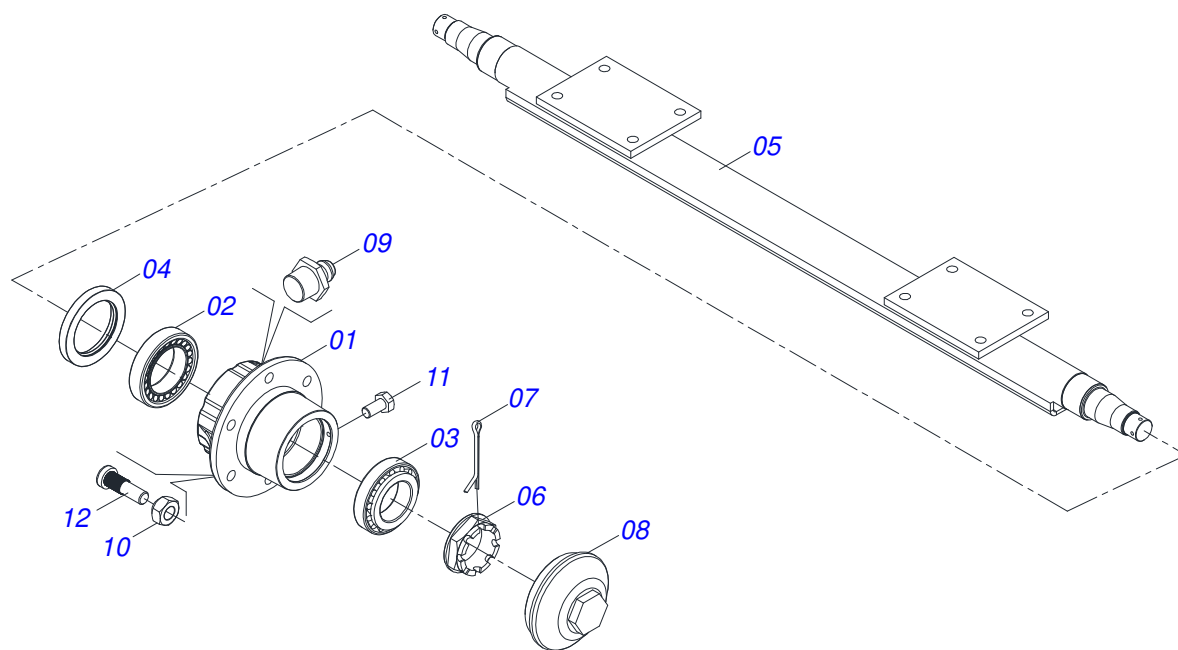
Item	Code	Description	See page	10
01	0501040690	2-1/2" X 80" AXLE WITH NUTS		02
01A	0501010357	2-1/2" X 80" AXLE		01
01B	0502040064	2.1/2"SNC X 70 99 NUT		02
02	0502010592	2-1/2" INNER AXLE WASHER		02
03	0502010593	2-1/2" EXTERNAL AXLE WASHER		02
04	0501046900	430MM X 2-1/2" RD. OIL BATH BEARING		04
05	0502012220	2-1/2" X 17" SPACER		04
06	0501010348	2-1/8"TO 2-1/2" NUT LOCK		04
07	0602044002	32" X 0.3" NOTCHED DISC BLADE		10
08	0602044004	32" X 0.5" NOTCHED DISC BLADE		10
09	0602046001	34" X 0.3" NOTCHED DISC BLADE		10
10	0602046002	34" X 0.5" NOTCHED DISC BLADE		10
11	0602048001	36"X 0.3"9 NOTCHED DISC BLADE		10
12	0602048002	36" X 0.5" NOTCHED DISC BLADE		10
13	0503010233	5/8" X 2-1/2" BOLT		08
14	0503010027	5/8" SPRING WASHER		08
15	0503010013	5/8" NUT		08
16	0501041301	1-1/4"X 5-3/4" ASSY BOLT		08
16A	0501010953	1-1/4" SQUARE WASHER		08
16B	0501010954	1-1/4" X 5-3/4" BOLT		08
16C	0531010713	FLAT WASHER		08
16D	0501010087	1.1/4" NUT		16



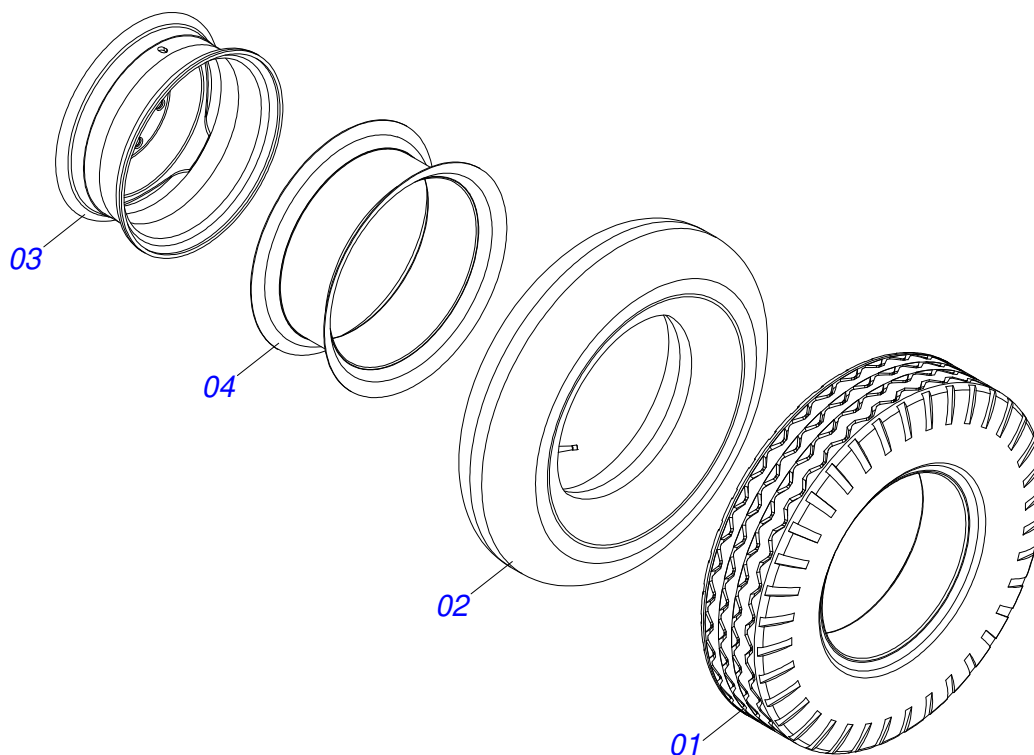
Item	Code	Description	See page	QT
01	0503062157	HEADER JACK	7	01



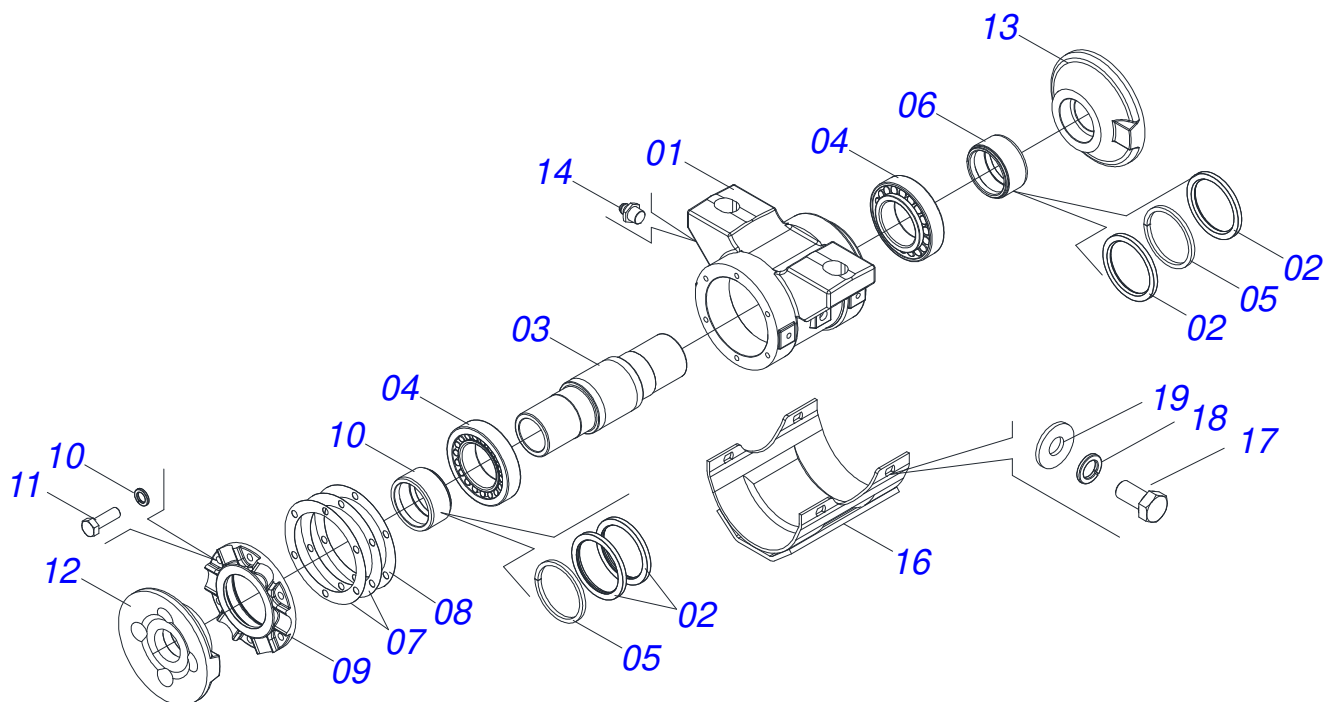
Item	Code	Description	See page	QT
00	0501046900	430MM X 2-1/2" RD. OIL BATH BEARING		00
01	0502012415	HOUSING BEARING		01
02	0503010118	32218 BEARING		02
03	0502040039	AXLE		01
04	0503030537	8.3" X 6.3" X 0.01" JOINT		02
05	0503030687	8.3" X 6.3" X 0.004" JOINT		01
06	0502010644	HOUSING CAP DM		01
07	0503010019	1/2" SPRING WASHER		10
08	0503010920	1/2" X 1.1/2" BOLT		06
09	0503030029	SEAL # LP JB-259		02
10	0502040119	SEAL RETAINER		02
11	0502040164	OUTER FLANGE		01
12	0502040165	INNER FLANGE		01
13	0503010856	OIL PLUG		01
14	0521062889	PROTECTION CAP		01
15	0511017302	FLAT WASHER		04
16	0503010834	1/2 X 1 BOLT		04



Item	Code	Description	See page	QT
01	0502011389	BOX		02
02	0503010006	32210 ROLLER BEARING		02
03	0503010005	32212 ROLLER BEARING		02
04	0503011866	SEAL 00573-B WITH HOLE		02
05	0501066915	3" X 71" AXLE		01
06	0501010888	1.3/4" 2.5/16" CASTLE NUT		02
07	0503010010	1/4" X 2.1/2" COTTERPIN		02
08	0502020593	COVER		02
09	0503010002	1800 GREASE FITTING		02
10	0503010064	5/8 UNF CONIC NUT		12
11	0503010295	SCREW 5/16 UNC X 5/8 CS G.2 ZN		02
12	0501010186	WHEEL SCREW 5/8UNF X 2.1/8CR		12



Item	Code	Description	See page	QT
001	0503010494	9.0LX 20" X 14 PLY, TIRE		01
002	0503010057	INNER TIRE		01
003	0501063939	2.6"X0.8"X5.1"X 6F0.75"X6.8" WHEEL		01
004	0503010470	PROTECTION		01



Item	Code	Description	See page	QT
01	0502010744	HOUSING CM		01
02	0503010095	01103-B SEAL		04
03	0502040039	AXLE		01
04	0503010118	32218 BEARING		02
05	0501010362	GREASE SEAL		02
06	0501011139	SPACER		02
07	0503030537	8.3" X 6.3" X 0.01" JOINT		02
08	0503030687	8.3" X 6.3" X 0.004" JOINT		01
09	0502010660	HOUSING CAP CM		01
10	0503011440	SPRING WASHER		06
11	0503010920	1/2" X 1.1/2" BOLT		06
12	0502040167	OUTER FLANGE		01
13	0502040168	INNER FLANGE		01
14	0503010002	1800 GREASE FITTING		02
15	1882970002	GREASE SOAP		01
16	0521062889	PROTECTION CAP		01
17	0503010834	1/2 X 1 BOLT		04
18	0503010019	1/2" SPRING WASHER		04
19	0511017302	FLAT WASHER		04







**MARCHESAN**

**Technical Publications | Elaboration and Revision**  
JOSÉ DOMINGOS GASPARI

[www.marchesan.com.br](http://www.marchesan.com.br)

