

ROW CROP PLANTERS

T2SI - 2L/4L - 2800/3600 (UNTIL 03/2022)
T2SI - 2L/4L - 2800/3600 (ATÉ 03/2022)

Code: 0501092522
Series: S-0206
Revision: 00
Revision Date: MAY/2019

PARTS CATALOGUE



MARCHESAN



PRODUCTS

Code	Working Width	Description	
0111010017		T2SI 2L 2800 DUPLA F F	S-0206
0111010015		T2SI 4L 3600 DUPLA F F	S-0206

ATTENTION: IMPORTANT

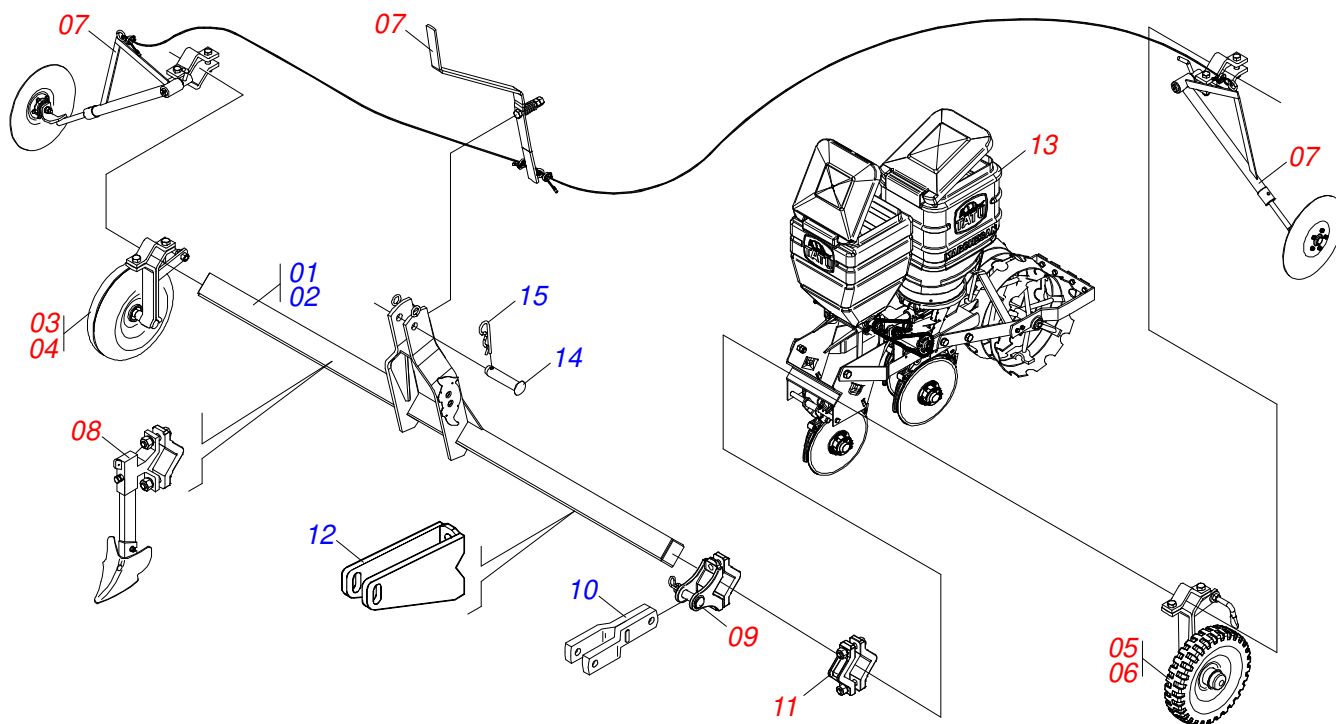
Marchesan S.A. reserves the right to improve and/or modify the technical features of its products, without obligation to do the same with those products already sold and without prior knowledge of the dealer or the customer. The photos are only illustrative.



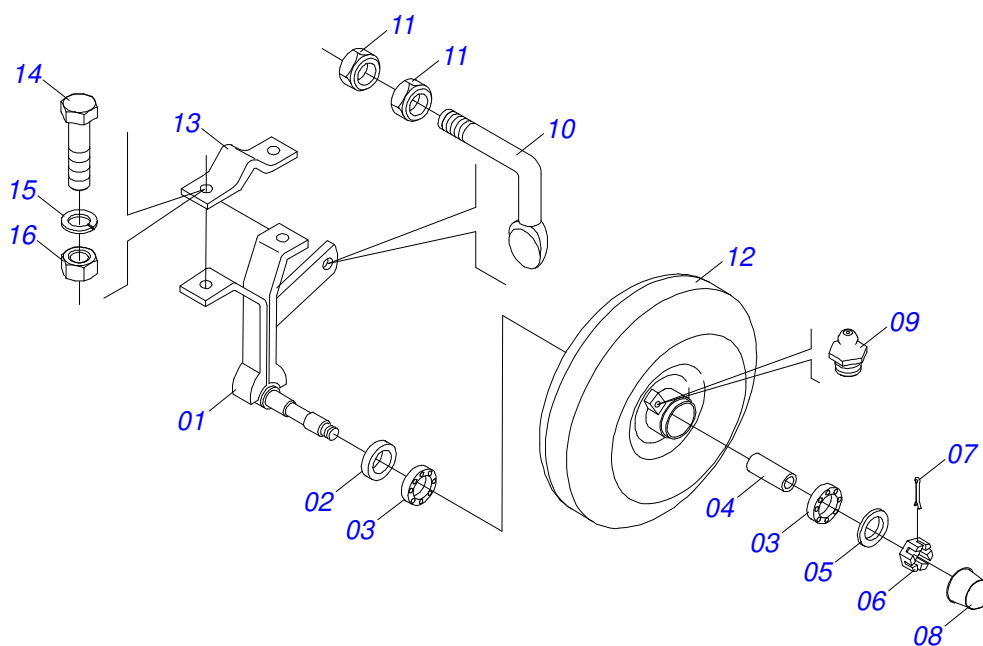
MARCHESAN

INDEX

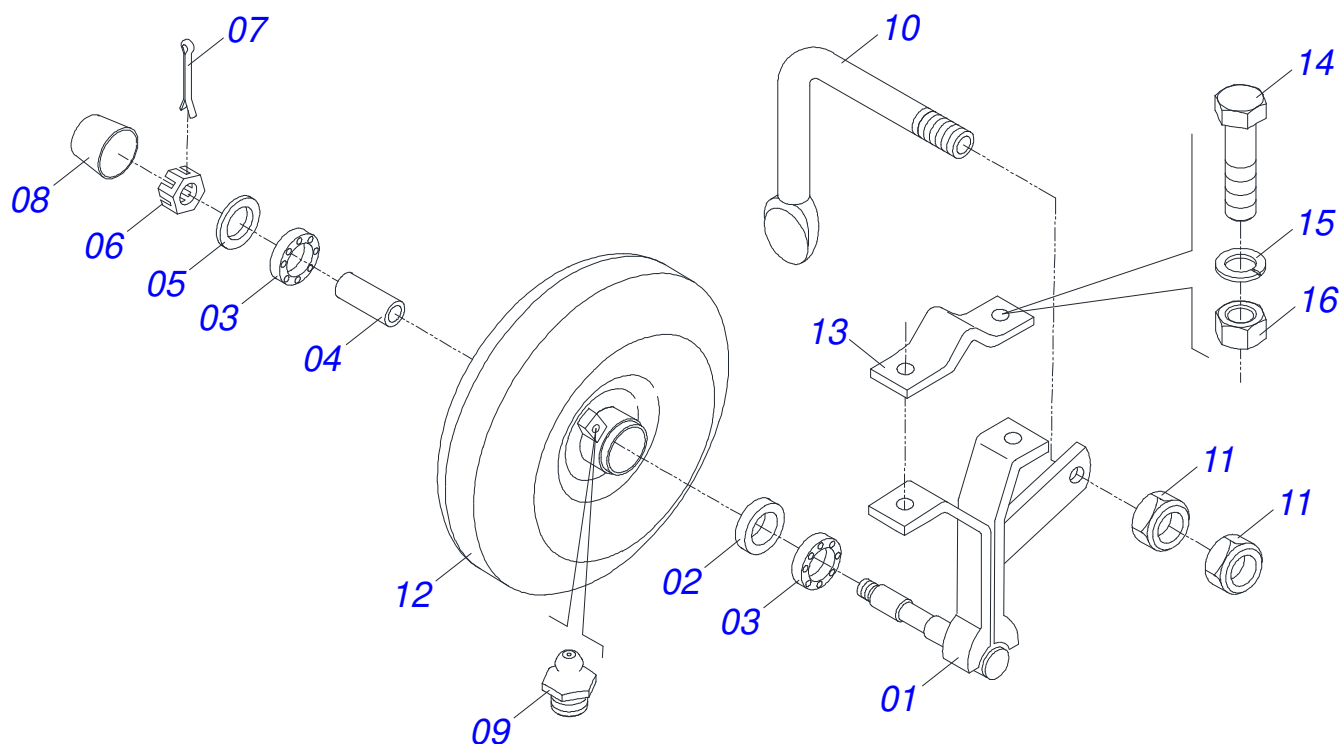
0909095258	FRAME	1
0501043479	RIGHT BEARING IRON SUSTAINING WHEEL	2
0501043528	LEFT BEARING IRON SUSTAINING WHEEL	3
0501043474	RIGHT RUBBER WHELLS	4
0501043651	LEFT IRON WHEEL	5
0909094971	ROW MARKER ASSY	6
0501044547	8 POINT SUBSOILER	7
0909094972	CLIP HITCH FRAME	8
0909094973	FIXER CARRYING	9
0909095256	SEED/FERTILIZER ROW ASSY	10
0511045559	DOUBLE LINE	11
0909095252	SEMI-FRAME	12
0909095253	WHEEL SUPPORT ASSY	13
0909094994	DRAWBAR	14
0909091001	FERTILIZER DOUBLE DISC ASSY	15
0909091015	ROD SUBSOILER CORN	16
0909090997	SEED DOUBLE DISC	17
0909095257	SEED ASSY	18
0501046940	SEMI-DIRECTO ROW ASSY ASSY	19
0909091005	SEMI-DIRECTO ROW ASSY D.BL SPLINDE	20
0909090999	FERTILIZER SYSTEM	21
0909094995	ADJUSTMENT BAR	22



Item	Code	Description	See page	1800	3600
01	0501065187	1800 FRAME		01	00
02	0501065189	3600 FRAME		00	01
03	0501043479	RIGHT BEARING IRON SUSTAINING WHEEL	2	01	01
04	0501043528	LEFT BEARING IRON SUSTAINING WHEEL	3	01	01
05	0501043474	RIGHT RUBBER WHELLS	4	01	01
06	0501043651	LEFT IRON WHEEL	5	01	01
07		ROW MARKER ASSY	6		
08	0501044547	8 POINT SUBSOILER	7	01	01
09		CLIP HITCH FRAME	8		
10	0501067680	DRAWBAR SUPPLEMENT		02	02
11		FIXER CARRYING	9		
12	0501067684	HITCH		02	02
13		SEED/FERTILIZER ROW ASSY			
14	0521010578	COUPLING SHAFT		01	01
15	0503031035	HITCH PIN CLIP		01	01

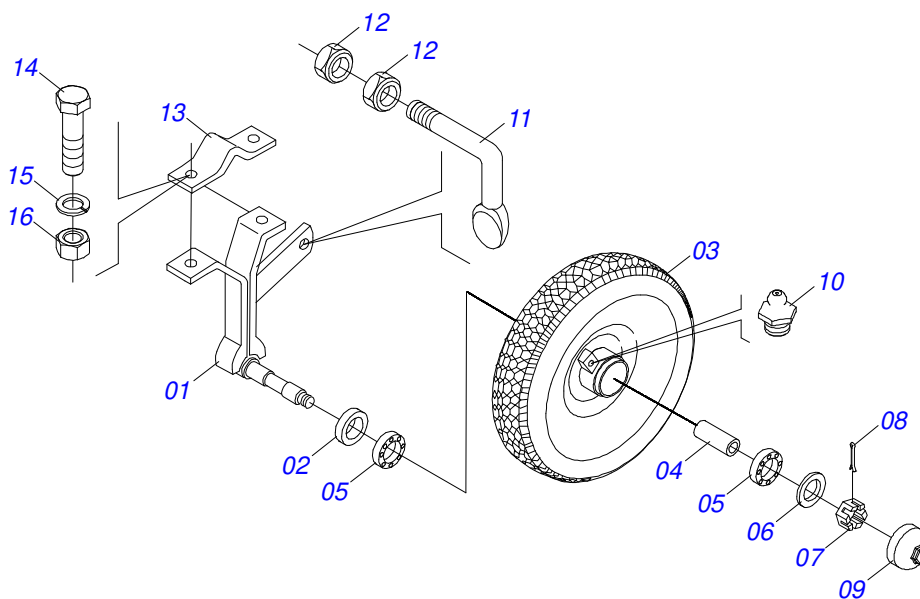


Item	Code	Description	See page	QT
01	0501068833	RH SUPPORT WHEELS		01
02	0503010268	00262-B SEAL		01
03	0503010269	6204 BALL BEARING		02
04	0521010492	SPACING SLEEVE		01
05	0511017305	FLAT WASHER		01
06	0503030282	3/4" CASTLE NUT		01
07	0503010018	5/32" X 1-1/2" SPLIT PIN		01
08	0521010380	PROTECTIVE COVER		01
09	0503010002	1800 GREASE FITTING		01
10	0501016153	DEPTH WHEEL SCRAPER		01
11	0503010013	5/8" UNC G.5 ZN HEX NUT		02
12	0501063340	WHEELS		01
13	0502010175	HITCH CLAMP		01
14	0501011541	BOLT 5/8" UNC X 3 CS G.5 ZN1K28066		02
15	0503010027	5/8 SPRING WASHER		02
16	0503010013	5/8" UNC G.5 ZN HEX NUT		02



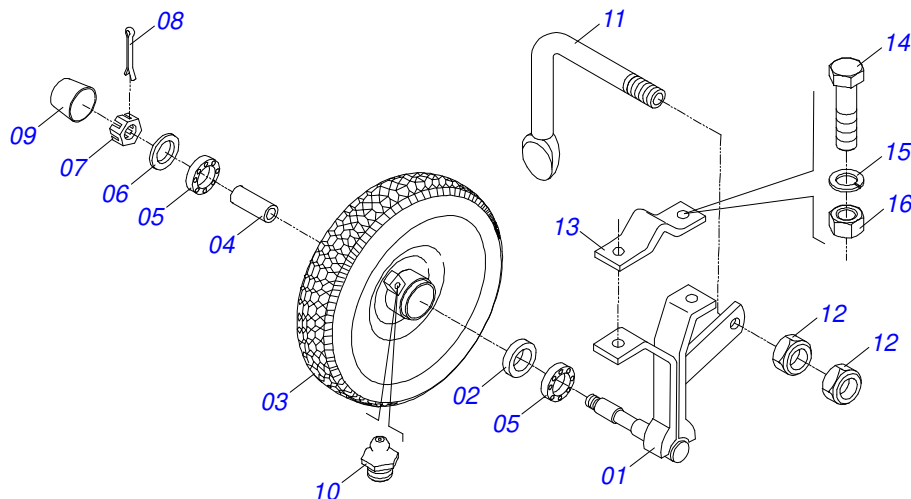
Item	Code	Description	See page	QT
01	0501068834	LH SUPPORT WHEELS		01
02	0503010268	00262-B SEAL		01
03	0503010269	6204 BALL BEARING		02
04	0521010492	SPACING SLEEVE		01
05	0511017305	FLAT WASHER		01
06	0503030282	3/4" CASTLE NUT		01
07	0503010018	5/32" X 1-1/2" SPLIT PIN		01
08	0521010380	PROTECTIVE COVER		01
09	0503010002	1800 GREASE FITTING		01
10	0501016153	DEPTH WHEEL SCRAPER		01
11	0503010013	5/8" UNC G.5 ZN HEX NUT		02
12	0501063340	WHEELS		01
13	0502010175	HITCH CLAMP		01
14	0501011541	BOLT 5/8" UNC X 3 CS G.5 ZN1K28066		02
15	0503010027	5/8 SPRING WASHER		02
16	0503010013	5/8" UNC G.5 ZN HEX NUT		02

RIGHT RUBBER WHEELS



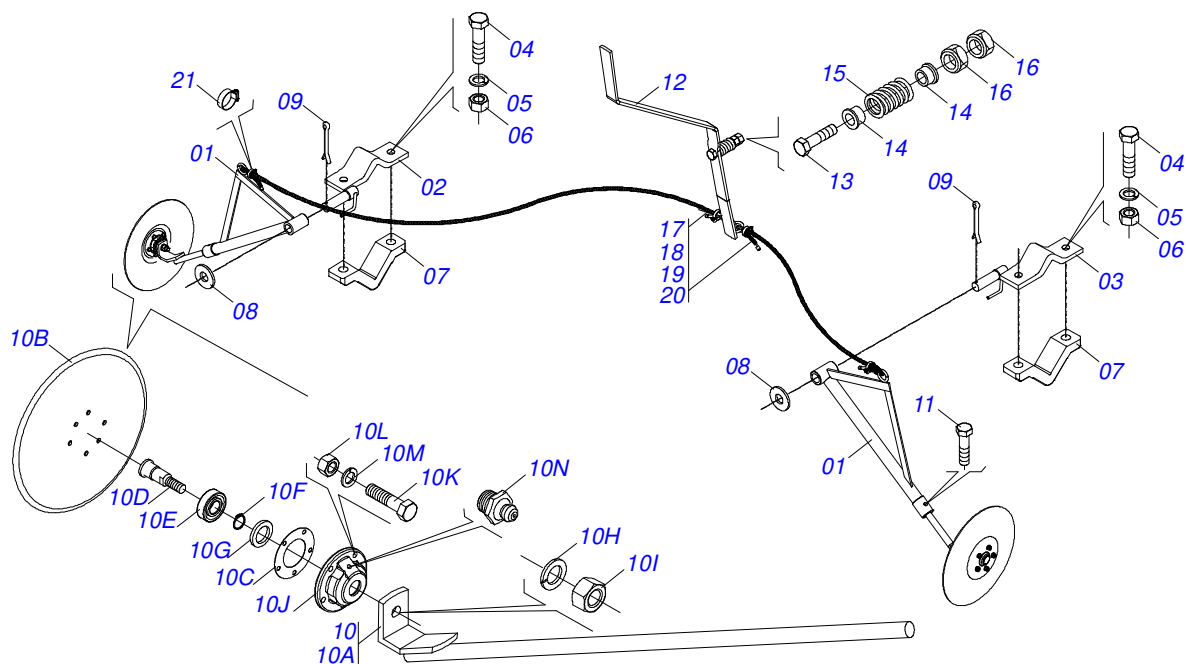
Item	Code	Description	See page	QT
01	0501068833	RH SUPPORT WHEELS		01
02	0503010268	00262-B SEAL		01
03	0503060014	13.78" X 8 WHEEL ASSY		01
04	0521010492	SPACING SLEEVE		01
05	0503010269	6204 BALL BEARING		02
06	0511017305	FLAT WASHER		01
07	0503030282	3/4" CASTLE NUT		01
08	0503010018	5/32" X 1-1/2" SPLIT PIN		01
09	0502020594	PROTECCION COVER		01
10	0503010002	1800 GREASE FITTING		01
11	0501016153	DEPTH WHEEL SCRAPER		01
12	0503010013	5/8" UNC G.5 ZN HEX NUT		02
13	0502010175	HITCH CLAMP		01
14	0501011541	BOLT 5/8" UNC X 3 CS G.5 ZN1K28066		02
15	0503010027	5/8 SPRING WASHER		02
16	0503010013	5/8" UNC G.5 ZN HEX NUT		02

LEFT IRON WHEEL



Item	Code	Description	See page	QT
01	0501068834	LH SUPPORT WHEELS		01
02	0503010268	00262-B SEAL		01
03	0503060014	13.78" X 8 WHEEL ASSY		01
04	0521010492	SPACING SLEEVE		01
05	0503010269	6204 BALL BEARING		02
06	0511017305	FLAT WASHER		01
07	0503030282	3/4" CASTLE NUT		01
08	0503010018	5/32" X 1-1/2" SPLIT PIN		01
09	0502020594	PROTECCION COVER		01
10	0503010002	1800 GREASE FITTING		01
11	0501016153	DEPTH WHEEL SCRAPER		01
12	0503010013	5/8" UNC G.5 ZN HEX NUT		02
13	0502010175	HITCH CLAMP		01
14	0501011541	BOLT 5/8" UNC X 3 CS G.5 ZN1K28066		02
15	0503010027	5/8 SPRING WASHER		02
16	0503010013	5/8" UNC G.5 ZN HEX NUT		02

ROW MARKER ASSY



Item	Code	Description	See page	1800	2800	3200	3600	4200
01	0501065205	SMALLER ROW MARKER SUPPORT		02	02	02	02	02
02	0501065193	RH ROW MARKER FIXER		01	01	01	01	01
03	0501065194	LH ROW MARKER FIXER		01	01	01	01	01
04	0501011541	BOLT 5/8" UNC X 3 CS G.5 ZN1K28066		04	04	04	04	04
05	0503010027	5/8 SPRING WASHER		04	04	04	04	04
06	0503010013	5/8" UNC G.5 ZN HEX NUT		04	04	04	04	04
07	0502010175	HITCH CLAMP		02	02	02	02	02
08	0501011445	FLAT WASHER		02	02	02	02	02
09	0503010018	5/32" X 1-1/2" SPLIT PIN		02	02	02	02	02
10	0501050393	ROW MARKER ARM		02	02	02	02	02
10A	0501065319	ROW MARKER DISC SUPPORT		02	02	02	02	02
10B	0601013504	12" X 3" PLAIN DISC BLADE		02	02	02	02	02
10C	0503030143	3.3" X 1.9" X 0.1" JOINT		02	02	02	02	02
10D	0501012934	COVER DISC AXLE		02	02	02	02	02
10E	0503010269	6204 BALL BEARING		02	02	02	02	02
10F	0503010302	501019 SEAL RING		02	02	02	02	02
10G	0503010272	SEAL 00715-BA		02	02	02	02	02
10H	0503011440	SPRING WASHER		02	02	02	02	02
10I	0503010060	1/2 UNC G.5 ZN HEX NUT		02	02	02	02	02
10J	0502020600	MARKER ARM DISC HUB		02	02	02	02	02
10K	0503010282	1/4" X 3/4" BOLT		02	02	02	02	02
10L	0503011441	SPRING WASHER		02	02	02	02	02
10M	0503010144	1/4" NUT		04	04	04	04	04
10N	0503010002	1800 GREASE FITTING		02	02	02	02	02
11	0503010834	1/2 X 1 BOLT		02	02	02	02	02
12	0501065196	ROW MARKER LEVER		01	01	01	01	01
13	0503010479	BOLT		01	01	01	01	01
14	0501016231	SPRING GUIDE		02	02	02	02	02
15	0503030479	1.65"X0,2"X1.18" COMPRESSION SPRING		01	01	01	01	01
16	0503010060	1/2 UNC G.5 ZN HEX NUT		02	02	02	02	02

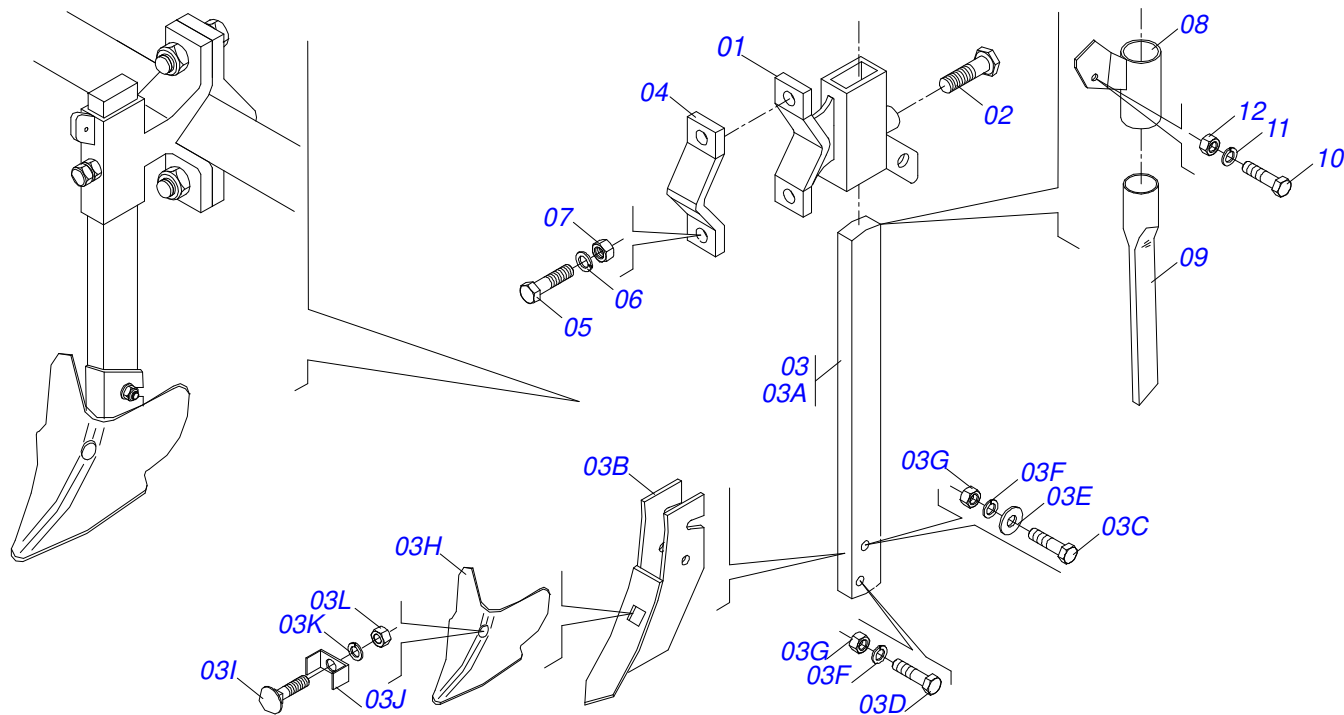


ROW MARKER ASSY

0909094971

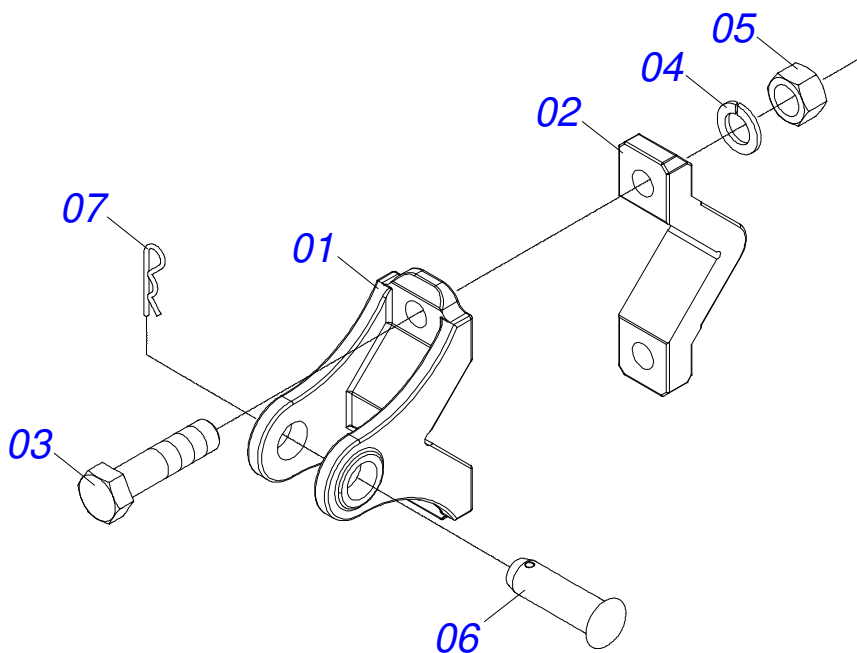
Item	Code	Description	See page	1800	2800	3200	3600	4200
17	0511010369	3/8" X 74.80" LEVER ROPE	02	00	00	00	00	00
18	0511010364	3/8" X 74.80" LEVER ROPE	01	01	00	00	00	00
19	0511010365	ROPE	00	00	01	00	00	00
20	0511010366	ROPE	00	00	00	01	01	01
21	0503010296	CLAMP	04	04	04	04	04	04

8 POINT SUBSOILER

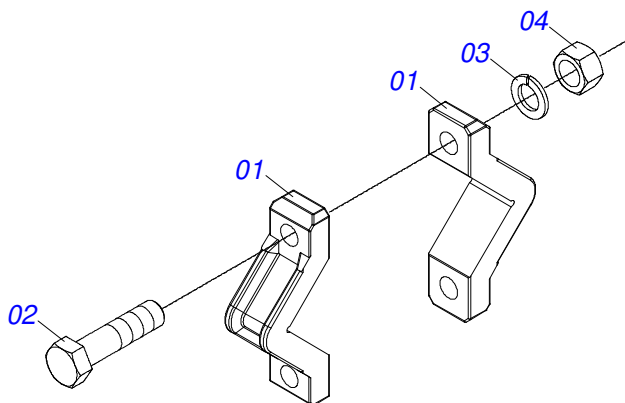


Item	Code	Description	See page	2L	3L	4L	5L	6L
00	0501044547	8 POINT SUBSOILER	7	02	03	04	05	06
01	0502010798	SOCKET SUBSOILER SUPPORT		02	03	04	05	06
02	0501010098	BOLT 3/4" UNC X 2 C S G.5 ZN		02	03	04	05	06
03	0501043477	FERTILIZER SUBSOILER WING SPINDLE		02	03	04	05	06
03A	0501011025	SUBSOILER SPINDLE		02	03	04	05	06
03B	0501065309	POINT SUBSOILER		02	03	04	05	06
03C	0501011028	1/2" X 2-1/4" BOLT		02	03	04	05	06
03D	0503010740	BOLT 1/2 UNC X 2 CS G.5 ZN		02	03	04	05	06
03E	0501010937	13,50 X 28 X 3,00 FLAT WASHER		02	03	04	05	06
03F	0503010019	1/2" SPRING WASHER		02	03	04	05	06
03G	0503010060	1/2 UNC G.5 ZN HEX NUT		02	03	04	05	06
03H	0626091001	8" POINT SUBSOILER		02	03	04	05	06
03I	0501011190	5/8" X 3-3/4" BOLT		02	03	04	05	06
03J	0501011026	FIXER		02	03	04	05	06
03K	0503010027	5/8 SPRING WASHER		02	03	04	05	06
03L	0503010013	5/8" UNC G.5 ZN HEX NUT		02	03	04	05	06
04	0502010175	HITCH CLAMP		02	03	04	05	06
05	0503010797	3/4" X 4" BOLT		02	03	04	05	06
06	0503010023	3/4" SPRING WASHER		02	03	04	05	06
07	0503010014	3/4" ZN G.5 (HEAVY) UNC HEX NUT		02	03	04	05	06
08	0501065200	SOCKET FASTENER SUPPORT		02	03	04	05	06
09	0503030432	FERTILIZER SOCKET		02	03	04	05	06
10	0503010237	3/8" X 1" BOLT		02	03	04	05	06
11	0503010025	3/8 SPRING WASHER		02	03	04	05	06
12	0503010026	3/8" NUT		02	03	04	05	06

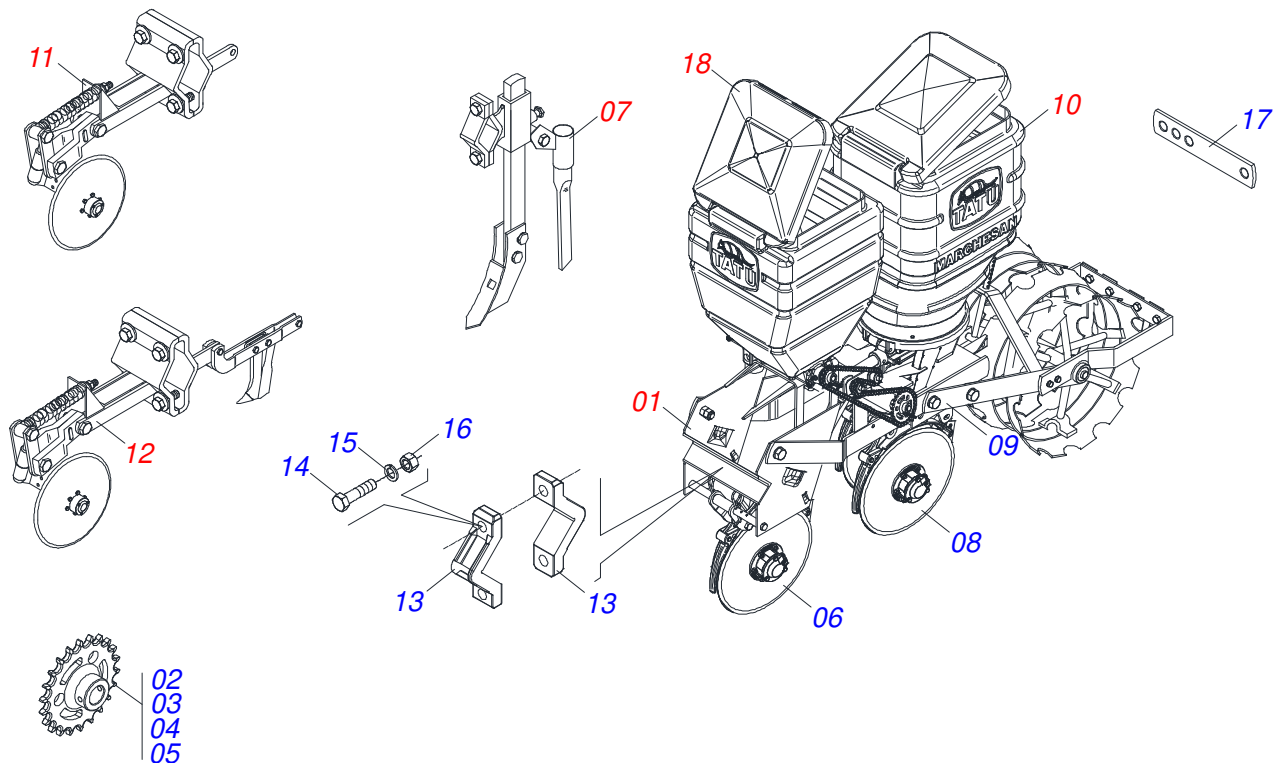
CLIP HITCH FRAME



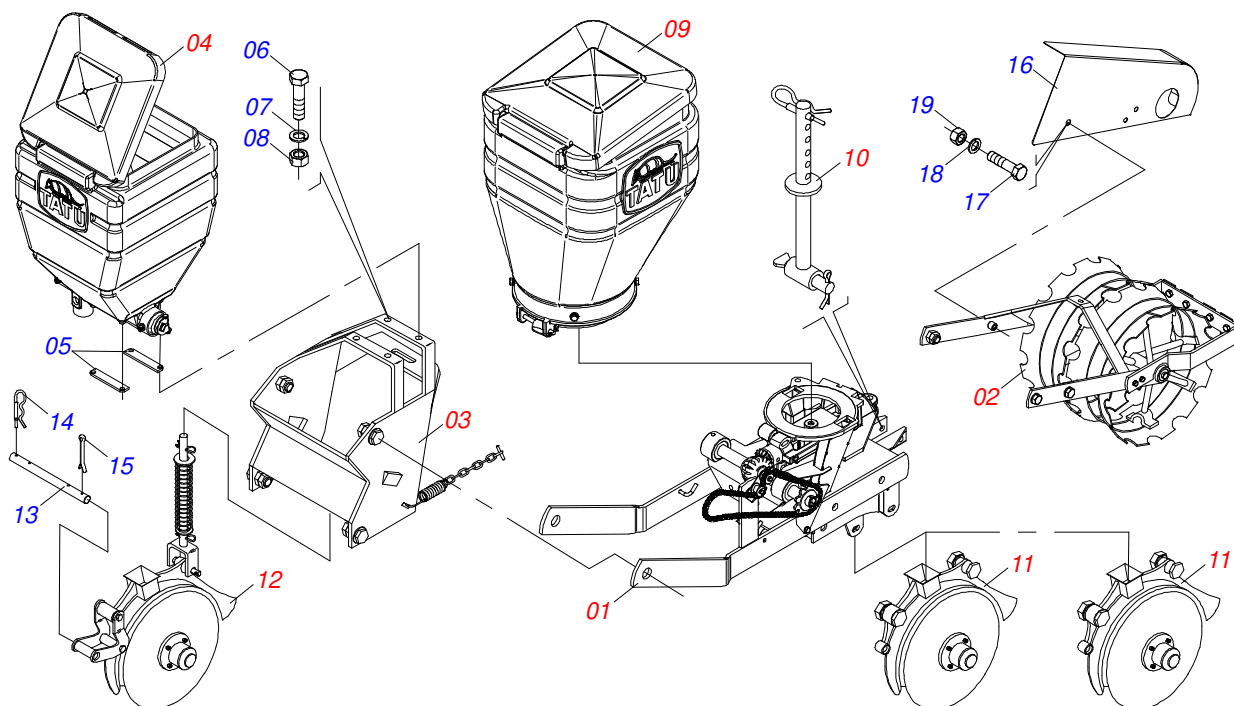
Item	Code	Description	See page	QT
01	0502011204	FRAME HITCH		02
02	0502010175	HITCH CLAMP		02
03	0503010797	3/4" X 4" BOLT		04
04	0503010023	3/4" SPRING WASHER		04
05	0503010014	3/4" ZN G.5 (HEAVY) UNC HEX NUT		04
06	0521010595	1.1" X 4.3" COUPLING SHAFT		02
07	0503031035	HITCH PIN CLIP		02



Item	Code	Description	See page	QT
01	0502010175	HITCH CLAMP		01
02	0503010797	3/4" X 4" BOLT		02
03	0503010023	3/4" SPRING WASHER		02
04	0503010014	3/4" ZN G.5 (HEAVY) UNC HEX NUT		02

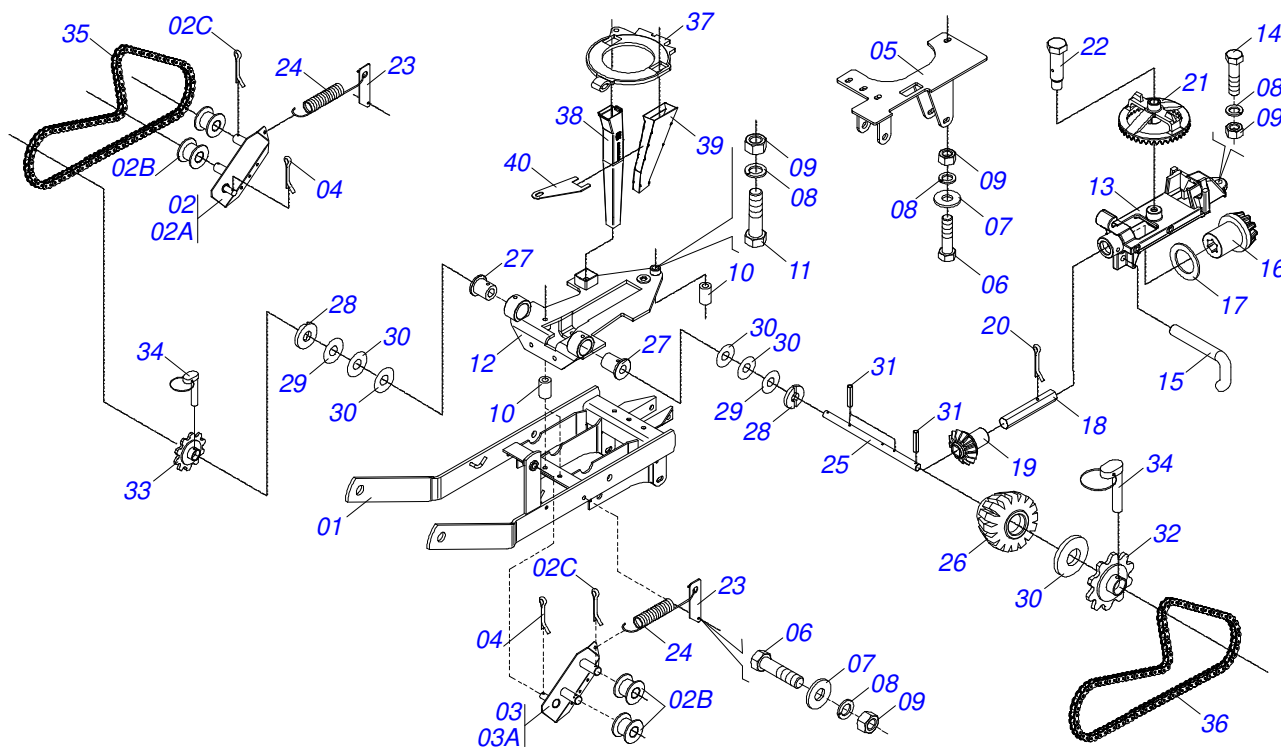


Item	Code	Description	See page	QT
01	0511045559	DOUBLE LINE	11	01
02	0502011355	26Z GEAR		02
03	0502011359	30Z GEAR		02
04	0502011346	18Z GEAR		02
05	0502011353	22Z GEAR		02
06		FERTILIZER DOUBLE DISC ASSY	15	
07		ROD SUBSOILER CORN	16	
08		SEED DOUBLE DISC	17	
09		WHEEL SUPPORT ASSY	13	
10		SEED ASSY	18	
11	0501046940	SEMI-DIRECTO ROW ASSY ASSY	19	01
12		SEMI-DIRECTO ROW ASSY D.BL SPLINDE	20	
13	0502010175	HITCH CLAMP		02
14	0503010797	3/4" X 4" BOLT		02
15	0503010023	3/4" SPRING WASHER		02
16	0503010014	3/4" ZN G.5 (HEAVY) UNC HEX NUT		02
17	0511010673	FIXER REGULATOR COVER SPINDLE		02
18		FERTILIZER SYSTEM	21	



Item	Code	Description	See page	QT
01		SEMI-FRAME	12	
02		WHEEL SUPPORT ASSY	13	
03		DRAWBAR	14	
04		FERTILIZER SYSTEM	21	
05	0511017073	12,01 X 2" X 0,25" PLATE		02
06	0503010751	C3/8" X 1.1/4" HEX BOLT G.5		04
07	0503010025	3/8 SPRING WASHER		04
08	0503010026	3/8" NUT		04
09		SEED ASSY	18	
10		ADJUSTMENT BAR	22	
11		SEED DOUBLE DISC	17	
12		FERTILIZER DOUBLE DISC ASSY	15	
13	0511010672	0.77" X 11.02" AXLE		01
14	0503030012	HITCH PIN CLIP		02
15	0503010274	5/32" X 2" SPLIT PIN		02
16	0511016447	CHAIN COVER		01
17	0503010237	3/8" X 1" BOLT		04
18	0503011443	SPRING WASHER 3/8"		04
19	0503010026	3/8" NUT		04

SEMI-FRAME

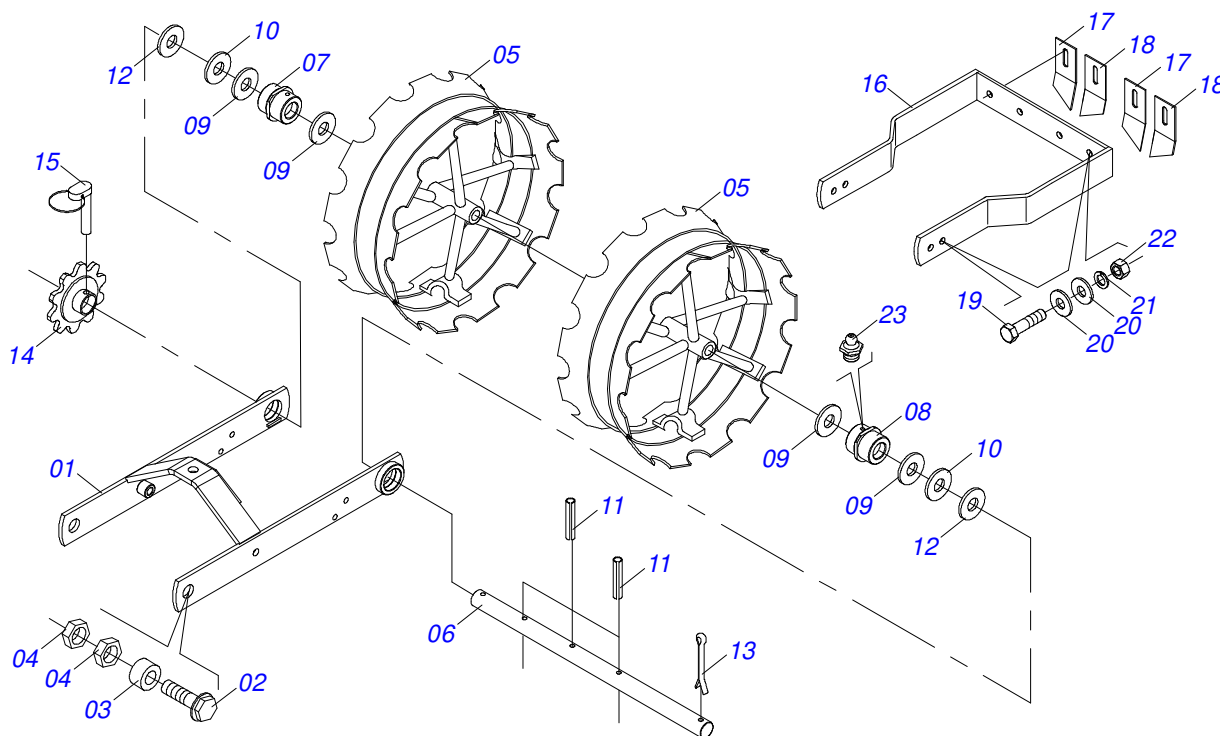


Item	Code	Description	See page	QT
01	0511068198	ROW FRAME		01
02	0521041019	CHAIN TENSIONER ASSY		01
02A	0521063375	CHAIN TENSIONER		01
02B	0503030402	PULLEY		04
02C	0503010297	5/32" X 1.1/4" SPLIT PIN		02
03	0501047263	CHAIN TENSIONER ASSY		01
03A	0501065301	CHAIN TENSIONER		01
04	0503010018	5/32" X 1-1/2" SPLIT PIN		02
05	0521063367	SUPPORT BASE		01
06	0503811087	3/8" X 1" BOLT		02
07	0501810984	FLAT WASHER		02
08	0503011443	SPRING WASHER 3/8"		06
09	0503810026	3/8" NUT		06
10	0571011914	25 X 13,2 X 9 SLEEVE		03
11	0503810481	3/8" X 4" BOLT		03
12	0521067983	SUPPORT BASE		01
13	0501110507	FIXING BASE		01
14	0503810849	3/8 UNC X 1.1/2 C S G.5 SA BOLT		01
15	0551013510	LOCK PIN		01
16	0502011411	10Z CONICAL GEAR		01
17	0501813354	FLAT WASHER		01
18	0551013533	HEX AXLE		01
19	0502012435	18Z CONICAL GEAR		01
20	0503010018	5/32" X 1-1/2" SPLIT PIN		01
21	0502011419	40Z CONICAL GEAR		01
22	0511018700	AXLE		01
23	0511010768	TENSIONER SPRING		02
24	0503030099	1.3" X 4.9" 0.2" TRACTION SPRING		02
25	0551013484	ROW AXLE		01
26	0502012434	18Z CONICAL GEAR		01

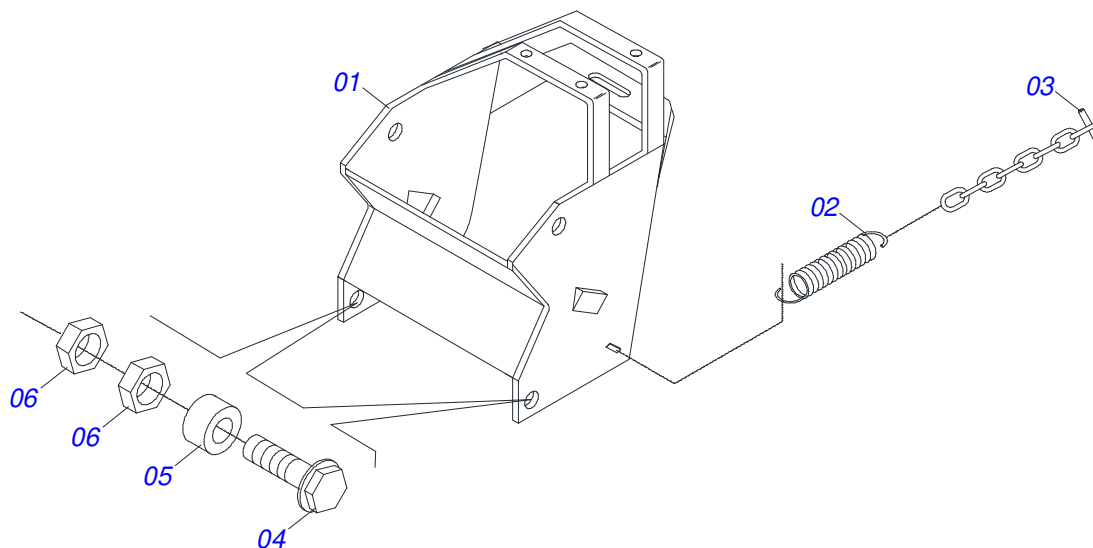


Item	Code	Description	See page	QT
27	0502020627	AXLE SLEVE GUIDES		02
28	0502010403	LOCKWASHER		02
29	0501011168	WASHER SPACER		02
30	0501011467	FLAT WASHER		04
31	0503010756	0.2" X 2.4" SPRING PIN		02
32	0502011346	18Z GEAR		01
33	0502011353	22Z GEAR		01
34	0503030119	LOCK PIN		02
35	0503014086	50-1 X 123 CHAIN LINK + MENDING		02
36	0503014089	LINK CHAIN		02
37	0511068202	SEED DISC LOWER TRAIL		01
38	0531062094	SEED RIGHT SOCKET		01
39	0521063438	SEED SOCKET		01
40	0581015172	SEED SOCKET FIXER		01

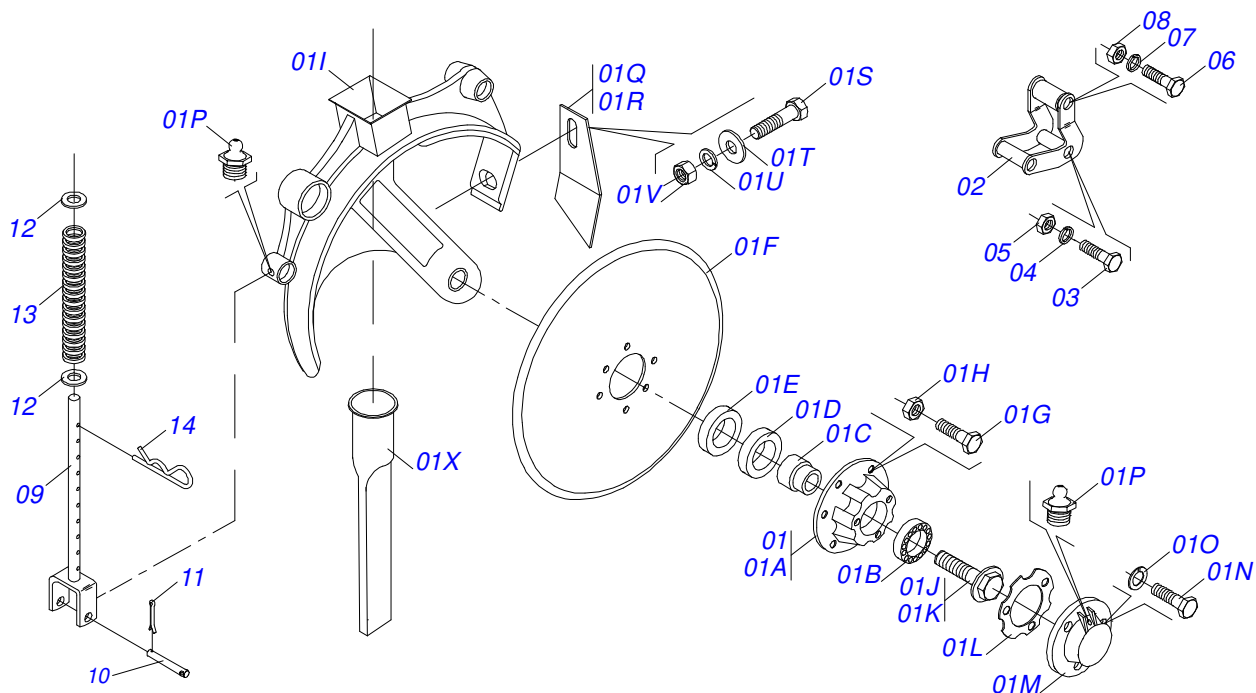
WHEEL SUPPORT ASSY



Item	Code	Description	See page	QT
01	0511068161	PRESS WHEEL SUPPORT		01
02	0511017958	5/8" X 1.9" RIGHT BOLT		02
03	0511014513	1" X 0.6" X 0.4" ARTICULAT SLEEVE		02
04	0503010013	5/8" UNC G.5 ZN HEX NUT		02
05	0511068159	IRON PRESS WHEEL		02
06	0551013485	PRESS WHEEL AXLE		01
07	0502020626	AXLE SLEVE GUIDES		01
08	0502020625	AXLE SLEVE GUIDES		01
09	0501011168	WASHER SPACER		04
10	0502010478	LOCKWASHER		02
11	0503010301	0.3" X 1.8" SPRING PIN		01
12	0501011467	FLAT WASHER		02
13	0503010571	1/4" X 1.1/2" SPLIT PIN		01
14	0502011353	22Z GEAR		02
15	0503030119	LOCK PIN		02
16	0511068180	SCRAPER FIXER SUPPORT		01
17	0501011033	RH PRESS WHEELS SCRAPER		02
18	0501011034	RH PRESS WHEELS SCRAPER		02
19	0503811087	3/8" X 1" BOLT		04
20	0501810984	FLAT WASHER		08
21	0503011443	SPRING WASHER 3/8"		04
22	0503810026	3/8" NUT		04
23	0503010691	1/4" GREASE FITTING		02



Item	Code	Description	See page	QT
01	0501065299	SEMI-FRAME DRAWBAR		01
02	0503030099	1.3" X 4.9" 0.2" TRACTION SPRING		02
03	0501064886	5/16" CHAIN X 8 LINK		02
04	0511017958	5/8" X 1.9" RIGHT BOLT		04
05	0511014513	1" X 0.6" X 0.4" ARTICULAT SLEEVE		04
06	0503010013	5/8" UNC G.5 ZN HEX NUT		08



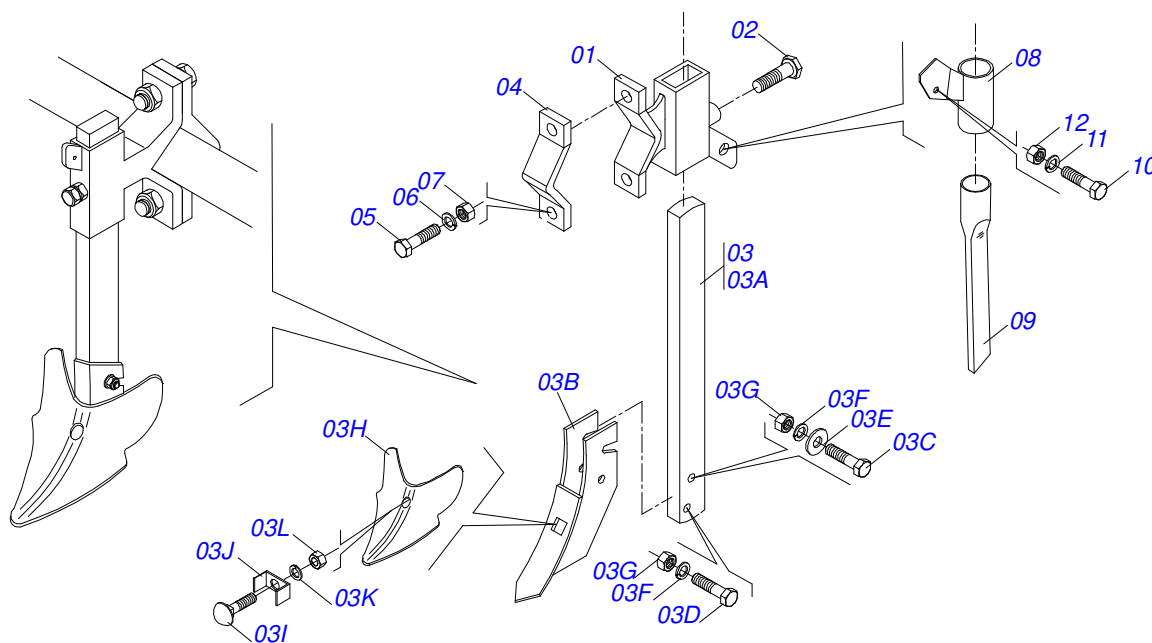
Item	Code	Description	See page	QT
00	0501051183	FERT DOUB-DISC ASSY		
01	0501050300	FERTILIZER DOUBLE DISC ASSY		01
01A	0502011273	DOUBLE DISC HUB		02
01B	0503010276	6206 BALL BEARING		02
01C	0501011832	HUB DOUBLE DISC PASSANG AXLE		02
01D	0503010526	3011 SEAL RING		02
01E	0503010525	00797-BA SEAL		02
01F	0603020019	D272 PLAIN COULTER BLADE		02
01G	0503010546	5/16" X 7/8" BOLT		12
01H	0503010337	NUT 5/16 UNC G.5 ZN		12
01I	0502010674	FERTILIZER DOUBLE DISC SUPPORT		01
01J	0511017958	5/8" X 1.9" RIGHT BOLT		01
01K	0511017959	5/8" X 1.9" LEFT BOLT		01
01L	0503030142	3.27" X 2.44" X 0.02" JOINT		02
01M	0502020599	COVER		02
01N	0503010282	1/4" X 3/4" BOLT		06
01O	0503010143	1/4" SPRING WASHER		06
01P	0503010002	1800 GREASE FITTING		02
01Q	0501017541	RIGHT DOUBLE DISC SCRAPER		01
01R	0501017542	LH DOUBLE DISC SCRAPER		01
01S	0503010751	C3/8" X 1.1/4" HEX BOLT G.5		01
01T	0501010984	10,50 X 27 X 3,00 FLAT WASHER		02
01U	0503010025	3/8 SPRING WASHER		01
01V	0503010026	3/8" NUT		01
01X	0503030483	FERTILIZER SOCKET		01
02	0501063321	SUPPORT ADJUSTING DOUBLE DISC		01
03	0501010163	5/8" X 4-1/2" BOLT		01
04	0503010027	5/8 SPRING WASHER		01
05	0503010013	5/8" UNC G.5 ZN HEX NUT		01
06	0503010479	BOLT		01



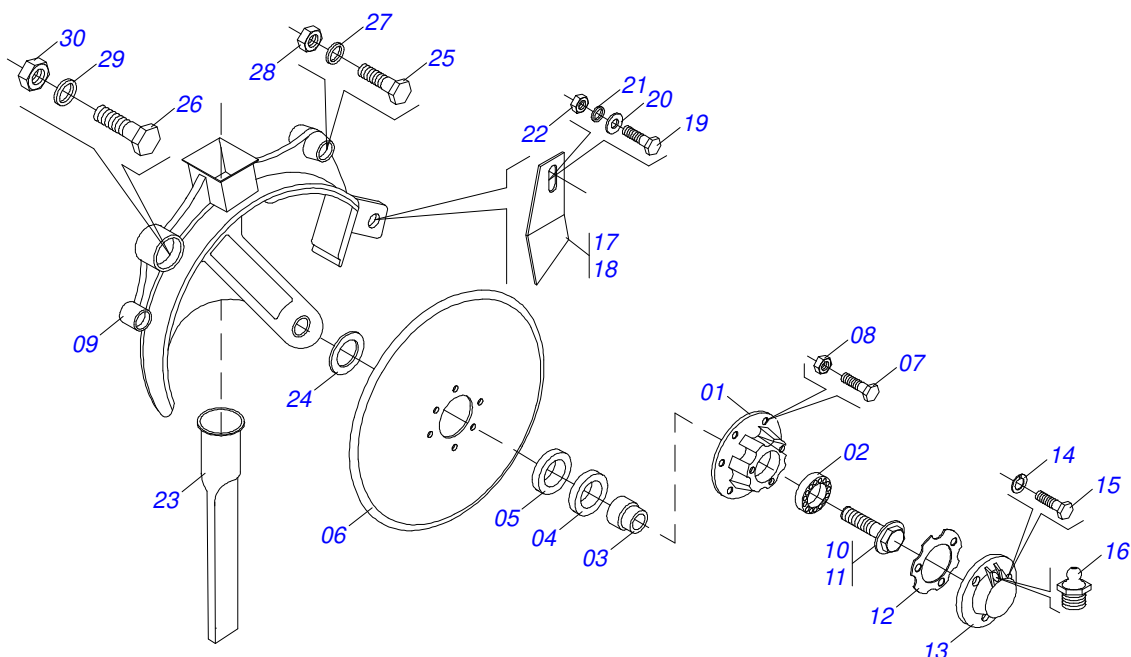
FERTILIZER DOUBLE DISC ASSY

0909091001

Item	Code	Description	See page	QT
07	0503010019	1/2" SPRING WASHER		01
08	0503010060	1/2 UNC G.5 ZN HEX NUT		01
09	0501063359	DEPTH REGULATOR		01
10	0521010553	0.5" X 3" COUPLING SHAFT		01
11	0503010257	1/8" X 1" SPLIT PIN		01
12	0501010453	FLAT WASHER		02
13	0503030399	1"X5.1"X 0.2" COMPRESSION SPRING		01
14	0503030012	HITCH PIN CLIP		02



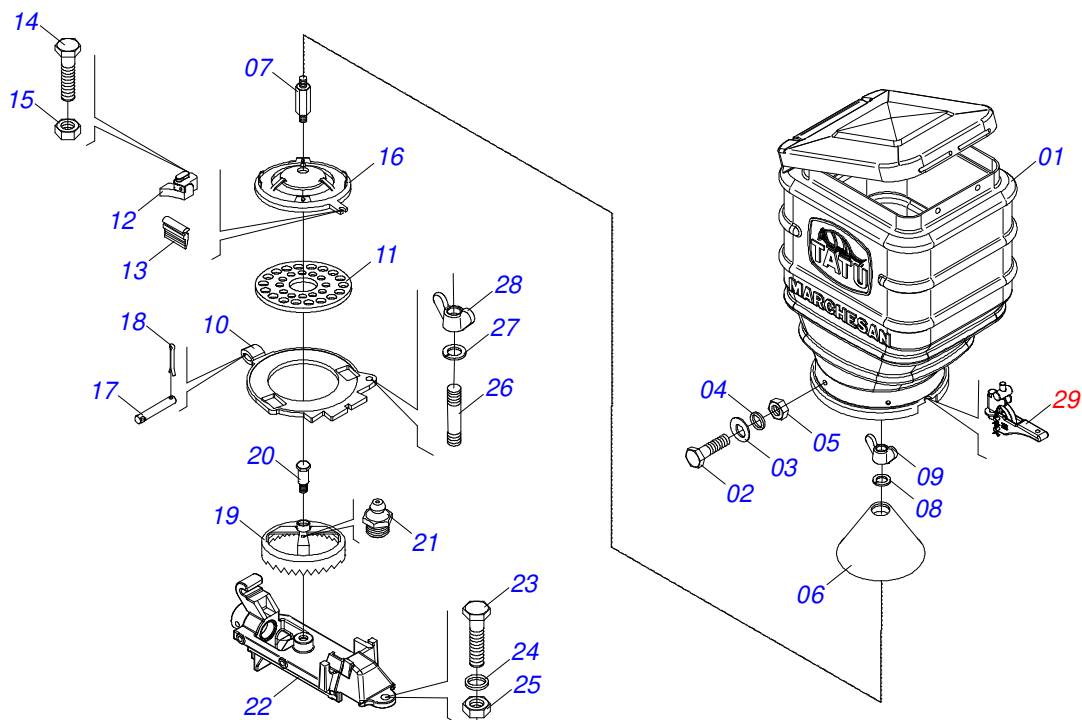
Item	Code	Description	See page	QT
01	0502010798	SOCKET SUBSOILER SUPPORT		01
02	0501010098	BOLT 3/4" UNC X 2 C S G.5 ZN		01
03	0501043477	FERTILIZER SUBSOILER WING SPINDLE		01
03A	0501011025	SUBSOILER SPINDLE		01
03B	0501065309	POINT SUBSOILER		02
03C	0501011028	1/2" X 2-1/4" BOLT		02
03D	0503010740	BOLT 1/2 UNC X 2 CS G.5 ZN		02
03E	0501010937	13,50 X 28 X 3,00 FLAT WASHER		02
03F	0503010019	1/2" SPRING WASHER		02
03G	0503010060	1/2 UNC G.5 ZN HEX NUT		02
03H	0626091001	8" POINT SUBSOILER		01
03I	0501011190	5/8" X 3-3/4" BOLT		01
03J	0501011026	FIXER		01
03K	0503010027	5/8 SPRING WASHER		01
03L	0503010013	5/8" UNC G.5 ZN HEX NUT		01
04	0502010175	HITCH CLAMP		02
05	0503010797	3/4" X 4" BOLT		02
06	0503010023	3/4" SPRING WASHER		02
07	0503010014	3/4" ZN G.5 (HEAVY) UNC HEX NUT		02
08	0501065200	SOCKET FASTENER SUPPORT		01
09	0503030432	FERTILIZER SOCKET		01
10	0503010237	3/8" X 1" BOLT		01
11	0503010025	3/8 SPRING WASHER		01
12	0503010026	3/8" NUT		01



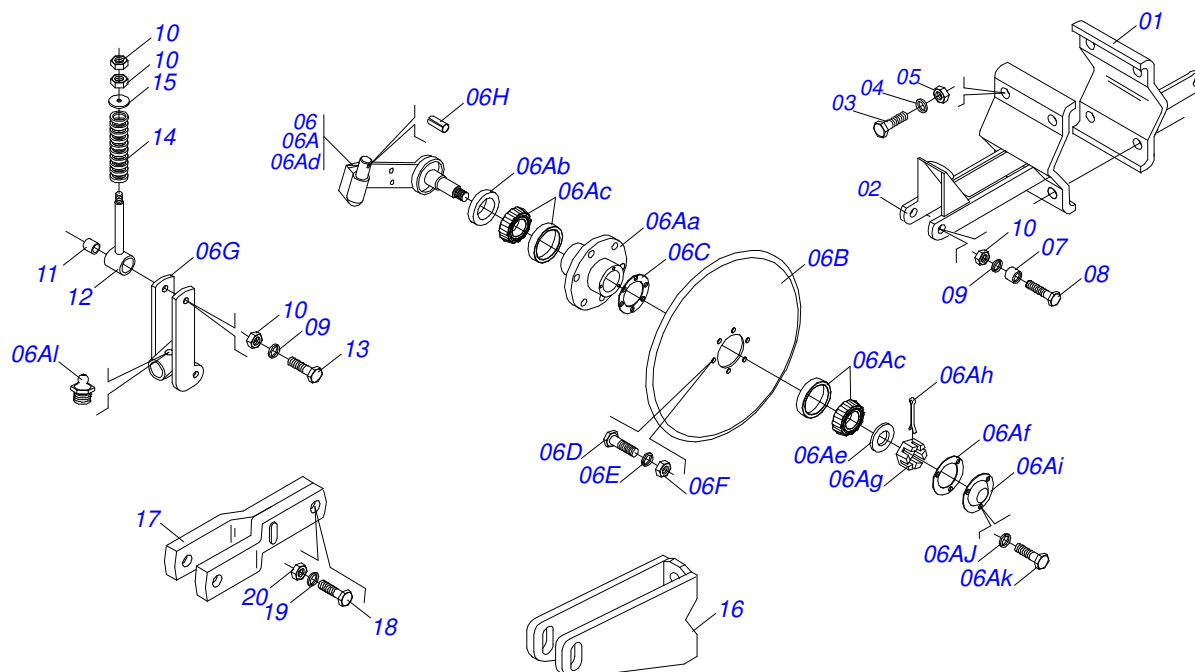
Item	Code	Description	See page	QT
00	0501052390	13" X 13" DOUBLE DISC ASSY		
01	0502011273	DOUBLE DISC HUB		02
02	0503010276	6206 BALL BEARING		02
03	0501011832	HUB DOUBLE DISC PASSANG AXLE		02
04	0503010526	3011 SEAL RING		02
05	0503010525	00797-BA SEAL		02
06	0603020019	D272 PLAIN COULTER BLADE		02
07	0503010546	5/16" X 7/8" BOLT		12
08	0503010337	NUT 5/16 UNC G.5 ZN		12
09	0502011176	SEED DOUB-DISC SUPPORT		01
10	0511017958	5/8" X 1.9" RIGHT BOLT		01
11	0511017959	5/8" X 1.9" LEFT BOLT		01
12	0503030142	3.27" X 2.44" X 0.02" JOINT		02
13	0502020599	COVER		02
14	0503010143	1/4" SPRING WASHER		06
15	0503014891	1/4" X 3/4" BOLT		06
16	0503010002	1800 GREASE FITTING		02
17	0501017541	RIGHT DOUBLE DISC SCRAPER		01
18	0501017542	LH DOUBLE DISC SCRAPER		01
19	0503010849	3/8" X 1-1/2" BOLT		01
20	0501010984	10,50 X 27 X 3,00 FLAT WASHER		02
21	0503010025	3/8 SPRING WASHER		01
22	0503010026	3/8" NUT		01
23	0503030481	SEED SOCKET		01
24	0511015098	FLAT WASHER		02
25	0503010850	BOLT 7/16 UNC X 3 CS G.5 ZN		01
26	0501010163	5/8" X 4-1/2" BOLT		01
27	0503011446	SPRING WASHER		01
28	0503010244	7/16" NUT		01
29	0503011445	SPRING WASHER		01



Item	Code	Description	See page	QT
30	0503010013	5/8" UNC G.5 ZN HEX NUT		01



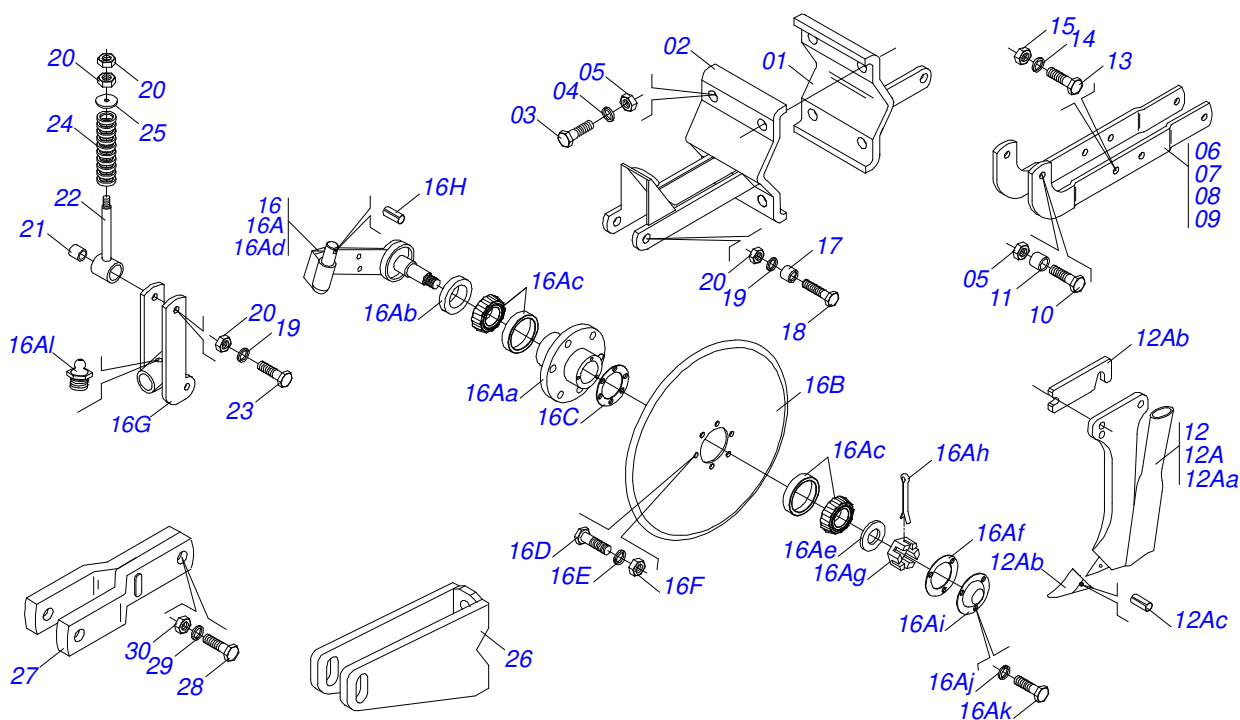
Item	Code	Description	See page	QT
01	0503031508	COVER GREEN BEAM SEED YELLOW		01
02	0503010240	BOLT		04
03	0501010694	FLAT WASHER 32,50 X 75 X 4,75		04
04	0503010179	LOCK WASHER 5/16 ZN 1K01528		04
05	0503010337	NUT 5/16 UNC G.5 ZN		04
06	0503034131	DEFLECTOR		01
07	0571018536	HEX PRISONER		01
08	0503010025	3/8 SPRING WASHER		01
09	0503010209	3/8" UNC BUTTERFLY NUT		01
10	0511068202	SEED DISC LOWER TRAIL		01
11	0502020583	PEANUT SEED DISC 20		01
12	0503030381	SEED DISTRIBUTOR BOX		02
13	0503030377	SCRAPER		02
14	0503010675	5/16" X 2.1/4" BOLT		02
15	0503010337	NUT 5/16 UNC G.5 ZN		02
16	0511068216	SEED BOX SUPPORT		01
17	0521010536	0.3" X 3.8" COUPLING SHAFT		01
18	0503010140	1/8" X 3/4" SPLIT PIN		01
19	0502011419	40Z CONICAL GEAR		01
20	0511018700	AXLE		01
21	0503010002	1800 GREASE FITTING		01
22	0501110507	FIXING BASE		01
23	0503810849	3/8 UNC X 1.1/2 C S G.5 SA BOLT		01
24	0503011443	SPRING WASHER 3/8"		01
25	0503010026	3/8" NUT		01
26	0503030083	3/8" X 3/8" X 1.6" STUD		01
27	0503010025	3/8 SPRING WASHER		01
28	0503010209	3/8" UNC BUTTERFLY NUT		01
29	0501058009	FAST LOCK ASSY		01



Item	Code	Description	See page	QT
01	0501067681	SUPPORT FIXER SPINDLE		01
02	0501067683	ARM FIXER DISC BLADE		01
03	0503010762	SCREW 5/8 UNC X 3.1/2 CS G.5 ZN		04
04	0503010027	5/8 SPRING WASHER		04
05	0503010013	5/8" UNC G.5 ZN HEX NUT		04
06	0501051184	DISC BLADE ARM ASSY		01
06A	0501050132	DISC BLADE ARM ASSY WITH HUB		01
06Aa	0502010231	DISC BLADE HUB		01
06Ab	0503010213	SEAL 30205		01
06Ac	0503010215	30205 BEARING		02
06Ad	0501065137	DISC BLADE ARM		01
06Ae	0501010941	FLAT WASHER		01
06Af	0503030272	3,1" X 2,1" X 0,01" JOINT		01
06Ag	0503030282	3/4" CASTLE NUT		01
06Ah	0503010362	1/8" X 1.1/4" SPLIT PIN		01
06Ai	0501011061	DISC HUB COVER		01
06Aj	0503010143	1/4" SPRING WASHER		03
06Ak	0503010298	1/4" X 1/2" BOLT		03
06AI	0503010002	1800 GREASE FITTING		02
06B	0603021056	14" X 0.1" PLAIN COULTER BLADE		01
06C	0501013839	WASHER		01
06D	0503010365	BOLT 5/16 UNC X 1.1/4 C S G.5 ZN		06
06E	0503010179	LOCK WASHER 5/16 ZN 1K01528		06
06F	0503010337	NUT 5/16 UNC G.5 ZN		06
06G	0501067682	DISC BLADE REGULATOR		01
06H	0503010301	0.3" X 1.8" SPRING PIN		01
07	0511017079	0.77 X 0.98 X 2.91 BUSHING		01
08	0503011084	3/4" X 5" BOLT		01
09	0503010023	3/4" SPRING WASHER		01
10	0503010014	3/4" ZN G.5 (HEAVY) UNC HEX NUT		01

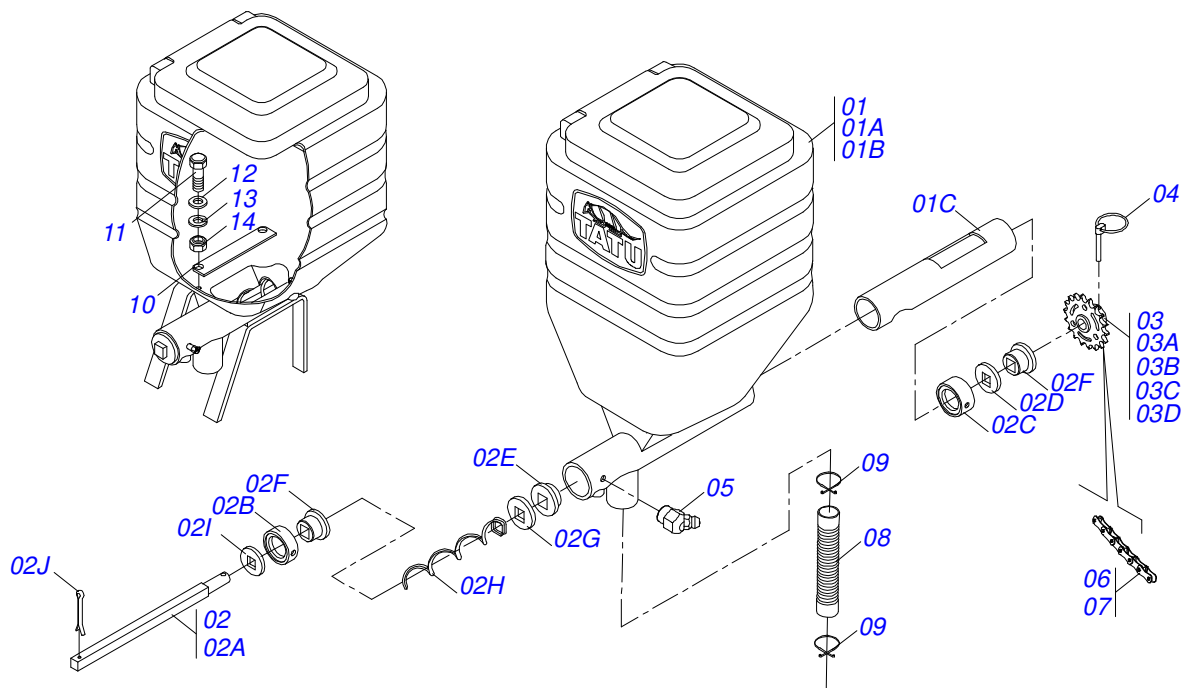


Item	Code	Description	See page	QT
11	0511017080	0.77" X 0.98" X 2.13" BUSHING		01
12	0501062194	REGULATOR SPRING		01
13	0503010797	3/4" X 4" BOLT		01
14	0503030110	2.3"X 5.5"X 0.4" COMPRESSION SPRING		01
15	0511011423	SPRING GUIDE BUSHING		01
16	0501067684	HITCH		02
17	0501067680	DRAWBAR SUPPLEMENT		01
18	0501011547	1" X 4-1/2" BOLT		01
19	0503010012	1" SPRING WASHER		01
20	0501010059	1.5/8 NUT		01



Item	Code	Description	See page	QT
00	0501046962	SEMI-DIRECTO ASSY DISC BL. SPINDLE		02
00A	0501046963	SEMI-DIRECTO ASSY DISC BL. SPINDLE		03
00B	0501046964	SEMI-DIRECTO ASSY DISC BL. SPINDLE		04
00C	0501046965	SEMI-DIRECTO ASSY DISC BL. SPINDLE		05
00D	0501046966	SEMI-DIRECTO ASSY DISC BL. SPINDLE		06
00E	0501046882	SEMI-DIRECTO ROW ASSY SET		01
01	0501067681	SUPPORT FIXER SPINDLE		01
02	0501067683	ARM FIXER DISC BLADE		01
03	0503010762	SCREW 5/8 UNC X 3.1/2 CS G.5 ZN		04
04	0503010027	5/8 SPRING WASHER		04
05	0503010013	5/8" UNC G.5 ZN HEX NUT		08
06	0511017049	RH SCARIFIER SPINDLE SUPPORT		01
07	0511016989	RH SCARIFIER SPINDLE SUPPORT		01
08	0511017050	LR SCARIFIER SPINDLE SUPPORT		01
09	0511016990	LR SCARIFIER SPINDLE SUPPORT		01
10	0511017958	5/8" X 1.9" RIGHT BOLT		02
11	0521010482	ARTICULAT SLEEVE		02
12	0501050843	SCARIFIER SPINDLE ASSY		01
12.	0501110263	FURROWER ARM		01
12A	0501110027	SCARIFIER SPINDLE WITH POINT		01
12Aa	0501067536	SCARIFIER SPINDLE WITH SOCKET		01
12Ab	0502070061	POINT SUBSOILER		01
12Ac	0503011373	0.4" X 1.1" SPRING PIN		01
12B	0511018662	SPACING PLATE		04
13	0503010547	1/2" X 4" BOLT		02
14	0503010019	1/2" SPRING WASHER		02
15	0503010060	1/2 UNC G.5 ZN HEX NUT		02
16	0501051184	DISC BLADE ARM ASSY		01
16A	0501050132	DISC BLADE ARM ASSY WITH HUB		01
16Aa	0502011278	BALDE DISC HUB		01

Item	Code	Description	See page	QT
16Ab	0503010213	SEAL 30205		01
16Ac	0503010215	30205 BEARING		02
16Ad	0501065137	DISC BLADE ARM		01
16Ae	0501010941	FLAT WASHER		01
16Af	0503030272	3,1" X 2,1" X 0,01" JOINT		01
16Ag	0503030282	3/4" CASTLE NUT		01
16Ah	0503010362	1/8" X 1.1/4" SPLIT PIN		01
16Ai	0501011061	DISC HUB COVER		01
16Aj	0503010143	1/4" SPRING WASHER		03
16AK	0503010298	1/4" X 1/2" BOLT		03
16AI	0503010002	1800 GREASE FITTING		01
16B	0603021056	14" X 0.1" PLAIN COULTER BLADE		01
16C	0501013839	WASHER		01
16D	0503010365	BOLT 5/16 UNC X 1.1/4 C S G.5 ZN		06
16E	0503010179	LOCK WASHER 5/16 ZN 1K01528		06
16F	0503010337	NUT 5/16 UNC G.5 ZN		06
16G	0501067682	DISC BLADE REGULATOR		01
16H	0503010301	0.3" X 1.8" SPRING PIN		01
17	0511017079	0.77 X 0.98 X 2.91 BUSHING		01
18	0503011084	3/4" X 5" BOLT		01
19	0503010023	3/4" SPRING WASHER		02
20	0503010014	3/4" ZN G.5 (HEAVY) UNC HEX NUT		04
21	0511017080	0.77" X 0.98" X 2.13" BUSHING		01
22	0501062194	REGULATOR SPRING		01
23	0503010797	3/4" X 4" BOLT		10
24	0503030110	2.3"X 5.5"X 0.4" COMPRESSION SPRING		01
25	0511011423	SPRING GUIDE BUSHING		01
26	0501067684	HITCH		02
27	0501067680	DRAWBAR SUPPLEMENT		01
28	0501011547	1" X 4-1/2" BOLT		01
29	0503010012	1" SPRING WASHER		01
30	0501010059	1.5/8 NUT		01



Item	Code	Description	See page	QT
00	0501051765	BOX FERTILIZER		01
01	0503031260	DEPOSIT FERTILIZER WITH TUBE PVC		
01A	0501110281	DEPOSIT FERTILIZER WITH TUBE PVC		01
01B	0503031264	SEED/FERTILIZER BOX COVER		01
01C	0521010945	FERTILIZER DISTRIBUTOR TUBE		01
02	0501053058	DISTRIBUTOR FERTILIZER AXLE ASSY		01
02A	0511010388	DISTRIBUTOR FERTILIZER AXLE		01
02B	0521010946	DISTRIBUTOR FERTIL LARGER SLEEVE		01
02C	0521010947	BUJE SMALLER DISTRIBUIDOR ABONO		01
02D	0501010637	FLAT WASHER		01
02E	0503030303	SUPPORT WASHER		01
02F	0503030275	AGRICULTURAL BEARING		02
02G	0501013774	GREASE SEAL		01
02H	0503031164	RIGHT HELICOID CONDUCTOR		01
02I	0511017137	FLAT WASHER		01
02J	0503010571	1/4" X 1.1/2" SPLIT PIN		01
03	0502011335	14Z GEAR		01
03A	0502011342	16Z GEAR		01
03B	0502011346	18Z GEAR		01
03C	0502011353	22Z GEAR		01
03D	0502011359	30Z GEAR		01
04	0503030085	LOCK PIN		01
05	0503012102	CREASE FITTING		02
06	0503010304	50-1 X 85 CHAIN LINK + MENDING		01
07	0503010912	50-1 X 97 CHAIN LINK + MENDING		01
08	0503030645	2 X 2 X 225 HOSE		01
09	0503031076	2" HOSE CLAMP		02
10	0511017073	12,01 X 2" X 0,25" PLATE		02
11	0503010358	5/16" X 5/8" BOLT		04
12	0501010694	FLAT WASHER 32,50 X 75 X 4,75		04

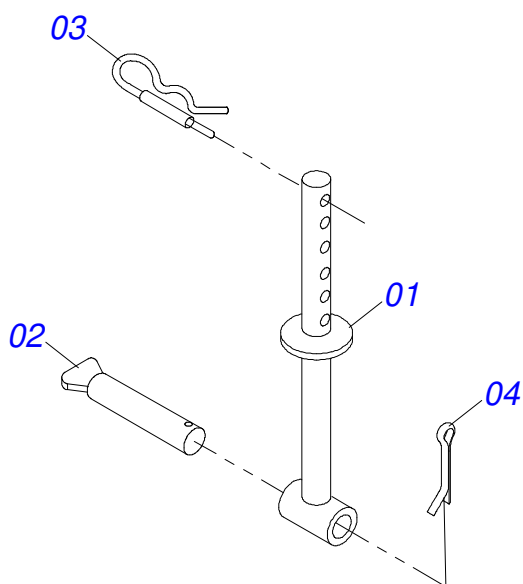


FERTILIZER SYSTEM

0909090999

Item	Code	Description	See page	QT
13	0503010179	LOCK WASHER 5/16 ZN 1K01528		04
14	0503010337	NUT 5/16 UNC G.5 ZN		04

ADJUSTMENT BAR



Item	Code	Description	See page	QT
01	0501065302	ADJUSTMENT BAR		01
02	0501010525	7/16" X 3.23" PIN		01
03	0501050031	SUPPORT LOCK		01
04	0503010300	5/32" X 1" SPLIT PIN		01



MARCHESAN

Technical Publications | Elaboration and Revision

ALESSANDRA PATRICIA KAWAHARA CARRILI

www.marchesan.com.br

