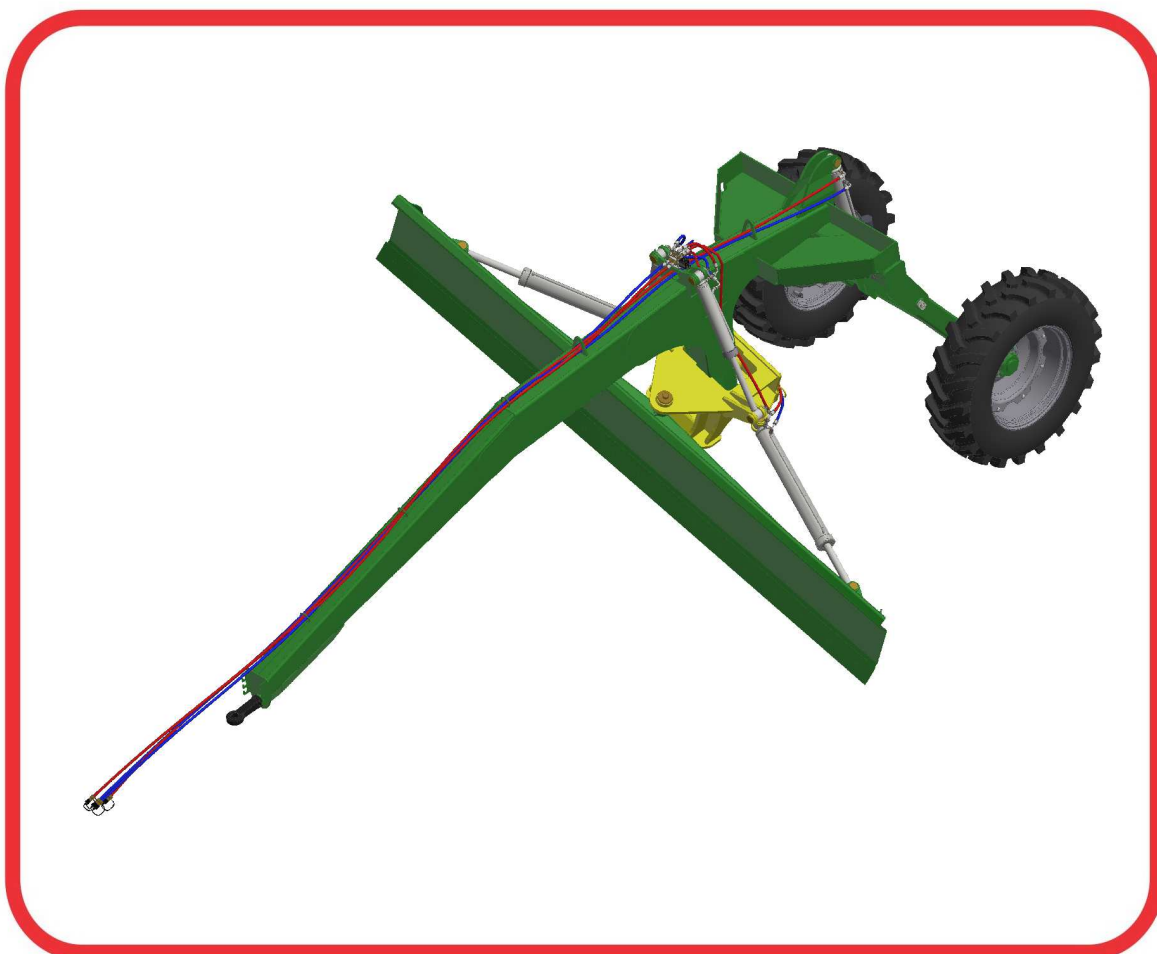


PARTS CATALOG

AUXILIARY PRODUCTS

LTA 5000S VEH

Code: 0501092511



Series: S-0518

Rev.: 00

Date Rev.: ABRIL/2019

ORIGINAL PARTS
TATU



PRODUCTS

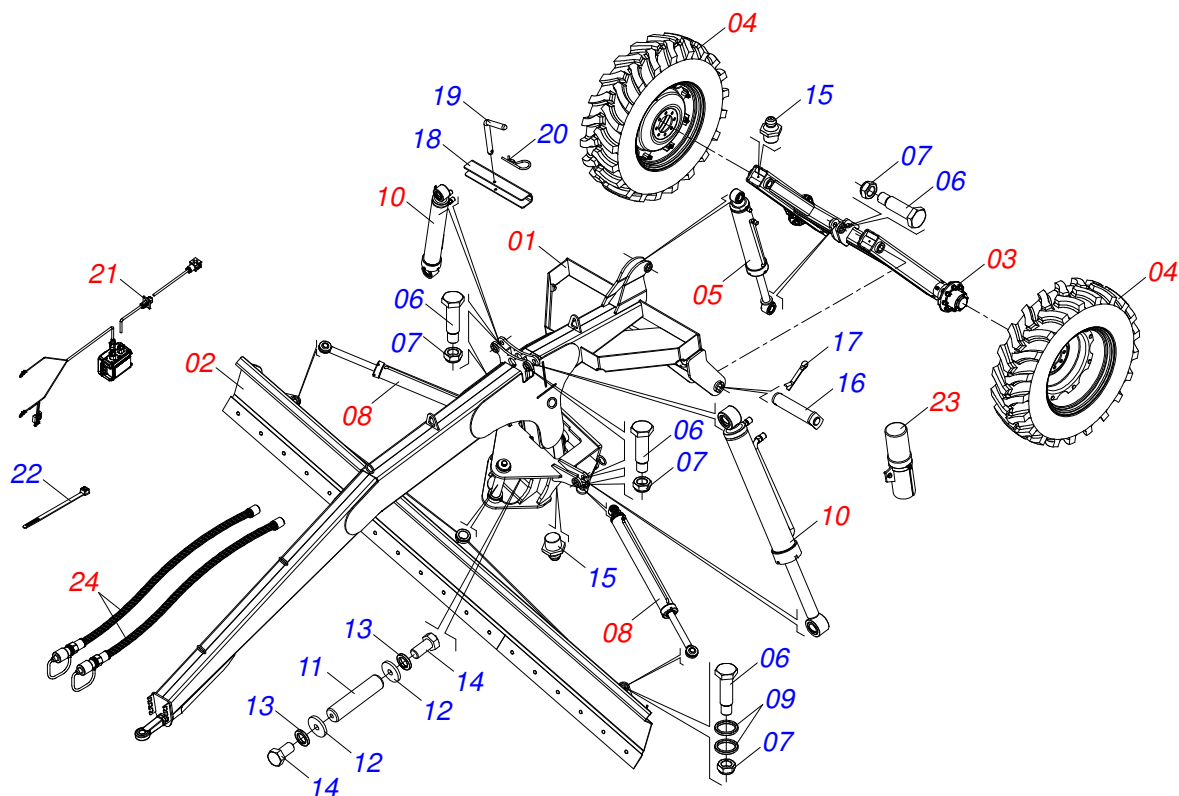
| Code | Description |
|------------|-----------------------|
| 0106060049 | LTA 5000 S VEH S-0518 |

ATTENTION: **IMPORTANT**

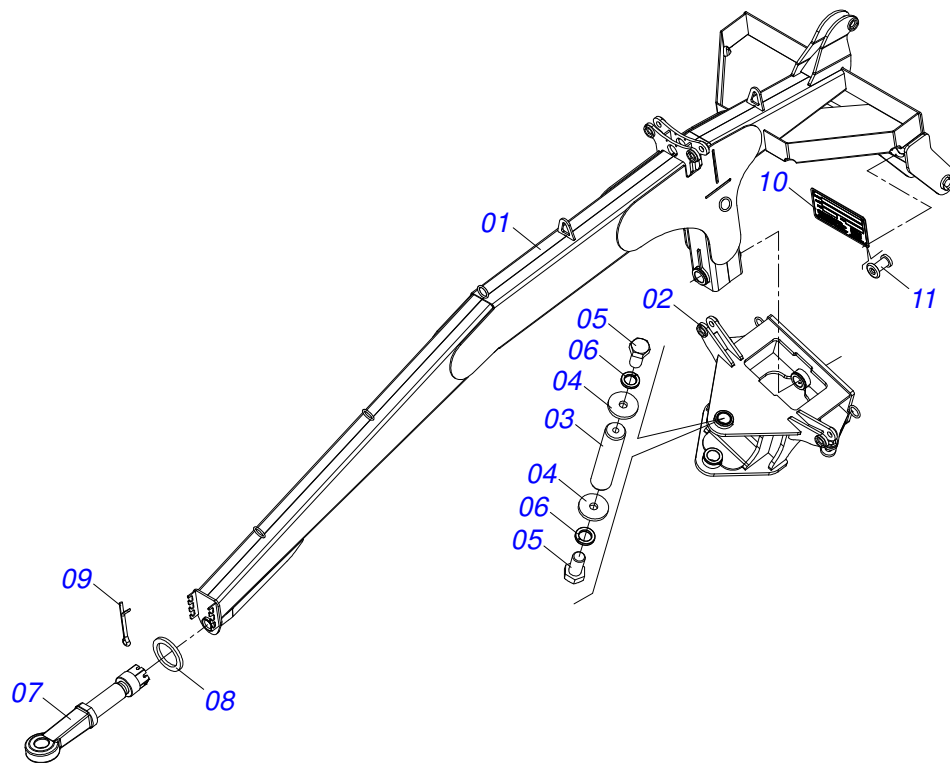
MARCHESAN S/A RESERVES THE RIGHT AT ANY TIME TO MAKE IMPROVEMENTS IN THE DESIGN, MATERIAL OR SPECIFICATIONS OF MACHINERY, EQUIPMENT OR PARTS WITHOUT THEREBY BECOMING LIABLE TO MAKE SIMILAR CHANGES IN MACHINERY, EQUIPMENT OR PARTS PREVIOUSLY SOLD.

INDEX

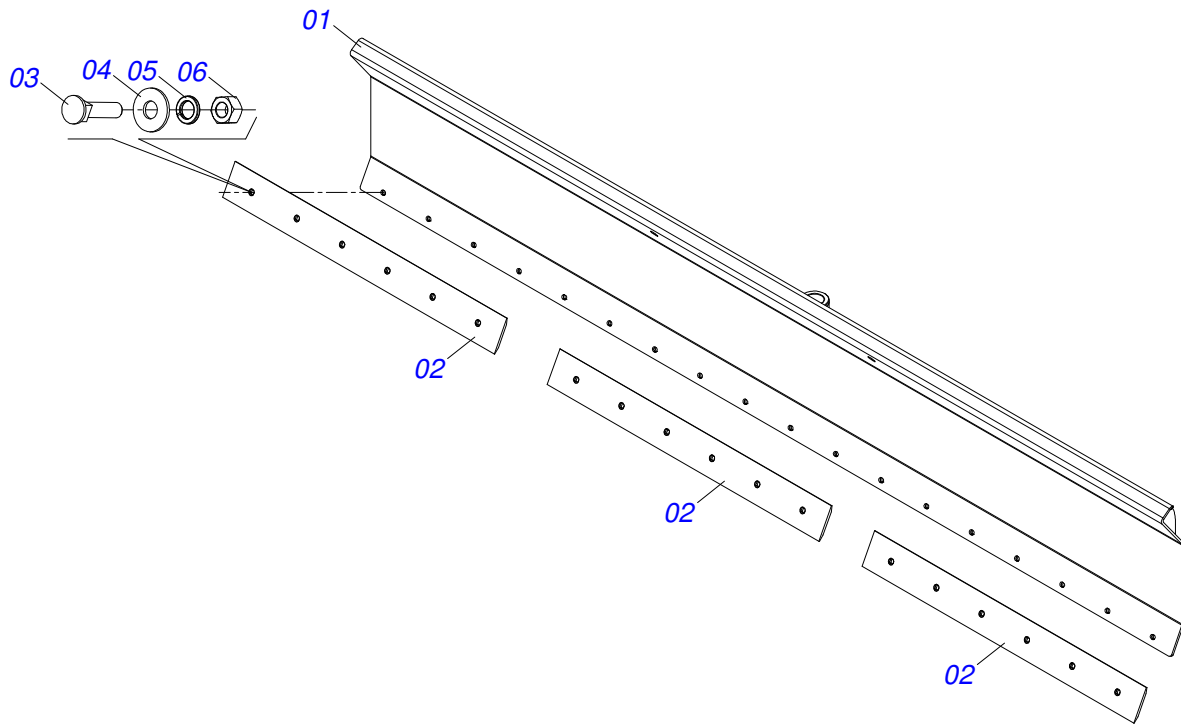
| | | | |
|------------|--|-------|----|
| 0909095231 | LTA 5000S VEH | | 1 |
| 0521045643 | ASSY FRAME | | 2 |
| 0521045644 | DOZER BLADE ASSY | | 3 |
| 0521045486 | WHEELED WITHOUT TIRE | | 4 |
| 0511050710 | WHEELED WITHOUT TIRE (430) | | 5 |
| 0511057177 | WHEEL AND TIRE 14,9 X 28 8 CANVAS | | 6 |
| 0521045491 | HYDRAULIC CYLINDER 44,45 X 101,60 X 711 X 425 | | 7 |
| 0521045490 | HYDRAULIC CYLINDER 50,80 X 101,60 X 1130 X 813 | | 8 |
| 0511058457 | HYDRAULIC CYLINDER 44,45 X 76,20 X 668 X 418 | | 9 |
| 0521051828 | KIT ELECTRICAL | | 10 |
| 0521051564 | ASSY PORT MANUAL | | 11 |
| 0909095232 | HYDRAULIC CIRCUIT | | 12 |
| 0521051555 | SOLENOID VALVE ASSY | | 13 |
| 0501053834 | MALE QUICK COUPLING AGRICULTURAL WITH COVER - 1/2 NPT | | 14 |



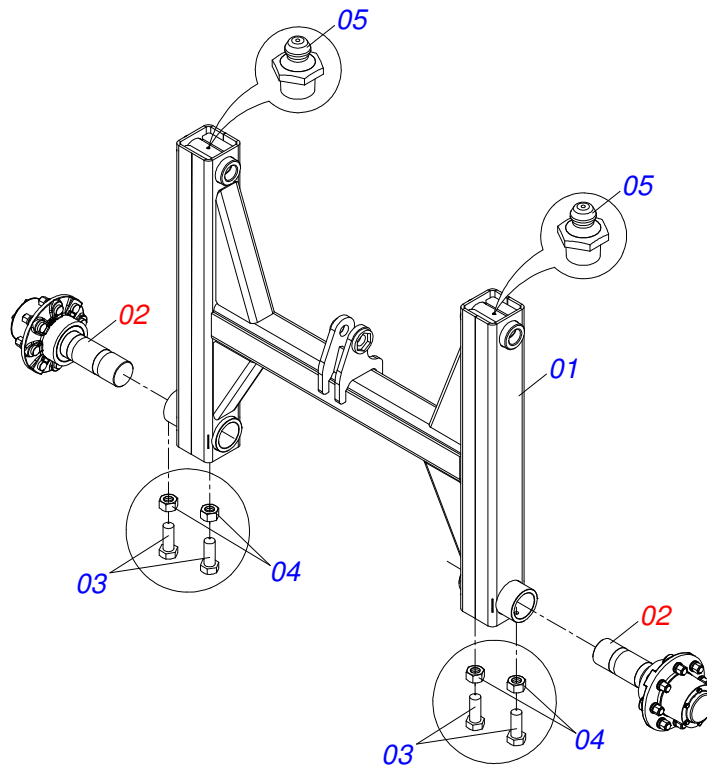
| Item | Code | Description | QT |
|------|------------|--|----|
| 01 | 0521045643 | ASSY FRAME | 01 |
| 02 | 0521045644 | DOZER BLADE ASSY | 01 |
| 03 | 0521045486 | WHEELED WITHOUT TIRE | 01 |
| 04 | 0511057177 | WHEEL AND TIRE 14,9 X 28 8 CANVAS | 02 |
| 05 | 0521045491 | HYDRAULIC CYLINDER 44,45 X 101,60 X 711 X 425 | 01 |
| 06 | 0571018948 | 1.1/4 UNF X 112 BOLT | 10 |
| 07 | 0503010044 | 1-1/4" SELF-ADJUSTING NUT | 10 |
| 08 | 0521045490 | HYDRAULIC CYLINDER 50,80 X 101,60 X 1130 X 813 | 02 |
| 09 | 0571019268 | FLAT WASHER 38,50 X 50 X 6,30 | 04 |
| 10 | 0511058457 | HYDRAULIC CYLINDER 44,45 X 76,20 X 668 X 418 | 02 |
| 11 | 0541011899 | 2.9" X 20" COUPLING SHAFT | 01 |
| 12 | 0511013244 | FLAT WASHER | 02 |
| 13 | 0503010012 | 1" SPRING WASHER | 02 |
| 14 | 0503011250 | 1" X 2" BOLT | 02 |
| 15 | 0503010002 | 1800 GREASE FITTING | 06 |
| 16 | 0521063252 | 50,85 X 332 AXLE | 02 |
| 17 | 0503010073 | 3/8 X 3-1/2 COTTERPIN | 02 |
| 18 | 0571018950 | LOCK TRANSPORT 430 X 47 | 01 |
| 19 | 0541016844 | FIXER LOCK | 01 |
| 20 | 0503030285 | HAIR PIN | 01 |
| 21 | 0521051828 | KIT ELECTRICAL | 01 |
| 22 | 0503013100 | NYLON CLAMP | 10 |
| 23 | 0521051564 | ASSY PORT MANUAL | 01 |
| 24 | 0909095232 | HYDRAULIC CIRCUIT | 01 |



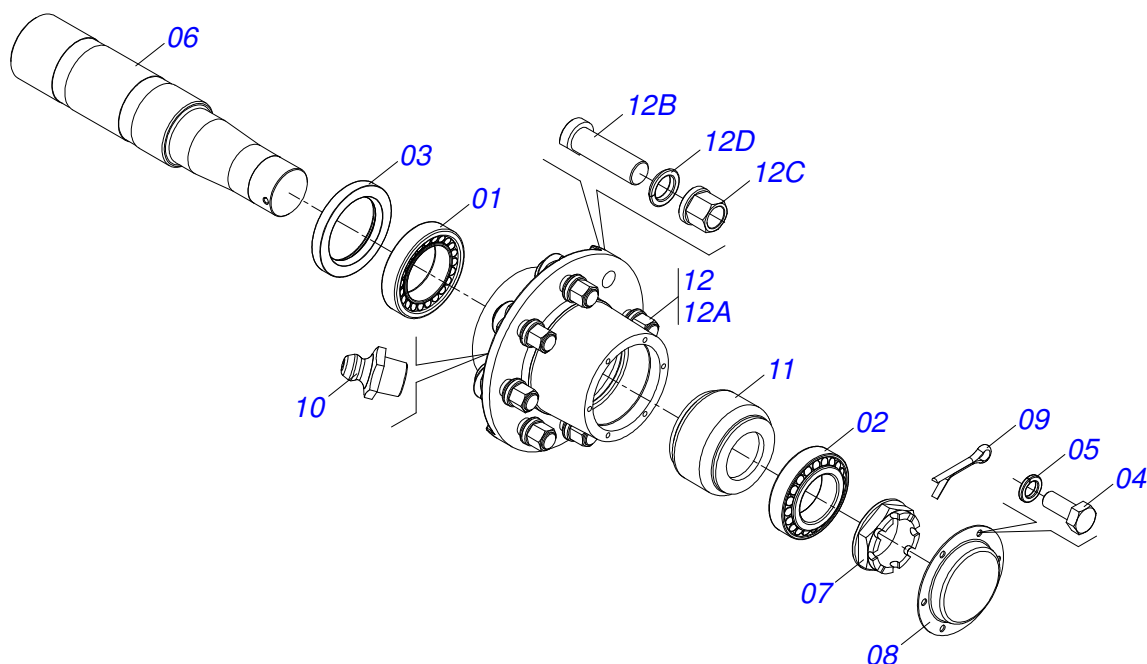
| Item | Code | Description | QT |
|------|------------|---------------------------|----|
| 01 | 0521065968 | FRAME LTA 5000 S | 01 |
| 02 | 0521065915 | FIXER SUPPORT DOZER BLADE | 01 |
| 03 | 0541011899 | 2.9" X 20" COUPLING SHAFT | 01 |
| 04 | 0511013244 | FLAT WASHER | 02 |
| 05 | 0503011250 | 1" X 2" BOLT | 02 |
| 06 | 0503010012 | 1" SPRING WASHER | 02 |
| 07 | 0503061649 | PONTEIRA HITCH SILPA | 01 |
| 08 | 0511019776 | FLAT WASHER | 01 |
| 09 | 0503012213 | 1/4" X 4 COTTERPIN | 01 |
| 10 | 0503034003 | ALUMINUM ID TAG | 01 |
| 11 | 0503010001 | RIVET POP | 04 |



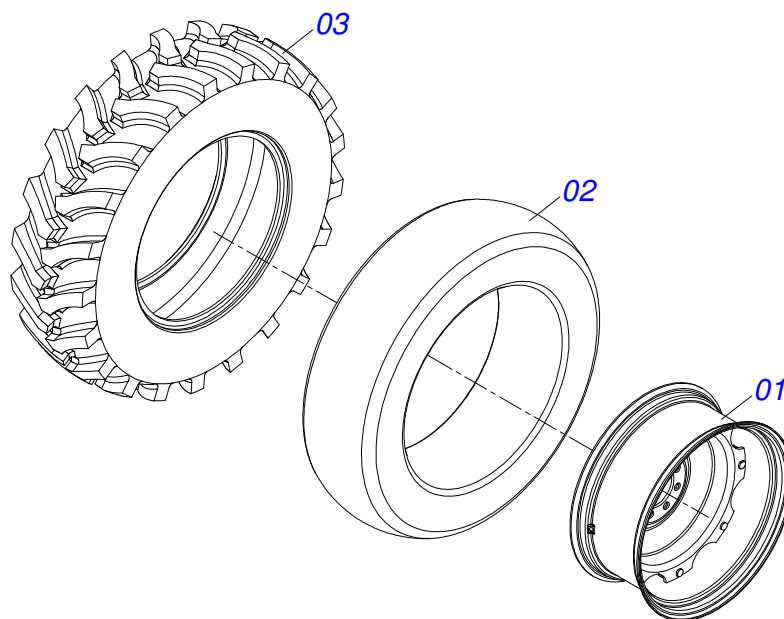
| Item | Code | Description | QT |
|------|------------|------------------------|----|
| 01 | 0521065905 | DOZER BLADE 4480 X 722 | 01 |
| 02 | 0571018949 | SCRAPER 1500 X 6 X 1/2 | 03 |
| 03 | 0501012240 | 5/8" X 2-1/2" BOLT | 18 |
| 04 | 0571010265 | FLAT WASHER | 18 |
| 05 | 0503010027 | SPRING WASHER | 18 |
| 06 | 0503010013 | 5/8" NUT | 18 |



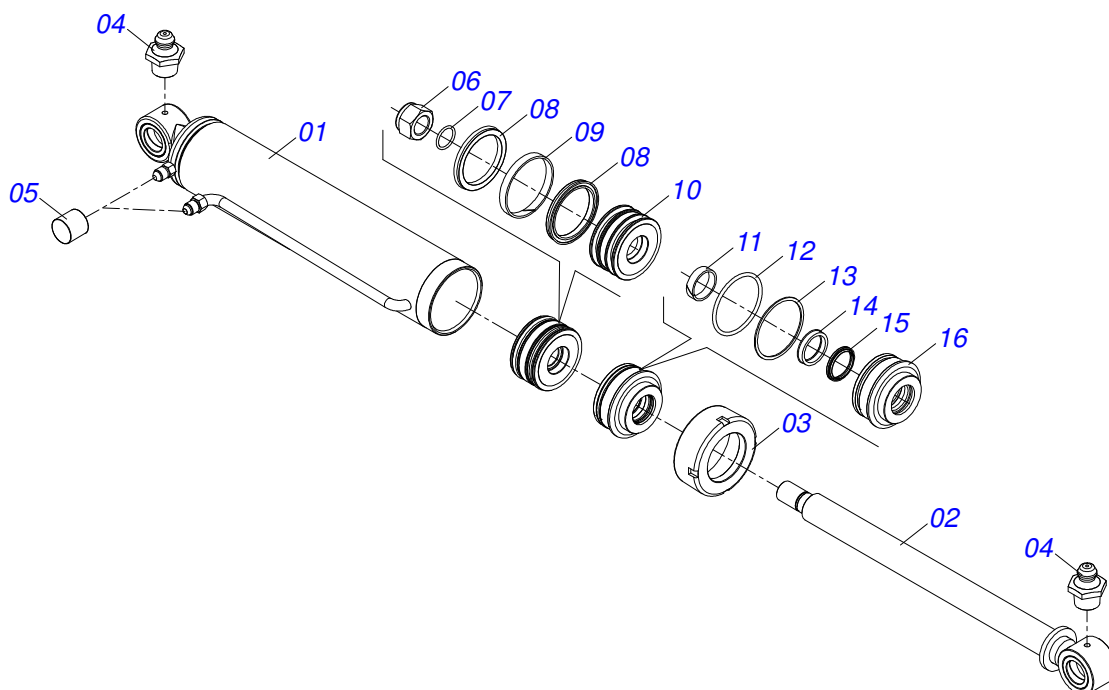
| Item | Code | Description | QT |
|------|------------|----------------------------|----|
| 01 | 0521065912 | WHEEL LTA | 01 |
| 02 | 0511050710 | WHEELED WITHOUT TIRE (430) | 02 |
| 03 | 0571018726 | BOLT 5/8 UNC X 1.3/4 CS | 04 |
| 04 | 0503010013 | 5/8" NUT | 04 |
| 05 | 0503010002 | 1800 GREASE FITTING | 02 |



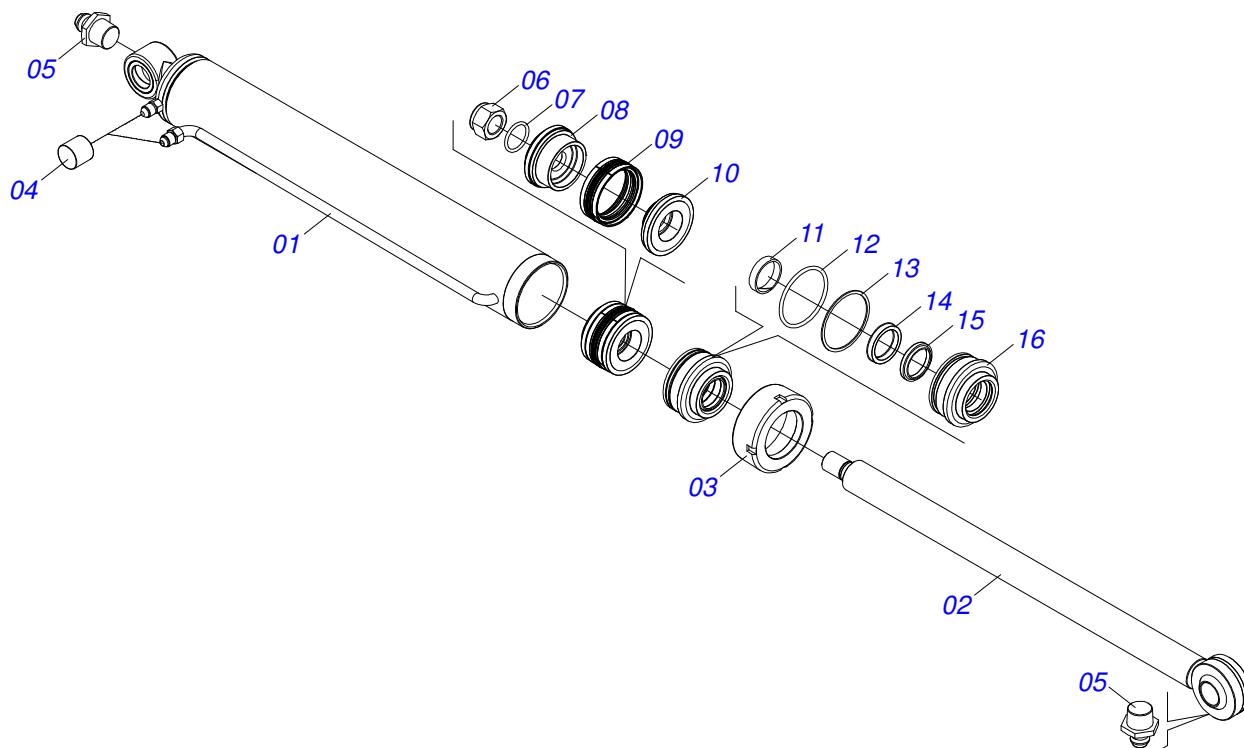
| Item | Code | Description | QT |
|------|------------|----------------------------|----|
| 01 | 0503010059 | 33287/33462 ROLLER BEARING | 01 |
| 02 | 0503010007 | 3982/3920 ROLLER BEARING | 01 |
| 03 | 0503010050 | SEAL 00085-B | 01 |
| 04 | 0503010240 | 5/16" X 3/4" BOLT | 06 |
| 05 | 0503011444 | SPRING WASHER | 06 |
| 06 | 0561018159 | POINT AXIS 88,80 X 430 | 01 |
| 07 | 0502040080 | 2.1/2" UM FLANGE NUT | 01 |
| 08 | 0541013225 | WHEEL BOX COVER | 01 |
| 09 | 0503012231 | 1/4" X 3" COTTERPIN | 01 |
| 10 | 0503010002 | 1800 GREASE FITTING | 01 |
| 11 | 1882970002 | GREASE SOAP | 00 |
| 12 | 0501110751 | HUB AND SPINDLE WITH BOLT | 01 |
| 12A | 0502040522 | HUB CARRYING-WHEELS | 01 |
| 12B | 0503011339 | M22 X 1,5 X 72 BOLT | 08 |
| 12C | 0503011341 | M22 X 0.6" NUT GR8 NUT | 08 |
| 12D | 0503011340 | SPHERICAL SPRING WASHER | 08 |



| Item | Code | Description | QT |
|------|------------|-----------------------|----|
| 01 | 0511058891 | WHEEL W-12 X 28 (LTA) | 01 |
| 02 | 0503011317 | INNER TIRE | 01 |
| 03 | 0503011316 | TIRE 8 | 01 |

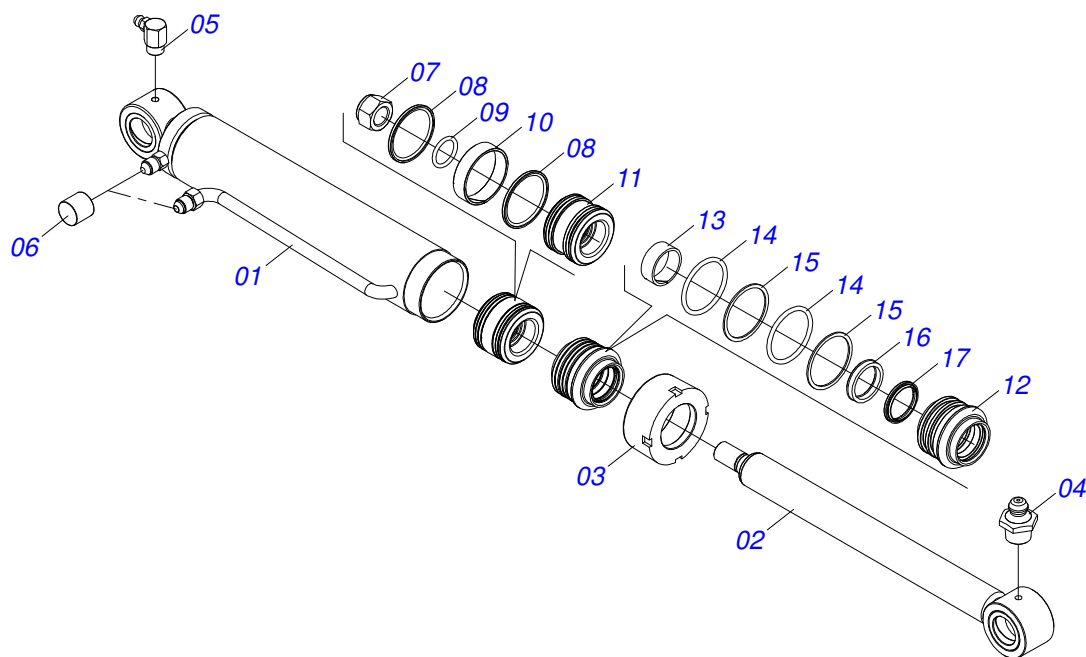


| Item | Code | Description | QT |
|------|------------|---------------------------|----|
| 01 | 0521065925 | CASE 101,60 X 532 | 01 |
| 02 | 0521065969 | TURNBUCLE 44,45 X 602 | 01 |
| 03 | 0502010017 | 4" HEAD | 01 |
| 04 | 0503010002 | 1800 GREASE FITTING | 02 |
| 05 | 0503030385 | CYLINDER PLUG N-002 | 02 |
| 06 | 0503010817 | 1-1/4" SELF-ADJUSTING NUT | 01 |
| 07 | 0503010345 | 2-218 N 3006-9B O'RING | 01 |
| 08 | 0503010043 | PACKING 3750-3250 | 02 |
| 09 | 0503010994 | W2-4000-500 PK RING G.E | 01 |
| 10 | 0571015240 | PISTON | 01 |
| 11 | 0503010949 | W2-2000-500 PK RING G.E | 01 |
| 12 | 0503010338 | 2-342 N 3006-9B O'RING | 01 |
| 13 | 0503011061 | 8-342 BACK-UP RING | 01 |
| 14 | 0503010990 | GASKET | 01 |
| 15 | 0503010761 | D-1750 SCRAPER RING | 01 |
| 16 | 0571015239 | RING SUPPORT | 01 |

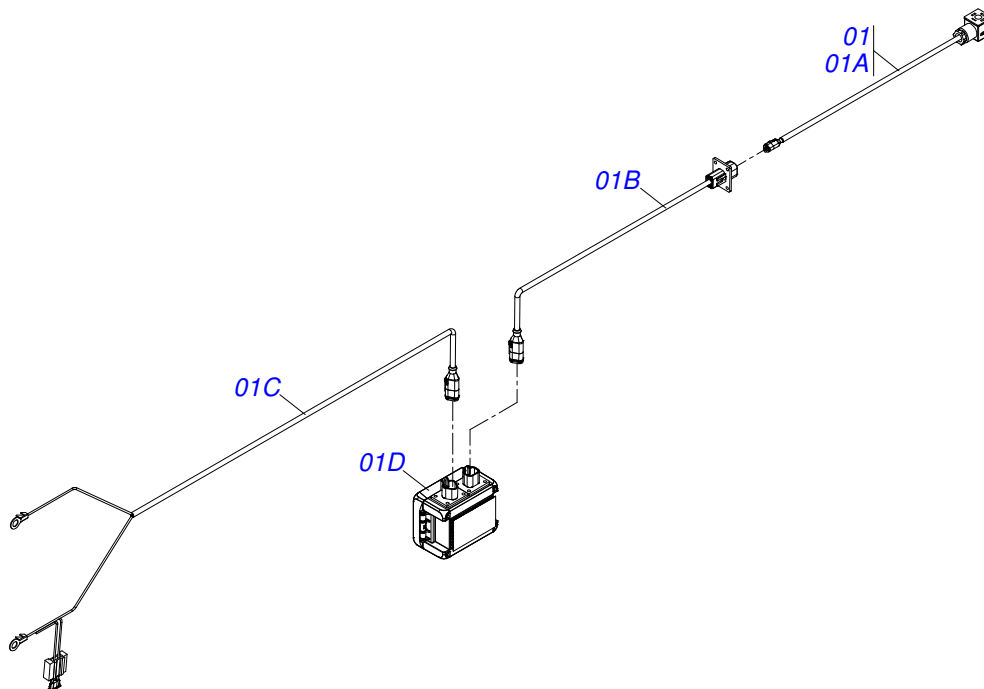


| Item | Code | Description | QT |
|------|------------|---------------------------|----|
| 01 | 0521065923 | CASE 101,6 X 930 | 01 |
| 02 | 0521065924 | TURNBUCLE 63,50 X 1004 | 01 |
| 03 | 0502010017 | 4" HEAD | 01 |
| 04 | 0503030385 | CYLINDER PLUG N-002 | 02 |
| 05 | 0503010002 | 1800 GREASE FITTING | 02 |
| 06 | 0503010817 | 1-1/4" SELF-ADJUSTING NUT | 01 |
| 07 | 0503010345 | 2-218 N 3006-9B O'RING | 01 |
| 08 | 0561016387 | PISTON BODY | 01 |
| 09 | 0503015633 | SELEMASTER SEALING | 01 |
| 10 | 0561016389 | PISTON BODY | 01 |
| 11 | 0503015634 | RING SLYDRING | 01 |
| 12 | 0503010338 | 2-342 N 3006-9B O'RING | 01 |
| 13 | 0503011061 | 8-342 BACK-UP RING | 01 |
| 14 | 0503015635 | U-CUP SEAL | 01 |
| 15 | 0503015636 | SCRAPER SEAL | 01 |
| 16 | 0502012642 | SUPPORT OF THE RINGS | 01 |

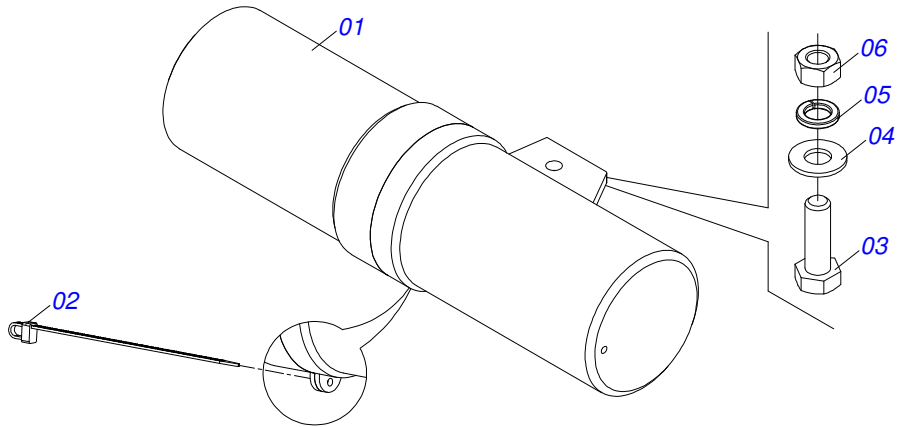
HYDRAULIC CYLINDER 44,45 X 76,20 X 668 X 418



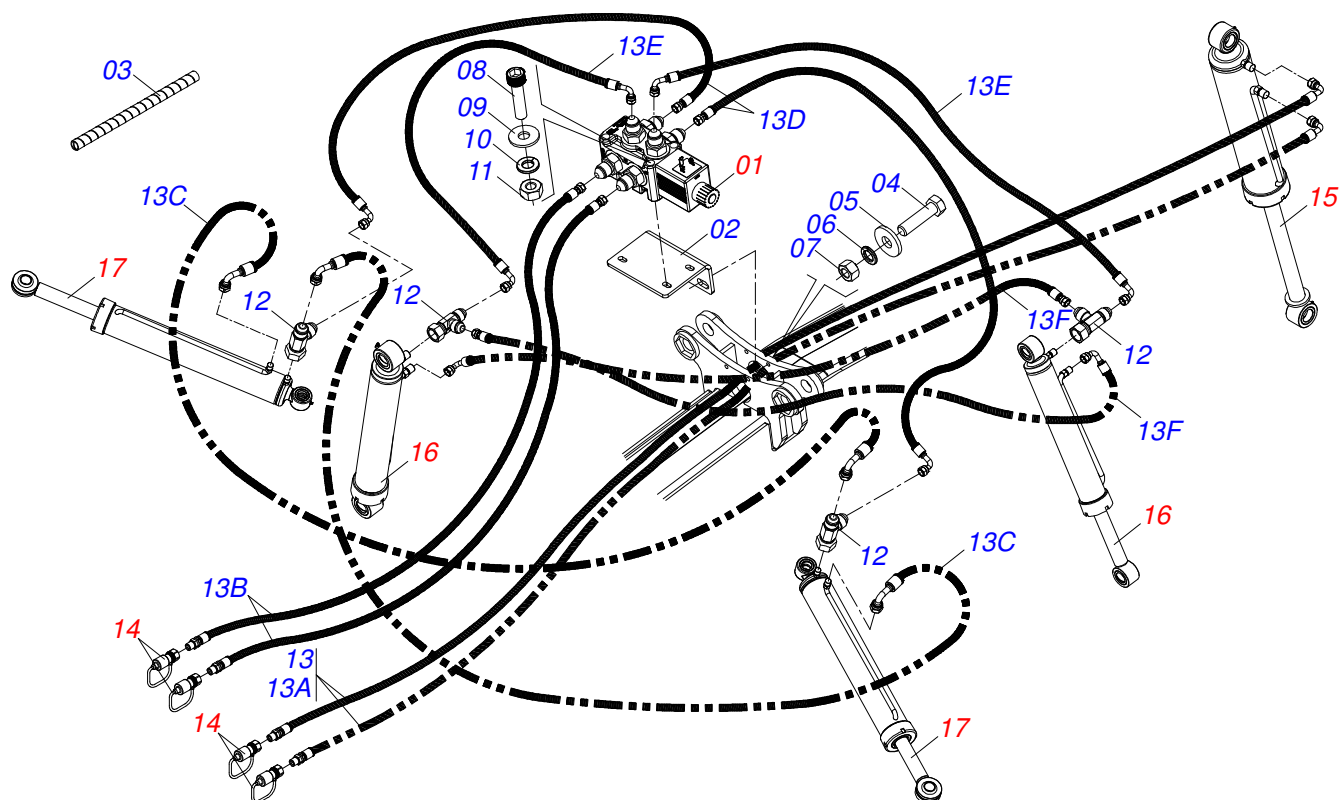
| Item | Code | Description | QT |
|------|------------|------------------------|----|
| 01 | 0511063212 | 3" X 23" CYLINDER CASE | 01 |
| 02 | 0501068711 | 1.7" X 22"TURNBUCLE | 01 |
| 03 | 0502011899 | MOBILE COVER | 01 |
| 04 | 0503010002 | 1800 GREASE FITTING | 01 |
| 05 | 0503010004 | 1890 GREASE FITTING | 01 |
| 06 | 0503030385 | CYLINDER PLUG N-002 | 02 |
| 07 | 0503010063 | 1" SELF-ALIGNING NUT | 01 |
| 08 | 0503018138 | RING BS | 02 |
| 09 | 0503010042 | 2-214 N 3006-9B O'RING | 01 |
| 10 | 0503018140 | RING GUIDE | 01 |
| 11 | 0581010304 | PISTON | 01 |
| 12 | 0581010301 | RING SUPPORT | 01 |
| 13 | 0503017938 | RING GUIDE | 01 |
| 14 | 0503010343 | 2-334 N 3006-9B O'RING | 02 |
| 15 | 0503011059 | 8-334 BACK-UP RING | 02 |
| 16 | 0503017937 | GASKET | 01 |
| 17 | 0503010761 | D-1750 SCRAPER RING | 01 |



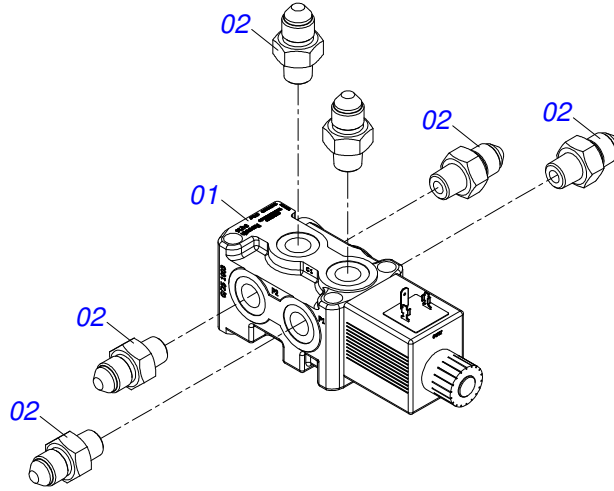
| Item | Code | Description | QT |
|------|------------|----------------|----|
| 01 | 0503062695 | KIT ELECTRICAL | 01 |
| 01A | 0503034553 | CABLE EASEL | 01 |
| 01B | 0503034551 | 2000 CABLE | 01 |
| 01C | 0503034550 | 1700 CABLE | 01 |
| 01D | 0503034554 | CONTROL PANEL | 01 |
| 02 | 0503030804 | ADHESIVE LABEL | 01 |
| 03 | 0503034533 | ADHESIVE LABEL | 01 |



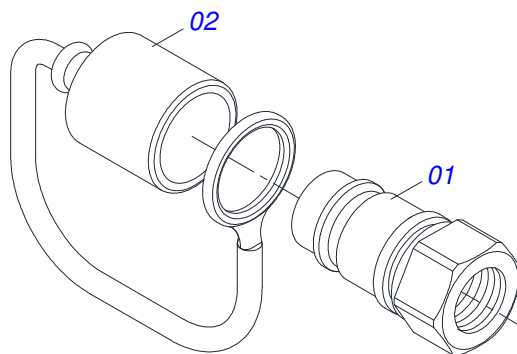
| Item | Code | Description | QT |
|------|------------|-----------------------|----|
| 01 | 0503060100 | HAND BOOK COMPARTMENT | 01 |
| 02 | 0503010267 | NYLON CLAMP | 01 |
| 03 | 0503010363 | 5/16" X 1" BOLT | 01 |
| 04 | 0501010694 | FLAT WASHER | 01 |
| 05 | 0503010179 | SPRING WASHER | 01 |
| 06 | 0503010337 | 5/16" NUT | 01 |



| Item | Code | Description | QT |
|------|------------|---|----|
| 01 | 0521051555 | SOLENOID VALVE ASSY | 01 |
| 02 | 0581015048 | VALVE SUPPORT | 01 |
| 03 | 0501082188 | SPRING PLASTIC PROTECTION HOSE 3/8 X 6000 | 01 |
| 04 | 0503011236 | 3/8" X 2" BOLT | 02 |
| 05 | 0501010984 | FLAT WASHER | 02 |
| 06 | 0503010025 | 3/8 SPRING WASHER | 02 |
| 07 | 0503010026 | 3/8" NUT | 02 |
| 08 | 0503818141 | 1/4" X 2" BOLT | 03 |
| 09 | 0503010305 | FLAT WASHER | 03 |
| 10 | 0503010143 | SPRING WASHER | 03 |
| 11 | 0503010144 | 1/4" NUT | 03 |
| 12 | 0503011968 | T ADAPTOR WITH GIRAT | 04 |
| 13 | 0521052865 | HOSE KIT | 01 |
| 13A | 0501080477 | 3/8" X 275" TC-TM HOSE ASSY | 02 |
| 13B | 0501080420 | 3/8" X 220" TR-TM HOSE ASSY | 02 |
| 13C | 0501080514 | 3/8" X 67" TC-TC HOSE ASSY | 02 |
| 13D | 0501080402 | TR-TC HOSE ASSY | 02 |
| 13E | 0501080760 | 3/8" X 500 TC-TC HOSE | 02 |
| 13F | 0501082041 | 3/8 X 500 TR-TC HOSE | 02 |
| 14 | 0501053834 | MALE QUICK COUPLING AGRICULTURAL WITH COVER - 1/2 NPT | 04 |
| 15 | 0521045491 | HYDRAULIC CYLINDER 44,45 X 101,60 X 711 X 425 | 01 |
| 16 | 0511058457 | HYDRAULIC CYLINDER 44,45 X 76,20 X 668 X 418 | 02 |
| 17 | 0521045490 | HYDRAULIC CYLINDER 50,80 X 101,60 X 1130 X 813 | 02 |



| Item | Code | Description | QT |
|------|------------|----------------|----|
| 01 | 0503062637 | VALVE COMPLETE | 01 |
| 02 | 0571013798 | NIPPLE | 06 |



| Item | Code | Description | QT |
|------|------------|-------------------------------------|----|
| 01 | 0503011627 | QUICK CONNECTION (MALE) AGR 1/2 NPT | 01 |
| 02 | 0503011882 | QUICK CONNECTION COVER | 01 |



MARCHESAN IMPLEMENTOS E MÁQUINAS AGRÍCOLAS TATU S.A.

AV. Marchesan, 1979 - Post office box, 131 - CEP 15994-900 - Matão - SP - Brazil

Phone +55 16.3382-8282

(FAX Parts) + 55 16.3382. 8297 - (Export) + 55 16.3382.1003

e.mail: tatu@marchesan.com.br www.marchesan.com.br

Technical Publications: Elaboration

ALESSANDRA PATRICIA KAWAHARA CARRILI

Technical Publications: Revision

ALESSANDRA PATRICIA KAWAHARA CARRILI

Contact Catálogo:

E-mail = jgaspari@marchesan.com.br

**ORIGINAL PARTS
TATU**

