

**OFFSET DISK HARROW**

**GASPCR - 12/14/16D**

**Code:** 0501092507

**Series:** S-0301

**Revision:** 00

**Date Revision:** MARÇO/2023

# PARTS CATALOGUE



**MARCHESAN**



# PRODUCTS

Code	Description
0102090129	GASPCR 12 X 32 X 9,00 CM S-0301
0102090088	GASPCR 12 X 32 X 9,00 DM S-0301
0102090132	GASPCR 12 X 32 X 12,00 CM S-0301
0102090089	GASPCR 12 X 32 X 12,00 DM S-0301
0102090277	GASPCR 12 X 32 X 12,00 DM ESP S-0301
0102090162	GASPCR 12 X 32 X 12,00 DM TERR S301
0102090130	GASPCR 12 X 34 X 9,00 CM S-0301
0102090135	GASPCR 12 X 34 X 9,00 DM S-0301
0102090133	GASPCR 12 X 34 X 12,00 CM S-0301
0102090137	GASPCR 12 X 34 X 12,00 DM S-0301
0102090166	GASPCR 12 X 34 X 12,00 DM TERR S301
0102090131	GASPCR 12 X 36 X 9,00 CM S-0301
0102090136	GASPCR 12 X 36 X 9,00 DM S-0301
0102090134	GASPCR 12 X 36 X 12,00 CM S-0301
0102090138	GASPCR 12 X 36 X 12,00 DM S-0301
0102090139	GASPCR 14 X 32 X 9,00 CM S-0301
0102090090	GASPCR 14 X 32 X 9,00 DM S-0301
0102090142	GASPCR 14 X 32 X 12,00 CM S-0301
0102090091	GASPCR 14 X 32 X 12,00 DM S-0301
0102090278	GASPCR 14 X 32 X 12,00 DM ESP S-0301
0102090163	GASPCR 14 X 32 X 12,00 DM TERR S301
0102090140	GASPCR 14 X 34 X 9,00 CM S-0301
0102090145	GASPCR 14 X 34 X 9,00 DM S-0301
0102090143	GASPCR 14 X 34 X 12,00 CM S-0301
0102090147	GASPCR 14 X 34 X 12,00 DM S-0301
0102090167	GASPCR 14 X 34 X 12,00 DM TERR S301
0102090141	GASPCR 14 X 36 X 9,00 CM S-0301
0102090146	GASPCR 14 X 36 X 9,00 DM S-0301
0102090144	GASPCR 14 X 36 X 12,00 CM S-0301
0102090148	GASPCR 14 X 36 X 12,00 DM S-0301

## ATTENTION: IMPORTANT

Marchesan S.A. reserves the right to improve and/or modify the technical features of its products, without obligation to do the same with those products already sold and without prior knowledge of the dealer or the customer. The photos are only illustrative.



# PRODUCTS

0102090125	GASPCR 14 X 36 X 12DMC/ENG3"USAS301
0102090365	GASPCR 14X32X12 DM E 2.1/2 ESPECIAL S-0301
0102090111	GASPCR 16 X 32 X 9,00 CM S-0301
0102090092	GASPCR 16 X 32 X 9,00 DM S-0301
0102090112	GASPCR 16 X 32 X 12,00 CM S-0301
0102090093	GASPCR 16 X 32 X 12,00 DM S-0301
0102090164	GASPCR 16 X 32 X 12,00 DM TERR S301
0102090113	GASPCR 16 X 34 X 9,00 CM S-0301
0102090114	GASPCR 16 X 34 X 9,00 DM S-0301
0102090115	GASPCR 16 X 34 X 12,00 CM S-0301
0102090116	GASPCR 16 X 34 X 12,00 DM S-0301
0102090165	GASPCR 16 X 34 X 12,00 DM TERR S301
0102090117	GASPCR 16 X 36 X 9,00 CM S-0301
0102090118	GASPCR 16 X 36 X 9,00 DM S-0301
0102090149	GASPCR 16 X 36 X 9,00 DM USA S-301
0102090119	GASPCR 16 X 36 X 12,00 CM S-0301
0102090120	GASPCR 16 X 36 X 12,00 DM S-0301
0102090126	GASPCR 16 X 36 X 12DMC/ENG3"USAS301
0102090127	GASPCR 16 X 36 X12,00 DM AUST S0301
0102090178	GASPCR 16X36X12DM C/ENG3"S/ROD S301
0102090177	GASPCR12X36X12DM USA S/SIST.RODS301

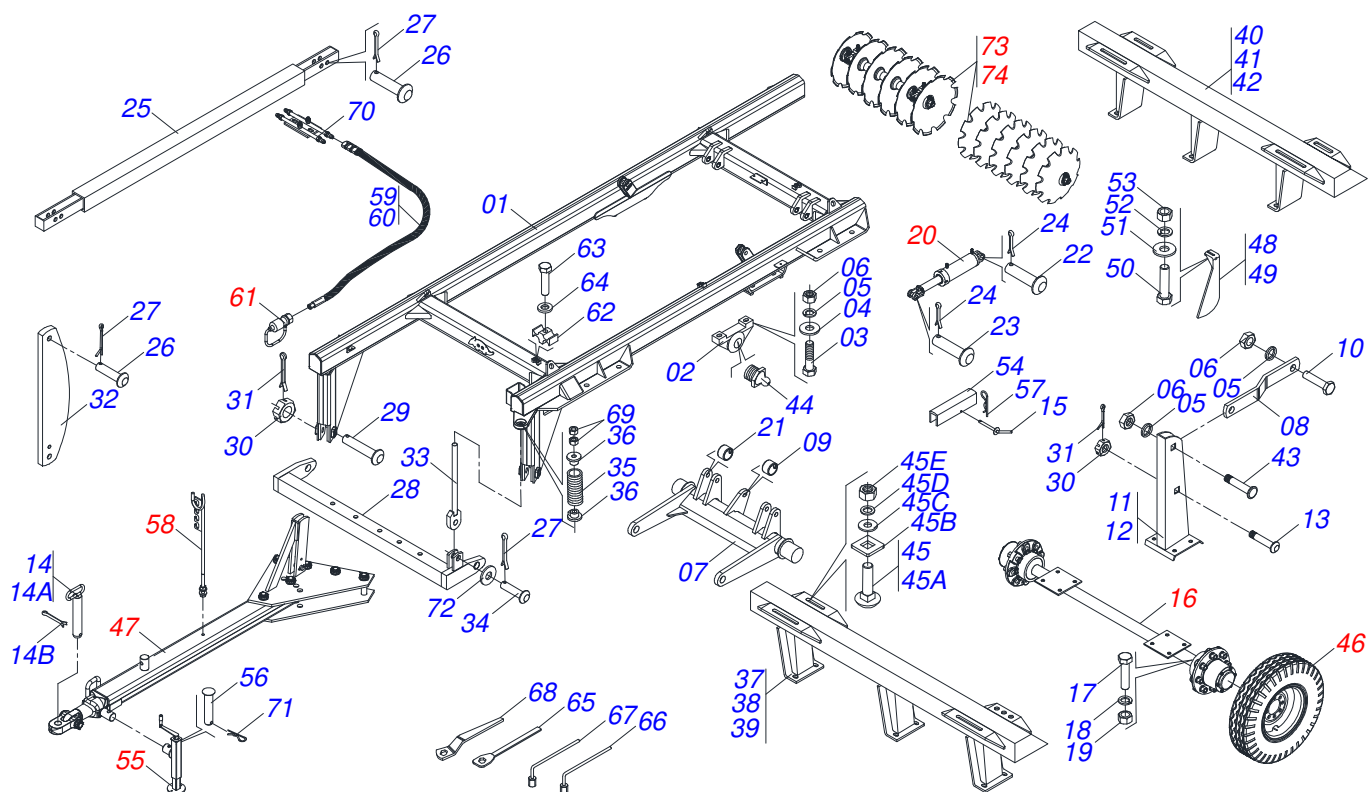
## ATTENTION: IMPORTANT

Marchesan S.A. reserves the right to improve and/or modify the technical features of its products, without obligation to do the same with those products already sold and without prior knowledge of the dealer or the customer. The photos are only illustrative.



# INDEX

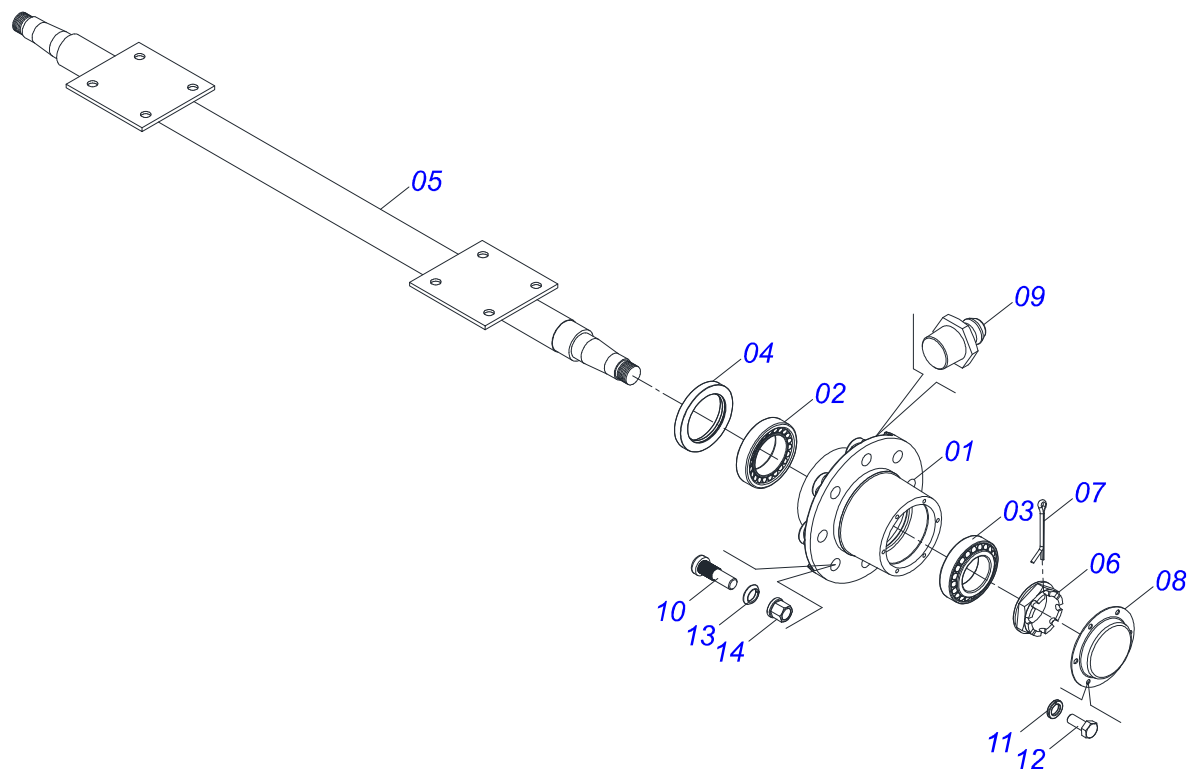
0909095221	12/14/16 DISC GASPCR	.....	1
0501047810	3-1/2" X 84.1" STUB SHAFT & HUB	.....	2
0511059181	HYDRAULIC CYLINDER 50,80 X 101,60 X 515 X 248	.....	3
0501046307	DRAWBAR ASSY	.....	4
0511048088	DRAWBAR JACK	.....	5
0501040257	ASSY 3/4 X 38 HOSE SUPPORT	.....	6
0501053834	MALE QUICK COUPLER	.....	7
0909095222	FRONT GANG DISC	.....	8
0909095230	REAR DISKS SECTION	.....	9
0501046900	430MM X 2-1/2" RD. OIL BATH BEARING	.....	10
0501043774	CM GX 17" 2-1/2" P BEARING ASSY	.....	11



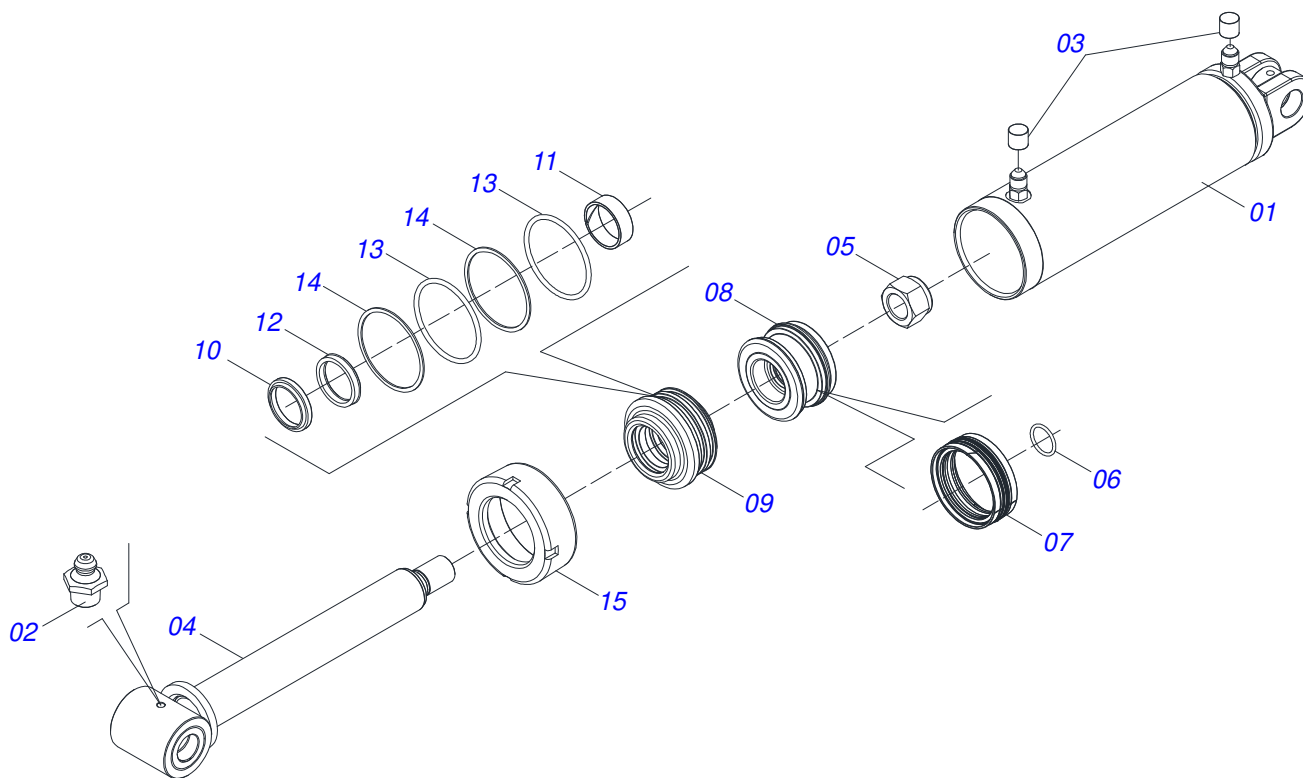
Item	Code	Description	See page	12	14	16
01	0501067249	CENTER FRAME		01	01	01
02	0502010972	ARTICULACION BEARING		02	02	02
03	0503011432	BOLT		04	04	04
04	0501010065	1" SPRING WASHER		12	12	12
05	0503010012	1" SPRING WASHER		18	18	18
06	0501010059	1.5/8 NUT		18	18	18
07	0501067244	WHEELS		01	01	01
08	0501019347	SUPPORT BAR		02	02	02
08.	0501110404	SUPPORT BAR		00	02	00
09	0581010270	GLOVE 48 X 59.30 X 76		01	01	01
10	0503011432	BOLT		02	02	02
11	0501068260	RIGHT SUSPENSION TOWER		03	03	03
12	0501068261	LEFT SUSPENSION TOWER		01	01	01
13	0511018006	1-1/2 X 4.13" U BOLT OF SUSP TOWER		02	02	02
14	0501048472	1.2" X 7.3" COUPLING SHAFT		01	01	01
14A	0501069080	COUPLING SHAFT		01	01	01
14B	0503010534	3/8 X 2-1/2 COTTERPIN		01	01	01
15	0501068994	8,30 X 78 LOCK PIN		01	01	01
16	0501047810	3-1/2" X 84.1" STUB SHAFT & HUB	2	01	01	01
17	0501010125	3/4" X 2-1/2" BOLT		08	08	08
18	0503011442	3/4" SPRING WASHER		08	08	08
19	0503010014	3/4" HEX NUT		08	08	08
20	0511059181	HYDRAULIC CYLINDER 50,80 X 101,60 X 515 X 248	3	01	01	01
21	0521010737	50,4/50,6X 38,5 X 35 SLEEVE		02	02	02
22	0511010174	1.2" X 5.9" COUPLING SHAFT		01	01	01
23	0521010547	1.2" X 6.5" COUPLING SHAFT		01	01	01
24	0503010523	1/4" X 2" COTTERPIN		04	04	04
25	0501067243	STABILIZER BAR		01	01	01
26	0521010575	C0.9" X 3.3" COUPLING SHAFT		03	03	03
27	0503010571	1/4" X 1.1/2 COTTERPIN		03	03	03
28	0501067241	OFFSET BAR		01	01	01



Item	Code	Description	See page	12	14	16
29	0521017538	11-1/2" X 5" COUPLING SHAFT		02	02	02
29.	0521012052	1.5" X 6.7" PIVOT SHAFT		02	02	02
30	0501011301	1.1/2 UNC 6FPP 2.5/16 NUT		02	02	02
31	0503010010	1/4" X 2.1/2" COTTERPIN		02	02	02
32	0511016121	STABILIZER BAR TOWER		01	01	01
33	0501066362	SPRING ROD		01	01	01
34	0521010592	1.1" X 3.1" COUPLING SHAFT		01	01	01
35	0503030441	12.7" X 5.7" X 0.5"SPRING		01	01	01
36	0502020394	SPRING SUPPORT		02	02	02
37	0501060552	FRONT FRAME 12		01	01	01
38	0501060553	FRONT FRAME 14		00	01	00
39	0501060554	FRONT FRAME 16		00	00	01
40	0501060557	REAR FRAME 12		01	00	00
41	0501060558	REAR FRAME 14		00	01	00
42	0501060559	REAR FRAME 16		00	00	01
43	0511017974	1 U BOLT OF THE SUSPENSION TOWER		02	02	02
44	0503010002	1800 GREASE FITTING		02	02	02
45	0501041102	1-1/4" X 3-3/4" ASSY BOLT		08	08	08
45A	0501015348	1-1/4" X 3-3/4" BOLT		01	01	01
45B	0501010953	1-1/4" SQUARE WASHER		01	01	01
45C	0531010713	FLAT WASHER		01	01	01
45D	0503010070	SPRING WASHER		01	01	01
45E	0501010087	1.1/4" NUT		01	01	01
46	0503060213	35.4"X0.80"-14L WHEEL AND TIRE ASSY		02	02	02
47	0501046307	DRAWBAR ASSY	4	01	01	01
48	0501060423	FRONT SCRAPER		06	07	08
49	0501060424	REAR SCRAPER		06	07	08
50	0503010233	5/8" X 2-1/2" BOLT		24	28	32
51	0501012140	FLAT WASHER		24	28	32
52	0503010027	5/8 SPRING WASHER		24	28	32
53	0503010013	5/8 NUT		24	28	32
54	0501066386	TRANSPORT LOCK 9.54"		01	01	01
55	0511048088	DRAWBAR JACK	5	01	01	01
56	0561014251	COUPLING SHAFT		01	01	01
57	0503030168	HITCH PIN CLIP		03	03	03
58	0501040257	ASSY 3/4 X 38 HOSE SUPPORT	6	01	01	01
59	0501080476	3/8" X 26" TC-TM HOSE ASSY		01	01	01
60	0501080477	HOSE 3/8 X 7012 TC-TM		01	01	01
61	0501053834	MALE QUICK COUPLER	7	02	02	02
62	0502012702	BODY SUPPORT CLAMP		03	03	03
63	0503010751	C3/8" X 1.1/4" HEX BOLT G.5		03	03	03
64	0503010025	3/8 SPRING WASHER		03	03	03
65	0501061044	2-1/8" AND 2-1/2" CABLE FLAT WRENCH		02	02	02
66	0501061045	1" WRENCH CYLINDRICAL		01	01	01
67	0503016137	1-1/4" WRENCH CABLE CYLINDER		01	01	01
68	0501011432	1-1/2" AND 1-5/8 GANG BOLT WRENCH		01	01	01
69	0501010087	1.1/4" NUT		02	02	02
70	0501068706	DOUBLE CONNECTION		01	01	01
71	0503030012	HITCH PIN CLIP		01	01	01
72	0561011883	FLAT WASHER		01	01	01
73	0909095222	FRONT GANG DISC	8	06	07	08
74	0909095230	REAR DISKS SECTION	9	06	07	08

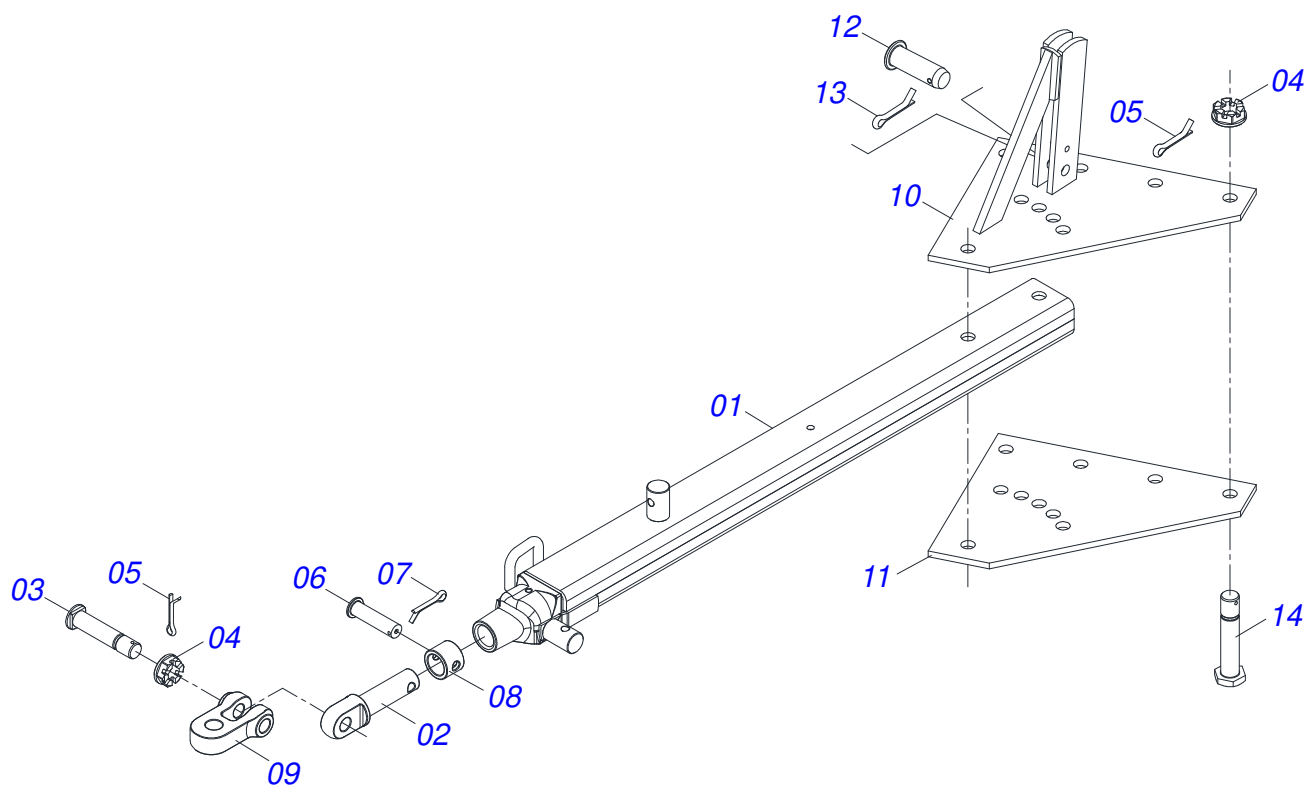


Item	Code	Description	See page	QT
01	0501110751	HUB AND SPINDLE WITH BOLT		02
02	0503010059	33287/33462 ROLLER BEARING		02
03	0503010007	3982/3920 ROLLER BEARING		02
04	0503010050	SEAL 00085-B		02
05	0501067251	3-1/2" X 84" AXLE		01
06	0502040080	FLANGE NUT R.2.1/2 UN		02
07	0503011345	1/4" X 3-1/2" COTTERPIN		02
08	0541013225	WHEEL BOX COVER		02
09	0503010002	1800 GREASE FITTING		02
10	0503811339	BOLT		08
11	0503010179	LOCK WASHER 5/16 ZN 1K01528		16
12	0503010240	BOLT		16
13	0503811340	SPHERICAL SPRING WASHER		08
14	0503811341	NUT		08

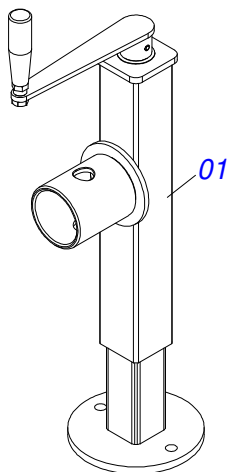


Item	Code	Description	See page	QT
01	0501067256	4" X 16" CYLINDER CASE		01
02	0503010002	1800 GREASE FITTING		02
03	0503030385	CYLINDER PLUG N-002		02
04	0521066345	50,80 X 452 TURNBUCLE		01
05	0503010817	1.1/4" SELF LOCKING NUT		01
06	0503010345	2-218 N 3006-9B O'RING		01
07	0503015633	SELEMASTER SEALING		01
08	0502012842	50,80 X 101,60 PISTON		01
09	0581010678	50,80 X 101 RING SUPPORT		01
10	0503015636	SCRAPER SEAL		01
11	0503018025	RING GUIDE		01
12	0503018026	1870-2000-375 B GASKET		01
13	0503010338	2-342 N 3006-9B O'RING		02
14	0503011061	8-342 BACK-UP RING		02
15	0502012822	101.60 END CAP		01

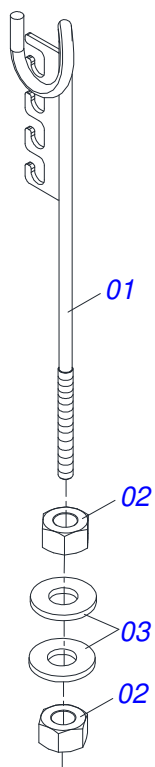




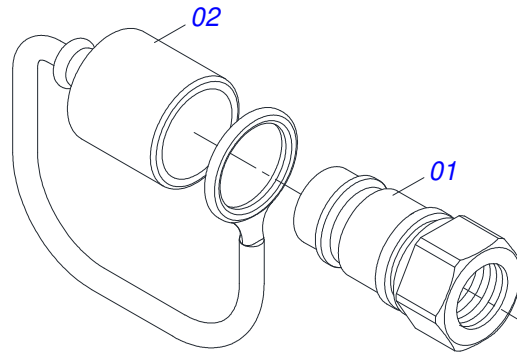
Item	Code	Description	See page	QT
01	0501069323	TRACTION BAR		01
02	1902040223	PIN HITCH		01
03	0521012545	COUPLING SHAFT		01
04	0501011301	1.1/2 UNC 6FPP 2.5/16 NUT		07
05	0503010010	1/4" X 2.1/2" COTTERPIN		07
06	0511014902	COUPLING SHAFT		01
07	0503010571	1/4" X 1.1/2 COTTERPIN		01
08	1902040327	LOCK SLEEVE		01
09	1902040732	COUPLING		01
10	0501067250	UPPER PLATE WITH SUPPORT		01
11	0511016137	UPPER /LOWER PLATE		01
12	0521010779	31.75 X 95 COUPLING SHAFT		01
13	0503010523	1/4" X 2" COTTERPIN		01
14	0501016419	1-1/2" X 7.5" BOLT		06



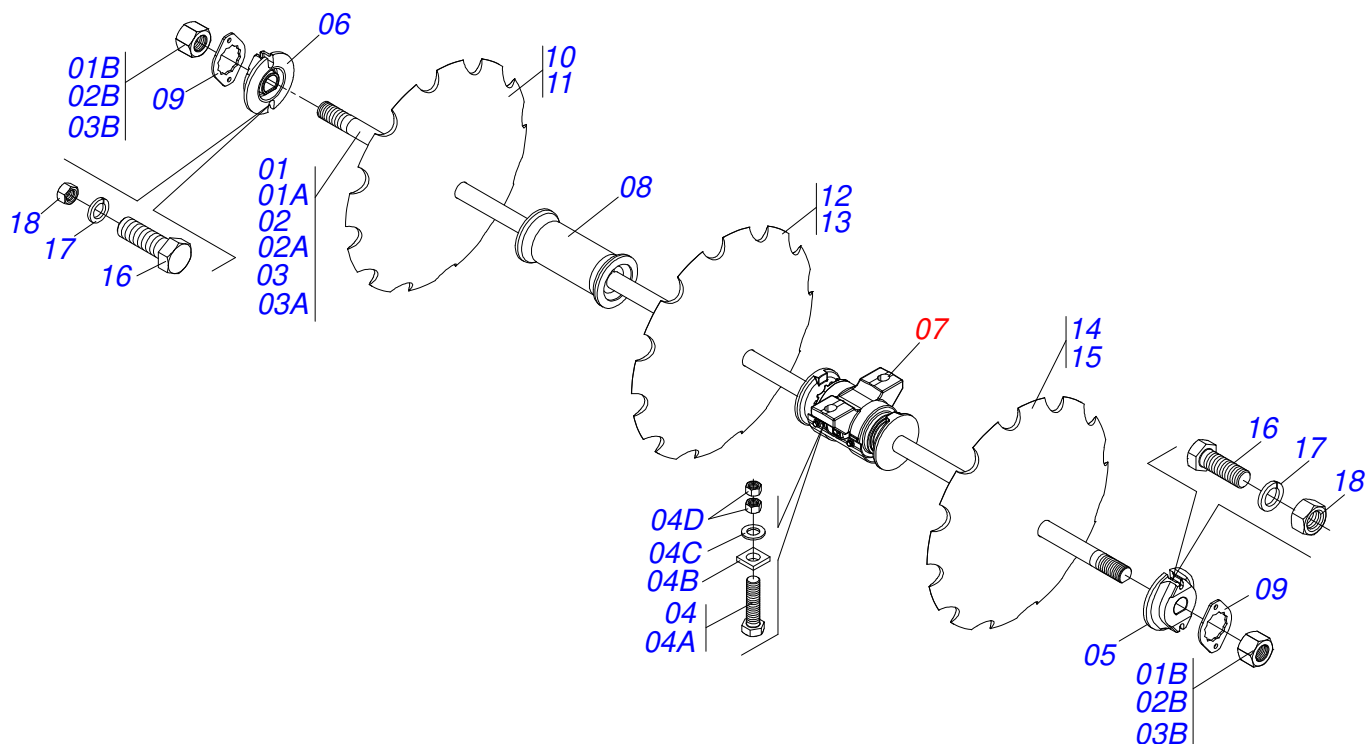
Item	Code	Description	See page	QT
01	0503062227	DRAWBAR JACK		01



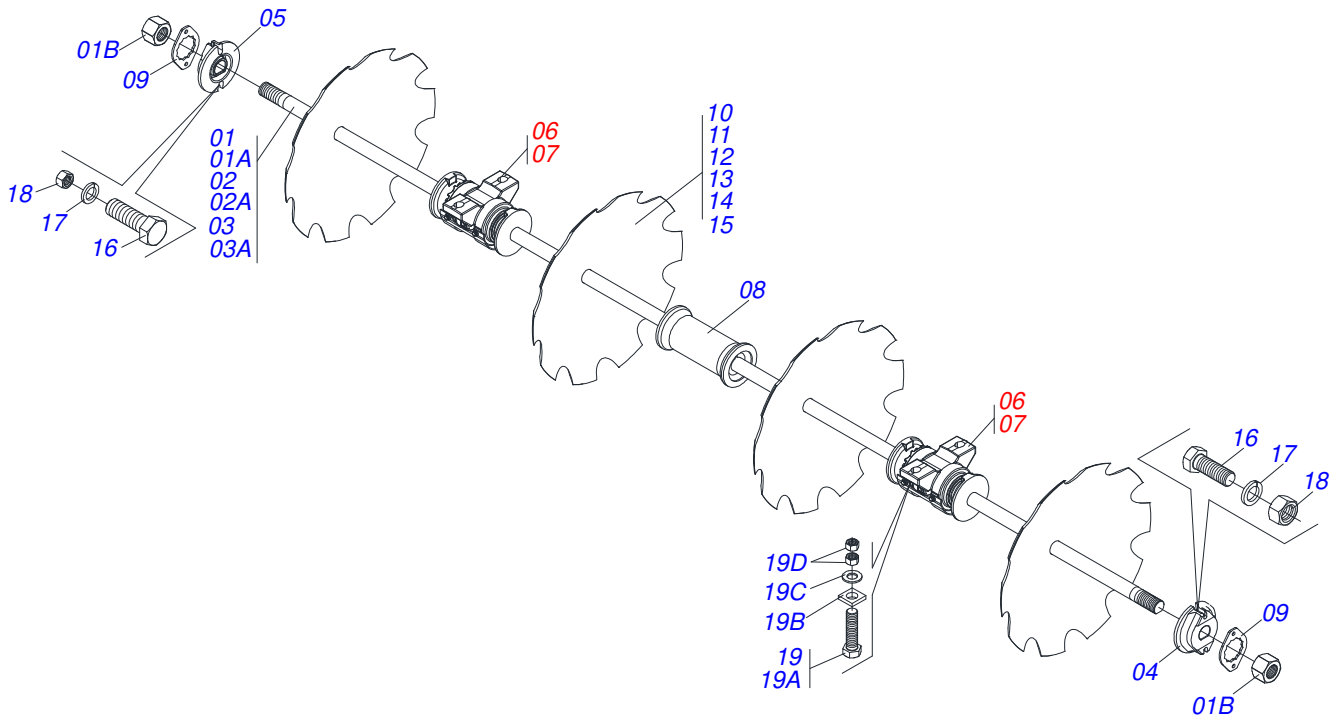
Item	Code	Description	See page	QT
01	0511067334	HOSE SUPPORT		01
02	0503010014	3/4" HEX NUT		02
03	0501010322	FLAT WASHER		02



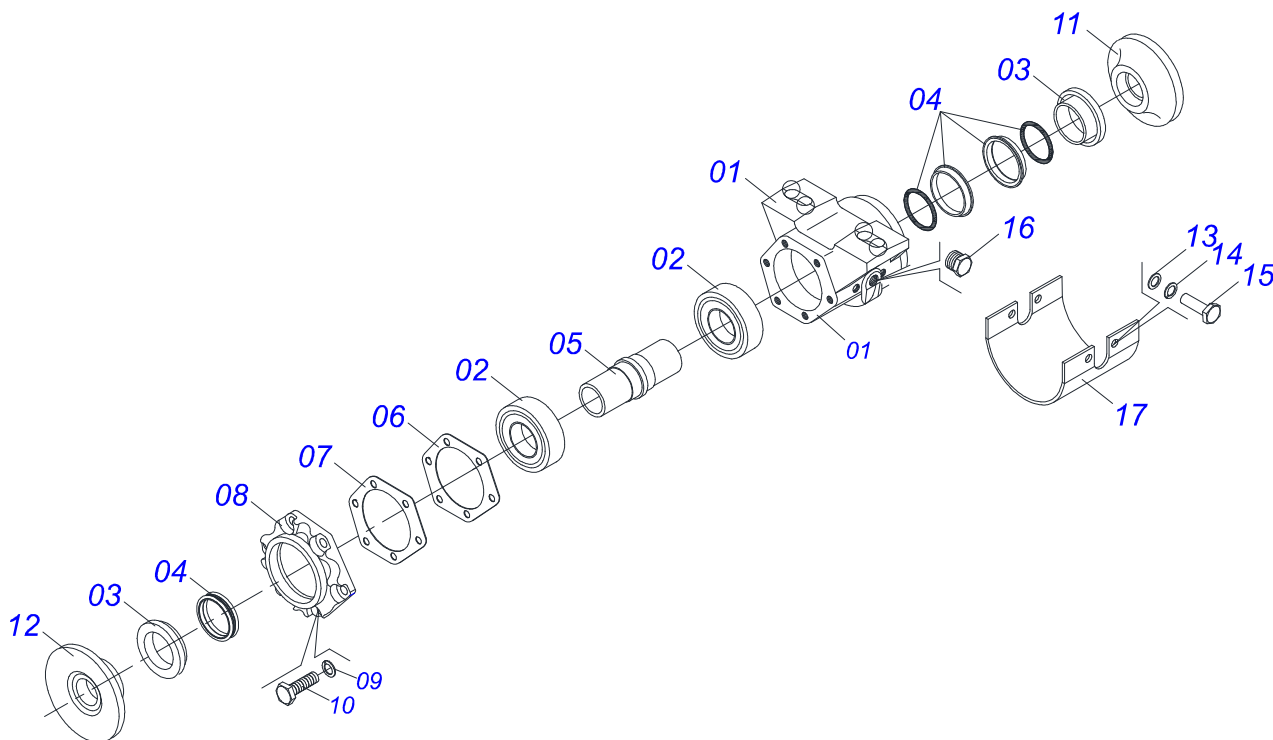
Item	Code	Description	See page	QT
01	0503011627	MALE QUICK COUPLER AGR 1/2 NPT		01
02	0503011882	MALE QUICK COUPLER CAP		01



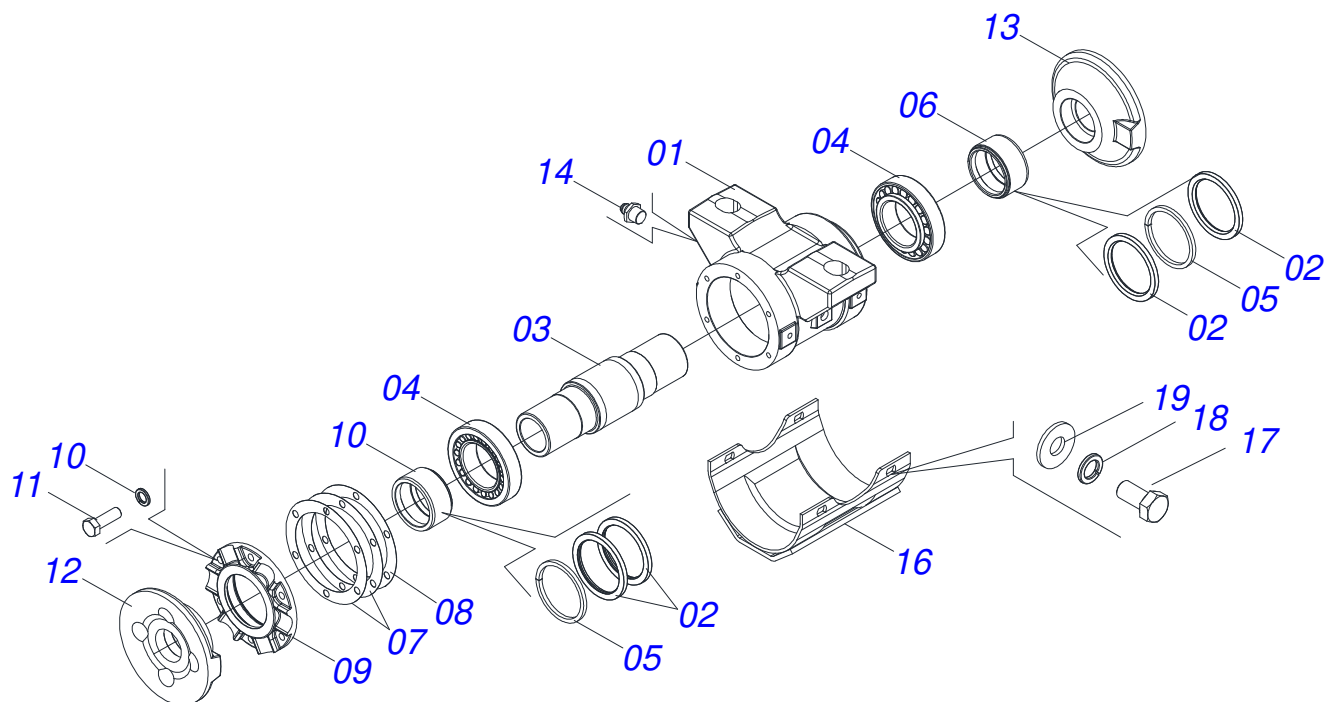
Item	Code	Description	See page	12	14	16
01	0501040691	2-1/2" X 97" AXLE WITH NUTS		01	00	00
01A	0501010356	2-1/2" X 97" AXLE		01	00	00
01B	0502040064	2.1/2" SNC X 70 99 NUT		02	00	00
02	0501040692	2-1/2" X 115" AXLE WITH NUTS		00	01	00
02A	0501010355	2-1/2" X 115" AXLE		00	01	00
02B	0502040064	2.1/2" SNC X 70 99 NUT		00	02	00
03	0501040693	2.1/2" X 63" AXLE WITH NUTS		00	00	02
03A	0501010358	2.1/2" X 63" AXLE		00	00	01
03B	0502040064	2.1/2" SNC X 70 99 NUT		00	00	02
04	0501041301	1.1/4" X 5.3/4" ASSY BOLT		08	08	08
04A	0501010954	1.1/4" X 5.3/4" BOLT		01	01	01
04B	0501010953	1-1/4" SQUARE WASHER		01	01	01
04C	0501010307	FLAT WASHER		01	01	01
04D	0501010087	1.1/4" NUT		02	02	02
05	0502010593	2.1/2" EXTERNAL AXLE WASHER		02	02	02
06	0502010592	2.1/2" INNER AXLE WASHER		02	02	02
07	0501046900	430MM X 2-1/2" RD. OIL BATH BEARING	10	02	02	02
07.	0501043774	CM GX 17" 2-1/2" P BEARING ASSY	11	02	02	02
08	0502012220	2.1/2" X 17" SPACER		03	04	02
09	0541010368	NUT LOCK		02	02	04
10	0602044002	32" X 0.3" NOTCHED DISC BLADE		01	01	01
11	0602048001	36" X 0.3" 9 NOTCHED DISC BLADE		00	07	00
12	0602044004	DR 32 X 12 C115AF04FR2.9/16 10R TAT/CV		01	01	01
13	0602046001	DR 34 X 9 C120AF04FR2.9/16 12R TAT/CIV		01	01	01
14	0602048002	36" X 0.5" NOTCHED DISC BLADE		06	00	00
15	0602046002	DR 34 X 12 C120AF04FR2.9/16 12R TAT/CV		01	01	01
16	0503010232	5/8" X 1.3/4" BOLT		04	04	08
17	0501012140	FLAT WASHER		04	04	08
18	0503012412	5/8" UNC SELF LOCKING NUT		04	04	08



Item	Code	Description	See page	12	14	16
01	0501040691	2-1/2" X 97" AXLE WITH NUTS		01	00	00
01A	0501010356	2-1/2" X 97" AXLE		01	00	00
01B	0502040064	2.1/2" SNC X 70 99 NUT		02	00	00
02	0501040692	2-1/2" X 115" AXLE WITH NUTS		00	01	00
02A	0501010355	2-1/2" X 115" AXLE		00	01	00
02B	0502040064	2.1/2" SNC X 70 99 NUT		00	02	00
03	0501040693	2.1/2" X 63" AXLE WITH NUTS		00	00	02
03A	0501010358	2.1/2" X 63" AXLE		00	00	01
03B	0502040064	2.1/2" SNC X 70 99 NUT		00	00	02
04	0501041301	1.1/4" X 5.3/4" ASSY BOLT		08	08	08
04A	0501010954	1.1/4" X 5.3/4" BOLT		01	01	01
04B	0501010953	1-1/4" SQUARE WASHER		01	01	01
04C	0501010307	FLAT WASHER		01	01	01
04D	0501010087	1.1/4" NUT		02	02	02
05	0502010593	2.1/2" EXTERNAL AXLE WASHER		02	02	02
06	0502010592	2.1/2" INNER AXLE WASHER		02	02	02
07	0501046900	430MM X 2-1/2" RD. OIL BATH BEARING	10	02	02	02
07.	0501043774	CM GX 17" 2-1/2" P BEARING ASSY	11	02	02	02
08	0502012220	2.1/2" X 17" SPACER		03	04	02
09	0541010368	NUT LOCK		02	02	04
10	0602044002	32" X 0.3" NOTCHED DISC BLADE		01	01	01
11	0602048001	36" X 0.3" 9 NOTCHED DISC BLADE		00	07	00
12	0602044004	DR 32 X 12 C115AF04FR2.9/16 10R TAT/CV		01	01	01
13	0602046001	DR 34 X 9 C120AF04FR2.9/16 12R TAT/CIV		01	01	01
14	0602048002	36" X 0.5" NOTCHED DISC BLADE		06	00	00
15	0602046002	DR 34 X 12 C120AF04FR2.9/16 12R TAT/CV		01	01	01
16	0503010232	5/8" X 1.3/4" BOLT		04	04	08
17	0501012140	FLAT WASHER		04	04	08
18	0503012412	5/8" UNC SELF LOCKING NUT		04	04	08



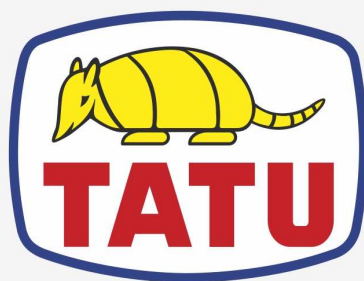
Item	Code	Description	See page	QT
01	0502012415	HOUSING BEARING		01
02	0503010118	32218 BEARING		02
03	0502040119	SEAL RETAINER		02
04	0503030029	RETAINER LP JB-259		02
05	0502040039	AXLE		01
06	0503030537	8.3" X 6.3" X 0.01" JOINT		02
07	0503030687	8.3" X 6.3" X 0.004" JOINT		01
08	0502010644	HOUSING CAP DM		01
09	0503010019	1/2" SPRING WASHER		06
10	0503010920	1/2 UNC X 1.1/2 C S G.5 ZN BOLT		06
11	0502040165	INNER FLANGE		01
12	0502040164	OUTER FLANGE		01
13	0511017302	FLAT WASHER 13,50 X 32,50 X 3,0 ZN		04
14	0503010019	1/2" SPRING WASHER		04
15	0503010834	1/2 X 1 BOLT		04
16	0503010856	OIL PLUG		02
17	0521062889	PROTECTION CAP		01
18	3402301247	MINERAL OIL GREASE		01



Item	Code	Description	See page	QT
01	0502010744	HOUSING CM		01
02	0503010095	01103-B SEAL		04
03	0502040039	AXLE		01
04	0503010118	32218 BEARING		02
05	0501010362	GREASE SEAL		02
06	0501011139	SPACER		02
07	0503030537	8.3" X 6.3" X 0.01" JOINT		02
08	0503030687	8.3" X 6.3" X 0.004" JOINT		01
09	0502010660	HOUSING CAP CM		01
10	0503011440	SPRING WASHER		06
11	0503010920	1/2 UNC X 1.1/2 C S G.5 ZN BOLT		06
12	0502040167	OUTER FLANGE		01
13	0502040168	INNER FLANGE		01
14	0503010002	1800 GREASE FITTING		02
15	1882970002	GREASE SOAP		01
16	0521062889	PROTECTION CAP		01
17	0503010834	1/2 X 1 BOLT		04
18	0503010019	1/2" SPRING WASHER		04
19	0511017302	FLAT WASHER 13,50 X 32,50 X 3,0 ZN		04







**MARCHESAN**

**Technical Publications | Elaboration and Revision**  
JOSÉ DOMINGOS GASPARI

[www.marchesan.com.br](http://www.marchesan.com.br)

