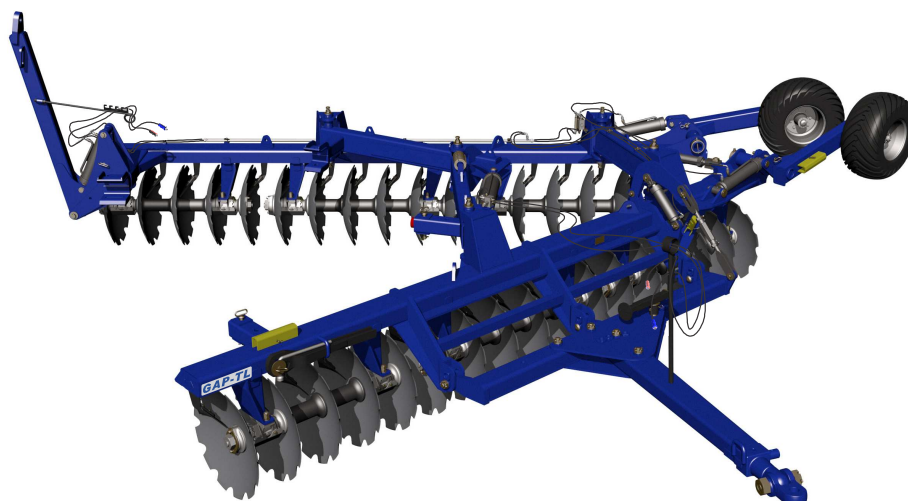


PARTS CATALOG

OFFSET DISK HARROW

GAP-TL 34

Code: 0501092503



Series: S-0818

Rev.: 00

Date Rev.: JUNHO/2019

**ORIGINAL PARTS
TATU**



PRODUCTS

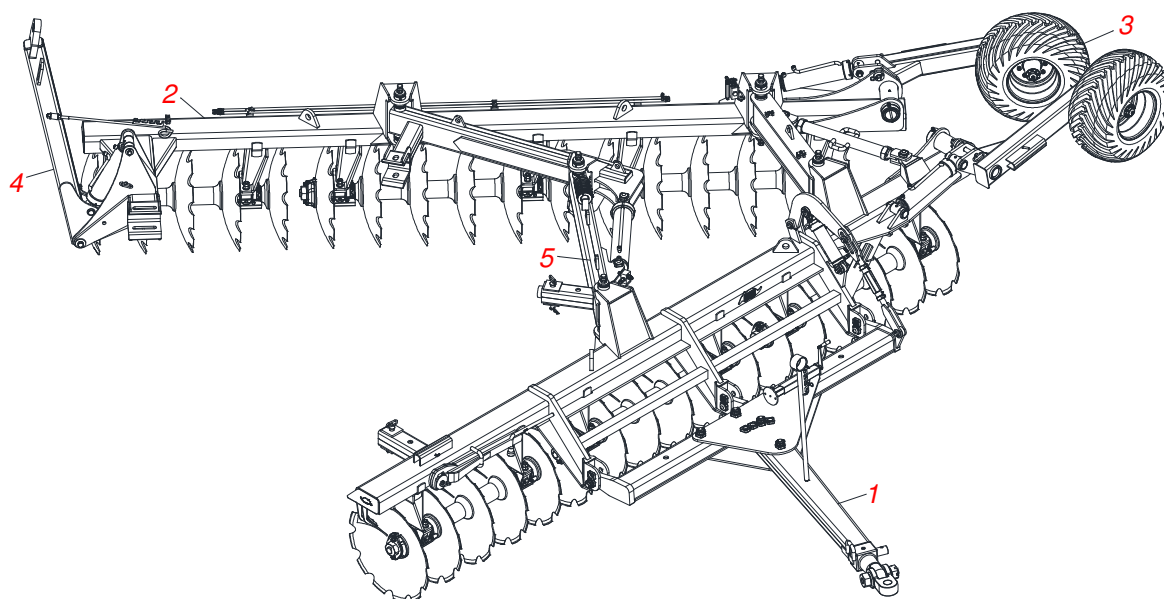
Code	Description
0102040071	GAP-TL 34 X 32 X 9,00 DR DM S-0818
0102040072	GAP-TL 34 X 34 X 9,00 DR DM S-0818

ATTENTION: **IMPORTANT**

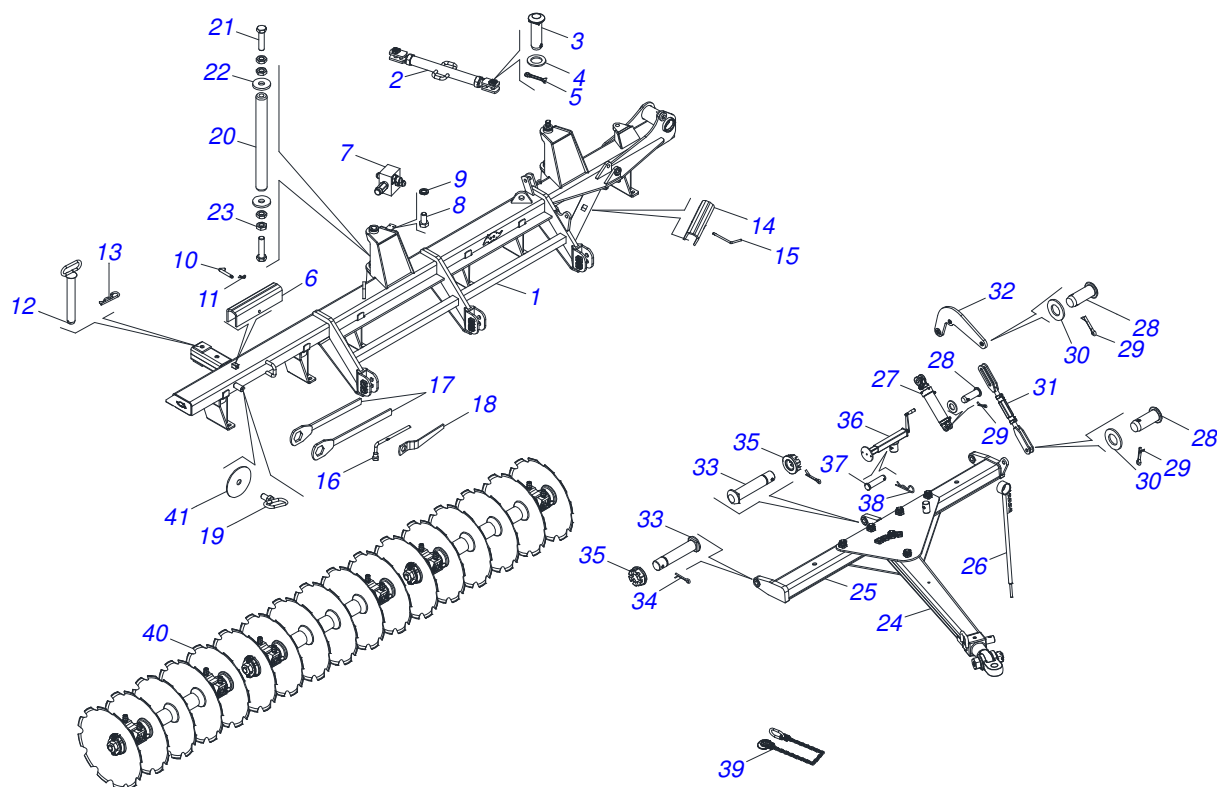
MARCHESAN S/A RESERVES THE RIGHT AT ANY TIME TO MAKE IMPROVEMENTS IN THE DESIGN, MATERIAL OR SPECIFICATIONS OF MACHINERY, EQUIPMENT OR PARTS WITHOUT THEREBY BECOMING LIABLE TO MAKE SIMILAR CHANGES IN MACHINERY, EQUIPMENT OR PARTS PREVIOUSLY SOLD.

INDEX

0909095277	GAP TL	1
0909095293	FRONT FRAME	2
0909095291	REAR FRAME	3
0501057339	JOINT TURNBUCKLE ASSY	4
0501042903	DISCHARGE VALVE ASSY	5
0511041592	DRAWBAR ASSY	6
0511058424	HYDRAULIC CYLINDER	7
0501057463	TURNBUCKLE ASSY	8
0511048088	DRAWBAR JACK	9
0511057534	FLOW DIVIDING VALVE ASSY	10
0909095284	RIGHT/LEFT WHEEL SISTEM	11
0501051885	CARRYING-WHEELS	12
0909095283	REAR HITCH ASSY	13
0521053839	HYDRAULIC CYLINDER	14
0909095279	ARTICULATION ASSY	15
0511045489	CILINDRO HIDRAULICO	16
0909095301	FRONT GANG DISC	17
0909095307	REAR GANG DISC	18
0909095296	HYDRAULIC CIRCUIT	19
0521044706	OIL BATH BEARING	20
0909095311	ADHESIVE	21



Item	Code	Description	See page	QT
01	0909095293	FRONT FRAME	2	01
02	0909095291	REAR FRAME	3	01
03	0909095284	RIGHT/LEFT WHEEL SISTEM	11	01
04	0909095283	REAR HITCH ASSY	13	01
05	0909095279	ARTICULATION ASSY	15	02



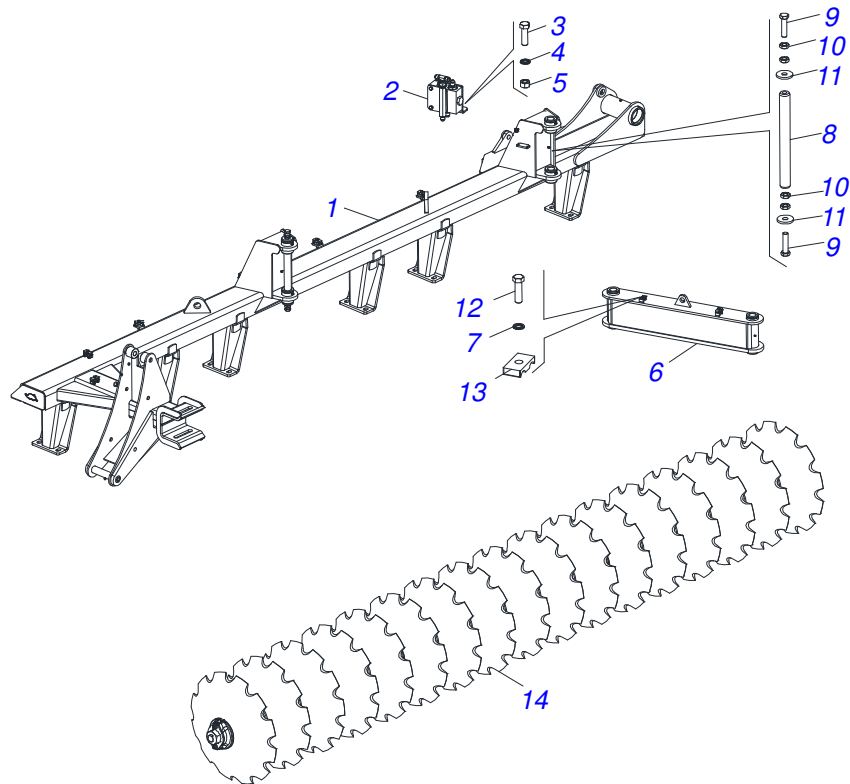
Item	Code	Description	See page	QT
01	0521053883	FRONT FRAME ASSY		01
02	0501057339	JOINT TURNBUCKLE ASSY	4	01
03	0521012868	1.4" X 5" PIVOT SHAFT		02
04	0501012916	FLAT WASHER 38,50 X 66 X 4,75 ZN		02
05	0503010534	3/8 X 2-1/2 COTTERPIN		02
06	0561016693	TRANSPORT LOCK		01
07	0501042903	DISCHARGE VALVE ASSY	5	01
08	0503011334	3/8" X 3/4" BOLT		02
09	0503010025	3/8 SPRING WASHER		02
10	0541016844	FIXER LOCK		01
11	0503030168	HAIR PIN		01
12	0501069350	230 PIVOT SHAFT WITH PULL		01
13	0503031035	HAIR PIN		01
14	0511010420	8.5" X 1.8" TRANSPORT LOCK		01
15	0511013425	LOCK PIN		01
16	0503033367	1" WRENCH CYLINDRICAL HEX		01
17	0501061044	2-1/8" AND 2-1/2" CABLE FLAT WRENCH		02
18	0501011432	1-1/2" AND 1-5/8 GANG BOLT WRENCH		01
19	0501069343	WRENCH FIXER		01
20	0521011569	20" COUPLING SHAFT		01
21	0503012660	1" X 4" BOLT		04
22	0521011565	FLAT WASHER		04
23	0503013635	1" NUT		08
24	0511041592	DRAWBAR ASSY	6	01
25	0521069718	OFFSET BAR		01
26	0521062849	HOSE HOLDER ASSY		01
27	0511058424	HYDRAULIC CYLINDER	7	01
28	0521010779	COUPLING SHAFT		04
29	0503010523	1/4" X 2" COTTERPIN		04
30	0501017779	FLAT WASHER		04
31	0501057463	TURNBUCKLE ASSY	8	01



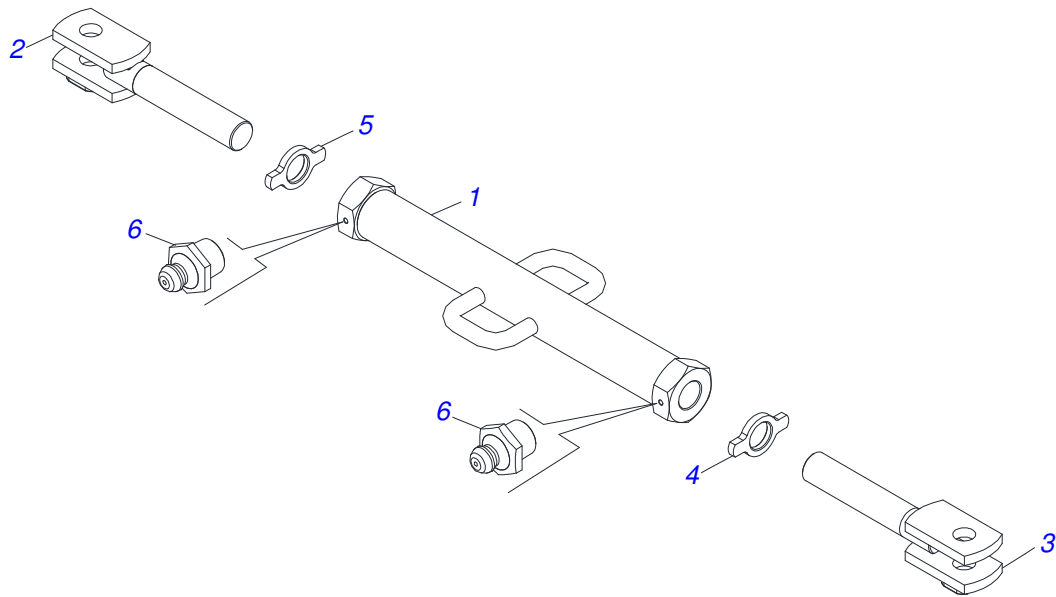
GAP-TL 34
FRONT FRAME

Page 2
0909095293

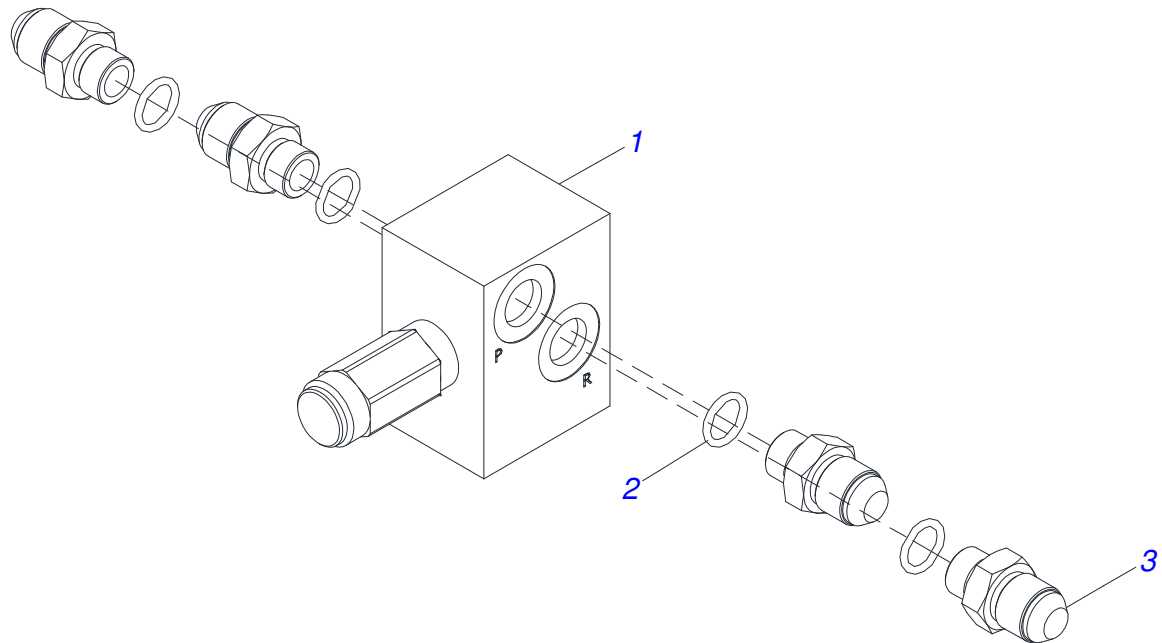
Item	Code	Description	See page	QT
32	0511068771	ARTICULATOR BODY		01
33	0531018099	37,50 X 190 COUPLING SHAFT		03
34	0503010010	1/4" X 2.1/2" COTTERPIN		03
35	0501011301	1.1/2 UNC 6FPP 2.5/16 NUT		03
36	0511048088	DRAWBAR JACK	9	01
37	0561014251	COUPLING SHAFT		01
38	0503030012	HAIR PIN		01
39	0503013150	1300 X 3/8 CHAIN		01
40	0909095301	FRONT GANG DISC	17	01
41	0521011722	FLAT WASHER		02



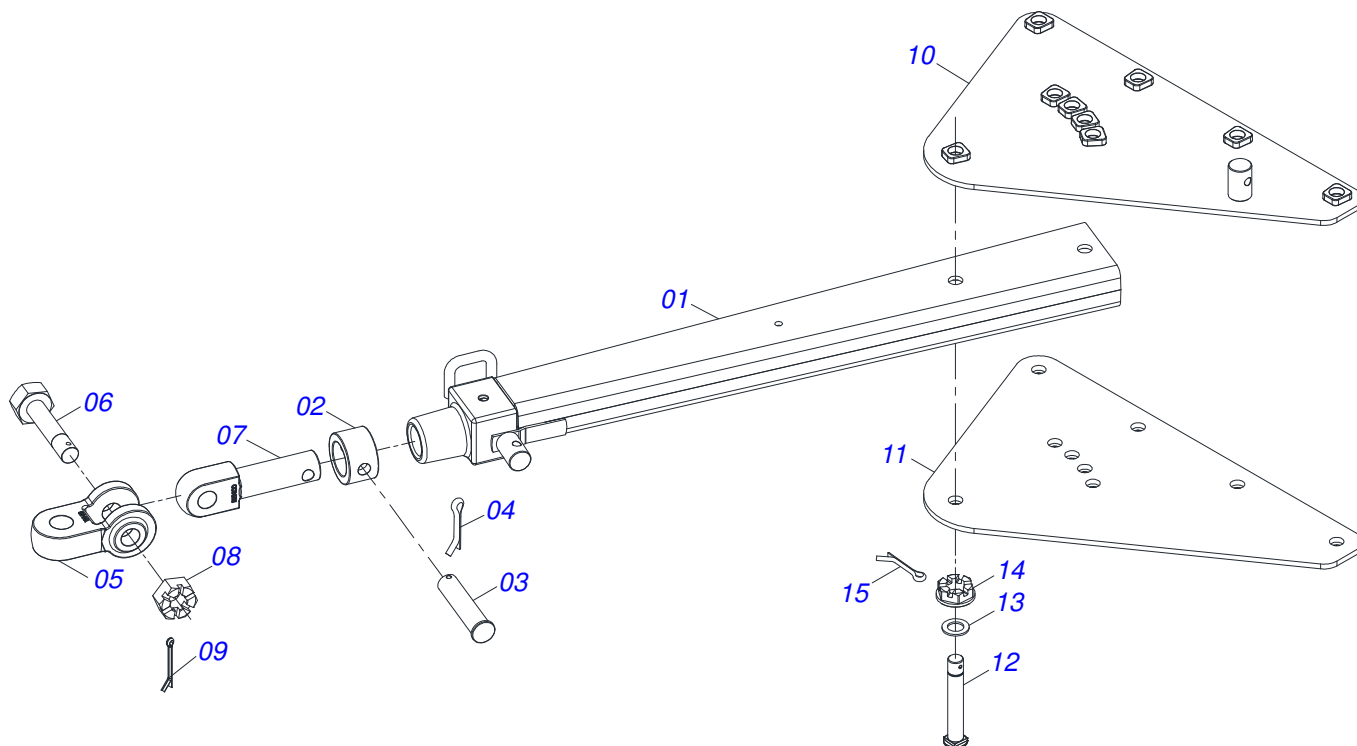
Item	Code	Description	See page	QT
01	0521053883	FRONT FRAME ASSY		01
02	0511057534	FLOW DIVIDING VALVE ASSY	10	01
03	0503010751	C3/8" X 1.1/4" HEX BOLT G.5		02
04	0503010025	3/8 SPRING WASHER		02
05	0503010026	3/8" NUT		02
06	0511068470	JOIN		01
07	0503010180	7/16" SPRING WASHER		02
08	0521011569	20" COUPLING SHAFT		02
09	0503012660	1" X 4" BOLT		04
10	0503013635	1" NUT		08
11	0521011565	FLAT WASHER		02
12	0503011135	7/16" X 1-1/2" BOLT		02
13	0502010477	UPPER CLIP		02
14	0909095307	REAR GANG DISC	18	01



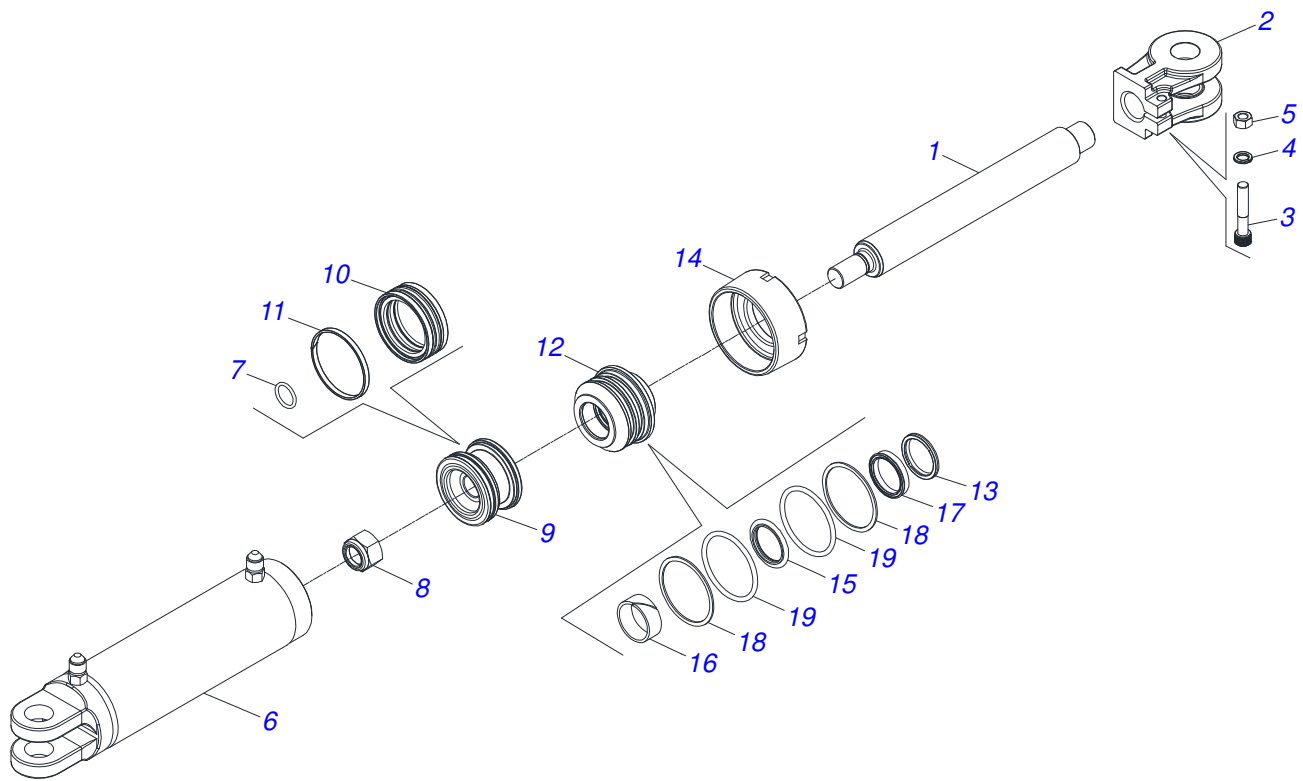
Item	Code	Description	See page	QT
001	0501069332	JOIN TURNBUCKLE		01
002	0501069333	JACK CRANK		01
003	0501069334	JACKET		01
004	0551012908	RIGHT LOCKNUT R 2-1/8"		01
005	0551012909	LEFT LOCKNUT R 2-1/8"		01
006	0503010002	1800 GREASE FITTING		02



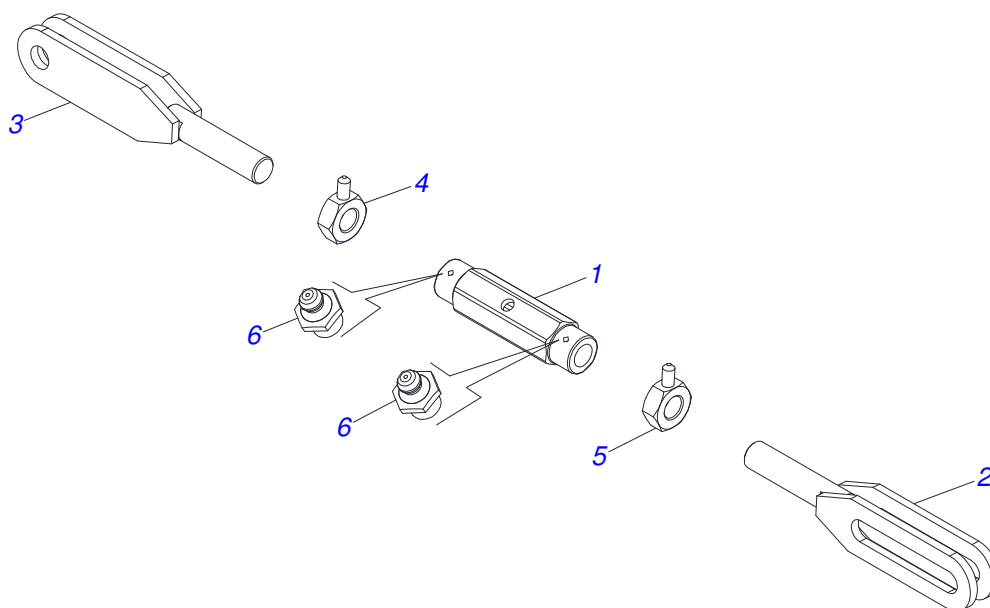
Item	Code	Description	See page	QT
001	0503010919	DISCHARGE VALVE		01
002	0503010190	2-114 N 3006-9B O'RING		04
003	0501011460	7/8 NF REDUCTION NIPPLE		04



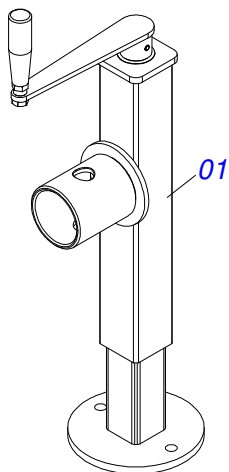
Item	Code	Description	See page	QT
001	0511064669	DRAWBAR ASSY		01
002	0502040263	ANEL TRAVA ENGATE		01
003	0561017306	COUPLING SHAFT		01
004	0503010523	1/4" X 2" COTTERPIN		01
005	0502040293	YH-90 CLEVIS		01
006	0511067199	2" BOLT		01
007	0502040264	DRAWBOLT		01
008	0502040558	2" CASTLE NUT		01
009	0503010074	3/8 X 0,15" COTTERPIN		01
010	0511064659	UPPER PLATE		01
011	0511064658	LOWER PLATE		01
012	0521011880	37,5 X 242 COUPLING SHAFT		06
013	0501012916	FLAT WASHER 38,50 X 66 X 4,75 ZN		06
014	0501011301	1.1/2 UNC 6FPP 2.5/16 NUT		06
015	0503010010	1/4" X 2.1/2" COTTERPIN		06



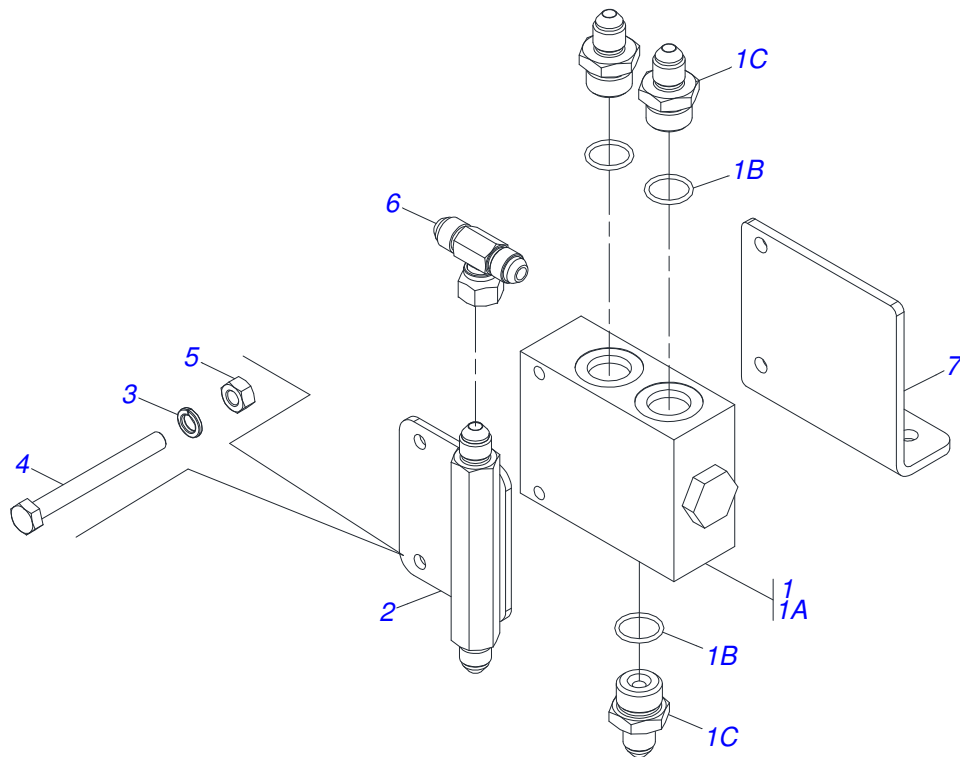
Item	Code	Description	See page	QT
01	0521010421	HYDRAULIC CYLINDER TURNBUCKLE		01
02	0502040747	FORK		01
03	0503011094	3/8" X 2" BOLT C C S I 12.9		01
04	0503010025	3/8 SPRING WASHER		01
05	0503010026	3/8" NUT		01
06	0511063257	3,4" X 12,3" CYLINDER CASE		01
07	0503010042	2-214 N 3006-9B O'RING		01
08	0503010063	1" SELF-ALIGNING NUT		01
09	0571019710	1.7" X 3.4" PISTON		01
10	0503017935	RING		01
11	0503018144	RING		01
12	0571019711	RING SUPPORT		01
13	0503010761	D-1750 SCRAPER RING		01
14	0571019709	DETACHABLE COVER		01
15	0503017936	RING		01
16	0503017938	RING GUIDE		01
17	0503017937	GASKET		01
18	0503017940	8-337 BACK-UP RING		02
19	0503017939	2-337 N 3006-9B O' RING		02



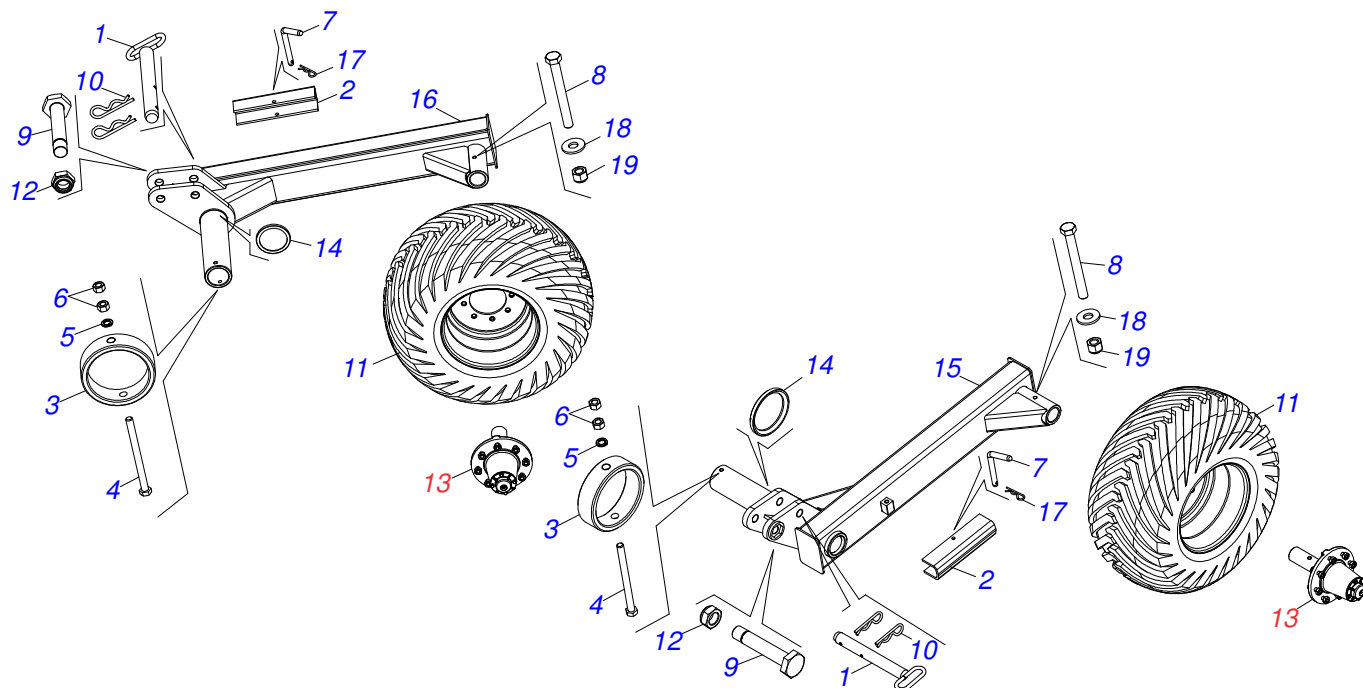
Item	Code	Description	See page	QT
001	0502011469	245 ADJUSTMENT NUT		01
002	0501069339	1.1/2 RIGHT CASE		01
003	0511068350	LEFT JACK CRANK		01
004	0501069342	LOCKNUT WITH LEFT HANDLER		01
005	0501069341	LOCKNUT WITH RIGHT HANDLER		01
006	0503010002	1800 GREASE FITTING		02



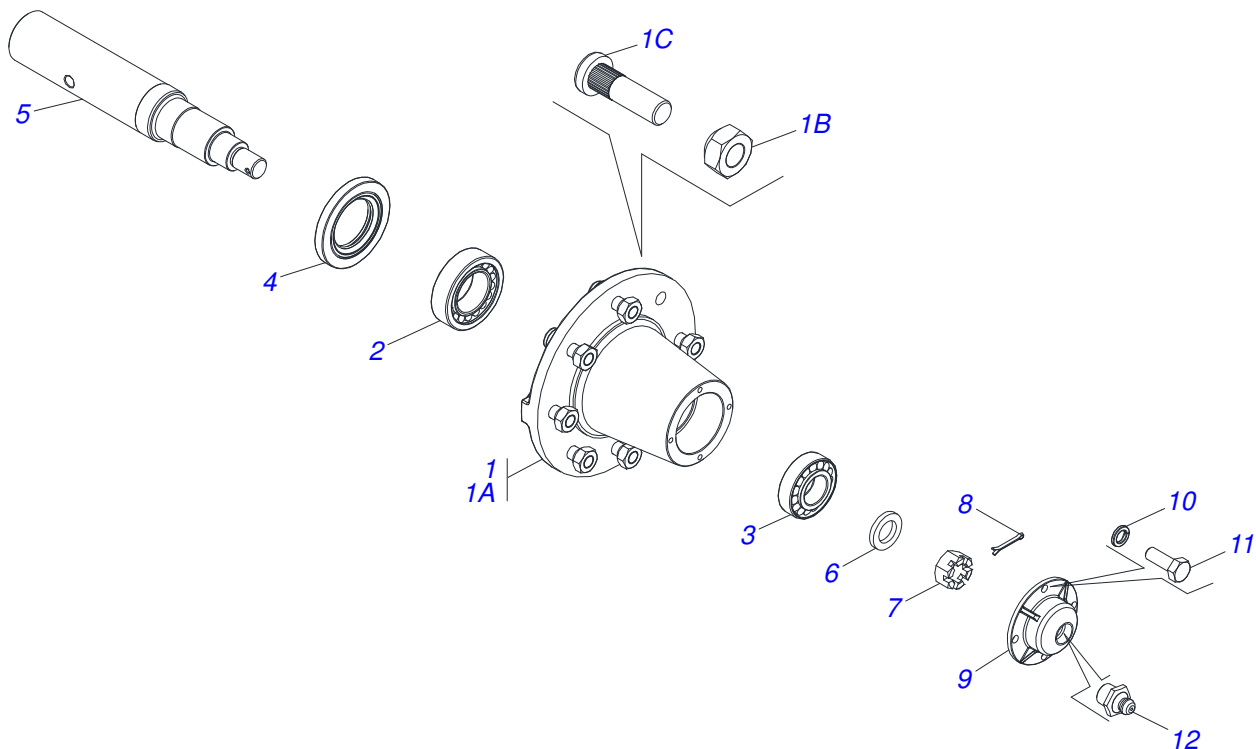
Item	Code	Description	See page	QT
01	0503062227	DRAWBAR JACK		01



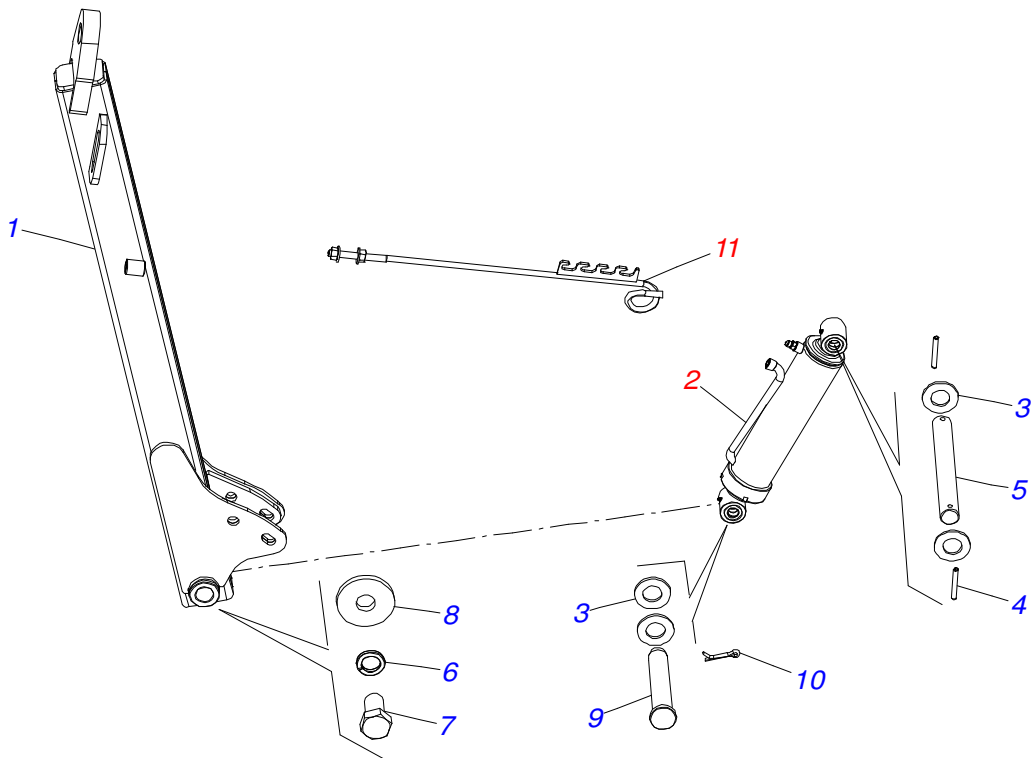
Item	Code	Description	See page	QT
01	0511057381	FLOW DIVIDING VALVE ASSY		01
01A	0503016227	FLOW DIVIDING VALVE		01
01B	0503011109	2-119 N 3006-9B O'RING		03
01C	0521014704	HOSE NIPPLE 3/4 UNF		03
02	0521066121	OIL TUBE		01
03	0503010179	SPRING WASHER		02
04	0503011053	5/16" X 3" C S 6.5 ZN BOLT		02
05	0503010337	5/16" NUT		02
06	0503037376	T ADAPTER WITH NUT		01
07	0571019627	SUPPORT VALVE		01



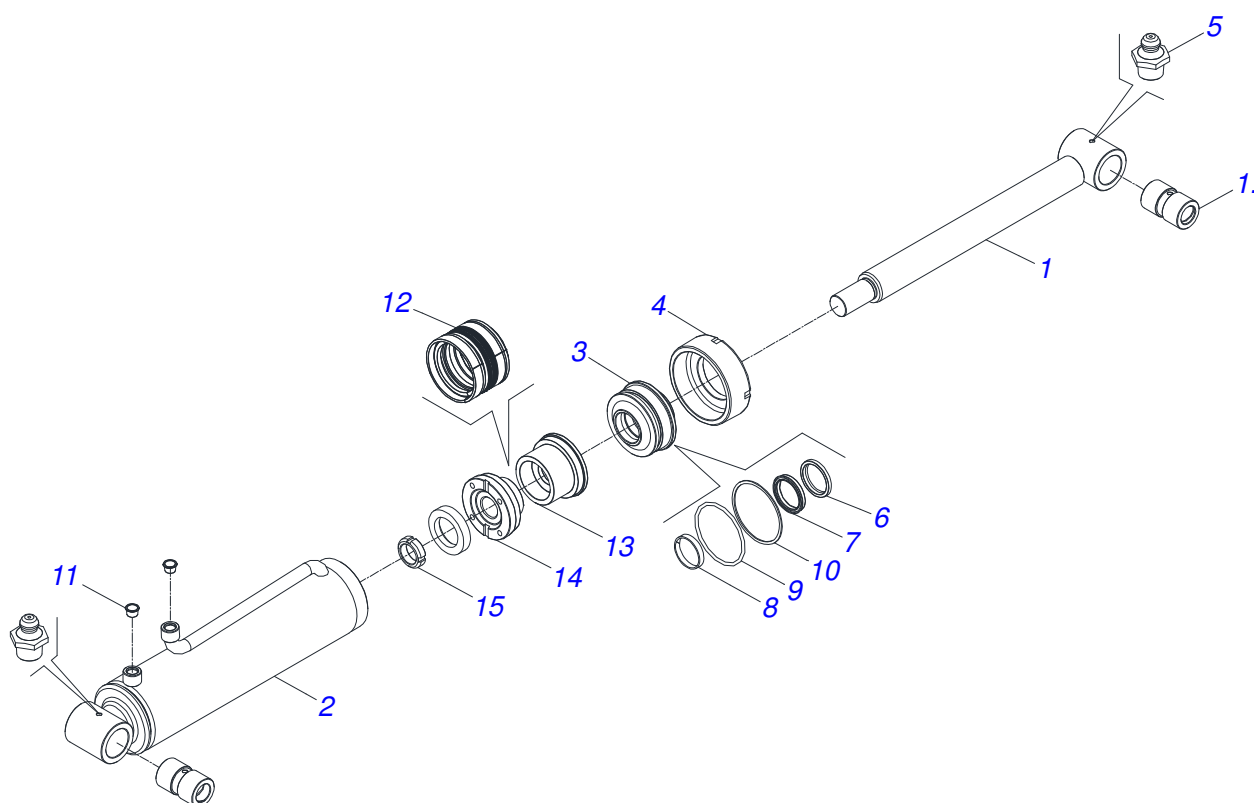
Item	Code	Description	See page	QT
01	0521069358	COUPLING SHAFT		02
02	0561016693	TRANSPORT LOCK		02
03	0521011428	4.5" X 5.5" X 1.6" SLEEVE		02
04	0503010964	1/2" X 6-1/2" BOLT		02
05	0503010019	1/2" SPRING WASHER		02
06	0503010060	1/2" NUT		04
07	0541016844	FIXER LOCK		02
08	0503010706	1/2" X 4.1/2" BOLT		02
09	0581018185	BOLT		02
10	0503031035	HAIR PIN		02
11	0503060102	WHEEL AND TIRE		02
12	0503010044	1-1/4" SELF-ADJUSTING NUT		02
13	0501051885	CARRYING-WHEELS	12	02
14	0581018186	FLAT WASHER		02
15	0521069092	FRONT CARRYNG WHEELS		01
16	0521069091	REAR CARRYNG WHEELS		01
17	0503030168	HAIR PIN		02
18	0511017302	FLAT WASHER		02
19	0503010589	1/2" UNC SELF ADJUSTING NUT		02



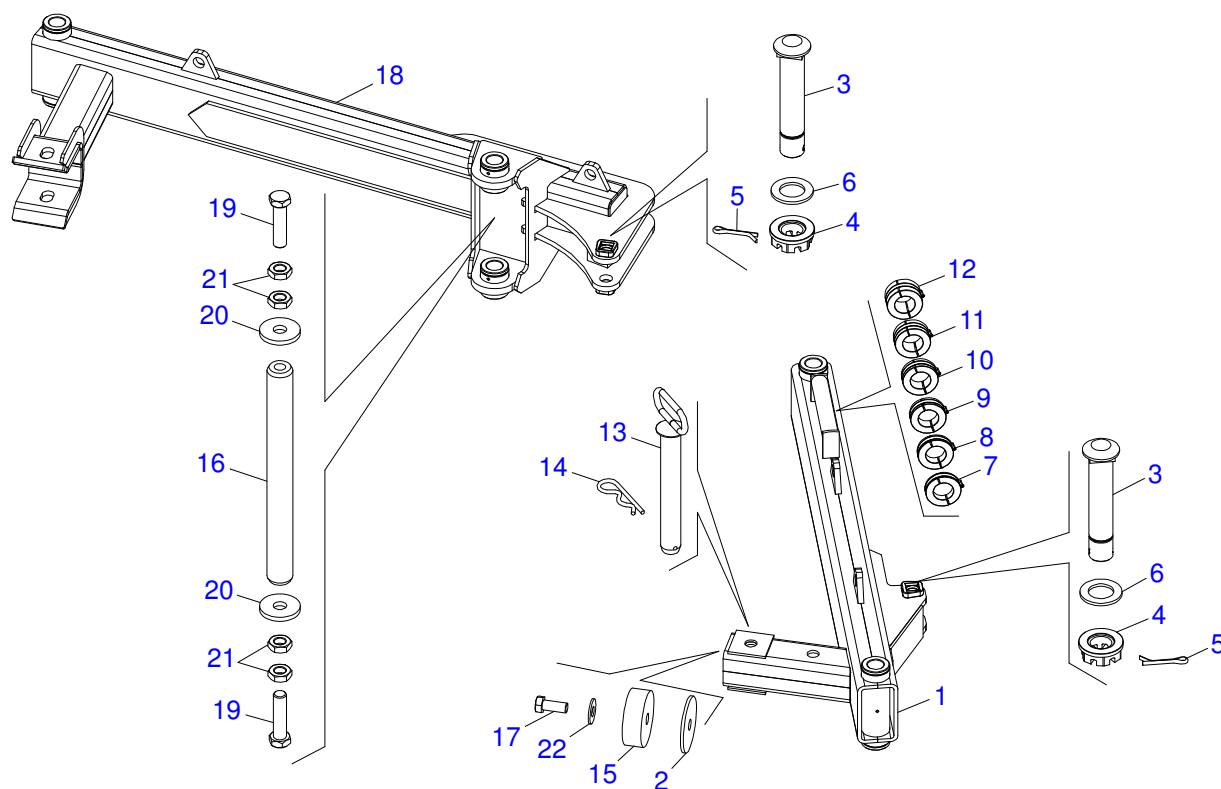
Item	Code	Description	See page	QT
01	0501110738	CARRYING WHEEL HUB		01
01A	0502012260	CAIXA RODADO TRANSPORTE		01
01B	0503010064	5/8 UNF CONIC NUT		08
01C	0501010186	PARAFUSO ROD 5/8UNF X 2.1/8CR		08
02	0503011156	ROLAMENTO 2780/2720 IMP		01
03	0503010008	ROLAMENTO 3780/37203		01
04	0503013314	RETENTOR 5166-GB 63,5 X 110 X 13 ARCA		01
05	0511012494	SPINDLE		01
06	0511012492	ARRUELA LISA 28 X 46 X 6,30		01
07	0503030009	1" CASTLE NUT		01
08	0503010018	5/32 X 1-1/2 COTTERPIN		01
09	0502020591	PROTECCION COVER		01
10	0503011444	SPRING WASHER		04
11	0503010358	5/16" X 5/8" BOLT		04
12	0503010002	1800 GREASE FITTING		01



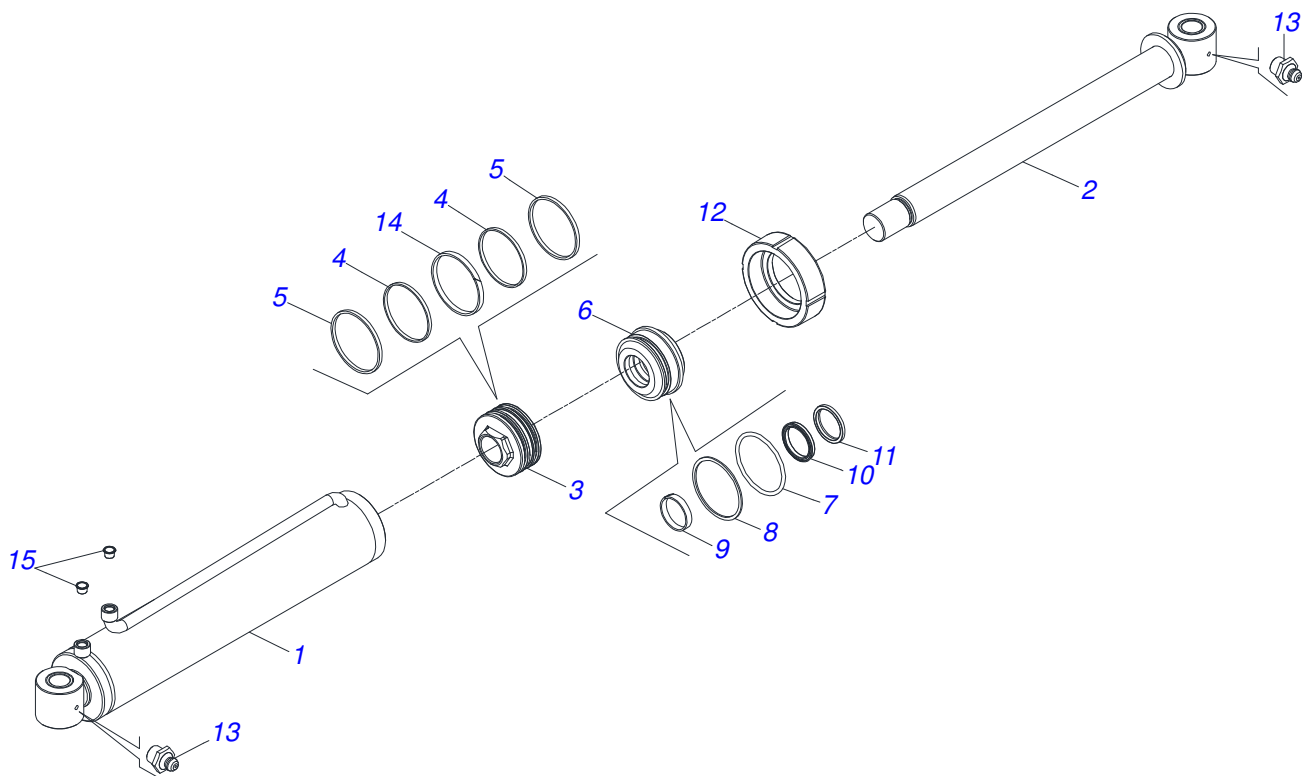
Item	Code	Description	See page	QT
01	0511068355	DRAWBAR ASSY		01
02	0521053839	HYDRAULIC CYLINDER	14	01
03	0501017779	FLAT WASHER		04
04	0503011877	0.3" X 2.4" SPRING PIN		02
05	0551016033	AXLE		01
06	0503010012	1" SPRING WASHER		02
07	0503011250	1" X 2" BOLT		02
08	0521011565	FLAT WASHER		02
09	0531019171	1.25" X 7" COUPLING SHAFT		01
10	0503010523	1/4" X 2" COTTERPIN		01
11	0501040257	3/4 X 1200 HOSE HOLDER A		01



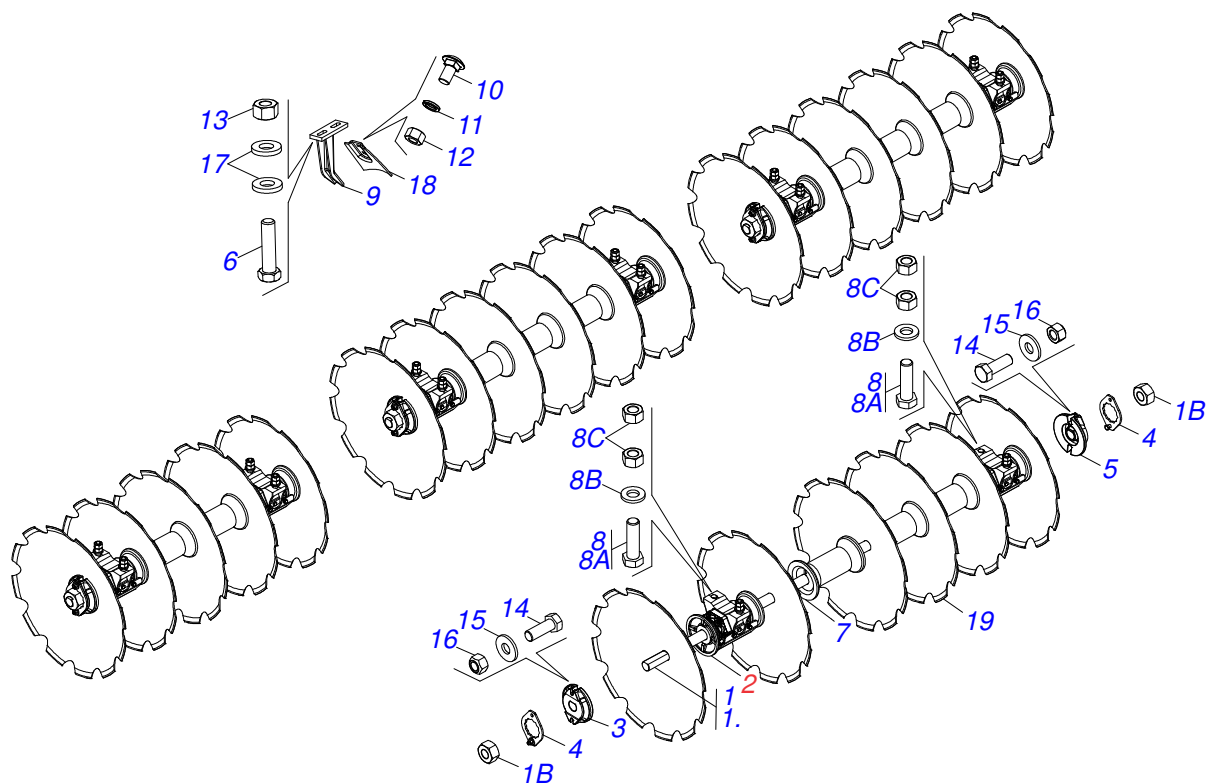
Item	Code	Description	See page	QT
001	0521061684	56,98 X 590,50 TURNBUCKLE		01
001.	0541014557	SLEEVE INTER		02
002	0521069098	CYLINDER CASE		01
003	0502012644	RING SUPPORT		01
004	0502011222	0.56" MOBILE COVER		01
005	0503010002	1800 GREASE FITTING		02
006	0503015715	SCRAPER SEALING		01
007	0503015642	U-CUP SEALING		01
008	0503015641	RING SLYDRING		01
009	0503011892	2-346 N 3006-9B O'RING		01
010	0503011893	8-346 BACK-UP RING		01
011	0503030384	CON N-001 PLUG		02
012	0503015640	SEALING SELEMASTER		01
013	0561016578	PISTON BODY		01
014	0581015283	BODY		01
015	0503819100	SCREW		01



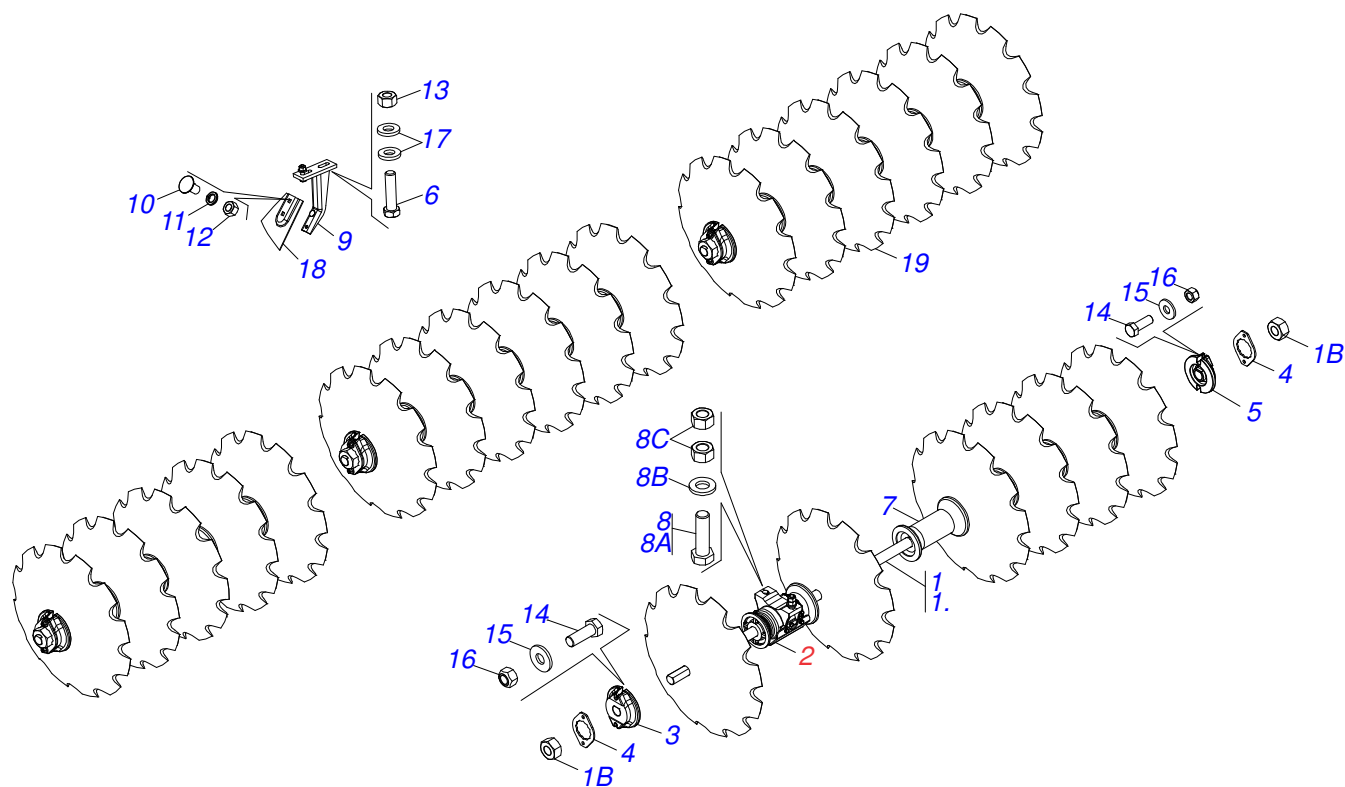
Item	Code	Description	See page	QT
01	0521069719	FRONT ESTAB BAR	01	
02	0571013284	FLAT WASHER	01	
03	0531018100	37,50 X 200 COUPLING SHAFT	02	
04	0501011301	1.1/2 UNC 6FPP 2.5/16 NUT	02	
05	0503010010	1/4" X 2.1/2" COTTERPIN	02	
06	0501012916	FLAT WASHER 38,50 X 66 X 4,75 ZN	02	
07	0511042161	2.1/2" ROD STOP ASSY	01	
08	0511042162	2.1/2" ROD STOP ASSY	01	
09	0511042163	2.1/2" ROD STOP ASSY	01	
10	0511042164	2.1/2" ROD STOP ASSY	01	
11	0511042165	2.1/2" ROD STOP ASSY	01	
12	0511042166	2.1/2" ROD STOP ASSY	01	
13	0501069350	230 PIVOT SHAFT WITH PULL	01	
14	0503031035	HAIR PIN	01	
15	0521011481	BEATER FRAME	01	
16	0521011569	20" COUPLING SHAFT	01	
17	0503011267	5/8" X 1.1/2" BOLT	01	
18	0521069720	REAR STABILIZER BAR	01	
19	0503012660	1" X 4" BOLT	02	
20	0521011565	FLAT WASHER	02	
21	0503013635	1" NUT	04	
22	0571010265	FLAT WASHER	01	



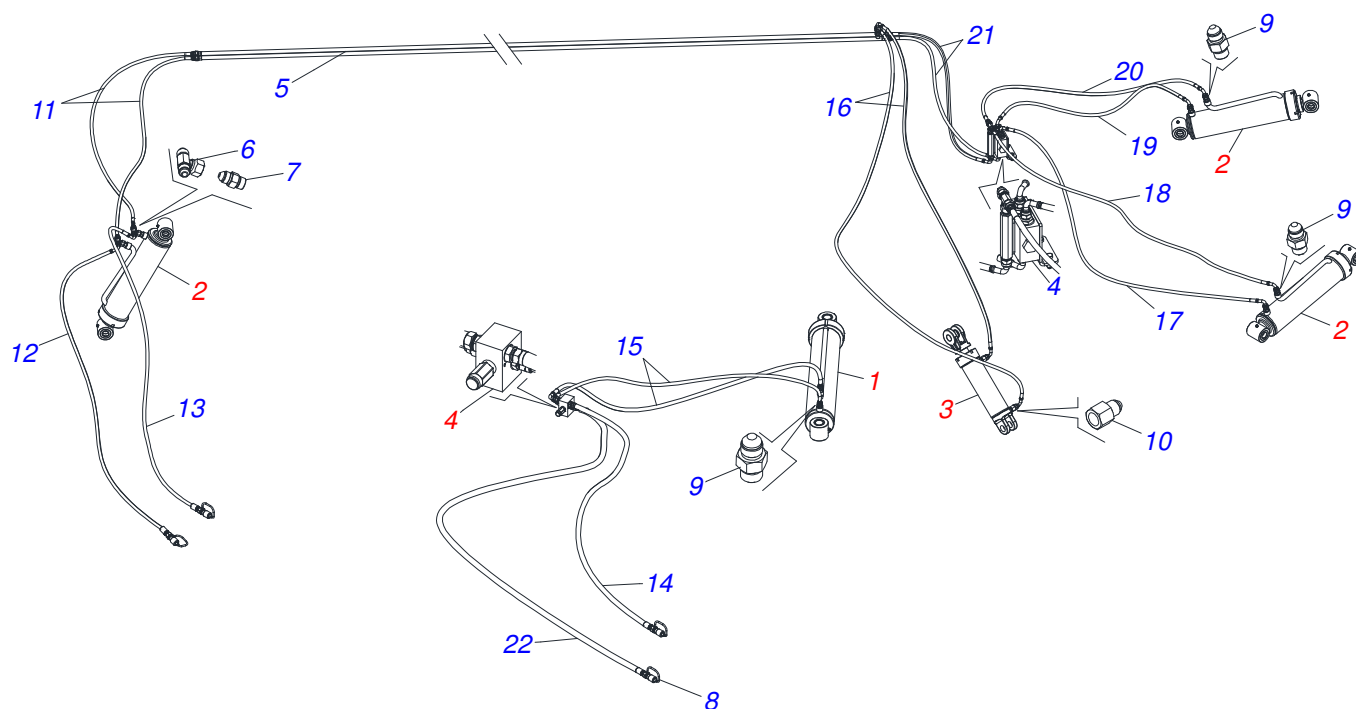
Item	Code	Description	See page	QT
01	0511068001	127 X 783 CYLINDER CASE		01
02	0511068088	63,50 X 787 TURNBUCKLE		01
03	0502011563	PISTON		01
04	0503012593	RUBBER RING		02
05	0503012592	RING (TEFLON)		02
06	0502010966	2.5" X 5" RING SUPPORT		01
07	0503010351	2-425 N 3006-9B O'RING		01
08	0503011062	8-425 BACK-UP RING		01
09	0503010971	W2-2750-500 PK RING G.I		01
10	0503010288	PACKING 2500-2500-375-B		01
11	0503010287	D-2500 SCRAPER RING		01
12	0502010382	5" HEAD		02
13	0503012590	SEAL RING		02
14	0503012590	SEAL RING		01
15	0503030384	CON N-001 PLUG		02



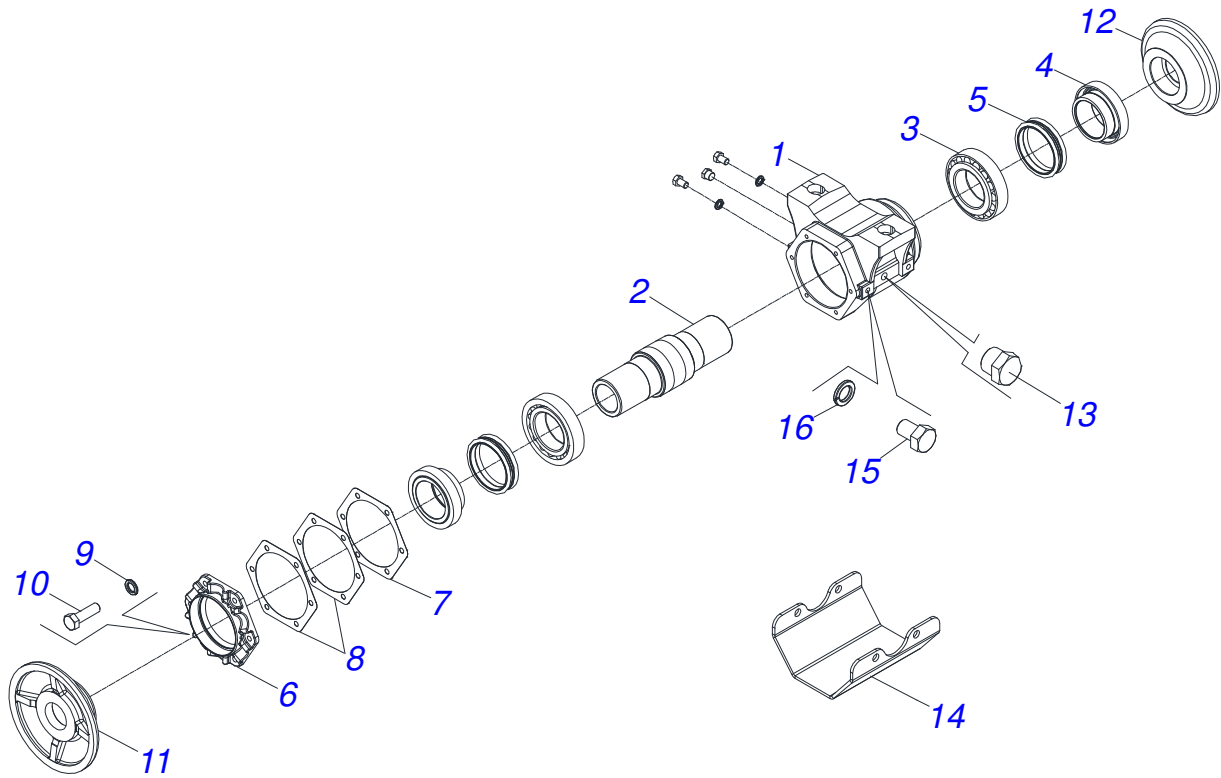
Item	Code	Description	See page	QT
01	052105358	AXLE		01
01.	0511053649	2-1/8 X 2045 AXLE WITH NUT		02
01.A	0571014259	2-1/8 X 2495 AXLE		02
01A	0581019810	AXLE		01
01B	0502040063	2.1/8" X 54 99 NUT		06
02	0521044706	OIL BATH BEARING	20	06
03	0502010595	2-1/8" INNER AXLE WASHER		03
04	0541010368	NUT LOCK		06
05	0502010594	2-1/8" EXTERNAL AXLE WASHER		03
06	0501010500	3/4"X3"BOLT		34
07	0581018689	SPACER		08
08	052105359	SCREW ASSEMBLY		12
08A	0501010171	PARAFUSO 1 UNC X 3.1/2 C S G.5		12
08B	0501016545	FLAT WASHER		12
08C	0503012182	1" NUT		24
09	0511064771	FRONT SCRAPER SUPPORT		17
10	0503012195	5/8" NUT		34
11	0503010027	SPRING WASHER		34
12	0503010013	5/8" NUT		34
13	0503010014	3/4" NUT		34
14	0503010232	5/8" X 1.3/4" BOLT		06
15	0501012140	FLAT WASHER		06
16	0503012412	HEX SELF ADJUSTING NUT 5/8 UNC S		06
17	0541010763	FLAT WASHER		34
18	0521013678	FRONT CLEANER		17
19	0602044195	NOTCHED DISC BLADE		17
19.	0602046013	34" X 0.3" NOTCHED DISC BLADE		17



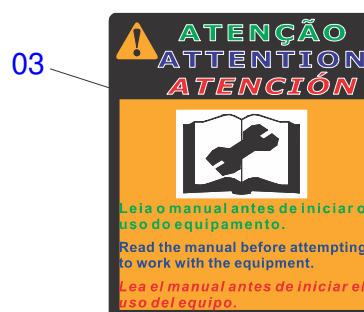
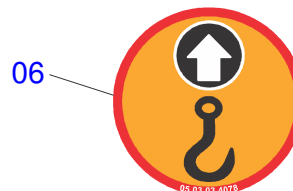
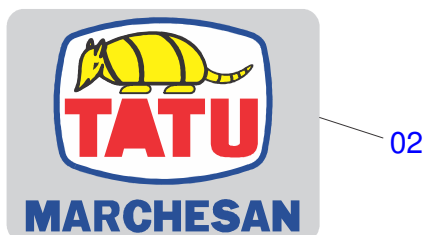
Item	Code	Description	See page	QT
01	052105358	AXLE		01
01.	0511053649	2-1/8 X 2045 AXLE WITH NUT		02
01.A	0571014259	2-1/8 X 2495 AXLE		02
01A	0581019810	AXLE		01
01B	0502040063	2.1/8" X 54 99 NUT		06
02	0521044706	OIL BATH BEARING	20	06
03	0502010595	2-1/8" INNER AXLE WASHER		03
04	0541010368	NUT LOCK		06
05	0502010594	2-1/8" EXTERNAL AXLE WASHER		03
06	0501010500	3/4"X3"BOLT		34
07	0581018689	SPACER		08
08	052105359	SCREW ASSEMBLY		24
08A	0501010171	PARAFUSO 1 UNC X 3.1/2 C S G.5		24
08B	0501016545	FLAT WASHER		24
08C	0503012182	1" NUT		48
09	0511064771	FRONT SCRAPER SUPPORT		17
10	0503012195	5/8" NUT		34
11	0503010027	SPRING WASHER		34
12	0503010013	5/8" NUT		34
13	0503010014	3/4" NUT		17
14	0503010232	5/8" X 1.3/4" BOLT		12
15	0501012140	FLAT WASHER		12
16	0503012412	HEX SELF ADJUSTING NUT 5/8 UNC S		12
17	0541010763	FLAT WASHER		68
18	0521013679	REAR CLEANER		17
19	0602044195	NOTCHED DISC BLADE		17
19.	0602046013	34" X 0.3" NOTCHED DISC BLADE		17



Item	Code	Description	See page	QT
01	0511045489	CILINDRO HIDRAULICO	16	01
02	0521053839	HYDRAULIC CYLINDER	14	03
03	0511058424	HYDRAULIC CYLINDER	7	01
04	0511057534	FLOW DIVIDING VALVE ASSY	10	01
05	0521069717	OIL TUBE		02
06	0503037376	T ADAPTER WITH NUT		03
07	0561014252	3/4 UNF X 44 NIPPLE WITH REDUCTION		03
08	0501053834	MALE QUICK COUPLING AGRICULTURAL WITH COVER - 1/2 NPT		04
09	0501010617	3/4" NIPPLE		06
10	0511018012	1/8" HIDRAULIC ADAPTER		02
11	0501080048	3/8" X 78" TR-TR HOSE ASSY		02
12	0521054614	TC - TM HOSE		01
13	0521054613	TC-TM HOSE		01
14	0521054611	HOSE TR-TM		01
15	0501080123	1/2" X 31" TR-TC HOSE ASSY		01
16	0501081416	HOSE TR-TC		02
17	0501081430	HOSE TC-TR		01
18	0501080644	3/8" X 78.7" TC-TC HOSE ASSY		01
19	0501080249	3/8" X 33" TR-TC HOSE ASSY		01
20	0501080571	HOSE 3/8 X 850 TC-TC		01
21	0501080375	3/8 X 600 TR-TC HOSE ASSY		02
22	0521054609	HOSE TR-TM		01



Item	Code	Description	See page	QT
001	0502012771	BEARING BOX		01
002	0502040034	BEARING AXLE		01
003	0503010117	32216 ROLLER BEARING		02
004	0502040123	SEAL RETAINER		02
005	0503030028	JB-257 SEAL		02
006	0502012772	BEARING COVER		01
007	0503034044	JOINT		01
008	0503034045	JOINT		01
009	0503011443	SPRING WASHER		06
010	0503010751	C3/8" X 1.1/4" HEX BOLT G.5		06
011	0502012774	BEARING OUTER FLANGE		01
012	0502012773	BEARING INNER FLANGE		01
013	0503010856	OIL PLUG		02
014	0571017204	PROTECTION COVER		01
015	0503011401	1/2" X 3/4" BOLT		04
016	0503010019	1/2" SPRING WASHER		04
017	3402301247	OIL MINERAL GREASE		01



Item	Code	Description	See page	QT
01	0503034738	ADHESIVE LABEL GAP-TL		01
02	0503034070	ADHESIVE LABEL		01
03	0503031428	ADHESIVE LABEL ATTENTION		01
04	0503031087	ADHESIVE LABEL		01
05	0503031827	ADHESIVE LABEL		01
06	0503034078	ADHESIVE LABEL POINTS FOR LIFTING		02



MARCHESAN IMPLEMENTOS E MÁQUINAS AGRÍCOLAS TATU S.A.

AV. Marchesan, 1979 - Post office box, 131 - CEP 15994-900 - Matão - SP - Brazil

Phone +55 16.3382-8282

(FAX Parts) + 55 16.3382. 8297 - (Export) + 55 16.3382.1003

e.mail: tatu@marchesan.com.br www.marchesan.com.br

Technical Publications: Elaboration

MARINA PEREZ NIZA

Technical Publications: Revision

JOSÉ DOMINGOS GASPARI

Contact Catálogo:

E-mail = jgaspari@marchesan.com.br

**ORIGINAL PARTS
TATU**

