

OFFSET DISK HARROW

GAI-TL - 48D
GAI-TL - 48D

Code: 0501092502
Series: S-0818
Revision: 00
Revision Date: FEBRUARY/2022

PARTS CATALOGUE



MARCHESAN



PRODUCTS

Code	Working Width	Description	
0102250158		GAI -TL 48 X 28 X 7,50 DR DM	S-0818
0102250160		GAI -TL 48 X 30 X 7,50 DR DM	S-0818

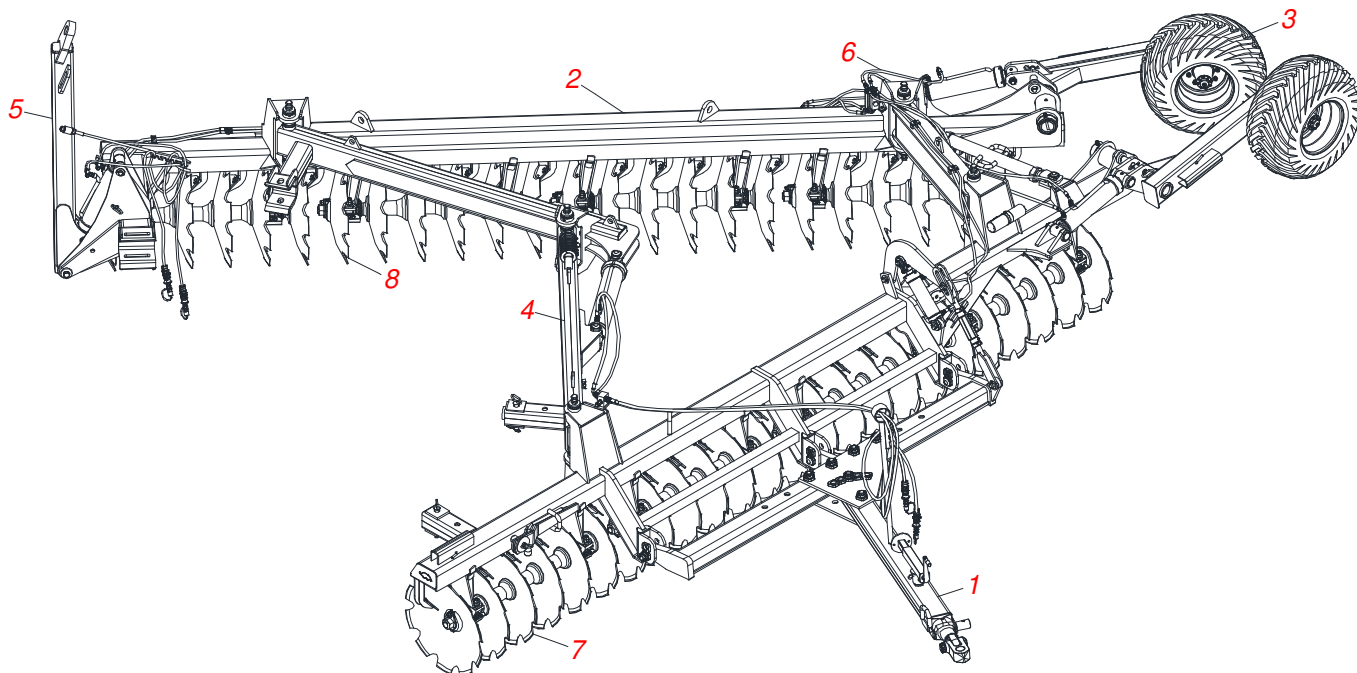
ATTENTION: IMPORTANT

Marchesan S.A. reserves the right to improve and/or modify the technical features of its products, without obligation to do the same with those products already sold and without prior knowledge of the dealer or the customer. The photos are only illustrative.

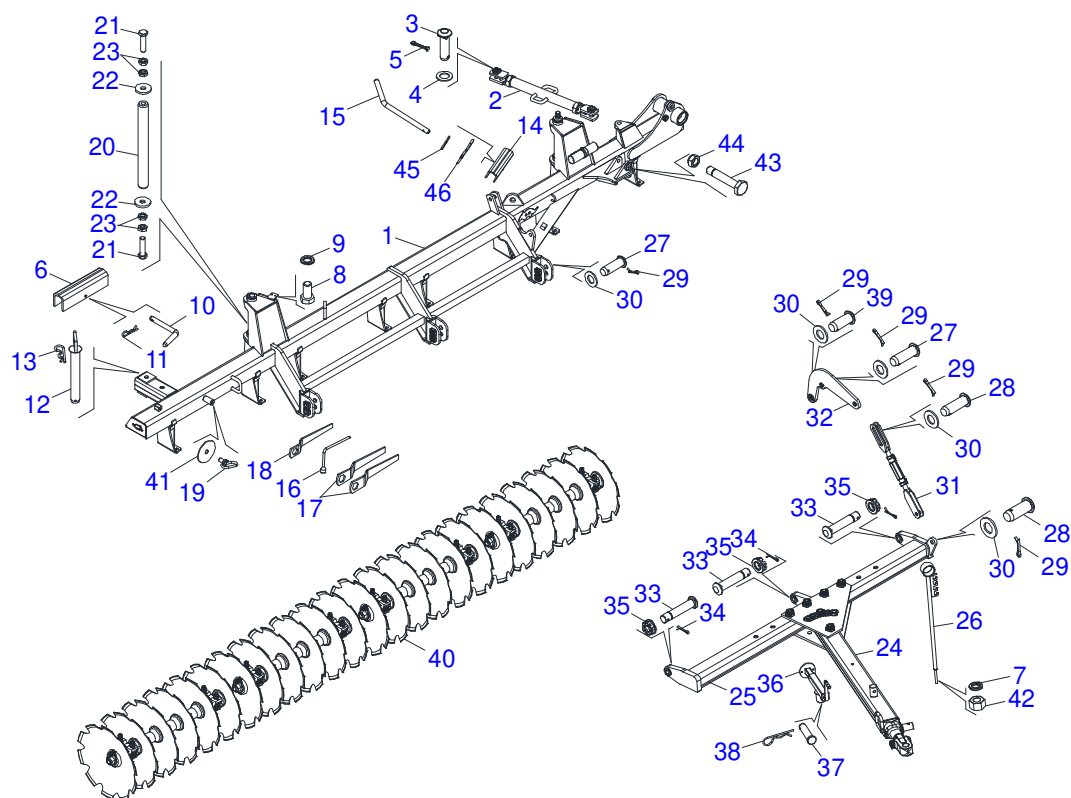


INDEX

0909095343	FRAME ASSEMBLY - 48D	1
0909095321	FRONT FRAME - 48D	2
0501057339	JOINT TURNBUCKLE ASSY	3
0501057463	TURNBUCKLE ASSY	4
0511048088	DRAWBAR JACK	5
0909095317	REAR FRAME - 48D	6
0909095318	RIGHT/LEFT WHEEL SYSTEM - 48D	7
0501051885	CARRYING-WHEELS	8
0909095319	ARTICULATION ASSY - 48D	9
0909095320	REAR HITCH ASSY - 48D	10
0909095316	HYDRAULIC CIRCUIT - 48D	11
0511045489	63,5 X 127 X 890 X 605 HYDRAULIC CIRCUIT	12
0521053839	HYDRAULIC CYLINDER	13
0511058424	HYDRAULIC CYLINDER	14
0511057534	FLOW DIVIDING VALVE	15
0501053834	MALE QUICK COUPLER	16
0501042903	DISCHARGE VALVE ASSY	17
0909095336	FRONT GANG DISC - 48D	18
0909095342	REAR GANG DISC - 48D	19
0511041509	BEARING	20
0909095344	ADHESIVE	21



Item	Code	Description	See page	QT
01		FRONT FRAME - 48D	2	
02		REAR FRAME - 48D	6	
03		RIGHT/LEFT WHEEL SYSTEM - 48D	7	
04		ARTICULATION ASSY - 48D	9	
05		REAR HITCH ASSY - 48D	10	
06		HYDRAULIC CIRCUIT - 48D	11	
07		FRONT GANG DISC - 48D	18	
08		REAR GANG DISC - 48D	19	

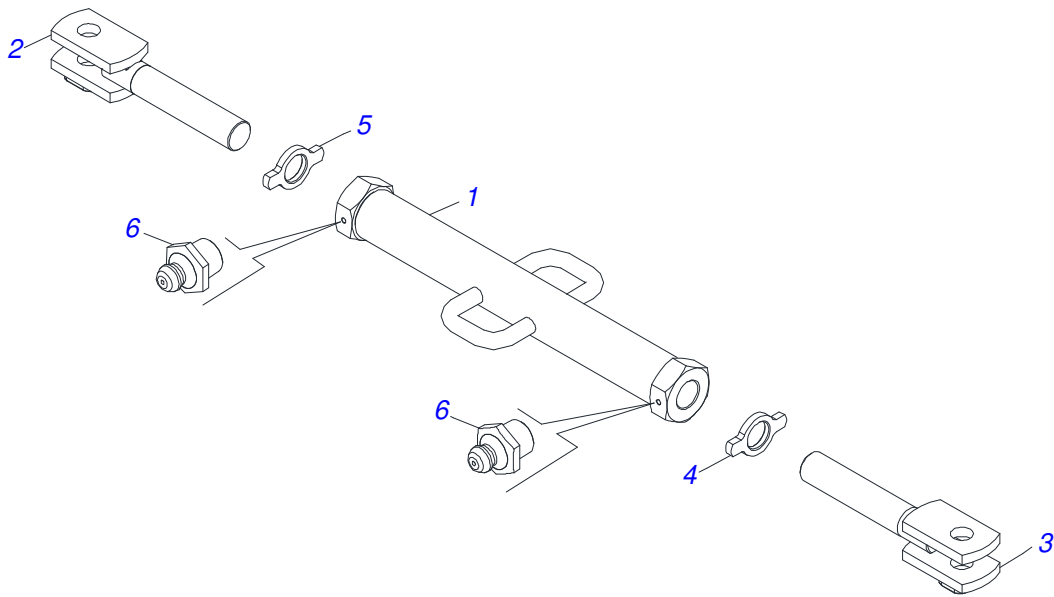


Item	Code	Description	See page	QT
01A	0521069094	FRONT FRAME - 48D		01
02	0501057339	JOINT TURNBUCKLE ASSY	3	01
03	0521012868	1.4" X 5" PIVOT SHAFT		02
04	0501012916	FLAT WASHER 40 X 66 X 4,75 ZN		02
05	0503010534	3/8" X 2.1/2" SPLIT PIN		02
06	0561016693	TRANSPORT LOCK		01
07	0503010023	3/4" SPRING WASHER		01
08	0503011334	BOLT 3/8" UNC X 3/4" CS G.5 ZN		02
09	0503010025	3/8 SPRING WASHER		02
10	0541016844	FIXER LOCK		01
11	0503030168	HITCH PIN CLIP		01
12	0501069350	230 PIVOT SHAFT WITH PULL		01
13	0503031035	HITCH PIN CLIP		01
14	0511010420	8.5" X 1.8" TRANSPORT LOCK		01
15	0511013425	LOCK PIN		01
16	0503033367	1" WRENCH CYLINDRICAL HEX		01
17	0501061044	2-1/8" AND 2-1/2" CABLE FLAT WRENCH		02
18	0501011432	1-1/2" AND 1-5/8 GANG BOLT WRENCH		01
19	0501069343	WRENCH FIXER		01
20	0521011569	20" COUPLING SHAFT		01
21	0503012660	1" X 4" BOLT		04
22	0521011565	FLAT WASHER		04
23	0503013635	1" NUT		08
24	0511041592	ASSY TRACTION BAR (PIN 3)		01
25	0521069718	OFFSET BAR		01
26	0521062849	HOSE HOLDER ASSY		01
27	0521010779	31.75 X 95 COUPLING SHAFT		02
28	0521010779	31.75 X 95 COUPLING SHAFT		04
29	0503010523	1/4" X 2" SPLIT PIN		04
30	0501017779	FLAT WASHER 32 X 60 X 4,75		04

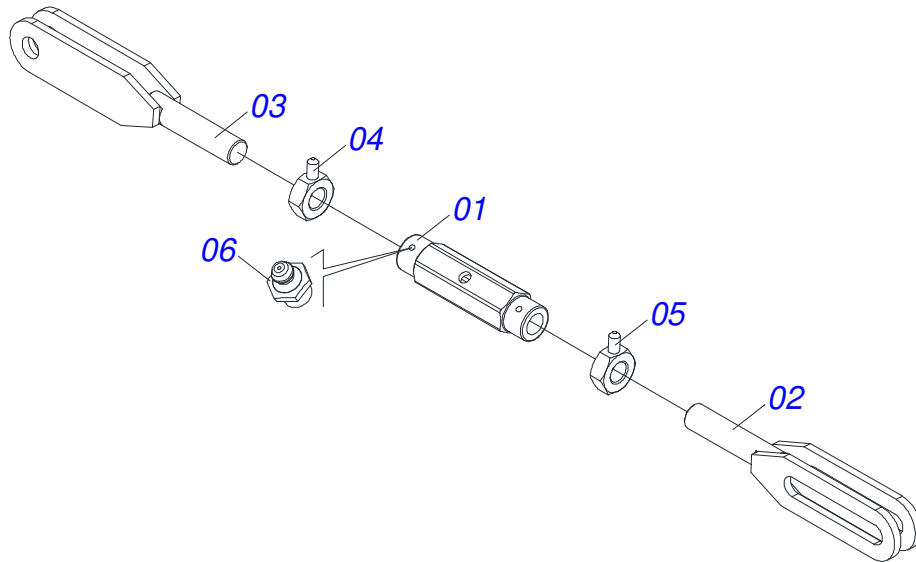


GAI-TL - 48D
FRONT FRAME - 48D

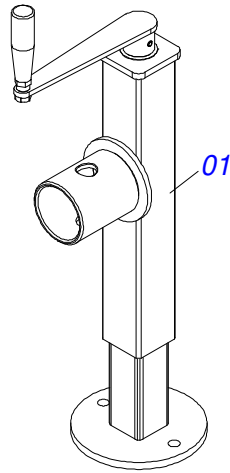
Item	Code	Description	See page	QT
31	0501057463	TURNBUKLE ASSY	4	01
32	0511068771	ARTICULATOR BODY		01
33	0531018099	37,50 X 190 COUPLING SHAFT		03
34	0503010010	SPLIT PIN 1/4" X 2.1/2"		03
35	0501011301	1.1/2" UNC 6FPP 2.5/16" NUT		03
36	0511048088	DRAWBAR JACK	5	01
37	0561014251	COUPLING SHAFT		01
38	0503030012	HITCH PIN CLIP		01
39	0511014394	1.25" X 4.13" COUPLING SHAFT		01
40		FRONT GANG DISC - 48D	18	
41	0521011722	FLAT WASHER		02
42	0503010014	3/4" ZN G.5 (HEAVY) UNC HEX NUT		01
43	0581018185	1.1/4" UNF BOLT		01
44	0503010044	SELF LOCKING NUT 1.1/4 UNF G.5 ZN		01
45	0561811665	FLAT WASHER		01
46	0503030168	HITCH PIN CLIP		01



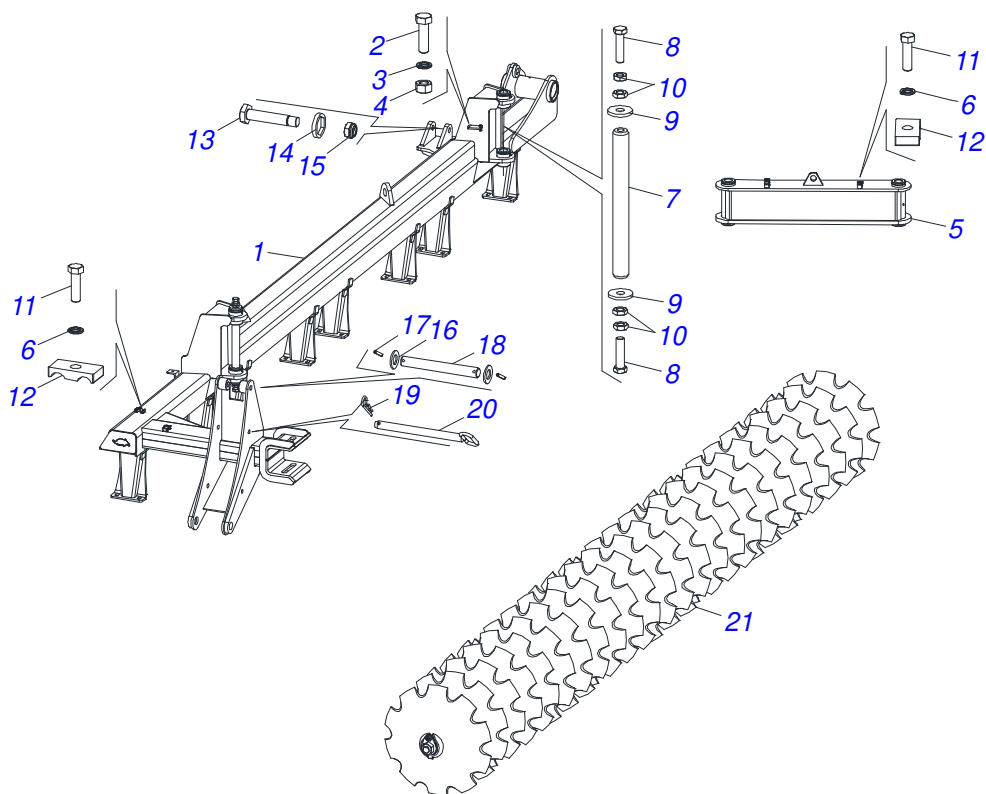
Item	Code	Description	See page	QT
01	0501069332	JOIN TURNBUCKLE		01
02	0501069333	JACK CRANK		01
03	0501069334	JACKET		01
04	0551012908	RIGHT LOCKNUT R 2-1/8"		01
05	0551012909	LEFT LOCKNUT R 2-1/8"		01
06	0503010002	1800 GREASE FITTING		02



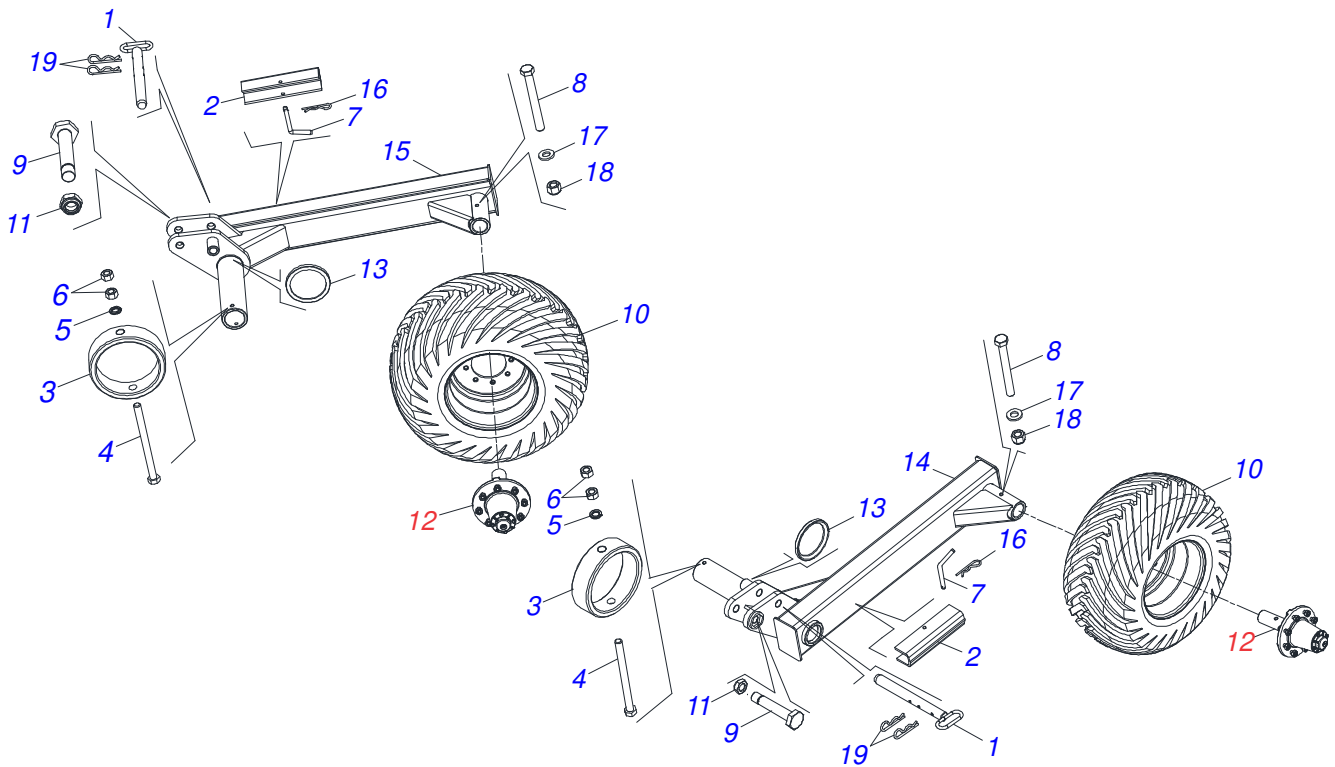
Item	Code	Description	See page	QT
01	0502011469	245 ADJUSTMENT NUT		01
02	0501069339	1.1/2 RIGHT CASE		01
03	0511068350	LEFT JACK CRANK		01
04	0501069342	LOCKNUT WITH LEFT HANDLER		01
05	0501069341	LOCKNUT WITH RIGHT HANDLER		01
06	0503010002	1800 GREASE FITTING		02



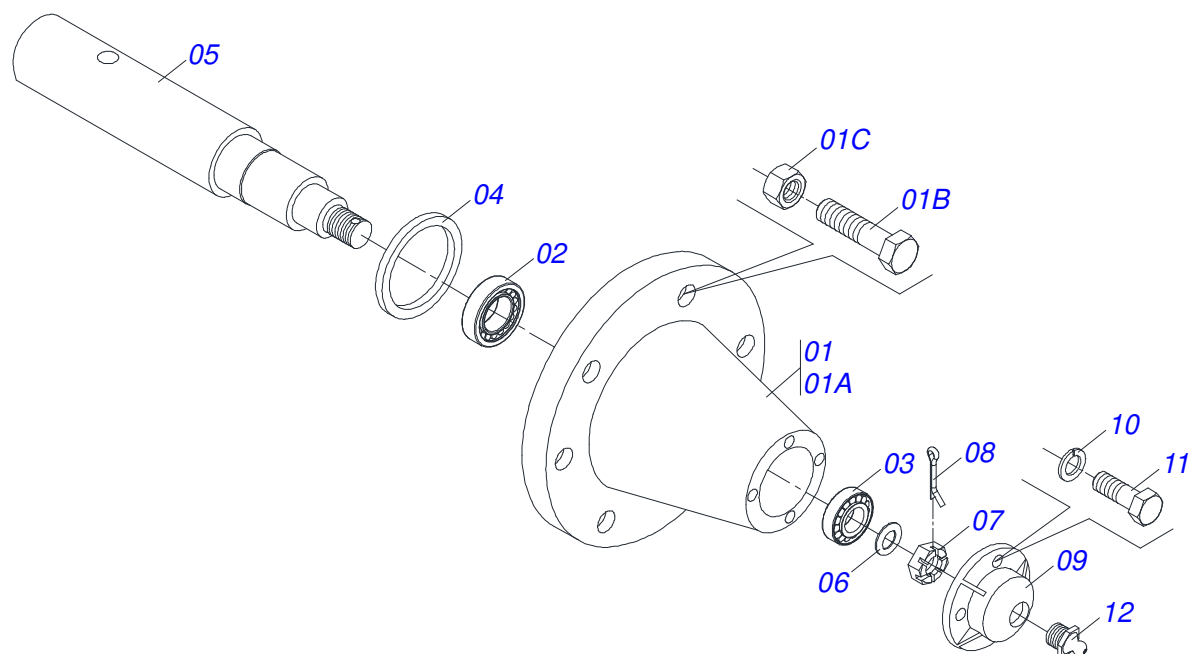
Item	Code	Description	See page	QT
01	0503062227	DRAWBAR JACK		01



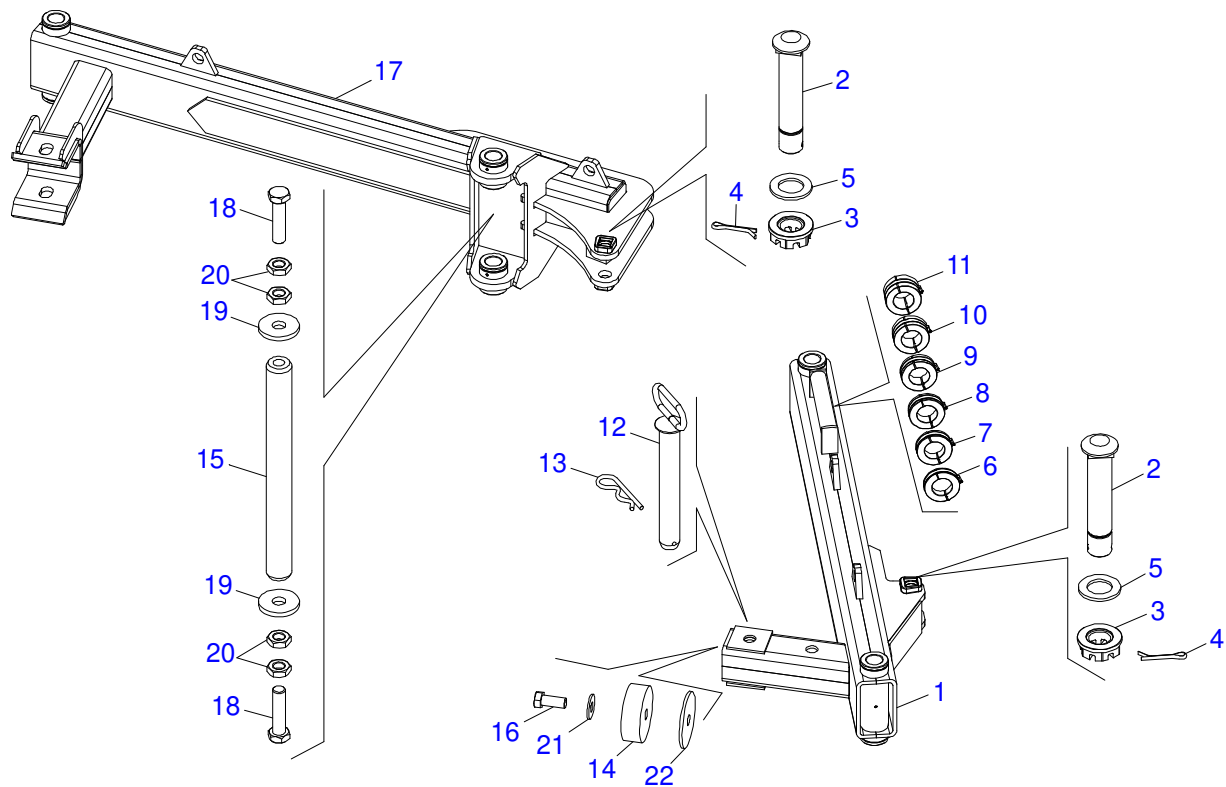
Item	Code	Description	See page	QT
01	0521069093	REAR FRAME - 48D		01
02	0503010751	C3/8" X 1.1/4" HEX BOLT G.5		02
03	0503010025	3/8 SPRING WASHER		02
04	0503010026	3/8" NUT		02
05	0511068470	JOIN		01
06	0503010180	7/16" SPRING WASHER		02
07	0521011569	20" COUPLING SHAFT		02
08	0503012660	1" X 4" BOLT		04
09	0521011565	FLAT WASHER		02
10	0503013635	1" NUT		08
11	0503011135	BOLT 7/16" UNC X 1.1/2" C S G.5 ZN		02
12	0502010477	HOSE CLAMP		02
13	0581018185	1.1/4" UNF BOLT		01
14	0571016042	LOCK WASHER		01
15	0503010044	SELF LOCKING NUT 1.1/4 UNF G.5 ZN		01
16	0501017779	FLAT WASHER 32 X 60 X 4,75		02
17	0503011877	0.3" X 2.4" SPRING PIN		02
18	0551016033	AXLE		01
19	0503031035	HITCH PIN CLIP		01
20	0521069096	COUPLING SHAFT		01
21		REAR GANG DISC - 48D	19	



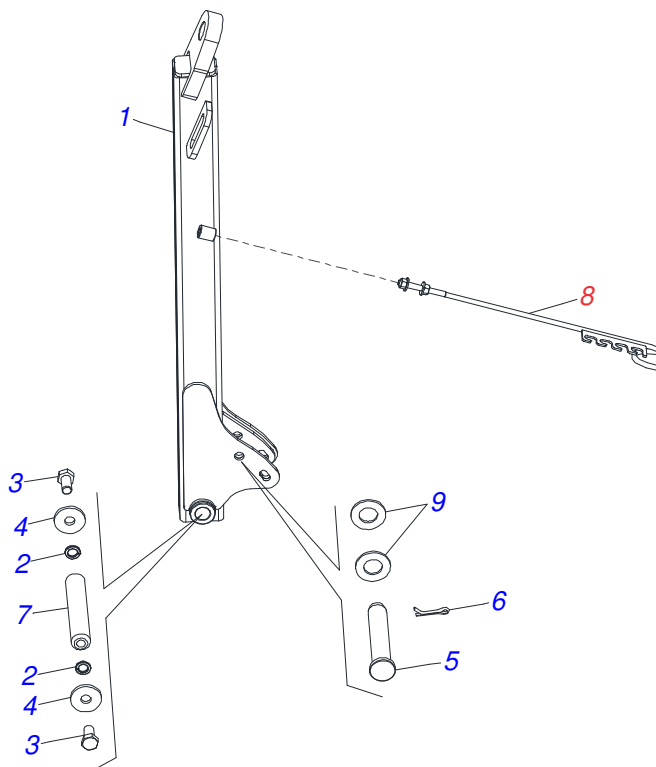
Item	Code	Description	See page	QT
01	0521069358	COUPLING SHAFT		02
02	0561016693	TRANSPORT LOCK		02
03	0521011428	4.5" X 5.5" X 1.6" SLEEVE		02
04	0503010964	BOLT		02
05	0503010019	1/2" SPRING WASHER		02
06	0503010060	1/2 UNC G.5 ZN HEX NUT		04
07	0541016844	FIXER LOCK		02
08	0503010706	BOLT 1/2 UNC X 4.1/2 C S G.5 ZN		02
09	0581018185	1.1/4" UNF BOLT		02
10	0503060102	WHEEL AND TIRE 400/60 - 14L RIGHT		02
11	0503010044	SELF LOCKING NUT 1.1/4 UNF G.5 ZN		02
12	0501051885	CARRYING-WHEELS	8	02
13	0581018186	FLAT WASHER		02
14	0521069092	FRONT CARRYNG WHEELS		01
15	0521069091	REAR CARRYNG WHEELS		01
16	0503030168	HITCH PIN CLIP		02
17	0511017302	FLAT WASHER 13,50 X 32,50 X 3,0 ZN		02
18	0503010589	UNC SELF ADJUSTING NUT 1/2" UNC ALTA G.5 ZN		02
19	0503031035	HITCH PIN CLIP		04



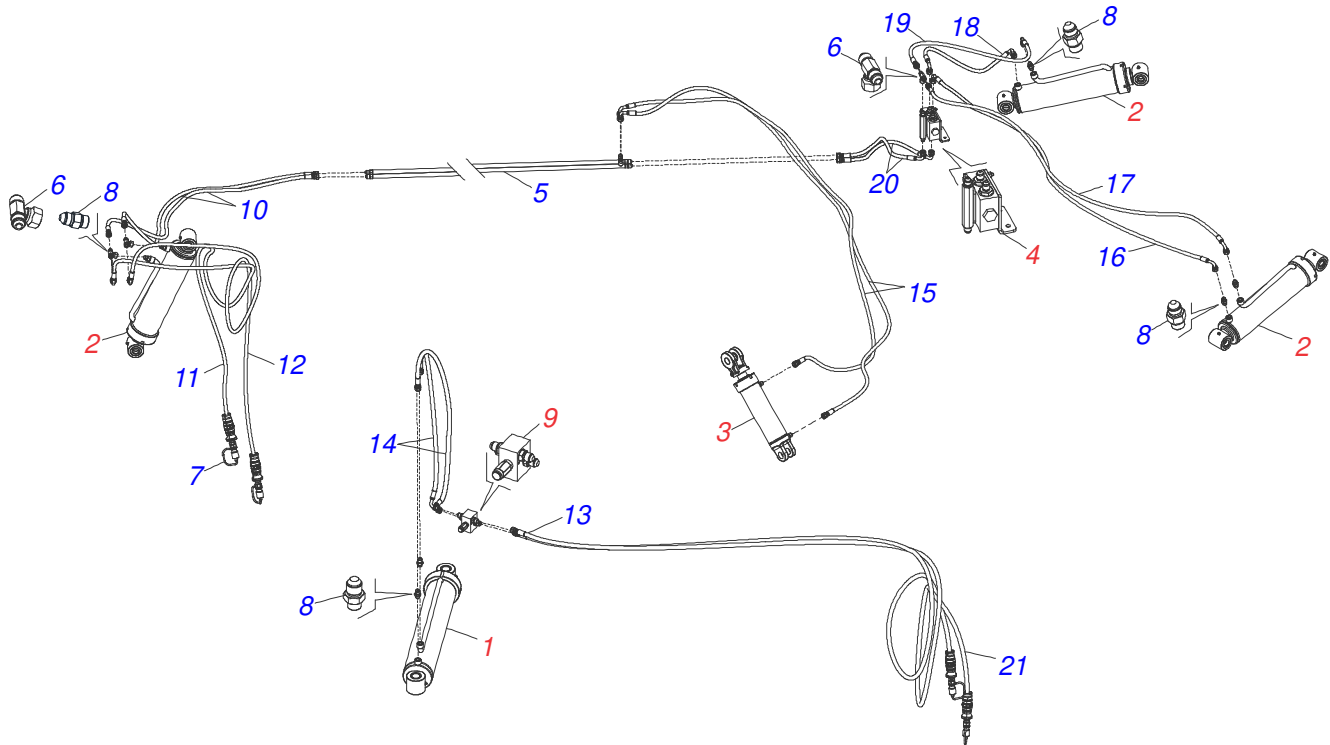
Item	Code	Description	See page	QT
01	0501110738	CARRYING WHEEL HUB 21FT		01
01A	0502012260	TRANSPORT CARRYING-WHEEL HUB		01
01B	0503010064	5/8 UNF CONIC NUT		08
01C	0501010186	WHEEL BOLT 5/8" UNF X 2.1/8CR		08
02	0503011156	2780/2720 IMP ROLLER BEARING		01
03	0503010008	3780/3720 ROLLER BEARING		01
04	0503013314	RETAINER 5166-GB 63,5 X 110 X 13 ARCA		01
05	0511012494	SPINDLE		01
06	0511012492	FLAT WASHER		01
07	0503030009	1" CASTLE NUT		01
08	0503010018	5/32" X 1-1/2" SPLIT PIN		01
09	0502020591	PROTECCION COVER		01
10	0503011444	SPRING WASHER 5/16"		04
11	0503010358	5/16" X 5/8" BOLT		04
12	0503010002	1800 GREASE FITTING		01



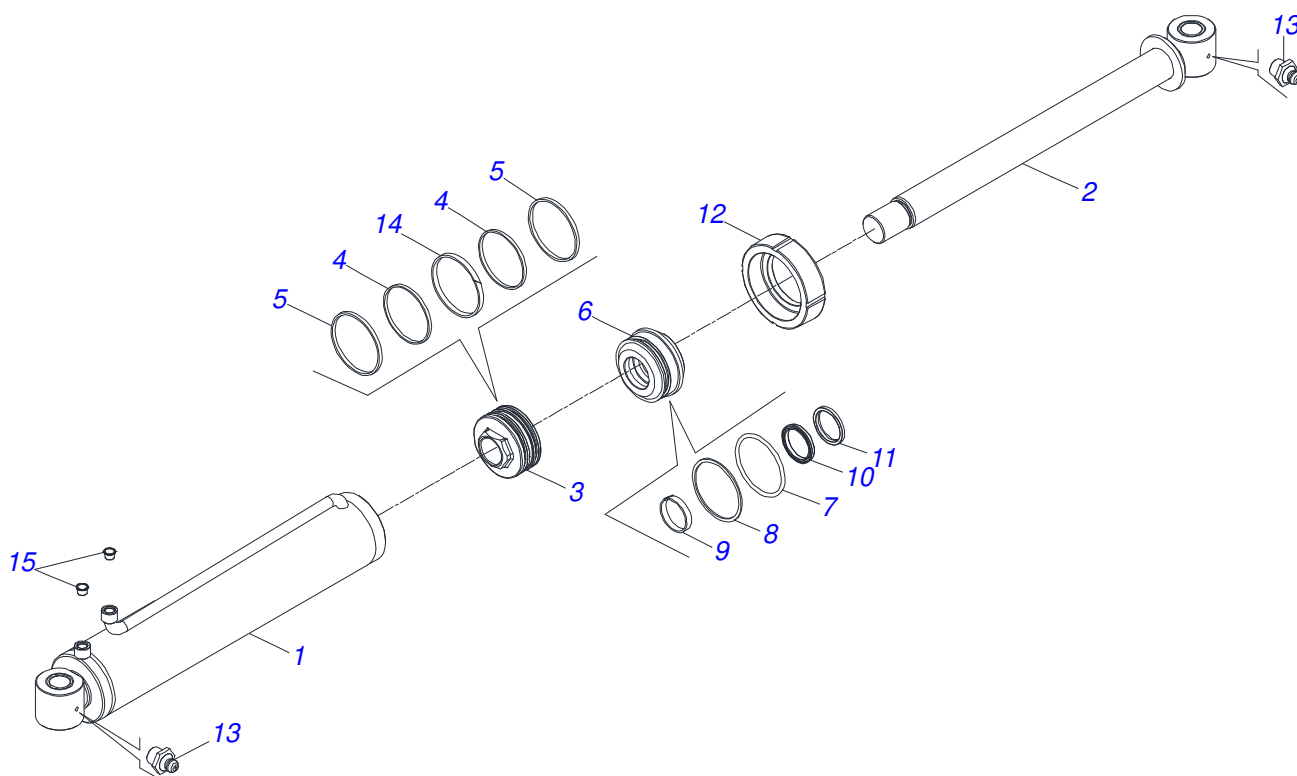
Item	Code	Description	See page	QT
01	0521069719	FRONT STABILIZER BAR		01
02	0531018100	37,50 X 200 COUPLING SHAFT		02
03	0501011301	1.1/2" UNC 6FPP 2.5/16" NUT		02
04	0503010010	SPLIT PIN 1/4" X 2.1/2"		02
05	0501012916	FLAT WASHER 40 X 66 X 4,75 ZN		02
06	0511042161	2.1/2" ROD STOP ASSY		01
07	0511042162	2.1/2" ROD STOP ASSY		01
08	0511042163	2.1/2" ROD STOP ASSY		01
09	0511042164	2.1/2" ROD STOP ASSY		01
10	0511042165	2.1/2" ROD STOP ASSY		01
11	0511042166	2.1/2" ROD STOP ASSY		01
12	0501069350	230 PIVOT SHAFT WITH PULL		01
13	0503031035	HITCH PIN CLIP		01
14	0521011481	FRAME BATTERY		01
15	0521011569	20" COUPLING SHAFT		01
16	0501010108	5/8" X 1" BOLT		01
17	0511045348	REAR STABILIZER BAR		01
18	0503012660	1" X 4" BOLT		02
19	0521011565	FLAT WASHER		02
20	0503013635	1" NUT		04
21	0571010265	16.5 X 40 X 3 FLAT WASHER		01
22	0571013284	17.5 X 90 X 4.75 FLAT WASHER		01



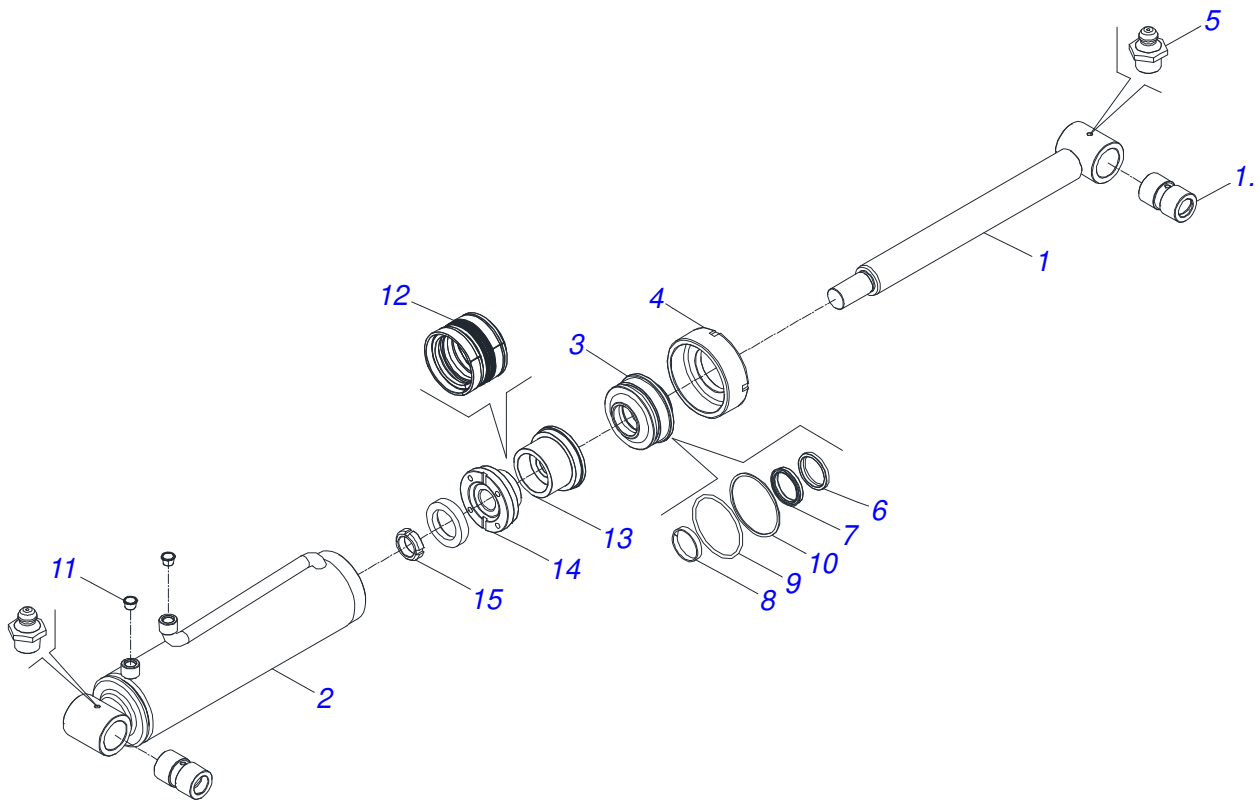
Item	Code	Description	See page	QT
01	0511068355	DRAWBAR ASSY		01
02	0503010012	1" SPRING WASHER		02
03	0503011250	1" X 2" BOLT		02
04	0521011565	FLAT WASHER		02
05	0531019171	1.25" X 7" COUPLING SHAFT		01
06	0503010523	1/4" X 2" SPLIT PIN		01
07	0551014100	COUPLING SHAFT		01
08	0501040257	3/4" X 38" HOSE SUPPORT ASSY		01
09	0501017779	FLAT WASHER 32 X 60 X 4,75		04



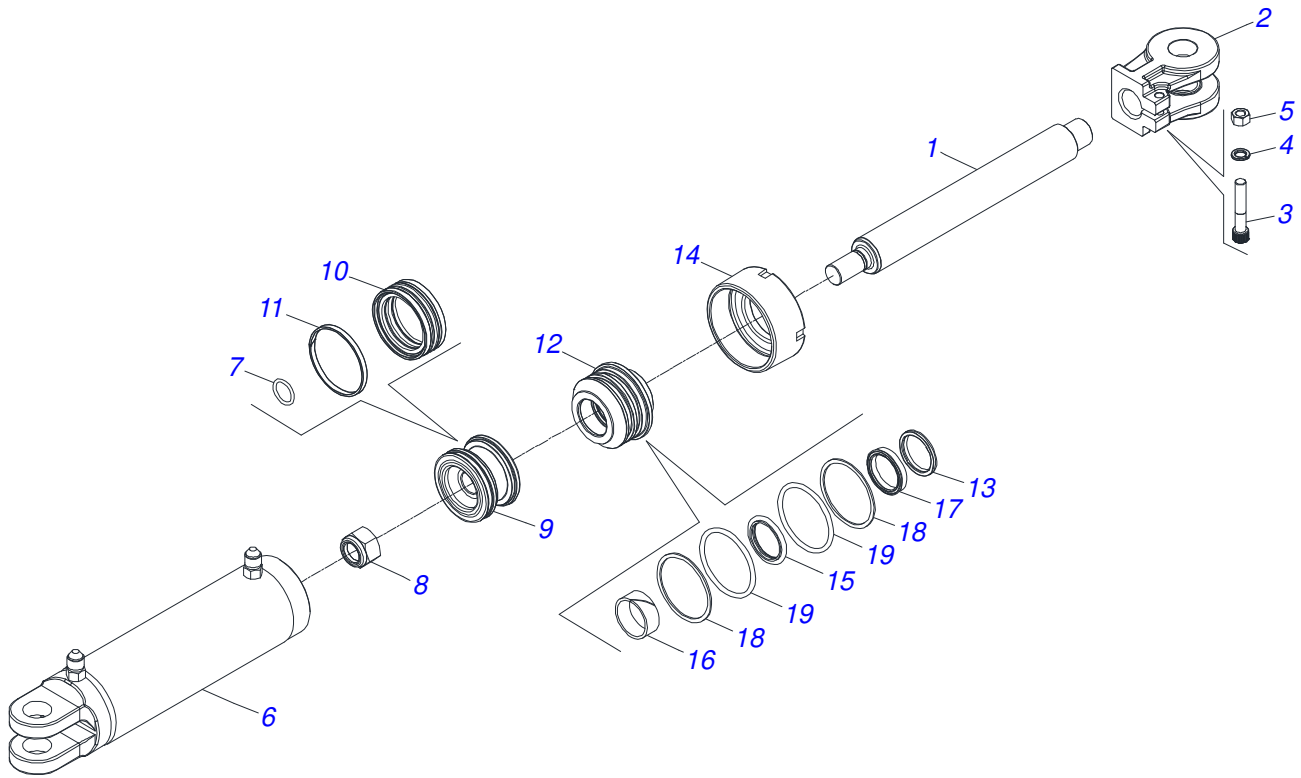
Item	Code	Description	See page	QT
01	0511045489	63,5 X 127 X 890 X 605 HYDRAULIC CIRCUIT	12	01
02	0521053839	HYDRAULIC CYLINDER	13	03
03	0511058424	HYDRAULIC CYLINDER	14	01
04	0511057534	FLOW DIVIDING VALVE	15	01
05	0521069101	DISTRIBUTOR OIL TUBE		02
06	0503037376	3/4" T ADAPTER WITH SWIVEL NUT		03
07	0501053834	MALE QUICK COUPLER	16	04
08	0501010617	NIPLER 3/4" NF X 3/4" NF HEX. 7/8" X 44		08
09	0501042903	DISCHARGE VALVE ASSY	17	01
10	0501080048	3/8" X 78" TR-TR HOSE ASSY		02
11	0521054614	TC - TM HOSE		01
12	0521054613	TC-TM HOSE		01
13	0521054611	HOSE TR-TM		01
14	0501080060	1/2" X 63" TR-TC HOSE		02
15	0501080392	3/8 X 3300 TR-TC HOSE		02
16	0501080644	3/8" X 78.7" TC-TC HOSE ASSY		01
17	0501081430	HOSE TC-TR		01
18	0501080571	3/8" X 33" TC-TC HOSE		01
19	0501080249	3/8 X 850 TR-TC HOSE		01
20	0501080375	3/8" X 23,6" TR-TC HOSE		02
21	0521054609	HOSE TR-TM		01



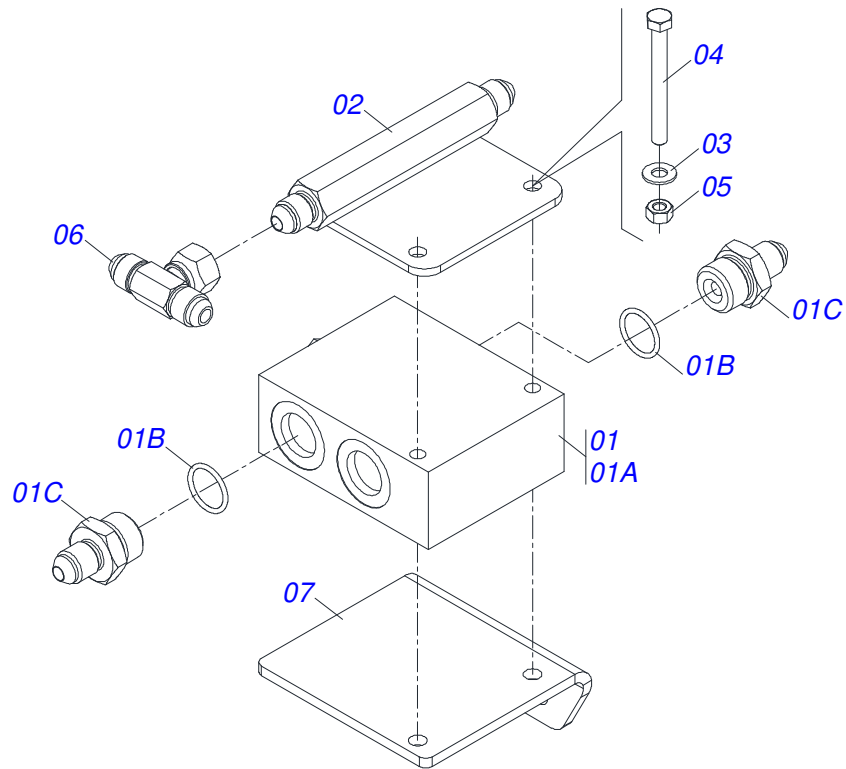
Item	Code	Description	See page	QT
01	0511068001	127 X 783 CYLINDER CASE		01
02	0511068088	63,50 X 787 TURNBUCKLE		01
03	0502011563	PISTON		01
04	0503012593	RUBBER RING		02
05	0503012592	RING (TEFLON)		02
06	0502010966	2.5" X 5" RING SUPPORT		01
07	0503010351	2-425 N 3006-9B O'RING		01
08	0503011062	8-425 BACK-UP RING		01
09	0503010971	W2-2750-500 PK RING G.I		01
10	0503010288	PACKING 2500-2500-375-B		01
11	0503010287	D-2500 SCRAPER RING		01
12	0502010382	5" END CAP		02
13	0503012590	SEAL RING		02
14	0503012590	SEAL RING		01
15	0503030384	CON PLUG N-001		02



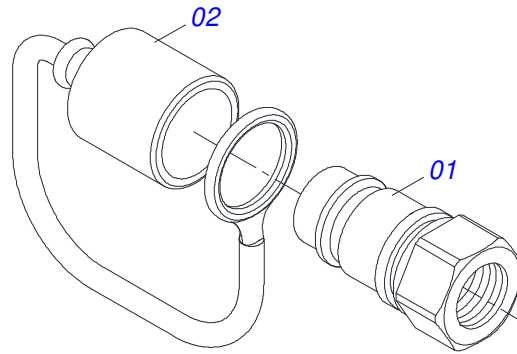
Item	Code	Description	See page	QT
001	0521061684	56,98 X 590,50 TURNBUCKLE		01
001.	0541014557	SLEEVE INTER		02
002	0521069098	CYLINDER CASE		01
003	0502012644	RING SUPPORT		01
004	0502011222	END CAP 4 . 1/2"		01
005	0503010002	1800 GREASE FITTING		02
006	0503015715	SCRAPER SEALING		01
007	0503015642	U-CUP SEALING RUUB000970		01
008	0503015641	WEAR RING		01
009	0503011892	O' RING, 2-346 N 3006-9B		01
010	0503011893	BACK-UP RING, 8-346		01
011	0503030384	CON PLUG N-001		02
012	0503015640	SEALING SELEMASTER		01
013	0561016578	PISTON BODY		01
014	0581015283	BODY		01
015	0503819100	SCREW		01



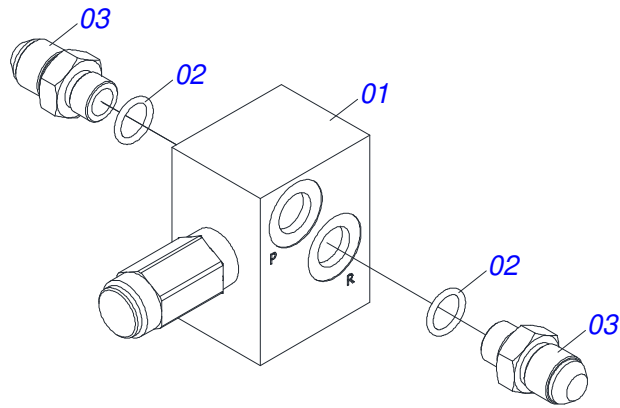
Item	Code	Description	See page	QT
01	0521010421	HYDRAULIC CYLINDER TURNBUCKLE		01
02	0502040747	32.54 CLEVIS CLAMP		01
03	0503011094	BOLT 3/8" UNC X 2" C C S I 12.9		01
04	0503010025	3/8 SPRING WASHER		01
05	0503010026	3/8" NUT		01
06	0511063257	3,4" X 12,3" CYLINDER CASE		01
07	0503010042	2-214 N 3006-9B O'RING		01
08	0503010063	1" SELF-ALIGNING NUT		01
09	0571019710	1.7" X 3.4" PISTON		01
10	0503017935	RING		01
11	0503018144	RING		01
12	0571019711	RING SUPPORT		01
13	0503010761	D-1750 SCRAPER RING		01
14	0571019709	DETACHABLE COVER		01
15	0503017936	RING		01
16	0503017938	RING GUIDE		01
17	0503017937	GASKET		01
18	0503017940	8-337 BACK-UP RING		02
19	0503017939	2-337 N 3006-9B O' RING		02



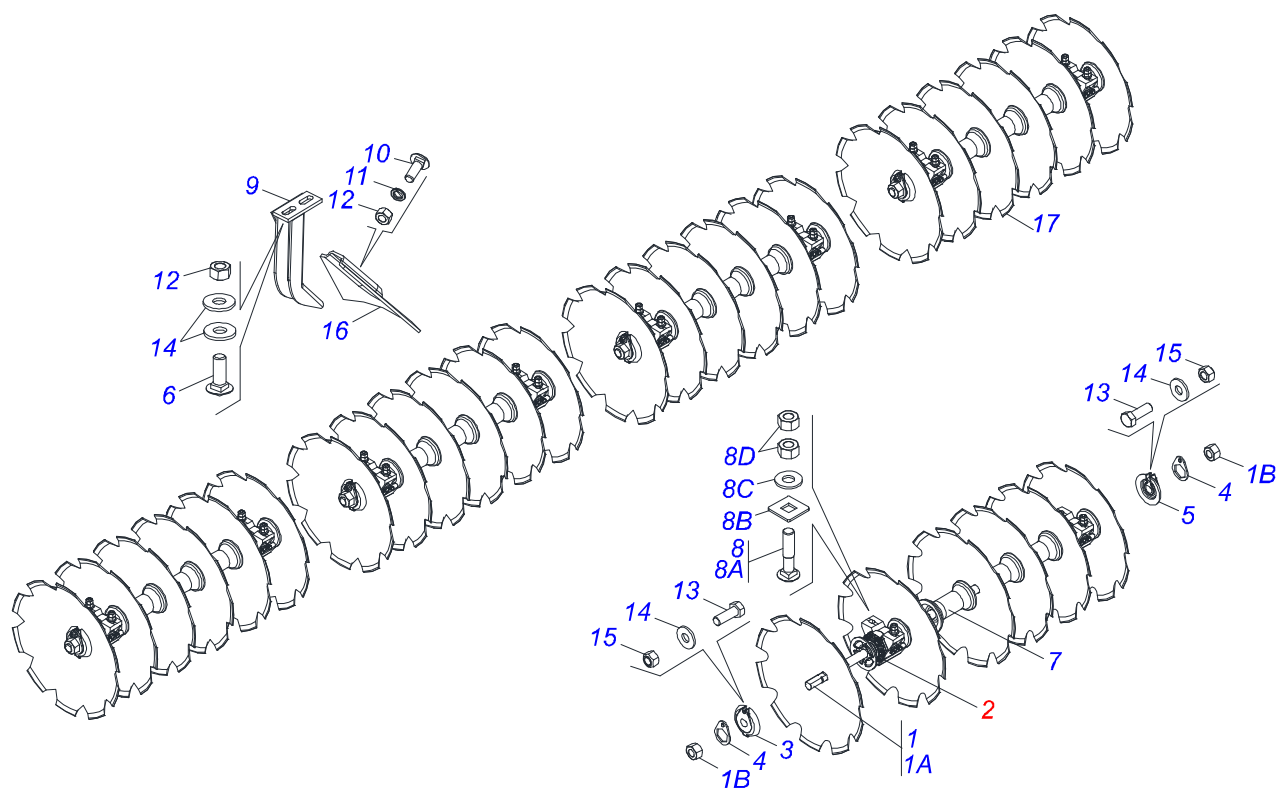
Item	Code	Description	See page	QT
01	0511057381	FLOW DIVIDING VALVE		01
01A	0503016227	FLOW DIVIDING VALVE		01
01B	0503011109	O'RING 2-119 N 3006 9B		03
01C	0521014704	HOSE NIPPLE 3/4 UNF		03
02	0521066121	OIL TUBE		01
03	0501010694	FLAT WASHER 32,50 X 75 X 4,75		02
04	0503011053	5/16" X 3" C S 6.5 ZN BOLT		02
05	0503010337	NUT 5/16 UNC G.5 ZN		02
06	0503037376	3/4" T ADAPTER WITH SWIVEL NUT		01
07	0571019627	SUPPORT VALVE		01



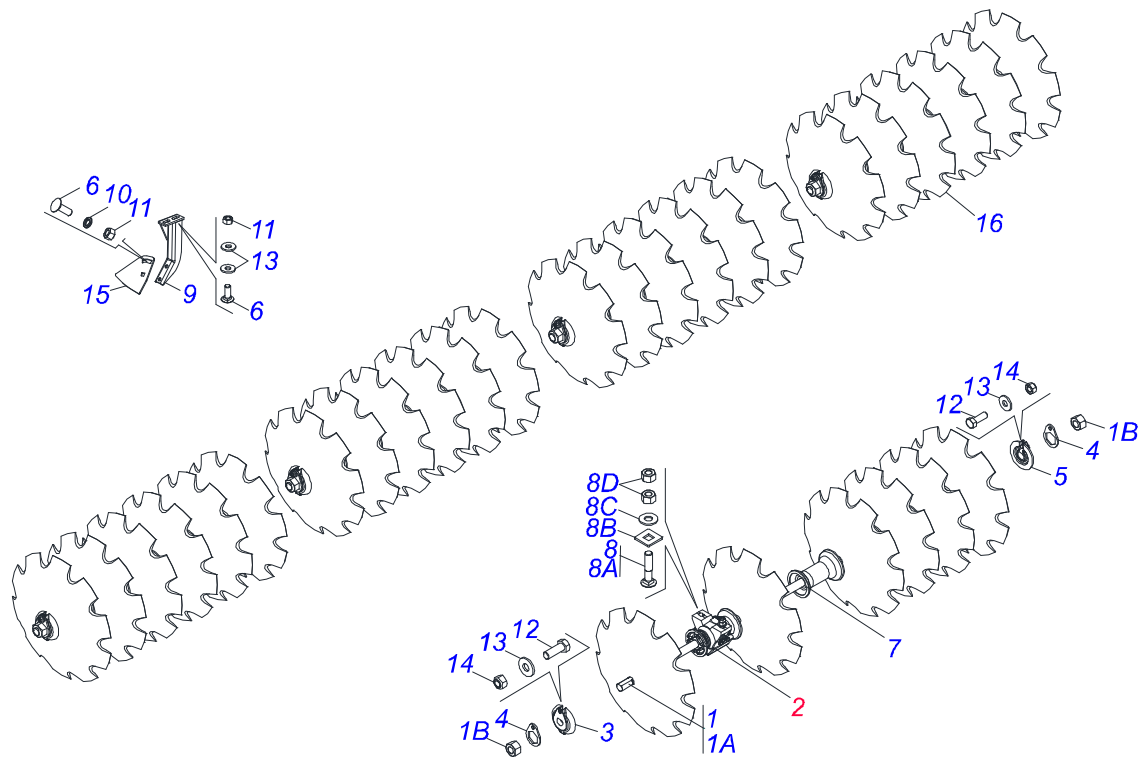
Item	Code	Description	See page	QT
01	0503011627	MALE QUICK COUPLER AGR 1/2 NPT		01
02	0503011882	MALE QUICK COUPLER CAP		01



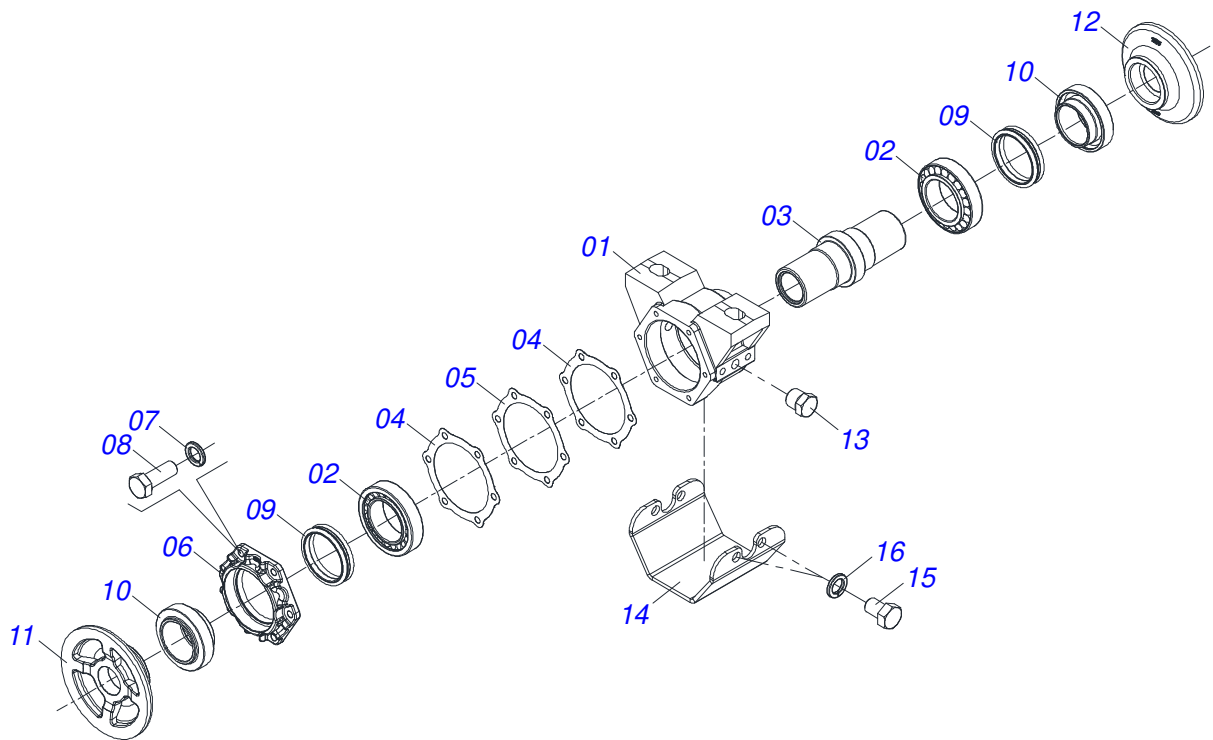
Item	Code	Description	See page	QT
01	0503010919	DISCHARGE VALVE		01
02	0503010190	2-114 N 3006-9B O'RING		04
03	0501011460	7/8 NF REDUCTION NIPPLE		04



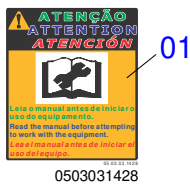
Item	Code	Description	See page	QT
01	0501040361	1.3/4 X 1520 AXLE WITH NUT		01
01A	0501011424	1,3/4" X 1520 AXLE		01
01B	0501810333	1.3/4 NUT		08
02	0511041509	BEARING	20	08
03	0502012221	1-1/2" INNER AXLE WASHER		04
04	0511014339	1-5/8" 2.8" NUT LOCK		08
05	0502012222	1-3/4" EXTERNAL AXLE WASHER		04
06	0503013842	5/8" UNC X 1-3/4" BOLT		48
07	0502010400	263 SPACER		12
08	0501041925	3/4" X 3-1/2" BOLT ASSY		16
08A	0501010950	3/4" X 3-1/2" BOLT		16
08B	0501010949	3/4" SQUARE WASHER		16
08C	0501010322	20,50 X 46 X 4,00 ZN FLAT WASHER		16
08D	0503010014	3/4" ZN G.5 (HEAVY) UNC HEX NUT		32
09	0511065926	FRONT SCRAPER SUPPORT		48
10	0503013842	5/8" UNC X 1-3/4" BOLT		48
11	0503010027	5/8 SPRING WASHER		48
12	0503010013	5/8" UNC G.5 ZN HEX NUT		144
13	0503010232	5/8" X 1.3/4" BOLT		08
14	0501012140	FLAT WASHER 16,50 X 40 X 4,00 ZN		08
15	0503012412	5/8" UNC SELF LOCKING NUT		08
16	0521013678	FRONT CLEANER		24
17	0602037001	DR 28 X 7,5 C102AF04FR1.13/16 10REC TATU		24
17.	0602040041	30 X 7,5 C105AF04FR1.13/16 10R T/CV NOTCHED DISC		24



Item	Code	Description	See page	QT
01	0501040361	1.3/4 X 1520 AXLE WITH NUT		01
01A	0501011424	1,3/4" X 1520 AXLE		01
01B	0501810333	1.3/4 NUT		08
02	0511041509	BEARING	20	08
03	0502012222	1-3/4" EXTERNAL AXLE WASHER		04
04	0511014339	1-5/8" 2.8" NUT LOCK		08
05	0502012221	1-1/2" INNER AXLE WASHER		04
06	0503013842	5/8" UNC X 1-3/4" BOLT		96
07	0502010400	263 SPACER		12
08	0501041925	3/4" X 3-1/2" BOLT ASSY		16
08A	0501010950	3/4" X 3-1/2" BOLT		16
08B	0501010949	3/4" SQUARE WASHER		16
08C	0501010322	20,50 X 46 X 4,00 ZN FLAT WASHER		16
08D	0503010014	3/4" ZN G.5 (HEAVY) UNC HEX NUT		32
09	0511065925	REAR SCRAPER SUPPORT		48
10	0503010027	5/8 SPRING WASHER		48
11	0503010013	5/8" UNC G.5 ZN HEX NUT		144
12	0503010232	5/8" X 1.3/4" BOLT		08
13	0501012140	FLAT WASHER 16,50 X 40 X 4,00 ZN		08
14	0503012412	5/8" UNC SELF LOCKING NUT		08
15	0561014263	CLEANER SHOVEL		24
16	0602037001	DR 28 X 7,5 C102AF04FR1.13/16 10REC TATU		24
16.	0602040041	30 X 7,5 C105AF04FR1.13/16 10R T/CV NOTCHED DISC		24



Item	Code	Description	See page	QT
01	0502020636	8.8" X 1-5/8" OIL HOUSING BEARING		01
02	0503010104	3984/3920 ROLLER BEARING		02
03	0502010824	AXLE CM/DM		01
04	0503030030	5.6" X 4.4" X 0.01" GASKET		02
05	0503030685	5.5" X 4.4" X 0.003" GASKET		01
06	0502020161	WEAR PLATE BEARING		01
07	0503011443	SPRING WASHER 3/8"		06
08	0503010237	3/8" X 1" BOLT		06
09	0503030027	DUO-CONE SEAL		02
10	0502010823	SEAL RETAINER		02
11	0502040141	OUTER FLANGE		01
12	0502040142	INNER FLANGE		01
13	0503010856	OIL PLUG R 3/8 BSPT		02
14	0581013547	PROTECTION COVER BEARING		01
15	0503011401	1/2" X 3/4" BOLT		04
16	0503010019	1/2" SPRING WASHER		04



0503031428



0503034078



0503031739



0503031087



0503031738



0503034799



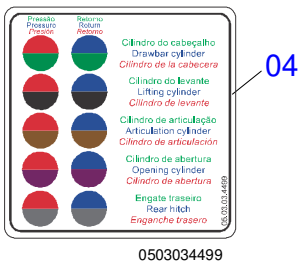
0503031827



0503033038



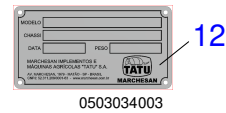
0503033428



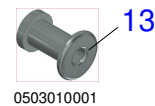
0503034499



0503034438



0503034003



0503010001

Item	Code	Description	See page	QT
01	0503031428	READ MANUAL DECAL		01
02	0503031087	AUTO CONTROL APPROVED DECAL		01
03	0503031827	LUBRICATE AND RETIGHTEN DAILY DECAL		01
04	0503034499	HOSE IDENTIFICATION DECAL		01
05	0503034078	LIFTING POINTS DECAL		04
06	0503031738	WARNING DECAL		05
07	0503033038	DANGER DECAL		01
08	0503034438	ADHESIVE LABEL		01
09	0503031739	DANGER DECAL		01
10	0503034799	ADHESIVE LABEL		02
11	0503033428	ADHESIVE LABEL		02
12	0503034003	61 X 118 SERIAL NUMBER TAG		01
13	0503010001	RIVET 3,2 X 5,5		04



MARCHESAN

Technical Publications | Elaboration and Revision

ALESSANDRA PATRICIA KAWAHARA CARRILI

www.marchesan.com.br

