

**TRANSHIPMENT**

**RACT 10500 - D1,9/2,8/3,0/RAQ/VEH/EXP**

**Code:** 0501092500

**Series:** S-0616

**Revision:** 00

**Date Revision:** MAIO/2019

# **PARTS CATALOGUE**



**MARCHESAN**



# PRODUCTS

Code	Description
0118010003	RACT 10500 C 1,90 RAQ F S/FREIO VEH EXP S-0616
0118010001	RACT 10500 D 2,8/3,0 RAQ VEH EXP S-0616
0118010002	RACT 10500 D 2,8/3,0 RAQ VEH S/FREIO EXP S-0616

## ATTENTION: IMPORTANT

Marchesan S.A. reserves the right to improve and / or modify the technical features of its products, without obligation to do the same with those products already sold and without prior knowledge of the dealer or the consumer.

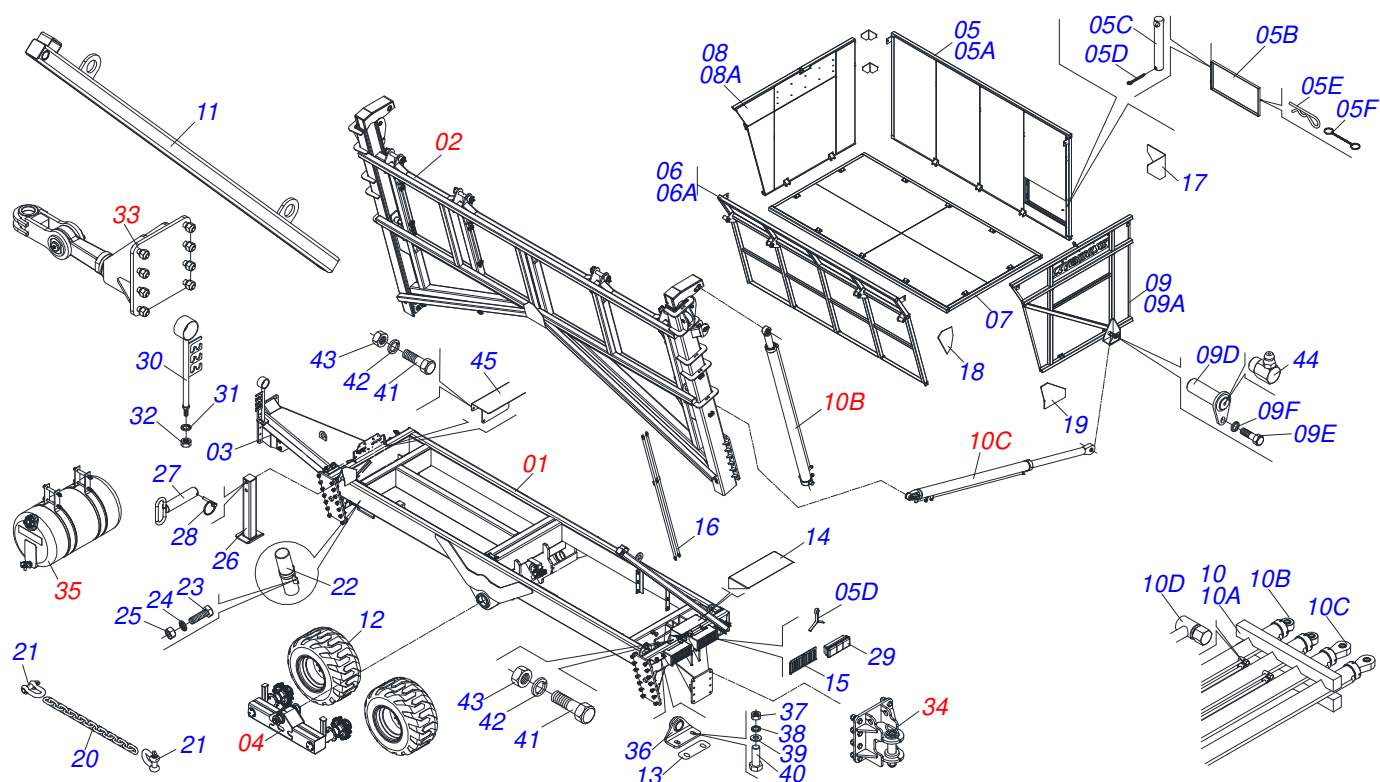


**MARCHESAN**

# INDEX

0909098745	FRAME ASSY 1,90	.....	1
0909091984	FRAME ASSY 2,8/3,0	.....	2
0521049782	FRAME BASE SEMI ASSEMBLE	.....	3
0521046744	FRAME HEADER OFFSET	.....	4
0511047991	LIFT ASSY	.....	5
0521049783	DRAWBAR	.....	6
0521046973	RIGHT AND LEFT BELL CRANK	.....	7
0521050366	LEFT AND RIGHT BALANCE SHEET	.....	8
0511045858	WHEEL HUB ASSY WITH BRAKE	.....	9
0511049091	HITCH FRONT	.....	10
0511048421	HITCH REAR RACKET	.....	11
0521054629	COROTE WATER 25 / 26L	.....	12
0521048248	SEMI MOUNTED CHASSIS BASE	.....	13
0521047090	GUIDE FRAME WITH SEMI MOUNTED LIFTING	.....	14
0511047914	LIFT ASSY	.....	15
0521048247	SYMMETRIC HEADER WITH EMBLEM	.....	16
0521049090	RIGHT REGULATOR ROCKER SEMI MOUNTED WITHOUT BRAKE	.....	17
0521050367	ADJUSTABLE ROCKER 200MM	.....	18
0521044693	SEMI MOUNTED RIGHT REGULATOR ROCKER	.....	19
0521049089	LEFT ROCKER SEMI MOUNTED WITHOUT BRAKE	.....	20
0521044694	LEFT ROCKER ARM	.....	21
0909091964	SYSTEM LUBRICATION	.....	22
0909091976	SISTEMA ELÉCTRICO	.....	23
0511048171	HITCH FRONT RACKET	.....	24
0501057851	POINT HITCH WITH ASSY JOINT	.....	25
0909091971	SYSTEM HYDRAULIC	.....	26
0909098752	SYSTEM HYDRAULIC (VEH)	.....	27

FRAME ASSY 1,90



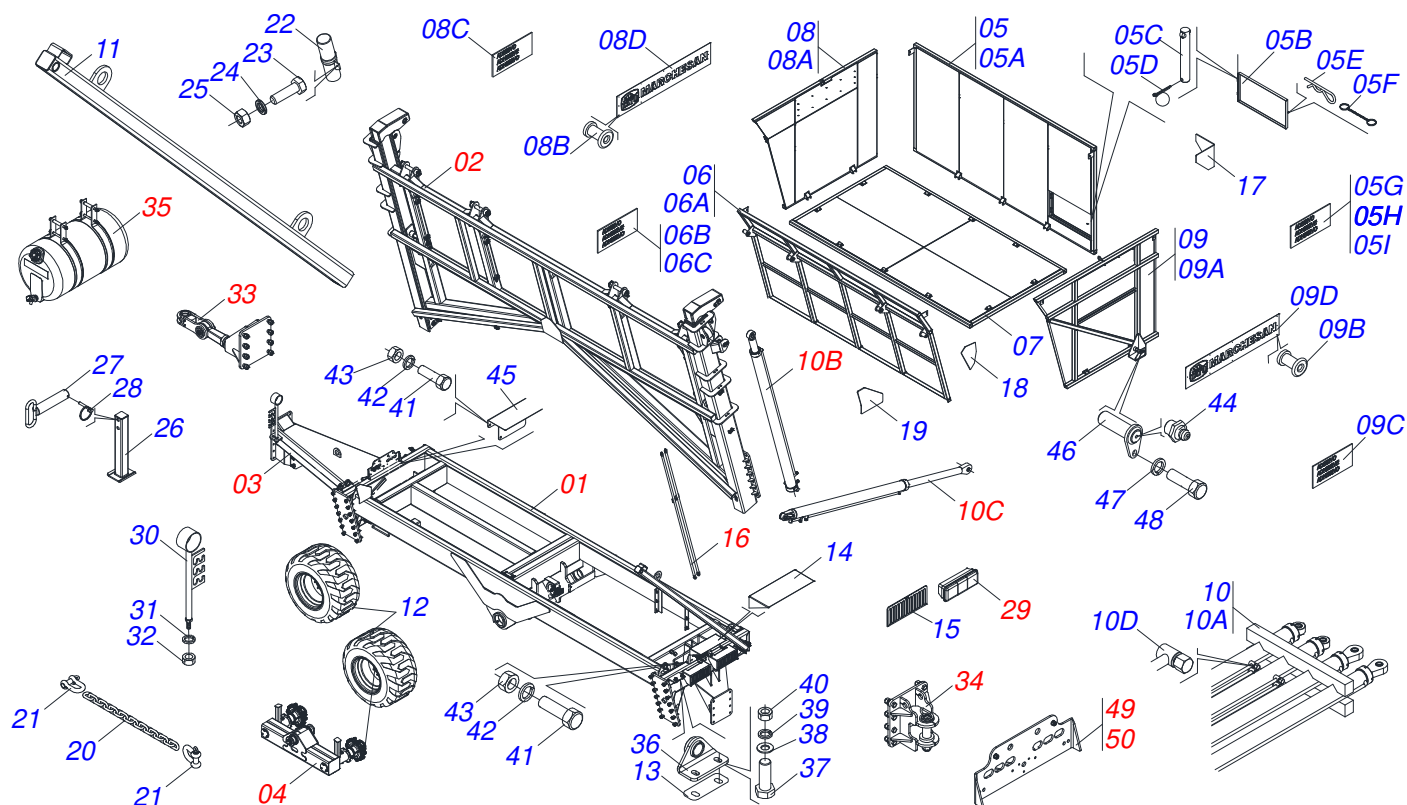
Item	Code	Description	See page	QT
01	0521049782	FRAME BASE SEMI ASSEMBLE	3	01
02	0521046744	FRAME HEADER OFFSET	4	01
03	0521049783	DRAWBAR	6	01
04	0521046973	RIGHT AND LEFT BELL CRANK	7	01
05	0521049784	RIGHT SIDE SKEP ASSY		01
05A	0521067269	SIDE BASKET		01
05B	0511069194	COVER		01
05C	0521010553	0.5" X 3" COUPLING SHAFT		02
05D	0503010257	1/8" X 1" COTTERPIN		02
05E	0503030168	HAIR PIN		01
05F	0503011423	RING		01
05G	0503013229	REFLECTIVE SIDE BAND		04
05H	0503034688	LABEL ADHESIVE		01
05I	0503034689	LABEL ADHESIVE		01
06	0521049785	LIFT ASSY		01
06A	0521067268	SLIDES		01
06B	0503034688	LABEL ADHESIVE		01
06C	0503034689	LABEL ADHESIVE		01
07	0521067270	BACKGROUND SKEP ASSY		01
08	0521049813	FRONT SKEP ASSY		01
08A	0521067266	FRONT SKEP ASSY		01
08B	0581017671	TATU LOGO		01
08C	0503010001	3.2 X 5.5 RIVET		12
09.	0521049817	REAR SKEP ASSY		01
09.A	0521067267	REAR SKEP ASSY		01
09.B	0581017671	TATU LOGO		01
09.C	0503010001	3.2 X 5.5 RIVET		12
09.D	0511067982	PIVOT SHAFT BOX CYLINDER		01
09.E	0503010834	1/2 X 1 BOLT		01
09.F	0503010019	1/2" SPRING WASHER		01
09.G	0503013229	REFLECTIVE SIDE BAND		03



## FRAME ASSY 1,90

0909098745

Item	Code	Description	See page	QT
10.	0521022714	HYDRAULIC CYLINDER ASSY		01
10.A	0501100871	CABLE 960		04
10.B	0521045265	HYDRAULIC CYLINDER		02
10.C	0511047791	CILINDER ROCKER		02
10.D	0551010235	COVER		14
11	0521067273	FRENCH HAND		02
12	0503061865	WHEELS AND TIRE		04
13	0551018157	LIFT CYLINDER BEARING HEEL		04
14	0581014621	REAR PANEL PROTECTION		01
15	0561014113	PROTECTION BOX HEADLIGHT		02
16	0511068779	GREASE TUBE GUIDE		04
17	0561016395	BIGGEST PLATE JUNCTION BASKET		06
18	0561014353	LEFT SUPPORT PLATE		01
19	0561012235	PARTS BASKET		01
20	0503014120	CHAIN		01
21	0503014321	CABLE STEEL SHACKLE		02
22	0503060100	OPERATOR'S MANUAL STORAGE TUBE		01
23	0503010371	5/16" X 1" BOLT		01
24	0503010179	5/16" ZN SPRING WASHER		01
25	0503010337	5/16" NUT		01
26	0521061206	FRAME STRUT		01
27	0521060566	PIN LOCK JACK		02
28	0503030085	LOCK PIN		02
29	0503032811	FLASHLIGHT		02
30	0521061379	HOSE HOLDER		01
31	0503010023	3/4" SPRING WASHER		01
32	0503010014	3/4" NUT		01
33	0511049091	HITCH FRONT	10	01
34	0511048421	HITCH REAR RACKET	11	01
35	0521054629	COROTE WATER 25 / 26L	12	01
36	0511068514	BEARING		02
37	0503010232	5/8" X 1.3/4" BOLT		04
38	0501012140	FLAT WASHER		04
39	0503010027	5/8" SPRING WASHER		04
40	0503010013	5/8" NUT		04
41	0503010256	3/8" X 3/4" BOLT		04
42	0503010025	3/8" SPRING WASHER		06
43	0503010026	3/8" NUT		04
44	0503010002	1800 GREASE FITTING		02
45	0561012738	PROTECTION VALVE		01



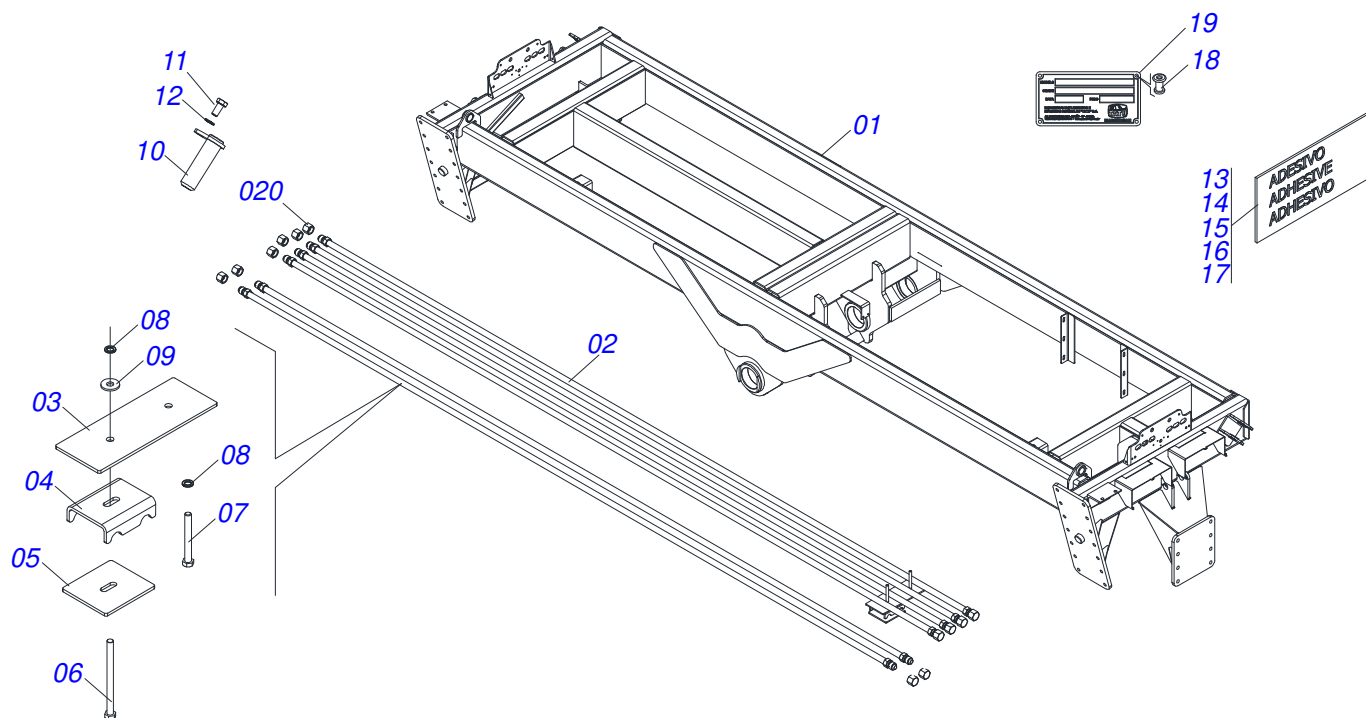
Item	Code	Description	See page	2,8	3,0 BITOLA
01	0521048248	SEMI MOUNTED CHASSIS BASE	13	01	01
02	0521047090	GUIDE FRAME WITH SEMI MOUNTED LIFTING	14	01	01
03	0521048247	SYMMETRIC HEADER WITH EMBLEM	16	01	01
04	0521049090	RIGHT REGULATOR ROCKER SEMI MOUNTED WITHOUT BRAKE	17	01	01
04.	0521044693	SEMI MOUNTED RIGHT REGULATOR ROCKER	19	01	01
04..	0521049089	LEFT ROCKER SEMI MOUNTED WITHOUT BRAKE	20	01	01
04...	0521044694	LEFT ROCKER ARM	21	01	01
05	0521048246	SIDE SEMI MOUNTED BASKET		01	01
05A	0521065237	SIDE BASKET WITH PLATE		01	01
05B	0511067601	COVER DOOR		01	01
05C	0521010553	0.5" X 3" COUPLING SHAFT		02	02
05D	0503010257	1/8" X 1" COTTERPIN		02	02
05E	0503030168	HAIR PIN		01	01
05F	0503011423	RING		01	01
05G	0503013229	REFLECTIVE SIDE BAND		04	04
05H	0503034686	ADHESIVE LABEL TATU LOGO 1740 X 290		01	01
05I	0503034687	ADHESIVE LABEL 1740 X 290		01	01
06	0521048245	SEMI MOUNTED SLIDER		01	01
06A	0521065238	BASKET SLIDE WITH PLATE		01	01
06B	0503034688	LABEL ADHESIVE		01	01
06C	0503034689	LABEL ADHESIVE		01	01
07	0521065236	BASKET BACKGROUND WITH EXPANDED PLATE		01	01
08	0521048216	FRONT SEMI MOUNTED BASKET		01	01
08A	0521065240	FRONT STRUCTURE BASKET WITH PLATE		01	01
08B	0503010001	3.2 X 5.5 RIVET		12	12
08C	0503013229	REFLECTIVE SIDE BAND		02	02
08D	0581017671	TATU LOGO		01	01
09	0521048217	REAR BASKET SEMI ASSEMBLED		01	01
09A	0521065239	REAR STRUCTURE WITH PLATE		01	01
09B	0503010001	3.2 X 5.5 RIVET		12	12
09C	0503013229	REFLECTIVE SIDE BAND		03	03



## FRAME ASSY 2,8/3,0

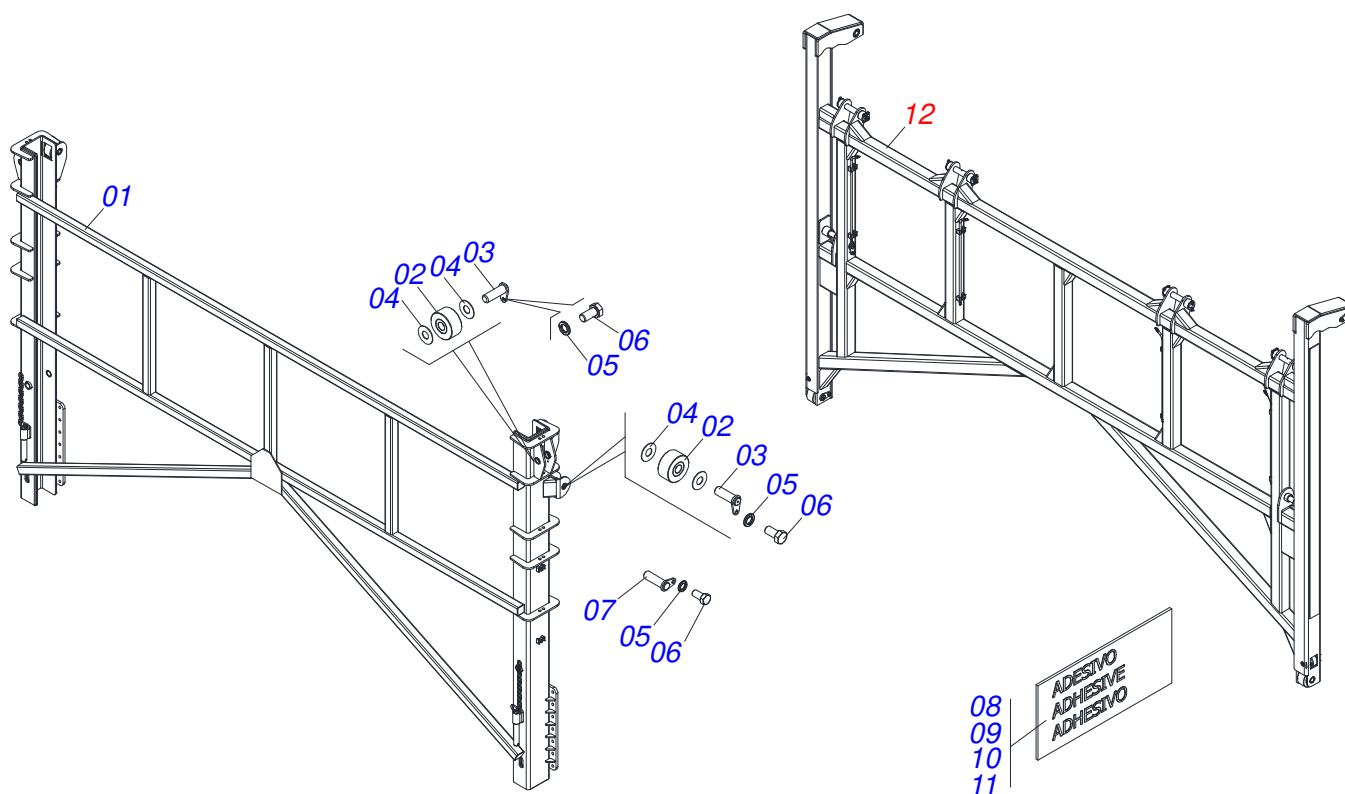
0909091984

Item	Code	Description	See page	2,8	3,0 BITOLA
09D	0581017671	TATU LOGO		01	01
10	0511025361	YELLOWED CYLINDER TAC CONTAINER		01	01
10A	0501100871	CABLE 960		04	04
10B	0531051603	LIFTING CYLINDER 76.2 X 101.6 X 2260 X 2010		02	02
10C	0531051778	TIP CYLINDER 76.2 X 101.6 X 2100 X 1640		02	02
10D	0551010235	COVER		08	08
11	0521067187	FRONT FRENCH HAND		01	01
11.	0521067188	REAR FRENCH HAND		01	01
12	0503061865	WHEELS AND TIRE		04	04
13	0551018157	LIFT CYLINDER BEARING HEEL		04	04
14	0561017662	PROTECTION PANEL REAR		01	01
15	0561014113	PROTECTION BOX HEADLIGHT		02	02
16	0909091964	SYSTEM LUBRICATION	22	01	01
17	0571017197	BIGGEST PLATE JUNCTION		02	02
18	0561014353	LEFT SUPPORT PLATE		02	02
19	0571017184	PARTS BASKET		02	02
20	0503014120	CHAIN		01	01
21	0503014321	CABLE STEEL SHACKLE		02	02
22	0503060100	OPERATOR'S MANUAL STORAGE TUBE		01	01
23	0503010371	5/16" X 1" BOLT		01	01
24	0503010179	5/16" ZN SPRING WASHER		01	01
25	0503010337	5/16" NUT		01	01
26	0521061378	STRUT		01	01
27	0521060566	PIN LOCK JACK		02	02
28	0503030085	LOCK PIN		02	02
29	0909091976	SISTEMA ELÉCTRICO	23	01	01
30	0521061379	HOSE HOLDER		01	01
31	0503010023	3/4" SPRING WASHER		01	01
32	0503010014	3/4" NUT		01	01
33	0511048171	HITCH FRONT RACKET	24	01	01
34	0511048421	HITCH REAR RACKET	11	01	01
35	0521054629	COROTE WATER 25 / 26L	12	01	01
36	0511068514	BEARING		02	02
37	0503010232	5/8" X 1.3/4" BOLT		04	04
38	0501012140	FLAT WASHER		04	04
39	0503010027	5/8" SPRING WASHER		04	04
40	0503010013	5/8" NUT		04	04
41	0503010256	3/8" X 3/4" BOLT		04	04
42	0503010025	3/8" SPRING WASHER		06	06
43	0503010026	3/8" NUT		04	04
44	0503010002	1800 GREASE FITTING		02	02
45	0561012738	PROTECTION VALVE		01	01
46	0511067982	PIVOT SHAFT BOX CYLINDER		02	02
47	0503010019	1/2" SPRING WASHER		02	02
48	0503010834	1/2 X 1 BOLT		02	02
49	0909091971	SYSTEM HYDRAULIC	26	01	01
50	0909098752	SYSTEM HYDRAULIC (VEH)	27	01	01



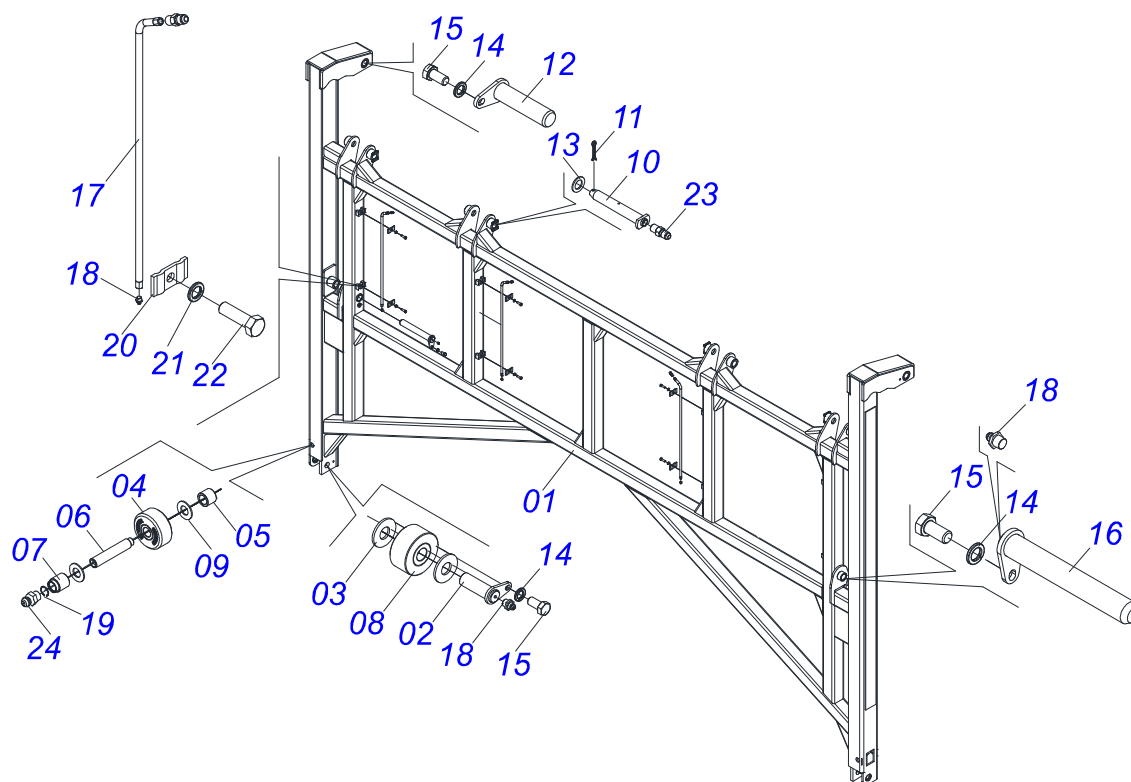
Item	Code	Description	See page	QT
01	0521067265	FRAME BASE		01
02	0511068699	TUBE COMMUNICATION		06
03	0551015937	FIXER PLATE PIPING		02
04	0561013211	FIXER LOWER TUBING		02
05	0561013212	PLATE LOWER FIXER		02
06	0503011124	3/8" X 5" BOLT		02
07	0503013665	SCREW 3/8 UNC X 3.1/4 C S RP G.2 ZN		02
08	0503010025	3/8" SPRING WASHER		04
09	0501010984	FLAT WASHER		02
10	0521065778	AXLE		02
11	0503010834	1/2 X 1 BOLT		02
12	0503010019	1/2" SPRING WASHER		02
13	0503032818	ATTENTION BADGE		02
14	0503031087	ADHESIVE LABEL		01
15	0503031739	ADHESIVE LABEL		02
16	0503032526	STATIONARY BRAKE VALVE EMBLEM		01
17	0503031827	LUBRICATE AND RETIGHTEN DAILY DECAL		02
18	0503010001	3.2 X 5.5 RIVET		04
19	0503034003	SERIAL NUMBER TAG 61 X 118		01
20	0551010235	COVER		12



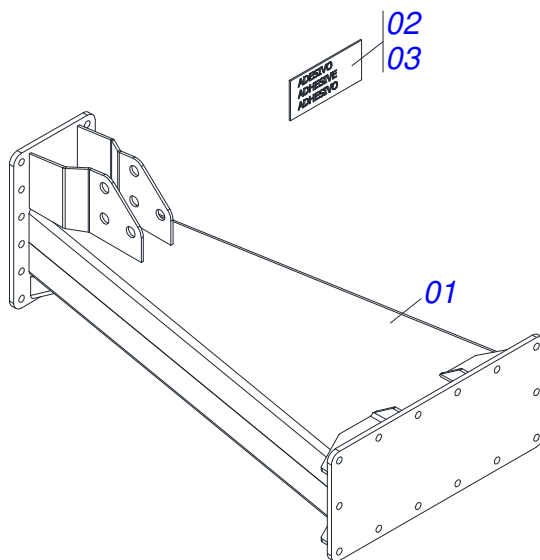


Item	Code	Description	See page	QT
01	0521067272	CENTER FRAME		01
02	0501110526	LOWER PULLEY		04
03	0511067985	PIN UPPER PULLEY		04
04	0551014871	FLAT WASHER		08
05	0503010019	1/2" SPRING WASHER		06
06	0503010834	1/2 X 1 BOLT		06
07	0521065778	AXLE		02
08	0503031942	ADHESIVE LABEL		01
09	0503031428	READ MANUAL DECAL		01
10	0503032817	EMBLEM DANGER SAFETY		02
11	0503013229	REFLECTIVE SIDE BAND		04
12	0511047991	LIFT ASSY	5	01

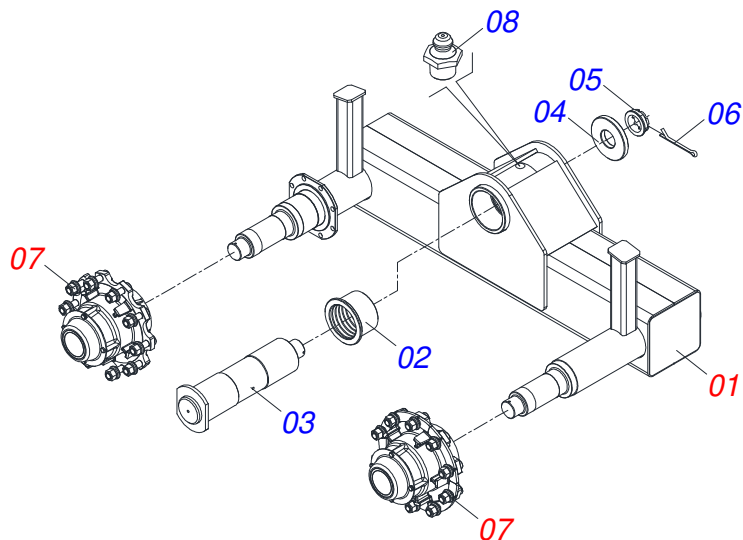
LIFT ASSY



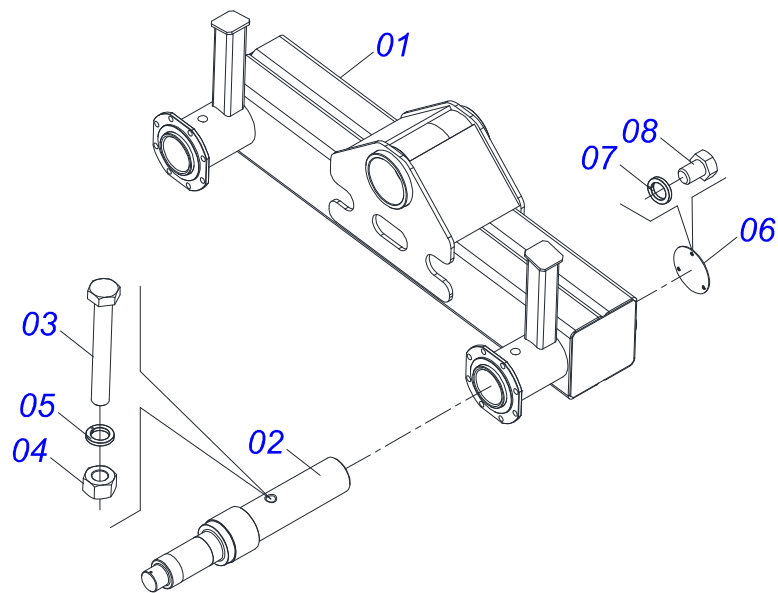
Item	Code	Description	See page	QT
01	0511069074	LIFT	01	
02	0511068766	PIN POULIE 38,1 X 110	02	
03	0551015940	FLAT WASHER	04	
04	0501110540	PULLEY SIDE ELEVATION	02	
05	0551014873	SLEEVE	02	
06	0551014860	PIN LOWER SIDE LIFT	02	
07	0551014874	SLEEVE	02	
08	0501110526	LOWER PULLEY	02	
09	0551014872	FLAT WASHER	04	
10	0511068336	PIVOT SHAFT SKEP	04	
11	0503010534	3/8 X 2-1/2 COTTERPIN	04	
12	0511068767	PIN FIXER	02	
13	0501012916	FLAT WASHER 38,50 X 66 X 4,75 ZN	04	
14	0503010019	1/2" SPRING WASHER	06	
15	0503010834	1/2 X 1 BOLT	06	
16	0511067983	PIVOT SHAFT	02	
17	0511068768	GREASE TUBE LIFT	04	
18	0503010002	1800 GREASE FITTING	08	
19	0503014307	SEAL RING	02	
20	0531011180	UPPER BODY CLIP	08	
21	0503010025	3/8" SPRING WASHER	08	
22	0503010751	C3/8" X 1.1/4" HEX BOLT G.5	08	
23	0503012776	1/8" NF NIPPLE	08	
24	0503010691	1/4" GREASE FITTING	02	



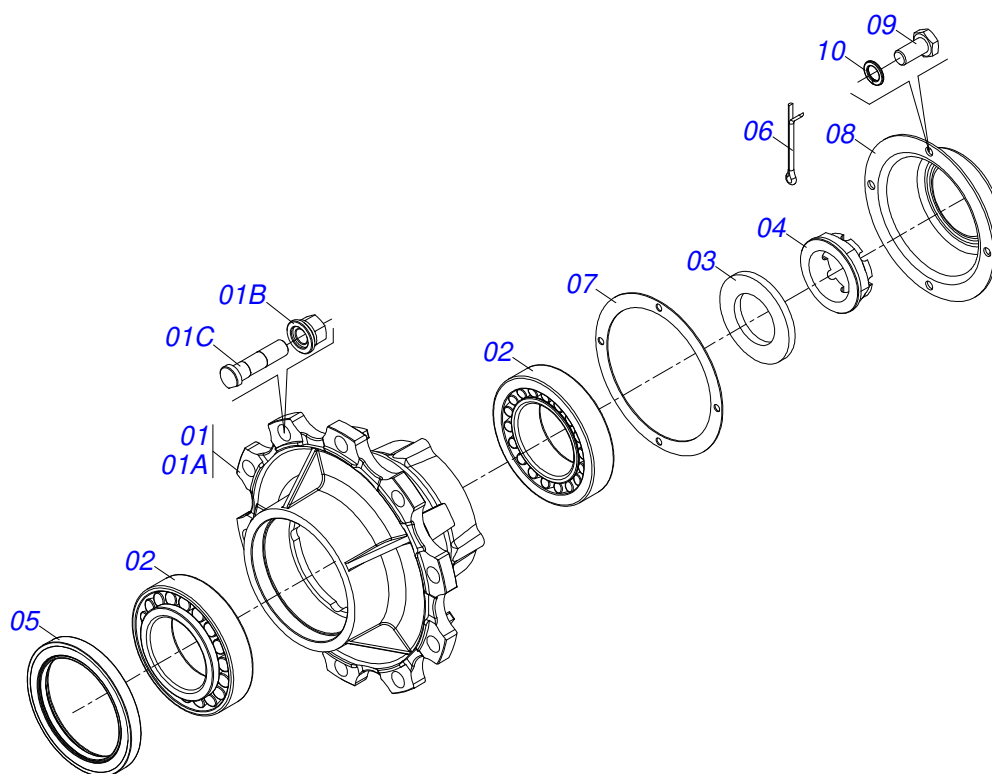
Item	Code	Description	See page	QT
01	0521062400	CENTRAL FLANGE HEADER		01
02	0503034684	ADHESIVE LABEL		01
03	0503034685	PEGATINA LOGO TATU		01



Item	Code	Description	See page	QT
01	0521050366	LEFT AND RIGHT BALANCE SHEET	8	01
02	0531016429	BUSHING		02
03	0521062517	PIVOT SHAFT		01
04	0551012036	FLAT WASHER		01
05	0581013528	FLANGED NUT		01
06	0503012213	1/4" COTTERPIN		01
07	0511045858	WHEEL HUB ASSY WITH BRAKE	9	02
08	0503010002	1800 GREASE FITTING		01

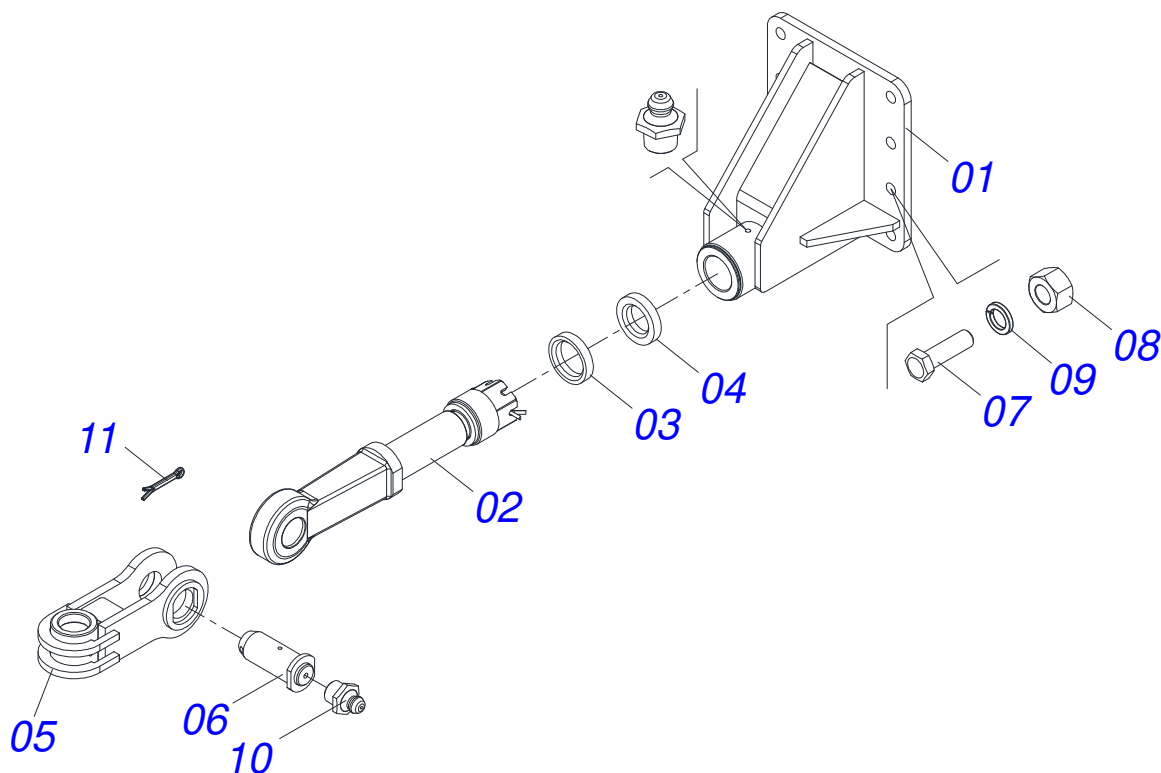


Item	Code	Description	See page	QT
01	0521067334	LEFT/RIGHT BALANCE BODY		01
02	0581013527	CARRYING WHEELS AXLE		02
03	0501010219	1" X 7-1/2" BOLT		02
04	0501010059	1.5/8 NUT		02
05	0503010012	1" SPRING WASHER		02
06	0551010696	CARRYING WHEELS AXLE COVER		02
07	0503010025	3/8" SPRING WASHER		06
08	0503010206	3/8" X 1/2" BOLT		06



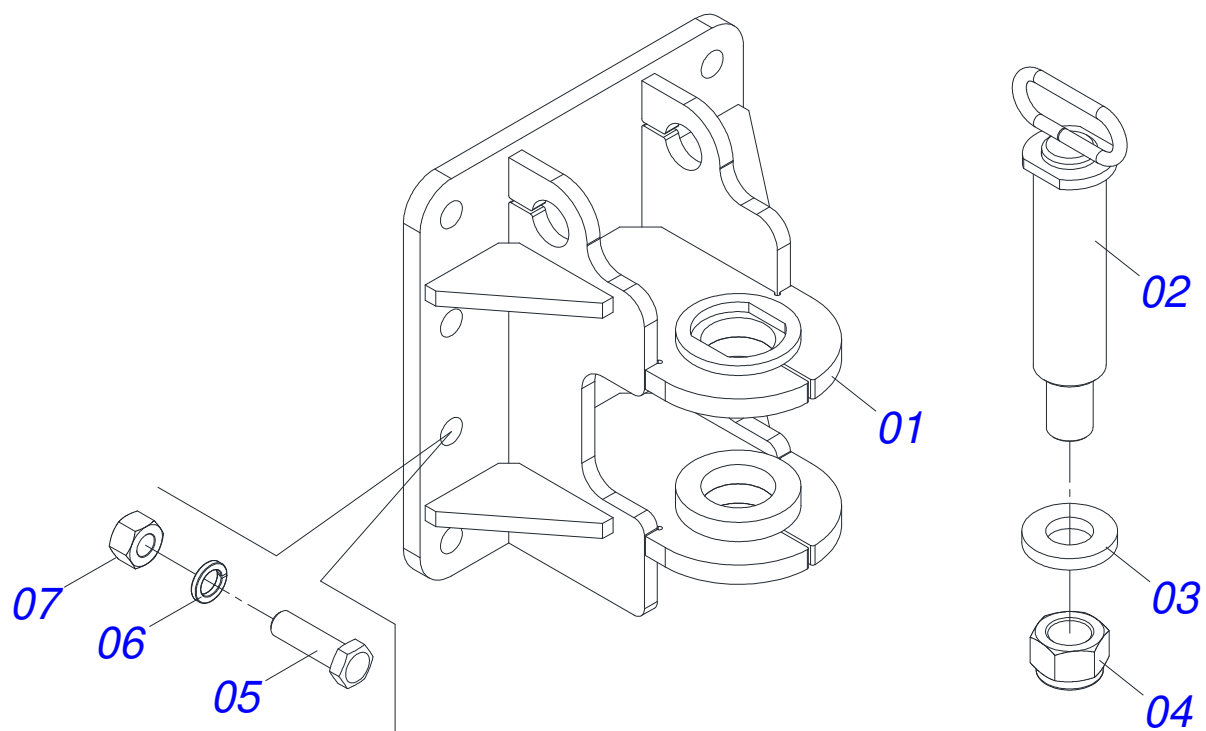
Item	Code	Description	See page	QT
01	0501110771	CARRYING WHEEL HUB		01
01A	0502012462	WHEEL HUB		01
01B	0503014048	22 X 1.5 HEX NUT		10
01C	0503014049	M22 X 1,5 X 89/97" BOLT		10
02	0503010118	32218 BEARING		02
03	0531019986	64 X 110 X 9.5 FLAT WASHER		01
04	0502040080	FLANGE NUT R.2.1/2 UN		01
05	0503013541	RETAINER		01
06	0503012213	1/4" COTTERPIN		01
07	0503013548	JOINT CORK		01
08	0503013549	HUB COVER		01
09	0503013546	BOLT SX MA5,8 M10X1,5X20ZA DI		04
10	0503013542	M10 SPRING WASHER		04

HITCH FRONT



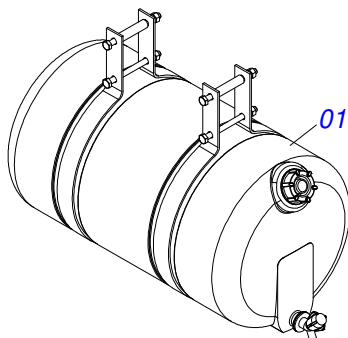
Item	Code	Description	See page	QT
01	0521061202	HITCH FRONT RACKET		01
02	0503061649	PONTEIRA HITCH SILPA		01
03	0551014852	FLAT WASHER		01
04	0551014853	FLAT WASHER		01
05	0511069237	HITCH INTERMEDIARY		01
06	0511069236	PIN ARTICULATION		01
07	0501010125	3/4" X 2-1/2" BOLT		08
08	0503010014	3/4" NUT		08
09	0503010023	3/4" SPRING WASHER		08
10	0503010002	1800 GREASE FITTING		02
11	0503010534	3/8 X 2-1/2 COTTERPIN		01

HITCH REAR RACKET

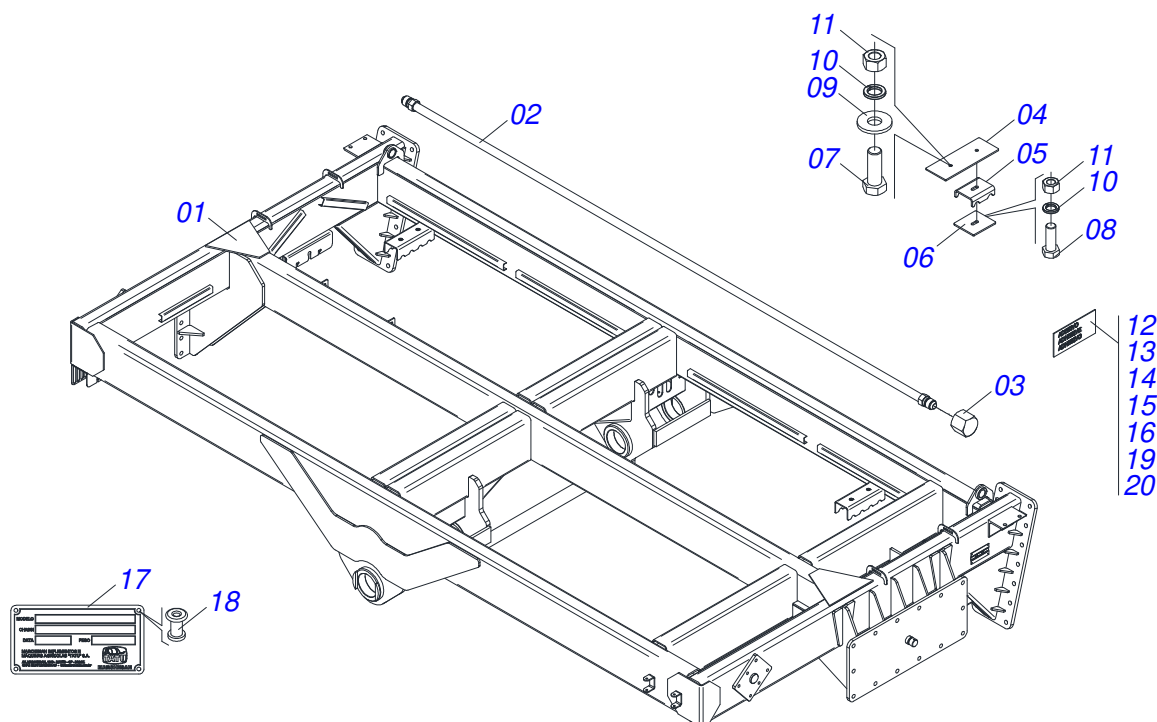


Item	Code	Description	See page	QT
01	0521061456	HITCH REAR RACKET		01
02	0511064850	HITCH PIN		01
03	0521013076	FLAT WASHER		01
04	0503010817	1.1/4" SELF LOCKING NUT		01
05	0501010125	3/4" X 2-1/2" BOLT		08
06	0503010023	3/4" SPRING WASHER		08
07	0503010014	3/4" NUT		08

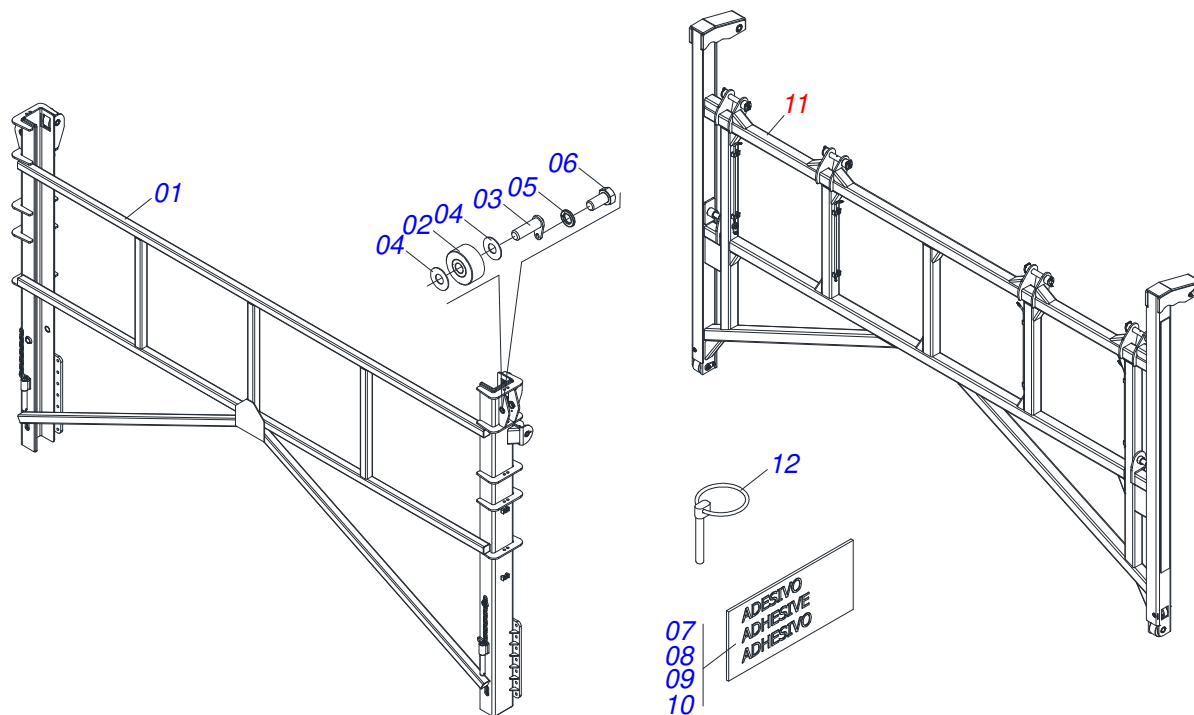




Item	Code	Description	See page	QT
01	0503014820	COROTE BLACK WATER		01
02	0503032532	EMBLEM WATER NOT POTAVEL		01

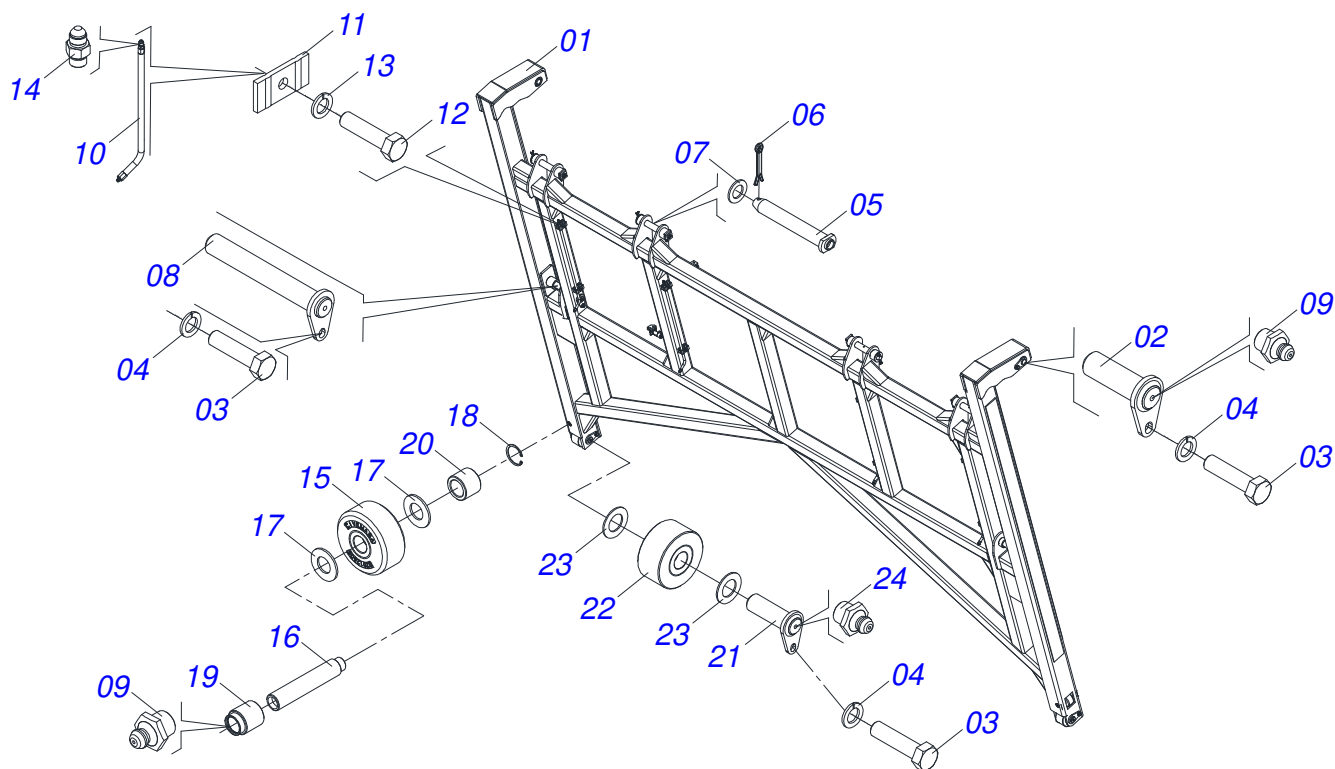


Item	Code	Description	See page	QT
01	0521067632	CHASSIS BASE 2.8/3.0	01	
02	0511069769	TUBE TAC 10500	06	
03	0551010235	COVER	12	
04	0551015937	FIXER PLATE PIPING	02	
05	0561013211	FIXER LOWER TUBING	02	
06	0561013212	PLATE LOWER FIXER	02	
07	0503011123	BOLT	02	
08	0503011268	3/8" X 2-1/2" BOLT	02	
09	0501010984	FLAT WASHER	02	
10	0503010025	3/8" SPRING WASHER	04	
11	0503010026	3/8" NUT	04	
12	0503032818	ATTENTION BADGE	02	
13	0503031087	ADHESIVE LABEL	01	
14	0503032526	STATIONARY BRAKE VALVE EMBLEM	01	
15	0503031827	LUBRICATE AND RETIGHTEN DAILY DECAL	02	
16	0503034684	ADHESIVE LABEL	01	
17	0503034003	SERIAL NUMBER TAG 61 X 118	01	
18	0503010001	3.2 X 5.5 RIVET	04	
19	0503031739	ADHESIVE LABEL	02	
20	0503035495	COLOR HANDLE ADHESIVE LABEL	01	

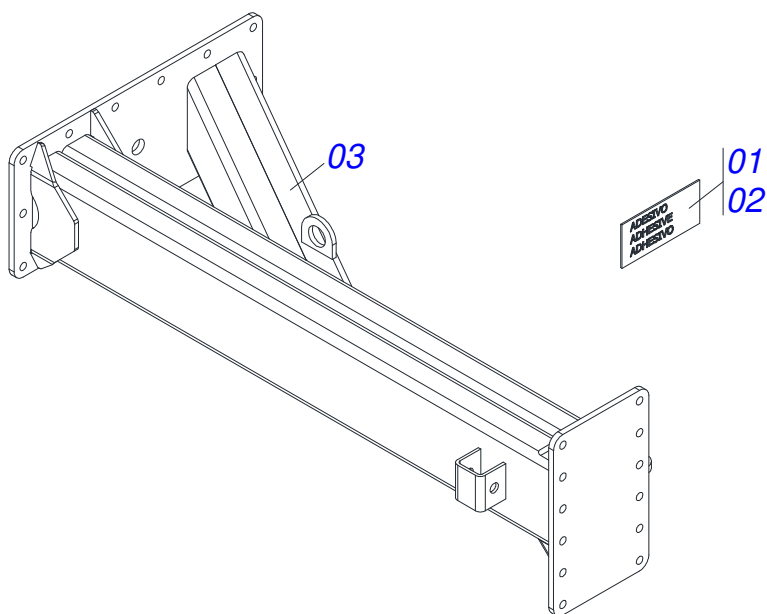


Item	Code	Description	See page	QT
01	0521067189	GUIDE FRAME (176X4360) FLANGED		01
02	0501110526	LOWER PULLEY		04
03	0511067985	PIN UPPER PULLEY		04
04	0551014871	FLAT WASHER		08
05	0503010019	1/2" SPRING WASHER		04
06	0503010834	1/2 X 1 BOLT		04
07	0503031942	ADHESIVE LABEL		01
08	0503031428	READ MANUAL DECAL		01
09	0503032817	EMBLEM DANGER SAFETY		02
10	0503013229	REFLECTIVE SIDE BAND		04
11	0511047914	LIFT ASSY	15	01
12	0503030430	7/16 X 2" PIN LOCK		02

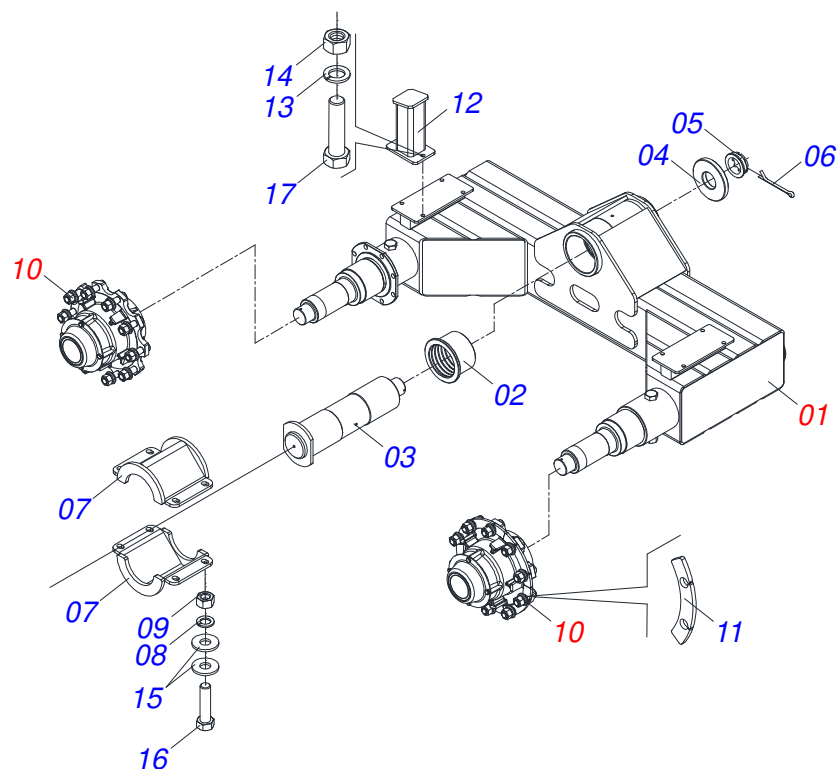
LIFT ASSY



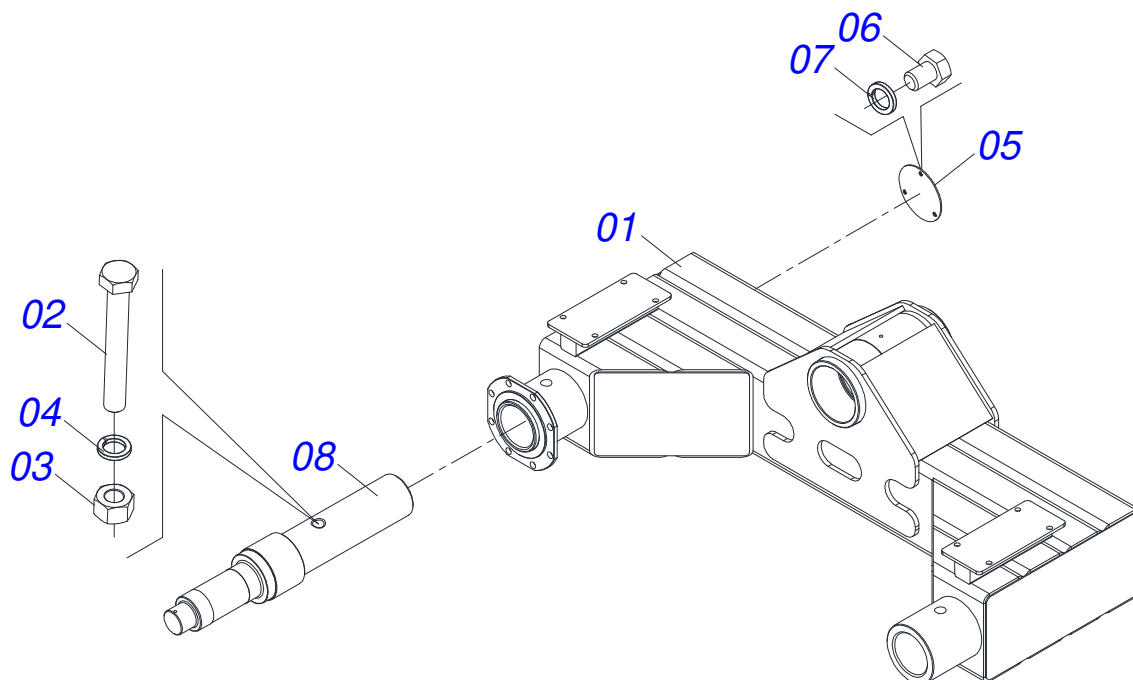
Item	Code	Description	See page	QT
01	0511068752	FRAME LIFT TCA 10500 CHE		01
02	0511068767	PIN FIXER		02
03	0503010834	1/2 X 1 BOLT		06
04	0503010019	1/2" SPRING WASHER		06
05	0511068336	PIVOT SHAFT SKEP		04
06	0503010534	3/8 X 2-1/2 COTTERPIN		04
07	0501012916	FLAT WASHER 38,50 X 66 X 4,75 ZN		04
08	0511067983	PIVOT SHAFT		02
09	0503010002	1800 GREASE FITTING		08
10	0511068768	GREASE TUBE LIFT		04
11	0531011180	UPPER BODY CLIP		08
12	0503010751	C3/8" X 1.1/4" HEX BOLT G.5		08
13	0503010025	3/8" SPRING WASHER		08
14	0503012776	1/8" NF NIPPLE		09
15	0501110540	PULLEY SIDE ELEVATION		02
16	0551014860	PIN LOWER SIDE LIFT		02
17	0551014872	FLAT WASHER		04
18	0503014307	SEAL RING		02
19	0551014874	SLEEVE		02
20	0551014873	SLEEVE		02
21	0511068766	PIN POULIE 38,1 X 110		02
22	0501110526	LOWER PULLEY		02
23	0551015940	FLAT WASHER		04
24	0503010691	1/4" GREASE FITTING		02



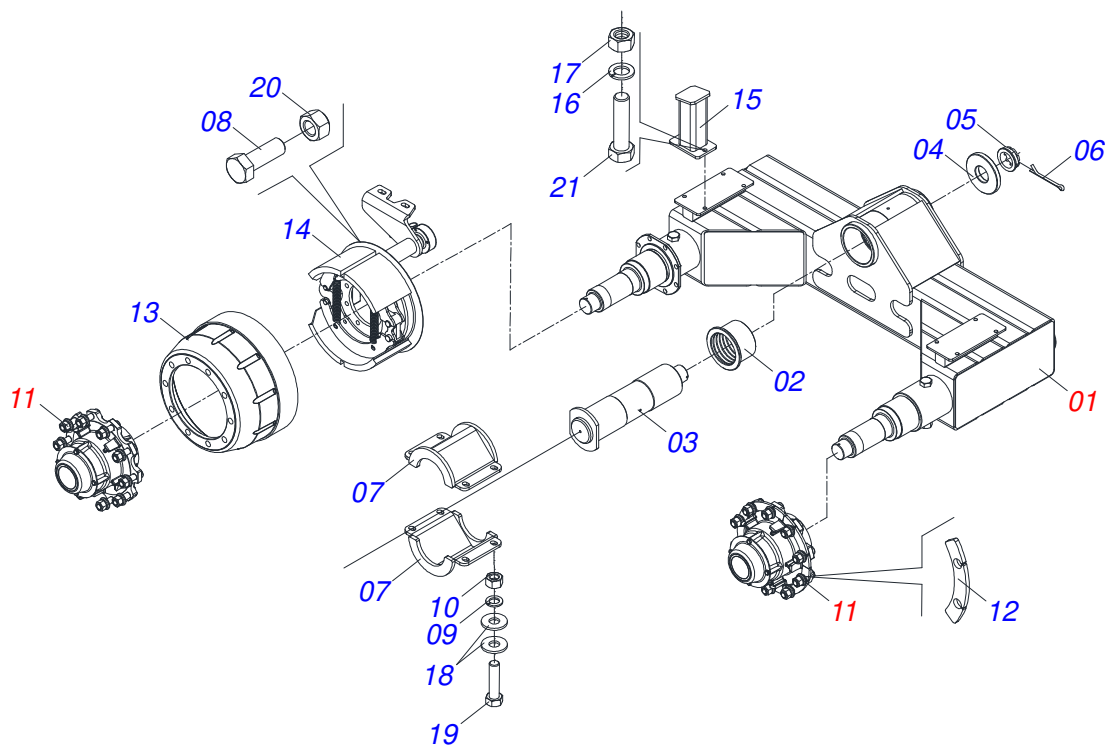
Item	Code	Description	See page	QT
01	0503034684	ADHESIVE LABEL		01
02	0503034685	PEGATINA LOGO TATU		01
03	0521061349	HEADER		01



Item	Code	Description	See page	QT
01	0521050367	ADJUSTABLE ROCKER 200MM	18	01
02	0531016429	BUSHING		02
03	0521062616	PIVOT SHAFT		01
04	0551012036	FLAT WASHER		01
05	0581013528	FLANGED NUT		01
06	0503012213	1/4" COTTERPIN		01
07	0521061870	SPACER BELL CRANK		02
08	0503010027	5/8" SPRING WASHER		04
09	0503010013	5/8" NUT		04
10	0511045858	WHEEL HUB ASSY WITH BRAKE	9	02
11	0561015521	FLANGE		10
12	0511069601	BEATER BELL CRANK		02
13	0503010019	1/2" SPRING WASHER		04
14	0503010060	1/2" NUT		04
15	0501012140	FLAT WASHER		08
16	0503010232	5/8" X 1.3/4" BOLT		04
17	0503010395	1/2" X 1-1/4" BOLT		04

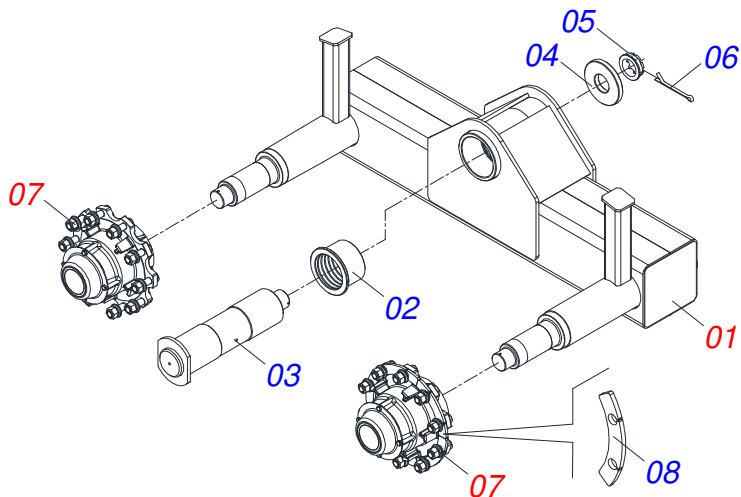


Item	Code	Description	See page	QT
01	0521067525	ADJUSTABLE ROCKER BODY		01
02	0501010219	1" X 7-1/2" BOLT		02
03	0501010059	1.5/8 NUT		02
04	0503010012	1" SPRING WASHER		02
05	0551010696	CARRYING WHEELS AXLE COVER		02
06	0503010206	3/8" X 1/2" BOLT		06
07	0503010025	3/8" SPRING WASHER		06
08	0581013527	CARRYING WHEELS AXLE		02



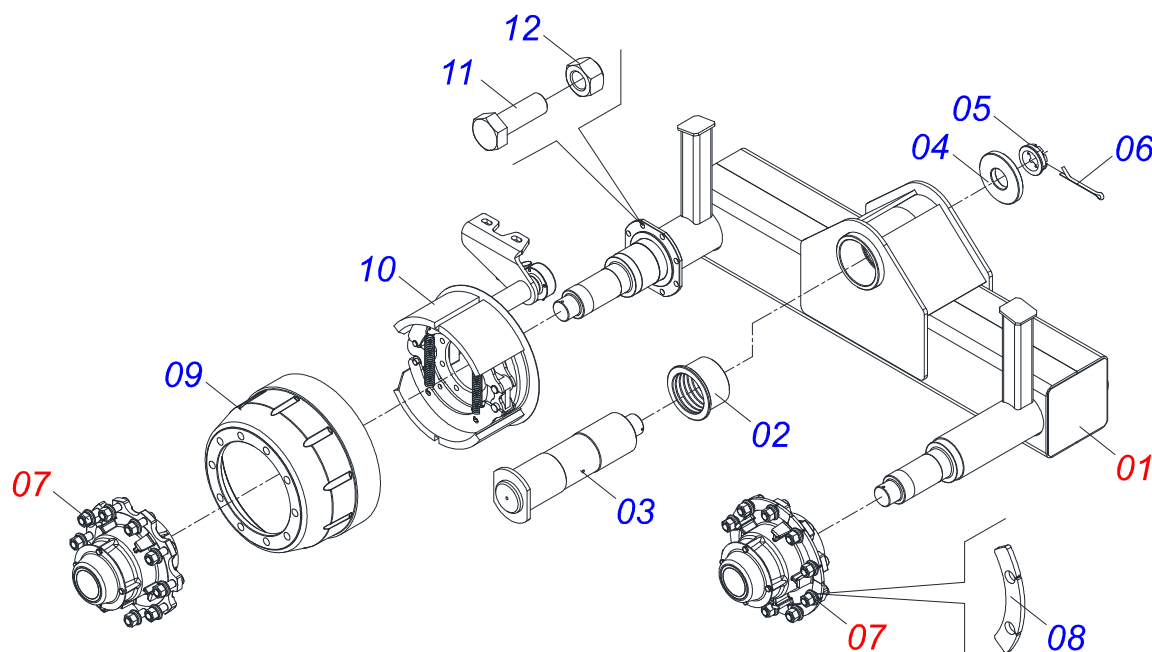
Item	Code	Description	See page	QT
01	0521050367	ADJUSTABLE ROCKER 200MM	18	01
02	0531016429	BUSHING		02
03	0521062616	PIVOT SHAFT		01
04	0551012036	FLAT WASHER		01
05	0581013528	FLANGED NUT		01
06	0503012213	1/4" COTTERPIN		01
07	0521061870	SPACER BELL CRANK		02
08	0501010100	SCREW 5/8 UNC X 2 CS G.5 ZN		08
09	0503010027	5/8" SPRING WASHER		04
10	0503010013	5/8" NUT		04
11	0511045858	WHEEL HUB ASSY WITH BRAKE	9	02
12	0561015521	FLANGE		10
13	0502020688	BRAKE DRUM		01
14	0503014052	BRAKE		01
15	0511069601	BEATER BELL CRANK		02
16	0503010019	1/2" SPRING WASHER		04
17	0503010060	1/2" NUT		04
18	0501012140	FLAT WASHER		08
19	0503010232	5/8" X 1.3/4" BOLT		04
20	0503012412	5/8 UNC SELF LOCKING NUT		08
21	0503010395	1/2" X 1-1/4" BOLT		04



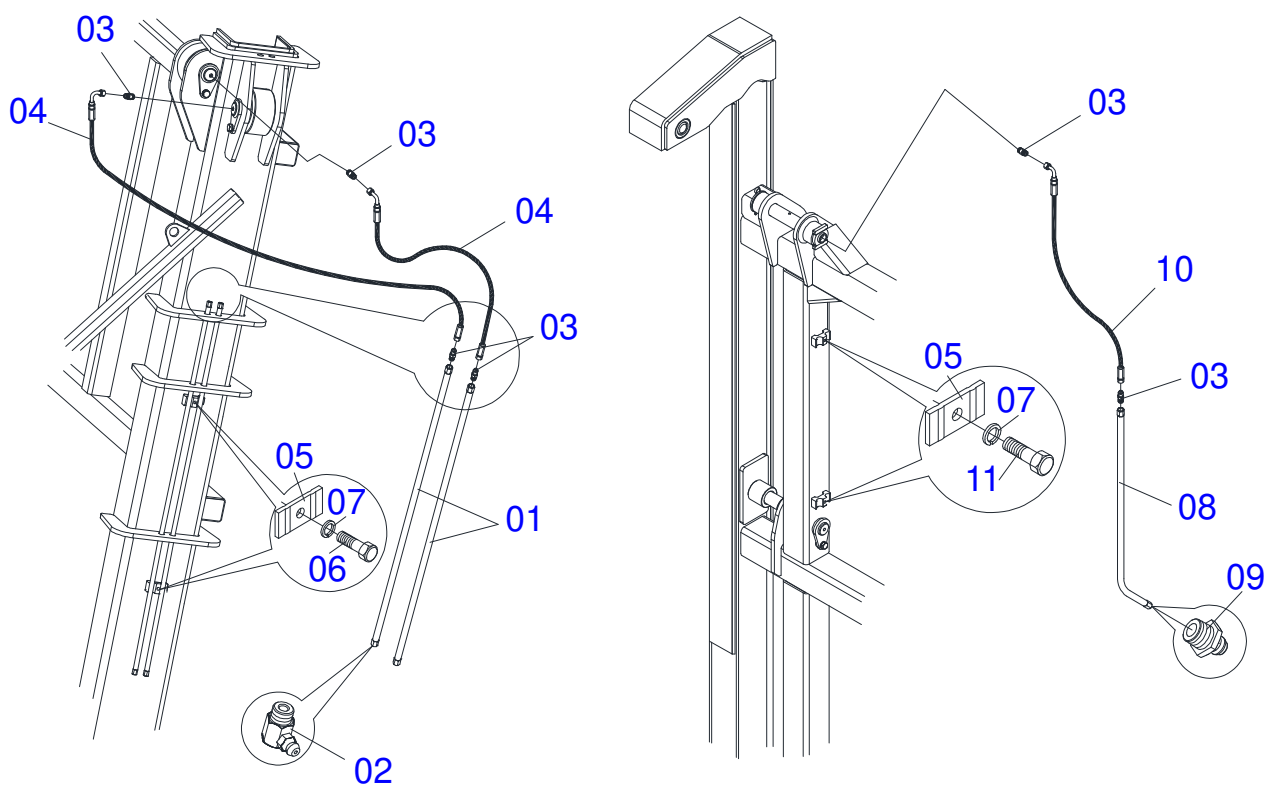


Item	Code	Description	See page	QT
001	0521050366	LEFT AND RIGHT BALANCE SHEET	8	01
002	0531016429	BUSHING		02
003	0521062517	PIVOT SHAFT		01
004	0551012036	FLAT WASHER		01
005	0581013528	FLANGED NUT		01
006	0503012213	1/4" COTTERPIN		01
007	0511045858	WHEEL HUB ASSY WITH BRAKE	9	02
008	0561015521	FLANGE		10

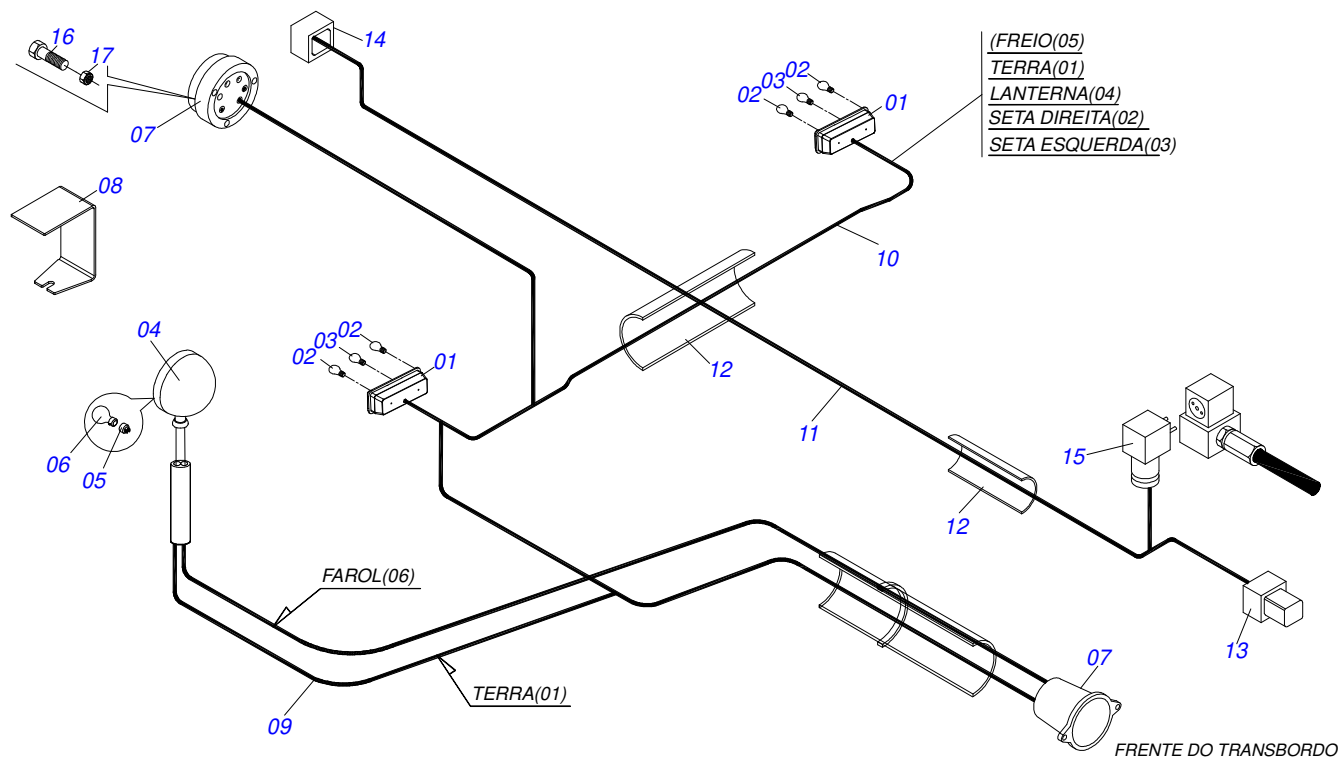
LEFT ROCKER ARM



Item	Code	Description	See page	QT
01	0521050366	LEFT AND RIGHT BALANCE SHEET	8	01
02	0531016429	BUSHING		02
03	0521062517	PIVOT SHAFT		01
04	0551012036	FLAT WASHER		01
05	0581013528	FLANGED NUT		01
06	0503012213	1/4" COTTERPIN		01
07	0511045858	WHEEL HUB ASSY WITH BRAKE	9	02
08	0561015521	FLANGE		10
09	0502020688	BRAKE DRUM		01
10	0503014053	BREAK		01
11	0501010100	SCREW 5/8 UNC X 2 CS G.5 ZN		08
12	0503012412	5/8 UNC SELF LOCKING NUT		08

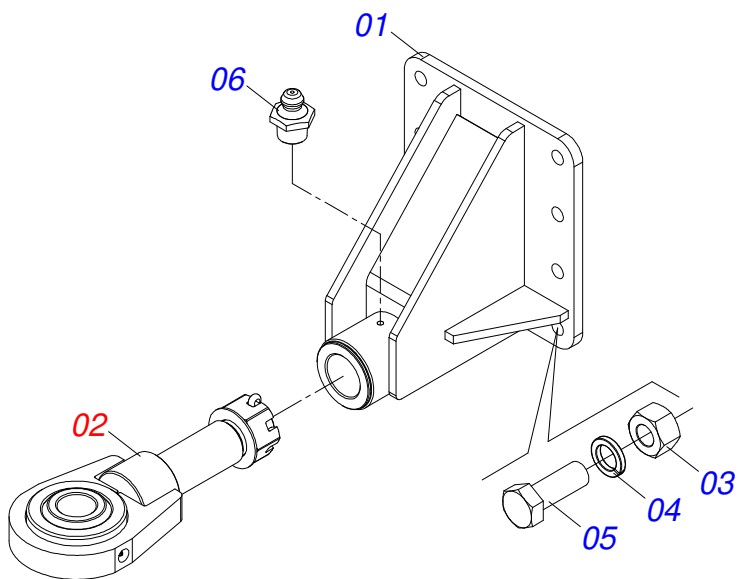


Item	Code	Description	See page	QT
01	0511068779	GREASE TUBE GUIDE		04
02	0503010004	1890 GREASE FITTING		04
03	0503012776	1/8" NF NIPPLE		16
04	0501081157	HOSE 1/4 X 600 TR-TC		04
05	0531011180	UPPER BODY CLIP		12
06	0503010237	3/8" X 1" BOLT		04
07	0503010025	3/8" SPRING WASHER		12
08	0511069598	GREASE TUBE		04
09	0503010002	1800 GREASE FITTING		04
10	0501081289	1/4 X 400 TR-TC HOSE		04
11	0503010751	C3/8" X 1.1/4" HEX BOLT G.5		08

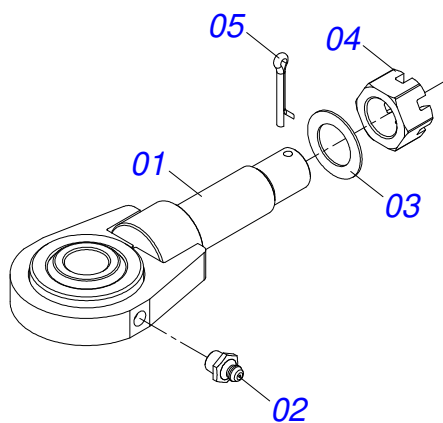


Item	Code	Description	See page	QT
01	0503032811	FLASHLIGHT		02
02	0503032812	1141 12V LAMP		04
03	0503032813	67 12V 5W LAMP		02
04	0503032434	LIGHTHOUSE FROTLUZ		01
05	0503032476	SOCKET LAMP		01
06	0503032475	LAMP		01
07	0503013151	ELECTRIC CONNECTION		01
08	0561018037	LIGHTHOUSE PROTECTION		01
09	0503013224	CABLE PP		12
10	0503015497	CABLE PP		03
11	0503014046	CABLE PP		11
12	3505151602	TUBE		00
13	0503013789	CONNECTOR 4V/1,5MM		01
14	0503013790	FEMALE CONNECTOR 4V/1,5MM		01
15	0503013566	PARKER PLUG		01
16	0503013165	SCREW DRIVER 3/16 X 1.1 / 4		03
17	0503010667	3/16" NUT		03

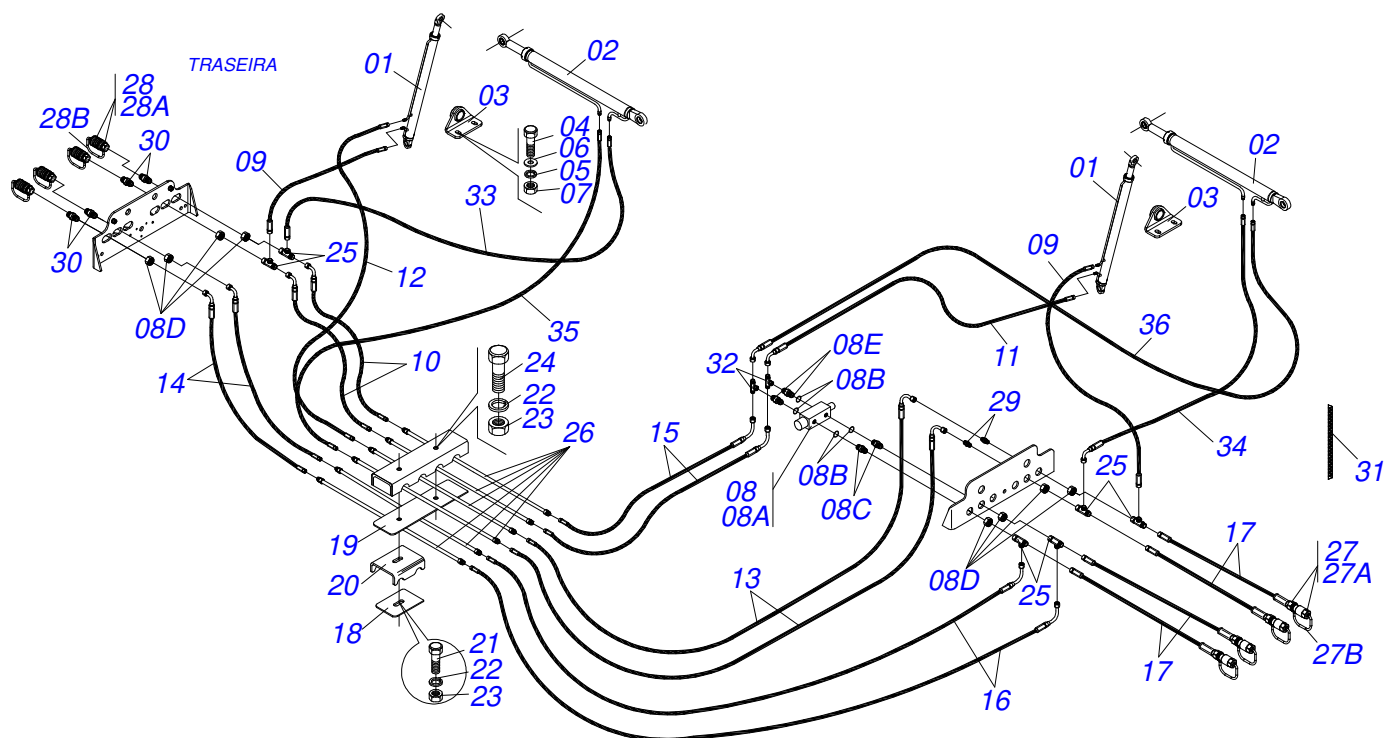
HITCH FRONT RACKET



Item	Code	Description	See page	QT
01	0521061202	HITCH FRONT RACKET		01
02	0501057851	POINT HITCH WITH ASSY JOINT	25	01
03	0503010014	3/4" NUT		08
04	0503010023	3/4" SPRING WASHER		08
05	0501010098	3/4" UNC BOLT		08
06	0503010002	1800 GREASE FITTING		01



Item	Code	Description	See page	QT
01	0511069038	POINT COUPLING		01
02	0503010002	1800 GREASE FITTING		01
03	0551016955	FLAT WASHER		01
04	0503012809	2" CASTLE NUT		01
05	0503010073	3/8 X 3-1/2 COTTERPIN		01



Item	Code	Description	See page	QT
01	0511045963	HYDRAULIC CYLINDER		02
02	0511047791	CILINDER ROCKER		02
03	0511068514	BEARING		02
04	0503010232	5/8" X 1.3/4" BOLT		04
05	0503010027	5/8" SPRING WASHER		04
06	0501012140	FLAT WASHER		04
07	0503010013	5/8" NUT		04
08	0501059638	HYDRAULIC VALVE EL/PN ASSY		01
08A	0503032386	HYDRAULIC VALVE EL/PN		01
08B	0503011109	2-119 N 3006-9B O'RING		04
08C	0541016753	NIPLE		02
08D	0541016752	1.1/4"X 1.1/16" UN X 11 NUT HEX		08
08E	0501010589	R. 1.1/16UN SEXT 1.1/4 X 52 NIPPLE		02
09	0501081478	3/4 X 400 TR-TR 2T HOSE		02
10	0501081479	3/4 X 650 TR-TC 2T HOSE		02
11	0501081480	3/4 X 600 TR-TC 2T HOSE		01
12	0501081481	3/4 X 800 TR-TR 2T HOSE		01
13	0501081482	3/4 X 900 TR-TC 2T HOSE		02
14	0501081483	3/4 X 1000 TR-TC 2T HOSE		02
15	0501081484	3/4 X 1100 TR-TC 2T		02
16	0501081485	3/4 X 1300 TR-TC 2T HOSE		02
17	0501081486	HOSE		04
18	0551015937	FIXER PLATE PIPING		02
19	0561013211	FIXER LOWER TUBING		02
20	0561013212	PLATE LOWER FIXER		02
21	0503011123	BOLT		02
22	0503010025	3/8" SPRING WASHER		04
23	0503010026	3/8" NUT		04
24	0503011268	3/8" X 2-1/2" BOLT		02
25	0503013534	ADAPTER T TEE		06
26	0511069769	TUBE TAC 10500		06

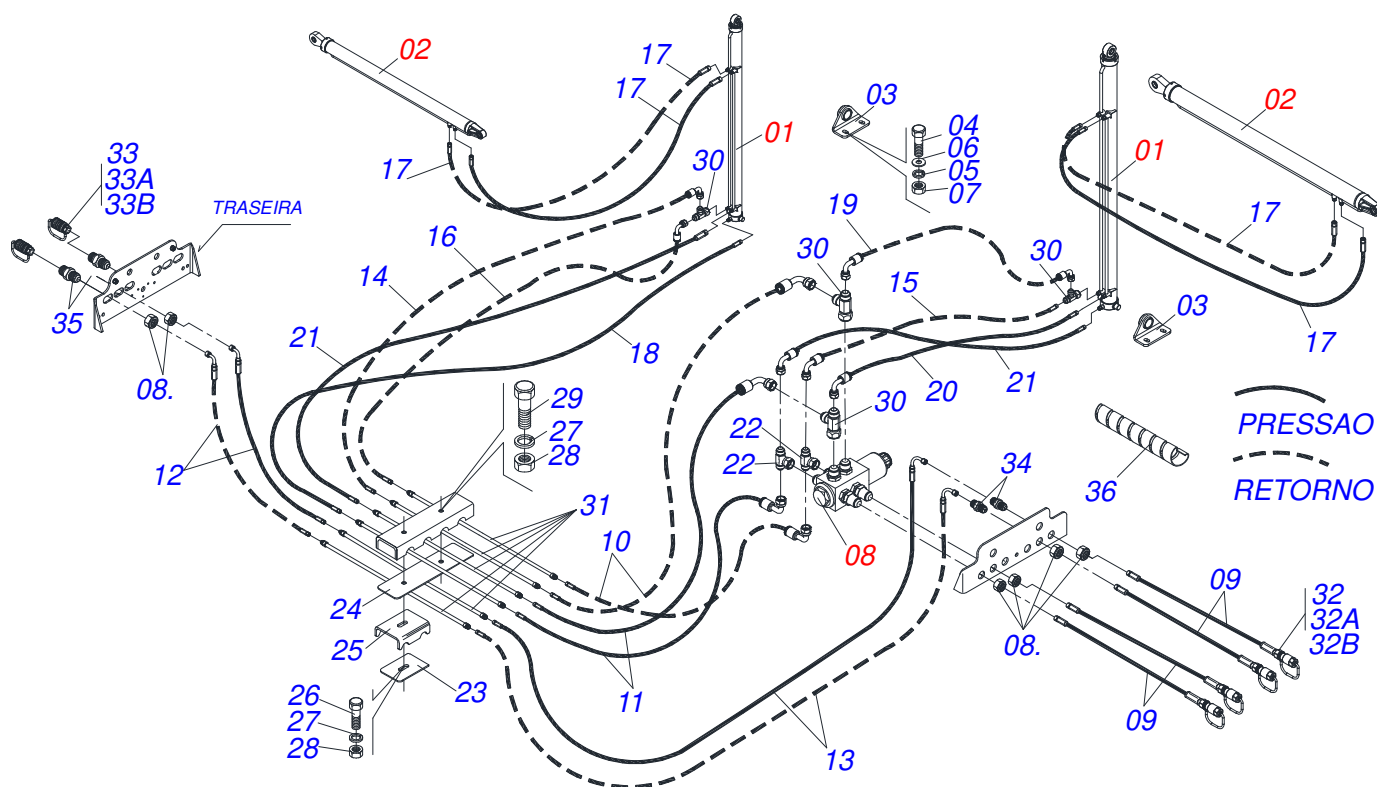


## SYSTEM HYDRAULIC

0909091971

Item	Code	Description	See page	QT
27	0501053834	MALE QUICK COUPLER WITH CAP - 1/2 NPT		04
27A	0503011627	MALE QUICK COUPLER AGR 1/2 NPT		04
27B	0503011882	MALE QUICK COUPLER CAP		04
28	0501053835	FEMALE QUICK COUPLER		04
28A	0503011628	FEMALE QUICK COUPLER		04
28B	0503011883	QUICK CONNECTION COVER		04
29	0541016751	NIPPLE		02
30	0561011869	R.1.1/16 UNF X 1/2 NPT X 75,5 NIPPLE		05
31	0503014278	MP100 PLASTIC PROTECTION SPRING FOR 3/4 HOSE		02MT
32	0503013535	ADAPTER T TEE JIC 1.1/16		02
33	0501081488	3/4 X 4000 TR-TR 2T HOSE		01
34	0501081487	3/4 X 4100 TR-TC 2T HOSE		01
35	0501081489	3/4 X 4000 TR-TR 2T HOSE		01
36	0501081490	3/4 X 4400 TR-TC 2T HOSE		01





Item	Code	Description	See page	QT
01	0521045265	HYDRAULIC CYLINDER		02
02	0511047791	CILINDER ROCKER		02
03	0511068514	BEARING		02
04	0503010232	5/8" X 1.3/4" BOLT		04
05	0503010027	5/8" SPRING WASHER		04
06	0501012140	FLAT WASHER		04
07	0503010013	5/8" NUT		04
08	0501059757	HYDRAULIC VALVE EL/HIDRAULIC ASSY		01
08.	0541016752	1.1/4"X 1.1/16" UN X 11 NUT HEX		06
09	0501081486	HOSE		02
10	0501081482	3/4 X 900 TR-TC 2T HOSE		02
11	0501081483	3/4 X 1000 TR-TC 2T HOSE		01
12	0501081484	3/4 X 1100 TR-TC 2T		01
13	0501081485	3/4 X 1300 TR-TC 2T HOSE		02
14	0501081479	3/4 X 650 TR-TC 2T HOSE		02
15	0501081197	3/4 X 600 TR-TC HOSE		01
16	0501081502	3/4 X 700 TR-TC 2T HOSE		02
17	0501081019	HOSE		04
18	0501081481	3/4 X 800 TR-TR 2T HOSE		01
19	0501080870	3/4 X 500 HOSE		01
20	0501081288	3/4 X 500 TR-TC HOSE		01
21	0501081320	3/4 X 600 TR-TR HOSE		01
22	0503013535	ADAPTER T TEE JIC 1.1/16		02
23	0551015937	FIXER PLATE PIPING		02
24	0561013211	FIXER LOWER TUBING		02
25	0561013212	PLATE LOWER FIXER		02
26	0503011124	3/8" X 5" BOLT		02
27	0503010025	3/8" SPRING WASHER		04
28	0503010026	3/8" NUT		04
29	0503013665	SCREW 3/8 UNC X 3.1/4 C S RP G.2 ZN		02
30	0503013534	ADAPTER T TEE		02

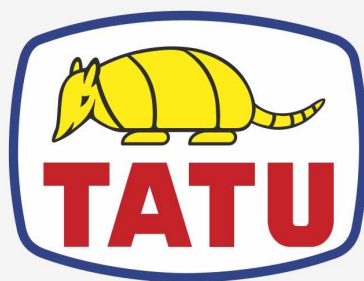


SYSTEM HYDRAULIC (VEH)

0909098752

Item	Code	Description	See page	QT
31	0511068699	TUBE COMMUNICATION		06
32	0501053834	MALE QUICK COUPLER WITH CAP - 1/2 NPT		04
32A	0503011627	MALE QUICK COUPLER AGR 1/2 NPT		04
32B	0503011882	MALE QUICK COUPLER CAP		04
33	0501053835	FEMALE QUICK COUPLER		04
33A	0503011628	FEMALE QUICK COUPLER		04
33B	0503011883	QUICK CONNECTION COVER		04
34	0541016751	NIPPLE		02
35	0561011869	R.1.1/16 UNF X 1/2 NPT X 75,5 NIPPLE		05
36	0503014278	MP100 PLASTIC PROTECTION SPRING FOR 3/4 HOSE		02MT





**MARCHESAN**

**Technical Publications | Elaboration and Revision**

ALESSANDRA PATRICIA KAWAHARA CARRILI

[www.marchesan.com.br](http://www.marchesan.com.br)

