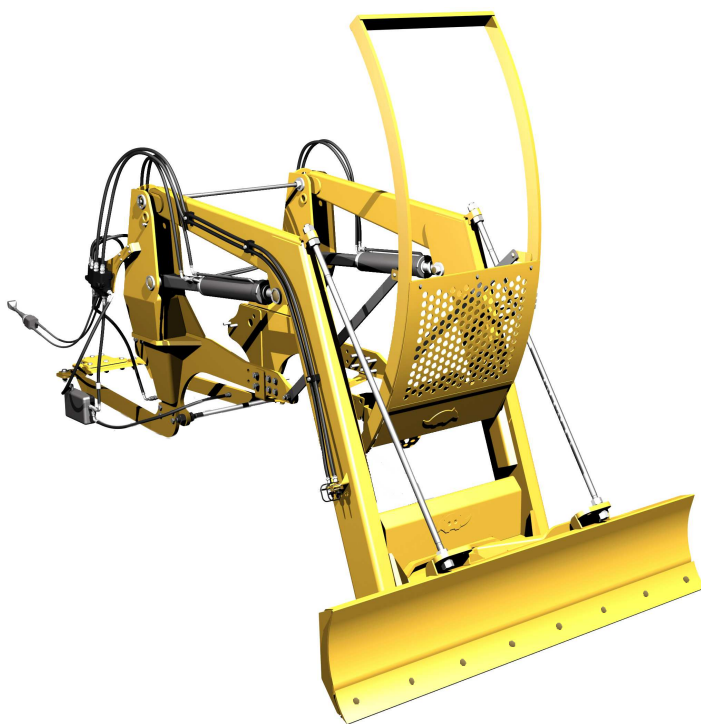


PARTS CATALOG

PD - FRONT LOADER

PD VTR BH 180/194 G4 BT CDC JY GAL

Code: 0501092491



Series: S-0717

Rev.: 00

Date Rev.: MARÇO/2019

**ORIGINAL PARTS
TATU**



PRODUCTS

Code

0106020454

Description

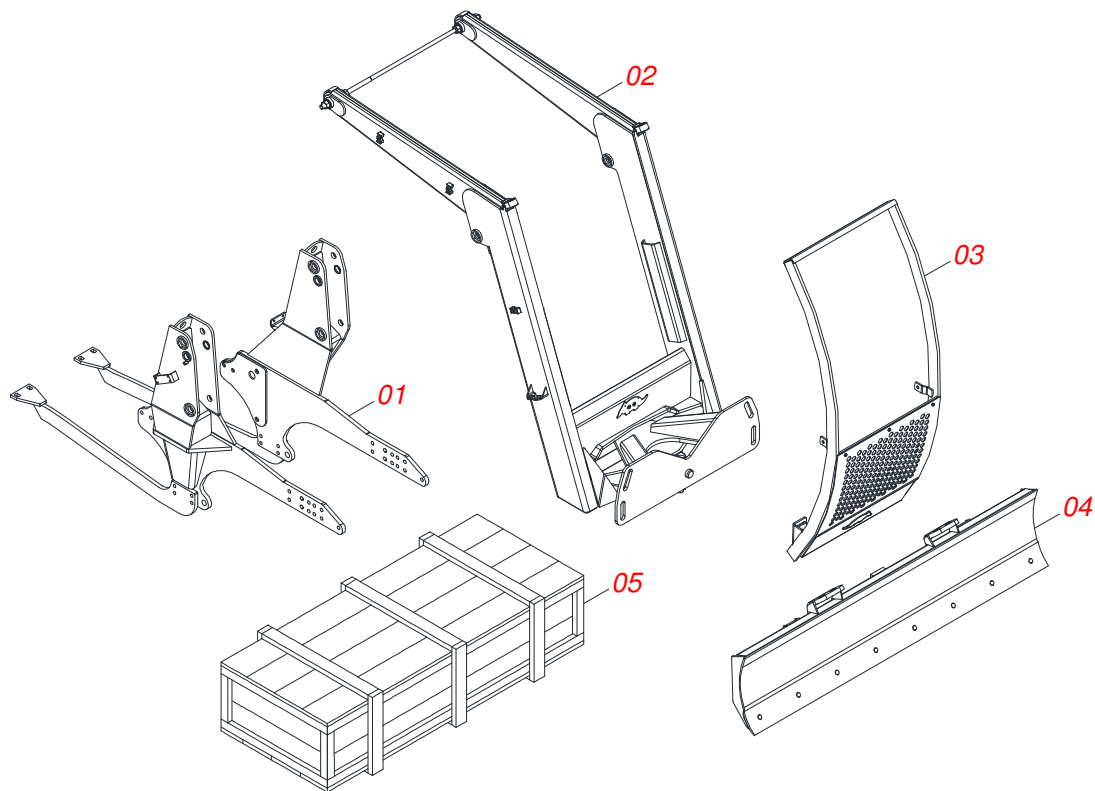
PD VTR BH 154/174/180/194 G4 BT CDC JS GAL S-0717

ATTENTION: *IMPORTANT*

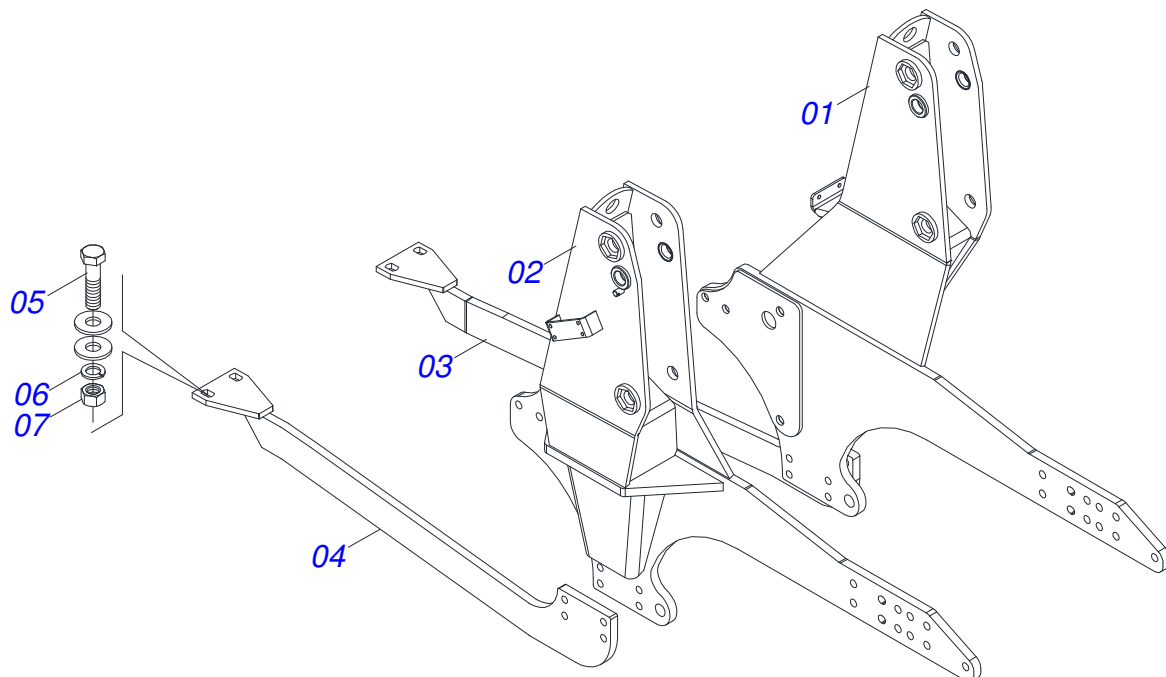
MARCHESAN S/A RESERVES THE RIGHT AT ANY TIME TO MAKE IMPROVEMENTS IN THE DESIGN, MATERIAL OR SPECIFICATIONS OF MACHINERY, EQUIPMENT OR PARTS WITHOUT THEREBY BECOMING LIABLE TO MAKE SIMILAR CHANGES IN MACHINERY, EQUIPMENT OR PARTS PREVIOUSLY SOLD.

INDEX

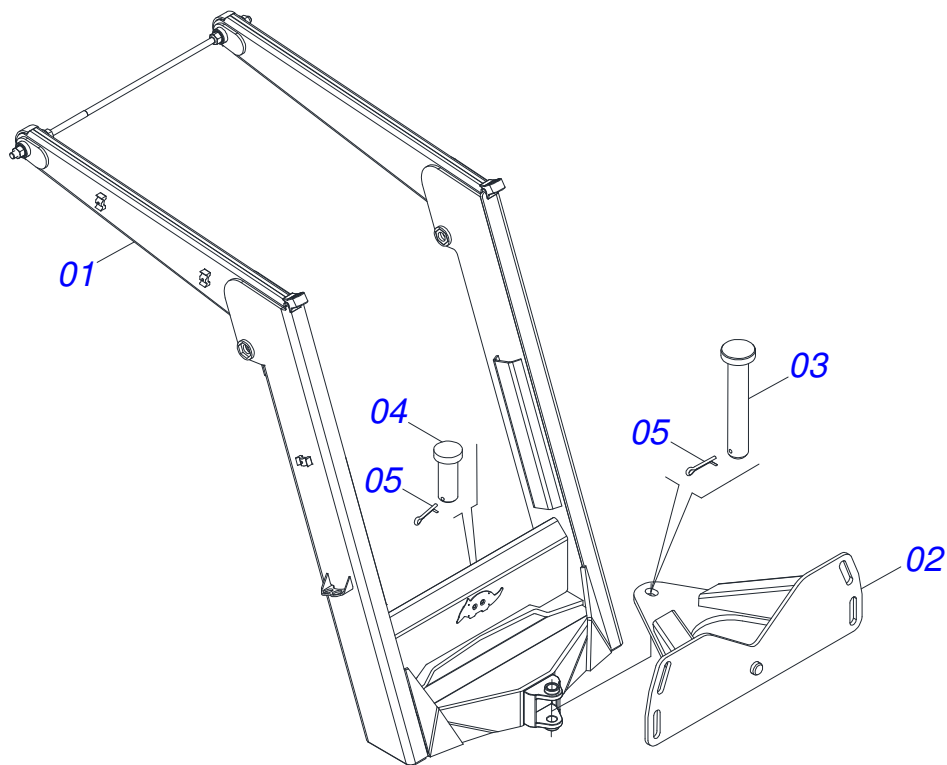
0106020454	PD VTR BH 154/174/180/194 G4 BT CDC JS GAL S-0717	1
0521047672	FRAME ASSEMBLY WITH DRAWBAR	2
0521047673	MOBILE SUPPORT ASSY	3
0501048330	MOBILE SUPPORT GUIDE ASSY	4
0511045456	2600 BLADE SUPPORT ASSY	5
0521023908	BOX WITH COMPONENTS	6
0521045393	SET SUPPORT JOY STICK	7
0521047684	JOYSTICK COMAND	8
0501041652	FULL 1.1/4" X 31.88" ROD ASSY	9
0521044193	1.1/4 NC X 1810 FULL ROD	10
0521051770	HYDRAULIC CYLINDER	11
0521051768	HYDRAULIC CYLINDER	12
0511054457	ASSY SAFETY VALVE	13
0511032947	PACKED PARTS	14
0521051796	HOSE SET	15



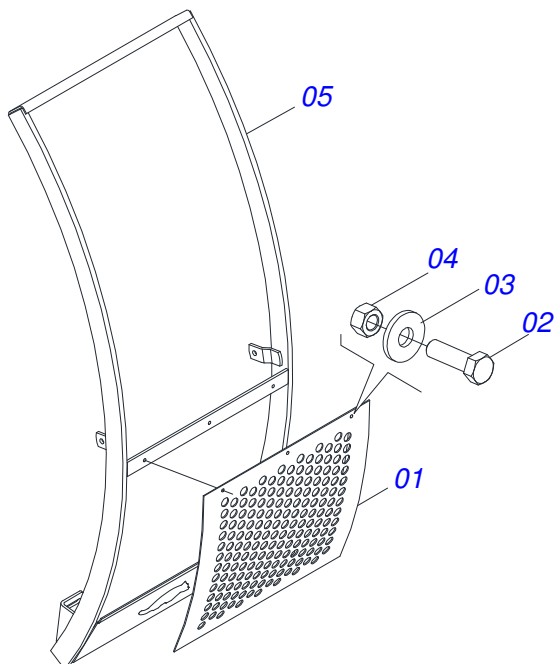
Item	Code	Description	QT
001	0521047672	FRAME ASSEMBLY WITH DRAWBAR	01
002	0521047673	MOBILE SUPPORT ASSY	01
003	0501048330	MOBILE SUPPORT GUIDE ASSY	01
004	0511045456	2600 BLADE SUPPORT ASSY	01
005	0521023908	BOX WITH COMPONENTS	01



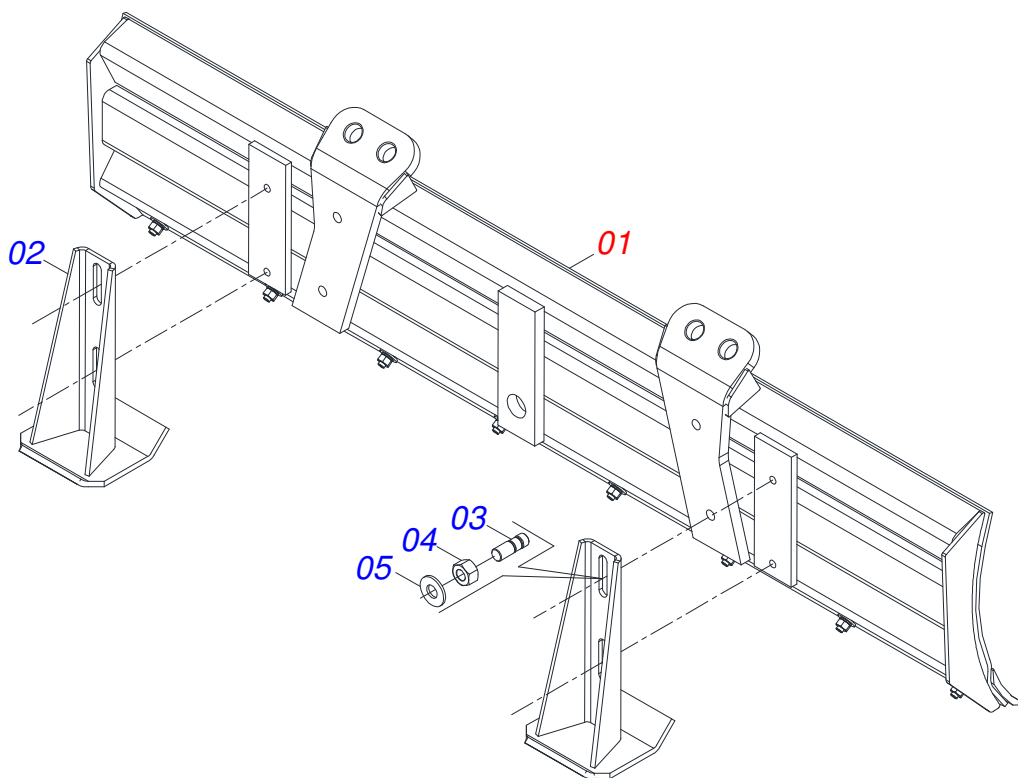
Item	Code	Description	QT
001	0521068145	LEFT FRAME	01
002	0521068146	RIGHT FRAME	01
003	0521064903	BACK BAR	01
004	0521065072	REAR BAR	01
005	0501010500	3/4"X3"BOLT	04
006	0503010023	SPRING WASHER	04
007	0503010014	3/4" NUT	04



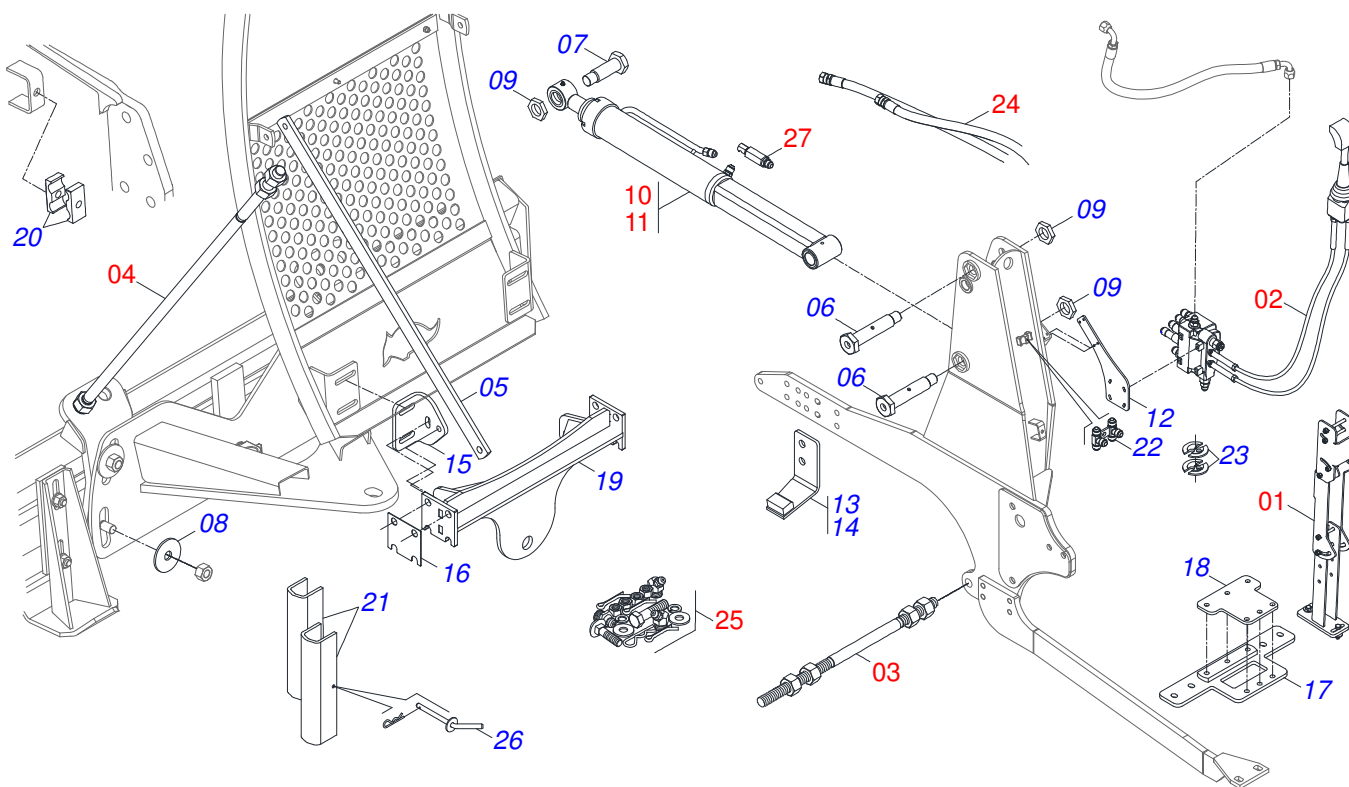
Item	Code	Description	QT
001	0521068135	MOBILE SUPPORT	01
002	0501062637	5/8" REGULATOR SUPPORT	01
003	0521010618	1.4" X 8.6" COUPLING SHAFT	01
004	0521010612	1.4" X 3.5" COUPLING SHAFT	01
005	0503010010	1/4" X 2.1/2" COTTERPIN	02



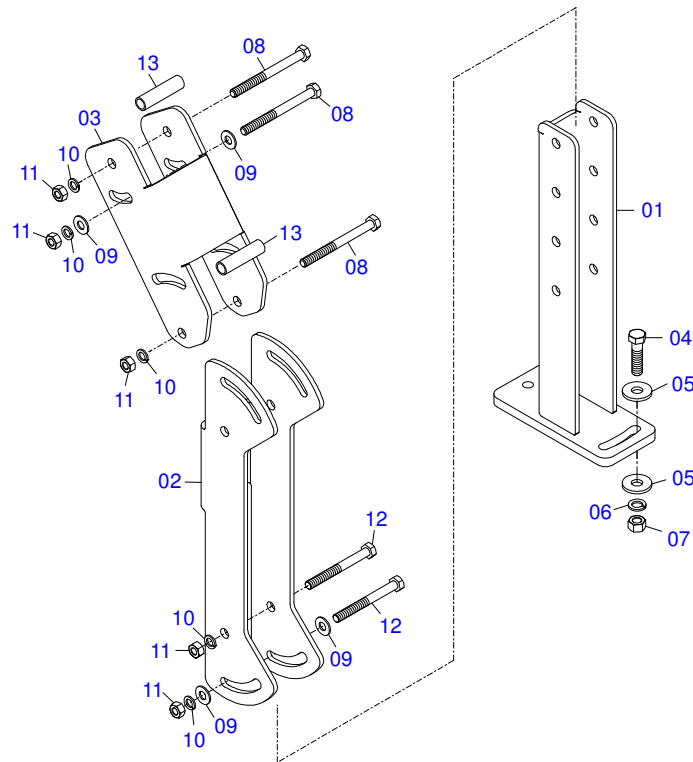
Item	Code	Description	QT
01	0501014686	FRONT PROTECTION	01
02	0503010751	C3/8" X 1.1/4" HEX BOLT G.5	03
03	0501010984	FLAT WASHER	03
04	0503010026	3/8" NUT	03
05	0511061998	MOBILE SUPPORT GUIDE ASSY	01



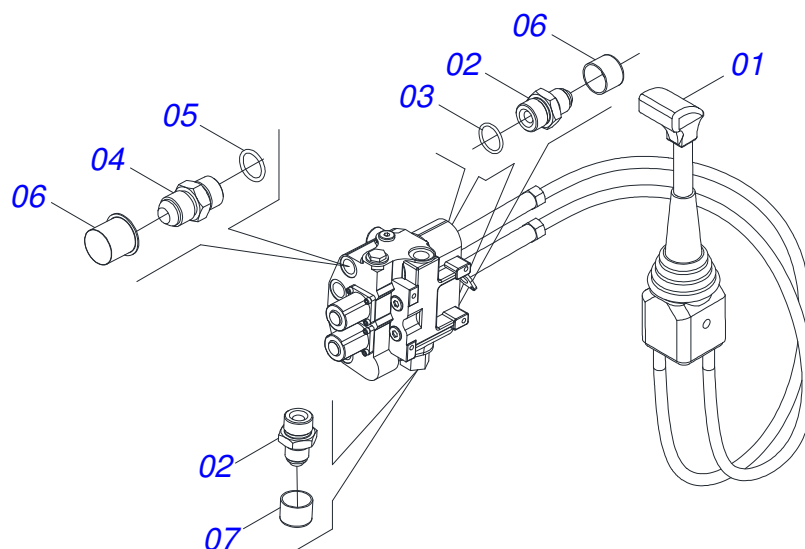
Item	Code	Description	QT
001	0501047710	2600MM BLADE SUPPORT ASSY	01
002	0501063411	ESTABILIZER BRACKET	02
003	0561016756	3/4 UNC X 3/4 UNC X 56 PRISONER	04
004	0503010014	3/4" NUT	08
005	0501010322	FLAT WASHER	04



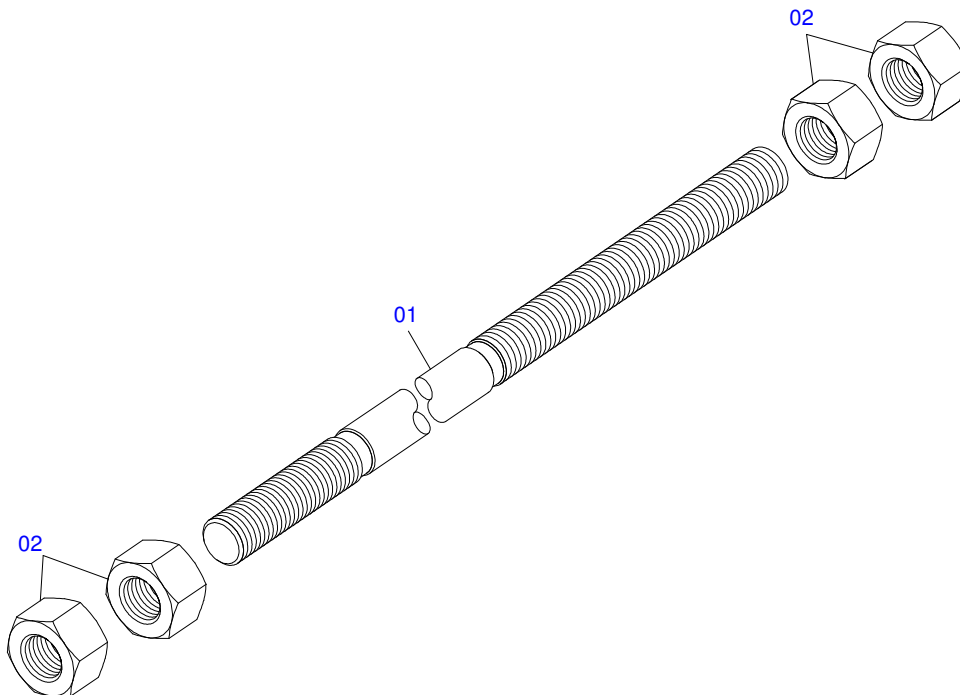
Item	Code	Description	QT
01	0521045393	SET SUPPORT JOY STICK	01
02	0521047684	JOYSTICK COMAND	01
03	0501041652	FULL 1.1/4" X 31.88" ROD ASSY	01
04	0521044193	1.1/4 NC X 1810 FULL ROD	02
05	0511013560	ATTACHMENT BAR	02
06	0581015228	BOLT	04
07	0581010693	BOLT	02
08	0501010574	FLAT WASHER	04
09	0581010243	WASHER HEX	06
10	0521051770	HYDRAULIC CYLINDER	01
11	0521051768	HYDRAULIC CYLINDER	01
12	0581015053	COMMAND SUPPORT	01
13	0521065892	RIGHT BEATER	01
14	0521065895	LEFT BEATER	01
15	0571014003	FASTENING BRACKET OF THE HIGH GUIDE	02
16	0571017466	FIXING CHOCK	02
17	0521065069	LOWER FIXING	01
18	0571016626	SUPPORT FIXER	01
19	0521065156	MOBILE SUPPORT FIXER	01
20	0502010477	UPPER CLIP	06
21	0531017238	LOCK TRANSPORT 357 GAPCW 45	02
22	0521064869	7/8UNF JIC OIL DISTRIBUTOR - PD NH T7 175	01
23	0581013404	PUMP	02
24	0521051796	HOSE SET	01
25	0511032947	PACKED PARTS	01
26	0501068994	0.3" X 3.1" LOCK PIN	02
27	0511054457	ASSY SAFETY VALVE	02



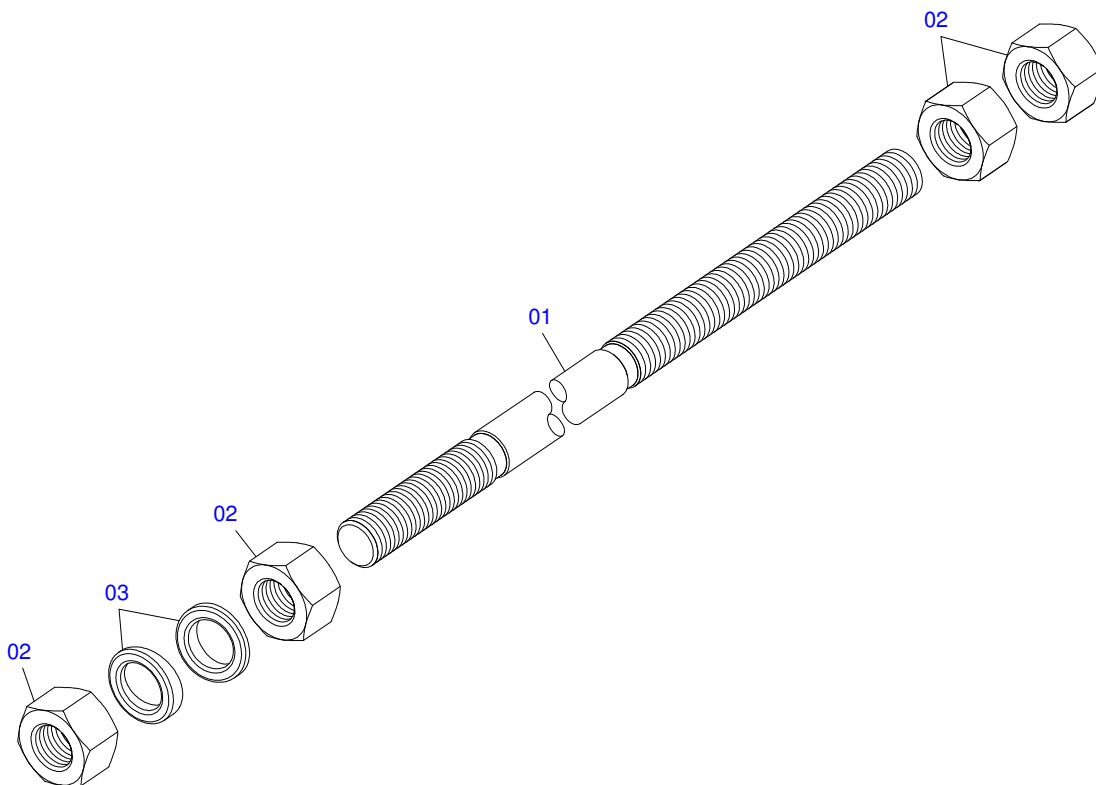
Item	Code	Description	QT
01	0521065789	LOWER JOYSTICK SUPPORT PCA	01
02	0571018376	CENTRAL BODY SUPPLEMENT OF JOYSTICK PCA	01
03	0571018375	SUPERIOR BODY SUPPLEMENT OF JOYSTICK PCA	01
04	0503010849	3/8" X 1-1/2" BOLT	02
05	0501010984	FLAT WASHER	02
06	0503010025	3/8 SPRING WASHER	02
07	0503010026	3/8" NUT	02
08	0503010848	5/16" X 3.1/2" BOLT	04
09	0501010694	FLAT WASHER	06
10	0503010179	SPRING WASHER	06
11	0503010337	5/16" NUT	06
12	0503011053	5/16" X 3" C S 6.5 ZN BOLT	02
13	0541015551	0.39" X 0.512" X 1.9" SLEEVE	02



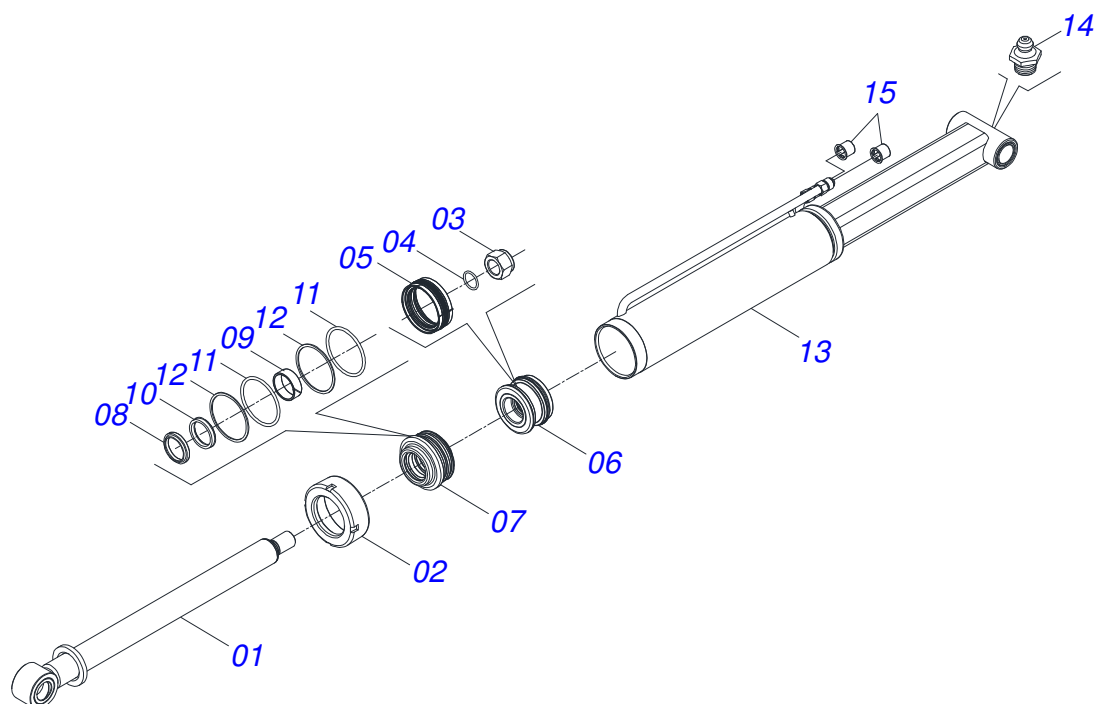
Item	Code	Description	QT
01	0503062415	COMPLETE JOYSTICK CONTROL SDM122/2	01
02	0511018014	7/8"NF X 1.1/16 UN NIPPLE	03
03	0503011109	2-119 N 3006-9B O-RING	02
04	0501010590	7/8" REDUCTION NIPPLE	04
05	0503010045	2-116 N 3006-9B O-RING	04
06	0503030387	PLUG	04



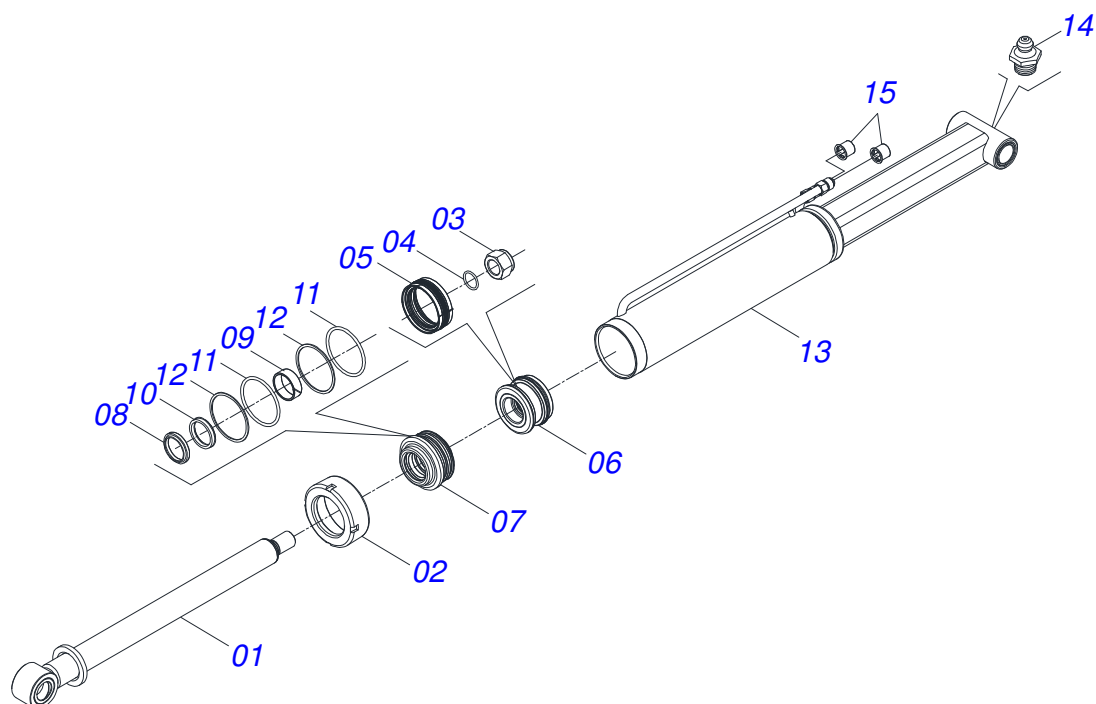
Item	Code	Description	QT
01	0501014916	1.1/4" X 31.88" ROD	01
02	0501010087	1.1/4" NUT	04



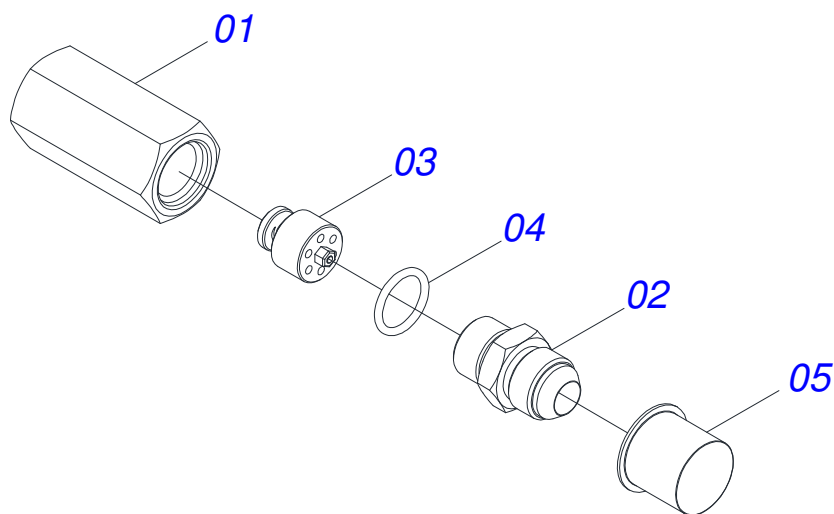
Item	Code	Description	QT
01	0571016063	1.1/4X1810 ROD - PD NH T7.175	01
02	0501010087	1.1/4" NUT	04
03	0502012180	CONICAL SPRING WASHER	02



Item	Code	Description	QT
001	0521068132	TURNBUCKLE	01
002	0502012822	101,60 MOBILE COVER	01
003	0503010817	1-1/4" SELF-ADJUSTING NUT	01
004	0503010345	2-218 N 3006-9B O'RING	01
005	0503015633	SELEMASTER SEALING	01
006	0502012842	50,80 X 101,60 PISTON	01
007	0581010678	50,80 X 101 RING SUPPORT	01
008	0503015636	SCRAPER SEAL	01
009	0503018025	RING GUIDE	01
010	0503018026	1870-2000-375 B GASKET	01
011	0503010338	2-342 N 3006-9B O'RING	02
012	0503011061	8-342 BACK-UP RING	02
013	0521068134	CYLINDER CASE	01
014	0503010002	1800 GREASE FITTING	02
015	0503030387	PLUG	02

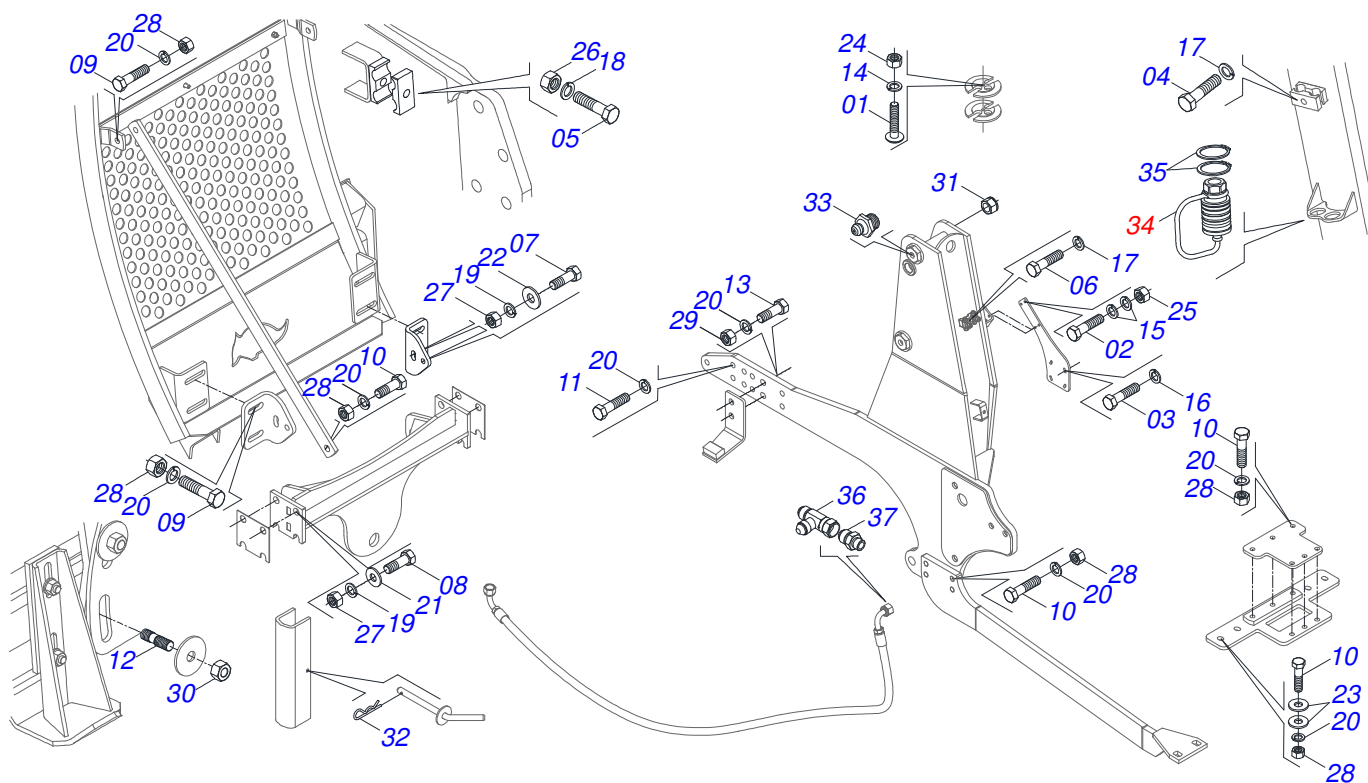


Item	Code	Description	QT
001	0521068132	TURNBUCKLE	01
002	0502012822	101,60 MOBILE COVER	01
003	0503010817	1-1/4" SELF-ADJUSTING NUT	01
004	0503010345	2-218 N 3006-9B O'RING	01
005	0503015633	SELEMASTER SEALING	01
006	0502012842	50,80 X 101,60 PISTON	01
007	0581010678	50,80 X 101 RING SUPPORT	01
008	0503015636	SCRAPER SEAL	01
009	0503018025	RING GUIDE	01
010	0503018026	1870-2000-375 B GASKET	01
011	0503010338	2-342 N 3006-9B O'RING	02
012	0503011061	8-342 BACK-UP RING	02
013	0521068133	CYLINDER CASE	01
014	0503010002	1800 GREASE FITTING	02
015	0503030387	PLUG	02



Item	Code	Description	QT
001	0581014053	1/2 BSP X 7/8 UNF JIC X 64 ADAPTER - GATG	01
002	0581014052	1/2 BSP X 7/8 UNF JIC X 43 NIPL - PD/PCA	01
003	0503016854	VALVE ASSY	01
004	0503010045	2-116 N 3006-9B O'RING	01
005	0503030387	PLUG	01

PACKED PARTS



Item	Code	Description	QT
01	0503017866	3/16" X 1,1/2" BOLT	01
02	0503010371	5/16" X 1" BOLT	04
03	0503011295	M 8 X 1,25 X 25 BOLT	04
04	0503012555	7/16" X 2" BOLT	05
05	0503010834	1/2 X 1 BOLT	01
06	0503010311	1/2" X 1-1/4" BOLT	01
07	0501010100	5/8 UNC X 2 C S G.5 BOLT	04
08	0501011541	5/8" X 3" BOLT	08
09	0501010098	HEX BOLT 3/4 UNC X 2 C S G.5 ZN	06
10	0503013394	3/4" X 3" BOLT	20
11	0503013103	M20 X 2,5 X 90 BOLT	12
12	0561016755	PRISONER 1 UNC X 1 UNC X 76 ZN	04
13	0511014160	3/4" X 4.52" STUD	04
14	0503010668	3/16" SPRING WASHER	01
15	0503010179	SPRING WASHER	04
16	0503014371	M8 SPRING WASHER	04
17	0503010180	7/16" SPRING WASHER	05
18	0503010019	1/2" SPRING WASHER	01
19	0503010027	SPRING WASHER	12
20	0503010023	SPRING WASHER	50
21	0501012140	FLAT WASHER	08
22	0501011312	FLAT WASHER	02
23	0501010322	FLAT WASHER	08
24	0503010667	3/16" NUT	01
25	0503010337	5/16" NUT	04
26	0503010028	1/2" NUT	01
27	0503010013	5/8" NUT	12
28	0503010014	3/4" NUT	38
29	0503010335	3/4"NUT	04
30	0501010059	1.5/8 NUT	04
31	0503010044	1-1/4" SELF-ADJUSTING NUT	06

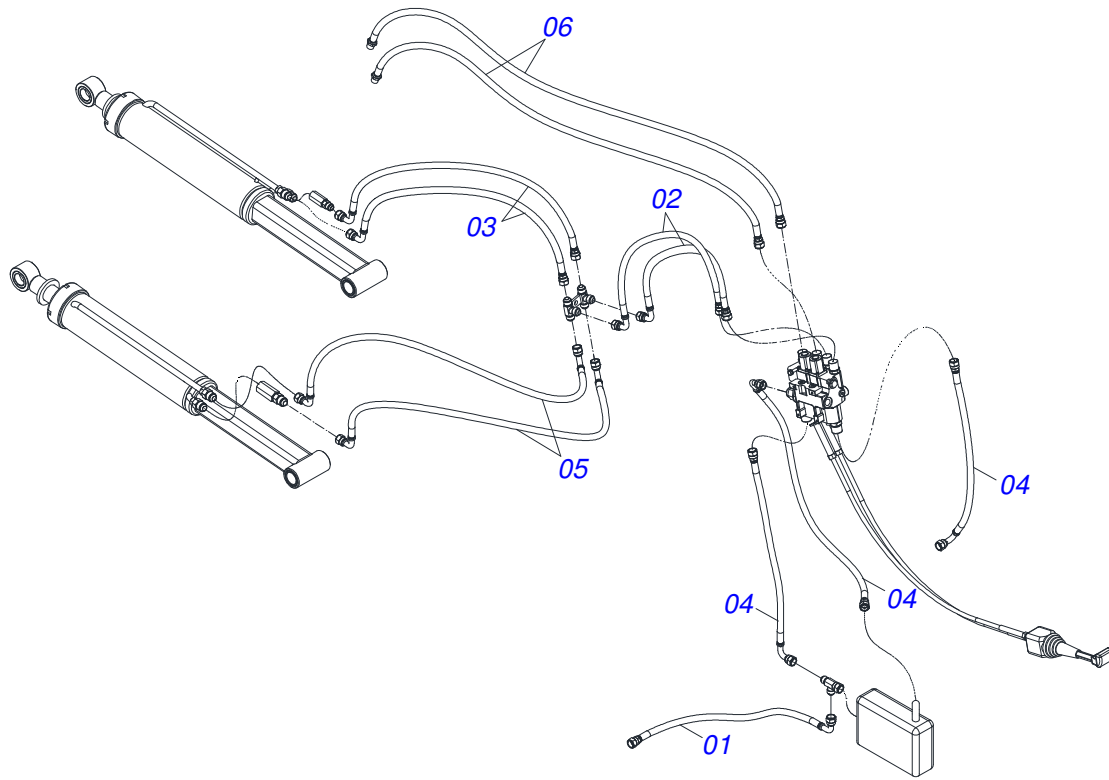


PACKED PARTS

0511032947

Item	Code	Description	QT
32	0503030012	HAIR PIN	02
33	0503010002	1800 GREASE FITTING	06
34	0501053835	FEMALE QUICK COUPLER	02
35	0503010217	501040 CLAMPING RING (FOR AXLE)	04
36	0503062177	7/8 (V.C) T-ADAPTER WITH NUT	01
37	0503034526	NIPPLE UNION	01

HOSE SET



Item	Code	Description	QT
01	0501080166	1/2" X 22" TR-TR HOSE ASSY	01
02	0501080218	1/2 X 750 HOSE	02
03	0501080060	1/2 X 1600 TR-TC HOSE	02
04	0501080016	1/2 X 2800 TR-TC HOSE	03
05	0501080137	1/2 X 3000 TC-TC HOSE	02
06	0501080959	1/2 X 3400 HOSE	02



MARCHESAN IMPLEMENTOS E MÁQUINAS AGRÍCOLAS TATU S.A.

AV. Marchesan, 1979 - Post office box, 131 - CEP 15994-900 - Matão - SP - Brazil

Phone +55 16.3382-8282

(FAX Parts) + 55 16.3382. 8297 - (Export) + 55 16.3382.1003

e.mail: tatu@marchesan.com.br www.marchesan.com.br

Technical Publications: Elaboration

MARINA PEREZ NIZA

Technical Publications: Revision

MARINA PEREZ NIZA

Contact Catálogo:

E-mail = jgaspari@marchesan.com.br

**ORIGINAL PARTS
TATU**

