

DOUBLE OFFSET DISK HARROW

OTDH 8009T - 32/34 D

Code: 0501092488

Series: S-0118

Revision: 00

Date Revision: JANEIRO/2022

PARTS CATALOGUE



MARCHESAN



PRODUCTS

Code	Description
0102430650	OTDH 8009T 32 X 24 X 4,75 DM MT C/ET C/AP S-1118
0102430649	OTDH 8009T 32 X 24 X 4,75 DM MT C/ET S-1118
0102430651	OTDH 8009T 34 X 24 X 4,75 DM MT FF C/ET S-1118
0102430648	OTDH 8009T 34X24X4,75 DM MT ESPECIAL S-1118
0102430666	OTDH 8009T 34X24X4,75 DM MT ESPECIAL S-1118

ATTENTION: IMPORTANT

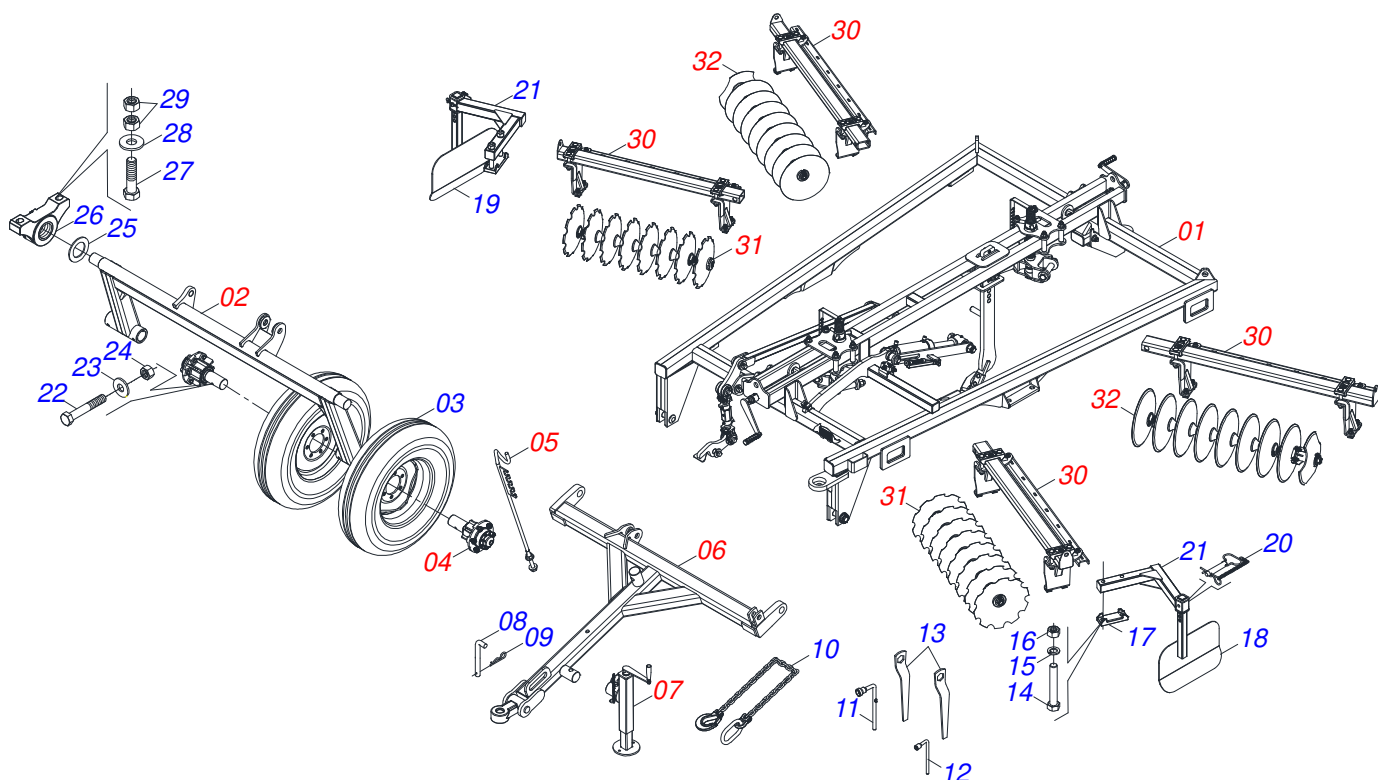
Marchesan S.A. reserves the right to improve and / or modify the technical features of its products, without obligation to do the same with those products already sold and without prior knowledge of the dealer or the consumer.



MARCHESAN

INDEX

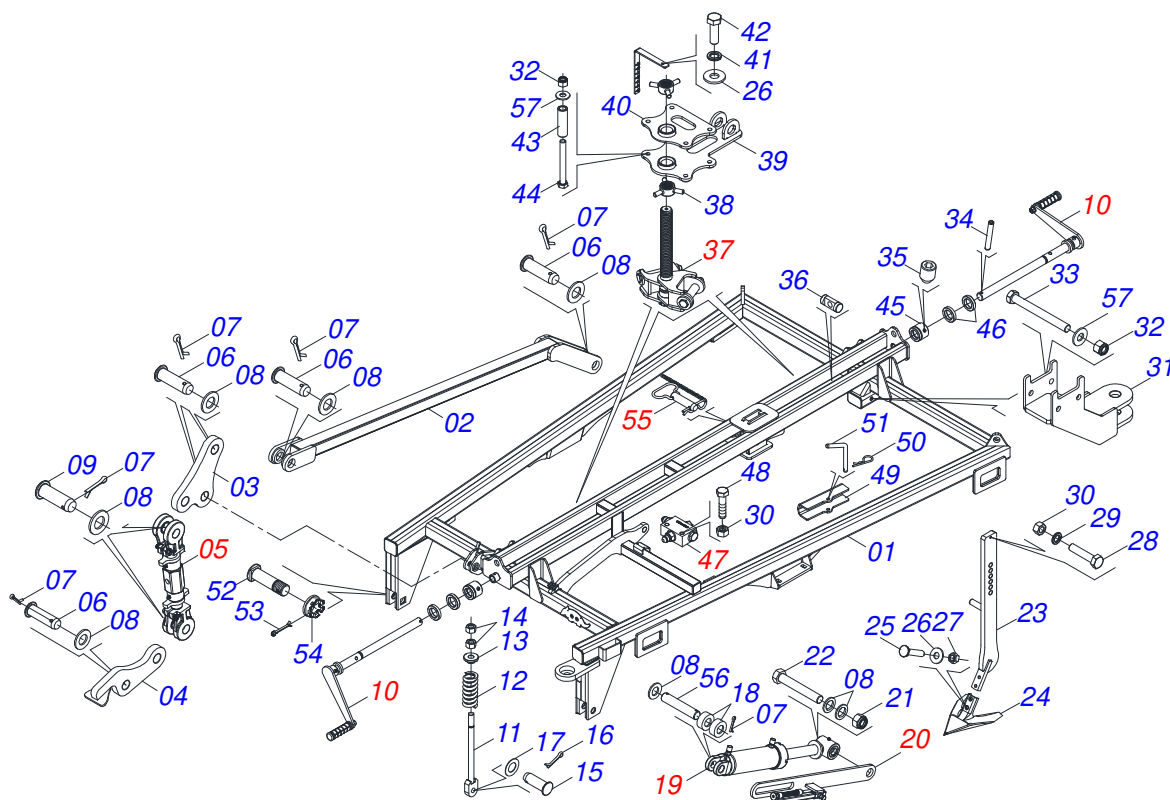
0909095173	OTDH 8009T	1
0909095170	FRAME ASSY 32 34	2
0521054911	STABILIZER ASSEMBLY	3
0521048856	CRANK 531	4
0521045737	HYDRAULIC CILINDER 44,45 X 85,72 X 515 X 205	5
0521048855	REGULATOR CONTROL DEPTH ASSEMBLY	6
0511059126	DEPTH CONTROL REGULATOR WITH SCALE	7
0521048853	JOINT ASSEMBLY	8
0521048854	VALVE LIMITER COURSE	9
0521055049	AXLE	10
0503060091	L29.5"X0.63"-10L WHEEL AND	11
0501055262	STUB SHAFT & HUB ASSY	12
0501040257	3/4 X 1200 HOSE HOLDER A	13
0521048883	DRAWBAR JACK	14
0511048088	DRAWBAR JACK	15
0521055040	AXLE ASSY 22,22 EC 85 E	16
0521054631	AXIS 27,80 X EC 98 ASSY	17
0909095175	ASSY SIDE FRAME 32/34 D	18
0909095176	CUT OUT DISCS SECTION - 32/34 D	19
0909095177	FLAT DISK SECTION - 32D	20
0909095179	FLAT DISK SECTION - 34D	21
0501043029	AGR DM OL 225X 1.1/2 BEARING	22
0909095181	HYDRAULIC SYSTEM - 32/34 D	23
0501053834	MALE QUICK COUPLER WITH CAP - 1/2 NPT	24



Item	Code	Description	See page	QT
01	0909095170	FRAME ASSY 32 34	2	01
02	0521069516	CARRYING-WHEELS SUPPORT		01
03	0503060091	L29.5"X0.63"-10L WHEEL AND	11	04
04	0501055262	STUB SHAFT & HUB ASSY	12	04
05	0501040257	3/4 X 1200 HOSE HOLDER A	13	01
06	0521069505	DRAWBAR		01
07	0521048883	DRAWBAR JACK	14	01
08	0521010453	AXI SHAFT		01
09	0503031035	HAIR PIN		01
10	0503013150	1300 X 3/8 CHAIN		01
11	0501061617	1" GANG BOLT WRENCH		01
12	0501068273	5/8" WRENCH		01
13	0501011432	1-1/2" AND 1-5/8 GANG BOLT WRENCH		02
14	0501014172	1" X 8" BOLT		04
15	0503010012	1" SPRING WASHER		04
16	0501010059	1.5/8 NUT		04
17	0502012323	BRACKET FIXER		02
18	0521069522	LEFT PROTECTION		02
19	0521069523	RIGHT PROTECTION		02
20	0521054631	AXIS 27,80 X EC 98 ASSY	17	02
21	0521069521	PROTECTION ARM		02
22	0503010547	1/2" X 4" BOLT		04
23	0511017302	FLAT WASHER		04
24	0503010060	1/2" NUT		04
25	0501017579	FLAT WASHER		02
26	0501110856	ARTICULACION BEARING		25
27	0503010797	3/4" X 4" BOLT		02
28	0501010322	FLAT WASHER		02
29	0503010014	3/4" NUT		02
30	0909095175	ASSY SIDE FRAME 32/34 D	18	01
31	0909095176	CUT OUT DISCS SECTION - 32/34 D	19	02



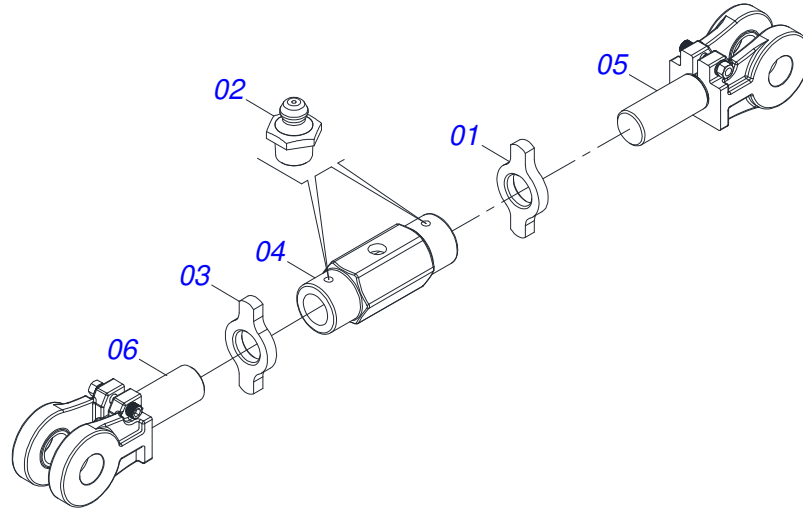
Item	Code	Description	See page	QT
32	0909095177	FLAT DISK SECTION - 32D	20	02
32.	0909095179	FLAT DISK SECTION - 34D	21	02



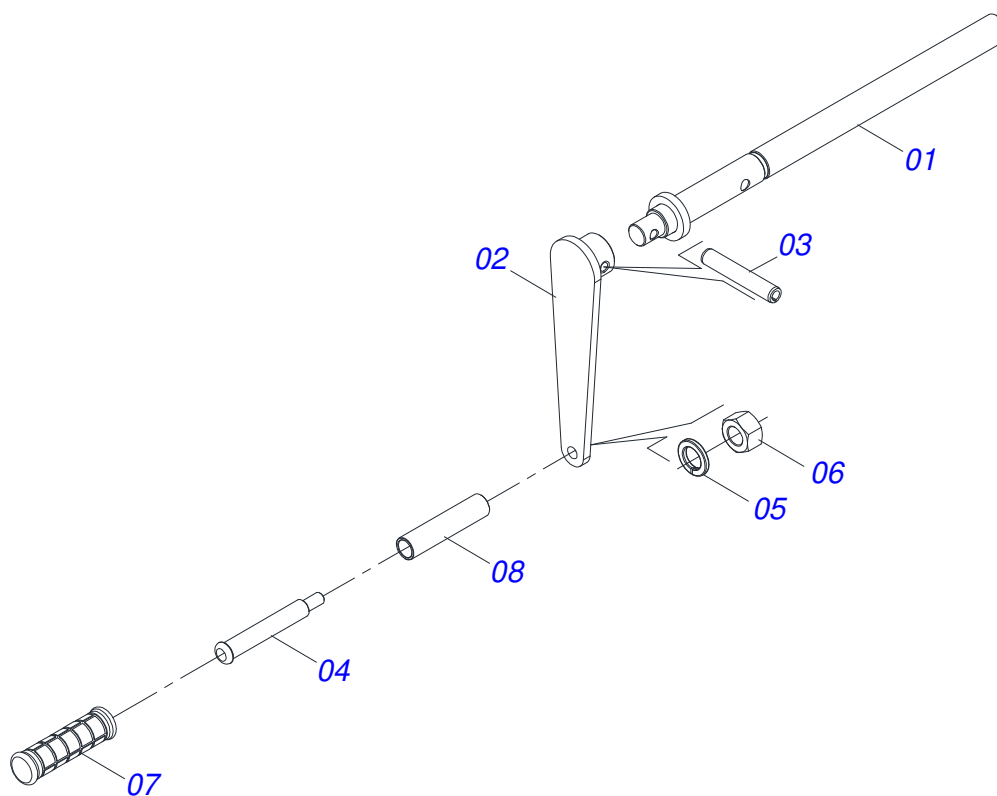
Item	Code	Description	See page	QT
01	0521069514	FRAME		01
02	0521069507	STABILIZER BAR		01
03	0581019273	ARTICULATION		01
04	0521069517	LOWER ARTICULATOR		01
05	0521054911	STABILIZER ASSEMBLY	3	01
06	0511014394	1.25" X 4.13" COUPLING SHAFT		05
07	0503010523	1/4" X 2" COTTERPIN		07
08	0501017779	32 X 60 X 4.75 FLAT WASHER		13
09	0521010779	31.75 X 95 COUPLING SHAFT		01
10	0521048856	CRANK 531	4	02
11	0501064699	SPRING ROD		01
12	0503030541	3.4" X 8.0" X 0.8" SPRING		01
13	0541011426	SPRING GUIDE		01
14	0501010087	1.1/4" NUT		01
15	0521010592	1.1" X 3.1" COUPLING SHAFT		01
16	0503010571	1/4" X 1.1/2 COTTERPIN		01
17	0561011883	FLAT WASHER		01
18	0581019279	SLEEVE		01
19	0521045737	HYDRAULIC CILINDER 44,45 X 85,72 X 515 X 205	5	01
20	0521048855	REGULATOR CONTROL DEPTH ASSEMBLY	6	01
21	0503010817	1.1/4" SELF LOCKING NUT		01
22	0521017351	1-1/4" X 8" BOLT		01
23	0521069519	SUPPORT		01
24	0628095654	CHISEL SWEEP		01
25	0501010141	1/2" X 2-1/2" BOLT		02
26	0511017302	FLAT WASHER		02
27	0503012682	1/2" BSW NUT		02
28	0503011404	BOLT		07
29	0503010025	3/8" SPRING WASHER		01
30	0503010026	3/8" NUT		01
31	0521069525	REAR HITCH		01



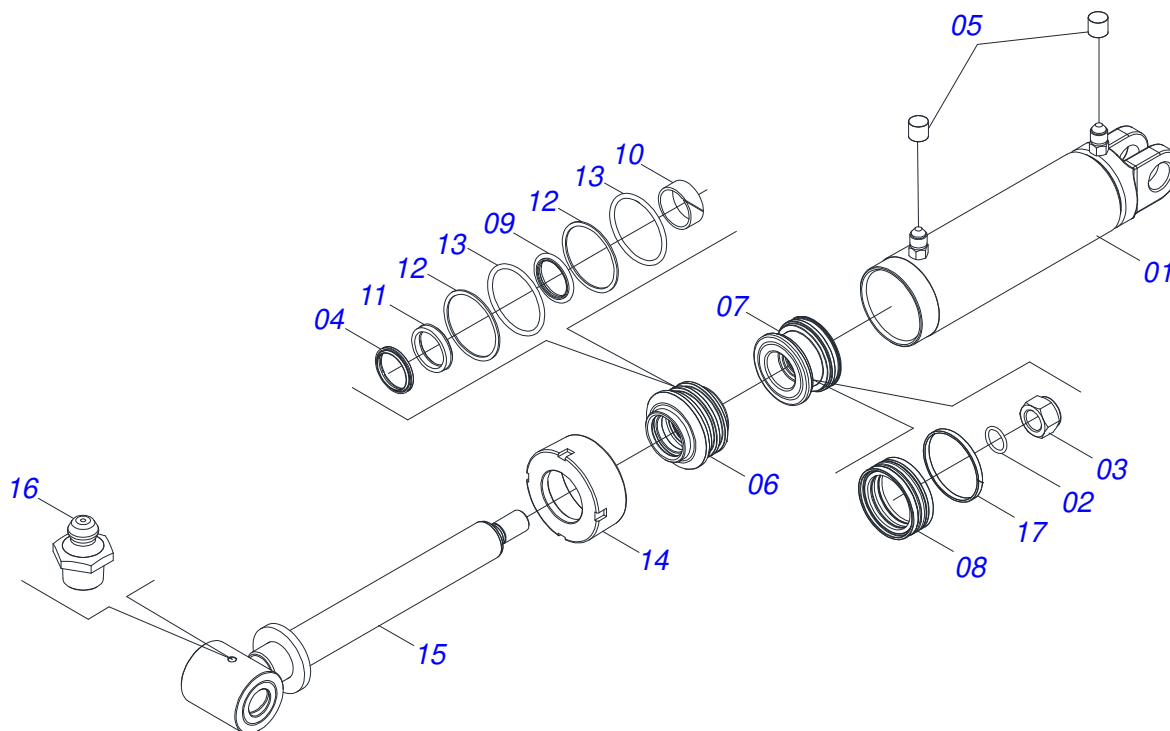
Item	Code	Description	See page	QT
32	0503011075	3/4" UNC NUT		02
33	0501010164	3/4" X 7 BOLT		02
34	0503010292	0.2" X 1.6" SPRING PIN		02
35	0503011148	3/8" X 1/2" BOLT		02
36	0521011158	SPRING LOCKNUT		02
37	0521048853	JOINT ASSEMBLY	8	02
38	0502012460	HANDLE LOCK		04
39	0521069513	MINOR GUIDE		02
40	0521069512	GUIDES UPPER		02
41	0503010019	1/2" SPRING WASHER		01
42	0503010920	1/2" X 1.1/2" BOLT		01
43	0581019256	SPACING SLEEVE		04
44	0503019246	BOLT		04
45	0541019090	32,50 X 50 X 32 SLEEVE		02
46	0541011456	NYLON WASHER		04
47	0521048854	VALVE LIMITER COURSE	9	01
48	0503011236	3/8" X 2" BOLT		02
49	0581010859	TRANSPORT LOCK		01
50	0503030285	HAIR PIN		01
51	0541016844	FIXER LOCK		01
52	0521017538	11-1/2" X 5" COUPLING SHAFT		02
53	0503010010	1/4" X 2.1/2" COTTERPIN		02
54	0501011301	1.1/2 UNC 6FPP 2.5/16 NUT		02
55	0521055049	AXLE	10	02
56	0581019280	COUPLING SHAFT		01
57	0501010104	45 X 20 X 4 FLAT WASHER		06



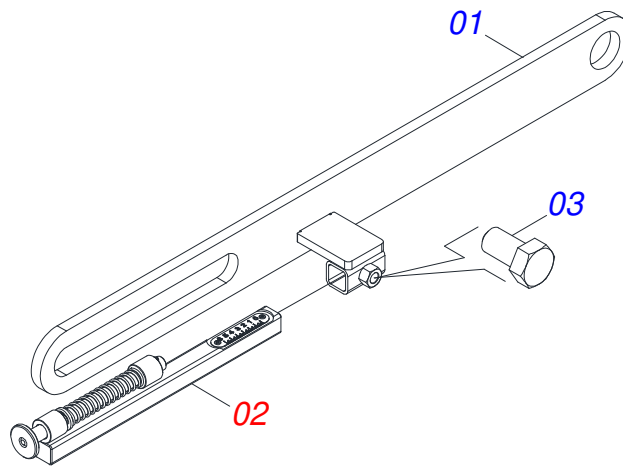
Item	Code	Description	See page	QT
001	0541018673	COUNTERNUT		01
002	0503010002	1800 GREASE FITTING		02
003	0541018672	COUNTERNUT		01
004	0502011197	170 ADJUSTMENT NUT BODY		01
005	0521069508	JACK LEFT		01
006	0521069509	JACK RIGHT		01



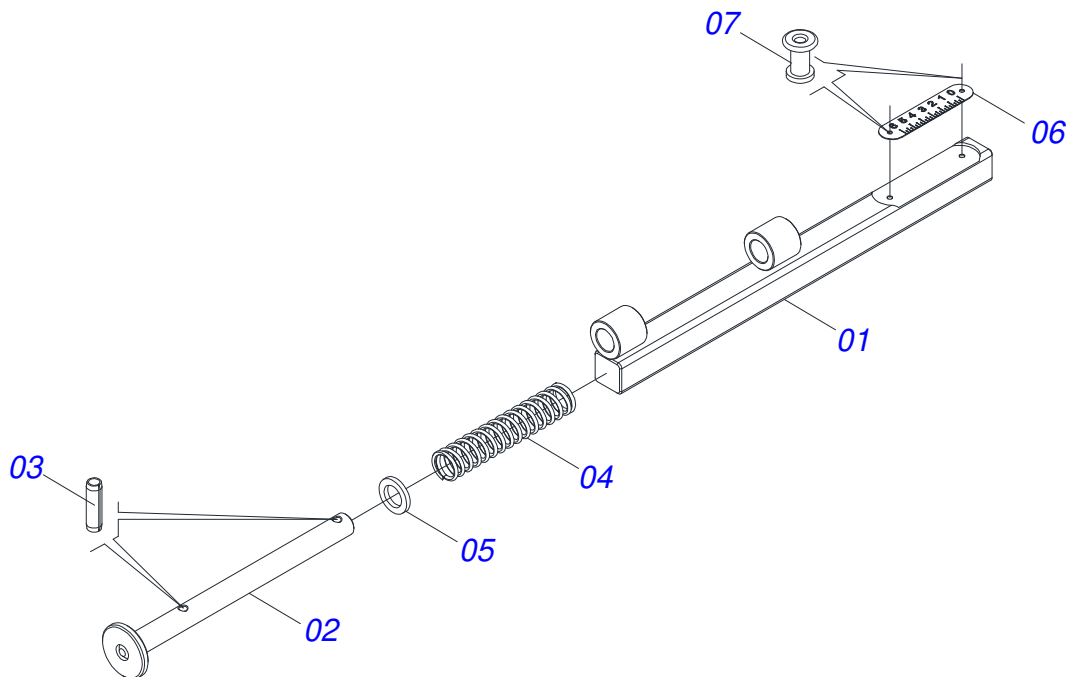
Item	Code	Description	See page	QT
001	0521069510			01
002	0521067899	CRANK 230		01
003	0503010361	SPRING PIN		01
004	0581014604	ARTICULATION SHAFT		01
005	0503010019	1/2" SPRING WASHER		01
006	0503010060	1/2" NUT		01
007	0503037382	Ø25 X 120 PVC HANDLE		01



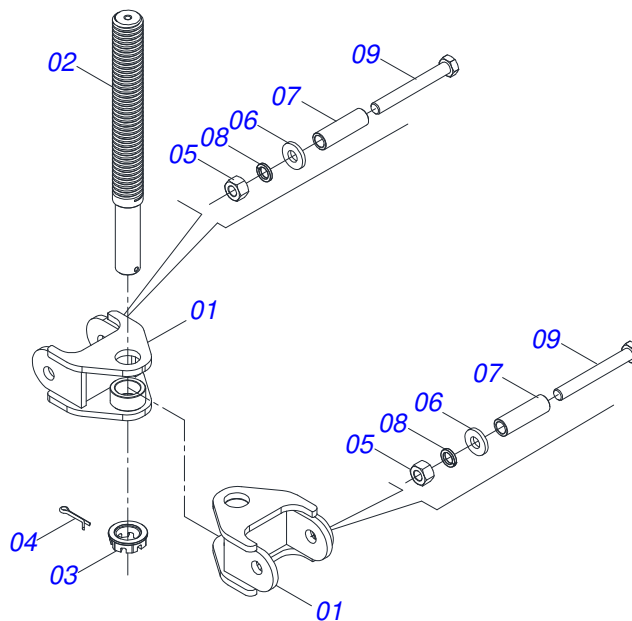
Item	Code	Description	See page	QT
01	0511061588	3.4" X 16" CYLINDER CASE		01
02	0503010042	2-214 N 3006-9B O'RING		01
03	0503010063	1" SELF-ALIGNING NUT		01
04	0503010761	D-1750 SCRAPER RING		01
05	0503030385	CYLINDER PLUG N-002		02
06	0571019711	RING SUPPORT		01
07	0571019710	1.7" X 3.4" PISTON		01
08	0503017935	RING		01
09	0503017936	RING		01
10	0503017938	RING GUIDE		01
11	0503017937	GASKET		01
12	0503017940	8-337 BACK-UP RING		02
13	0503017939	2-337 N 3006-9B O' RING		02
14	0571019709	DETACHABLE COVER		01
15	0521066243	TURNBUCKLE		01
16	0503010002	1800 GREASE FITTING		01
17	0503018144	RING		01
18	0511034218	CYLINDER REPAIR KIT 44,45 X 85,72		01



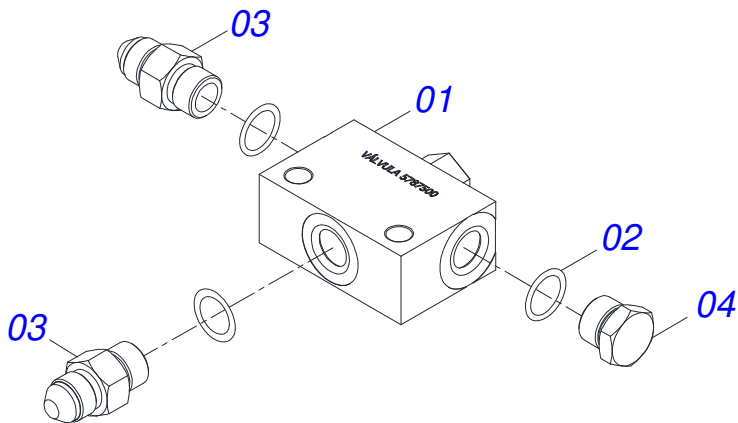
Item	Code	Description	See page	QT
001	0521069518	REGULATOR FIXER		01
002	0511059126	DEPTH CONTROL REGULATOR WITH SCALE	7	01
003	0501018535	1/2 X 1 BOLT		01



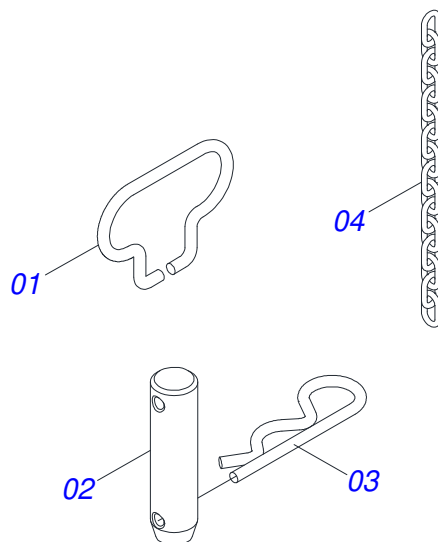
Item	Code	Description	See page	QT
001	0521067320	ADJUSTMENT AXLE		01
002	0521067321	BEATER FRAME		01
003	0503010686	0.2" X 0.7" SPRING PIN		02
004	0503030170	COMPRESSION SPRING		01
005	0581012941	FLAT WASHER		01
006	0503030886	SCALE DOSER		01
007	0503010001	3.2 X 5.5 RIVET		02



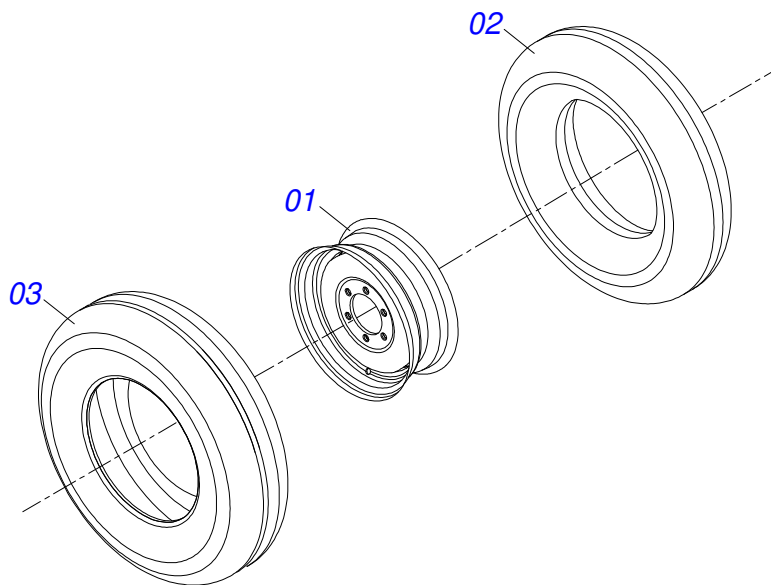
Item	Code	Description	See page	QT
001	0521069511	FRAME ARTICULATION		02
002	0581019314	AXLE FIXER		01
003	0501010888	1.3/4" 2.5/16" CASTLE NUT		01
004	0503010010	1/4" X 2.1/2" COTTERPIN		01
005	0501010059	1.5/8 NUT		02
006	0541010210	FLAT WASHER		02
007	0581019310	SPACING SLEEVE		02
008	0503010012	1" SPRING WASHER		02
009	0501014172	1" X 8" BOLT		02



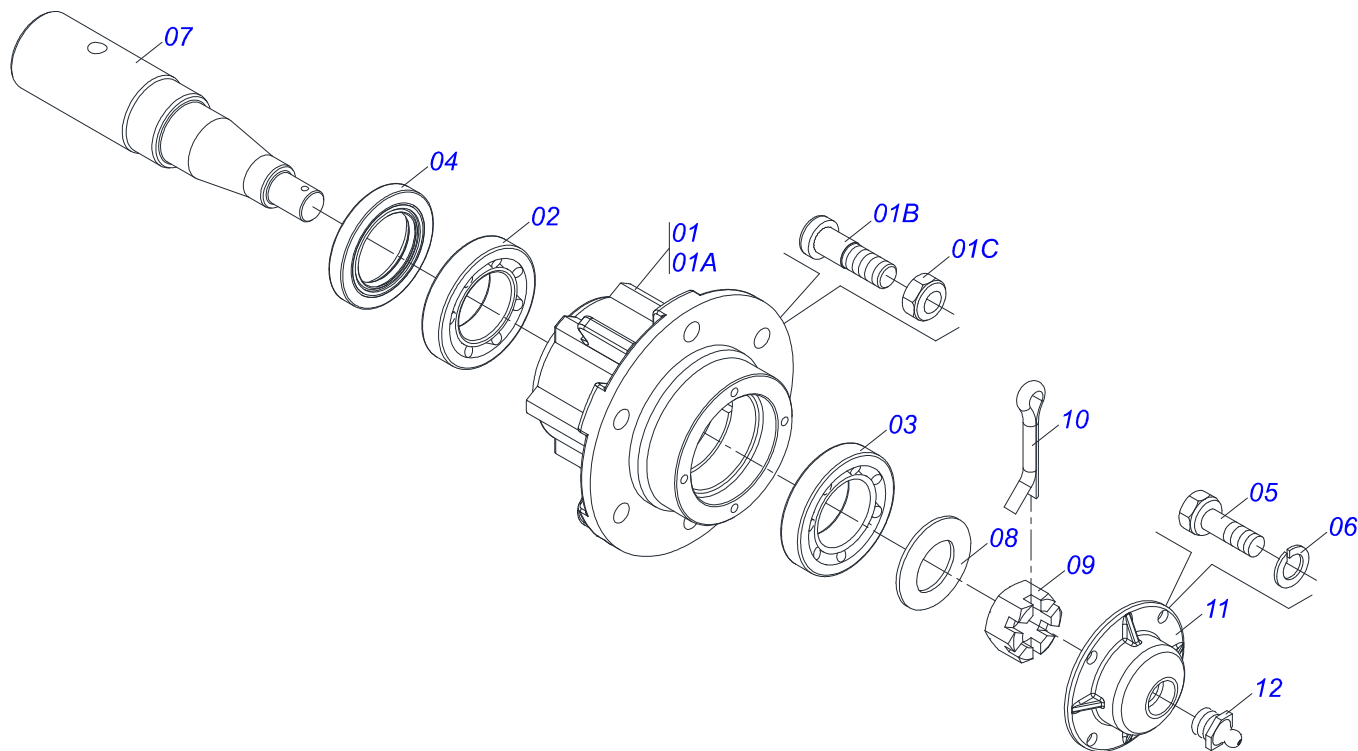
Item	Code	Description	See page	QT
001	0503062610	VALVE LIMITER COURSE		01
002	0503010190	2-114 N 3006-9B O'RING		03
003	0501010617	3/4" NIPPLE		02
004	0521013598	3/4" PLUG		01



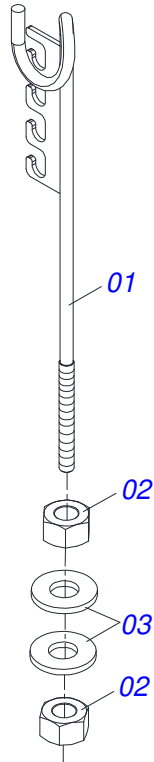
Item	Code	Description	See page	QT
001	0503034755	HANDLE PIN HITCH		01
002	0581019517	AXLE		01
003	0503031035	HAIR PIN		01
004	0503034756	CHAIN 3,00 X 16		01



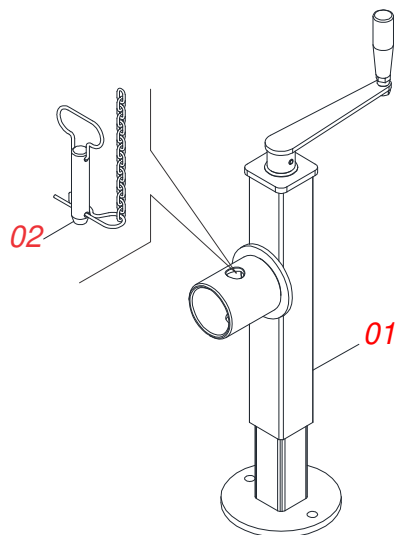
Item	Code	Description	See page	QT
01	0503010893	WHEEL		01
02	0503010033	7.50 X 16 INNER TIRE		01
03	0503010120	CANVAS TIRE		01



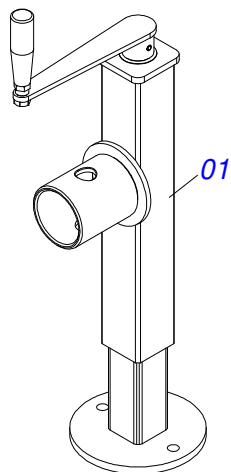
Item	Code	Description	See page	QT
01	0501110728	WHEEL HUB		01
01A	0502011121	CARRYING WHEEL HUB		01
01B	0501010127	9/16" X 1-7/8" LUG BOLT		06
01C	0503010035	9/16" CONIC NUT		06
02	0503012171	32210 ROLLER BEARING		01
03	0503012170	30207 ROLLER BEARING		01
04	0503012928	SEAL		01
05	0503010358	5/16" X 5/8" BOLT		04
06	0503011444	SPRING WASHER		04
07	0541010739	2.5" X 12.2" AXLE		01
08	0501016545	FLAT WASHER		01
09	0503030009	1" CASTLE NUT		01
10	0503010018	5/32 X 1-1/2 COTTERPIN		01
11	0502020591	PROTECCION COVER		01
12	0503010002	1800 GREASE FITTING		01



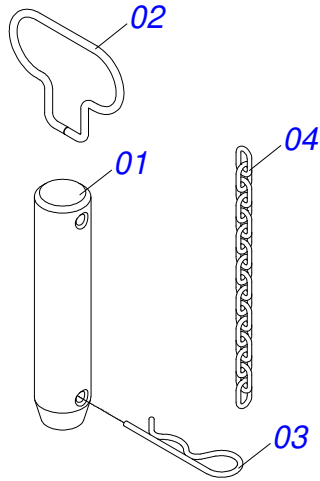
Item	Code	Description	See page	QT
01	0511067334	HOSE SOPPORT ASSY		01
02	0503010014	3/4" NUT		02
03	0501010322	FLAT WASHER		02



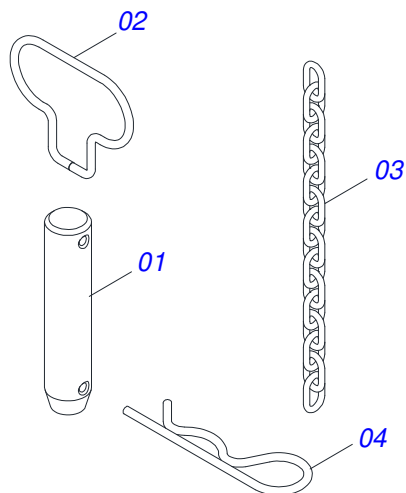
Item	Code	Description	See page	QT
001	0511048088	DRAWBAR JACK	15	01
002	0521055040	AXLE ASSY 22,22 EC 85 E	16	01



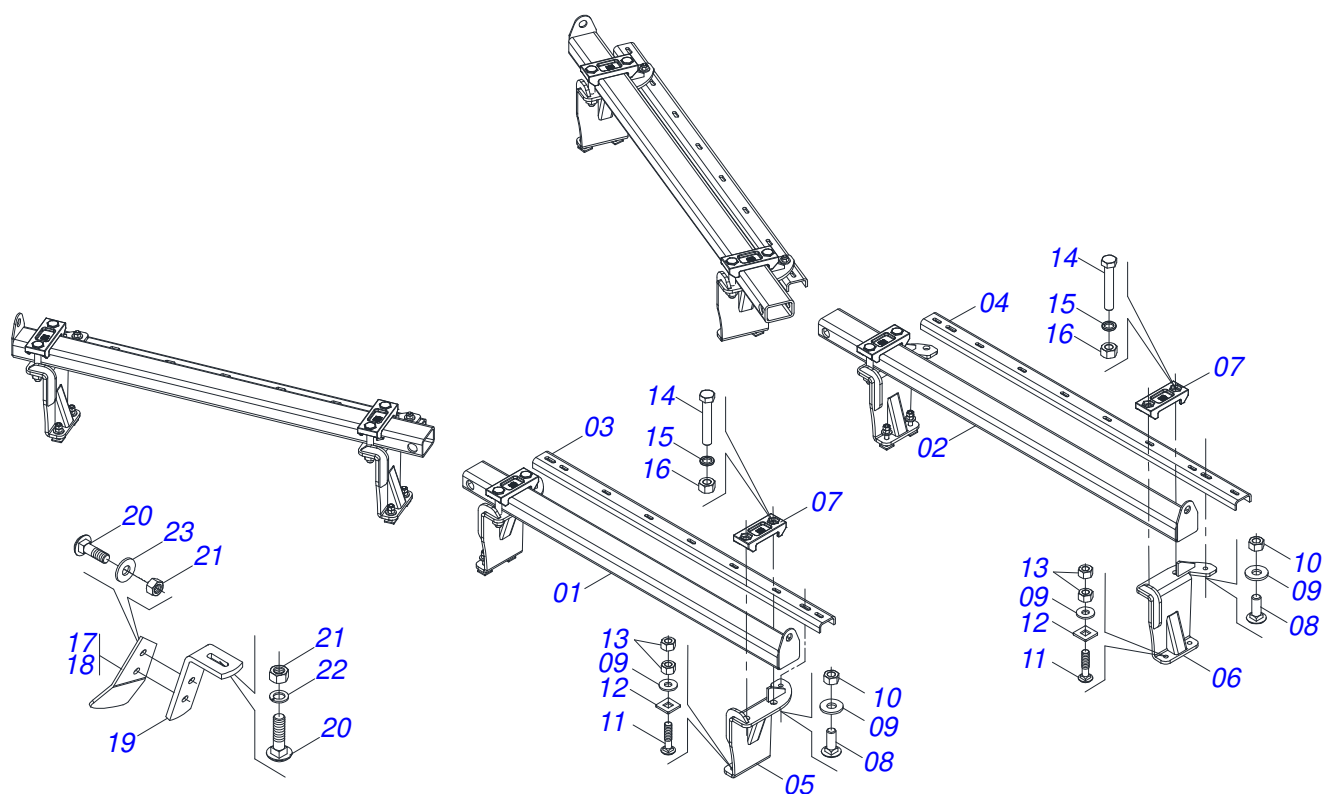
Item	Code	Description	See page	QT
01	0503062227	DRAWBAR JACK		01



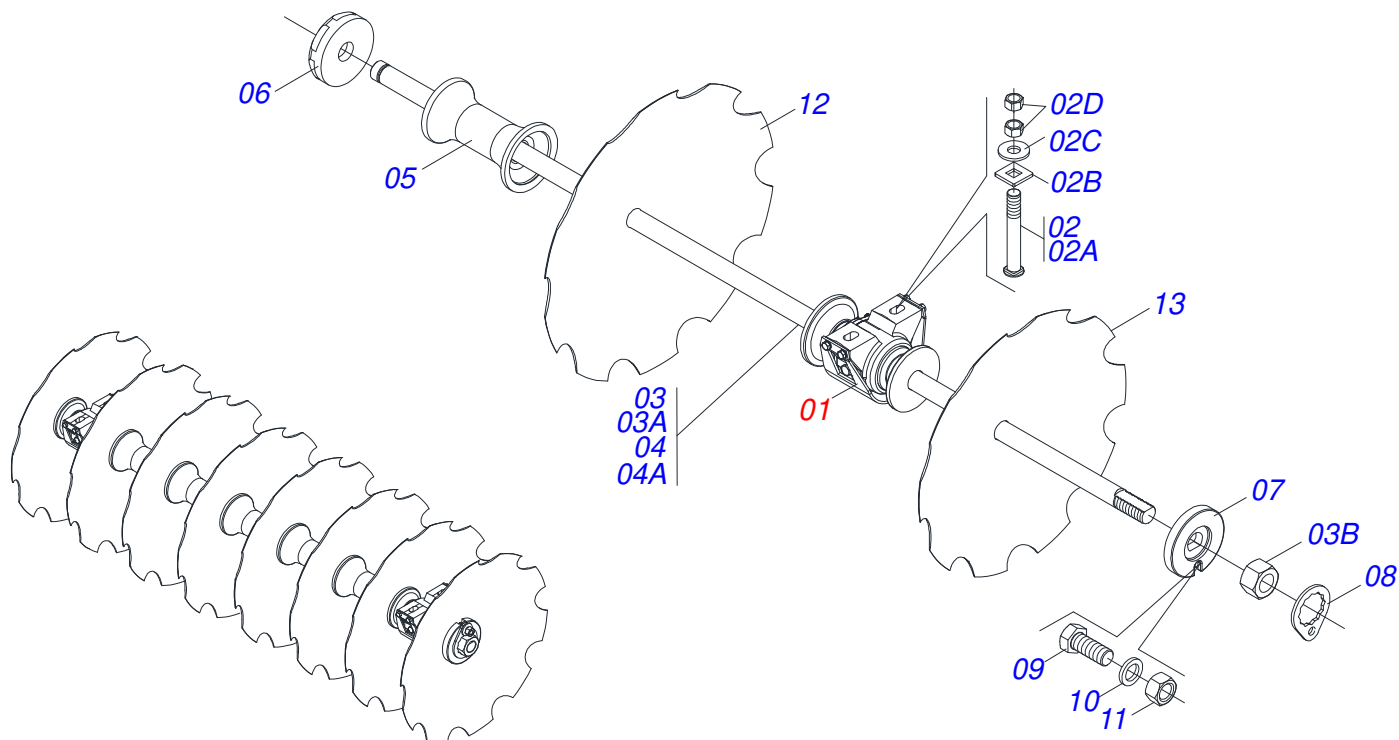
Item	Code	Description	See page	QT
01	0581019516	AXLE		01
02	0503034794	HANDLE PIN HITCH 4MM		01
03	0503030012	HAIR PIN		01
04	0503034756	CHAIN 3,00 X 16		01



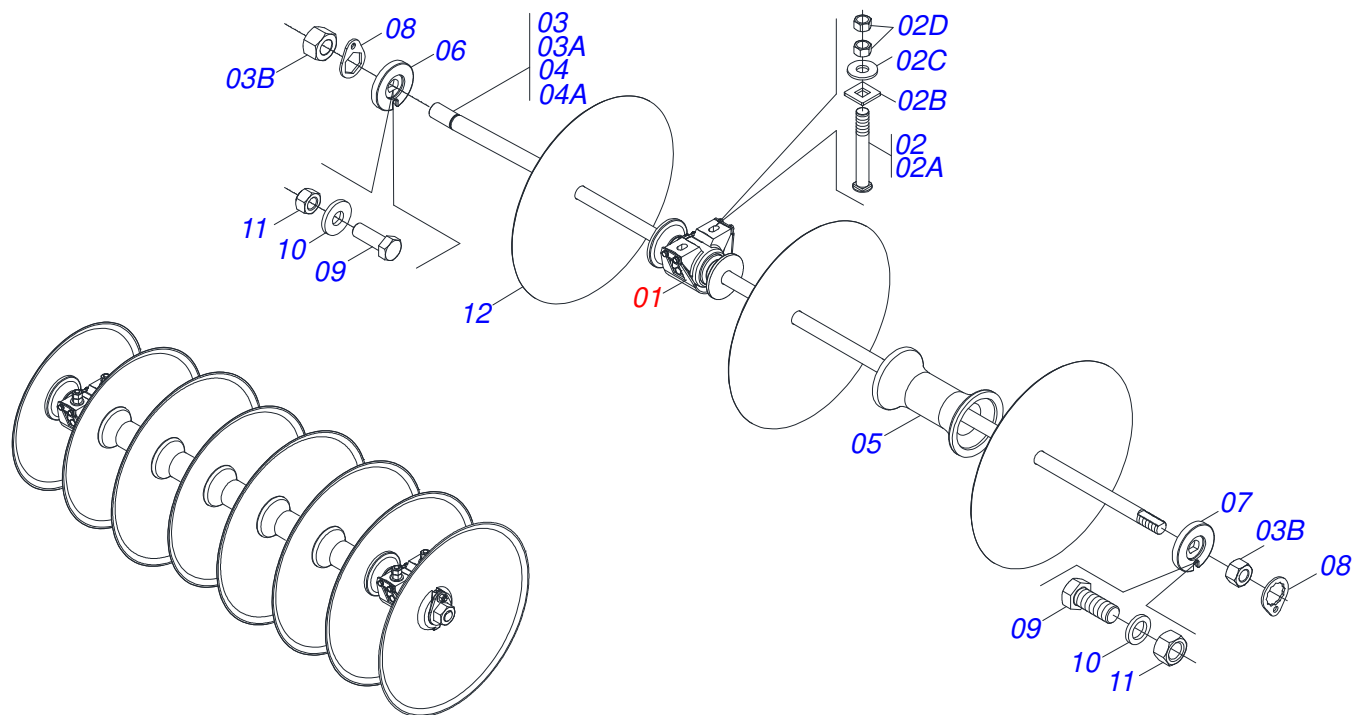
Item	Code	Description	See page	QT
01	0581019024	AXIS 19,05 X 98 X EC 75 FR 6,35		01
02	0503034794	HANDLE PIN HITCH 4MM		01
03	0503034756	CHAIN 3,00 X 16		01
04	0503030012	HAIR PIN		01



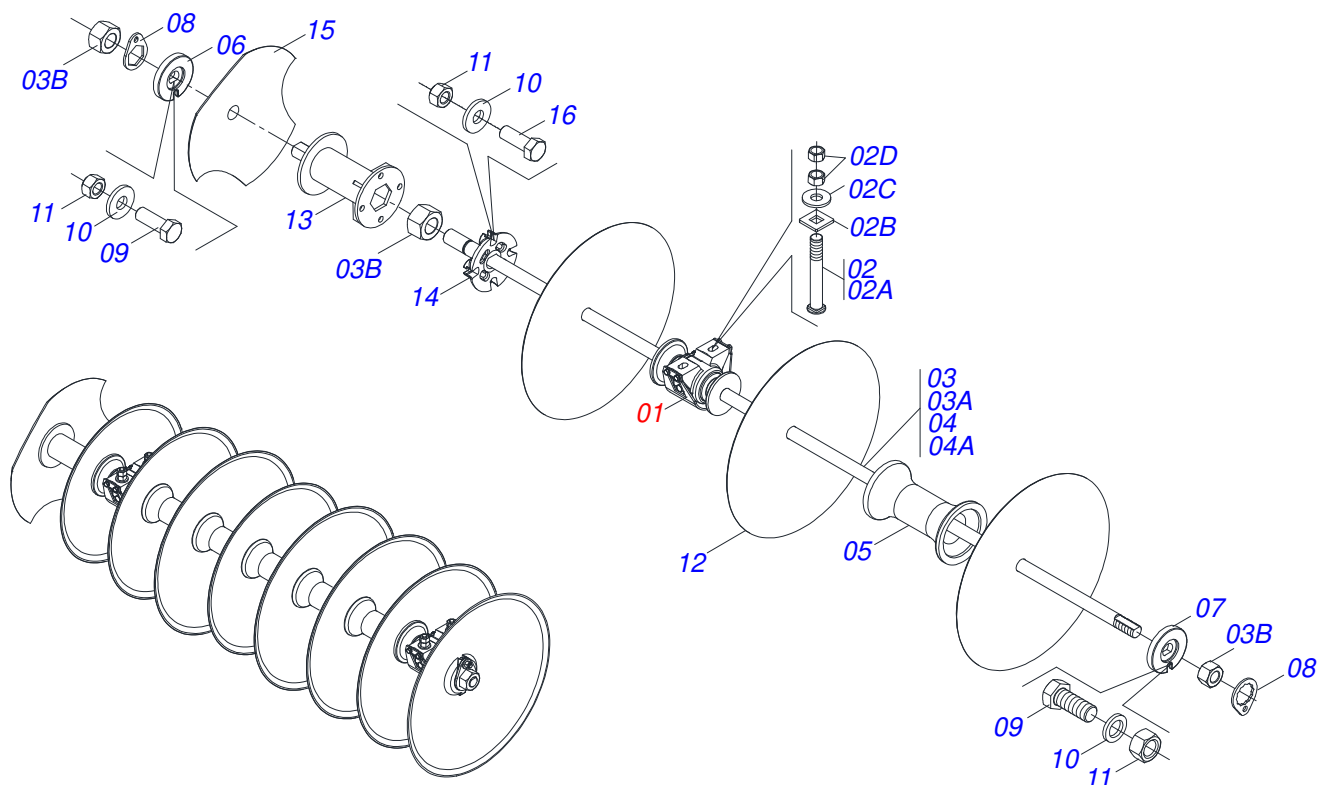
Item	Code	Description	See page	QT
01	0521048875	80 X 120 X 8,80 X1700 TUBE		02
02	0521048874	80X120X8,80X1930 TUBE		02
03	0541013403	1550 BAR FIX SCRAPER		02
04	0541013404	1700 BAR FIX SCRAPER		02
05	0511065266	LEFT FRONT BRACKET REAR RIGHT		02
06	0511065942	RIGHT FRONT BRACKET REAR LEFT		02
07	0502012323	BRACKET FIXER		08
08	0503013842	5/8" UNC X 1-3/4" BOLT		08
09	0501012140	FLAT WASHER		24
10	0503010013	5/8" NUT		08
11	0503015154	5/8" X 2.3/4" BOLT		16
12	0501010947	5/8 NUT LOCK		16
13	0503010013	5/8" NUT		32
14	0501010191	1" X 6" BOLT		16
15	0503010012	1" SPRING WASHER		16
16	0501010059	1.5/8 NUT		16
17	0541015256	SHOVEL SCRAPER		15
18	0541015257	SHOVEL SCRAPER		15
19	0541015258	SCRAPER BODY		30
20	0501010243	1/2" X 1-1/2" BOLT		90
21	0503012682	1/2" BSW NUT		60
22	0503010019	1/2" SPRING WASHER		60
23	0511017302	FLAT WASHER		30



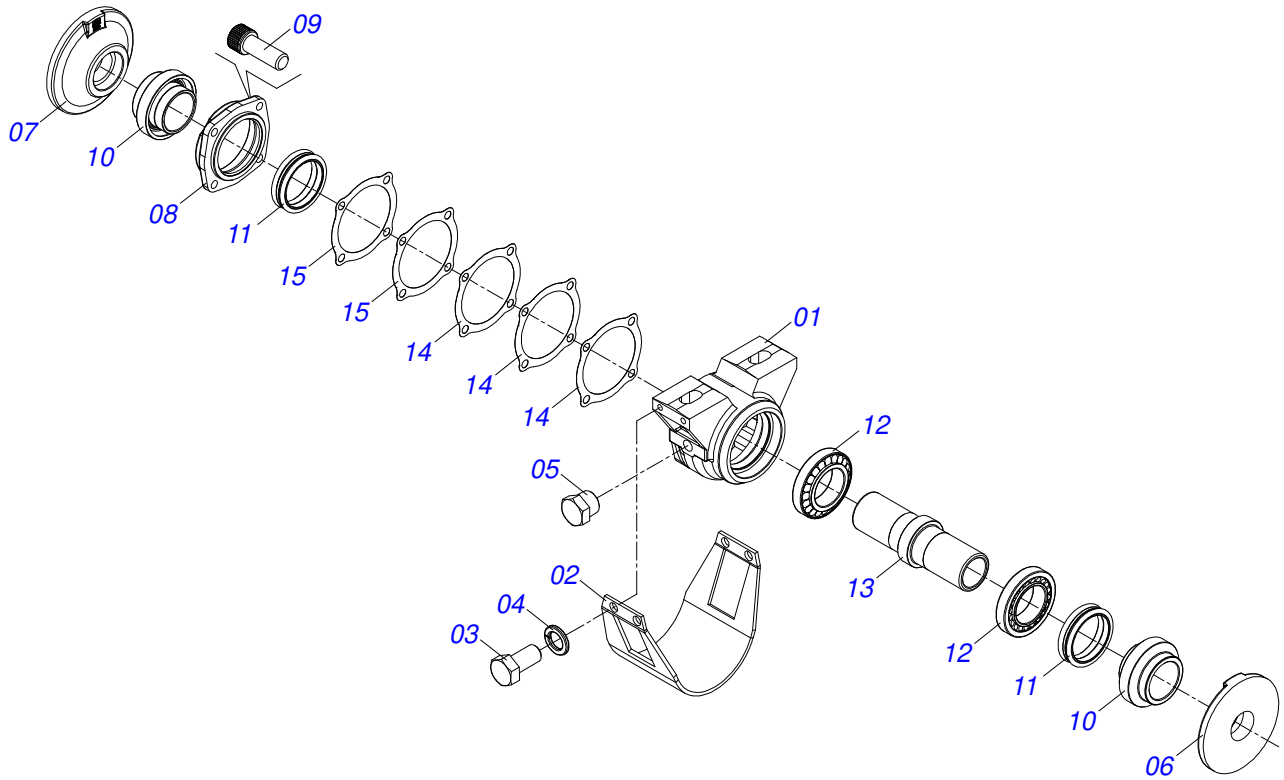
Item	Code	Description	See page	QT
01	0501043029	AGR DM OL 225X 1.1/2 BEARING	22	04
02	0501058802	5/8 UNC X 2.3/4 BOLT ASSY		08
02A	0503015154	5/8" X 2.3/4" BOLT		08
02B	0501010947	5/8 NUT LOCK		08
02C	0501012140	FLAT WASHER		08
02D	0503010013	5/8" NUT		16
03	0501049245	1-1/2" X 1715 AXLE ASSY		02
03A	0511061238	1-1/2" X 1715 AXLE ASSY		02
03B	0501010110	1.1/2" NUT		04
04	0501043837	1-1/2" X 68" AXLE WITH NUTS		02
04A	0511010225	1-1/2" X 68" AXLE		02
05	0502010621	8.8" 1-1/2" SPACER		10
06	0502010619	1.1/2 EXTERNAL AXLE WASHER		02
07	0502010872	1-1/2" INNER AXLE WASHER		02
08	0501018592	1.5/8" NUT LOCK		04
09	0503011267	BOLT 5/8 UNC X 1.1/2 C S G.5 ZN		04
10	0503010027	5/8" SPRING WASHER		04
11	0503010013	5/8" NUT		04
12	0602030419	24" X 4,75" NOTCHED DISC BLADE		16
13	0602030421	24" X 6 NOTCHED DISC		02



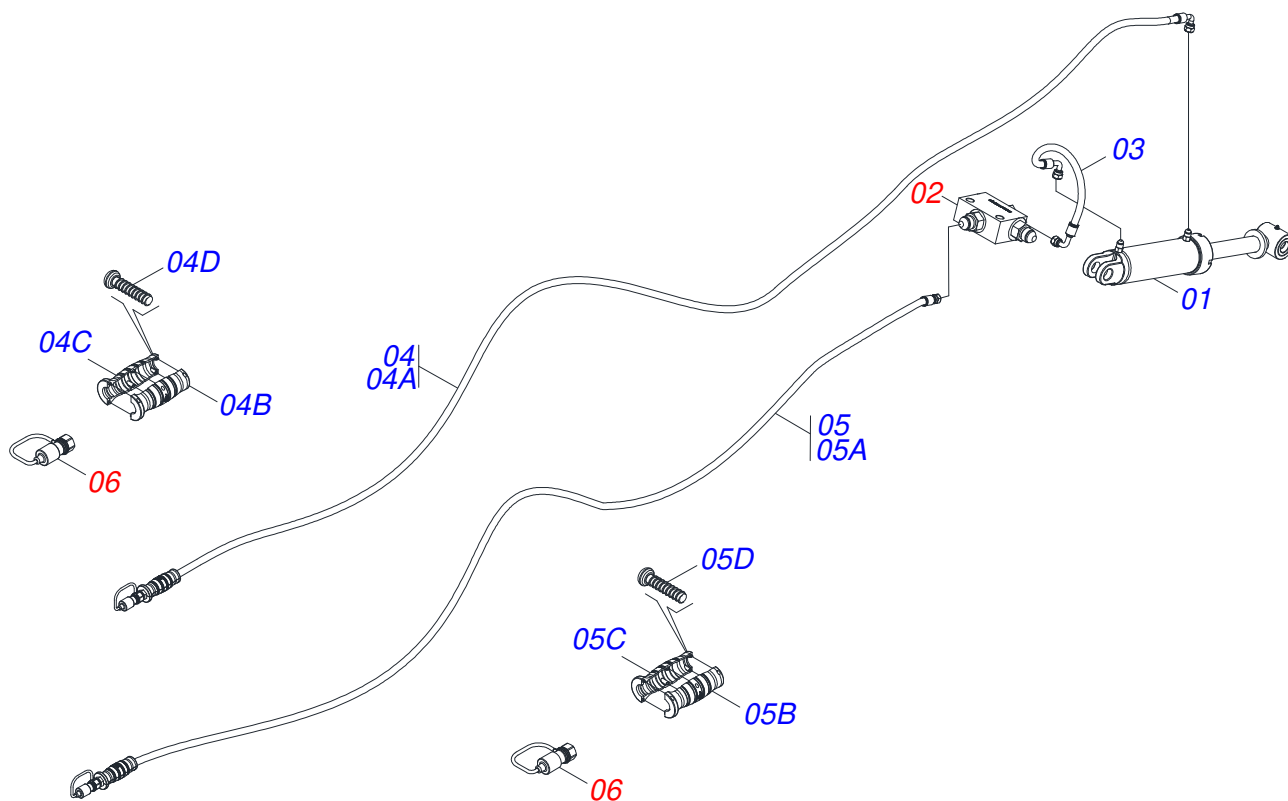
Item	Code	Description	See page	QT
01	0501043029	AGR DM OL 225X 1.1/2 BEARING	22	04
02	0501058802	5/8 UNC X 2.3/4 BOLT ASSY		08
02A	0503015154	5/8" X 2.3/4" BOLT		08
02B	0501010947	5/8 NUT LOCK		08
02C	0501012140	FLAT WASHER		08
02D	0503010013	5/8" NUT		16
03	0501043837	1-1/2" X 68" AXLE WITH NUTS		02
03A	0511010225	1-1/2" X 68" AXLE		02
03B	0501010110	1.1/2" NUT		04
04	0501049245	1-1/2" X 1715 AXLE ASSY		02
04A	0511010225	1-1/2" X 68" AXLE		02
05	0502010621	8.8" 1-1/2" SPACER		10
06	0502010871	1-1/2" EXTERNAL AXLE WASHER		02
07	0502010872	1-1/2" INNER AXLE WASHER		02
08	0501018592	1.5/8" NUT LOCK		04
09	0503011267	BOLT 5/8 UNC X 1.1/2 C S G.5 ZN		04
10	0503010027	5/8" SPRING WASHER		04
11	0503010013	5/8" NUT		04
12	0601031114	24" X 4,75 PLAIN DISC BLADE		16



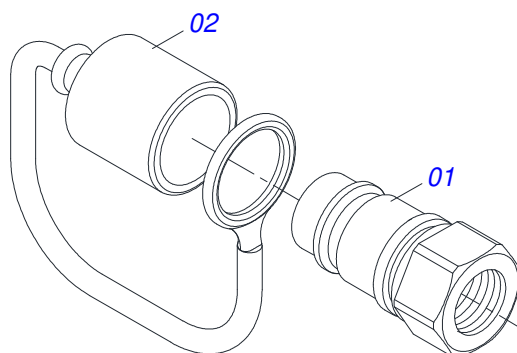
Item	Code	Description	See page	QT
01	0501043029	AGR DM OL 225X 1.1/2 BEARING	22	04
02	0501058802	5/8 UNC X 2.3/4 BOLT ASSY		08
02A	0503015154	5/8" X 2.3/4" BOLT		08
02B	0501010947	5/8 NUT LOCK		08
02C	0501012140	FLAT WASHER		08
02D	0503010013	5/8" NUT		16
03	0501043697	1.1/2" X 1505 AXLE ASSY		00
03A	0511012601	1.1/2" X 1505 AXLE		00
03B	0501010110	1.1/2" NUT		06
04	0501049245	1-1/2" X 1715 AXLE ASSY		01
04A	0511010225	1-1/2" X 68" AXLE		01
05	0502010621	8.8" 1-1/2" SPACER		10
06	0502010871	1-1/2" EXTERNAL AXLE WASHER		02
07	0502010872	1-1/2" INNER AXLE WASHER		02
08	0501018592	1.5/8" NUT LOCK		04
09	0503011267	BOLT 5/8 UNC X 1.1/2 C S G.5 ZN		04
10	0503010027	5/8" SPRING WASHER		12
11	0503010013	5/8" NUT		12
12	0601031114	24" X 4,75 PLAIN DISC BLADE		16
13	0521062027	186 SPACER		02
14	0502012376	1-1/2" EXTERNAL AXLE LOCK		02
15	0602029388	22" X 4,75 NOTCHED DISC BLADE		02
16	0503010232	5/8" X 1.3/4" BOLT		08



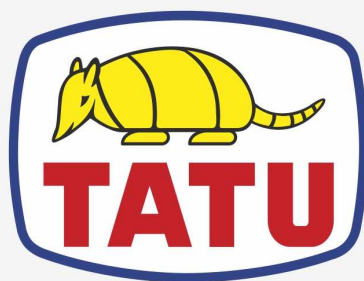
Item	Code	Description	See page	QT
01	0502010717	HOUSING DM		01
02	0511010829	BEARING GUARD		01
03	0503011334	BOLT 3/8 UNC X 3/4 CS G.5 ZN		04
04	0503011443	3/8" SPRING WASHER		04
05	0503010856	OIL PLUG		02
06	0502010715	INNER FLANGE		01
07	0502010694	OUTER FLANGE		01
08	0502020424	HOUSING CAP		01
09	0503010134	3/8" X 1" BOLT		04
10	0502010731	SEAL RETAINER		02
11	0503030026	SEAL LP JB-253		02
12	0503010031	368A/362A ROLLER BEARING		02
13	0502040444	AXLE		01
14	0503030013	4.4" X 3.5" X 0.004" JOINT		03
15	0503030684	4.4" X 3.5" X 0.004" JOINT		02



Item	Code	Description	See page	QT
01	0521045737	HYDRAULIC CILINDER 44,45 X 85,72 X 515 X 205	5	01
02	0521048854	VALVE LIMITER COURSE	9	01
03	0501080760	3/8" X 500 TC-TC HOSE		01
04	0521054828	HOSE		01
04A	0501082221	HOSE		01
04B	0503034492	HYDRAULIC HOSE GRIP (BLACK)		01
04C	0503034494	HYDRAULIC HOSE GRIP (BLUE)		01
04D	0503018952	PLASTIC BOLT		06
05	0521054948	HOSE		01
05A	0501080528	3/8 X 3700 TR-TM HOSE		01
05B	0503034492	HYDRAULIC HOSE GRIP (BLACK)		01
05C	0503034495	HYDRAULIC HOSE GRIP (RED)		01
05D	0503018952	PLASTIC BOLT		06
06	0501053834	MALE QUICK COUPLER WITH CAP - 1/2 NPT	24	02



Item	Code	Description	See page	QT
01	0503011627	MALE QUICK COUPLER AGR 1/2 NPT		01
02	0503011882	MALE QUICK COUPLER CAP		01



MARCHESAN

Technical Publications | Elaboration and Revision

MARINA PEREZ NIZA

www.marchesan.com.br

