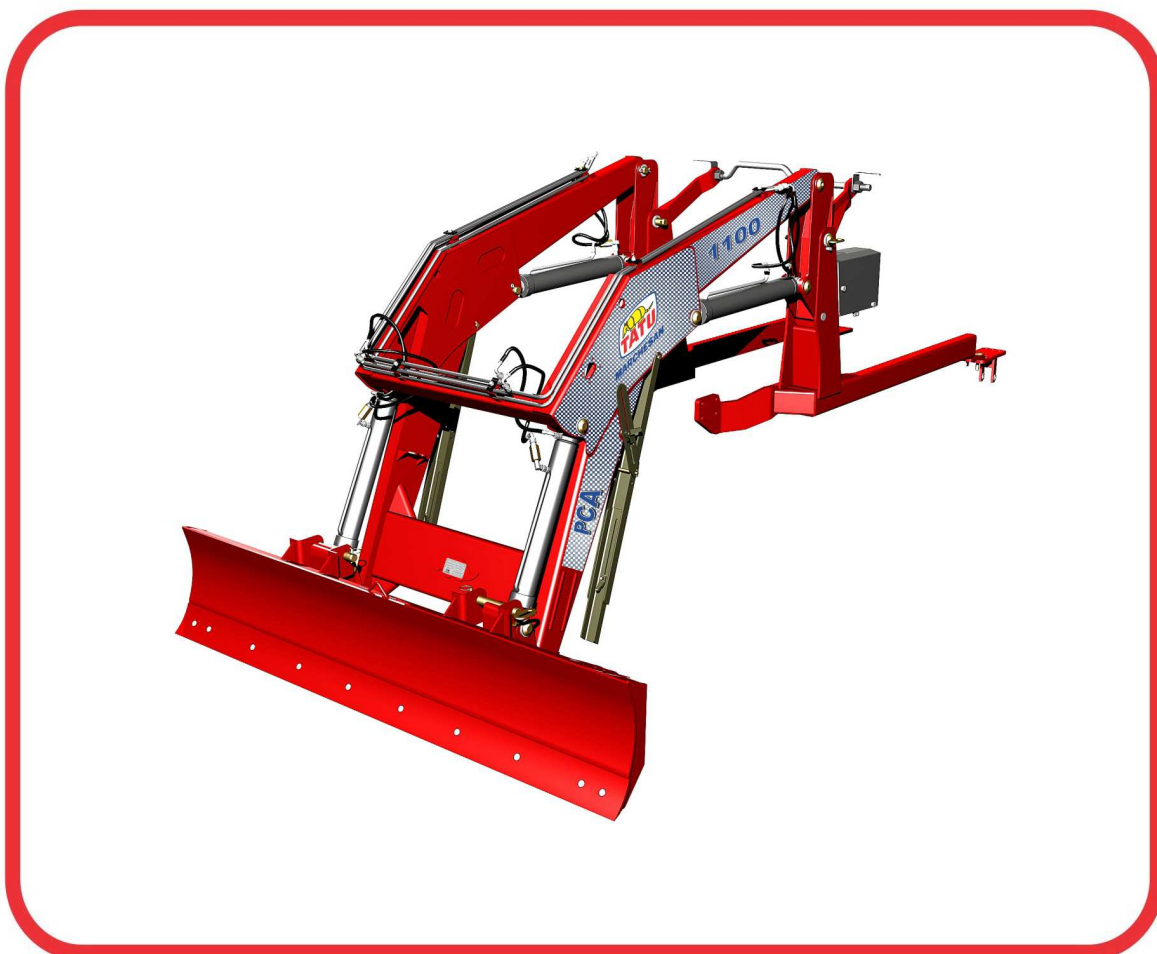


PARTS CATALOG

PCA - AGRICULTURAL FRONT LOADER

PCA 1100 MF 4297/4299 - 4 BT SC

Code: 0501092433



Series: S-0717

Rev.: 00

Date Rev.: ABRIL/2019

**ORIGINAL PARTS
TATU**



PRODUCTS

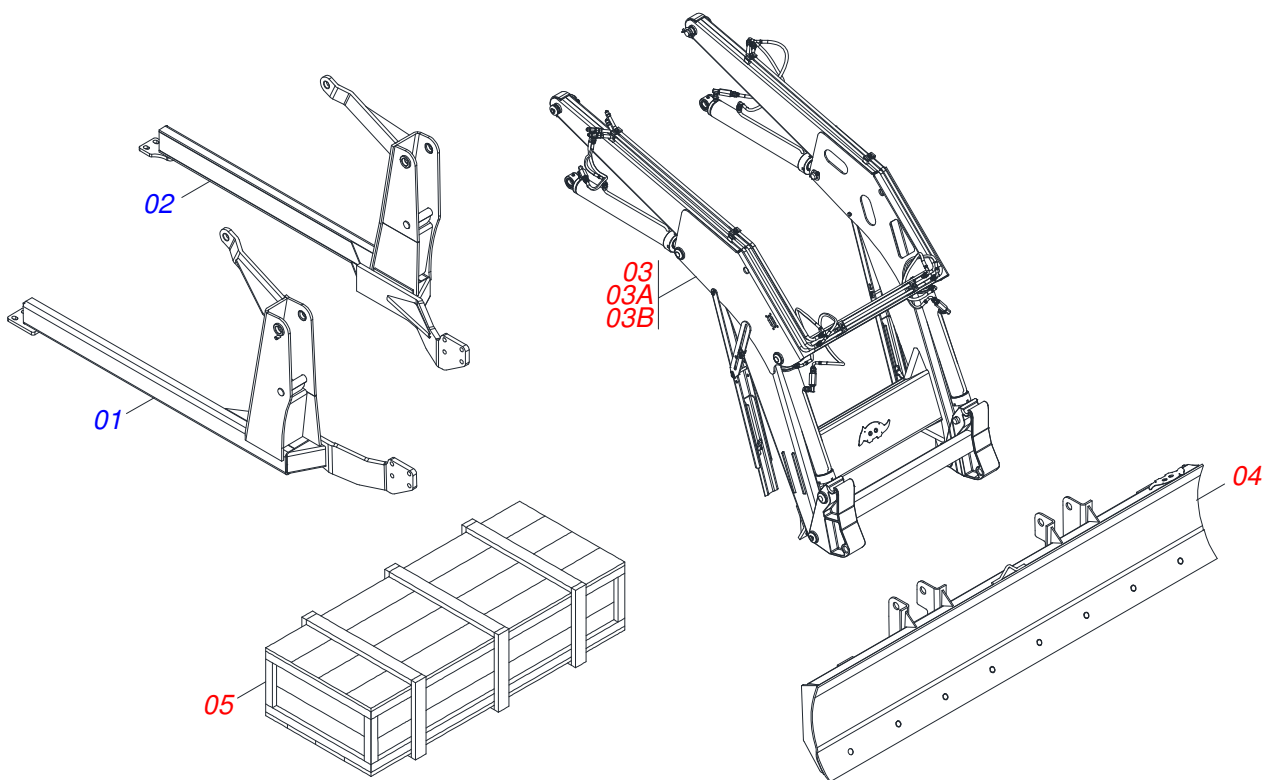
Code	Description
0106111175	PCA 1100 MF 4297/4299 - 4 BT SC

ATTENTION: **IMPORTANT**

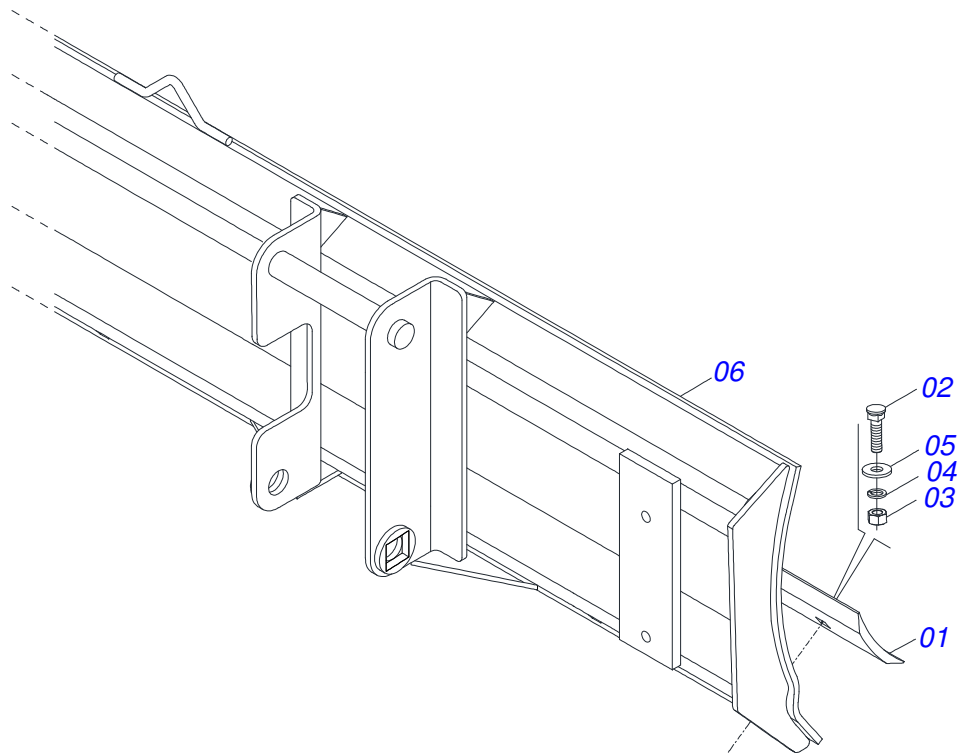
MARCHESAN S/A RESERVES THE RIGHT AT ANY TIME TO MAKE IMPROVEMENTS IN THE DESIGN, MATERIAL OR SPECIFICATIONS OF MACHINERY, EQUIPMENT OR PARTS WITHOUT THEREBY BECOMING LIABLE TO MAKE SIMILAR CHANGES IN MACHINERY, EQUIPMENT OR PARTS PREVIOUSLY SOLD.

INDEX

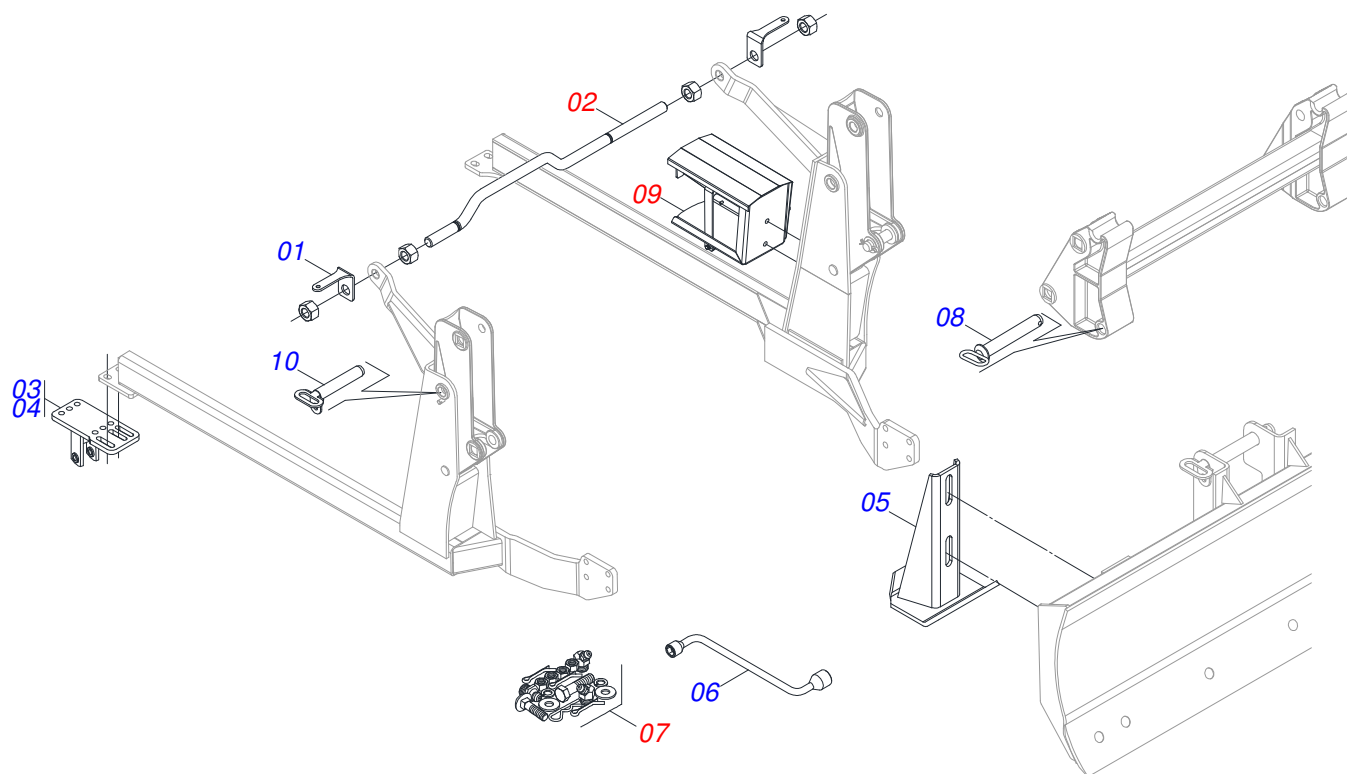
0106111175	PCA 1100 MF 4297/4299 - 4 BT SC	1
0511045185	2600MM DOZER BLADE ASSY	2
0511025341	BOX WITH COMPONENTS	3
0521046369	1.1/4 NC X 1000 ROD	4
0521046657	BATTERY SUPPORT	5
0501038034	PACKAGED PARTS	6
0909095206	MOVEL SUPPORT ASSEMBLY	7
0909095207	HYDRAULIC CIRCUIT SUPPORT MOVEL	8



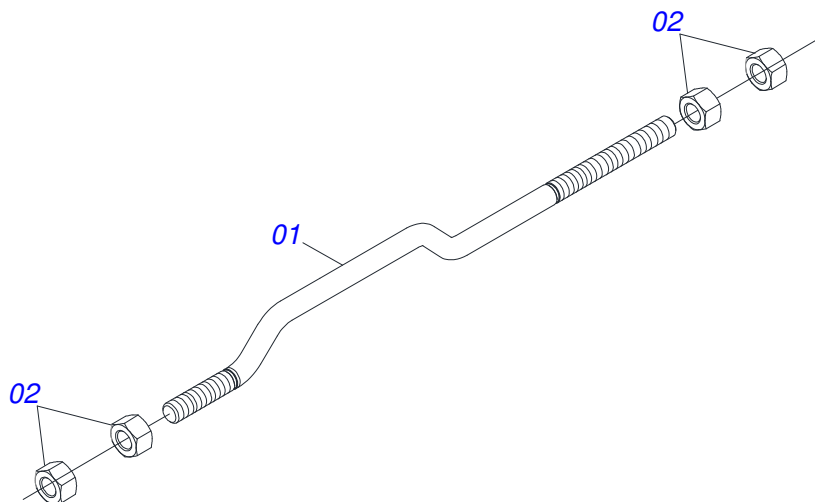
Item	Code	Description	QT
001	0521061692	RIGHT FRAME	01
002	0521061691	LEFT FRAME	01
003	0511043201	MOBILE SUPPORT ASSY	01
003A	0909095206	MOVEL SUPPORT ASSEMBLY	01
003B	0909095207	HYDRAULIC CIRCUIT SUPPORT MOVEL	01
004	0511045185	2600MM DOZER BLADE ASSY	01
005	0511025341	BOX WITH COMPONENTS	01



Item	Code	Description	QT
001	0622360011	2600 SCRAPER REVERSIBLE	01
002	0501012240	5/8" X 2-1/2" BOLT	08
003	0503010013	5/8" NUT	08
004	0503011445	SPRING WASHER	08
005	0501012140	FLAT WASHER	08
006	0511067600	2600 MM DOZER BLADE	01

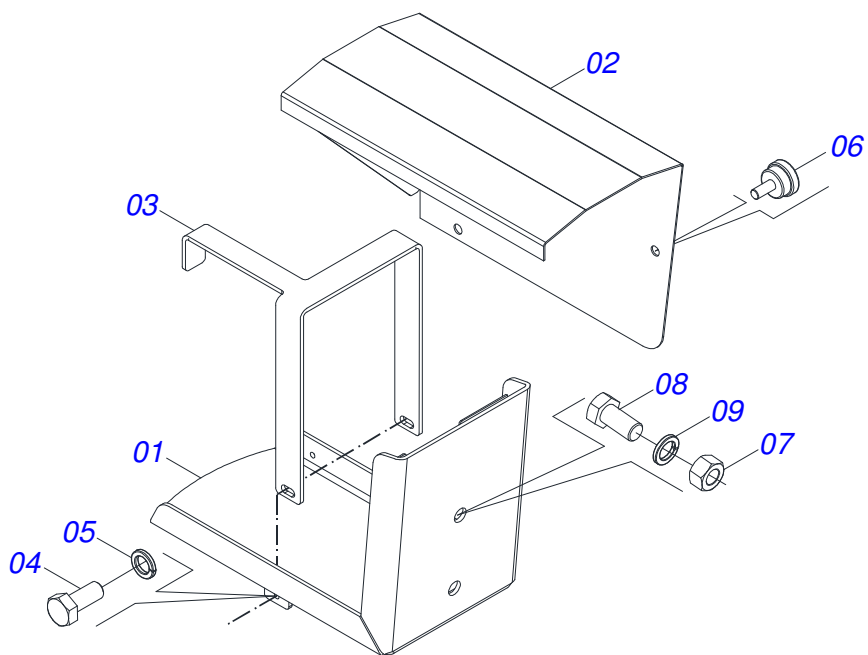


Item	Code	Description	QT
01	0561010051	HEADLIGHT SUPPORT - PCA MF 291/4 ADV 2008	02
02	0521046369	1.1/4 NC X 1000 ROD	01
03	0511069461	RIGHT FRAME BRACKET - MF 283-4	01
04	0511069462	LEFT FRAME MOUNTING BRACKET PD MF 283-4 TQA	01
05	0501063411	ESTABILIZER BRACKET	02
06	0501068213	5/8" WRENCH DOUBLE	01
07	0501038034	PACKAGED PARTS	01
08	0521066515	37,20 X 240 ARTICULATION SHAFT WITH HANDLE	02
09	0521046657	BATTERY SUPPORT	01
10	0521061681	SUPPORT FIXER AXLE	02

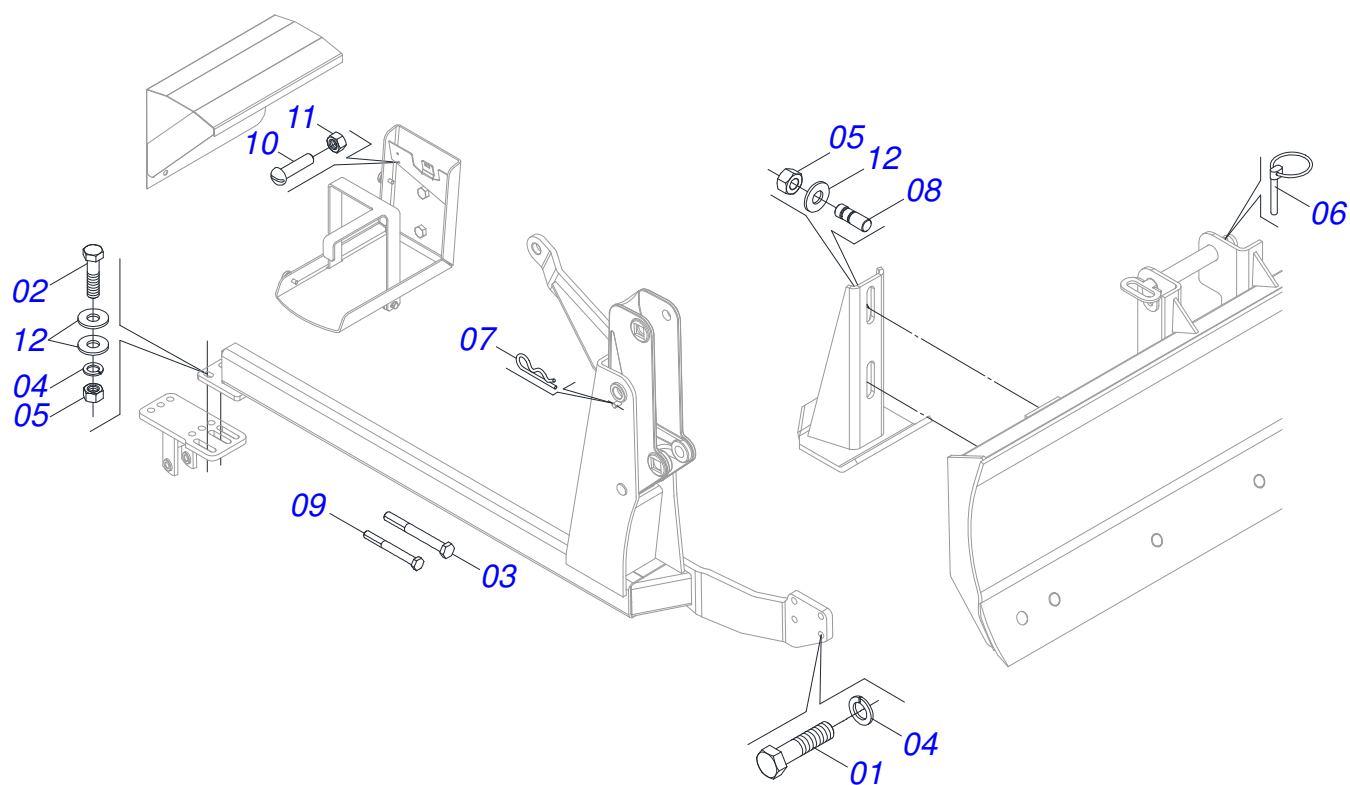


Item	Code	Description	QT
001	0581011689	1.1/4" X 1000 ROD	01
002	0501010087	1.1/4" NUT	04

BATTERY SUPPORT

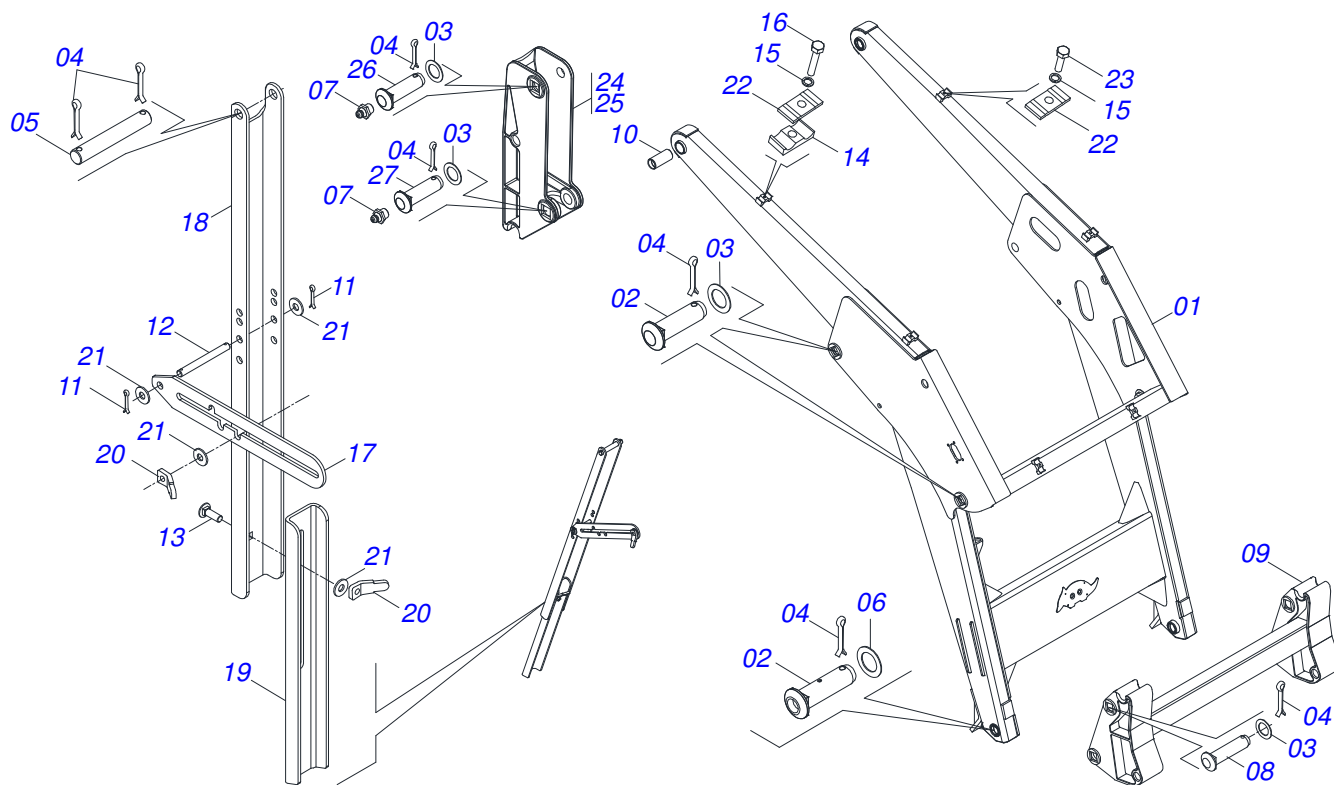


Item	Code	Description	QT
001	0521061679	BATTERY SUPPORT	01
002	0521061665	BATTERY COVER	01
003	0581011688	BATTERY FIXER SUPPORT	01
004	0503016506	5/16 UNC X 3/4 C S G.5 ZN BOLT	02
005	0503010179	SPRING WASHER	02
006	0503010386	CABLE	02
007	0503010013	5/8" NUT	02
008	0503010962	5/8" X 1-1/4" BOLT	02
009	0503010027	SPRING WASHER	02

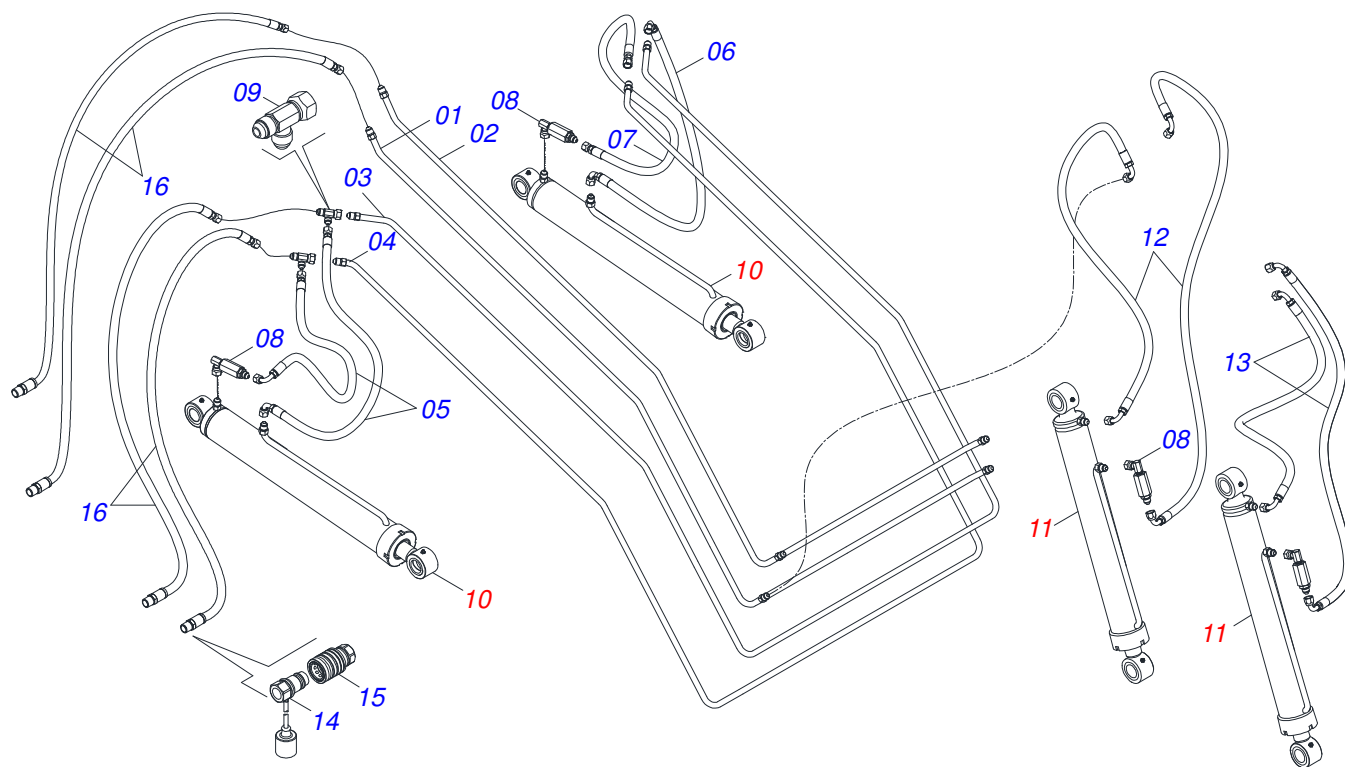


Item	Code	Description	QT
01	0503013390	3/4" UNC BOLT	08
02	0501010500	3/4"X3"BOLT	04
03	0503010201	M10 X 1,5 X 120 BOLT	02
04	0503010023	SPRING WASHER	12
05	0503010014	3/4" NUT	08
06	0503030430	7/16 X 2" PIN LOCK	02
07	0503030012	HAIR PIN	02
08	0561016756	3/4 UNC X 3/4 UNC X 56 PRISONER	04
09	0503013793	M10 X 1,5 X 95 BOLT	02
10	0503010803	3/16" X 3/4" BOLT	01
11	0503010667	3/16" NUT	01
12	0501010322	FLAT WASHER	12

MOVEL SUPPORT ASSEMBLY



Item	Code	Description	QT
01	0511066050	MOBILE SUPPORT	01
02	0521012868	1.4" X 5" PIVOT SHAFT	04
03	0511019685	FLAT WASHER	06
04	0503010534	3/8 X 2-1/2 COTTERPIN	14
05	0511013598	3/4" X 4.7" COUPLING SHAFT	02
06	0511019685	FLAT WASHER	02
07	0503010002	1800 GREASE FITTING	06
08	0521012869	COUPLING SHAFT	02
09	0501069939	PIVOT SUPPORT	01
10	0501110286	SLEEVE	04
11	0503010071	3/16" X 1" COTTERPIN	08
12	0521012823	COUPLING SHAFT	02
13	0503014378	1/2" X 1-1/2" BOLT	02
14	0502010477	UPPER CLIP	04
15	0503010180	7/16" SPRING WASHER	06
16	0503012555	7/16" X 2" BOLT	04
17	0511019634	CONTROL LOCK	02
18	0561016401	PLOUGH SUPPORT BODY	02
19	0561016619	COMPLEMENTON REST	02
20	0561016329	LATCH HOLDER REST PCA	04
21	0511017302	FLAT WASHER	08
22	0531011180	UPPER BODY CLIP	06
23	0503011102	PARAFUSO 7/16 UNC X 1.1/4 C S G.5	02
24	0502012472	MOBILE TOWER	01
25	0502012473	LEFT MOBILE TOWER	01
26	0521012870	1.46" X 6.18" PIVOT SHAFT	02
27	0521012869	COUPLING SHAFT	02



Item	Code	Description	QT
01	0501069857	RIGHT RIGHT OIL TUBE	01
02	0501069858	LH RIGHT OIL TUBE	01
03	0521061821	OUTER DISTRIBUTOR TUBE OIL	01
04	0521061820	INNER DISTRIBUTOR TUBE OIL	01
05	0501080150	TR-TC HOSE ASSY	02
06	0501080766	3/8" X 27.56" TC-TC HOSE	01
07	0501080105	TR-TR HOSE ASSY	01
08	0511057772	SECURITY VALVE SET	04
09	0503011968	T ADAPTOR WITH GIRAT	02
10	0511057974	44,45 X 85,72 X 870 X 593 HYDRAULIC CYLINDER	02
11	0511057973	HIDRAULIC CYLINDER 44,45 X 76,20 X 820 X 551	02
12	0501080688	3/8" X 25" TC-TC 90G HOSE	02
13	0501080777	LH 3/8" X 25.9" TC-TC HOSE	02
14	0501053834	MALE QUICK COUPLING AGRICULTURAL WITH COVER - 1/2 NPT	04
15	0501053835	FEMALE QUICK COUPLER	04
16	0501081124	HOSE 3/8" X 4200-TM TR	04

ANNOTATIONS

**ORIGINAL PARTS
TATU**





MARCHESAN IMPLEMENTOS E MÁQUINAS AGRÍCOLAS TATU S.A.

AV. Marchesan, 1979 - Post office box, 131 - CEP 15994-900 - Matão - SP - Brazil

Phone +55 16.3382-8282

(FAX Parts) + 55 16.3382. 8297 - (Export) + 55 16.3382.1003

e.mail: tatu@marchesan.com.br www.marchesan.com.br

Technical Publications: Elaboration

MARINA PEREZ NIZA

Technical Publications: Revision

MARINA PEREZ NIZA

Contact Catálogo:

E-mail = jgaspari@marchesan.com.br

**ORIGINAL PARTS
TATU**

