

PARTS CATALOGUE



PCA - AGRICULTURAL FRONT LOADER

Code:

0501092432

Product:

PCA 1100 JD 6130/6145/7515 BT SC



Series:

S-0511

Revision:

00

Date Revision:

DEZEMBRO/2019



PRODUCTS

Code	Description
0106111265	PCA 1100 JD6130/6145/7515 BT SC

ATTENTION: IMPORTANT

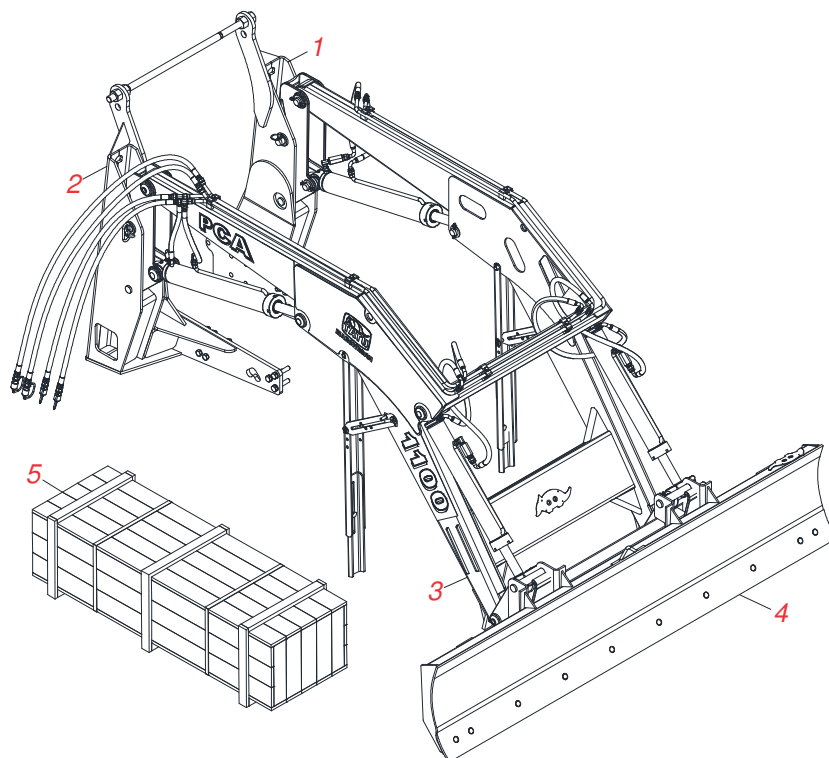
Marchesan S.A. reserves the right to improve and / or modify the technical features of its products, without obligation to do the same with those products already sold and without prior knowledge of the dealer or the consumer.



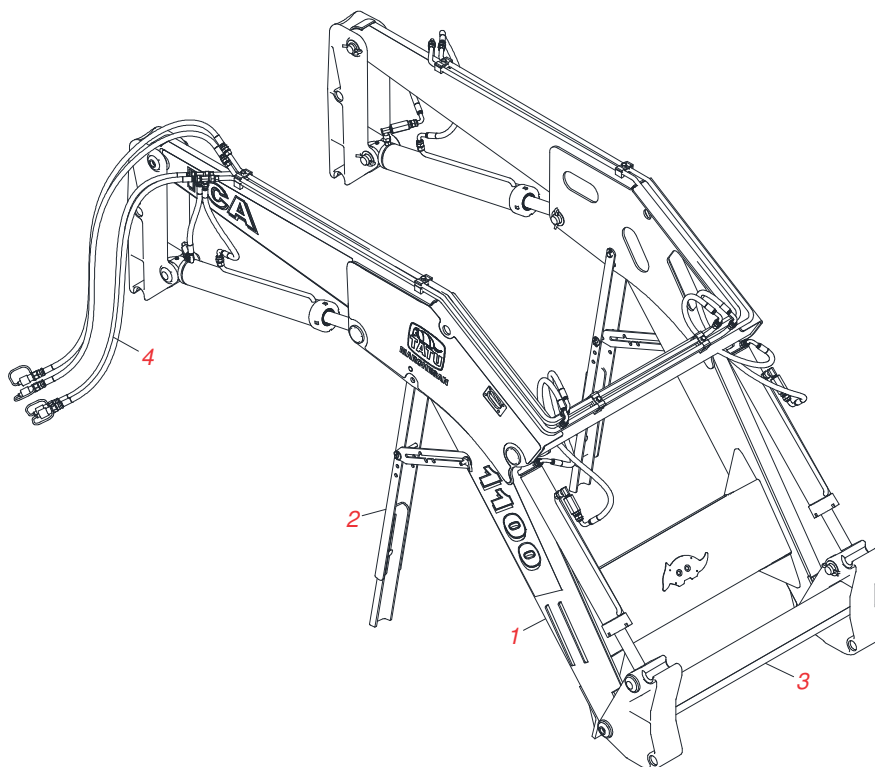
MARCHESAN

INDEX

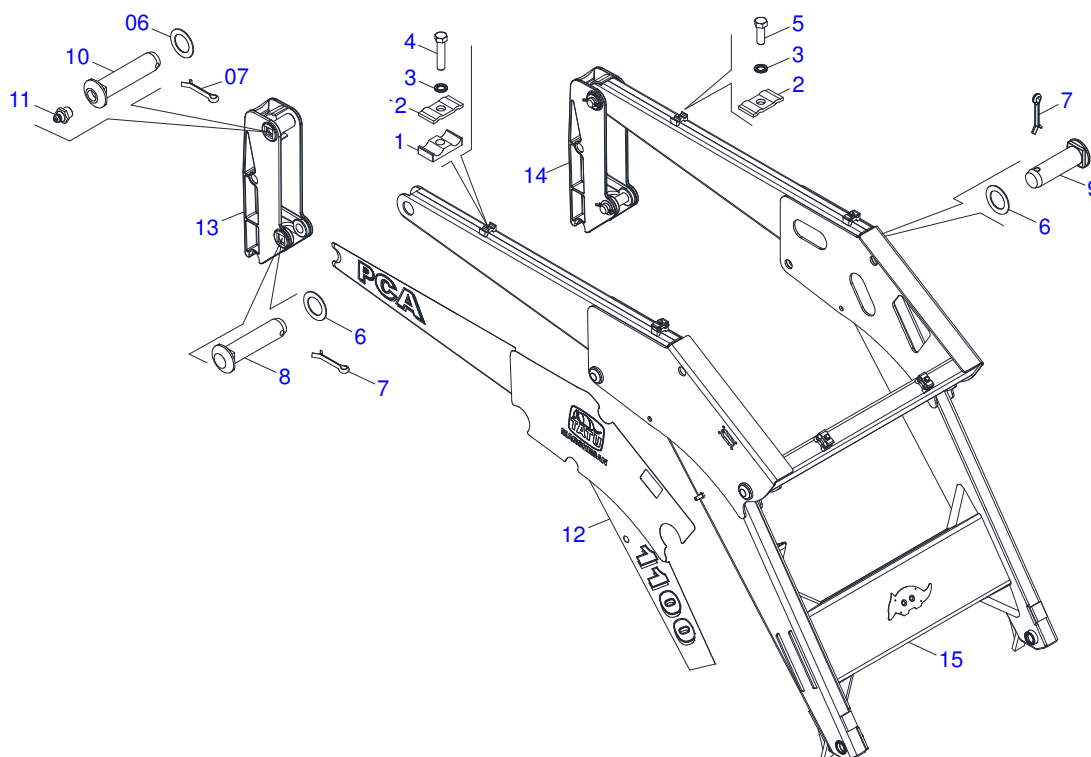
0106111265	PCA 1100 JD6130/6145/7515 BT SC	1
0511043201	MOBILE SUPPORT ASSY	2
0909095434	MOBILE SUPPORT / TOWER	3
0909092667	ADJUSTABLE REST OF MOVABLE SUPPORT	4
0909095428	ARTICULATION	5
0909095433	HYDRAULIC SYSTEM	6
0511057974	44,45 X 85,72 X 870 X 593 HYDRAULIC CYLINDER	7
0511057973	HIDRAULIC CYLINDER 44,45 X 76,20 X 820 X 551	8
0511045185	2600MM DOZER BLADE ASSY	9
0511025914	BOX WITH COMPONENTS	10
0501043212	ROD 1.1/4" NC X 3.818" ASSY	11
0501038386	PACKED PARTS	12



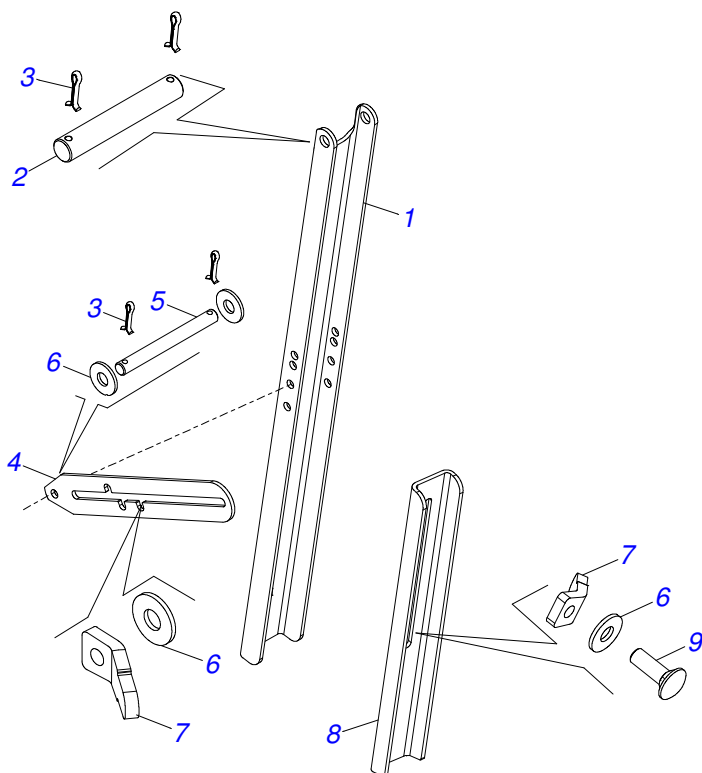
Item	Code	Description	See page	QT
001	0511067288	LEFT FRAME		01
002	0511067287	LEFT FRAME		01
003	0511043201	MOBILE SUPPORT ASSY	2	01
004	0511045185	2600MM DOZER BLADE ASSY	9	01
005	0511025914	BOX WITH COMPONENTS	10	01



Item	Code	Description	See page	QT
01	0909095434	MOBILE SUPPORT / TOWER	3	01
02	0909092667	ADJUSTABLE REST OF MOVABLE SUPPORT	4	01
03	0909095428	ARTICULATION	5	01
04	0909095433	HYDRAULIC SYSTEM	6	01

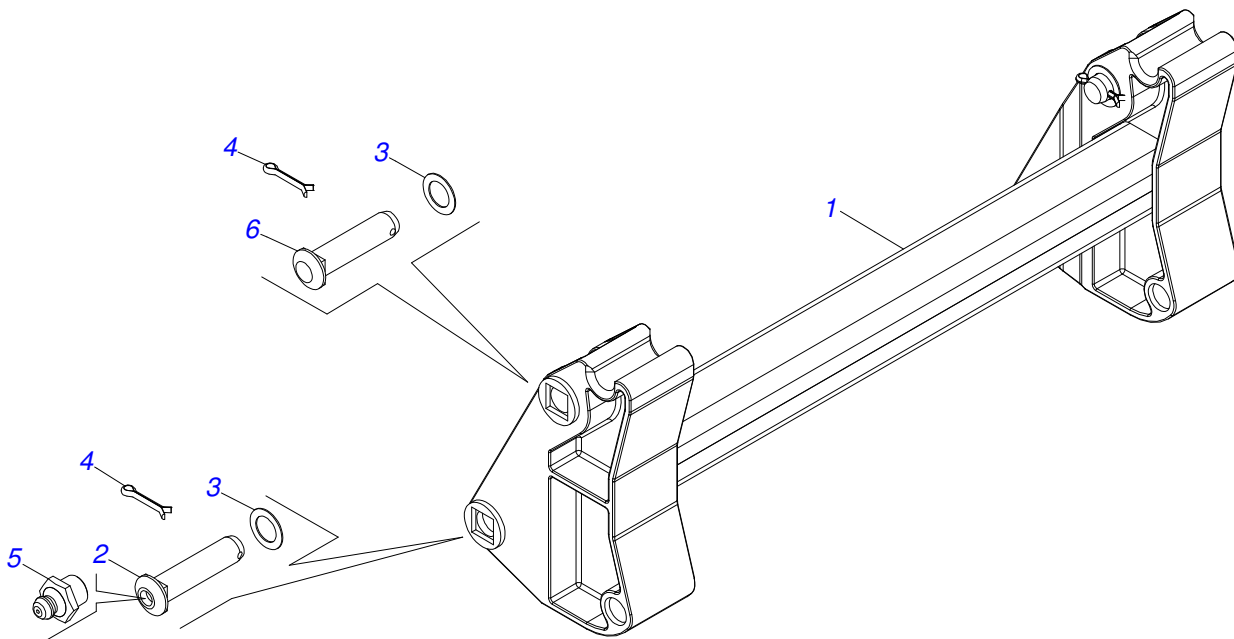


Item	Code	Description	See page	QT
01	0502010477	UPPER CLIP		04
02	0503011180	UPPER CLAMP BODY		06
03	0503010180	7/16" SPRING WASHER		06
04	0503012555	7/16" X 2" BOLT		04
05	0503011102	PARAFUSO 7/16 UNC X 1.1/4 C S G.5		02
06	0511019685	FLAT WASHER		04
07	0503010534	3/8 X 2-1/2 COTTERPIN		08
08	0521012869	COUPLING SHAFT		02
09	0521012868	1.4" X 5" PIVOT SHAFT		04
10	0521012870	1.46" X 6.18" PIVOT SHAFT		02
11	0503010002	1800 GREASE FITTING		02
12	0503062217	SET LABEL ADHESIVE		01
13	0502012472	MOBILE TOWER		01
14	0502012473	LEFT MOBILE TOWER		01
15	0511066050	MOBILE SUPPORT		01

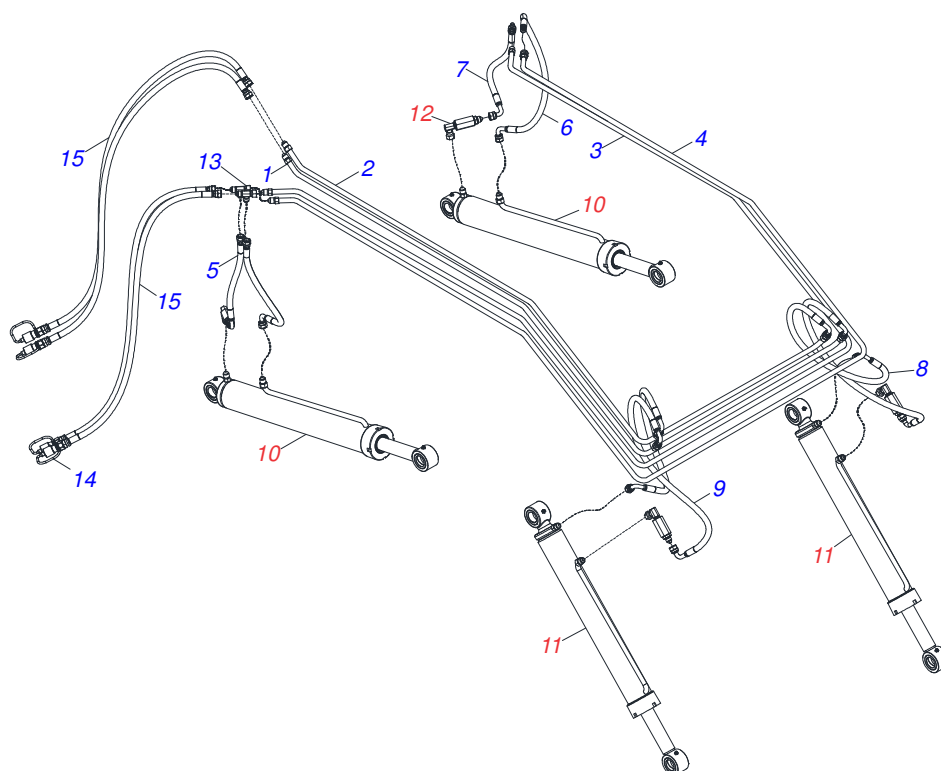


Item	Code	Description	See page	QT
01	0561016401	PLOUGH SUPPORT BODY		02
02	0511013598	3/4" X 4.7" COUPLING SHAFT		02
03	0503010071	3/16" X 1" COTTERPIN		08
04	0511019634	CONTROL LOCK		02
05	0521012823	COUPLING SHAFT		02
06	0511017302	FLAT WASHER		08
07	0561016329	LATCH HOLDER REST PCA		04
08	0561016619	COMPLEMENTON REST		02
09	0503014378	1/2" X 1-1/2" BOLT		02

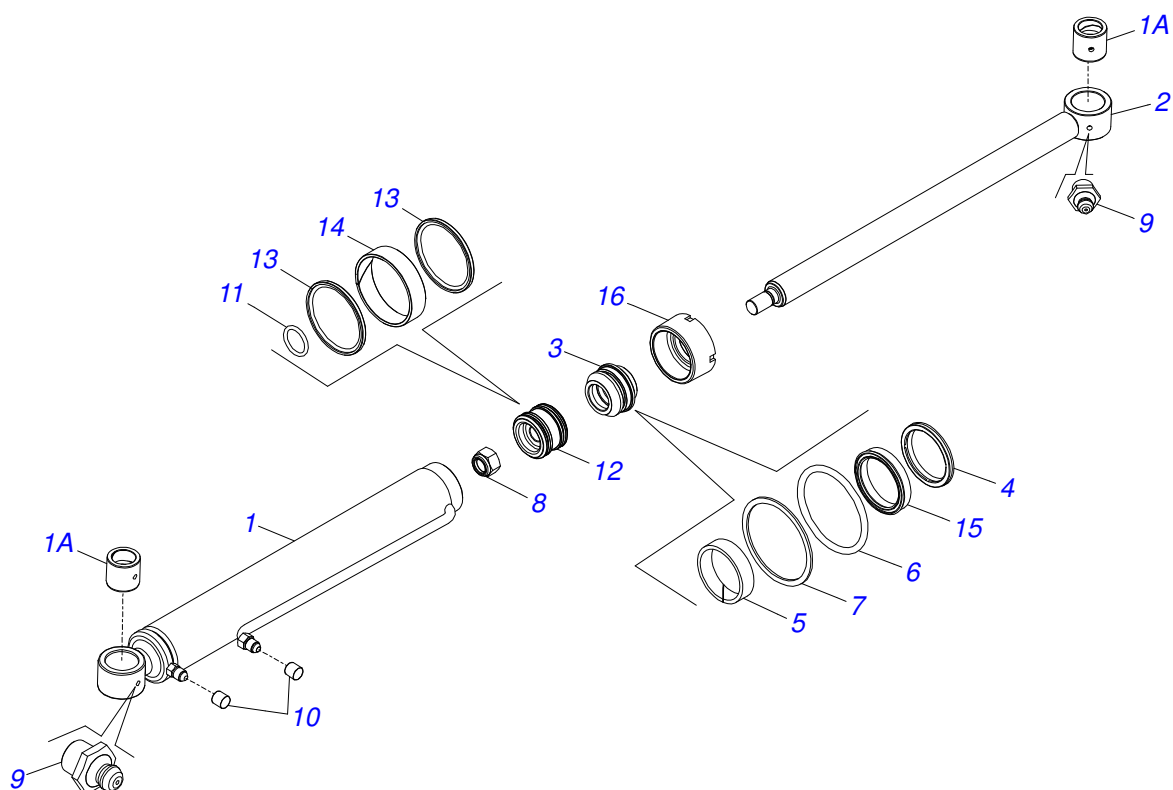
ARTICULATION



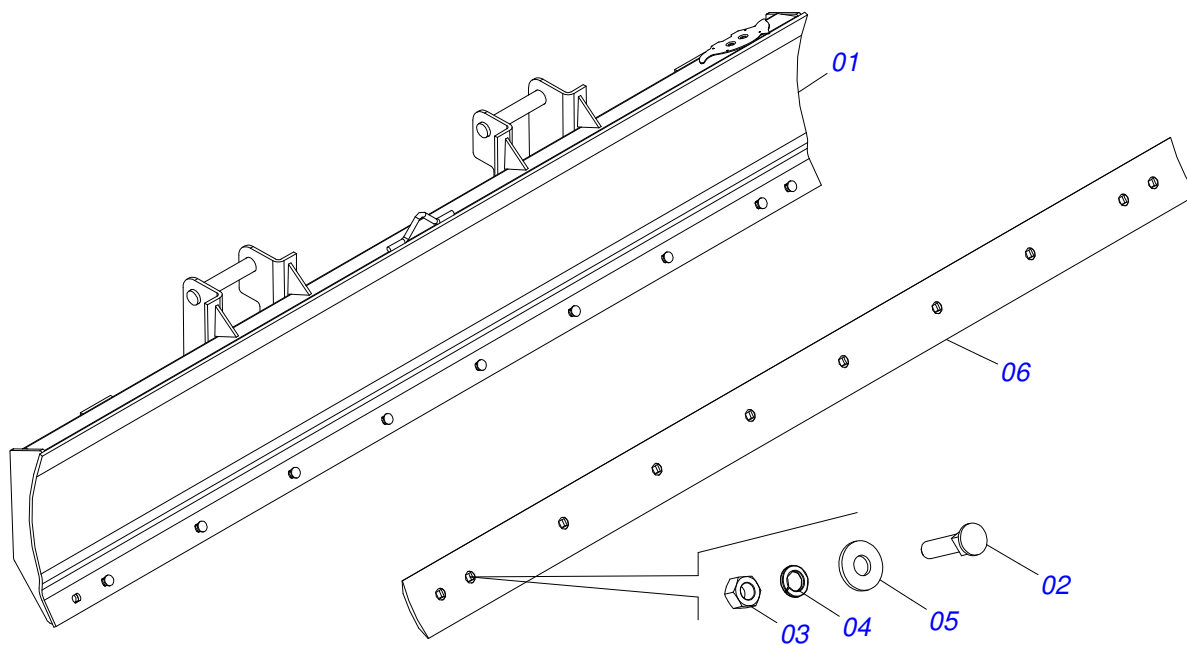
Item	Code	Description	See page	QT
01	0501069939	PIVOT SUPPORT		01
02	0521012870	1.46" X 6.18" PIVOT SHAFT		02
03	0511019685	FLAT WASHER		04
04	0503010534	3/8 X 2-1/2 COTTERPIN		04
05	0503010002	1800 GREASE FITTING		02
06	0521012869	COUPLING SHAFT		02



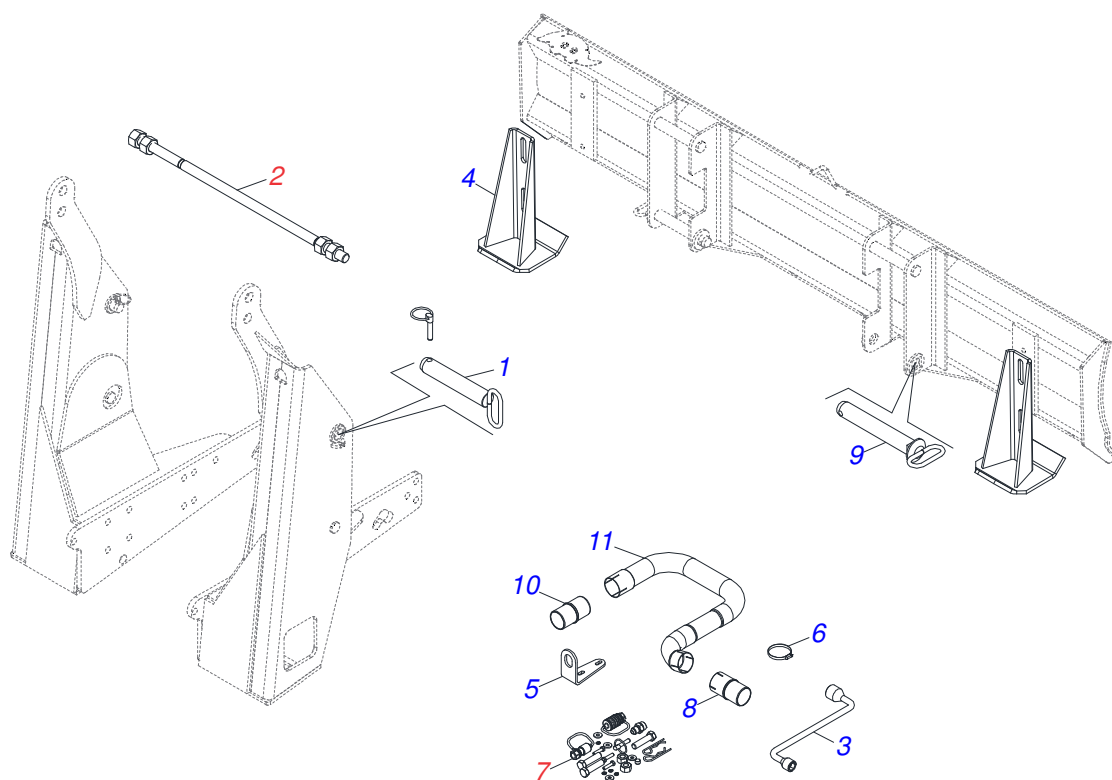
Item	Code	Description	See page	QT
01	0501069857	RIGHT RIGHT OIL TUBE		01
02	0501069858	LH RIGHT OIL TUBE		01
03	0521061821	OUTER DISTRIBUTOR TUBE OIL		01
04	0521061820	INNER DISTRIBUTOR TUBE OIL		01
05	0501080150	TR-TC HOSE ASSY		02
06	0501080766	3/8" X 27.56" TC-TC HOSE		01
07	0501080105	TR-TR HOSE ASSY		01
08	0501080688	3/8" X 25" TC-TC 90G HOSE		02
09	0501080777	LH 3/8" X 25.9" TC-TC HOSE		02
10	0511057974	44,45 X 85,72 X 870 X 593 HYDRAULIC CYLINDER	7	02
11	0511057973	HIDRAULIC CYLINDER 44,45 X 76,20 X 820 X 551	8	02
12	0511057772	SECURITY VALVE SET		04
13	0503011968	T ADAPTOR WITH GIRAT		02
14	0501053834	MALE QUICK COUPLING AGRICULTURAL WITH COVER - 1/2 NPT		04
15	0501081124	HOSE 3/8" X 4200-TM TR		04



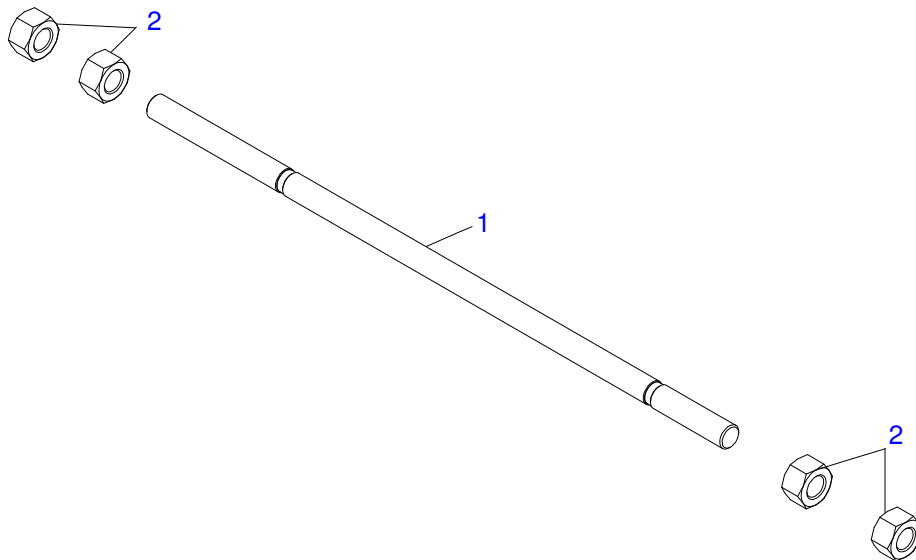
Item	Code	Description	See page	QT
01	0521066381	CYLINDER CASE 76,20 X 723		01
01A	0501110275	BUSHING COUPLING 75 X 38,1 X 50		02
02	0511065578	1.7" X 28.18" TURNBUCLE		01
03	0502012264	RING SUPPORT 1.75" X 3"		01
04	0503010761	D-1750 SCRAPER RING		01
05	0503010949	W2-2000-500 PK RING G.E		01
06	0503010343	2-334 N 3006-9B O'RING		01
07	0503011059	8-334 BACK-UP RING		01
08	0503010063	1" SELF-ALIGNING NUT		01
09	0503010002	1800 GREASE FITTING		02
10	0503030385	CYLINDER PLUG N-002		02
11	0503010042	2-214 N 3006-9B O'RING		01
12	0581010304	PISTON		01
13	0503018138	RING BS		02
14	0503018140	RING GUIDE		01
15	0503017937	GASKET		01
16	0502011899	MOBILE COVER		01
17	0511032725	HYDRAULIC CYLINDER REPAIR KIT		



Item	Code	Description	See page	QT
001	0622360011	2600 SCRAPER REVERSIBLE		01
002	0501012240	5/8" X 2-1/2" BOLT		08
003	0503010013	5/8" NUT		08
004	0503011445	SPRING WASHER		08
005	0501012140	FLAT WASHER		08
006	0511067600	2600 MM DOZER BLADE		01

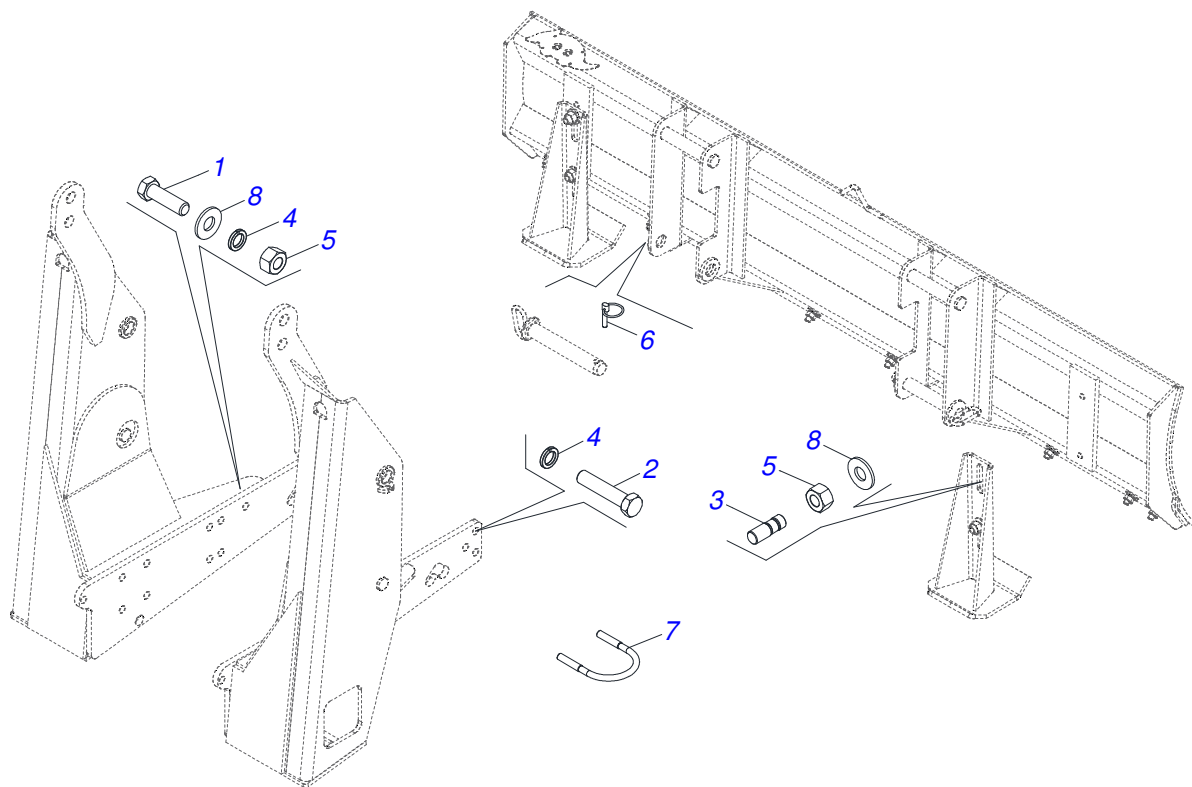


Item	Code	Description	See page	QT
01	0511064410	1.5" X 8.1" COUPLING SHAFT		02
02	0501043212	ROD 1.1/4" NC X 3.818" ASSY	11	01
03	0501068213	5/8" WRENCH DOUBLE		01
04	0501063411	ESTABILIZER BRACKET		02
05	0561011047	FIXER SUPPORT		01
06	0503011266	CLAMP 2.1/4" A 3" 57-76		03
07	0501038386	PACKED PARTS	12	01
08	0571014730	SLEEVE		01
09	0521066515	37,20 X 240 ARTICULATION SHAFT WITH HANDLE		02
10	0581011746	SLEEVE		01
11	0503032722	EXHAUST		01



Item	Code	Description	See page	QT
001	0501014915	ROD 1.1/4" NC X 3.818"		01
002	0501010087	1.1/4" NUT		04

PACKED PARTS



Item	Code	Description	See page	QT
01	0503013390	3/4" UNC BOLT		20
02	0503013103	M20 X 2,5 X 90 BOLT		06
03	0561016756	3/4 UNC X 3/4 UNC X 56 PRISONER		04
04	0503010023	SPRING WASHER		20
05	0503010014	3/4" NUT		24
06	0503030430	7/16 X 2" PIN LOCK		02
07	0561011121	CLAMP		01
08	0501010322	FLAT WASHER		24



www.marchesan.com.br



Technical Publications | Elaboration and Revision
MARINA PEREZ NIZA