

# PARTS CATALOG

## PCA - AGRICULTURAL FRONT LOADER

PCA 800 JD 6415 - 4CL 6110 / 6125 EJ BT  
SC SL

Code: 0501092431



Series: S-0808

Rev.: 00

Date Rev.: FEVEREIRO/2019

ORIGINAL PARTS  
TATU



# PRODUCTS

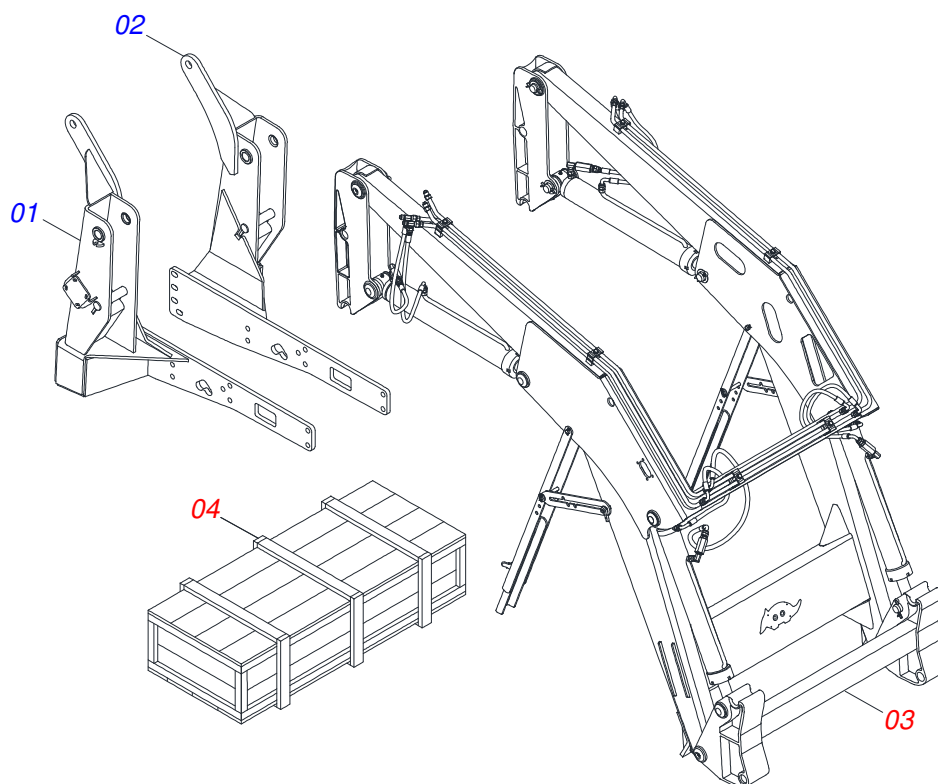
Code	Description
0106111208	PCA800JD6415-4CL6110/6125EJBTSCSL08

**ATTENTION: *IMPORTANT***

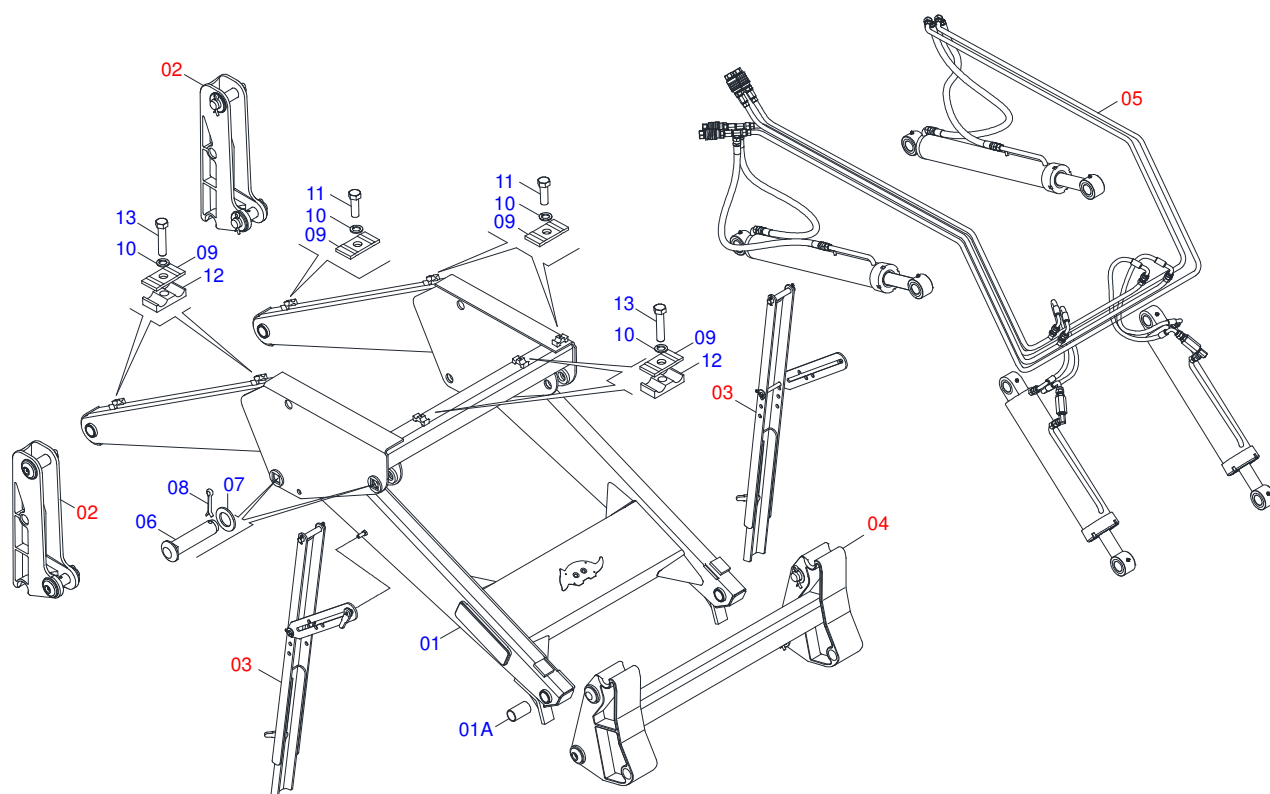
MARCHESAN S/A RESERVES THE RIGHT AT ANY TIME TO MAKE IMPROVEMENTS IN THE DESIGN, MATERIAL OR SPECIFICATIONS OF MACHINERY, EQUIPMENT OR PARTS WITHOUT THEREBY BECOMING LIABLE TO MAKE SIMILAR CHANGES IN MACHINERY, EQUIPMENT OR PARTS PREVIOUSLY SOLD.

# INDEX

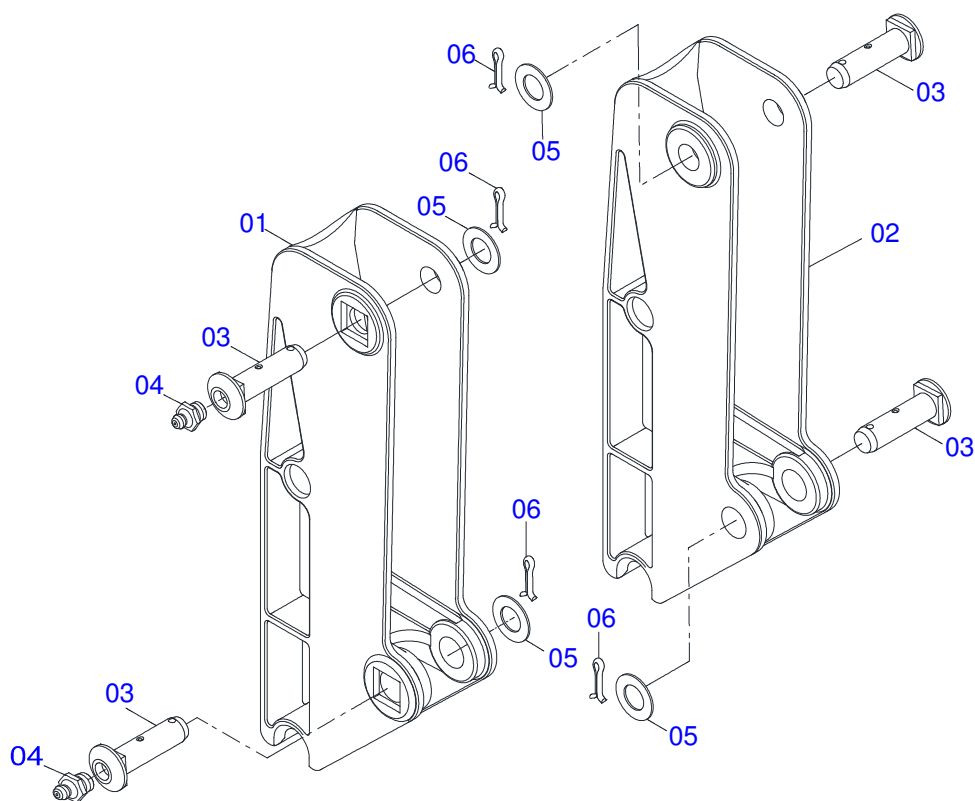
0106111208	PCA 800 JD 6415-4CL6110/6125 EJ BT SC SL	.....	1
0501048629	COMPLETE MOVEL SUPPORT - PCA 800 BT SC	.....	2
0909094132	MOBILLE TOWER - PCA 800	.....	3
0909092667	ADJUSTABLE REST OF MOVABLE SUPPORT	.....	4
0909092160	ARTICULATING SUPPORT - PCA 800	.....	5
0909092161	HYDRAULIC CIRCUIT OF MOBILE SUPPORT - PCA 800	.....	6
0511057973	HIDRAULIC CYLINDER 44,45 X 76,20 X 820 X 551	.....	7
0511057974	44,45 X 85,72 X 870 X 593 HYDRAULIC CYLINDER	.....	8
0501053834	MALE QUICK COUPLING AGRICULTURAL WITH COVER - 1/2 NPT	.....	9
0511057772	SECURITY VALVE SET	.....	10
0511025567	BOX WITH COMPONENTS	.....	11
0501042819	1.1/4"NC X 33.46" ROD FULL	.....	12
0501038175	PACKED PARTS PCA	.....	13



Item	Code	Description	QT
001	0511067172	RIGHT FRAME	01
002	0511067173	LEFT FRAME	01
003	0501048629	COMPLETE MOVEL SUPPORT - PCA 800 BT SC	01
004	0511025567	BOX WITH COMPONENTS	01

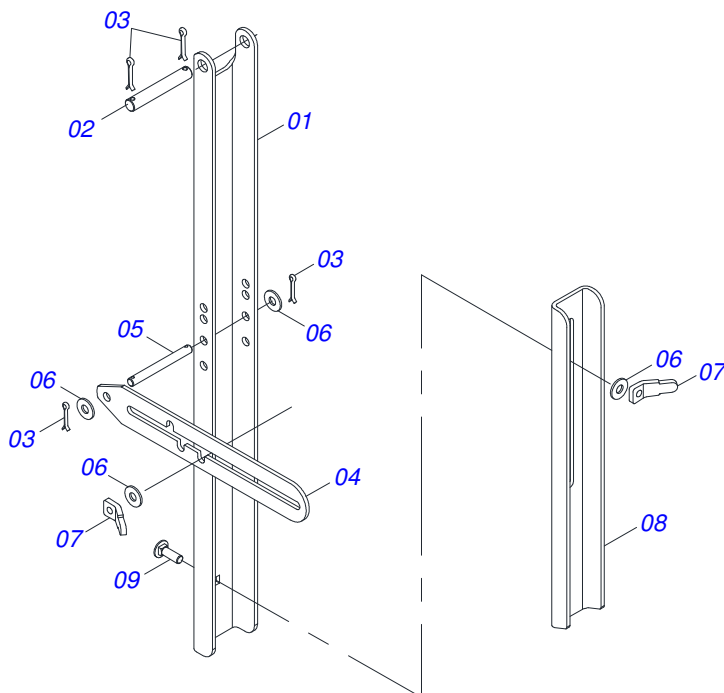


Item	Code	Description	QT
01	0501069453	MOBILE SUPPORT	01
01A	0541014740	SLEEVE	04
02	0909094132	MOBILLE TOWER - PCA 800	02
03	0909092667	ADJUSTABLE REST OF MOVABLE SUPPORT	02
04	0909092160	ARTICULATING SUPPORT - PCA 800	01
05	0909092161	HYDRAULIC CIRCUIT OF MOBILE SUPPORT - PCA 800	01
06	0521012868	1.4" X 5" PIVOT SHAFT	04
07	0511019685	FLAT WASHER	04
08	0503010534	3/8 X 2-1/2 COTTERPIN	04
09	0531011180	UPPER BODY CLIP	06
10	0503010180	7/16" SPRING WASHER	06
11	0503011102	PARAFUSO 7/16 UNC X 1.1/4 C S G.5	03
12	0502010477	UPPER CLIP	03
13	0503012555	7/16" X 2" BOLT	03

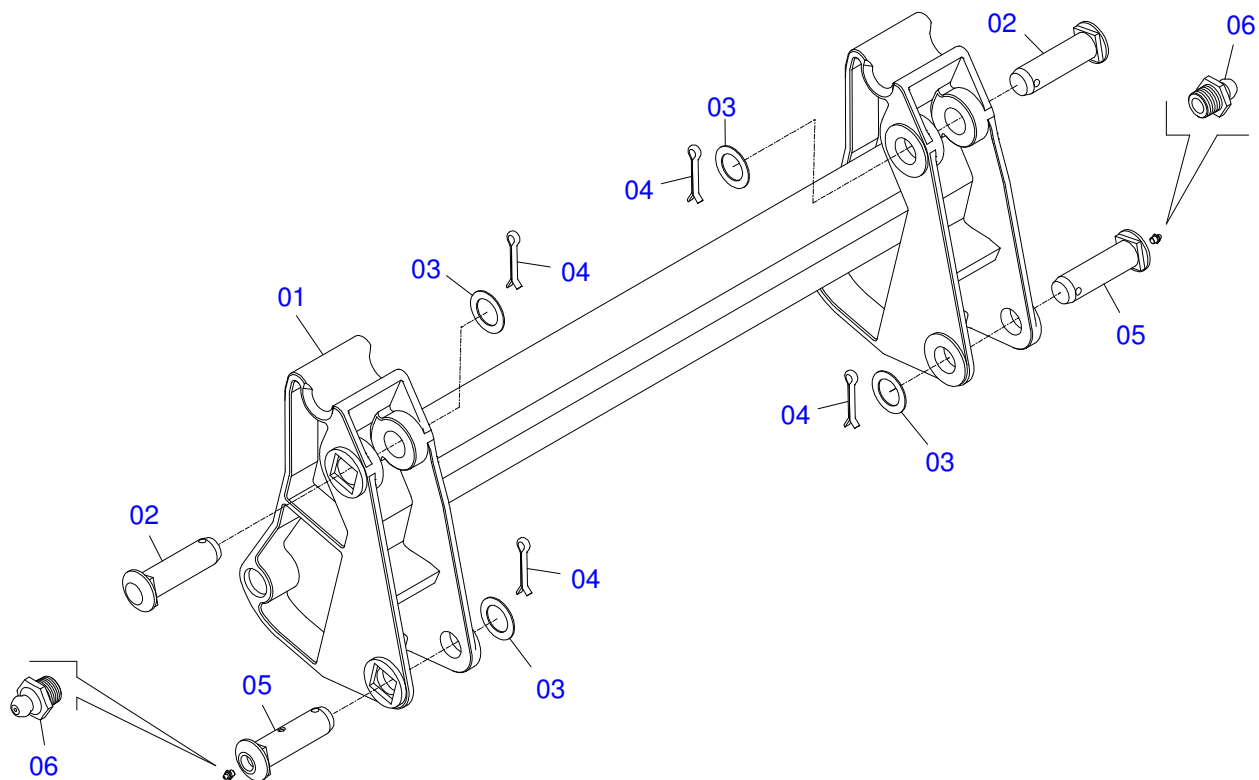


Item	Code	Description	QT
01	0502012472	MOBILE TOWER	01
02	0502012473	LEFT MOBILE TOWER	01
03	0521012870	1.46" X 6.18" PIVOT SHAFT	04
04	0503010002	1800 GREASE FITTING	04
05	0511019685	FLAT WASHER	04
06	0503010534	3/8 X 2-1/2 COTTERPIN	04

ADJUSTABLE REST OF MOVABLE SUPPORT

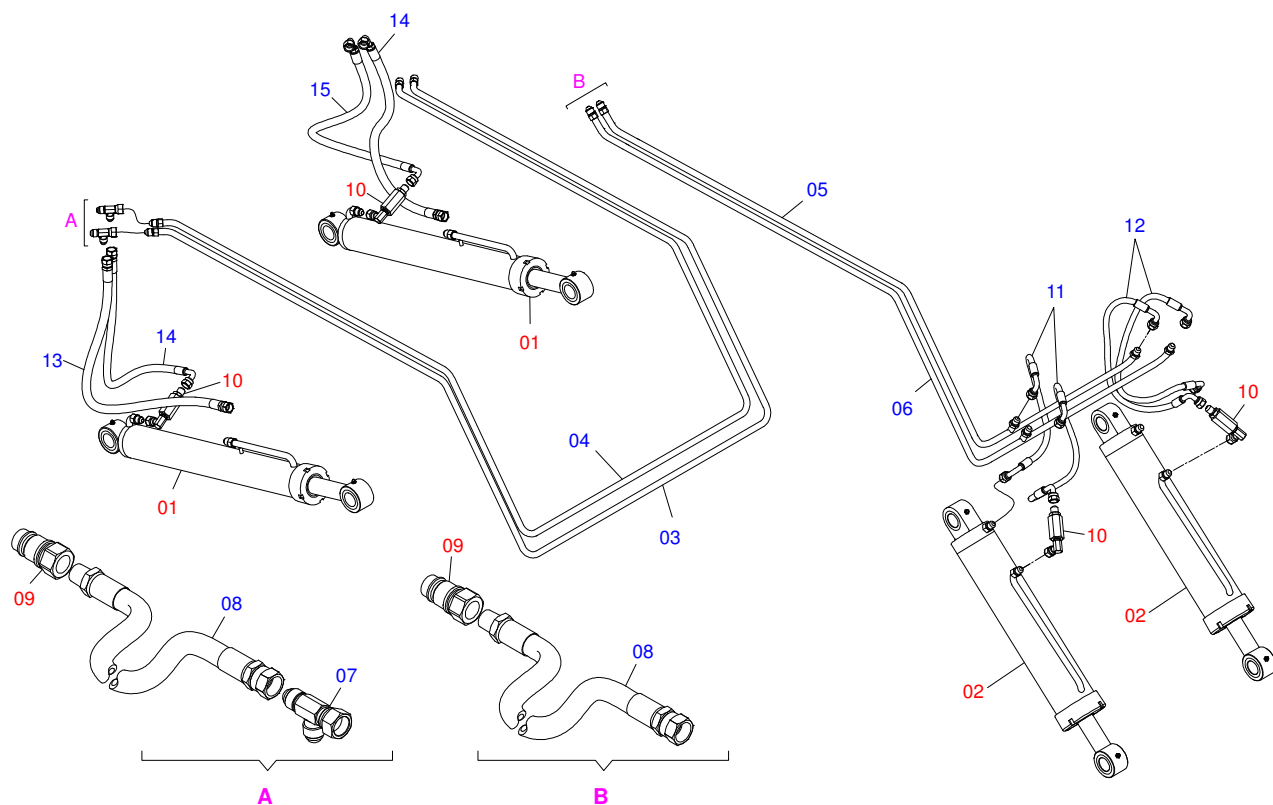


Item	Code	Description	QT
01	0561016401	PLOUGH SUPPORT BODY	02
02	0511013598	3/4" X 4.7" COUPLING SHAFT	02
03	0503010071	3/16" X 1" COTTERPIN	08
04	0511019634	CONTROL LOCK	02
05	0521012823	COUPLING SHAFT	02
06	0511017302	FLAT WASHER	08
07	0561016329	LATCH HOLDER REST PCA	04
08	0561016619	COMPLEMENTON REST	02
09	0503014378	1/2" X 1-1/2" BOLT	02

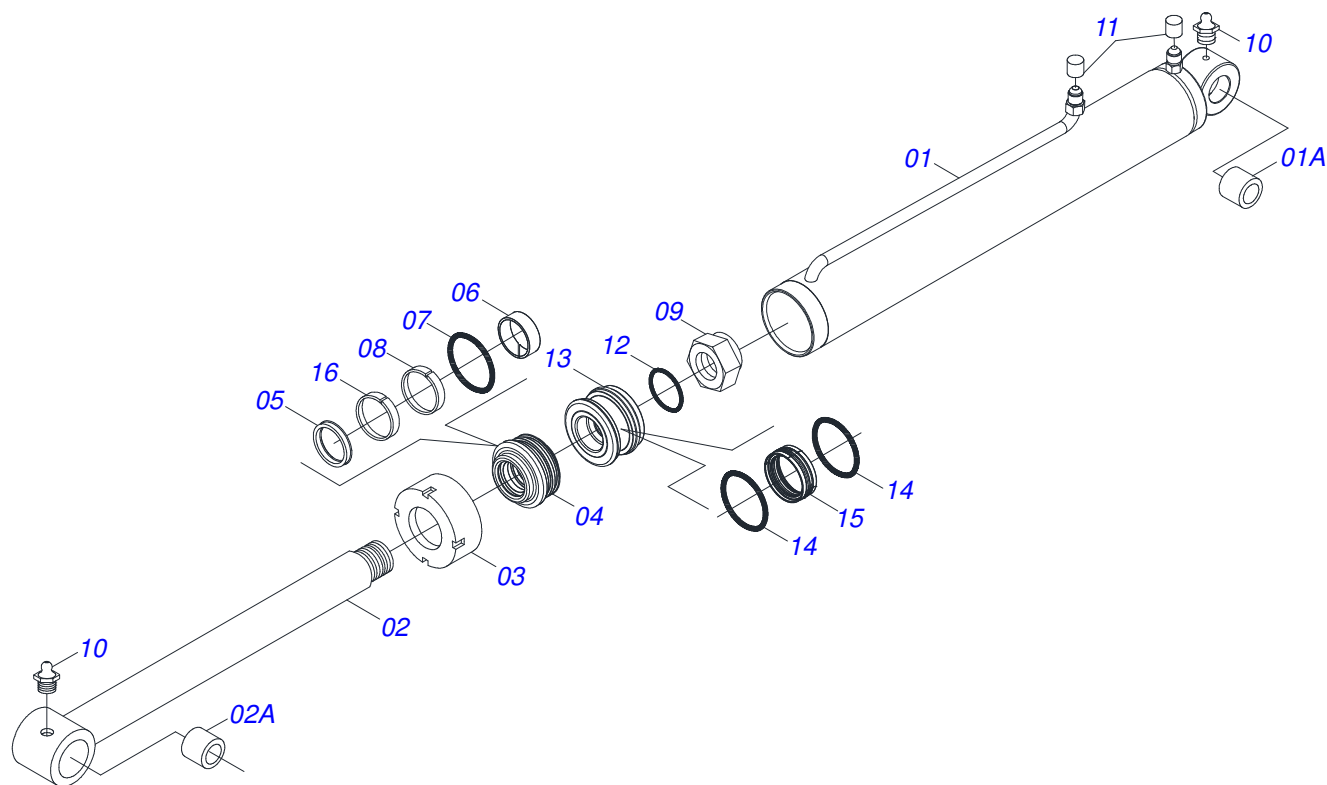


Item	Code	Description	QT
01	0501069146	JOINT SUPPORT PCA 800	01
02	0521012869	COUPLING SHAFT	02
03	0511019685	FLAT WASHER	04
04	0503010534	3/8 X 2-1/2 COTTERPIN	04
05	0521012870	1.46" X 6.18" PIVOT SHAFT	02
06	0503010002	1800 GREASE FITTING	02

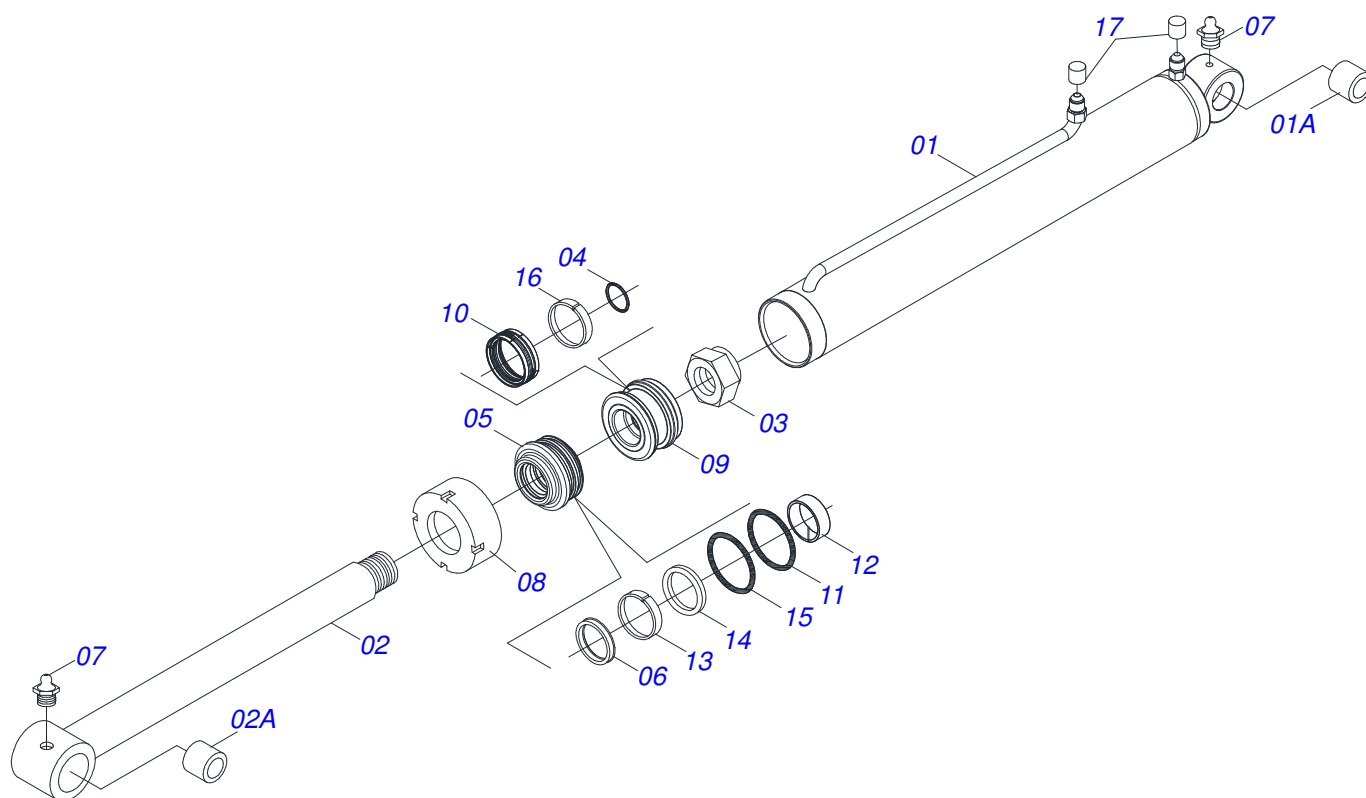




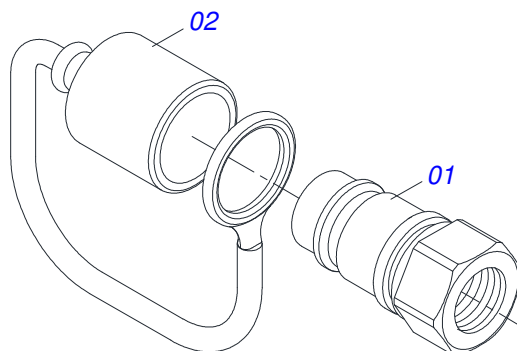
Item	Code	Description	QT
01	0511057974	44,45 X 85,72 X 870 X 593 HYDRAULIC CYLINDER	02
02	0511057973	HIDRAULIC CYLINDER 44,45 X 76,20 X 820 X 551	02
03	0501069860	OUTER OIL TUBE	01
04	0501069861	INNER OIL TUBE	01
05	0501069857	RIGHT RIGHT OIL TUBE	01
06	0501069858	LH RIGHT OIL TUBE	01
07	0503011968	T ADAPTOR WITH GIRAT	02
08	0501081124	HOSE 3/8" X 4200-TM TR	04
09	0501053834	MALE QUICK COUPLING AGRICULTURAL WITH COVER - 1/2 NPT	04
10	0511057772	SECURITY VALVE SET	04
11	0501080688	3/8" X 25" TC-TC 90G HOSE	02
12	0501080777	LH 3/8" X 25.9" TC-TC HOSE	02
13	0501080105	TR-TR HOSE ASSY	01
14	0501080150	TR-TC HOSE ASSY	02
15	0501080766	3/8" X 27.56" TC-TC HOSE	01



Item	Code	Description	QT
01	0521066381	CYLINDER CASE76,20 X 723	01
01A	0521010514	38,1 X 52,9 X 50 SLEEVE INTER	01
02	0511065578	1.7" X 28.18"TURNBUCL	01
02A	0521010514	38,1 X 52,9 X 50 SLEEVE INTER	01
03	0502011899	MOBILE COVER	01
04	0502012264	RING SUPPORT 1.75" X 3"	01
05	0503010761	D-1750 SCRAPER RING	01
06	0503010949	W2-2000-500 PK RING G.E	01
07	0503010343	2-334 N 3006-9B O'RING	01
08	0503011059	8-334 BACK-UP RING	01
09	0503010063	1" SELF-ALIGNING NUT	01
10	0503010002	1800 GREASE FITTING	02
11	0503030385	CYLINDER PLUG N-002	02
12	0503010042	2-214 N 3006-9B O'RING	01
13	0581010304	PISTON	01
14	0503018138	RING BS	02
15	0503018140	RING GUIDE	01
16	0503017937	GASKET	01

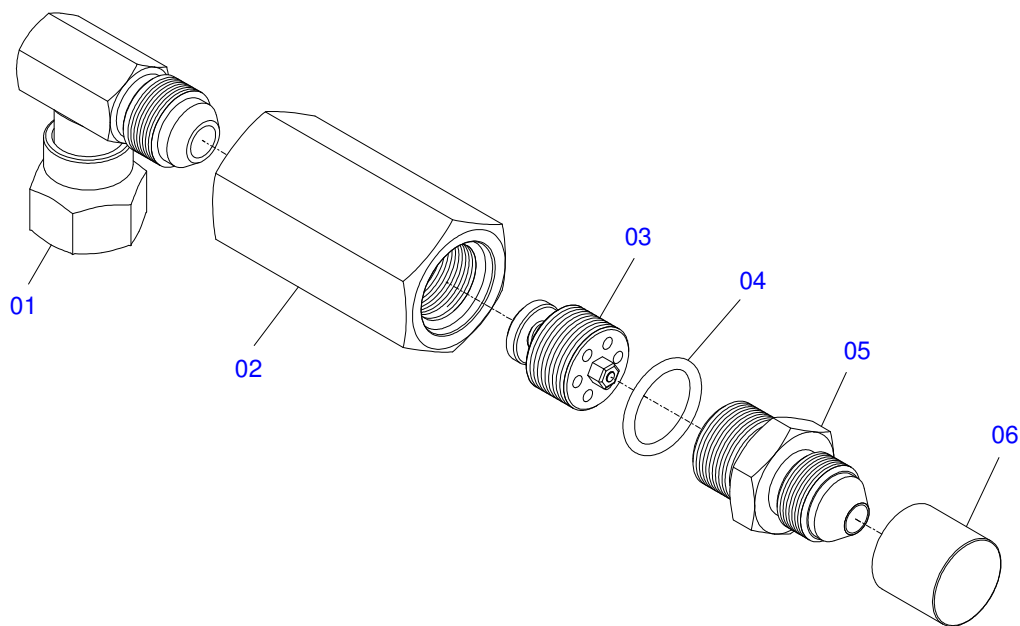


Item	Code	Description	QT
01	0511069198	BODY SHIRT WITH MAKING	01
01A	0521010514	38,1 X 52,9 X 50 SLEEVE INTER	01
02	0521066404	44,45 X 772 TURNBUCKLE	01
02A	0521010514	38,1 X 52,9 X 50 SLEEVE INTER	01
03	0503010063	1" SELF-ALIGNING NUT	01
04	0503010042	2-214 N 3006-9B O'RING	01
05	0571019711	RING SUPPORT	01
06	0503010761	D-1750 SCRAPER RING	01
07	0503010002	1800 GREASE FITTING	02
08	0571019709	DETACHABLE COVER	01
09	0571019710	1.7" X 3.4" PISTON	01
10	0503017935	RING	01
11	0503017936	RING	01
12	0503017938	RING GUIDE	01
13	0503017937	GASKET	01
14	0503017940	8-337 BACK-UP RING	02
15	0503017939	2-337 N 3006-9B O' RING	02
16	0503018144	RING	01
17	0503030385	CYLINDER PLUG N-002	02

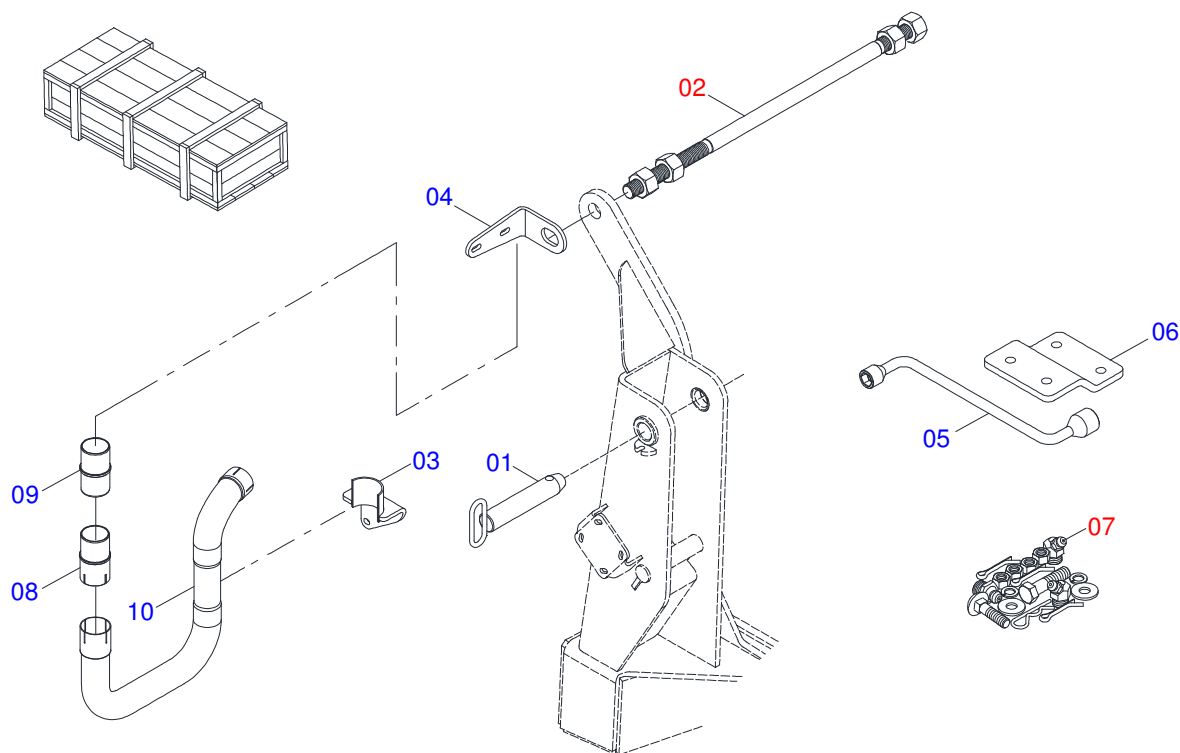


Item	Code	Description	QT
01	0503011627	QUICK CONNECTION (MALE) AGR 1/2 NPT	01
02	0503011882	QUICK CONNECTION COVER	01

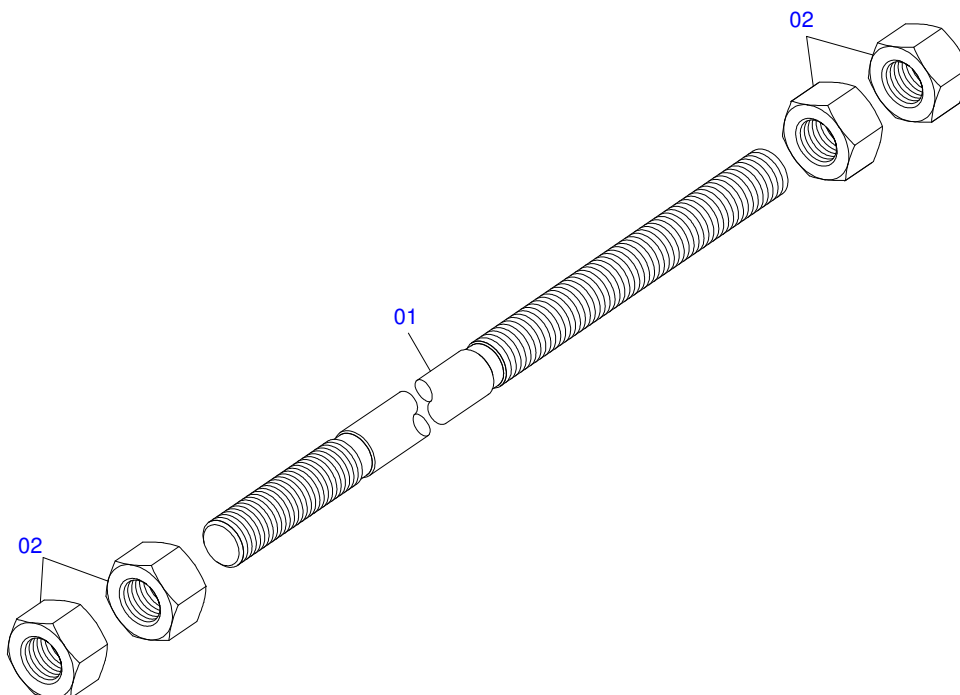
SECURITY VALVE SET



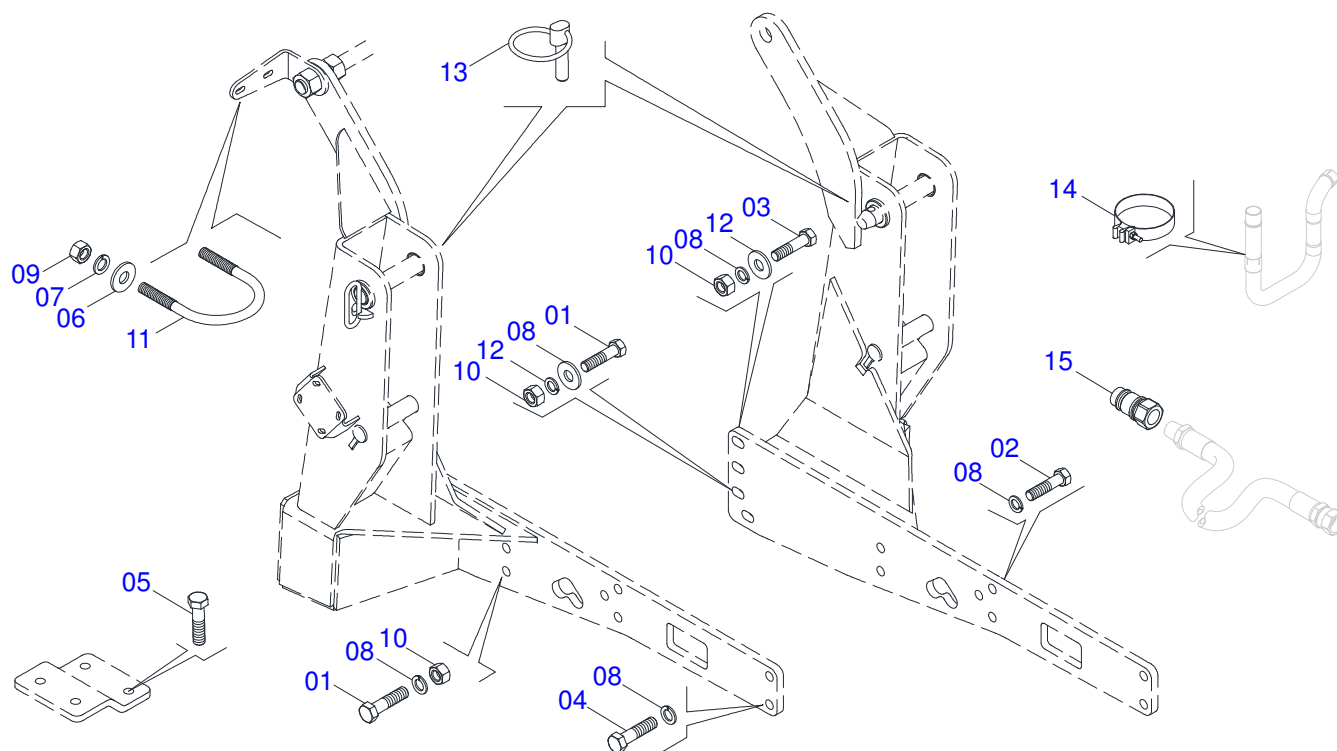
Item	Code	Description	QT
01	0503018034	MALE KNEE JIC	01
02	0581014055	ADAPTER	01
03	0503016854	VALVE ASSY	01
04	0503010045	2-116 N 3006-9B O'RING	01
05	0581014054	BSP 1/2" NIPPLE	01
06	0503030385	CYLINDER PLUG N-002	01



Item	Code	Description	QT
01	0521068124	JOINT SHAFT WITH HANDLE - 37,20 X 215 PCA 800/1100	02
02	0501042819	1.1/4"NC X 33.46" ROD FULL	01
03	0521062065	FIXER SUPPLEMENT	01
04	0561011047	FIXER SUPPORT	01
05	0501068213	5/8" WRENCH DOUBLE	01
06	0561017912	FIXER SUPPLEMENT	01
07	0501038175	PACKED PARTS PCA	01
08	0571014730	SLEEVE	01
09	0581011746	SLEEVE	01
10	0503032722	EXHAUST	01



Item	Code	Description	QT
01	0501018845	1.1/4" X 33.46" ROD	01
02	0501010087	1.1/4" NUT	04



Item	Code	Description	QT
01	0501010125	3/4" X 2-1/2" BOLT	08
02	0503013110	M20 X 2,5 X 50 BOLT	04
03	0503013111	M20 X 2,5 X 65 BOLT	04
04	0503013103	M20 X 2,5 X 90 BOLT	10
05	0503015107	M12 X 1,75 X 40 BOLT	02
06	0501010984	FLAT WASHER	02
07	0503010025	3/8 SPRING WASHER	02
08	0503010023	SPRING WASHER	22
09	0503010026	3/8" NUT	02
10	0503010014	3/4" NUT	12
11	0561011121	CLAMP	01
12	0501010322	FLAT WASHER	12
13	0503030430	7/16 X 2" PIN LOCK	02
14	0503015725	CLAMP	01
15	0501053834	MALE QUICK COUPLING AGRICULTURAL WITH COVER - 1/2 NPT	04







**MARCHESAN IMPLEMENTOS E MÁQUINAS AGRÍCOLAS TATU S.A.**

AV. Marchesan, 1979 - Post office box, 131 - CEP 15994-900 - Matão - SP - Brazil

Phone +55 16.3382-8282

(FAX Parts) + 55 16.3382. 8297 - (Export) + 55 16.3382.1003

e.mail: [tatu@marchesan.com.br](mailto:tatu@marchesan.com.br) [www.marchesan.com.br](http://www.marchesan.com.br)

**Technical Publications: Elaboration**

MARINA PEREZ NIZA

**Technical Publications: Revision**

MARINA PEREZ NIZA

*Contact Catálogo:*

*E-mail = [jgaspari@marchesan.com.br](mailto:jgaspari@marchesan.com.br)*

**ORIGINAL PARTS  
TATU**

