

PARTS CATALOGUE



PCA - AGRICULTURAL FRONT LOADER

Code:

0501092430

Product:

PCA 1100 NH 7630/8030-4 BT SC SL



Series:

S-0608

Revision:

00

Date Revision:

OUTUBRO/2019



PRODUCTS

Code	Description
0106111159	PCA 1100 NH 7630/8030-4 BT SC SL

ATTENTION: IMPORTANT

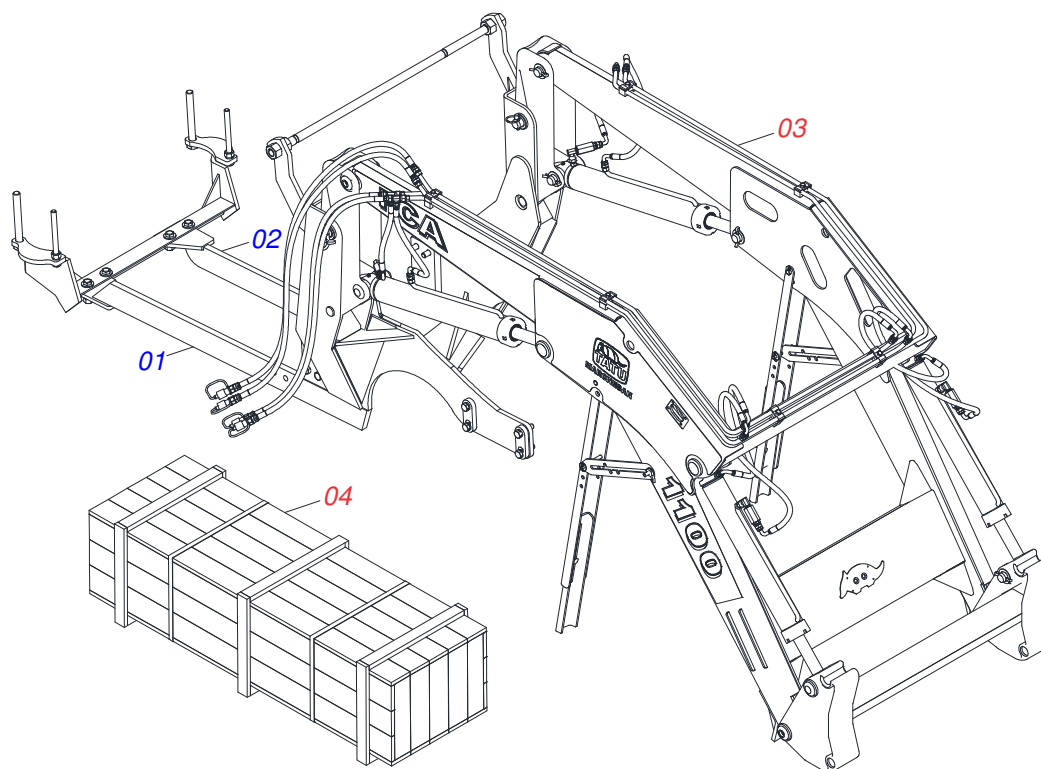
Marchesan S.A. reserves the right to improve and / or modify the technical features of its products, without obligation to do the same with those products already sold and without prior knowledge of the dealer or the consumer.



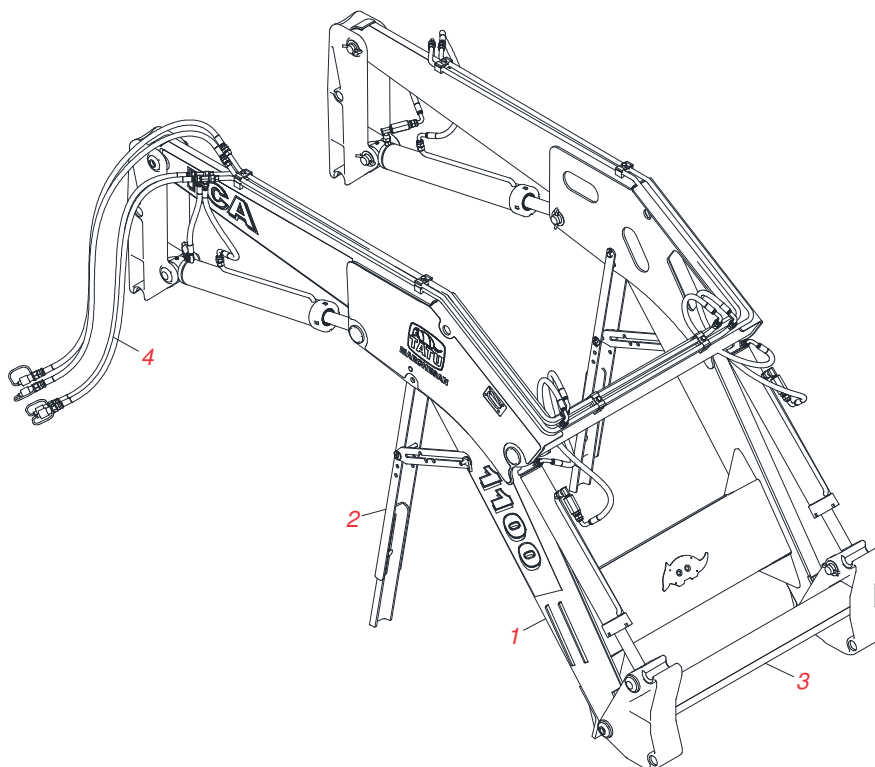
MARCHESAN

INDEX

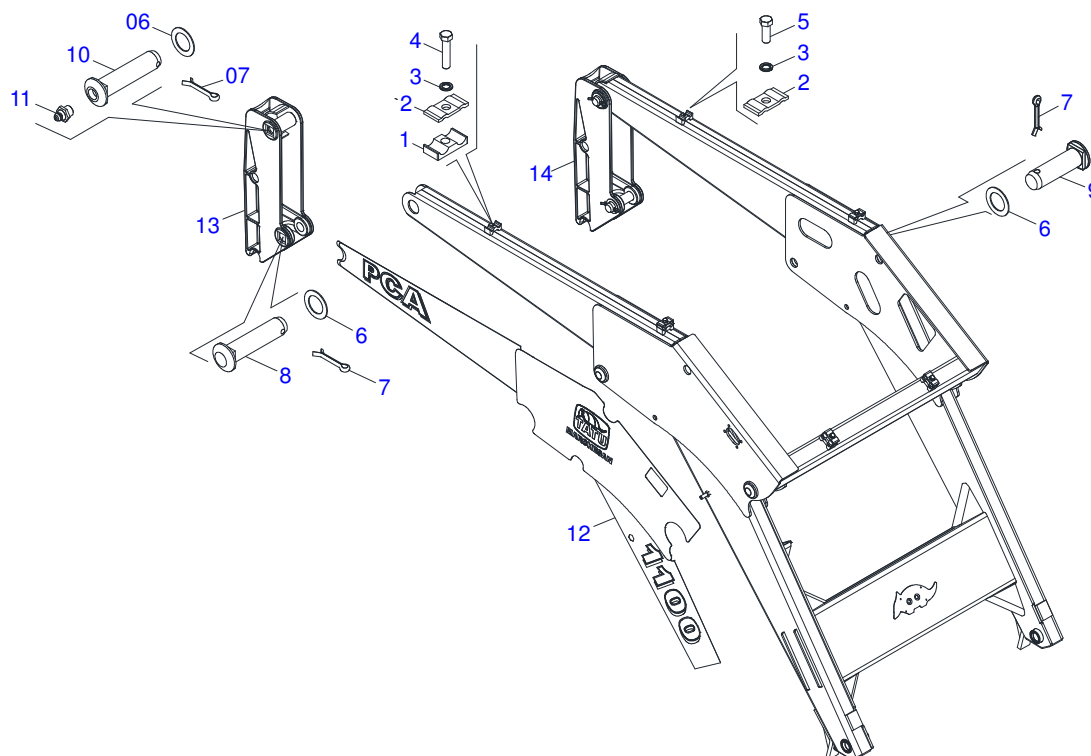
0106111159	PCA 1100 NH 7630/8030-4 BT SC SL	1
0511043201	MOBILE SUPPORT ASSY	2
0909095434	MOBILE SUPPORT / TOWER	3
0909092667	ADJUSTABLE REST OF MOVABLE SUPPORT	4
0909095428	ARTICULATION	5
0909095433	HYDRAULIC SYSTEM	6
0511057974	44,45 X 85,72 X 870 X 593 HYDRAULIC CYLINDER	7
0511057973	HIDRAULIC CYLINDER 44,45 X 76,20 X 820 X 551	8
0511057772	SECURITY VALVE SET	9
0501053834	MALE QUICK COUPLING AGRICULTURAL WITH COVER - 1/2 NPT	10
0511025207	COMPONENT BOX	11
0511047399	1.1/4" X 40" ROD	12
0501037973	PACKED PARTS	13



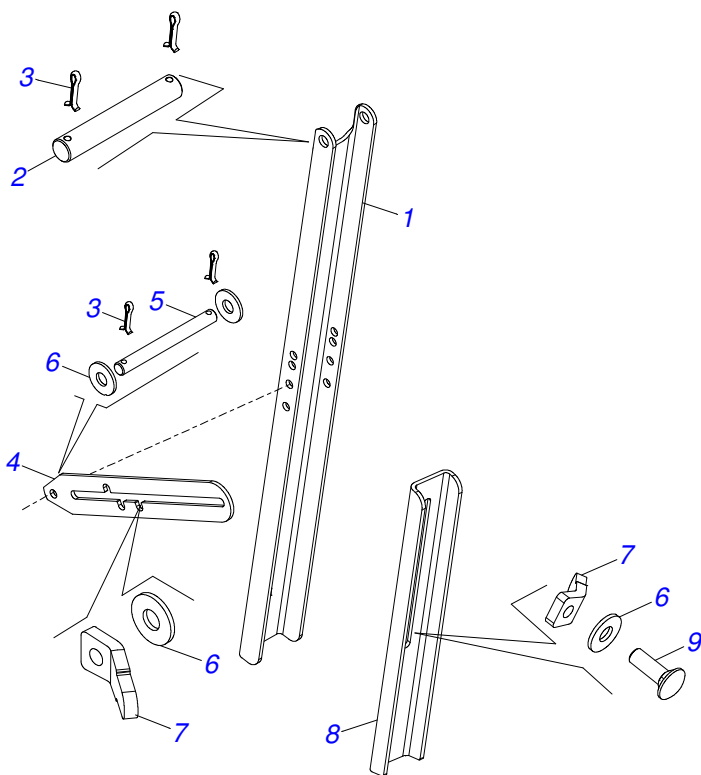
Item	Code	Description	See page	QT
001	0521060455	RIGHT FRAME		01
002	0521060085	LEFT FRAME		01
003	0511043201	MOBILE SUPPORT ASSY	2	01
004	0511025207	COMPONENT BOX	11	01



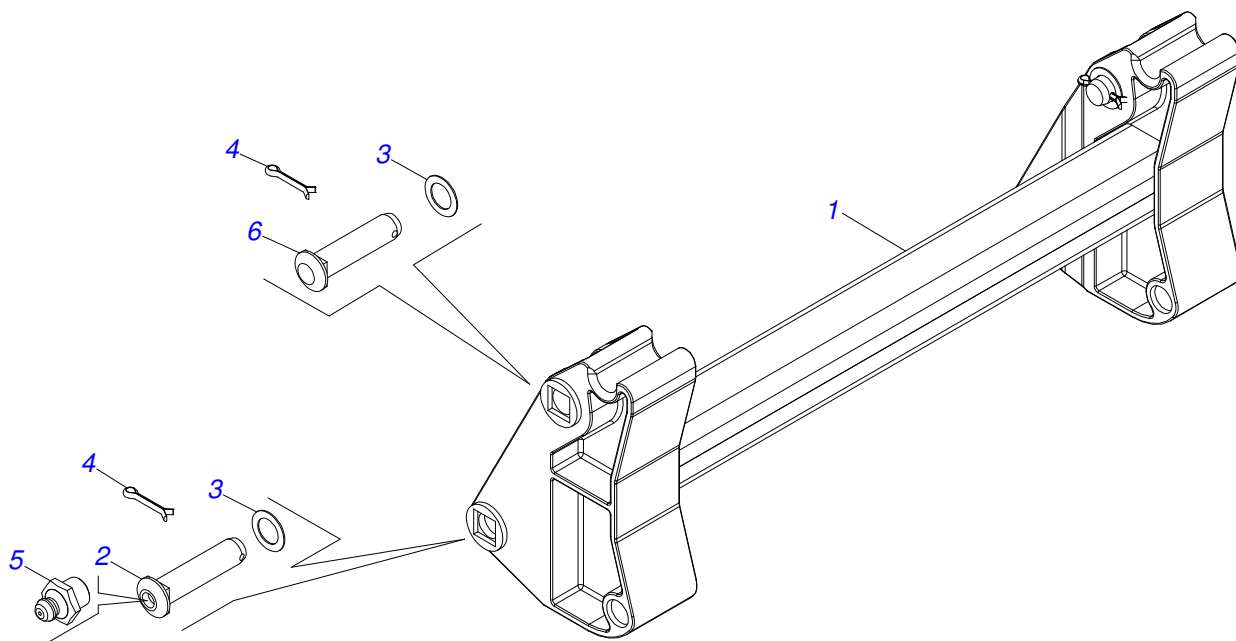
Item	Code	Description	See page	QT
01	0909095434	MOBILE SUPPORT / TOWER	3	01
02	0909092667	ADJUSTABLE REST OF MOVABLE SUPPORT	4	01
03	0909095428	ARTICULATION	5	01
04	0909095433	HYDRAULIC SYSTEM	6	01



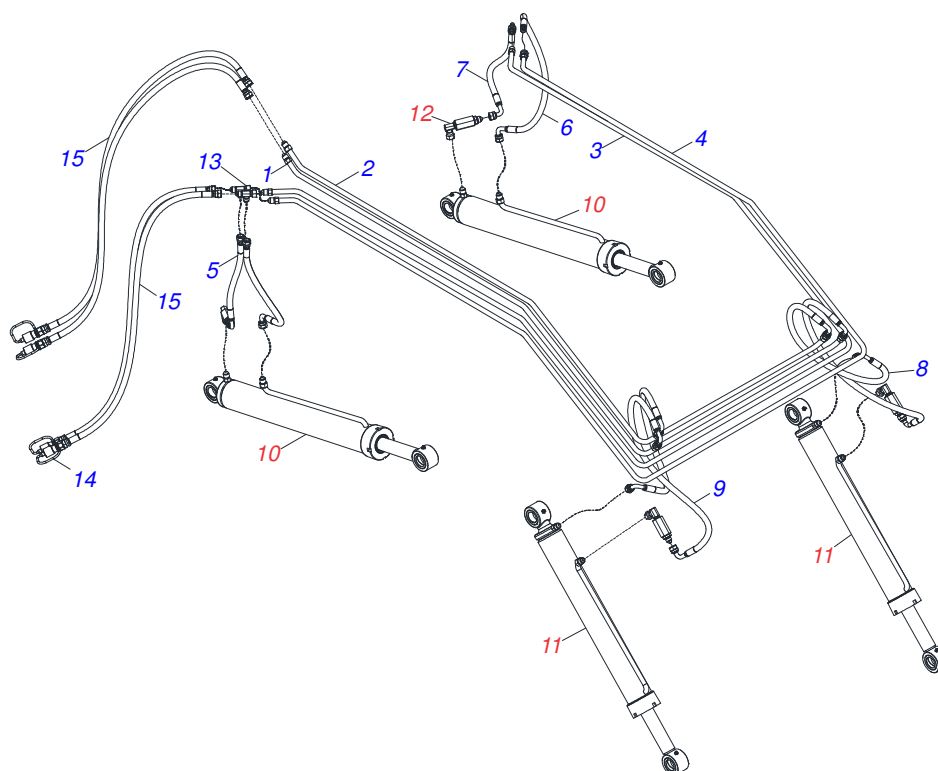
Item	Code	Description	See page	QT
01	0502010477	UPPER CLIP		04
02	0503011180	UPPER CLAMP BODY		06
03	0503010180	7/16" SPRING WASHER		06
04	0503012555	7/16" X 2" BOLT		04
05	0503011102	PARAFUSO 7/16 UNC X 1.1/4 C S G.5		02
06	0511019685	FLAT WASHER		04
07	0503010534	3/8 X 2-1/2 COTTERPIN		08
08	0521012869	COUPLING SHAFT		02
09	0521012868	1.4" X 5" PIVOT SHAFT		04
10	0521012870	1.46" X 6.18" PIVOT SHAFT		02
11	0503010002	1800 GREASE FITTING		02
12	0503062217	SET LABEL ADHESIVE		01
13	0502012472	MOBILE TOWER		01
14	0502012473	LEFT MOBILE TOWER		01



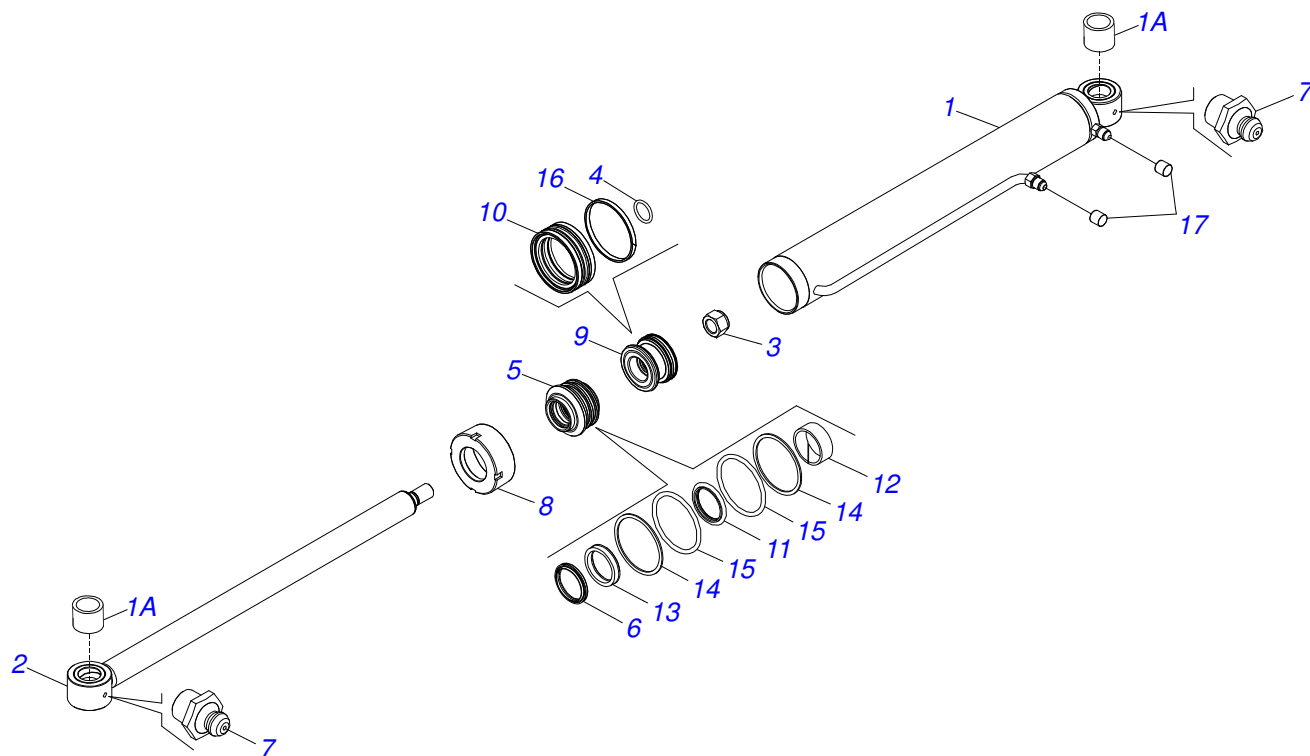
Item	Code	Description	See page	QT
01	0561016401	PLOUGH SUPPORT BODY		02
02	0511013598	3/4" X 4.7" COUPLING SHAFT		02
03	0503010071	3/16" X 1" COTTERPIN		08
04	0511019634	CONTROL LOCK		02
05	0521012823	COUPLING SHAFT		02
06	0511017302	FLAT WASHER		08
07	0561016329	LATCH HOLDER REST PCA		04
08	0561016619	COMPLEMENTON REST		02
09	0503014378	1/2" X 1-1/2" BOLT		02



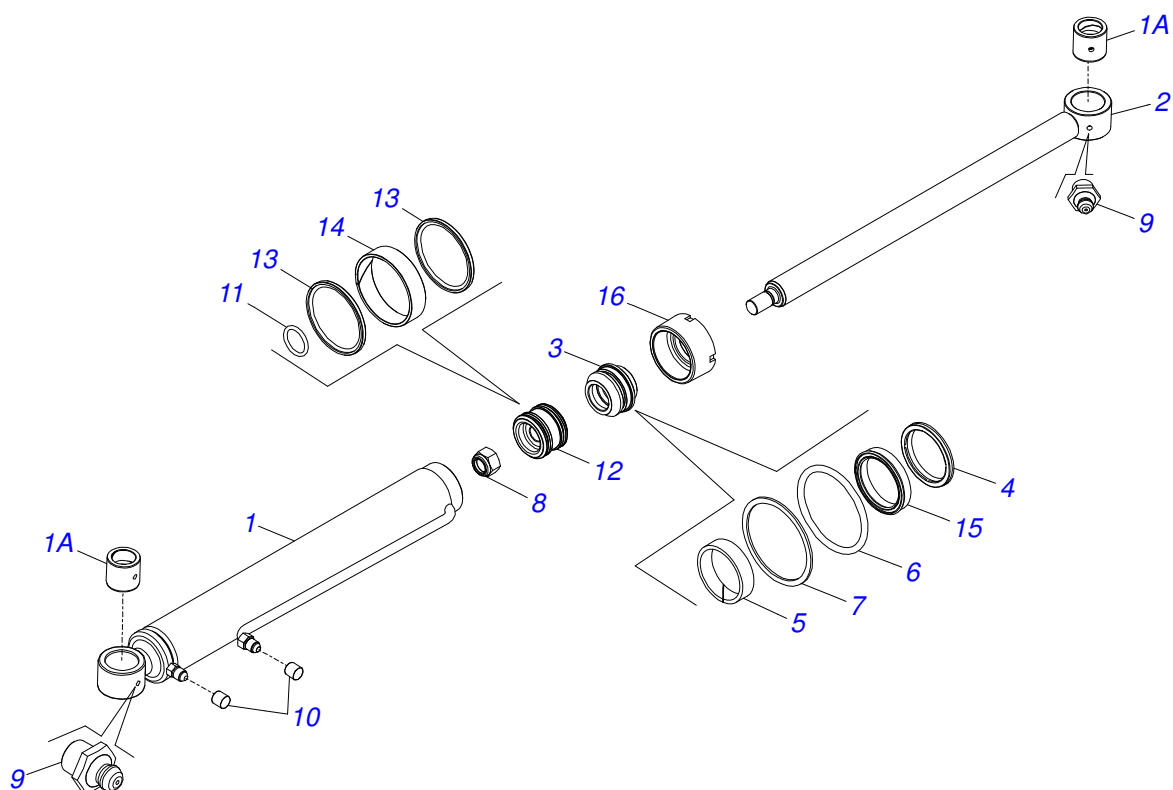
Item	Code	Description	See page	QT
01	0501069939	PIVOT SUPPORT		01
02	0521012870	1.46" X 6.18" PIVOT SHAFT		02
03	0511019685	FLAT WASHER		04
04	0503010534	3/8 X 2-1/2 COTTERPIN		04
05	0503010002	1800 GREASE FITTING		02
06	0521012869	COUPLING SHAFT		02



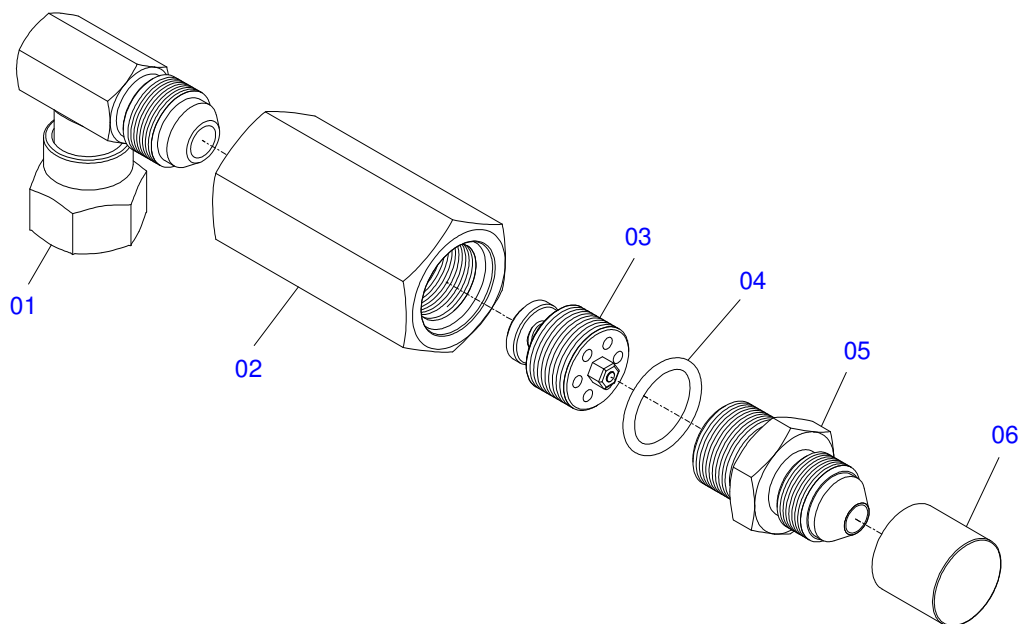
Item	Code	Description	See page	QT
01	0501069857	RIGHT RIGHT OIL TUBE		01
02	0501069858	LH RIGHT OIL TUBE		01
03	0521061821	OUTER DISTRIBUTOR TUBE OIL		01
04	0521061820	INNER DISTRIBUTOR TUBE OIL		01
05	0501080150	TR-TC HOSE ASSY		02
06	0501080766	3/8" X 27.56" TC-TC HOSE		01
07	0501080105	TR-TR HOSE ASSY		01
08	0501080688	3/8" X 25" TC-TC 90G HOSE		02
09	0501080777	LH 3/8" X 25.9" TC-TC HOSE		02
10	0511057974	44,45 X 85,72 X 870 X 593 HYDRAULIC CYLINDER	7	02
11	0511057973	HIDRAULIC CYLINDER 44,45 X 76,20 X 820 X 551	8	02
12	0511057772	SECURITY VALVE SET	9	04
13	0503011968	T ADAPTOR WITH GIRAT		02
14	0501053834	MALE QUICK COUPLING AGRICULTURAL WITH COVER - 1/2 NPT		04
15	0501081129	HOSE		04



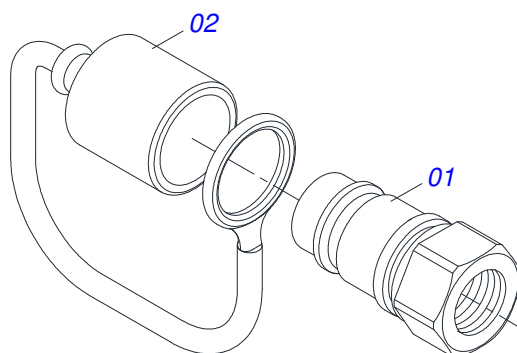
Item	Code	Description	See page	QT
01	0511069198	BODY SHIRT WITH MAKING		01
01A	0521010514	38,1 X 52,9 X 50 SLEEVE INTER		02
02	0521066404	44,45 X 772 TURNBUCKLE		01
03	0503010063	1" SELF-ALIGNING NUT		01
04	0503010042	2-214 N 3006-9B O'RING		01
05	0571019711	RING SUPPORT		01
06	0503010761	D-1750 SCRAPER RING		01
07	0503010002	1800 GREASE FITTING		02
08	0571019709	DETACHABLE COVER		01
09	0571019710	1.7" X 3.4" PISTON		01
10	0503017935	RING		01
11	0503017936	RING		01
12	0503017938	RING GUIDE		01
13	0503017937	GASKET		01
14	0503017940	8-337 BACK-UP RING		02
15	0503017939	2-337 N 3006-9B O' RING		02
16	0503018144	RING		01
17	0503030385	CYLINDER PLUG N-002		02
18	0511032784	HYDRAULIC CYLINDER REPAIR KIT		01



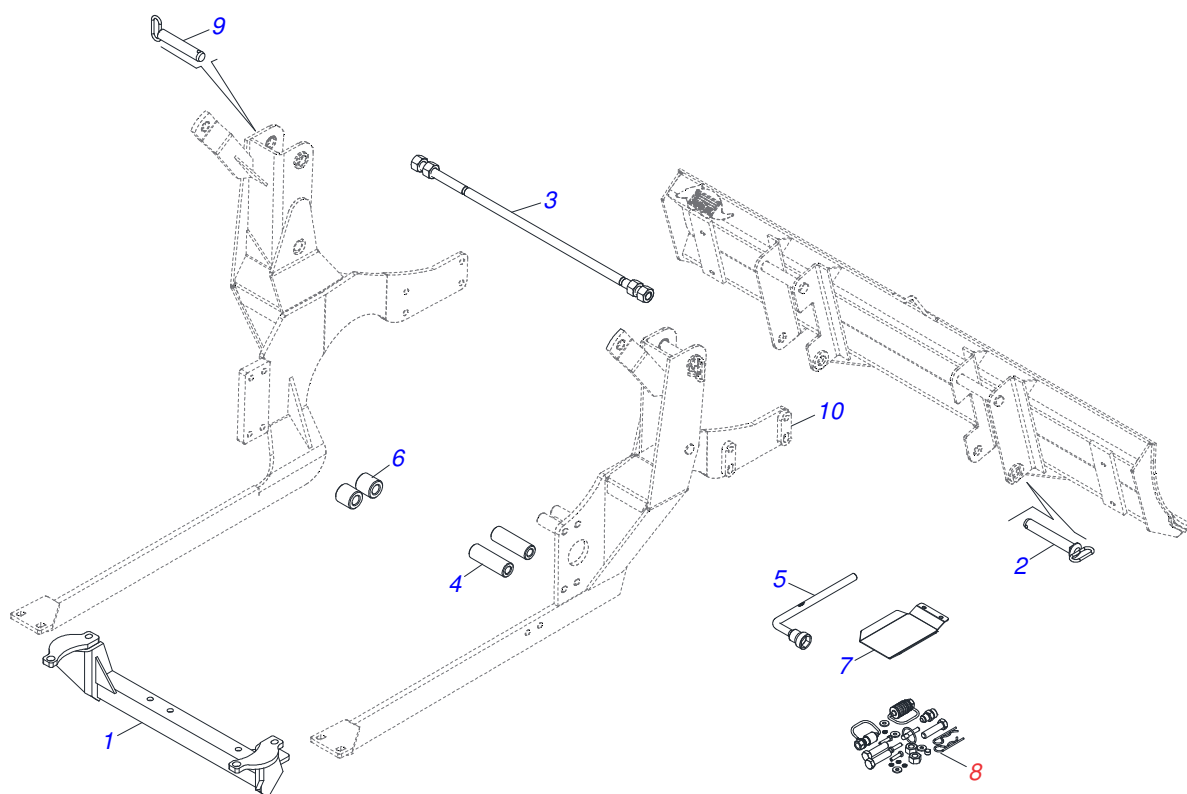
Item	Code	Description	See page	QT
01	0521066381	CYLINDER CASE 76,20 X 723		01
01A	0501110275	BUSHING COUPLING 75 X 38,1 X 50		02
02	0511065578	1.7" X 28.18" TURNBUCLE		01
03	0502012264	RING SUPPORT 1.75" X 3"		01
04	0503010761	D-1750 SCRAPER RING		01
05	0503010949	W2-2000-500 PK RING G.E		01
06	0503010343	2-334 N 3006-9B O'RING		01
07	0503011059	8-334 BACK-UP RING		01
08	0503010063	1" SELF-ALIGNING NUT		01
09	0503010002	1800 GREASE FITTING		02
10	0503030385	CYLINDER PLUG N-002		02
11	0503010042	2-214 N 3006-9B O'RING		01
12	0581010304	PISTON		01
13	0503018138	RING BS		02
14	0503018140	RING GUIDE		01
15	0503017937	GASKET		01
16	0502011899	MOBILE COVER		01
17	0511032725	HYDRAULIC CYLINDER REPAIR KIT		



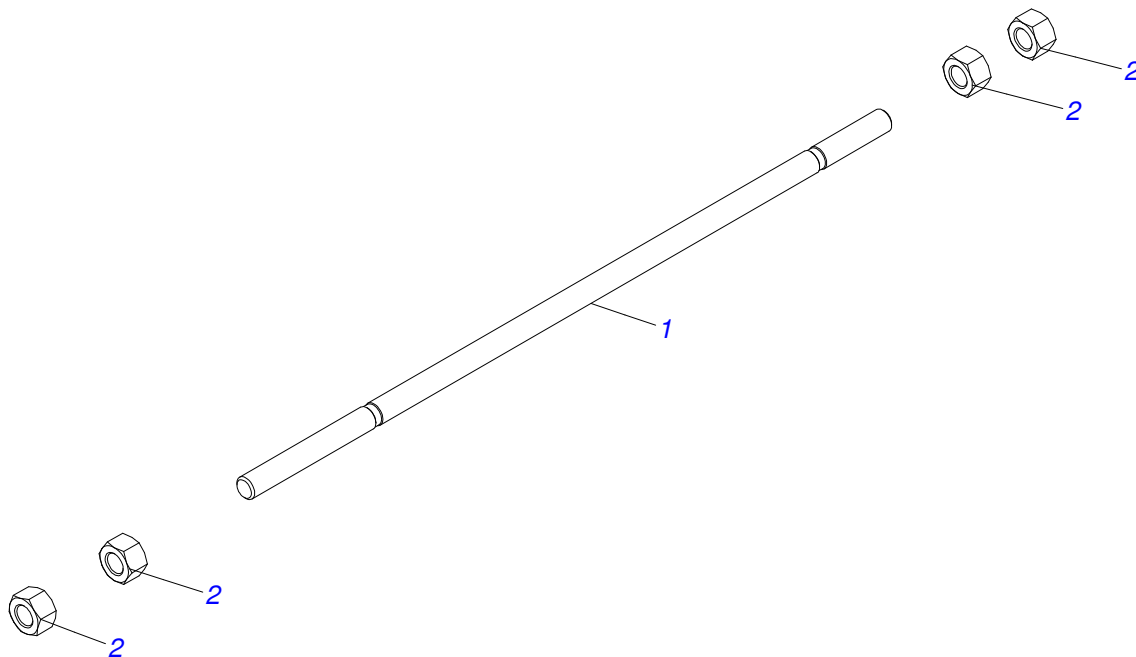
Item	Code	Description	See page	QT
01	0503018034	MALE KNEE JIC		01
02	0581014055	ADAPTER		01
03	0503016854	VALVE ASSY		01
04	0503010045	2-116 N 3006-9B O'RING		01
05	0581014054	BSP 1/2" NIPPLE		01
06	0503030385	CYLINDER PLUG N-002		01



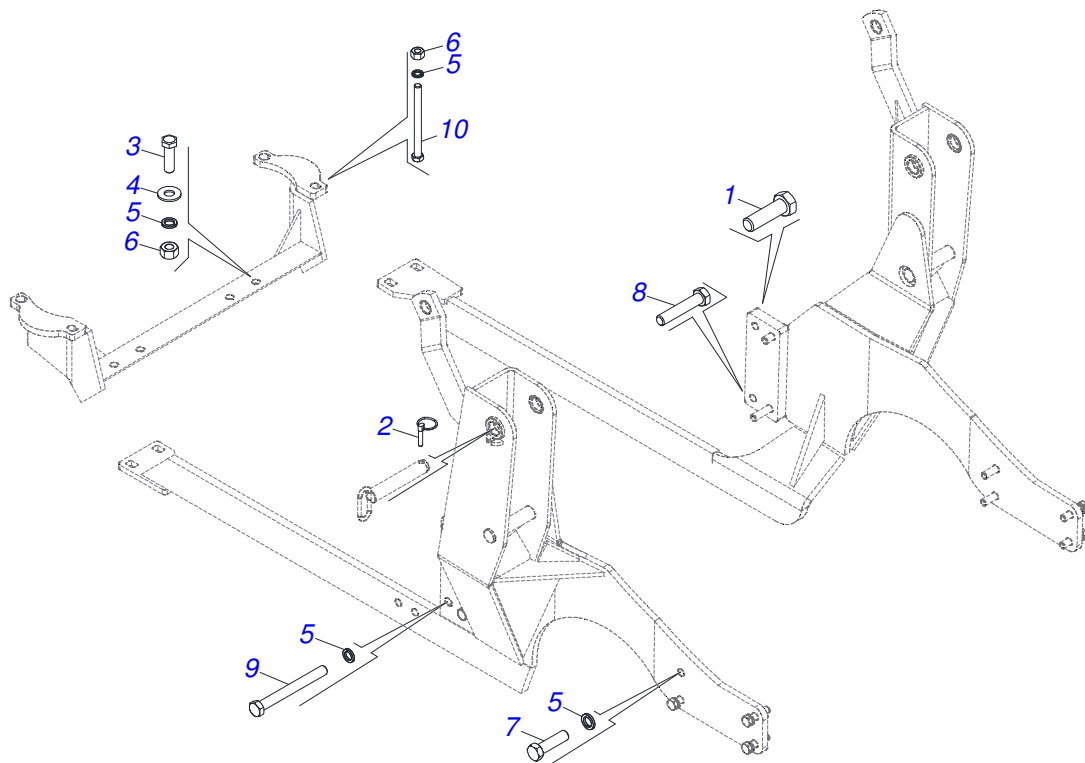
Item	Code	Description	See page	QT
01	0503011627	QUICK CONNECTION (MALE) AGR 1/2 NPT		01
02	0503011882	QUICK CONNECTION COVER		01



Item	Code	Description	See page	QT
01	0521060106	FRAME FIXER SUPORT		01
02	0521066515	37,20 X 240 ARTICULATION SHAFT WITH HANDLE		02
03	0511047399	1.1/4" X 40" ROD	12	01
04	0561010487	22,23 X 44,45 X 137 SLEEVE		02
05	0501061617	1" GANG BOLT WRENCH		01
06	0561010578	22,23 X 44,45 X 45 SLEEVE		02
07	0561010518	HOSE ASSY PROTECTOR		01
08	0501037973	PACKED PARTS	13	01
09	0511064410	1.5" X 8.1" COUPLING SHAFT		02
10	0561010484	FRAME BAR CHOCK		04



Item	Code	Description	See page	QT
001	0561010598	1.1/4 UNC 7FPP X 1140 ROD		01
002	0501010087	1.1/4" NUT		04



Item	Code	Description	See page	QT
01	0503013111	M20 X 2,5 X 65 BOLT		02
02	0503030430	7/16 X 2" PIN LOCK		04
03	0501010125	3/4" X 2-1/2" BOLT		04
04	0501010322	FLAT WASHER		04
05	0503010023	SPRING WASHER		23
06	0503010014	3/4" NUT		04
07	0503013112	M20 X 2,5 X 70 BOLT		08
08	0503013090	M20 X 2,5 X 100 BOLT		02
09	0503015049	M20 X 2,5 X 190 BOLT		02
10	0501010066	3/4" X 9" BOLT		04



www.marchesan.com.br



Technical Publications | Elaboration and Revision
MARINA PEREZ NIZA