

PCA - AGRICULTURAL FRONT LOADER

PCA 1200 VTRBH145A185-4

Code: 0501092429
Series: S-1207
Revision: 00
Date Revision: OUTUBRO/2019

PARTS CATALOGUE



MARCHESAN



PRODUCTS

Code	Description
0106111254	PCA1200 VTRBH145A185-4 ESPEC S-1207

ATTENTION: IMPORTANT

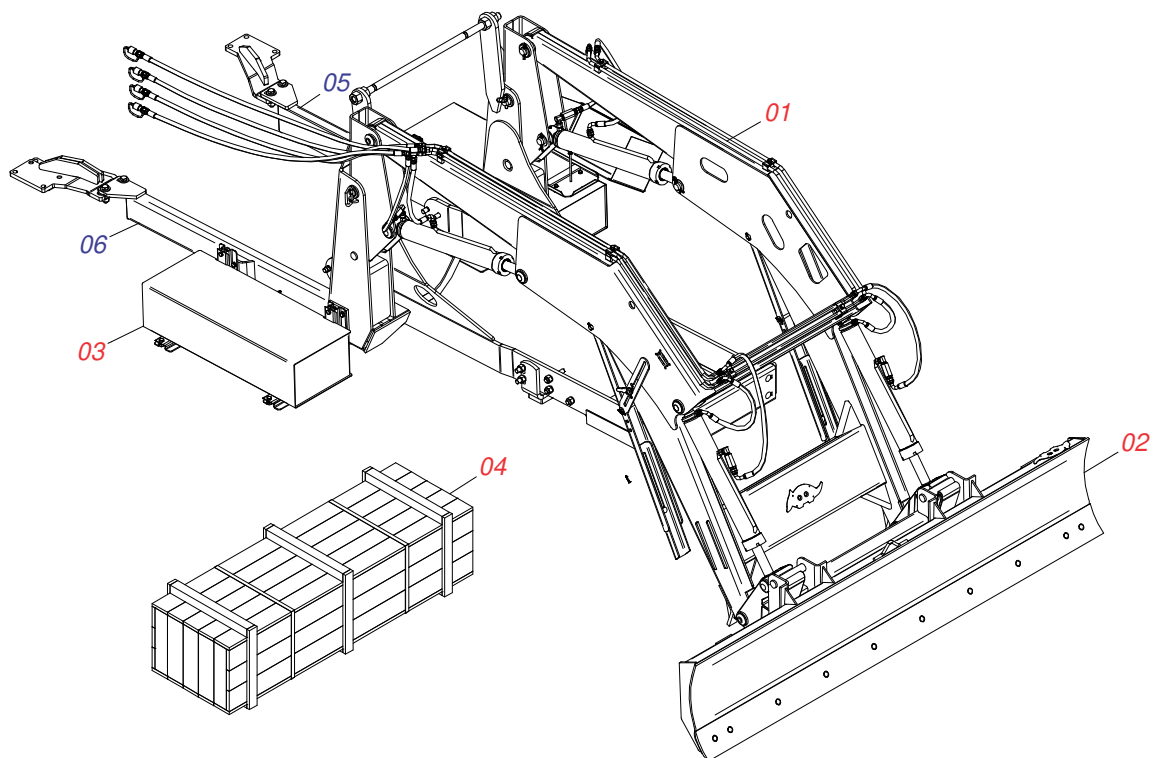
Marchesan S.A. reserves the right to improve and/or modify the technical features of its products, without obligation to do the same with those products already sold and without prior knowledge of the dealer or the consumer. The photos are only illustrative.



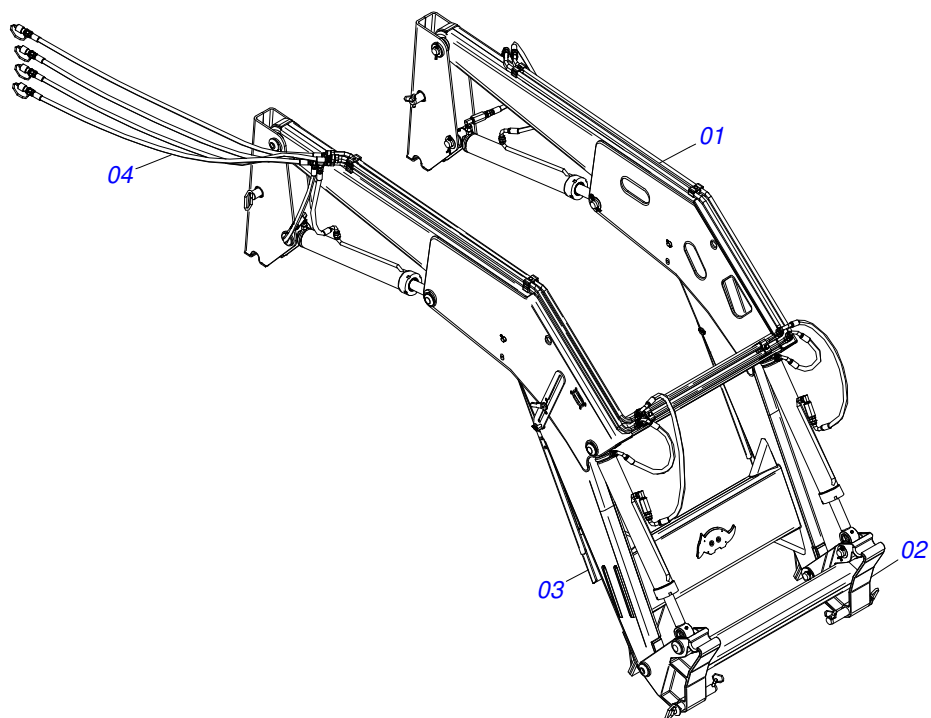
MARCHESAN

INDEX

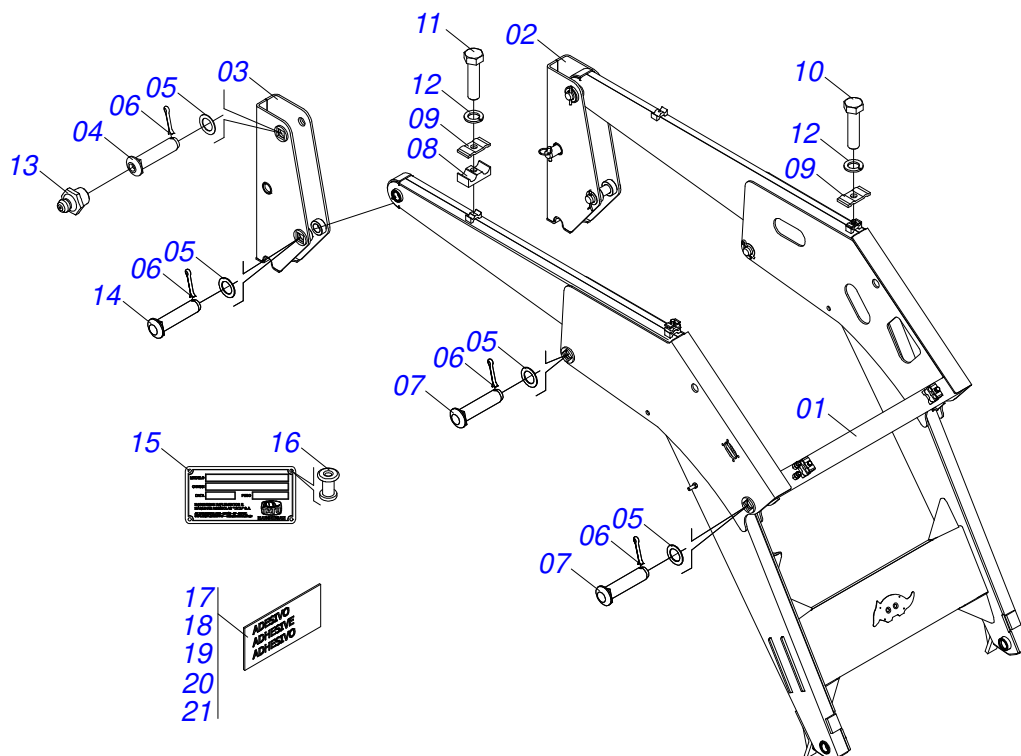
0106111254	PCA1200 VTRBH145A185-4 ESPEC S-1207	1
0511046531	FULL MOBILE SUPPORT	2
0909093573	MOBILE SUPPORT GUIDE ASSY	3
0909093580	ARTICULATION	4
0909098581	SUPPORT ASSEMBLE	5
0909093594	SYSTEM HYDRAULIC	6
0511025880	BOX WITH COMPONENTS	7
0501038367	PACKED PARTS	8
0511022965	BOX WITH COMPONENTS	9
0501036451	PACKED PARTS	10
0511057976	HYDRAULIC CYLINDER	11
0511057975	HYDRAULIC CYLINDER	12
0511057771	R.7/8UNF - SAFETY VALVE	13
0501053834	MALE QUICK COUPLER	14
0511045185	2600MM DOZER BLADE ASSY	15
0511044706	1.1/4 NC X 950 FULL ROD	16
0909094133	SET LABEL ADHESIVE	17



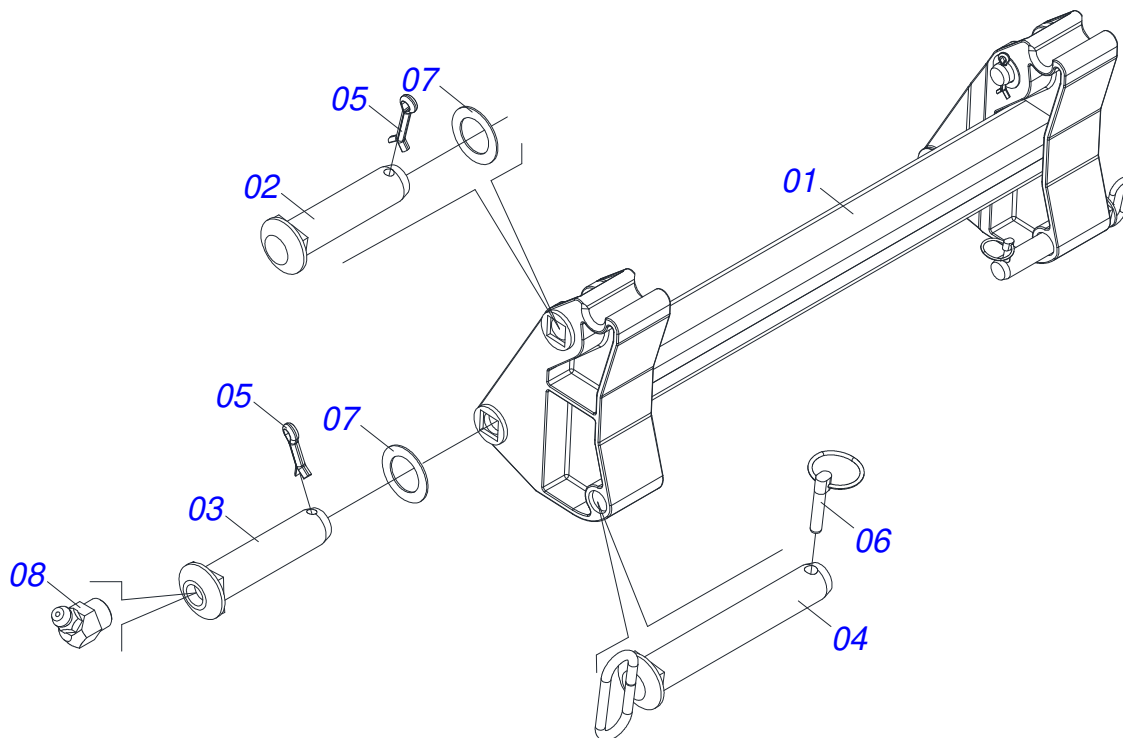
Item	Code	Description	See page	QT
001	0511046531	FULL MOBILE SUPPORT	2	01
002	0511045185	2600MM DOZER BLADE ASSY	15	01
003	0511022965	BOX WITH COMPONENTS	9	01
004	0511025880	BOX WITH COMPONENTS	7	01
005	0511069273	LEFT FRAME		01
006	0521062194	RIGHT FRAME		01



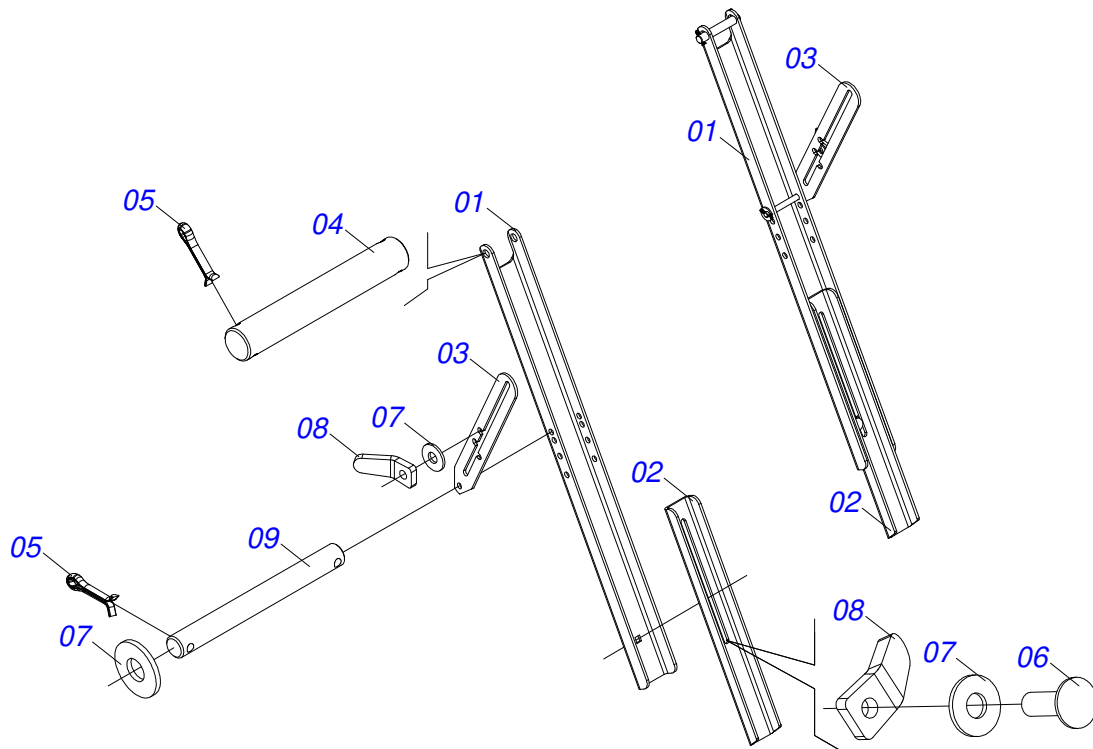
Item	Code	Description	See page	QT
01	0909093573	MOBILE SUPPORT GUIDE ASSY	3	01
02	0909093580	ARTICULATION	4	01
03	0909098581	SUPPORT ASSEMBLE	5	01
04	0909093594	SYSTEM HYDRAULIC	6	01



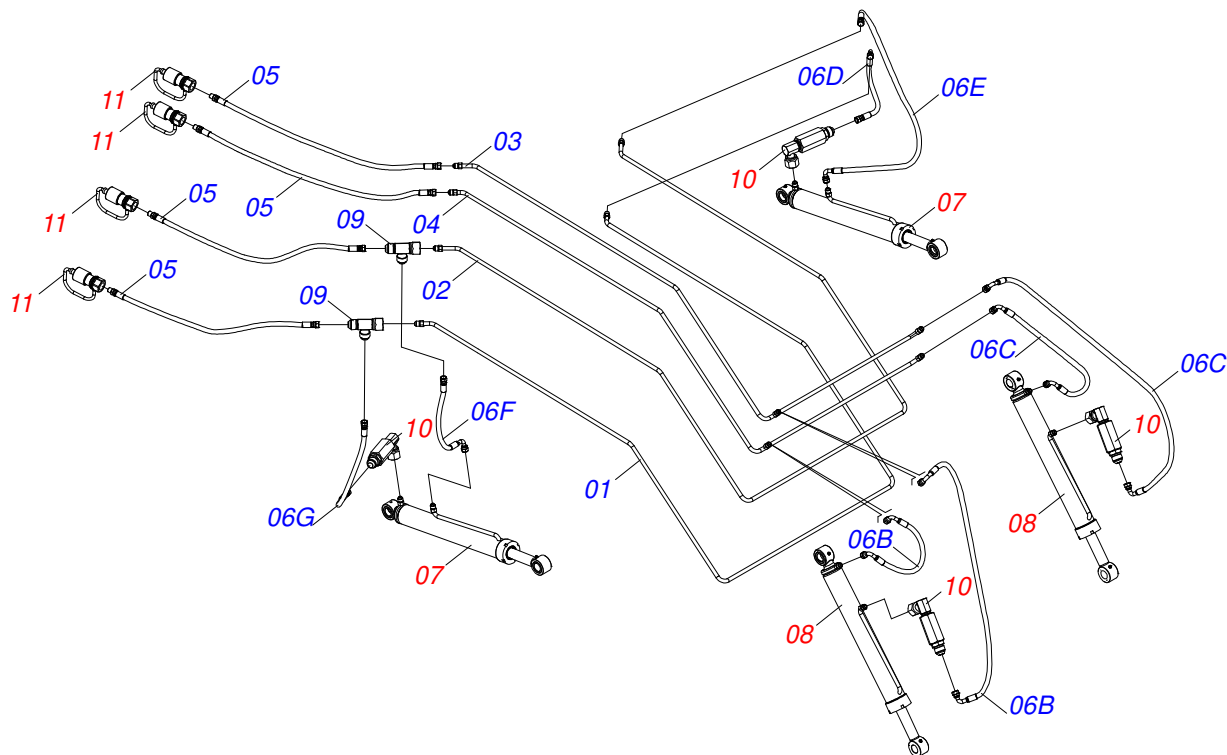
Item	Code	Description	See page	QT
01	0511069377	MOBILE SUPPORT		01
02	0511069379	MOBILE TOWER, RIGHT		01
03	0511069380	MOBILE TOWER, LEFT		01
04	0521012870	1.46" X 6.18" PIVOT SHAFT		02
05	0511019685	FLAT WASHER		06
06	0503010534	3/8 X 2-1/2 COTTERPIN		06
07	0521012868	1.4" X 5" PIVOT SHAFT		04
08	0502010477	HOSE CLAMP		04
09	0531011180	UPPER BODY CLIP		06
10	0503011102	BOLT 7/16 UNC X 1.1/4 C S G.5 ZN		02
11	0503012555	SCREW 7/16 UNC X 2 CS RT G.7 ZN		04
12	0503010180	7/16" SPRING WASHER		06
13	0503010002	1800 GREASE FITTING		02
14	0521012869	COUPLING SHAFT		02
15	0503034003	SERIAL NUMBER TAG 61 X 118		01
16	0503010001	3.2 X 5.5 RIVET		04
17	0503062240	ADHESIVE LABELS SET		01
18	0503031087	ADHESIVE LABEL		01
19	0503031428	READ MANUAL DECAL		01
20	0503031827	LUBRICATE AND RETIGHTEN DAILY DECAL		01
21	0503034078	LIFTING POINTS DECAL		03



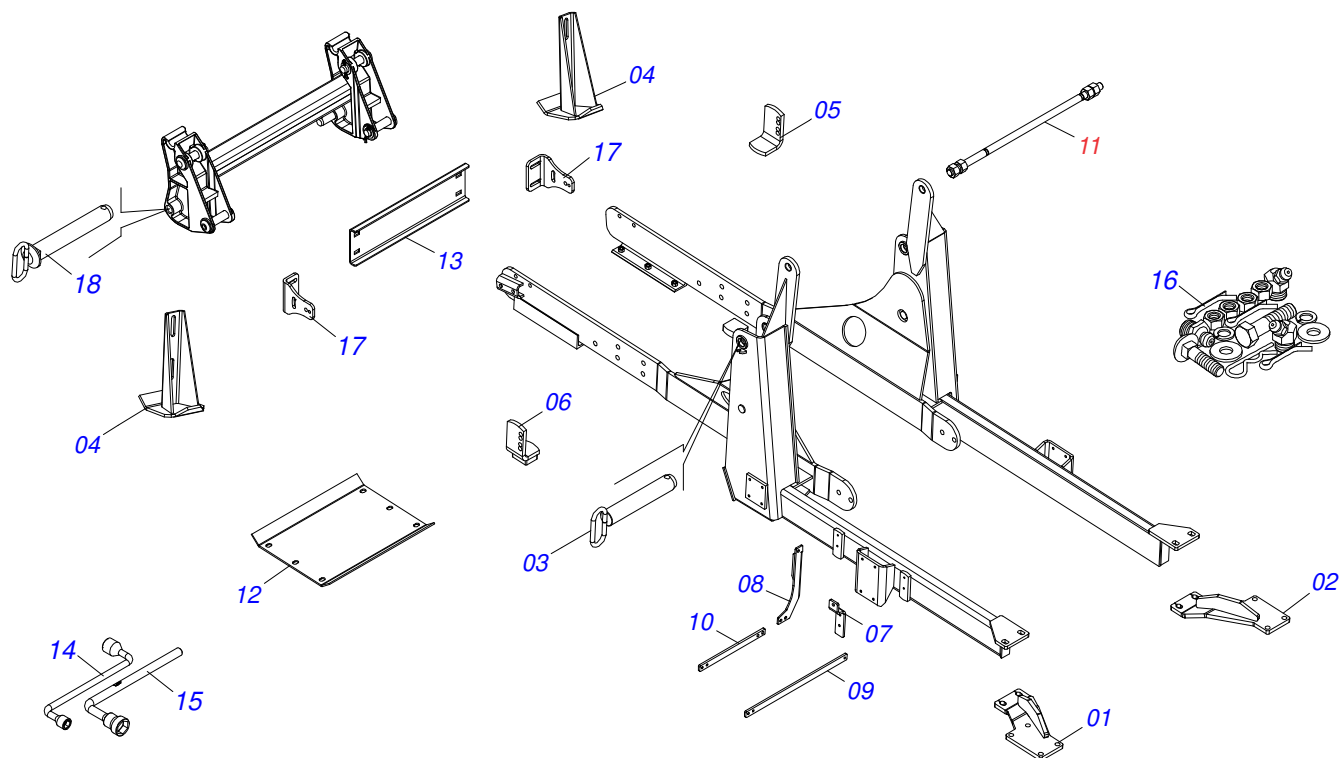
Item	Code	Description	See page	QT
01	0501069939	PIVOT SUPPORT		01
02	0521012869	COUPLING SHAFT		02
03	0521012870	1.46" X 6.18" PIVOT SHAFT		02
04	0521066515	37,20 X 240 ARTICULATION SHAFT WITH HANDLE		02
05	0503010534	3/8 X 2-1/2 COTTERPIN		04
06	0503030430	7/16 X 2" PIN LOCK		02
07	0511019685	FLAT WASHER		04
08	0503010003	1845 GREASE FITTING		02



Item	Code	Description	See page	QT
01	0561016401	PLOUGH SUPPORT BODY	02	
02	0561016619	COMPLEMENTON REST	02	
03	0511019634	CONTROL LOCK	02	
04	0511013598	3/4" X 4.7" COUPLING SHAFT	02	
05	0503010071	3/16" X 1" COTTERPIN	06	
06	0503014378	1/2" X 1-1/2" BOLT	02	
07	0511017302	FLAT WASHER	06	
08	0561016329	LATCH HOLDER REST PCA	06	
09	0521012823	COUPLING SHAFT	02	

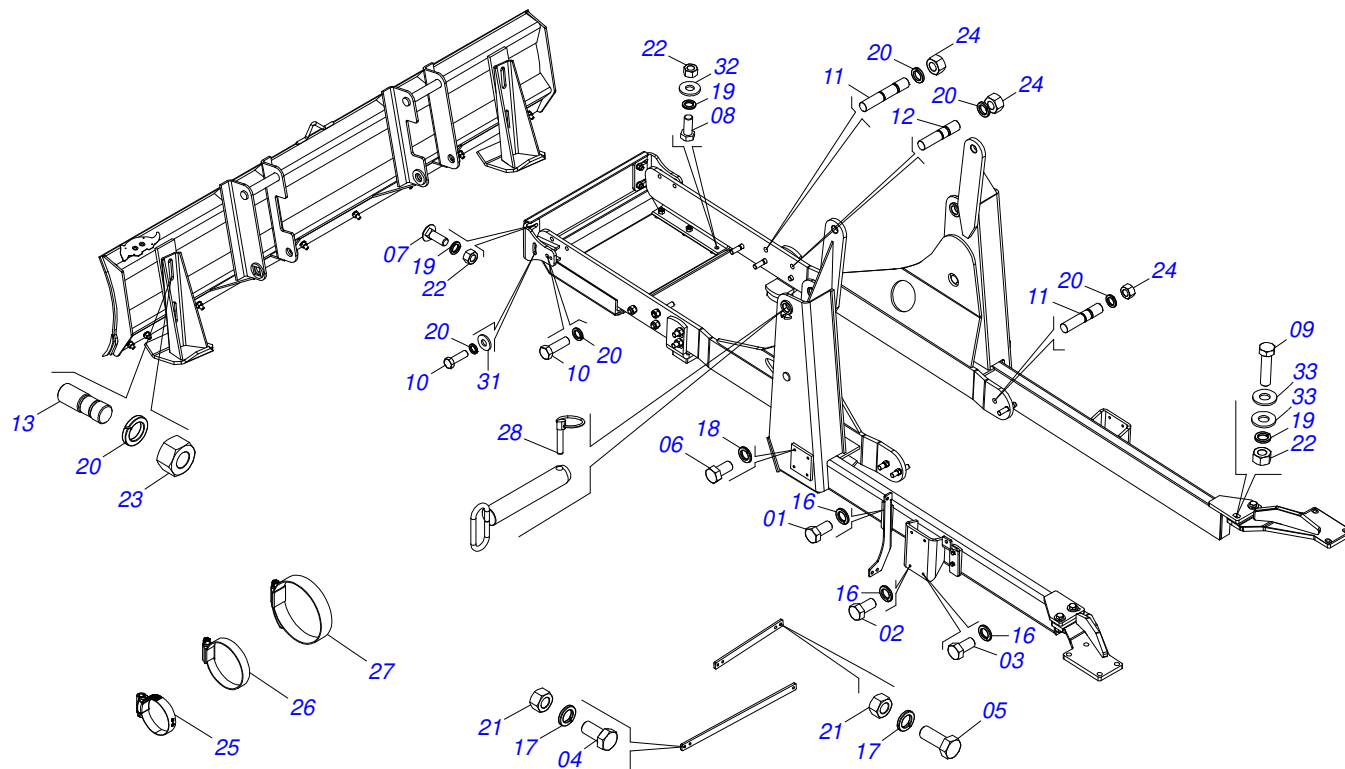


Item	Code	Description	See page	QT
01	0511069408	OUTER OIL TUBE		01
02	0511069409	INNER OIL TUBE		01
03	0511069648	OIL TUBE DISTRIBUTOR		01
04	0511069649	OIL TUBE DISTRIBUTOR		01
05	0501080001	1/2" X 177" TR-TM HOSE ASSY		04
06	0501057960	HOSE SET MOBILE SUPPORT		01
06A	0503033158	PLASTIC BAG		01
06B	0501081381	TC-TC HOSE		02
06C	0501081382	TC-TC HOSE		02
06D	0501081511	HOSE 1/2 X 700 TC-TC		01
06E	0501080123	1/2 X 800 TR-TC HOSE ASSY		01
06F	0501080092	1/2" X 700 TR-TC HOSE		01
06G	0501080109	1/2" X 800 TR-TR HOSE		01
07	0511057976	HYDRAULIC CYLINDER	11	02
08	0511057975	HYDRAULIC CYLINDER	12	02
09	0503012341	T 7/8" ADAPOR GIRAT NUT		02
10	0511057771	R.7/8UNF - SAFETY VALVE	13	04
11	0501053834	MALE QUICK COUPLER	14	04

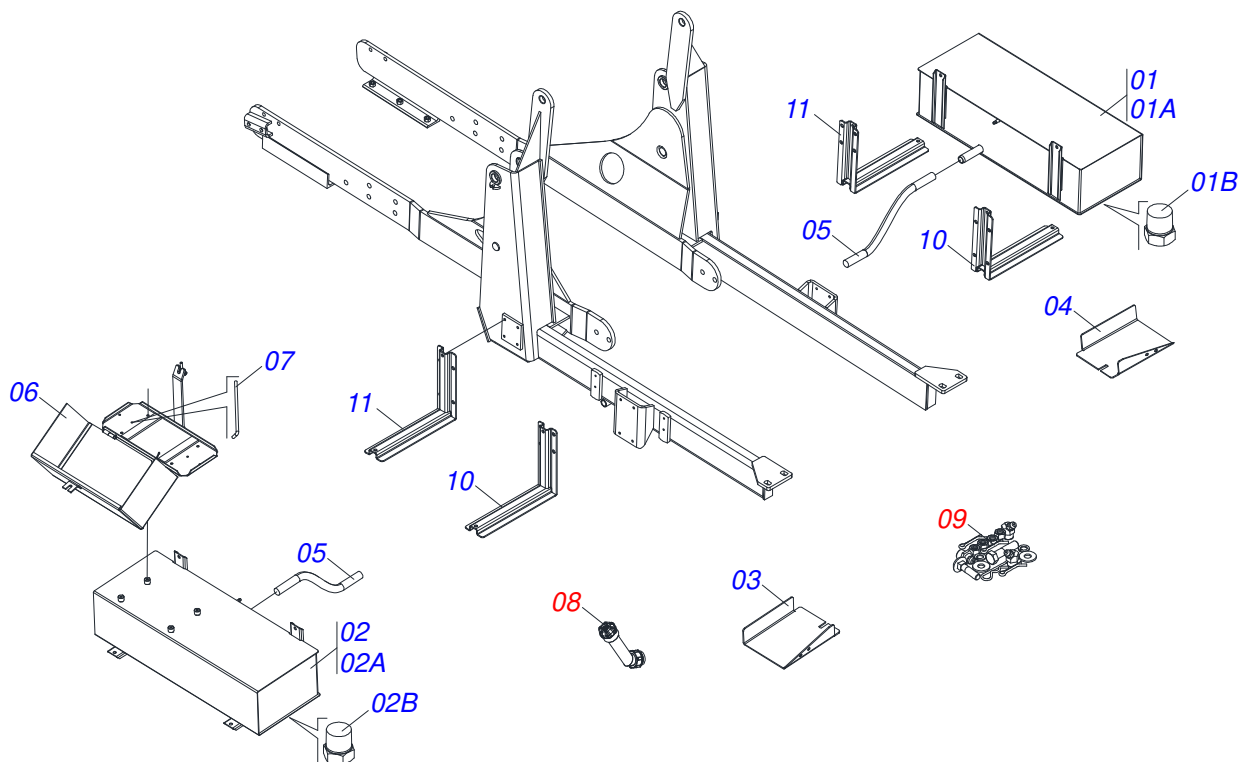


Item	Code	Description	See page	QT
01	0501064839	RH FRAME BRACKET		01
02	0501064840	LH FRAME BRACKET		01
03	0511064410	1.5" X 8.1" COUPLING SHAFT		02
04	0501063411	ESTABILIZER BRACKET		02
05	0511014395	FRONT AXLE BEATER		01
06	0511014396	FRONT AXLE BEATER		01
07	0551017901	SUPPORT FIXER RIGHT		01
08	0551017880	LEFT SUPPORT FIXER		01
09	0551017904	LOCK RIGHT		01
10	0551017905	LOCK LEFT		01
11	0511044706	1.1/4 NC X 950 FULL ROD	16	01
12	0541017381	FRAME LOCK		01
13	0541011011	FRONT PROTECTOR PUMP		01
14	0501068213	5/8" WRENCH DOUBLE		01
15	0501061617	1" GANG BOLT WRENCH		01
16	0501038367	PACKED PARTS	8	01
17	0571010158	FIXER GUIDE MOBILE SUPPORT		02
18	0521066515	37,20 X 240 ARTICULATION SHAFT WITH HANDLE		02

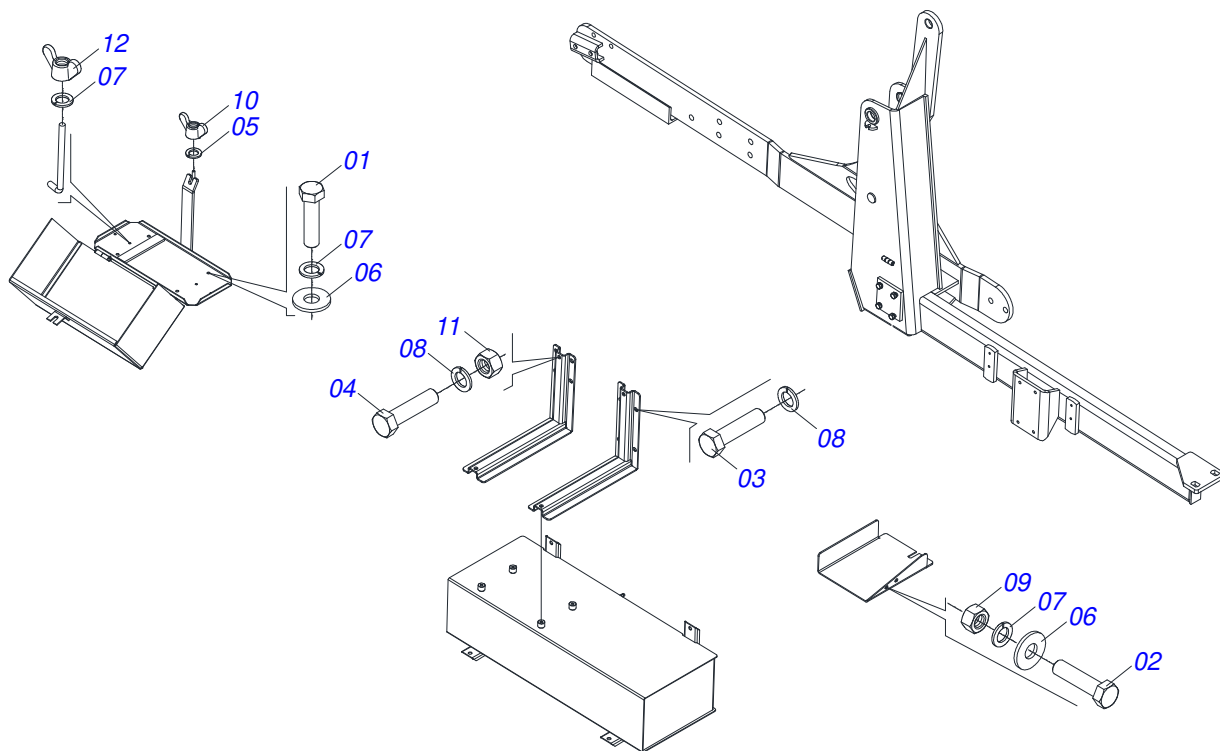
PACKED PARTS



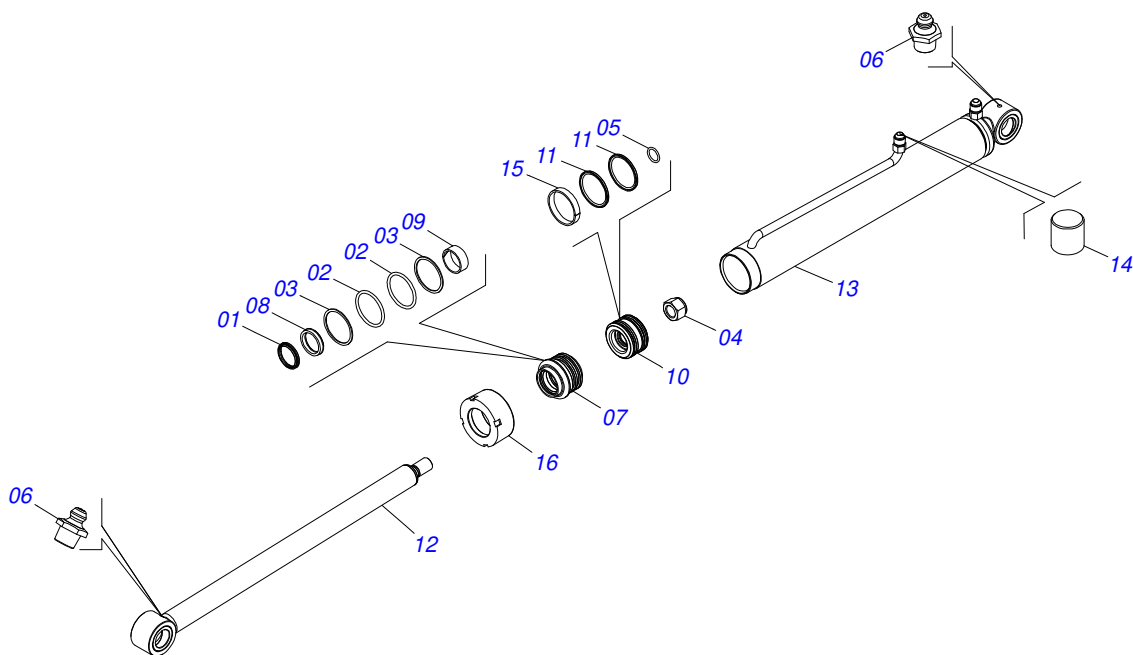
Item	Code	Description	See page	QT
01	0503011334	BOLT 3/8 UNC X 3/4 CS G.5 ZN		04
02	0503010751	C3/8" X 1.1/4" HEX BOLT G.5		01
03	0503014746	M10 X 1,5 X 40 BOLT		03
04	0503010834	1/2 X 1 BOLT		02
05	0501010161	1/2" X 1.1/4" BOLT		02
06	0503015106	5/16 UNF X 3/4 C S G.5 ZN BOLT		04
07	0503012407	5/8" X 1-1/2" BOLT		04
08	0503011267	BOLT 5/8 UNC X 1.1/2 C S G.5 ZN		06
09	0501010100	SCREW 5/8 UNC X 2 CS G.5 ZN		06
10	0501010500	3/4"X3"BOLT		04
11	0501010603	3/4" X 3.74" STUD		10
12	0511014160	3/4" X 4.52" STUD		04
13	0561016756	3/4 UNC X 3/4 UNC X 56 PRISONER		04
15	0511017302	FLAT WASHER		04
16	0503010025	3/8" SPRING WASHER		04
17	0503010019	1/2" SPRING WASHER		10
18	0503010179	LOCK WASHER		04
19	0503010027	5/8" SPRING WASHER		19
20	0503010023	3/4" SPRING WASHER		18
21	0503010060	1/2" NUT		02
22	0503010013	5/8" NUT		10
23	0503010014	3/4" NUT		08
24	0503010335	3/4"NUT		14
25	0503010184	CLAMP		02
26	0503010243	CLAMP		03
27	0503010246	CLAMP		01
28	0503030430	7/16 X 2" PIN LOCK		04
31	0501010322	FLAT WASHER		12
32	0501012140	FLAT WASHER		12
33	0501012140	FLAT WASHER		06



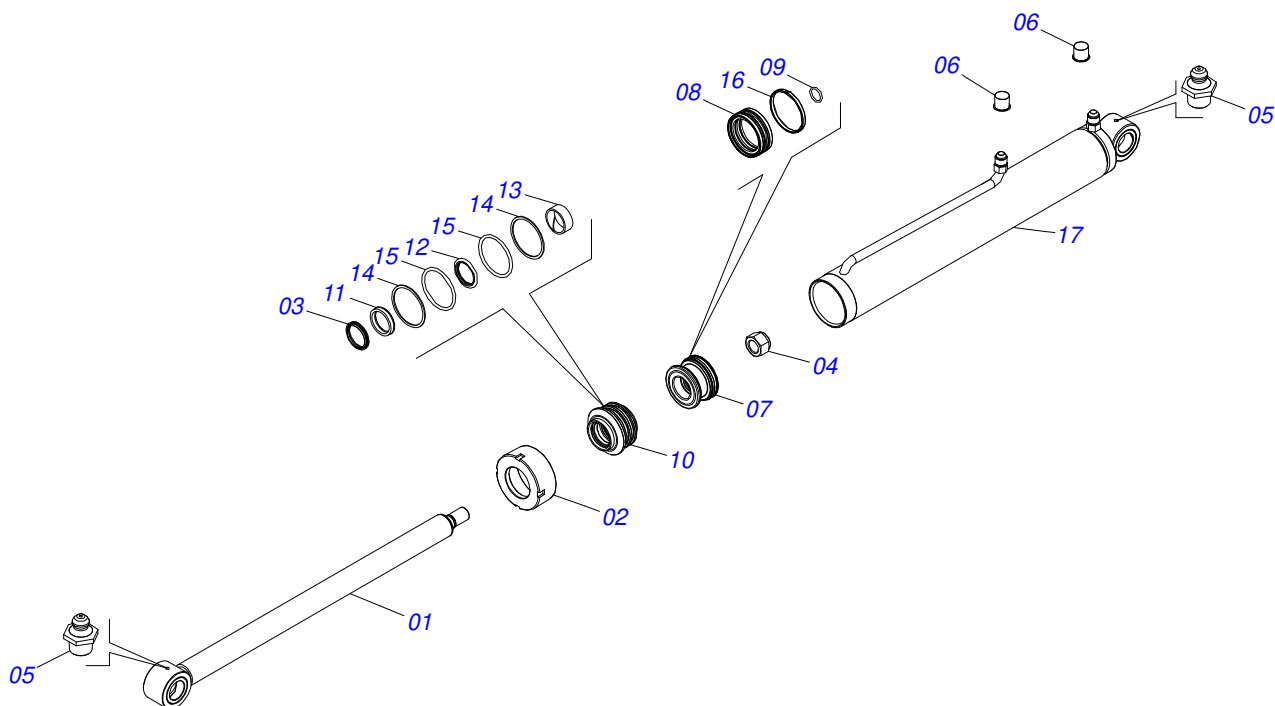
Item	Code	Description	See page	QT
01	0501057985	RIGHT TUBE TANK OIL		01
01A	0511069294	RIGHT AUXILIARY TANK		01
01B	0503031604	1/2" BSP PLUG		01
02	0501057986	LEFT TUBE TANK OIL		01
02A	0511069295	LEFT AUXILIARY TANK		01
02B	0503031604	1/2" BSP PLUG		01
03	0551017061	RIGHT TUBE TANK OIL PROTECTION		01
04	0551017062	LEFT TUBE TANK OIL PROTECTION		01
05	0503012733	AUXILIARY TANK TUBE		02
06	0501057996	BATTERY BOX		01
07	0541014241	BATTERY FIXER		02
08	0501057995	TANK COVER EXTENSION		01
09	0501036451	PACKED PARTS	10	01
10	0511069293	REAR FIXER		02
11	0511069292	REAR FIXER		02



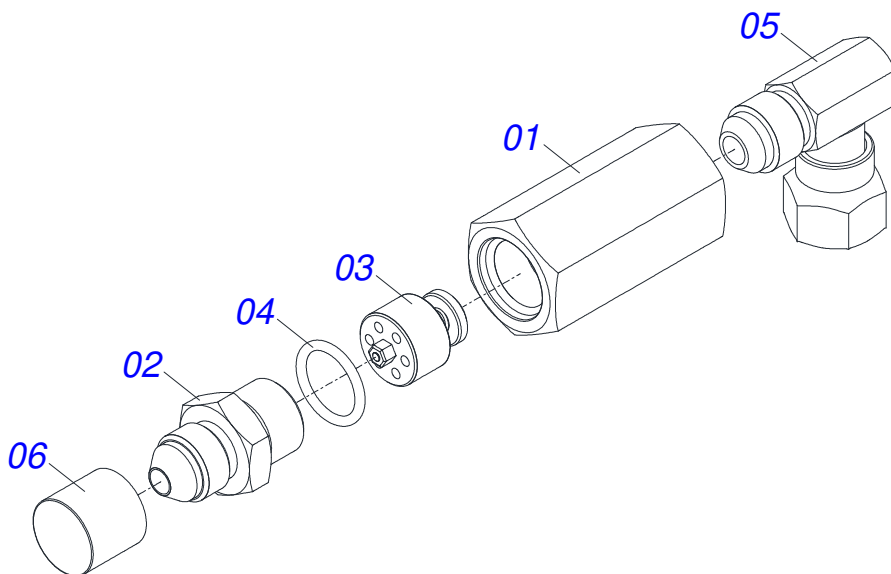
Item	Code	Description	See page	QT
01	0503010256	3/8" X 3/4" BOLT		04
02	0503010751	C3/8" X 1.1/4" HEX BOLT G.5		04
03	0503011401	1/2" X 3/4" BOLT		16
04	0503010834	1/2 X 1 BOLT		08
05	0501010694	FLAT WASHER		02
06	0501010984	FLAT WASHER		08
07	0503010025	3/8" SPRING WASHER		04
08	0503010019	1/2" SPRING WASHER		24
09	0503010026	3/8" NUT		04
10	0503010499	5/16" UNC BUTTERFLY NUT		02
11	0503010060	1/2" NUT		08
12	0503010209	3/8" UNC BUTTERFLY NUT		01



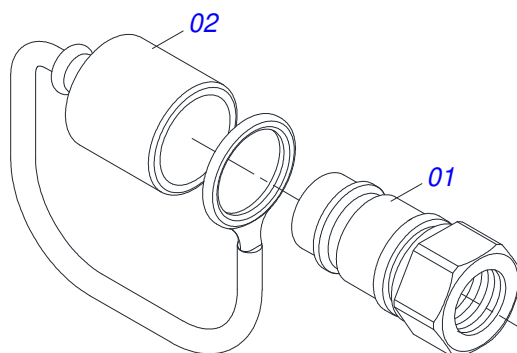
Item	Code	Description	See page	QT
01	0503010761	D-1750 SCRAPER RING		01
02	0503010343	2-334 N 3006-9B O'RING		02
03	0503011059	8-334 BACK-UP RING		02
04	0503010063	1" SELF-ALIGNING NUT		01
05	0503010042	2-214 N 3006-9B O'RING		01
06	0503010002	1800 GREASE FITTING		02
07	0581010301	RING SUPPORT		01
08	0503017937	GASKET		01
09	0503017938	RING GUIDE		01
10	0581010397	1.7" X 3.4" PISTON		01
11	0503018138	RING BS		02
12	0521066466	1.7" X 28.18" TURNBUCLE		01
13	0521066465	CYLINDER CASE 76,20 X 723		01
14	0503030387	PLUG		02
15	0503010992	W2-3000-500 PK RING G.E		01
16	0502011899	MOBILE COVER		01
17	0511033692	HYDRAULIC CYLINDER REPAIR KIT		01



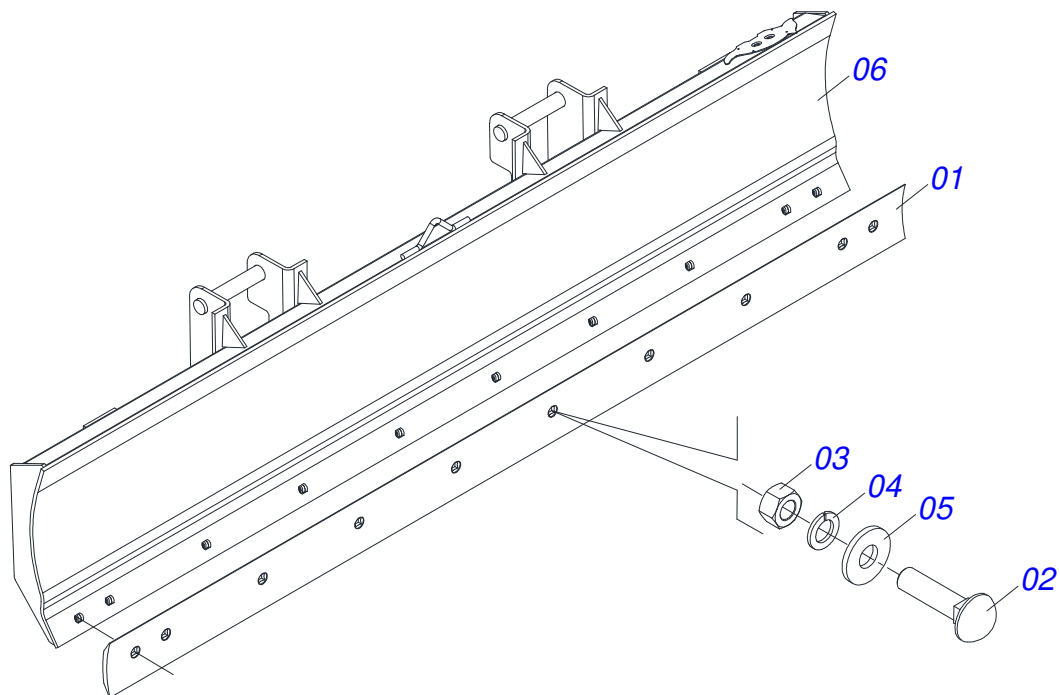
Item	Code	Description	See page	QT
01	0521066410	X 22"TURNBUCLE		01
02	0571019709	DETACHABLE COVER		01
03	0503010761	D-1750 SCRAPER RING		01
04	0503010063	1" SELF-ALIGNING NUT		01
05	0503010002	1800 GREASE FITTING		02
06	0503030387	PLUG		02
07	0571019710	1.7" X 3.4" PISTON		01
08	0503017935	RING		01
09	0503010042	2-214 N 3006-9B O'RING		01
10	0571019711	RING SUPPORT		01
11	0503017937	GASKET		01
12	0503017936	RING		01
13	0503017938	RING GUIDE		01
14	0503017940	8-337 BACK-UP RING		02
15	0503017939	2-337 N 3006-9B O' RING		02
16	0503018144	RING		01
17	0511069348	2.4" X 37" CYLINDER CASE		01
18	0511032281	HYDRAULIC CYLINDER REPAIR KIT		01



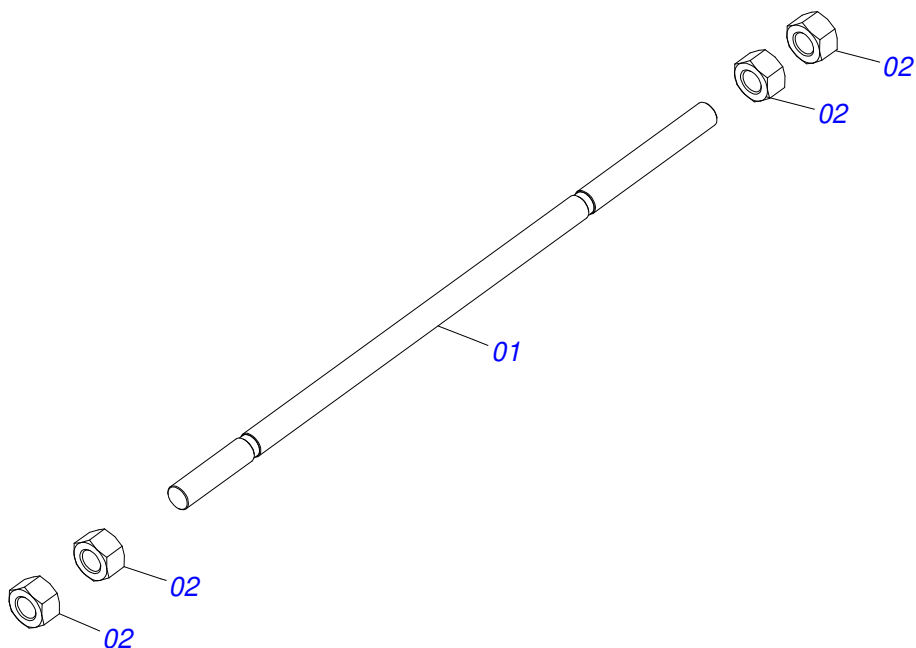
Item	Code	Description	See page	QT
01	0503018033	37 X R.7/8 UNF 90° JIC MALE CONNECTOR WITH ROTATING NUT		01
02	0581014053	1/2 BSP X 7/8 UNF JIC X 64 ADAPTER		01
03	0503016854	VALVE ASSY		01
04	0503010045	O'RING		01
05	0581014052	1/2 BSP X 7/8 UNF JIC X 43 NIPLE		01
06	0503030387	PLUG		01



Item	Code	Description	See page	QT
01	0503011627	MALE QUICK COUPLER AGR 1/2 NPT		01
02	0503011882	MALE QUICK COUPLER CAP		01



Item	Code	Description	See page	QT
01	0622360011	2600 SCRAPER REVERSIBLE		01
02	0501012240	BOLT		08
03	0503010013	5/8" NUT		08
04	0503011445	SPRING WASHER		08
05	0501012140	FLAT WASHER		08
06	0511067600	DOZER BLADE		01



Item	Code	Description	See page	QT
01	0541019517	1.1/4" ROD		01
02	0501010087	1.1/4" NUT		04



05.03.06.2222



05.03.03.3429



05.03.03.1428



05.03.03.1087



05.03.03.4003



05.03.03.1827

Item	Code	Description	See page	QT
01	0503062222	SET LABEL ADHESIVE		01
02	0503031087	ADHESIVE LABEL		01
03	0503031428	READ MANUAL DECAL		01
04	0503031827	LUBRICATE AND RETIGHTEN DAILY DECAL		01
05	0503034003	SERIAL NUMBER TAG 61 X 118		01
06	0503033429	ADHESIVE LABEL		01



MARCHESAN

Technical Publications | Elaboration and Revision

LUIZ CANDIDO

www.marchesan.com.br

