

PARTS CATALOG

PCA - AGRICULTURAL FRONT LOADER

PCA 800 VTR BM110/125I-4 BT SC SL

Code: 0501092428



Series: S-1007

Rev.: 00

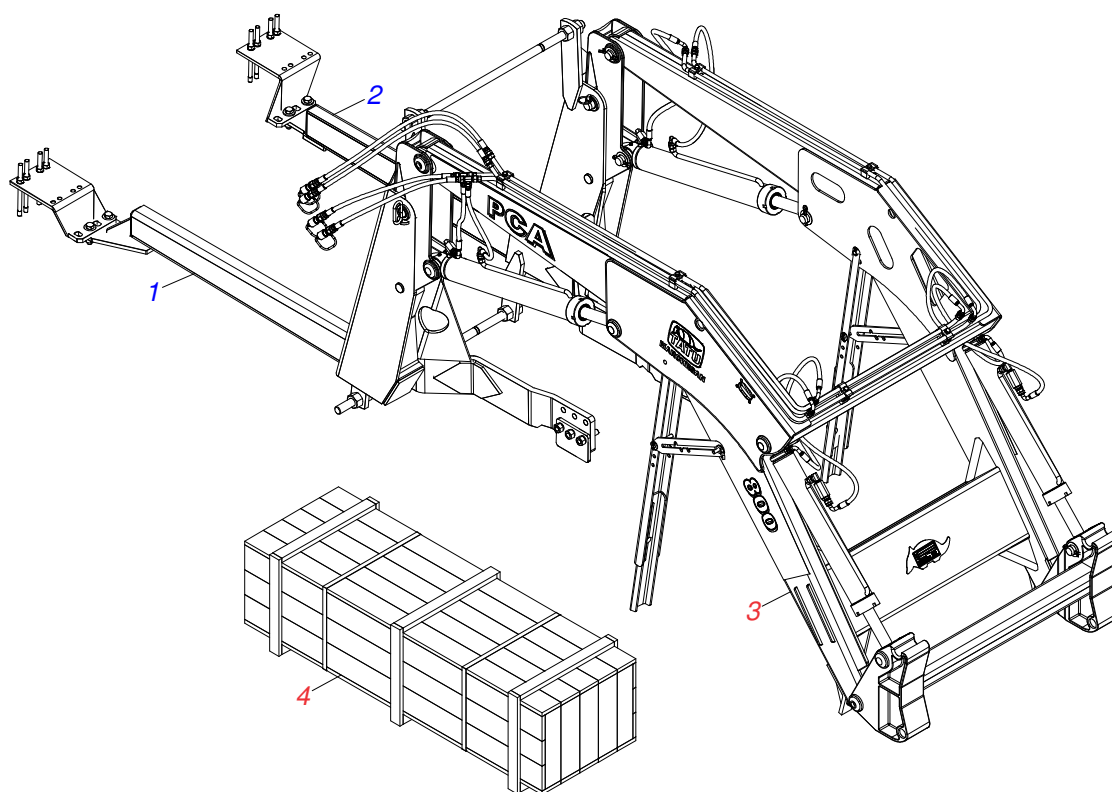
Date Rev.: SETEMBRO/2019

ORIGINAL PARTS
TATU

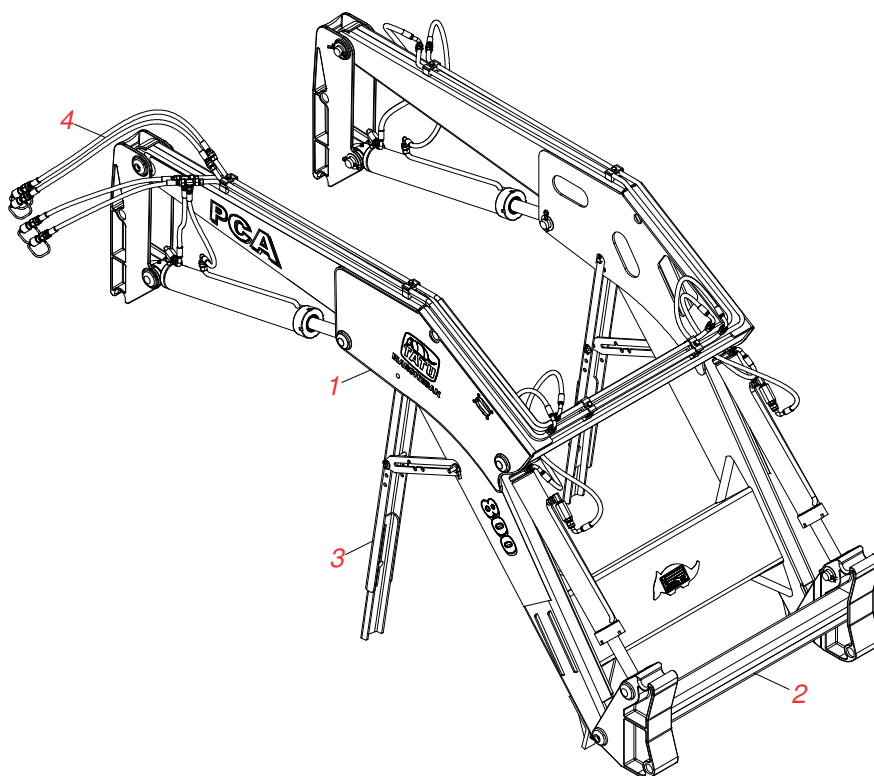


INDEX

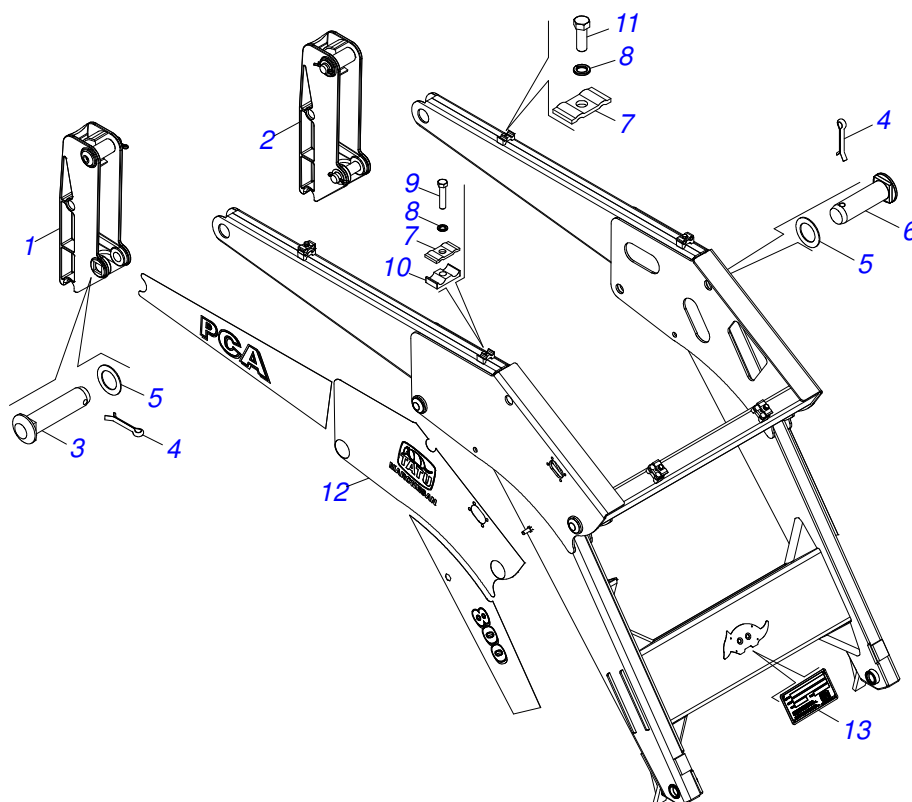
0106110878	PCA 800 VTR BM 110/125I-4 BT SC SL	1
0511046454	COMPLETE MOVEL SUPPORT - PCA 800 BT SC	2
0909095429	MOBILE SUPPORT / TOWER	3
0909095428	ARTICULATION	4
0909092667	ADJUSTABLE REST OF MOVABLE SUPPORT	5
0511043382	DOZER BLADE 2400 - PCA 800	6
0909095430	HYDRAULIC CIRCUIT	7
0511057973	HIDRAULIC CYLINDER 44,45 X 76,20 X 820 X 551	8
0511057974	44,45 X 85,72 X 870 X 593 HYDRAULIC CYLINDER	9
0511057772	SECURITY VALVE SET	10
0501053834	MALE QUICK COUPLING AGRICULTURAL WITH COVER - 1/2 NPT	11
0511023125	BOX WITH COMPONENTS	12
0501043212	ROD 1.1/4" NC X 3.818" ASSY	13
0501036656	PACKED PARTS	14



Item	Code	Description	See page	QT
001	0511069360	RIGHT FRAME		01
002	0511069361	LEFT FRAME PCA		01
003	0511046454	COMPLETE MOVEL SUPPORT - PCA 800 BT SC	2	01
004	0511023125	BOX WITH COMPONENTS	12	01

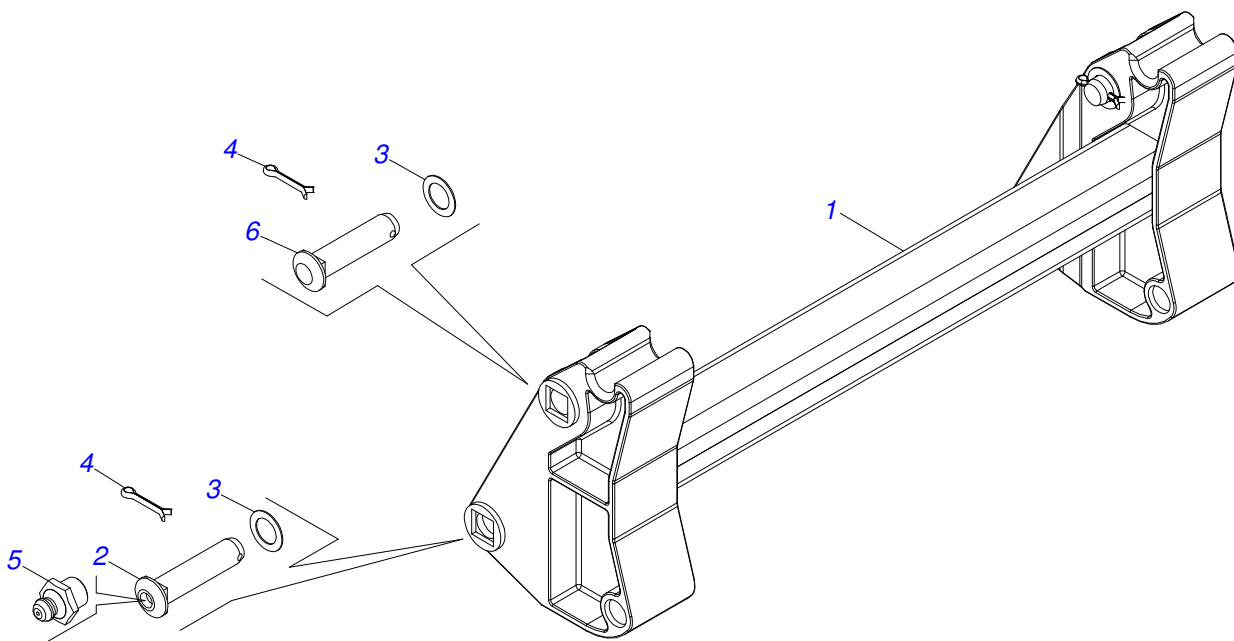


Item	Code	Description	See page	QT
01	0909095429	MOBILE SUPPORT / TOWER	3	01
02	0909095428	ARTICULATION	4	01
03	0909092667	ADJUSTABLE REST OF MOVABLE SUPPORT	5	01
04	0909095430	HYDRAULIC CIRCUIT	7	01

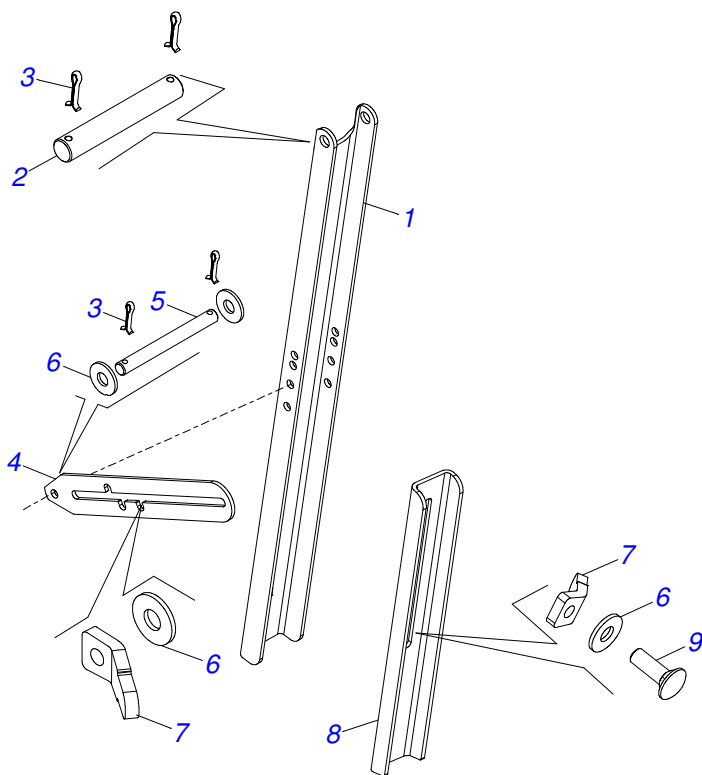


Item	Code	Description	See page	QT
01	0502012472	MOBILE TOWER		01
02	0502012473	LEFT MOBILE TOWER		01
03	0521012869	COUPLING SHAFT		04
04	0503010534	3/8 X 2-1/2 COTTERPIN		08
05	0511019685	FLAT WASHER		08
06	0521012868	1.4" X 5" PIVOT SHAFT		04
07	0531011180	UPPER BODY CLIP		06
08	0503010180	7/16" SPRING WASHER		06
09	0503012555	7/16" X 2" BOLT		04
10	0502010477	UPPER CLIP		04
11	0503011102	PARAFUSO 7/16 UNC X 1.1/4 C S G.5		02
12	0503062238	SET LABEL ADHESIVE		01
13	0503034003	ALUMINUM IDENTIFICATION LABEL		01

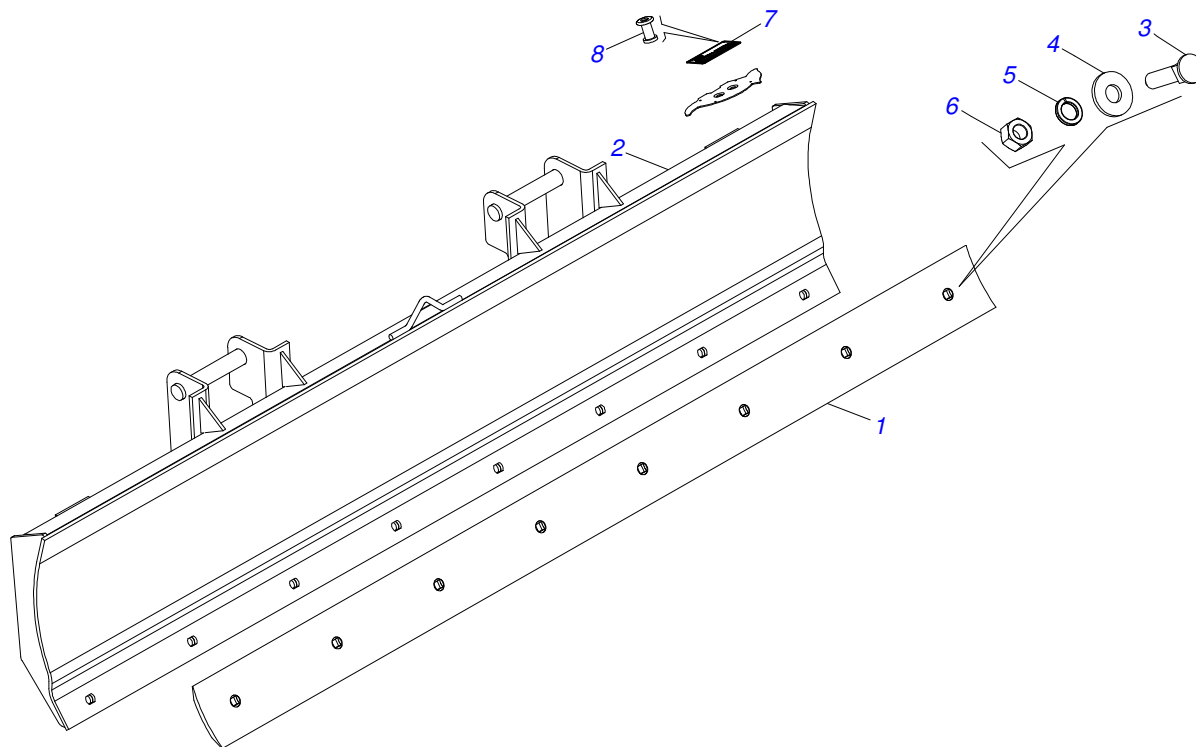
ARTICULATION



Item	Code	Description	See page	QT
01	0501069939	PIVOT SUPPORT		01
02	0521012870	1.46" X 6.18" PIVOT SHAFT		02
03	0511019685	FLAT WASHER		04
04	0503010534	3/8 X 2-1/2 COTTERPIN		04
05	0503010002	1800 GREASE FITTING		02
06	0521012869	COUPLING SHAFT		02

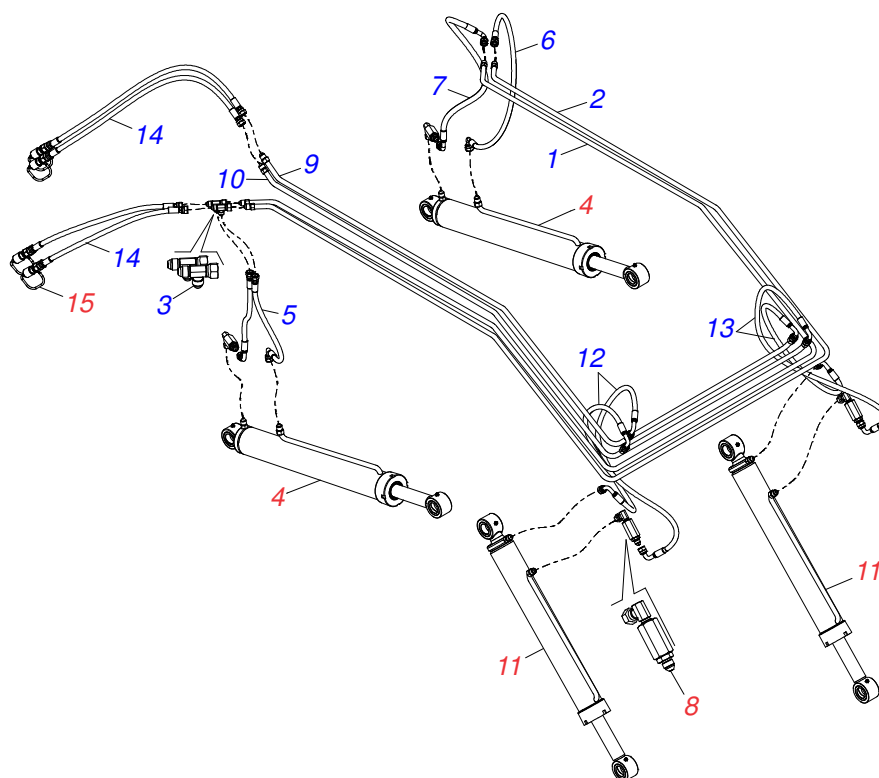


Item	Code	Description	See page	QT
01	0561016401	PLOUGH SUPPORT BODY	02	02
02	0511013598	3/4" X 4.7" COUPLING SHAFT	02	02
03	0503010071	3/16" X 1" COTTERPIN	08	08
04	0511019634	CONTROL LOCK	02	02
05	0521012823	COUPLING SHAFT	02	02
06	0511017302	FLAT WASHER	08	08
07	0561016329	LATCH HOLDER REST PCA	04	04
08	0561016619	COMPLEMENTON REST	02	02
09	0503014378	1/2" X 1-1/2" BOLT	02	02

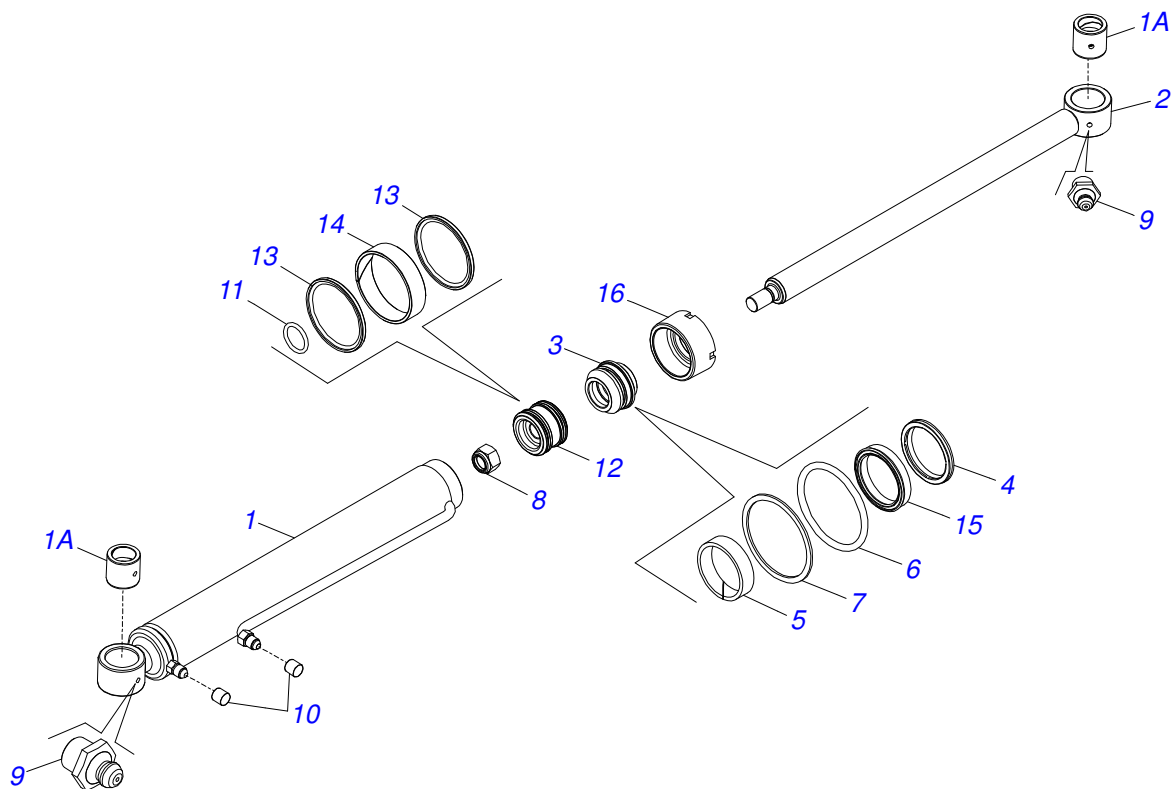


Item	Code	Description	See page	QT
01	0622360016	94.5" SCRAPER REVERSIBLE		01
02	0501069112	2400MM DOZER BLADE		01
03	0501812240	BOLT		08
04	0501812140	FLAT WASHER		08
05	0503011445	SPRING WASHER		08
06	0503810013	NUT 5/8 NC		08
07	0503034003	ALUMINUM IDENTIFICATION LABEL		01
08	0503010001	RIVET POP		04

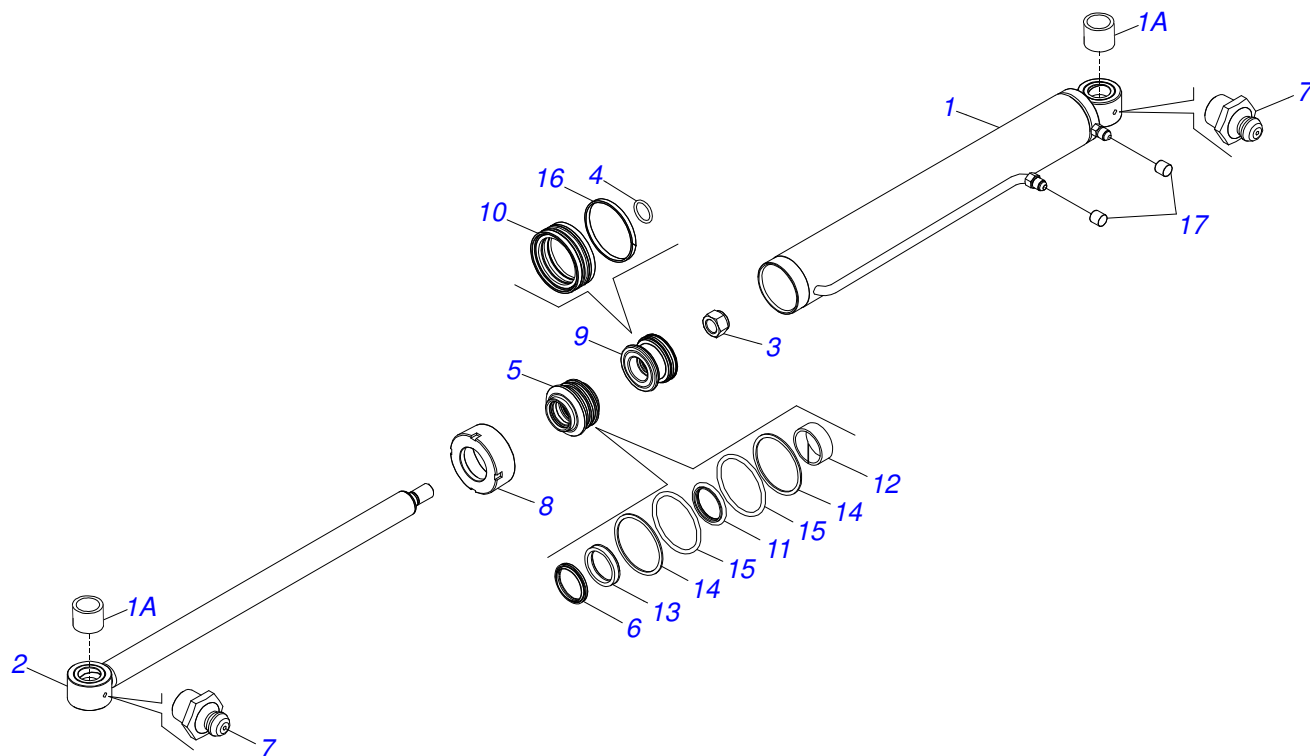
HYDRAULIC CIRCUIT



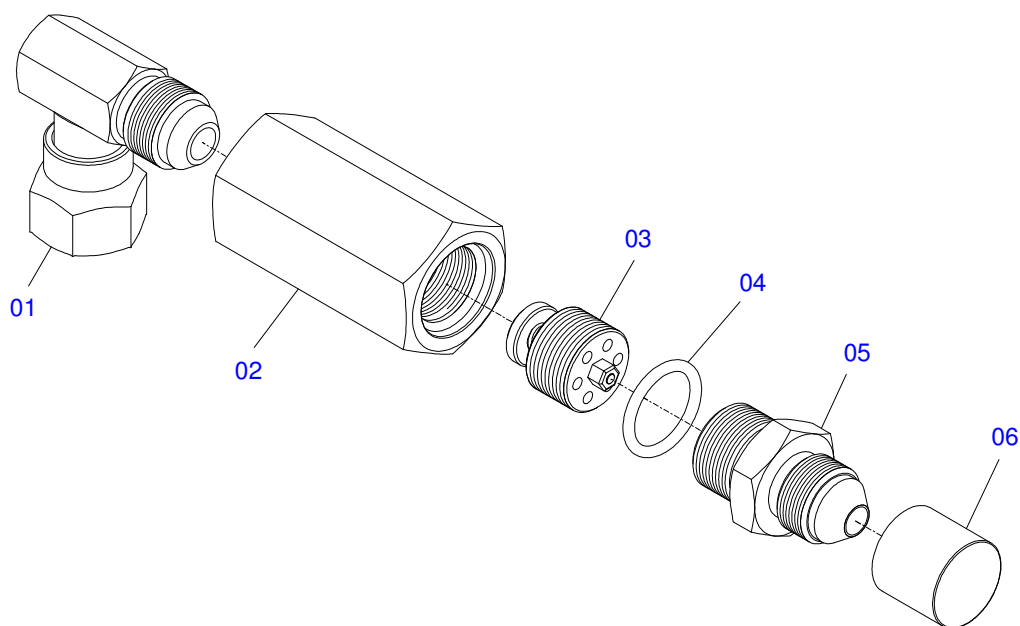
Item	Code	Description	See page	QT
01	0521061820	INNER DISTRIBUTOR TUBE OIL		01
02	0521061821	OUTER DISTRIBUTOR TUBE OIL		01
03	0503011968	T ADAPTOR WITH GIRAT		02
04	0511057974	44,45 X 85,72 X 870 X 593 HYDRAULIC CYLINDER	9	02
05	0501080150	TR-TC HOSE ASSY		02
06	0501080105	TR-TR HOSE ASSY		01
07	0501080766	3/8" X 27.56" TC-TC HOSE		01
08	0511057772	SECURITY VALVE SET	10	04
09	0501069858	LH RIGHT OIL TUBE		01
10	0501069857	RIGHT RIGHT OIL TUBE		01
11	0511057973	HIDRAULIC CYLINDER 44,45 X 76,20 X 820 X 551	8	02
12	0501080777	LH 3/8" X 25.9" TC-TC HOSE		02
13	0501080688	3/8" X 25" TC-TC 90G HOSE		02
14	0501081124	HOSE 3/8" X 4200-TM TR		04
15	0501053834	MALE QUICK COUPLING AGRICULTURAL WITH COVER - 1/2 NPT	11	04



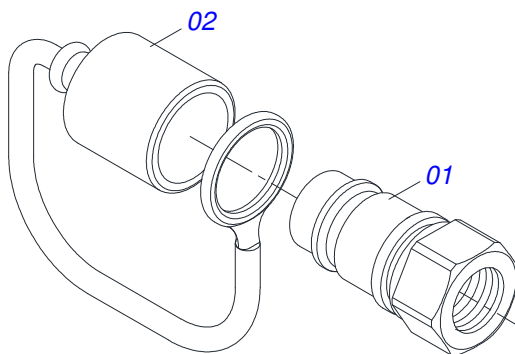
Item	Code	Description	See page	QT
01	0521066381	CYLINDER CASE 76,20 X 723		01
01A	0501110275	BUSHING COUPLING 75 X 38,1 X 50		02
02	0511065578	1.7" X 28.18" TURNBUCLE		01
03	0502012264	RING SUPPORT 1.75" X 3"		01
04	0503010761	D-1750 SCRAPER RING		01
05	0503010949	W2-2000-500 PK RING G.E		01
06	0503010343	2-334 N 3006-9B O'RING		01
07	0503011059	8-334 BACK-UP RING		01
08	0503010063	1" SELF-ALIGNING NUT		01
09	0503010002	1800 GREASE FITTING		02
10	0503030385	CYLINDER PLUG N-002		02
11	0503010042	2-214 N 3006-9B O'RING		01
12	0581010304	PISTON		01
13	0503018138	RING BS		02
14	0503018140	RING GUIDE		01
15	0503017937	GASKET		01
16	0502011899	MOBILE COVER		01



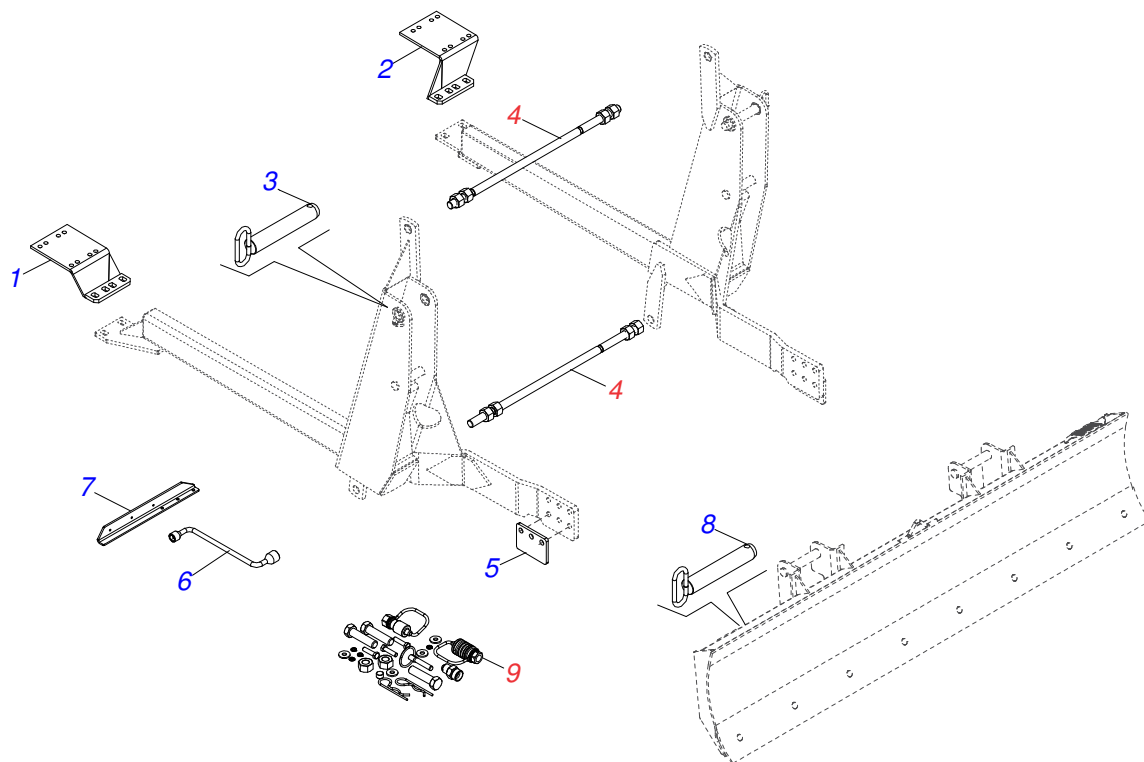
Item	Code	Description	See page	QT
01	0511069198	BODY SHIRT WITH MAKING		01
01A	0521010514	38,1 X 52,9 X 50 SLEEVE INTER		02
02	0521066404	44,45 X 772 TURNBUCKLE		01
03	0503010063	1" SELF-ALIGNING NUT		01
04	0503010042	2-214 N 3006-9B O'RING		01
05	0571019711	RING SUPPORT		01
06	0503010761	D-1750 SCRAPER RING		01
07	0503010002	1800 GREASE FITTING		02
08	0571019709	DETACHABLE COVER		01
09	0571019710	1.7" X 3.4" PISTON		01
10	0503017935	RING		01
11	0503017936	RING		01
12	0503017938	RING GUIDE		01
13	0503017937	GASKET		01
14	0503017940	8-337 BACK-UP RING		02
15	0503017939	2-337 N 3006-9B O' RING		02
16	0503018144	RING		01
17	0503030385	CYLINDER PLUG N-002		02



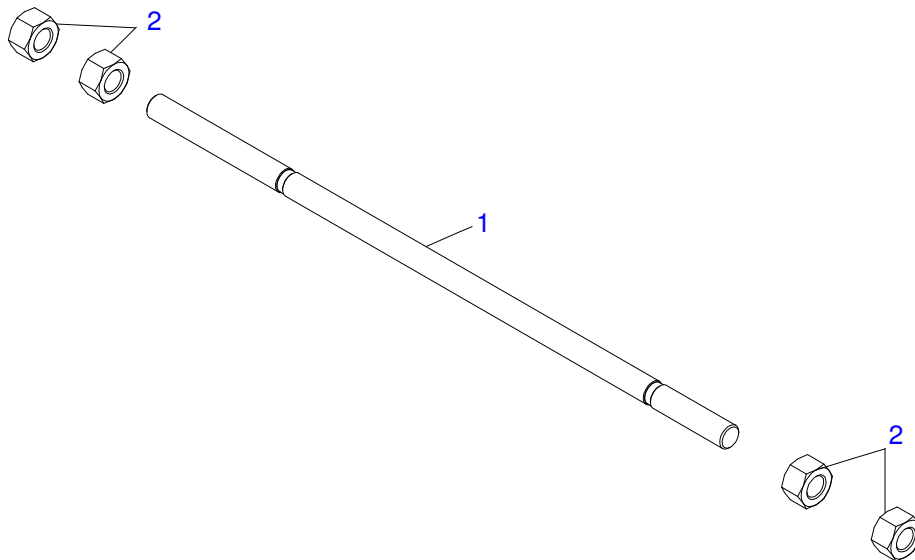
Item	Code	Description	See page	QT
01	0503018034	MALE KNEE JIC		01
02	0581014055	ADAPTER		01
03	0503016854	VALVE ASSY		01
04	0503010045	2-116 N 3006-9B O'RING		01
05	0581014054	BSP 1/2" NIPPLE		01
06	0503030385	CYLINDER PLUG N-002		01



Item	Code	Description	See page	QT
01	0503011627	QUICK CONNECTION (MALE) AGR 1/2 NPT		01
02	0503011882	QUICK CONNECTION COVER		01

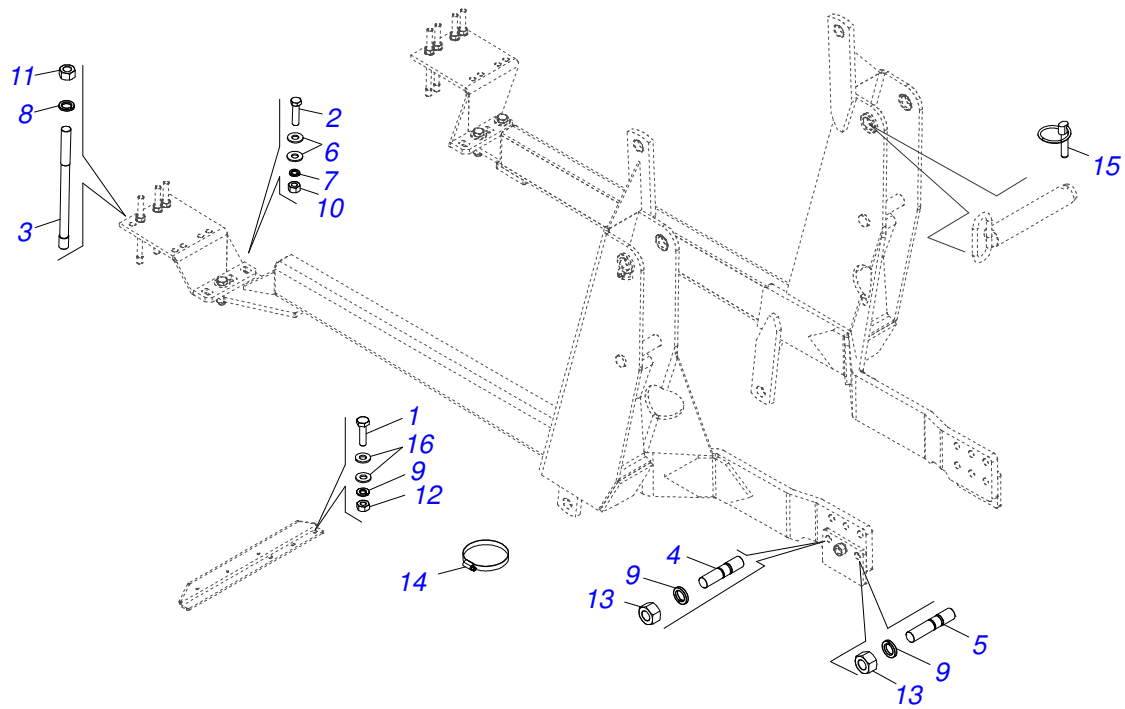


Item	Code	Description	See page	QT
01	0501063145	RH FRAME BRACKET		01
02	0501063146	LH FRAME BRACKET		01
03	0511064410	1.5" X 8.1" COUPLING SHAFT		02
04	0501043212	ROD 1.1/4" NC X 3.818" ASSY	13	02
05	0531016041	BEATER		02
06	0501068213	5/8" WRENCH DOUBLE		01
07	0561019292	SUPPORT FIXER BOX OF TOOLS		01
08	0521066515	37,20 X 240 ARTICULATION SHAFT WITH HANDLE		02
09	0501036656	PACKED PARTS	14	01



Item	Code	Description	See page	QT
001	0501014915	ROD 1.1/4" NC X 3.818"		01
002	0501010087	1.1/4" NUT		04

PACKED PARTS



Item	Code	Description	See page	QT
01	0501010500	3/4"X3"BOLT		04
02	0503010461	1/4" X 1" BOLT		03
03	0501011426	5/8" X 5/8" X 9.45" STUD		08
04	0511014680	3/4" UNF X 85 STUD		06
05	0501010603	3/4" X 3.74" STUD		06
06	0511017303	FLAT WASHER		03
07	0503010143	SPRING WASHER		03
08	0503010027	SPRING WASHER		08
09	0503010023	SPRING WASHER		16
10	0503010144	1/4" NUT		03
11	0503010013	5/8" NUT		16
12	0503010014	3/4" NUT		08
13	0503010335	3/4"NUT		12
14	0503011266	CLAMP 2.1/4" A 3" 57-76		01
15	0503030430	7/16 X 2" PIN LOCK		02
16	0501010322	FLAT WASHER		12



MARCHESAN IMPLEMENTOS E MÁQUINAS AGRÍCOLAS TATU S.A.

AV. Marchesan, 1979 - Post office box, 131 - CEP 15994-900 - Matão - SP - Brazil

Phone +55 16.3382-8282

(FAX Parts) + 55 16.3382. 8297 - (Export) + 55 16.3382.1003

e.mail: tatu@marchesan.com.br www.marchesan.com.br

Technical Publications: Elaboration

MARINA PEREZ NIZA

Technical Publications: Revision

MARINA PEREZ NIZA

Contact Catálogo:

E-mail = jgaspari@marchesan.com.br

**ORIGINAL PARTS
TATU**

