

**OFFSET DISK HARROW**

**GAPCR 18/20/24/28/30D**

**Code:** 0501092387

**Series:** S-0301

**Revision:** 00

**Date Revision:** JANEIRO/2019

# PARTS CATALOGUE



**MARCHESAN**



# PRODUCTS

Code	Description
0102060096	GAPCR 18 X 28 X 7,50 CM S-0301
0102060097	GAPCR 18 X 28 X 7,50 DM S-0301
0102060098	GAPCR 18 X 30 X 7,50 CM S-0301
0102060083	GAPCR 18 X 30 X 7,50 DM S-0301
0102060053	GAPCR 18 X 30 X 7,50 DM ESP S-0301
0102060145	GAPCR 18 X 30 X 9,00 CM S-0301
0102060120	GAPCR 18 X 32 X 12,00 DM S-0301
0102060099	GAPCR 18 X 32 X 9,00 CM S-0301
0102060084	GAPCR 18 X 32 X 9,00 DM S-0301
0102060052	GAPCR 18 X 32 X 9,00 DM ESP S-0301
0102060203	GAPCR 18 X 34 X 12,00 DM ESP S-0301
0102060054	GAPCR 18 X 34 X 9,00 DM S-0301
0102060159	GAPCR 18 X 34 X 9,00MM DM ESP S0301
0102060100	GAPCR 20 X 28 X 7,50 CM S-0301
0102060101	GAPCR 20 X 28 X 7,50 DM S-0301
0102060102	GAPCR 20 X 30 X 7,50 CM S-0301
0102060085	GAPCR 20 X 30 X 7,50 DM S-0301
0102060061	GAPCR 20 X 32 X 12,00 DM S-0301
0102060061C	GAPCR 20 X 32 X 12,00 DM EXP S-0301
0102060103	GAPCR 20 X 32 X 9,00 CM S-0301
0102060086	GAPCR 20 X 32 X 9,00 DM S-0301
0102060086C	GAPCR 20 X 32 X 9,00 DM EXP S-0301
0102060079	GAPCR 20 X 34 X 9,00 DM S-0301
0102060104	GAPCR 24 X 28 X 7,50 CM S-0301
0102060105	GAPCR 24 X 28 X 7,50 DM S-0301
0102060106	GAPCR 24 X 30 X 7,50 CM S-0301
0102060087	GAPCR 24 X 30 X 7,50 DM S-0301
0102060130	GAPCR 24 X 30 X 9,00 DM S-0301
0102060136	GAPCR 24 X 32 X 12,00 DM S-0301
0102060107	GAPCR 24 X 32 X 9,00 CM S-0301

## ATTENTION: IMPORTANT

Marchesan S.A. reserves the right to improve and / or modify the technical features of its products, without obligation to do the same with those products already sold and without prior knowledge of the dealer or the consumer.



# PRODUCTS

0102060088	GAPCR 24 X 32 X 9,00 DM	S-0301
0102060088C	GAPCR 24 X 32 X 9,00 DM EXP	S-0301
0102060119	GAPCR 24 X 32 X 9,00 DM CORTEN	S301
0102060055	GAPCR 24 X 34 X 9,00 DM	S-0301
0102060139	GAPCR 24X32X9,0 DM S/ROD/PNEUS	S301
0102060056	GAPCR 28 X 34 X 9,00 DM	S-0301
0102060060	GAPCR 30 SSECCAO DISCOS	S-0301
0102060089	GAPCR 30 X 30 X 7,50 DM	S-0301
0102060114	GAPCR 30 X 30 X 7,50 DM TERR	S-0301
0102060090	GAPCR 30 X 32 X 9,00 DM	S-0301
0102060129	GAPCR 30 X 34 X 9,00 DM	S-0301

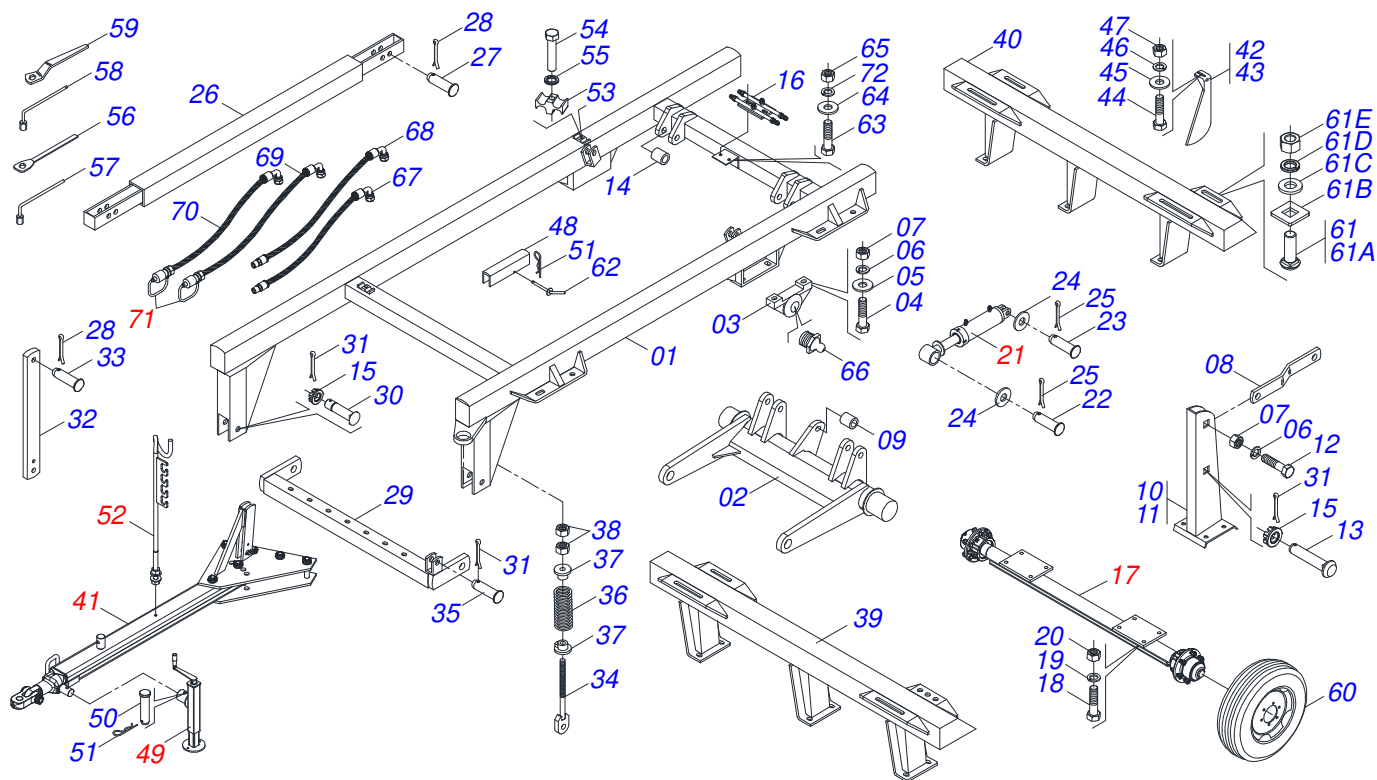
## ATTENTION: IMPORTANT

Marchesan S.A. reserves the right to improve and / or modify the technical features of its products, without obligation to do the same with those products already sold and without prior knowledge of the dealer or the consumer.



# INDEX

0909095067	ASSY FRAME 18/20/24/28/30	.....	1
0501047809	3" X 85"STUB SHAFT & HUB ASSY	.....	2
0511059181	HYDRAULIC CYLINDER 50,80X101,60X515X248	.....	3
0511041570	DRAWBAR ASSY 3"	.....	4
0511048088	DRAWBAR JACK	.....	5
0501040257	3/4 X 1200 HOSE HOLDER A	.....	6
0501053834	MALE QUICK COUPLER WITH CAP - 1/2 NPT	.....	7
0909095071		.....	8
0501046917	13" X 2-1/8" PR BEARING ASSY	.....	9
0501046926	330MM X 2-1/8" RD. OIL BATH BEARING	.....	10

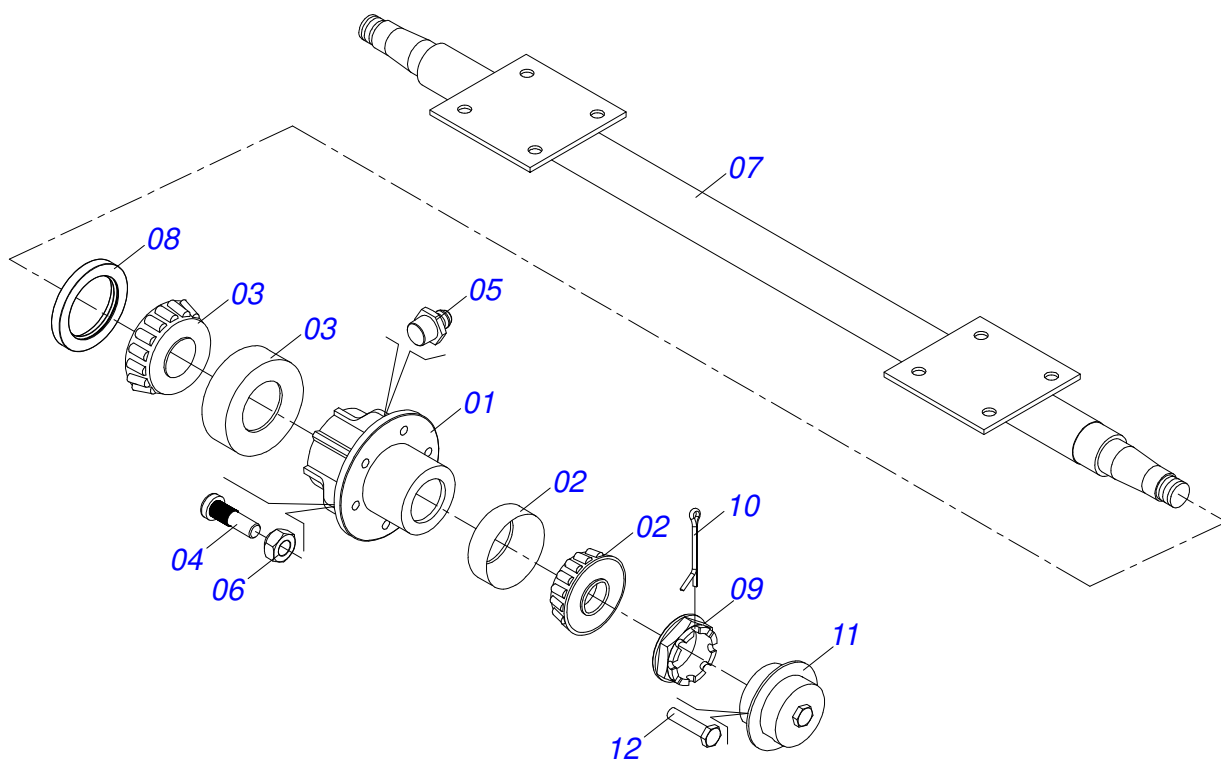


Item	Code	Description	See page	18	20	24	28	30
01	0501067249	CENTER FRAME		01	01	01	01	01
01.	0511067646	FRAME		00	00	01	00	00
02	0501067244	WHEELS		01	01	01	01	01
03	0502010972	ARTICULACION BEARING		02	02	02	02	02
04	0503011432	BOLT		06	06	06	06	06
05	0501010065	1" SPRING WASHER		04	04	04	04	04
06	0503011438	SPRING WASHER		12	12	12	12	12
07	0501010059	1.5/8 NUT		08	08	08	08	08
08	0501110404	SUPPORT BAR		02	02	02	02	02
09	0511019921	1.3" X 0.1" X 1" SLEEVE		02	02	02	02	02
10	0501068260	RIGHT SUSPENSION TOWER		01	01	01	01	01
11	0501068261	LEFT SUSPENSION TOWER		01	01	01	01	01
12	0511017974	1 U BOLT OF THE SUSPENSION TOWER		02	02	02	02	02
13	0511018006	1-1/2 X 4.13" U BOLT OF SUSP TOWER		02	02	02	02	02
14	0521010737	2" X 1.5" X 1.4" SLEEVE		06	06	06	06	06
15	0501011301	1.1/2 UNC 6FPP 2.5/16 NUT		09	09	09	09	09
16	0501068706	DOUBLE CONNECTION		01	01	01	01	01
17	0501047809	3" X 85"STUB SHAFT & HUB ASSY	2	02	02	02	02	02
18	0501010098	3/4" UNC BOLT		08	08	08	08	08
19	0503011442	3/4" SPRING WASHER		08	08	08	08	08
20	0503010014	3/4" NUT		08	08	08	08	08
21	0511059181	HYDRAULIC CYLINDER 50,80X101,60X515X248	3	02	02	02	02	02
22	0521010547	1.2" X 6.5" COUPLING SHAFT		02	02	02	02	02
23	0511810174	COUPLING SHAFT		02	02	02	02	02
24	0501017779	32 X 60 X 4.75 FLAT WASHER		04	04	04	04	04
25	0503010523	1/4" X 2" COTTERPIN		07	07	07	07	07
26	0501067243	STABILIZER BAR		01	01	01	01	01
27	0521010575	C0.9" X 3.3" COUPLING SHAFT		02	02	02	02	02
28	0503010571	1/4" X 1.1/2 COTTERPIN		04	04	04	04	04
29	0501067241	OFFSET BAR		01	01	01	01	01
30	0521812052	PIVOT SHAFT		02	02	02	02	02

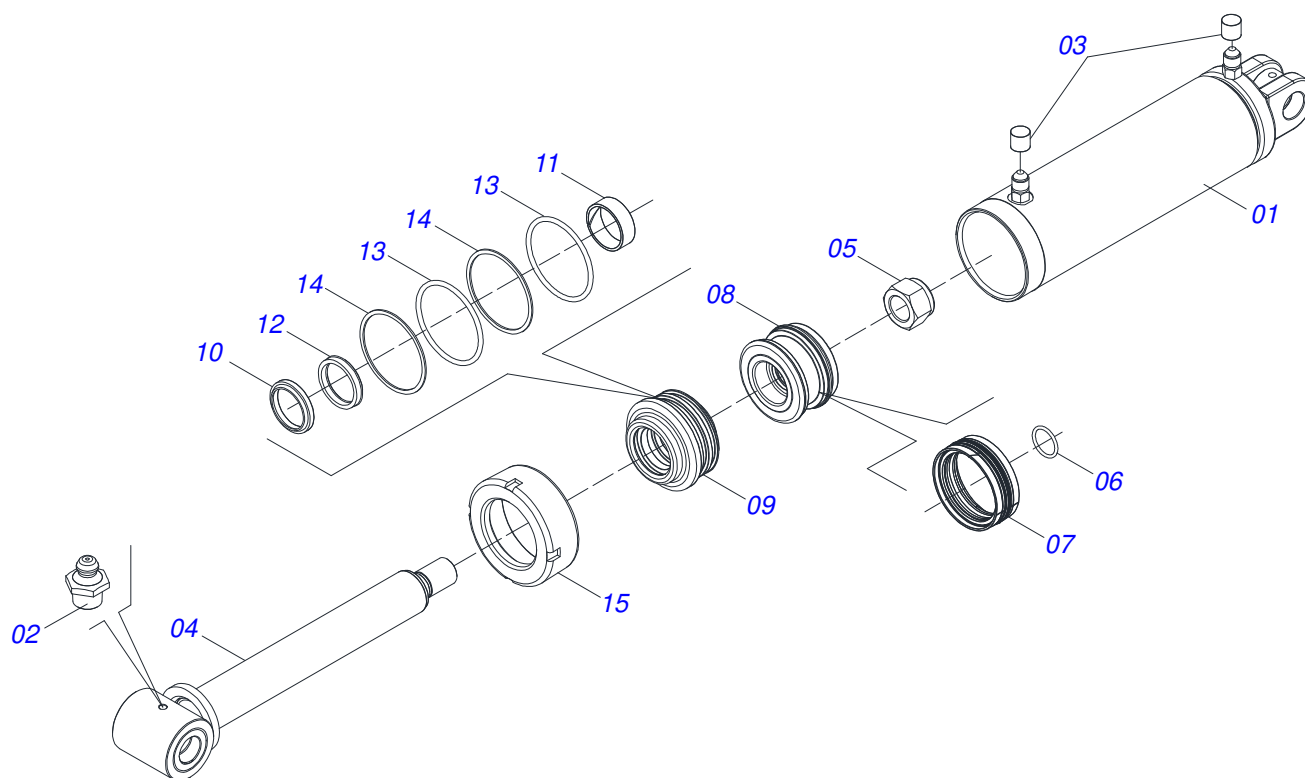


GAPCR 18/20/24/28/30D  
ASSY FRAME 18/20/24/28/30

Item	Code	Description	See page	18	20	24	28	30
31	0503010534	3/8 X 2-1/2 COTTERPIN		02	02	02	02	02
32	0511016121	STABILIZER BAR TOWER		01	01	01	01	01
33	0521810575	COUPLING SHAFT		02	02	02	02	02
34	0501066362	SPRING ROD		01	01	01	01	01
35	0521010592	1.1" X 3.1" COUPLING SHAFT		01	01	01	01	01
36	0503031341	2.7 X 8 X 0.5 COMPRESSION SPRING		01	01	01	01	01
37	0502020394	SPRING SUPPORT		02	02	02	02	02
38	0501010087	1.1/4" NUT		02	02	02	02	02
39	0501060488	106.15" FRONT FRAME		01	00	00	00	00
39.	0501060489	129.14" FRONT FRAME		00	01	00	00	00
39..	0511067644	FRONT FRAME		00	00	01	00	00
39...	0501060490	155.5" FRONT FRAME		00	00	01	00	00
39....	0501068572	182.3" FRONT FRAME		00	00	00	01	00
39.....	0501063647	197" FRONT FRAME		00	00	00	00	01
40	0501060492	116" REAR FRAME		01	00	00	00	00
40.	0501060493	127" REAR FRAME		00	01	00	00	00
40..	0511067645	REAR FRAME		00	00	01	00	00
40...	0501060494	155" REAR FRAME		00	00	01	00	00
40....	0501068573	182" REAR FRAME		00	00	00	01	00
40.....	0501063648	REAR FRAME		00	00	00	00	01
41	0511041570	DRAWBAR ASSY 3"	4	01	01	01	01	01
42	0501060423	FRONT SCRAPER		09	10	12	14	15
43	0501060424	REAR SCRAPER		09	10	12	14	15
44	0503010233	5/8" X 2-1/2" BOLT		18	20	24	28	30
45	0501012140	FLAT WASHER		18	20	24	28	30
46	0503010027	5/8" SPRING WASHER		18	20	24	28	30
47	0503010013	5/8" NUT		18	20	24	28	30
48	0501066386	TRANSPORT LOCK 9.54"		02	02	02	02	02
49	0511048088	DRAWBAR JACK	5	01	01	01	01	01
50	0561014251	COUPLING SHAFT		01	01	01	01	01
51	0503030168	HAIR PIN		02	02	02	02	02
52	0501040257	3/4 X 1200 HOSE HOLDER A	6	01	01	01	01	01
53	0502012702	BODY SUPPORT CLAMP		02	02	02	02	02
54	0503012555	SCREW 7/16 UNC X 2 CS RT G.7 ZN		03	03	03	03	03
55	0503010180	7/16" SPRING WASHER		03	03	03	03	03
56	0501061044	2-1/8" AND 2-1/2" CABLE FLAT WRENCH		01	01	01	01	01
57	0501061045	1" WRENCH CYLINDRICAL		01	01	01	01	01
58	0503016137	1-1/4" WRENCH CABLE CYLINDER		01	01	01	01	01
59	0501011432	1-1/2" AND 1-5/8 GANG BOLT WRENCH		01	01	01	01	01
60	0503060005	29.5"X0.63"-10L WHEEL AND TIRE ASSY		04	04	04	04	04
61	0501041102	1-1/4" X 3-3/4" ASSY BOLT		08	08	08	08	08
61A	0501015348	1-1/4" X 3-3/4" BOLT		08	08	08	08	08
61B	0501010953	1-1/4" SQUARE WASHER		08	08	08	08	08
61C	0531010713	FLAT WASHER		08	08	08	08	08
61D	0503010070	SPRING WASHER		08	08	08	08	08
61E	0501010087	1.1/4" NUT		08	08	08	08	08
62	0501068994	0.3" X 3.1" LOCK PIN		02	02	02	02	02
63	0503010237	3/8" X 1" BOLT		02	02	02	02	02
64	0501010984	FLAT WASHER		02	02	02	02	02
65	0503010026	3/8" NUT		00	02	02	02	02
66	0503010002	1800 GREASE FITTING		05	05	05	05	05
67	0501080054	3/8" X 17" TR-TC HOSE ASSY		02	02	02	02	02
68	0501080413	3/8" X 27" TR-TC HOSE		02	02	02	02	02
69	0501080458	3/8" X 315" TC-TM HOSE ASSY		01	01	01	01	01
70	0501080459	3/8" X 322" TC-TM HOSE ASSY		01	01	01	01	01
71	0501053834	MALE QUICK COUPLER WITH CAP - 1/2 NPT	7	02	02	02	02	02
72	0503010025	3/8" SPRING WASHER		02	02	02	02	02

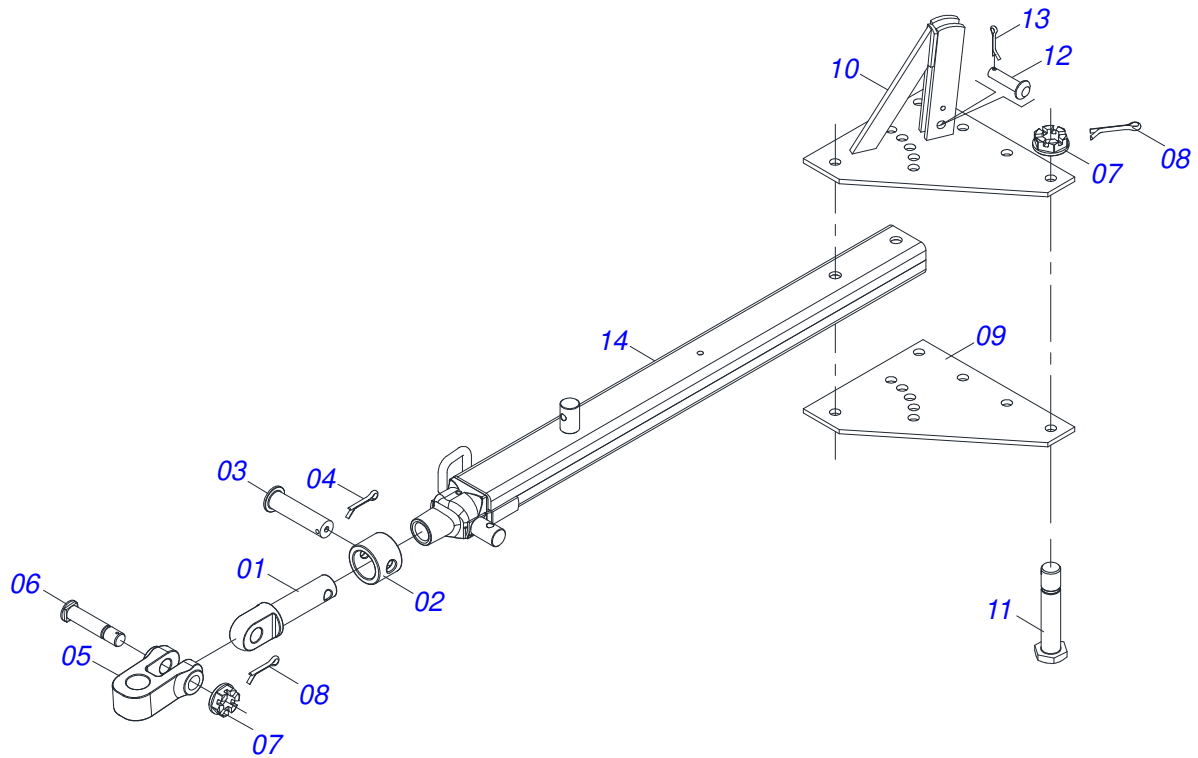


Item	Code	Description	See page	QT
01	0502011389	BOX		02
02	0503010006	32210 ROLLER BEARING		02
03	0503010005	32212 ROLLER BEARING		02
04	0501010186	WHEEL SCREW 5/8UNF X 2.1/8CR		12
05	0503010002	1800 GREASE FITTING		02
06	0503010064	5/8 UNF CONIC NUT		12
07	0501067004	3" X 85" AXLE		01
08	0503011866	SEAL 00573-B WITH HOLE		02
09	0501010888	1.3/4" 2.5/16" CASTLE NUT		02
10	0503010010	1/4" X 2.1/2" COTTERPIN		02
11	0502020593	COVER		02
12	0503010295	SCREW 5/16 UNC X 5/8 CS G.2 ZN		02

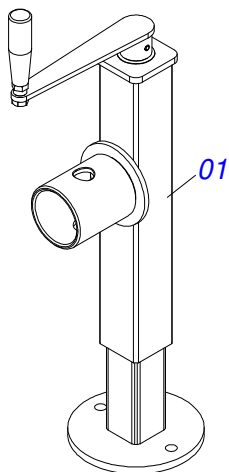


Item	Code	Description	See page	QT
01	0501067256	4" X 16" CYLINDER CASE		01
02	0503010002	1800 GREASE FITTING		02
03	0503030385	CYLINDER PLUG N-002		02
04	0521066345	50,80 X 452 TURNBUCLE		01
05	0503010817	1.1/4" SELF LOCKING NUT		01
06	0503010345	2-218 N 3006-9B O'RING		01
07	0503015633	SELEMASTER SEALING		01
08	0502012842	50,80 X 101,60 PISTON		01
09	0581010678	50,80 X 101 RING SUPPORT		01
10	0503015636	SCRAPER SEAL		01
11	0503018025	RING GUIDE		01
12	0503018026	1870-2000-375 B GASKET		01
13	0503010338	2-342 N 3006-9B O'RING		02
14	0503011061	8-342 BACK-UP RING		02
15	0502012822	101.60 END CAP		01

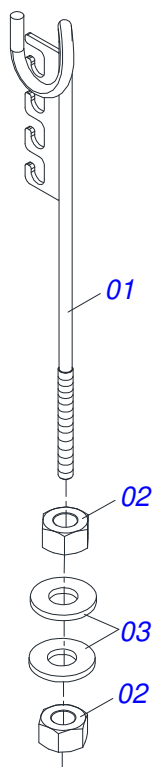




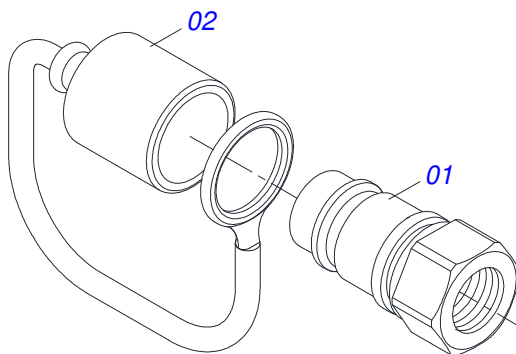
Item	Code	Description	See page	QT
01	0502040223	DRAWBOLT		01
02	0502040327	ANEL TRAVA ENGATE		01
03	0511014902	COUPLING SHAFT		01
04	0503010571	1/4" X 1.1/2 COTTERPIN		01
05	1902040733	U COUPLING HOOK		01
06	0521012545	COUPLING SHAFT		01
07	0501011301	1.1/2 UNC 6FPP 2.5/16 NUT		07
08	0503010010	1/4" X 2.1/2" COTTERPIN		07
09	0511016137	UPPER /LOWER PLATE		01
10	0501067250	UPPER PLATE WITH SUPPORT		01
11	0501016419	1-1/2" X 7.5" BOLT		06
12	0521010779	31.75 X 95 COUPLING SHAFT		01
13	0503010523	1/4" X 2" COTTERPIN		01
14	0501069323	DRAWBAR ASSY		01



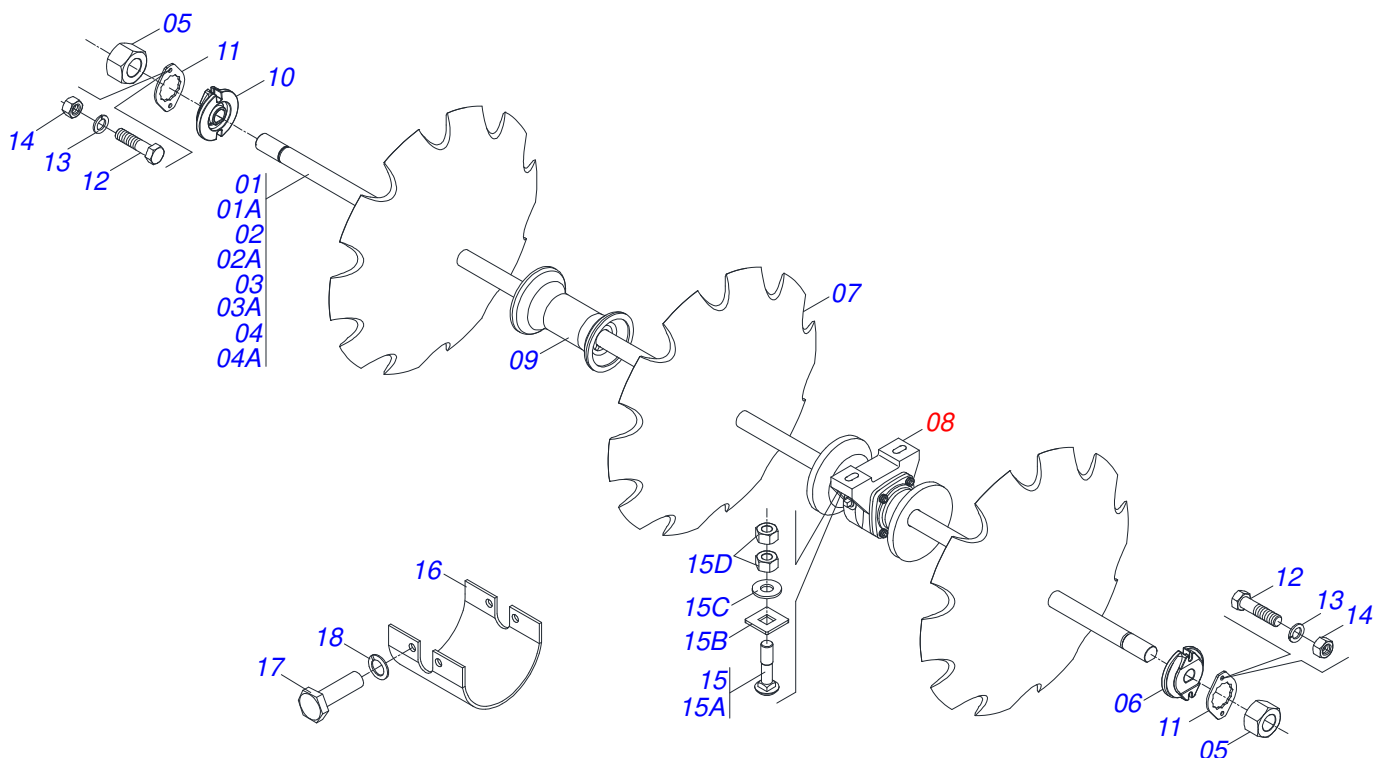
Item	Code	Description	See page	QT
01	0503062227	DRAWBAR JACK		01



Item	Code	Description	See page	QT
01	0511067334	HOSE SOPPORT ASSY		01
02	0503010014	3/4" NUT		02
03	0501010322	FLAT WASHER		02



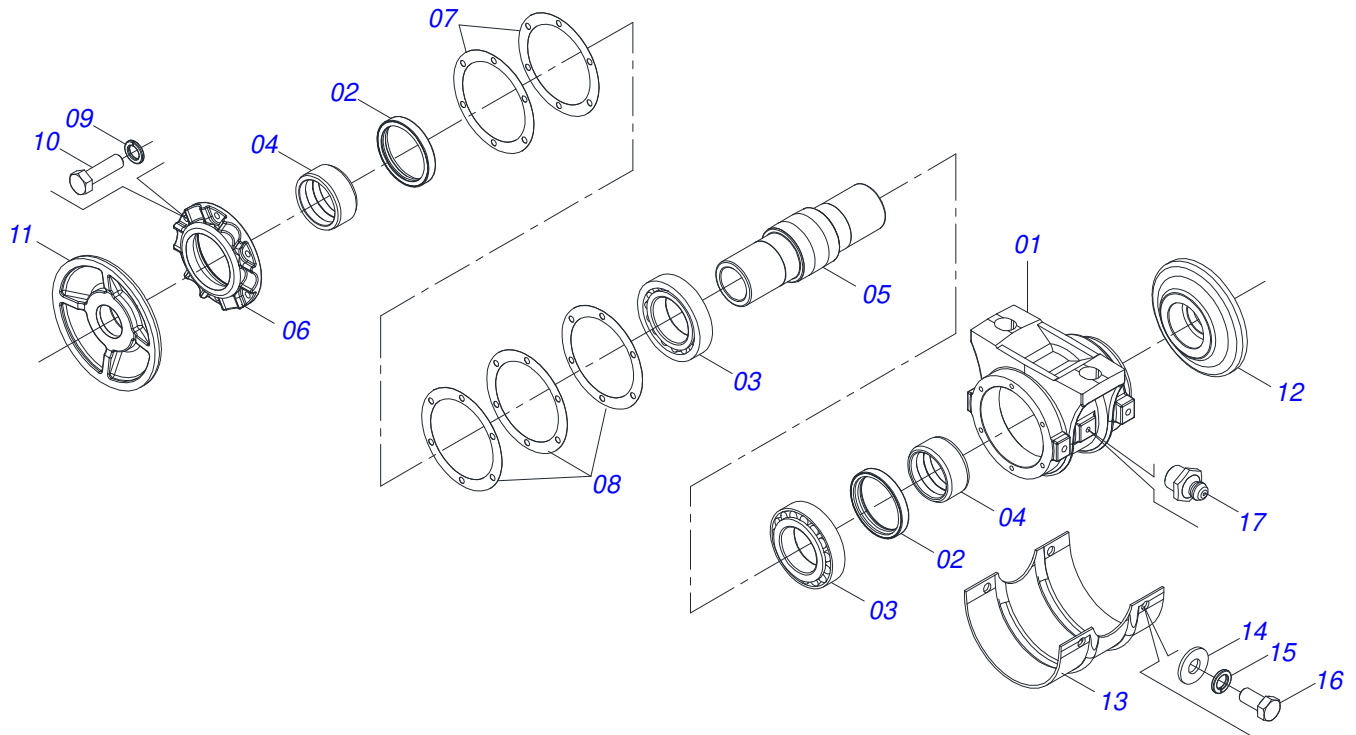
Item	Code	Description	See page	QT
01	0503011627	MALE QUICK COUPLER AGR 1/2 NPT		01
02	0503011882	MALE QUICK COUPLER CAP		01



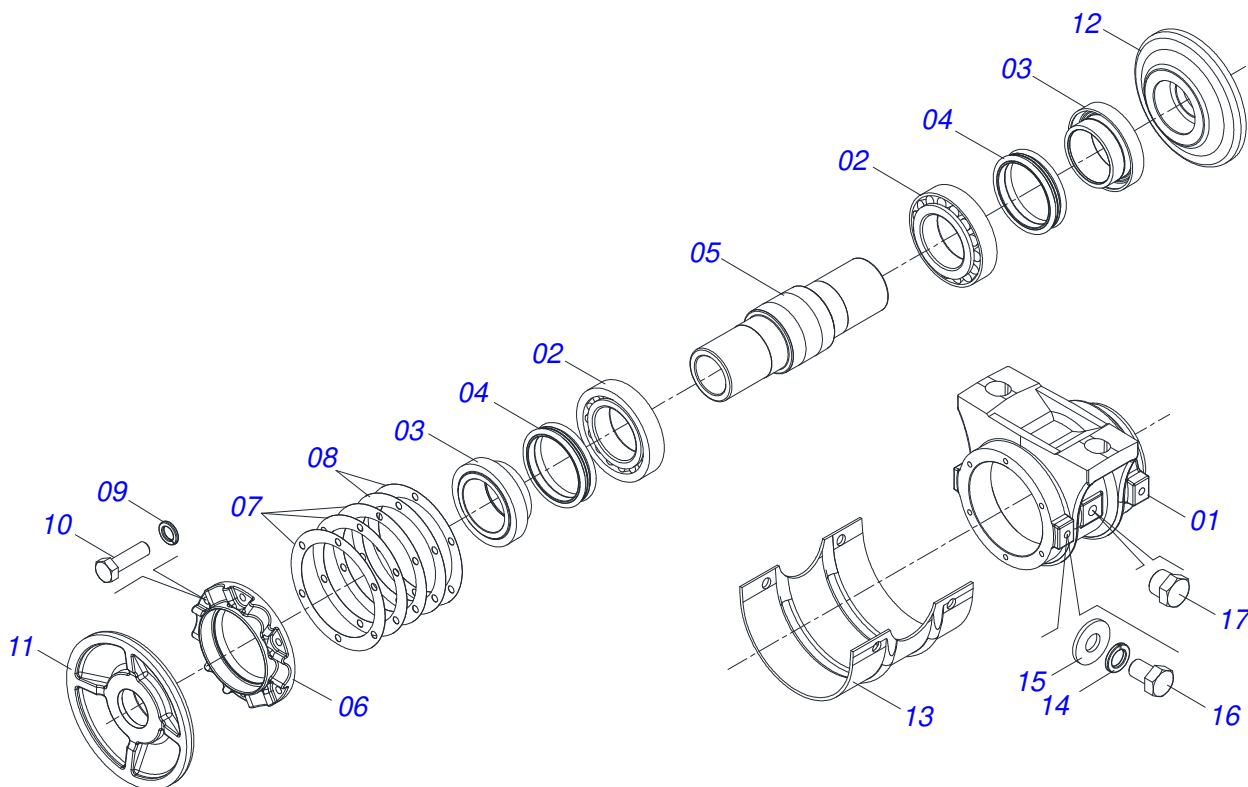
Item	Code	Description	See page	18	20	24	28	30
01	0501041516	2-1/8" X 49" AXLE WITH NUTS		02	00	00	00	00
01A	0501013757	2-1/8" X 49" AXLE		02	00	00	00	00
02	0501041497	2-1/8 X 63" AXLE WITH NUTS		02	04	00	00	06
02A	0501013758	2-1/8" X 63" AXLE		02	04	00	00	06
03	0511042123	2-1/8" X 76" AXLE WITH NUTS		00	00	04	00	00
03A	0501013759	2-1/8" X 76" AXLE		00	00	04	00	00
04	0501041514	2-1/8" X 8.9" AXLE WITH NUTS		00	00	00	04	00
04A	0501013760	2-1/8" X 8.9" AXLE		00	00	00	04	00
05	0502040063	2.1/8" X 54 99 NUT		08	08	08	08	12
06	0502010594	2-1/8" EXTERNAL AXLE WASHER		02	04	04	04	06
07	0602037002	28" X 0.3" NOTCHED DISC BLADE		18	20	24	00	00
07.	0602040001	30" X 0.3" NOTCHED DISC BLADE		18	20	24	00	30
07..	0602040070	32" X 9 NOTCHED DISC BLADE		18	00	24	00	00
07...	0602044001	32" X 0.3" NOTCHED DISC BLADE		18	20	24	00	30
07....	0602044003	32" X 0.5" NOTCHED DISC BLADE		18	20	24	00	00
07.....	0602046013	34" X 0.3" NOTCHED DISC BLADE		18	20	24	28	00
07.....	0602046010	34" X 0.5" NOTCHED DISC BLADE		18	00	00	00	00
08	0501046926	330MM X 2-1/8" RD. OIL BATH BEARING	10	08	08	08	08	12
08.	0501046917	13" X 2-1/8" PR BEARING ASSY	9	08	08	08	00	00
09	0502010643	13" 2-1/8" SPACER		06	08	12	12	12
10	0502010595	2-1/8" INNER AXLE WASHER		04	04	04	04	06
11	0501010348	2-1/8" TO 2-1/2" NUT LOCK		08	08	08	08	12
12	0503010232	5/8" X 1.3/4" BOLT		16	16	16	16	24
13	0503010027	5/8" SPRING WASHER		16	16	16	16	24
14	0503010013	5/8" NUT		16	16	16	16	24
15	0501042139	1" X 4.3" ASSY BOLT		16	16	16	16	24
15A	0501010952	1" X 4.3" BOLT		16	16	16	16	24
15B	0501010951	1" SQUARE WASHER		16	16	16	16	24
15C	0501011445	FLAT WASHER		16	16	16	16	24
15D	0501010059	1.5/8 NUT		32	32	32	32	48
16	0511013169	PROTECTION COVER BEARING		08	08	08	08	12



Item	Code	Description	See page	18	20	24	28	30
17	0503010834	1/2 X 1 BOLT		32	32	32	32	48
18	0503010019	1/2" SPRING WASHER		32	32	32	32	48



Item	Code	Description	See page	QT
01	0502010739	HOUSING CM		01
02	0503010094	02060-GB SEAL		02
03	0503010117	32216 ROLLER BEARING		02
04	0521010488	SPACER		02
05	0502040034	BEARING AXLE		01
06	0502010661	HOUSING CAP CM		01
07	0503030686	7.1" X 5.5" X 0.004" JOINT		02
08	0503030536	7.1" X 5.5" X 0.01" JOINT		03
09	0503011443	3/8" SPRING WASHER		06
10	0503010751	C3/8" X 1.1/4" HEX BOLT G.5		06
11	0502040260	OUTER FLANGE		01
12	0502040261	INNER FLANGE		01
13	0511013169	PROTECTION COVER BEARING		01
14	0511017302	FLAT WASHER		04
15	0503010019	1/2" SPRING WASHER		04
16	0503010834	1/2 X 1 BOLT		04
17	0503010002	1800 GREASE FITTING		02



Item	Code	Description	See page	QT
01	0502010742	HOUSING DM		01
02	0503010117	32216 ROLLER BEARING		02
03	0502040123	SEAL RETAINER		02
04	0503030028	JB-257 SEAL		02
05	0502040034	BEARING AXLE		01
06	0502010645	HOUSING CAP DM		01
07	0503030536	7.1" X 5.5" X 0.01" JOINT		03
08	0503030686	7.1" X 5.5" X 0.004" JOINT		02
09	0503011443	3/8" SPRING WASHER		06
10	0503010751	C3/8" X 1.1/4" HEX BOLT G.5		06
11	0502040260	OUTER FLANGE		01
12	0502040261	INNER FLANGE		01
13	0511013169	PROTECTION COVER BEARING		01
14	0503010019	1/2" SPRING WASHER		04
15	0511017302	FLAT WASHER		04
16	0503011401	1/2" X 3/4" BOLT		04
17	0503010856	OIL PLUG		02







**MARCHESAN**

**Technical Publications | Elaboration and Revision**

MARINA PEREZ NIZA

[www.marchesan.com.br](http://www.marchesan.com.br)

