

PARTS CATALOG

OFFSET DISK HARROW

GAPCR 18/20/24/28/30D

Code: 0501092386



Series: S-1094

Rev.: 00

Date Rev.: DEZEMBRO/2018

**ORIGINAL PARTS
TATU**



PRODUCTS

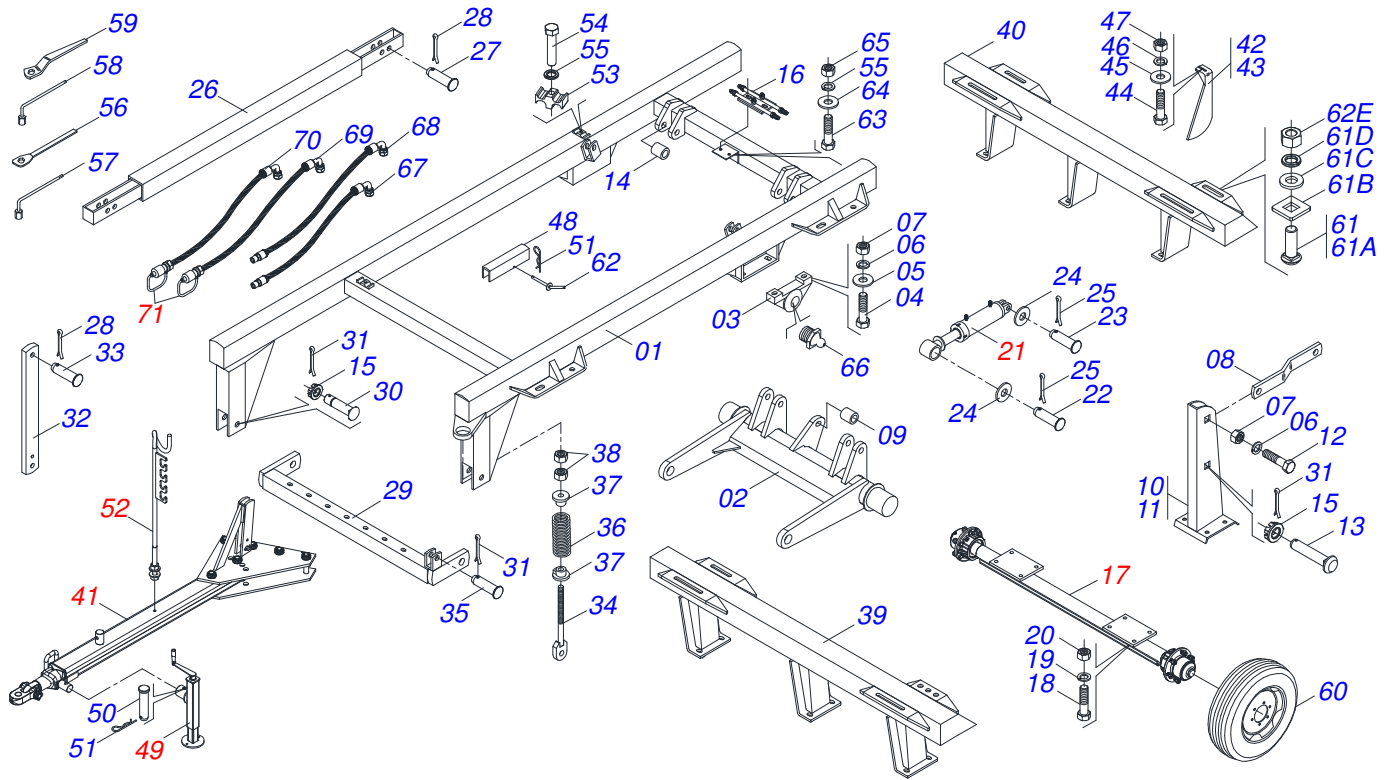
Code	Description
0102060034	GAPCR 18 X 28 X 7,50 DM S-1094
0102060036	GAPCR 18 X 32 X 9,00 DM S-1094
0102060037	GAPCR 20 X 28 X 7,50 DM S-1094
0102060038	GAPCR 20 X 30 X 7,50 DM S-1094
0102060018	GAPCR 20 X 32 X 9,00 CM S-1094
0102060039	GAPCR 20 X 32 X 9,00 DM S-1094
0102060042	GAPCR 24 X 32 X 9,00 DM S-1094
0102060091	GAPCR 28 X 28 X 7,50 CM S-1094
0102060092	GAPCR 28 X 28 X 7,50 DM S-1094
0102060043	GAPCR 28 X 30 X 7,50 CM S-1094
0102060045	GAPCR 28 X 30 X 7,50 DM S-1094
0102060121	GAPCR 28 X 32 X 12,00 DM S-1094
0102060046	GAPCR 28 X 32 X 12,00 DM S/PNEUS
0102060044	GAPCR 28 X 32 X 9,00 CM S-1094
0102060048	GAPCR 28 X 32 X 9,00 DM ALQUIP
0102060081	GAPCR 28 X 32 X 9,00 DM S-1094
0102060075	GAPCR 30 X 28 X 7,50 CM S-1094
0102060093	GAPCR 30 X 28 X 7,50 DM S-1094
0102060071	GAPCR 30 X 30 X 7,50 CM S-1094
0102060069	GAPCR 30 X 30 X 7,50 DM S-1094
0102060072	GAPCR 30 X 32 X 9,00 CM S-1094
0102060070	GAPCR 30 X 32 X 9,00 DM S-1094
0102060095	GAPCR 30 X 32 X 9,00 DM S/PNEU CCAL

ATTENTION: **IMPORTANT**

MARCHESAN S/A RESERVES THE RIGHT AT ANY TIME TO MAKE IMPROVEMENTS IN THE DESIGN, MATERIAL OR SPECIFICATIONS OF MACHINERY, EQUIPMENT OR PARTS WITHOUT THEREBY BECOMING LIABLE TO MAKE SIMILAR CHANGES IN MACHINERY, EQUIPMENT OR PARTS PREVIOUSLY SOLD.

INDEX

0909095030	ASSY FRAME 18/20/24/28/30D	1
0501047809	3" X 85"STUB SHAFT & HUB ASSY	2
0501044309	2.0" X 5" X 20" X 10" HYDRAULIC CYLINDER	3
0501046307	DRAWBAR ASSY	4
0511041570	DRAWBAR ASSY 3" GASPCR12/16	5
0511043153	DRAWBAR JACK	6
0501040257	3/4 X 1200 HOSE HOLDER A	7
0909095033	DISC SECTION 18/20/24/28/30	8
0501046917	13" X 2-1/8" PR BEARING ASSY	9
0501046926	330MM X 2-1/8" RD. OIL BATH BEARING	10
0501041519	13" X 2-1/8" OIL BATH BEARING	11



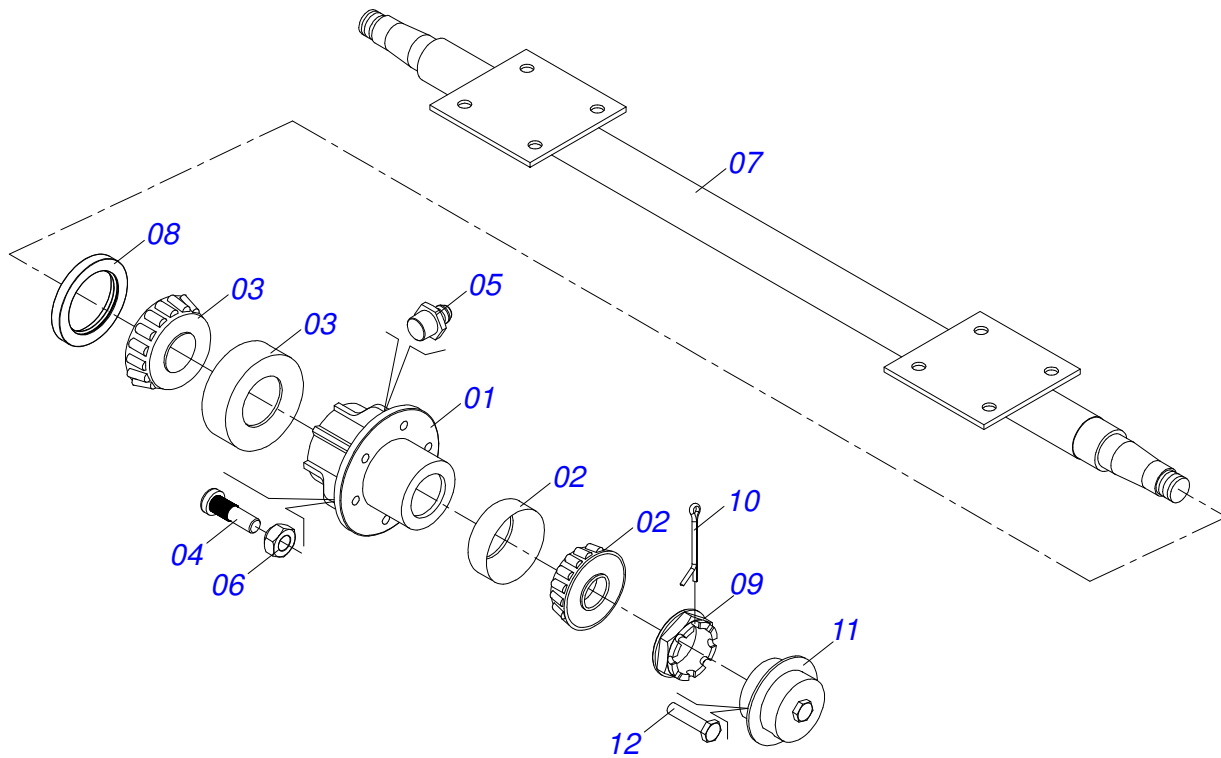
Item	Code	Description	18	20	24	28	30
01	0501067009	FRAME	01	01	01	01	01
01.	0501067249	CENTER FRAME	01	01	01	01	01
02	0501067244	CARRYING-WHEELS	01	01	01	01	01
02.	0501068209	CARRYING-WHEELS	01	01	01	01	00
03	0502010972	ARTICULACION BEARING	02	02	02	02	02
04	0503011432	1" X 4" BOLT	06	06	06	06	06
05	0501010065	1" SPRING WASHER	04	04	04	04	04
06	0503011438	SPRING WASHER	12	12	12	12	12
07	0501010059	1.5/8 NUT	08	08	08	08	08
08	0501019347	SUPPORT BAR	02	02	02	02	02
09	0511019921	1.3" X 0.1" X 1" SLEEVE	02	02	02	02	02
10	0501068260	RIGHT SUSPENSION TOWER	01	01	01	01	01
11	0501068261	LEFT SUSPENSION TOWER	01	01	01	01	01
12	0511017974	1 U BOLT OF THE SUSPENSION TOWER	02	02	02	02	02
13	0511018006	1-1/2 X 4.13" U BOLT OF SUSP TOWER	02	02	02	02	02
14	0521010737	2" X 1.5" X 1.4" SLEEVE	06	06	06	06	06
15	0501011301	1.1/2 UNC 6FPP 2.5/16 NUT	09	09	09	09	09
16	0501068706	DOUBLE CONNECTION	01	01	01	01	01
17	0501047809	3" X 85"STUB SHAFT & HUB ASSY	02	02	02	02	02
18	0501010098	HEX BOLT 3/4 UNC X 2 C S G.5 ZN	08	08	08	08	08
19	0503011442	3/4" SPRING WASHER	08	08	08	08	08
20	0503010014	3/4" NUT	08	08	08	08	08
21	0501044309	2.0" X 5" X 20" X 10" HYDRAULIC CYLINDER	02	02	02	02	02
22	0521010547	1.2" X 6.5" COUPLING SHAFT	02	02	02	02	02
23	0511010174	1.2" X 5.9" COUPLING SHAFT	02	02	02	02	02
24	0501017779	FLAT WASHER	04	04	04	04	04
25	0503010523	1/4" X 2" COTTERPIN	07	07	07	07	07
26	0501067243	STABILIZER BAR	01	01	01	01	01
27	0521010575	C0.9" X 3.3" COUPLING SHAFT	02	02	02	02	02
28	0503010571	1/4" X 1.1/2 COTTERPIN	04	04	04	04	04
29	0501067241	OFFSET BAR	01	01	01	01	01



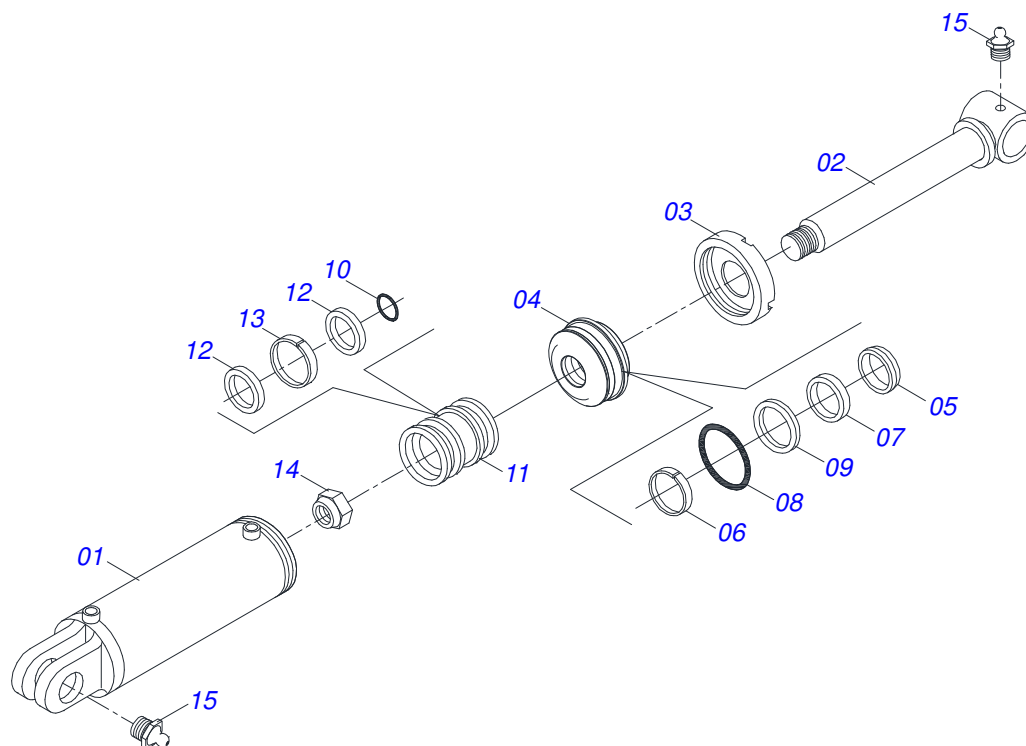
ASSY FRAME 18/20/24/28/30D

0909095030

Item	Code	Description	18	20	24	28	30
30	0521010808	1.4" X 5.8" COUPLING SHAFT	02	02	02	02	02
31	0503010534	3/8 X 2-1/2 COTTERPIN	02	02	02	02	02
32	0511016121	STABILIZER BAR TOWER	01	01	01	01	01
33	0521810575	COUPLING SHAFT	02	02	02	02	02
34	0501066362	SPRING ROD	01	01	01	01	01
35	0521010592	1.1" X 3.1" COUPLING SHAFT	01	01	01	01	01
36	0503030441	12.7" X 5.7" X 0.5"SPRING	01	01	01	01	01
37	0502020394	SPRING SUPPORT	02	02	02	02	02
38	0501010087	1.1/4" NUT	02	02	02	02	02
39	0501060488	106.15" FRONT FRAME	01	00	00	00	00
39.	0501060489	129.14" FRONT FRAME	00	01	00	00	00
39..	0501060490	155.5" FRONT FRAME	00	00	01	00	00
39...	0501068572	182.3" FRONT FRAME	00	00	00	01	00
39....	0501063647	197" FRONT FRAME	00	00	00	00	01
40	0501060492	116" REAR FRAME	01	00	00	00	00
40.	0501060493	127" REAR FRAME	00	01	00	00	00
40..	0501060494	155" REAR FRAME	00	00	01	00	00
40...	0501068573	182" REAR FRAME	00	00	00	01	00
40....	0501063648	REAR FRAME	00	00	00	00	01
41	0501046307	DRAWBAR ASSY	01	01	01	00	00
41.	0511041570	DRAWBAR ASSY 3" GASPCR12/16	00	00	00	01	01
42	0501060423	FRONT SCRAPER	09	10	12	14	15
43	0501060424	REAR SCRAPER	09	10	12	14	15
44	0503010233	5/8" X 2-1/2" BOLT	18	20	24	28	30
45	0501012140	FLAT WASHER	18	20	24	28	30
46	0503010027	SPRING WASHER	18	20	24	28	30
47	0503010013	5/8" NUT	18	20	24	28	30
48	0501066386	TRANSPORT LOCK 9.54"	02	02	02	02	02
49	0511043153	DRAWBAR JACK	01	01	01	01	01
50	0521010549	COUPLING SHAFT	01	01	01	01	01
51	0503030168	HAIR PIN	02	02	02	02	02
52	0501040257	3/4 X 1200 HOSE HOLDER A	01	01	01	01	01
53	0502010477	UPPER CLIP	02	02	02	02	02
54	0503010751	C3/8" X 1.1/4" HEX BOLT G.5	03	03	03	03	03
55	0503010025	3/8 SPRING WASHER	03	03	03	03	03
56	0501061044	2-1/8" AND 2-1/2" CABLE FLAT WRENCH	01	01	01	01	01
57	0501061045	1" WRENCH CYLINDRICAL	01	01	01	01	01
58	0501062300	1-1/4" WRENCH CABLE CYLINDRICAL	01	01	01	01	01
59	0501011432	1-1/2" AND 1-5/8 GANG BOLT WRENCH	01	01	01	01	01
60	0503060005	29.5"X0.63"-10L WHEEL AND TIRE ASSY	04	04	04	04	04
61	0501041102	1-1/4" X 3-3/4" ASSY BOLT	08	08	08	08	08
61A	0501015348	1-1/4" X 3-3/4" BOLT	08	08	08	08	08
61B	0501010953	1-1/4" SQUARE WASHER	08	08	08	08	08
61C	0531010713	FLAT WASHER	08	08	08	08	08
61D	0503010070	SPRING WASHER	08	08	08	08	08
61E	0501010087	1.1/4" NUT	08	08	08	08	08
62	0501068994	0.3" X 3.1"LOCK PIN	02	02	02	02	02
63	0503010237	3/8" X 1" BOLT	02	02	02	02	02
64	0501010984	FLAT WASHER	02	02	02	02	02
65	0503010026	3/8" NUT	00	02	02	02	02
66	0503010002	1800 GREASE FITTING	05	05	05	05	05
67	0501080054	3/8" X 17" TR-TC HOSE ASSY	00	00	00	02	02
68	0501080413	3/8" X 27" TR-TC HOSE ASSY	00	00	00	02	02
69	0501080458	3/8" X 315" TC-TM HOSE ASSY	01	01	01	00	00
70	0501080459	3/8" X 322" TC-TM HOSE ASSY	01	01	01	00	00
71	0501053834	MALE QUICK COUPLING AGRICULTURAL WITH COVER - 1/2 NPT	02	02	02	02	02

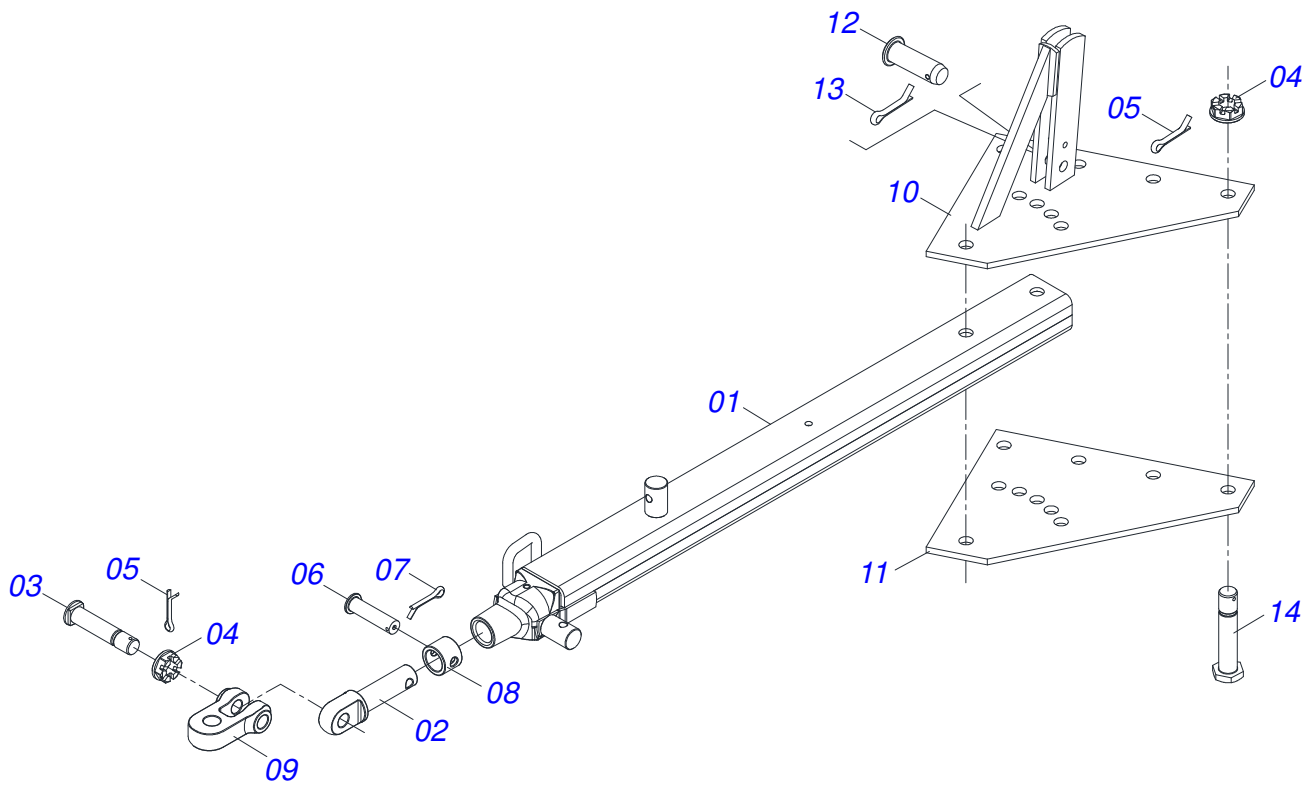


Item	Code	Description	QT
01	0502011389	BOX	02
02	0503010006	32210 ROLLER BEARING	02
03	0503010005	32212 ROLLER BEARING	02
04	0501010186	PARAFUSO ROD 5/8UNF X 2.1/8CR	12
05	0503010002	1800 GREASE FITTING	02
06	0503010064	5/8 UNF CONIC NUT	12
07	0501067004	3" X 85" AXLE	01
08	0503011866	SEAL 00573-B WITH HOLE	02
09	0501010888	1.3/4" 2.5/16" CASTLE NUT	02
10	0503010010	1/4" X 2.1/2" COTTERPIN	02
11	0502020593	COVER	02
12	0503010295	5/16" X 5/8" BOLT	02

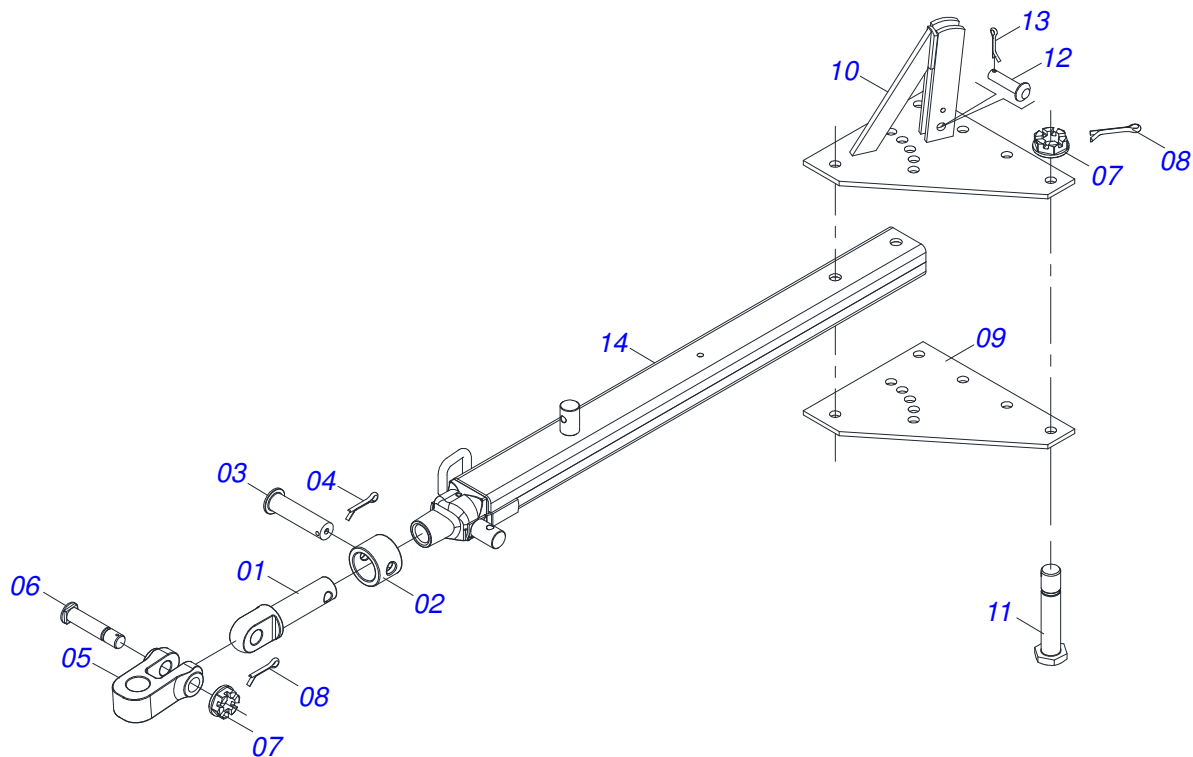


Item	Code	Description	QT
01	0501069075	BODY 127 X 424	01
02	0501068963	HYDRAULIC CYLINDER TURNBUCKLE	01
03	0502010382	5" HEAD	01
04	0502012227	50,80 X 127 RING SUPPORT	01
05	0503010039	D-2000 SCRAPER RING	01
06	0503010952	W2-2250-500 PK RING G.E	01
07	0503010991	PACKING 1870-2000-375-B	01
08	0503010351	2-425 N 3006-9B O'RING	01
09	0503011062	8-425 BACK-UP RING	01
10	0503010345	2-218 N 3006-9B O'RING	01
11	0502010963	2.0" X 5.0" PISTON	01
12	0503010552	PACKING 3750-4250-625-B	02
13	0503010974	W2-5000-500 PK RING G.E	01
14	0503010817	1-1/4" SELF-ADJUSTING NUT	01
15	0503010002	1800 GREASE FITTING	02
16	0501031961	HYDRAULIC CYLINDER REPAIR KIT	01

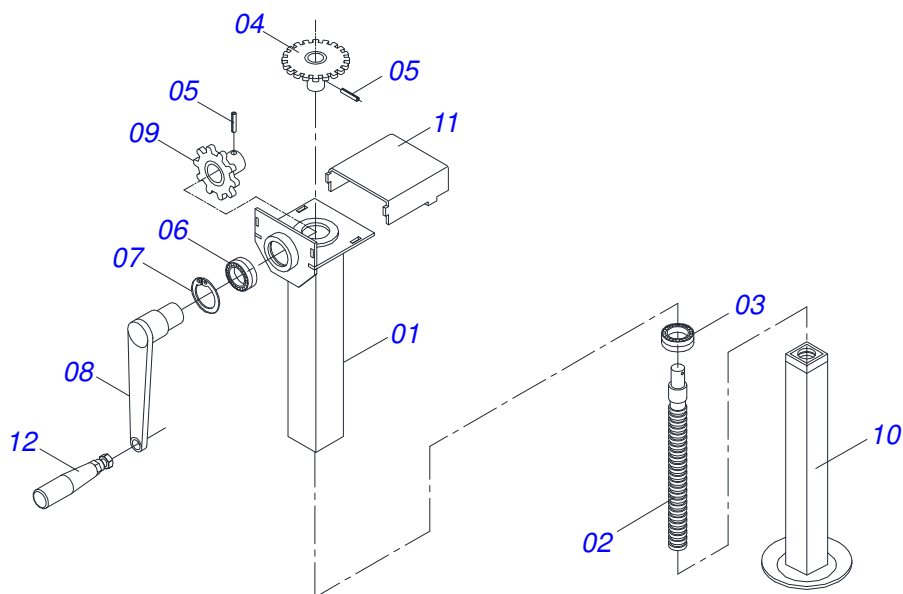
DRAWBAR ASSY



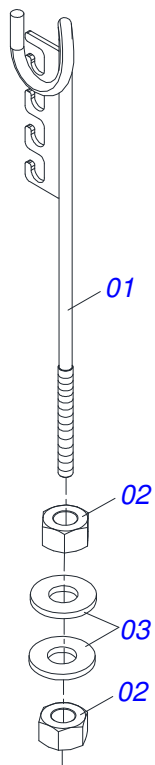
Item	Code	Description	QT
01	0501069323	DRAWBAR ASSY	01
02	1902040223	PIN HITCH	01
03	0521012545	COUPLING SHAFT	01
04	0501011301	1.1/2 UNC 6FPP 2.5/16 NUT	07
05	0503010010	1/4" X 2.1/2" COTTERPIN	07
06	0511014902	COUPLING SHAFT	01
07	0503010571	1/4" X 1.1/2 COTTERPIN	01
08	1902040327	LOCK SLEEVE	01
09	1902040732	COUPLING	01
10	0501067250	UPPER PLATE WITH SUPPORT	01
11	0511016137	UPPER /LOWER PLATE	01
12	0521010779	COUPLING SHAFT	01
13	0503010523	1/4" X 2" COTTERPIN	01
14	0501016419	1-1/2" X 7.5" BOLT	06



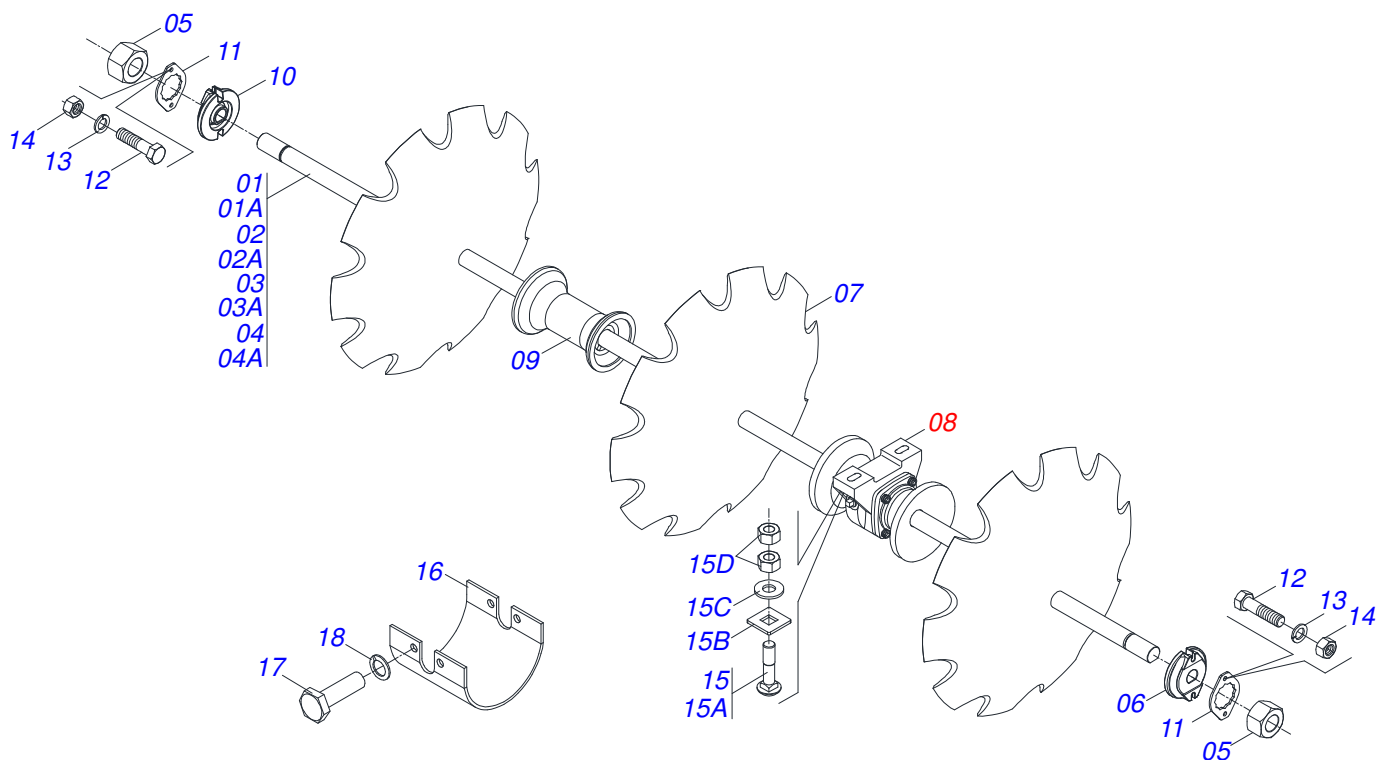
Item	Code	Description	QT
001	0502040223	DRAWBOLT	01
002	0502040327	ANEL TRAVA ENGATE	01
003	0511014902	COUPLING SHAFT	01
004	0503010571	1/4" X 1.1/2 COTTERPIN	01
005	1902040733	U COUPLING HOOK	01
006	0521012545	COUPLING SHAFT	01
007	0501011301	1.1/2 UNC 6FPP 2.5/16 NUT	07
008	0503010010	1/4" X 2.1/2" COTTERPIN	07
009	0511016137	UPPER /LOWER PLATE	01
010	0501067250	UPPER PLATE WITH SUPPORT	01
011	0501016419	1-1/2" X 7.5" BOLT	06
012	0521010779	COUPLING SHAFT	01
013	0503010523	1/4" X 2" COTTERPIN	01
014	0501069323	DRAWBAR ASSY	01



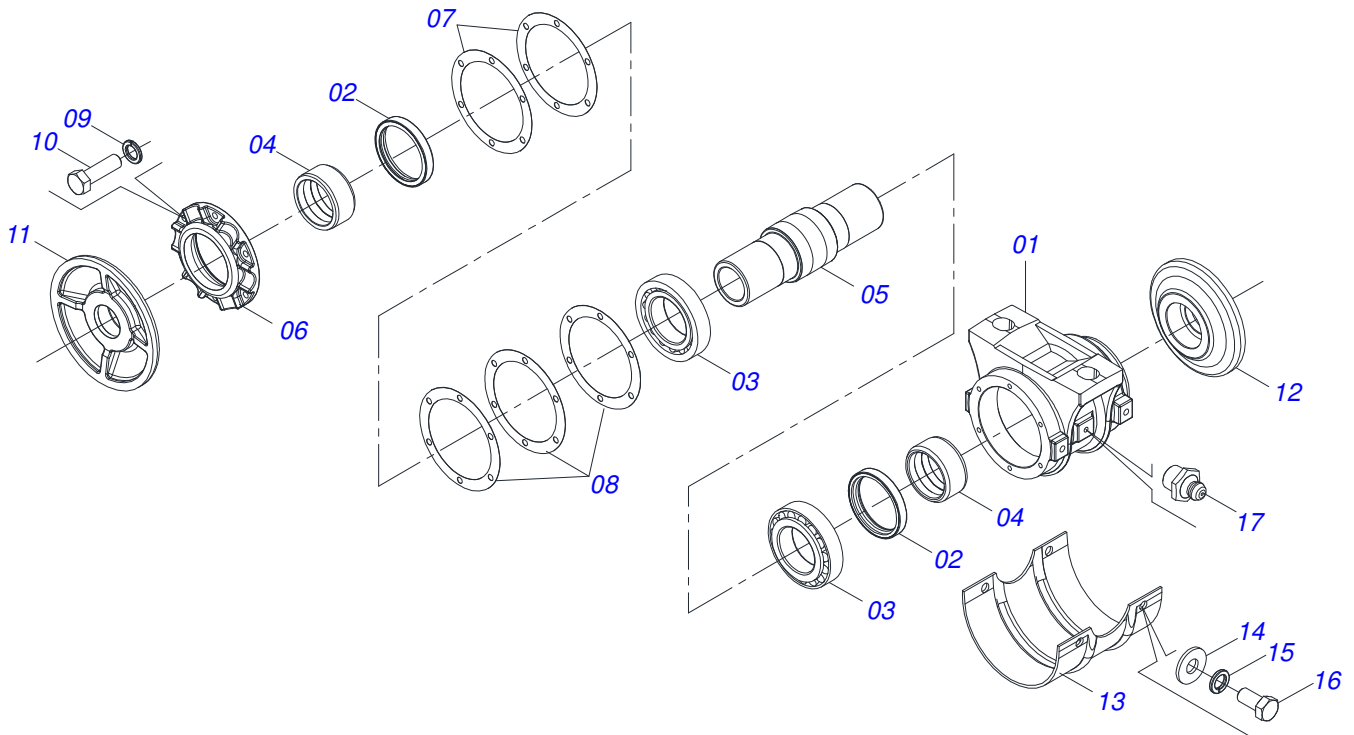
Item	Code	Description	QT
01	0511065948	OUTER BODY DRAWBAR JACK	01
02	0531017603	JACK SPINDLE	01
03	0503013092	51305 BEARING	01
04	0511064234	20Z DRIVER GEAR	01
05	0503010561	SPRING PIN	02
06	0503011410	ROLLER BEARING	01
07	0503011105	SEAL RING	01
08	0511064235	JACK CRANK	01
09	0511064233	10Z DRIVER GEAR	01
10	0511064236	JACK INNER BODY	01
11	0531017602	PROTECTION COVER GEAR	01
12	0503011312	ROTATIVE CABLE	01



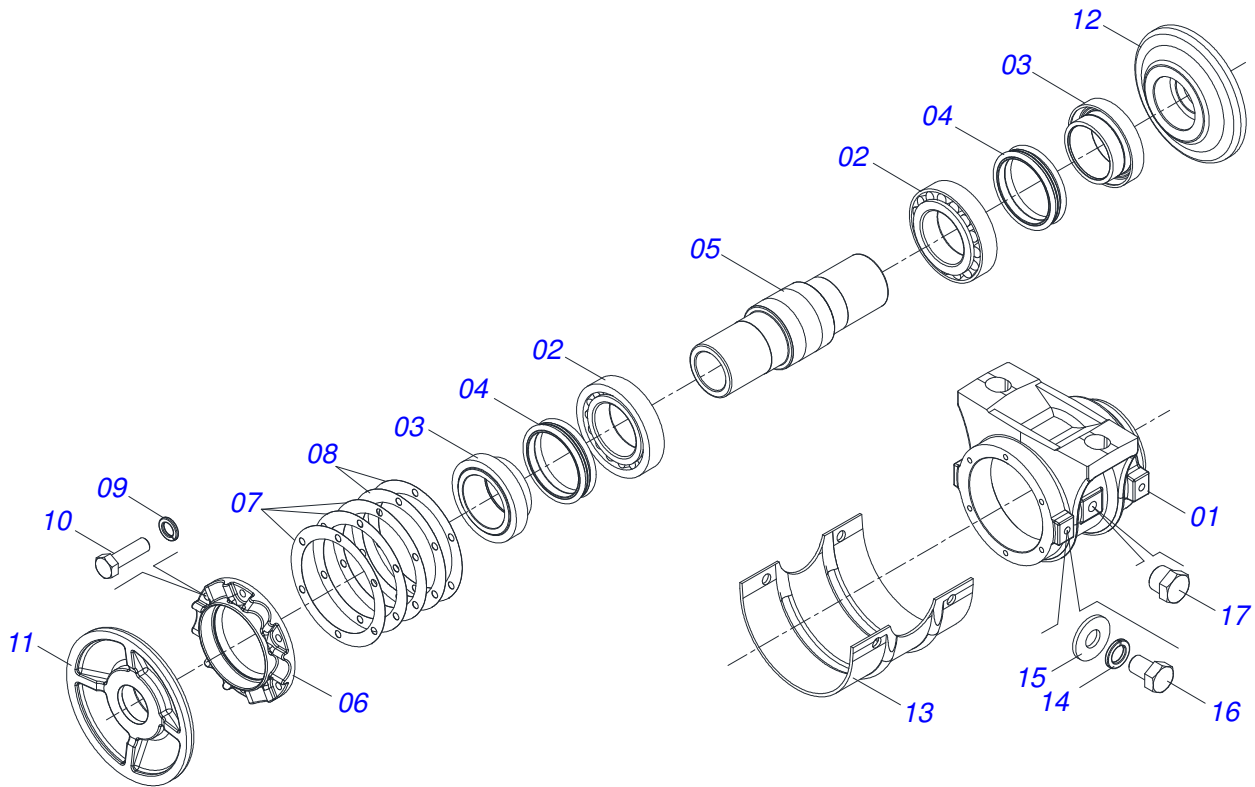
Item	Code	Description	QT
01	0511067334	HOSE SOPPORT ASSY	01
02	0503010014	3/4" NUT	02
03	0501010322	FLAT WASHER	02



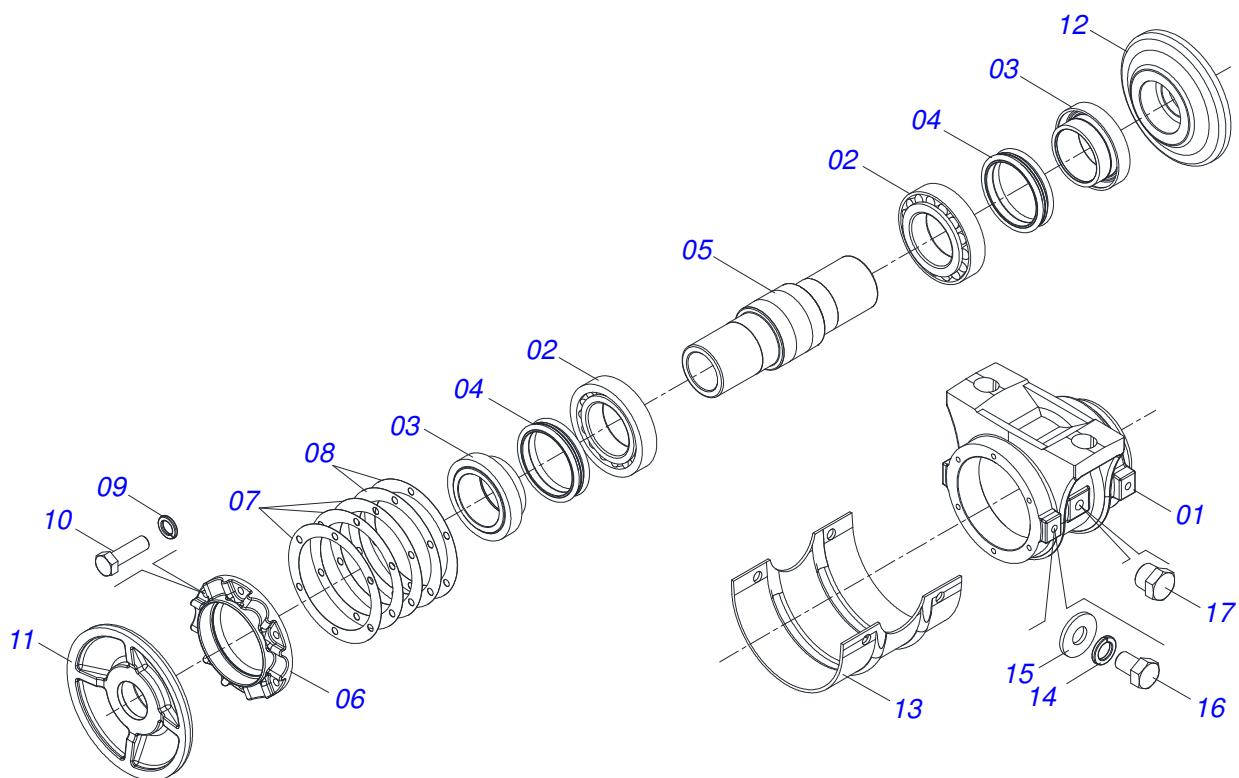
Item	Code	Description	18	20	24	28	30
01	0501041516	2-1/8" X 49" AXLE WITH NUTS	02	00	00	00	00
01A	0501013757	2-1/8" X 49" AXLE	02	00	00	00	00
02	0501041497	2-1/8 X 63" AXLE WITH NUTS	02	04	00	00	06
02A	0501013758	2-1/8" X 63" AXLE	02	04	00	00	06
03	0501041513	2-1/8" X 76" AXLE WITH NUTS	00	00	04	00	00
03A	0501013759	2-1/8" X 76" AXLE	00	00	04	04	00
04	0501041514	2-1/8" X 8.9" AXLE WITH NUTS	00	00	00	04	00
04A	0501013760	2-1/8" X 8.9" AXLE	00	00	00	00	00
05	0502040063	2.1/8" X 54 99 NUT	08	08	08	08	12
06	0502010594	2-1/8" EXTERNAL AXLE WASHER	02	04	04	04	06
07	0602037002	28" X 0.3" NOTCHED DISC BLADE	18	20	24	28	30
07.	0602040001	30" X 0.3" NOTCHED DISC BLADE	18	20	24	28	30
07..	0602044001	32" X 0.3" NOTCHED DISC BLADE	18	20	24	28	30
07...	0602046001	34" X 0.3" NOTCHED DISC BLADE	18	20	24	28	30
08	0501046917	13" X 2-1/8" PR BEARING ASSY	08	08	08	08	12
08.	0501046926	330MM X 2-1/8" RD. OIL BATH BEARING	08	08	08	08	12
08..	0501041519	13" X 2-1/8" OIL BATH BEARING	08	08	08	08	12
09	0502010643	13" 2-1/8" SPACER	06	08	12	12	12
10	0502010595	2-1/8" INNER AXLE WASHER	04	04	04	04	06
11	0501010348	2-1/8"TO 2-1/2" NUT LOCK	08	08	08	08	12
12	0503010232	5/8" X 1.3/4" BOLT	16	16	16	16	24
13	0503010027	SPRING WASHER	16	16	16	16	24
14	0503010013	5/8" NUT	16	16	16	16	24
15	0501042139	1" X 4.3" ASSY BOLT	16	16	16	16	24
15A	0501010952	1" X 4.3" BOLT	16	16	16	16	24
15B	0501010951	1" SQUARE WASHER	16	16	16	16	24
15C	0501011445	FLAT WASHER	16	16	16	16	24
15D	0501010059	1.5/8 NUT	32	32	32	32	48
16	0511013169	PROTECTION COVER BEARING	08	08	08	08	12
17	0503010834	1/2 X 1 BOLT	32	32	32	32	48
18	0503010019	1/2" SPRING WASHER	32	32	32	32	48



Item	Code	Description	QT
001	0502010739	HOUSING CM	01
002	0503010094	02060-GB SEAL	02
003	0503010117	32216 ROLLER BEARING	02
004	0521010488	SPACER	02
005	0502040034	BEARING AXLE	01
006	0502010661	HOUSING CAP CM	01
007	0503030686	7.1" X 5.5" X 0.004" JOINT	02
008	0503030536	7.1" X 5.5" X 0.01" JOINT	03
009	0503011443	SPRING WASHER	06
010	0503010751	C3/8" X 1.1/4" HEX BOLT G.5	06
011	0502040260	OUTER FLANGE	01
012	0502040261	INNER FLANGE	01
013	0511013169	PROTECTION COVER BEARING	01
014	0511017302	FLAT WASHER	04
015	0503010019	1/2" SPRING WASHER	04
016	0503010834	1/2 X 1 BOLT	04
017	0503010002	1800 GREASE FITTING	02



Item	Code	Description	QT
001	0502010742	HOUSING DM	01
002	0503010117	32216 ROLLER BEARING	02
003	0502040123	SEAL RETAINER	02
004	0503030028	JB-257 SEAL	02
005	0502040034	BEARING AXLE	01
006	0502010645	HOUSING CAP DM	01
007	0503030536	7.1" X 5.5" X 0.01" JOINT	03
008	0503030686	7.1" X 5.5" X 0.004" JOINT	02
009	0503011443	SPRING WASHER	06
010	0503010751	C3/8" X 1.1/4" HEX BOLT G.5	06
011	0502040260	OUTER FLANGE	01
012	0502040261	INNER FLANGE	01
013	0511013169	PROTECTION COVER BEARING	01
014	0503010019	1/2" SPRING WASHER	04
015	0511017302	FLAT WASHER	04
016	0503011401	1/2" X 3/4" BOLT	04
017	0503010856	OIL PLUG	02



Item	Code	Description	QT
001	0502010743	HOUSING DM	01
002	0503010117	32216 ROLLER BEARING	02
003	0502040123	SEAL RETAINER	02
004	0503030028	JB-257 SEAL	02
005	0502040034	BEARING AXLE	01
006	0502010645	HOUSING CAP DM	01
007	0503030536	7.1" X 5.5" X 0.01" JOINT	03
008	0503030686	7.1" X 5.5" X 0.004" JOINT	02
009	0503011443	SPRING WASHER	06
010	0503010751	C3/8" X 1.1/4" HEX BOLT G.5	06
011	0502040260	OUTER FLANGE	01
012	0502040261	INNER FLANGE	01
013	0511013169	PROTECTION COVER BEARING	01
014	0503010019	1/2" SPRING WASHER	04
015	0511017302	FLAT WASHER	04
016	0503011401	1/2" X 3/4" BOLT	04
017	0503010856	OIL PLUG	02



MARCHESAN IMPLEMENTOS E MÁQUINAS AGRÍCOLAS TATU S.A.

AV. Marchesan, 1979 - Post office box, 131 - CEP 15994-900 - Matão - SP - Brazil

Phone +55 16.3382-8282

(FAX Parts) + 55 16.3382. 8297 - (Export) + 55 16.3382.1003

e.mail: tatu@marchesan.com.br www.marchesan.com.br

Technical Publications: Elaboration

MARINA PEREZ NIZA

Technical Publications: Revision

MARINA PEREZ NIZA

Contact Catálogo:

E-mail = jgaspari@marchesan.com.br

**ORIGINAL PARTS
TATU**

