

**OFFSET DISK HARROW**

**GAPCR 10/12/14/16D**  
**GAPCR 10/12/14/16D**

**Code:** 0501092385  
**Series:** S-0493  
**Revision:** 00  
**Revision Date:** OCTOBER/2023

# PARTS CATALOGUE



**MARCHESAN**



# PRODUCTS

Code	Working Width	Description
0102060001		GAPCR 10 X 28 X 7,50 CM S-0493
0102060022		GAPCR 10 X 28 X 7,50 DM S-0493
0102060002		GAPCR 10 X 30 X 7,50 CM S-0493
0102060023		GAPCR 10 X 30 X 7,50 DM S-0493
0102060003		GAPCR 10 X 32 X 9,00 CM S-0493
0102060024		GAPCR 10 X 32 X 9,00 DM S-0493
0102060004		GAPCR 12 X 28 X 7,50 CM S-0493
0102060025		GAPCR 12 X 28 X 7,50 DM S-0493
0102060108		GAPCR 12 X 28 X 7,50 DM TERR S-0493
0102060005		GAPCR 12 X 30 X 7,50 CM S-0493
0102060026		GAPCR 12 X 30 X 7,50 DM S-0493
0102060109		GAPCR 12 X 30 X 7,50 DM TERR S-0493
0102060064		GAPCR 12 X 32 X 12,00 DM S-0493
0102060124		GAPCR 12 X 32 X 12,00 DM S/PN S493
0102060006		GAPCR 12 X 32 X 9,00 CM S-0493
0102060027		GAPCR 12 X 32 X 9,00 DM S-0493
0102060135		GAPCR 12 X 32 X 9,00 DM PN 11L15 S-0493
0102060126		GAPCR 12 X 32 X 9,00 DM COR-TEN
0102060066		GAPCR 12 X 34 X 9,00 CM S-0493
0102060076		GAPCR 12 X 34 X 9,00 DM S-0493
0102060234		GAPCR 12 X 34 X 9,00 DM PN 11L15 S-0493
0102060007		GAPCR 14 X 28 X 7,50 CM S-0493
0102060028		GAPCR 14 X 28 X 7,50 DM S-0493
0102060110		GAPCR 14 X 28 X 7,50 DM TERR S-0493
0102060050		GAPCR 14 X 28 X 9,00 DM S-0493
0102060144		GAPCR 14 X 30 X 7,5 DM PN11L15 S493
0102060008		GAPCR 14 X 30 X 7,50 CM S-0493
0102060029		GAPCR 14 X 30 X 7,50 DM S-0493
0102060111		GAPCR 14 X 30 X 7,50 DM TERR S-0493
0102060063		GAPCR 14 X 32 X 12,00 DM S-0493

## ATTENTION: IMPORTANT

Marchesan S.A. reserves the right to improve and/or modify the technical features of its products, without obligation to do the same with those products already sold and without prior knowledge of the dealer or the customer. The photos are only illustrative.



# PRODUCTS

0102060122	GAPCR 14 X 32 X 7,50 DM	S-0493
0102060115	GAPCR 14 X 32 X 9,0 DM PN11L15	S493
0102060009	GAPCR 14 X 32 X 9,00 CM	S-0493
0102060030C	GAPCR 14 X 32 X 9,00 DM	EXP S-0493
0102060030	GAPCR 14 X 32 X 9,00 DM	S-0493
0102060116	GAPCR 14 X 34 X 9,0 DM PN11L15	S-0493
0102060077	GAPCR 14 X 34 X 9,00 CM	S-0493
0102060080	GAPCR 14 X 34 X 9,00 DM	S-0493
0102060128	GAPCR 14X32X12,00 DM S/PN/SIST	RODG
0102060010	GAPCR 16 X 28 X 7,50 CM	S-0493
0102060031	GAPCR 16 X 28 X 7,50 DM	S-0493
0102060112	GAPCR 16 X 28 X 7,50 DM TERR	S-0493
0102060011	GAPCR 16 X 30 X 7,50 CM	S-0493
0102060032	GAPCR 16 X 30 X 7,50 DM	S-0493
0102060113	GAPCR 16 X 30 X 7,50 DM TERR	S-0493
0102060118	GAPCR 16 X 30 X 9,00 DM	S-0493
0102060117	GAPCR 16 X 32 X 12,00 DM	S-0493
0102060142	GAPCR 16 X 32 X 8,00 DM	S-0493
0102060012	GAPCR 16 X 32 X 9,00 CM	S-0493
0102060033	GAPCR 16 X 32 X 9,00 DM	S-0493
0102060033C	GAPCR 16 X 32 X 9,00 DM	EXP S-0493
0102060078	GAPCR 16 X 34 X 9,00 DM	S-0493
0102060206	GAPCR 16X30X7,50 DM PN11L15	S-0493
0102060065	GAPCR 16X32X9,00 DM PN11L15	S-0493
0102060370	GAPCR 16X32X9,00 DR DMO E 2.1/8	PN11L15 S-0493
0102060163	GAPCR 16X34X9,00 DM PN 11L15	S-0493

## ATTENTION: IMPORTANT

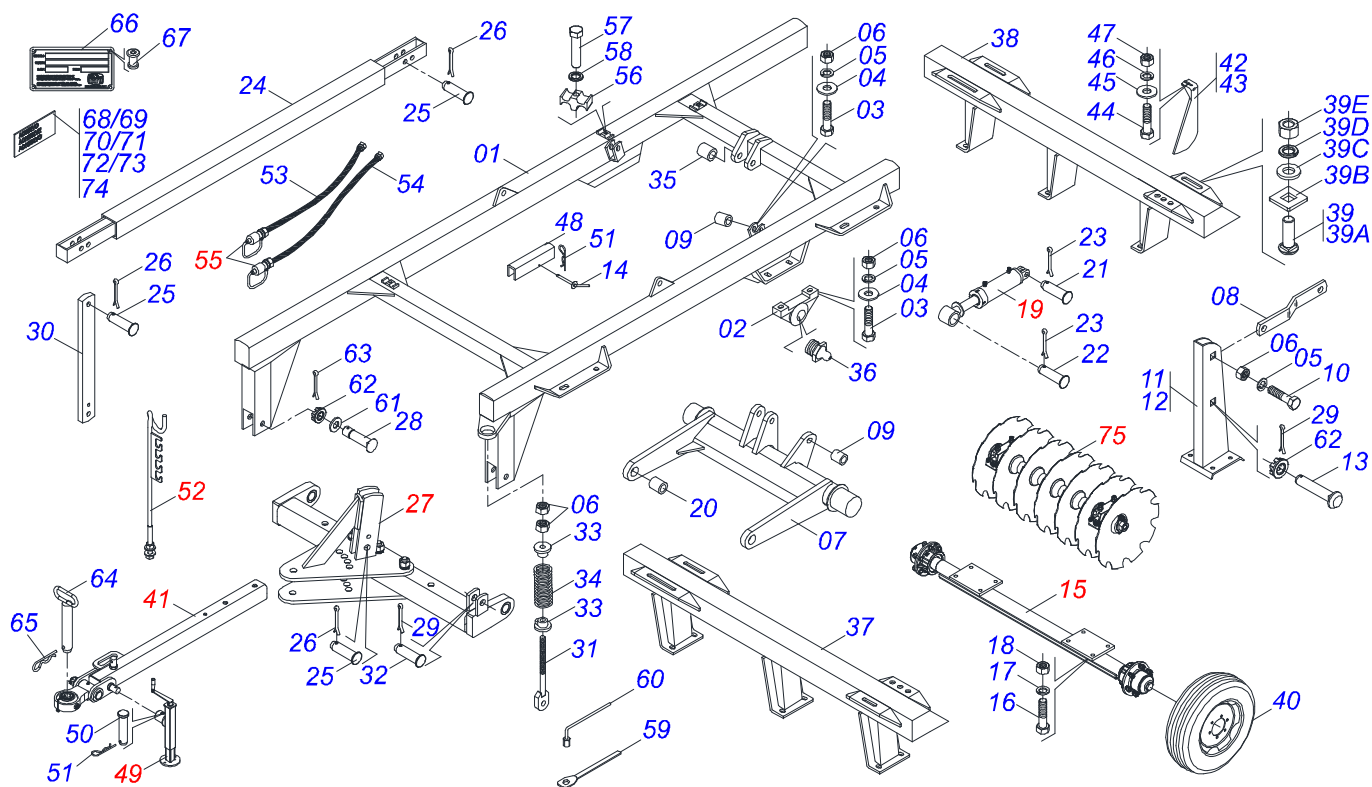
Marchesan S.A. reserves the right to improve and/or modify the technical features of its products, without obligation to do the same with those products already sold and without prior knowledge of the dealer or the customer. The photos are only illustrative.



**MARCHESAN**

# INDEX

0909095007	ASSY FRAME 10/12/14/16D	.....	1
0501047937	3" X 73.2" STUB SHAFT & HUB ASSY	.....	2
0501044309	2.0" X 5" X 20" X 10" HYDRAULIC CYLINDER	.....	3
0511040013	OFFSET BAR ASSY	.....	4
0521048502	ASSY TRACTION BAR	.....	5
0521053943	HITCH WITH ASSY ROTULA SUPPORT	.....	6
0503062157	DRAWBAR JACK	.....	7
0503060005	29.5"X0.63"-10L WHEEL WITH TIRE ASSY	.....	8
0503061869	WHEEL AND TIRE ASSY	.....	9
0503061864	WHEEL SET	.....	10
0501040257	ASSY 3/4 X 38 HOSE SUPPORT	.....	11
0501053834	MALE QUICK COUPLER	.....	12
0909095019	GANG DISC 10/12/14/16	.....	13
0501046917	CM GX 330 X 2.1/8 C/PROT IMP BEARING	.....	14
0501046926	BEARING	.....	15
0501043387	CM GX 13" 2-1/8" BEARING ASSY	.....	16
0501041519	13" X 2-1/8" OIL BATH BEARING	.....	17
0531041671	DMO 330 X 2.1/8 BERIANG	.....	18
0531053200	DMO 330 X 2.1/8 IMP BEARING	.....	19



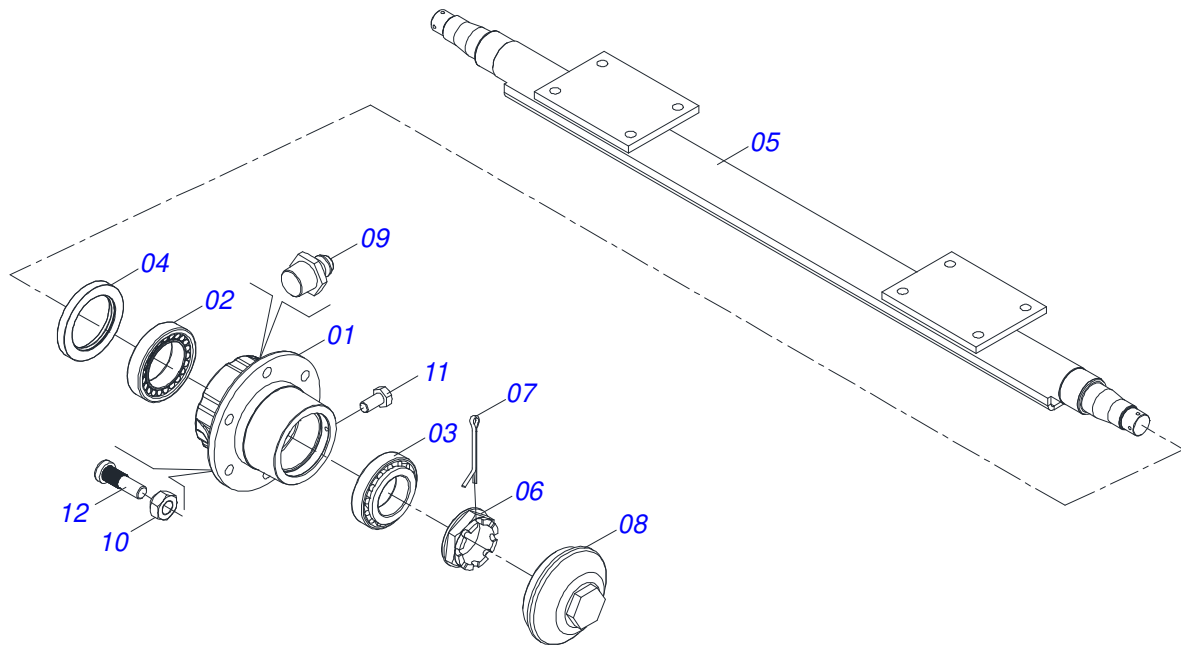
Item	Code	Description	See page	10	12	14	16
01	0501067011	CENTER FRAME		01	01	01	01
01.	0511068723	FRAME		00	01	00	00
02	0502010972	ARTICULACION BEARING		02	02	02	02
03	0503011432	BOLT		04	04	04	04
04	0501010065	1" SPRING WASHER		04	04	04	04
05	0503011438	SPRING WASHER		20	20	20	20
06	0501010059	1.5/8 NUT		22	22	22	22
07	0501068210	CARRYING-WHEELS		01	01	01	01
08	0501110404	SUPPORT BAR		02	02	02	02
09	0511019921	1.3" X 0.1" X 1" SLEEVE		05	05	05	05
10	0503011432	BOLT		04	04	04	04
11	0501068260	RIGHT SUSPENSION TOWER		01	01	01	01
12	0501068261	LEFT SUSPENSION TOWER		01	01	01	01
13	0511818006	BOLT		02	02	02	02
14	0501068994	8,30 X 78 LOCK PIN		01	01	01	01
15	0501047937	3" X 73.2" STUB SHAFT & HUB ASSY	2	01	01	01	01
16	0501810125	SCREW 3/4 UNC X 2.1/2 C S G.5		08	08	08	08
17	0503011442	3/4" SPRING WASHER		09	09	09	09
18	0503010014	3/4" ZN G.5 (HEAVY) UNC HEX NUT		09	09	09	09
19	0501044309	2.0" X 5" X 20" X 10" HYDRAULIC CYLINDER	3	01	01	01	01
20	0521010465	1.3" X 1.7" X 1.3" SLEEVE		02	02	02	02
21	0511810174	COUPLING SHAFT		01	01	01	01
22	0521010547	1.2" X 6.5" COUPLING SHAFT		01	01	01	01
23	0503010523	1/4" X 2" SPLIT PIN		04	04	04	04
24	0501066222	STABILIZER BAR		01	01	01	01
25	0521010575	C0.9" X 3.3" COUPLING SHAFT		03	03	03	03
26	0503010571	1/4" X 1.1/2" SPLIT PIN		04	04	04	04
27	0511040013	OFFSET BAR ASSY	4	01	01	01	01
28	0521017538	11-1/2" X 5" COUPLING SHAFT		02	02	02	02
29	0503010534	3/8" X 2.1/2" SPLIT PIN		02	02	02	02

Item	Code	Description	See page	10	12	14	16
30	0511012972	STABILIZER BAR TOWER		01	01	01	01
31	0501066240	SPRING ROD		01	01	01	01
32	0521010592	1.1" X 3.1" COUPLING SHAFT		01	01	01	01
33	0502020392	SPRING SUPPORT		02	02	02	02
34	0503030441	12.7" X 5.7" X 0.5"SPRING		01	01	01	01
35	0511019920	SLEEVE 32,70 X 38,80 X 25,40		04	04	04	04
36	0503010002	1800 GREASE FITTING		02	02	02	02
37	0501060475	FRONT FRAME - 10		01	00	00	00
37.	0511068721	FRONT FRAME COR-TEN - 12		00	01	00	00
37..	0501060476	FRONT FRAME - 12		00	01	00	00
37...	0501060477	FRONT FRAME - 14		00	00	01	00
37....	0501060487	FRONT FRAME - 16		00	00	00	01
38	0501060478	REAR FRAME - 10		01	00	00	00
38.	0511068722	REAR FRAME COR-TEN - 12		00	01	00	00
38..	0501060479	REAR FRAME - 12		00	01	00	00
38...	0501060480	REAR FRAME - 14		00	00	01	00
38....	0501060491	REAR FRAME - 16		00	00	00	01
39	0501040877	C1" X 3-1/4" ASSY BOLT		08	08	08	08
39A	0501010171	BOLT 1 UNC X 3.1/2 C S G.5		08	08	08	08
39B	0502012861	1" SQUARE WASHER		08	08	08	08
39C	0501010065	1" SPRING WASHER		08	08	08	08
39D	0503010012	1" SPRING WASHER		08	08	08	08
39E	0501010059	1.5/8 NUT		08	08	08	08
40	0503060005	29.5"X0.63"-10L WHEEL WITH TIRE ASSY	8	02	02	02	02
40.	0503061869	WHEEL AND TIRE ASSY	9	00	02	02	02
40..	0503061864	WHEEL SET	10	00	00	00	02
41	0521048502	ASSY TRACTION BAR	5	01	01	01	01
42	0501060423	FRONT SCRAPER		05	06	07	08
43	0501060424	REAR SCRAPER		05	06	07	08
44	0503010233	5/8" X 2-1/2" BOLT		10	12	14	16
45	0501012140	FLAT WASHER 16,50 X 40 X 4,00 ZN		10	12	14	16
46	0503010027	5/8 SPRING WASHER		10	12	14	16
47	0503010013	5/8" UNC G.5 ZN HEX NUT		10	12	14	16
48	0501066386	TRANSPORT LOCK 9.54"		01	01	01	01
49	0503062157	DRAWBAR JACK	7	01	01	01	01
50	0521010549	COUPLING SHAFT		01	01	01	01
51	0503030168	HITCH PIN CLIP		02	02	02	02
52	0501040257	ASSY 3/4 X 38 HOSE SUPPORT	11	01	01	01	01
53	0501080476	3/8" X 26" TC-TM HOSE ASSY		01	01	01	01
54	0501080477	HOSE 3/8 X 7012 TC-TM		01	01	01	01
55	0501053834	MALE QUICK COUPLER	12	02	02	02	02
56	0502012702	BODY SUPPORT CLAMP		03	03	03	03
57	0503012555	SCREW 7/16 UNC X 2 CS RT G.7 ZN		03	03	03	03
58	0503010180	7/16" SPRING WASHER		03	03	03	03
59	0501061044	2-1/8" AND 2-1/2" CABLE FLAT WRENCH		02	02	02	02
60	0501061045	1" WRENCH CYLINDRICAL		01	01	01	01
61	0511019880	FLAT WASHER		02	02	02	02
62	0501011301	1.1/2" UNC 6FPP 2.5/16" NUT		02	02	02	02
63	0503010010	SPLIT PIN 1/4" X 2.1/2"		02	02	02	02
64	0501069080	COUPLING SHAFT		01	01	01	01
65	0503031035	HITCH PIN CLIP		01	01	01	01
66	0503034003	61 X 118 SERIAL NUMBER TAG		01	01	01	01
67	0503010001	RIVET 3,2 X 5,5		04	04	04	04
68	0503060788	SET OF ADHESIVE STICKERS		01	01	01	01
69	0503034078	LIFTING POINTS DECAL		01	01	01	01
70	0503031738	WARNING DECAL		01	01	01	01
71	0503031739	DANGER DECAL		01	01	01	01



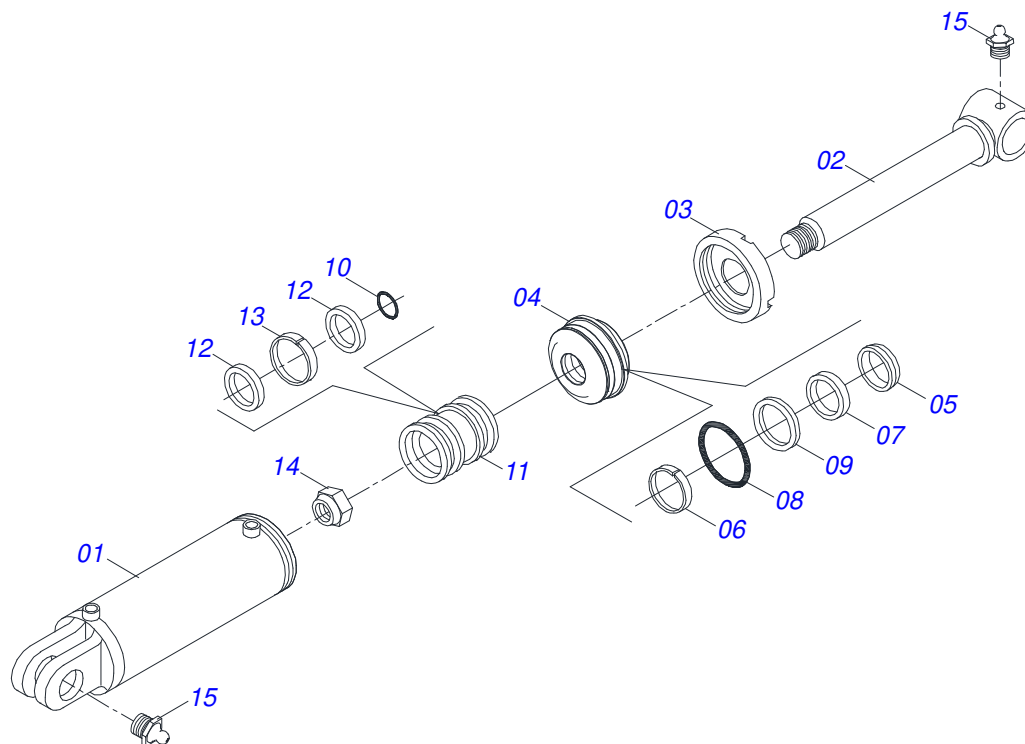
**GAPCR 10/12/14/16D**  
**ASSY FRAME 10/12/14/16D**

<b>Item</b>	<b>Code</b>	<b>Description</b>	<b>See page</b>	<b>10</b>	<b>12</b>	<b>14</b>	<b>16</b>
72	0503031428	READ MANUAL DECAL		01	01	01	01
73	0503031827	LUBRICATE AND RETIGHTEN DAILY DECAL		01	01	01	01
74	0503031087	AUTO CONTROL APPROVED DECAL		01	01	01	01
75		GANG DISC 10/12/14/16	13				

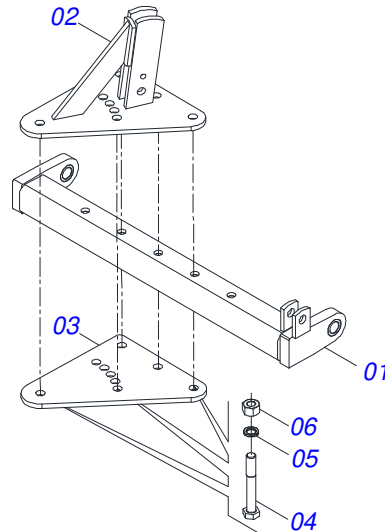


Item	Code	Description	See page	QT
01	0502011389	BOX		02
02	0503010006	32210 ROLLER BEARING		02
03	0503010005	32212 ROLLER BEARING		02
04	0503011866	SEAL 00573-B WITH HOLE		02
05	0501066915	3" X 71" AXLE		01
06	0501010888	1.3/4" 2.5/16" CASTLE NUT		02
07	0503010010	SPLIT PIN 1/4" X 2.1/2"		02
08	0502020593	COVER		02
09	0503010002	1800 GREASE FITTING		02
10	0503010064	5/8 UNF CONIC NUT		12
11	0503010295	SCREW 5/16 UNC X 5/8 CS G.2 ZN		02
12	0501010186	WHEEL BOLT 5/8" UNF X 2.1/8CR		12

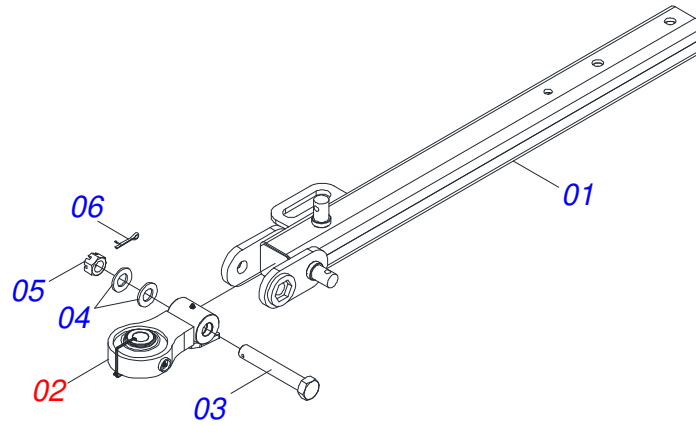




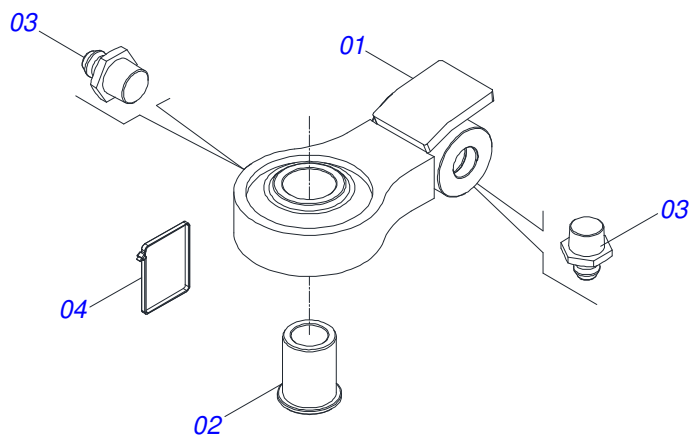
Item	Code	Description	See page	QT
01	0501069075	BODY 127 X 424		01
02	0501068963	HYDRAULIC CYLINDER TURNBUCKLE		01
03	0502010382	5" END CAP		01
04	0502012227	2" X 5" RING SUPPORT		01
05	0503010039	D-2000 SCRAPER RING		01
06	0503010952	W2-2250-500 RING		01
07	0503010991	1870-2000-375-B GASKET		01
08	0503010351	2-425 N 3006-9B O'RING		01
09	0503011062	8-425 BACK-UP RING		01
10	0503010345	2-218 N 3006-9B O'RING		01
11	0502010963	2.0" X 5.0" PISTON		01
12	0503010552	PACKING 3750-4250-625-B		02
13	0503010974	W2-5000-500 RING		01
14	0503010817	SELF LOCKING NUT 1.1/4 UNF ALTA G.5 ZN		01
15	0503010002	1800 GREASE FITTING		02
16	0501031961	HYDRAULIC CYLINDER REPAIR KIT		01



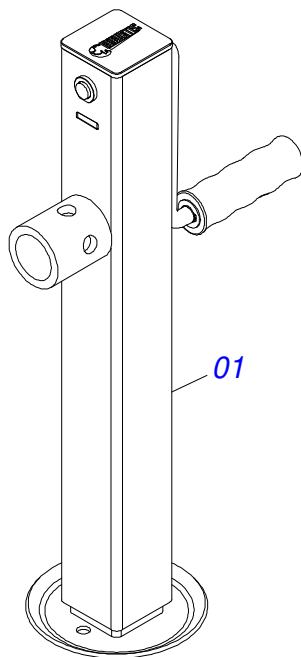
Item	Code	Description	See page	QT
01	0501066223	OFFSET BAR		01
02	0501066235	UPPER PLATE WITH SUPPORT		01
03	0511013000	UPPER /LOWER PLATE		01
04	0501010334	1" X 7" BOLT		05
05	0503011438	SPRING WASHER		05
06	0501010059	1.5/8 NUT		05



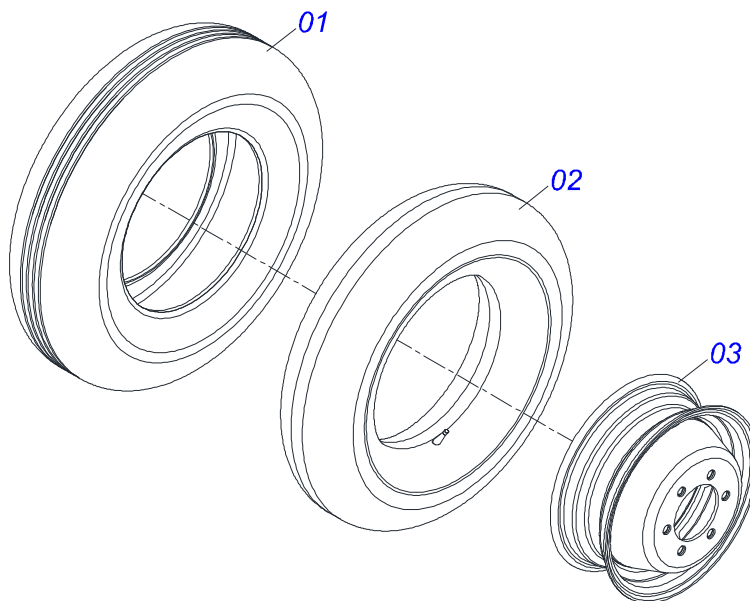
Item	Code	Description	See page	QT
01	0521069165	DRAWBAR		01
02	0521057520	HITCH ASSY		01
03	0581015973	1.1/4 UNC X 8 C S G5 SCREW		01
04	0501017779	FLAT WASHER 32 X 60 X 4,75		02
05	0503013026	1.1/4" CASTLE NUT		01
06	0503010010	SPLIT PIN 1/4" X 2.1/2"		01



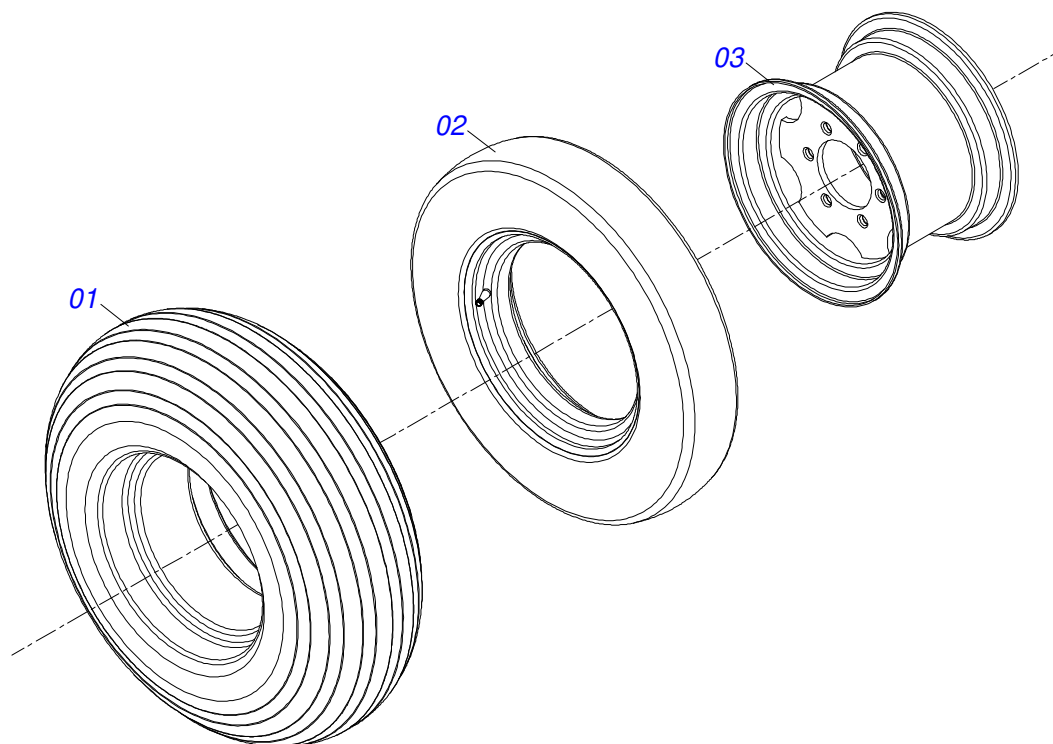
Item	Code	Description	See page	QT
01	0521069166	HITCH		01
02	0581018413	SLEEVE		01
03	0503010002	1800 GREASE FITTING		02
04	0503016033	4.8 X 1.3 X 300 MM NYLON CLAMP		01



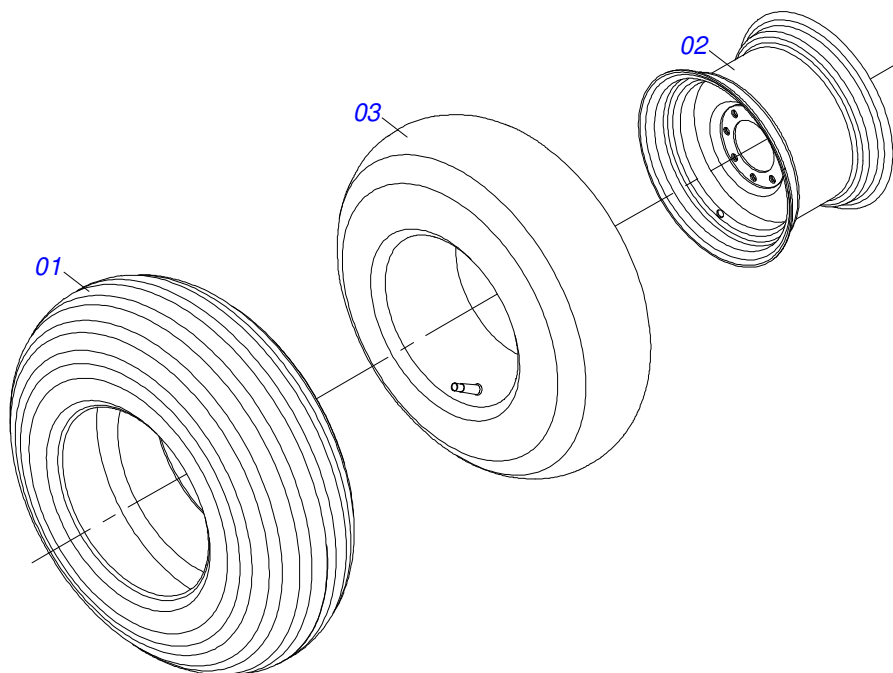
Item	Code	Description	See page	QT
01	0503062157	DRAWBAR JACK	7	01



Item	Code	Description	See page	QT
01	0503010120	CANVAS TIRE		01
02	0503010033	7.50 X 16 INNER TIRE		01
03	0501061845	0.2"X0.6"X5.1"X6F0.6"X6.8"-D WHEEL		01

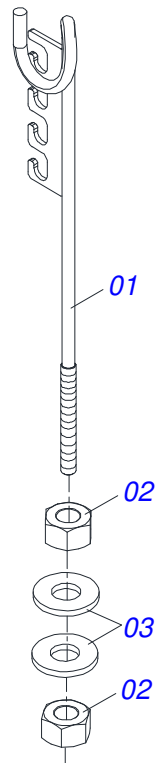


Item	Code	Description	See page	QT
01	0503011469	RIB TIRE BL - 12L		01
02	0503010860	AIR CHAMBER 11L 15		01
03	0511064777	CR 30M/2-L15 WHEEL		01

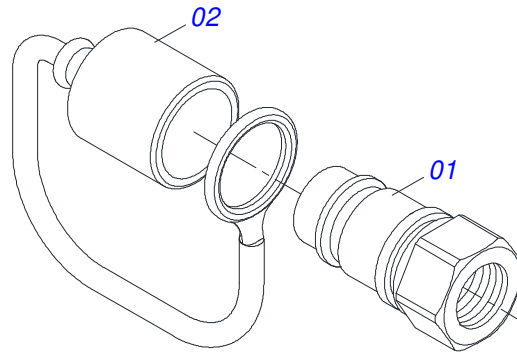


Item	Code	Description	See page	QT
01	0503011469	RIB TIRE BL - 12L		01
02	0511064777	CR 30M/2-L15 WHEEL		01
03	0503010860	AIR CHAMBER 11L 15		01

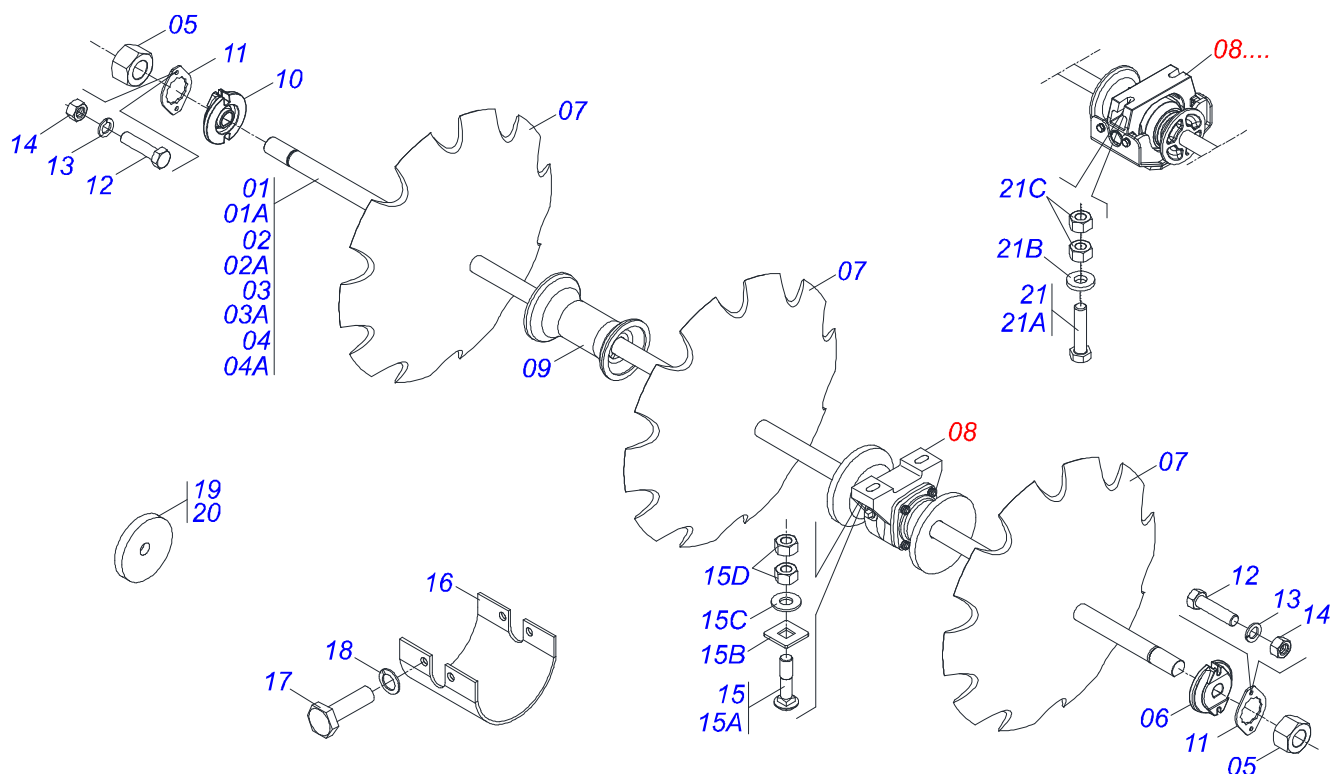




Item	Code	Description	See page	QT
01	0511067334	HOSE SUPPORT		01
02	0503010014	3/4" ZN G.5 (HEAVY) UNC HEX NUT		02
03	0501010322	20,50 X 46 X 4,00 ZN FLAT WASHER		02



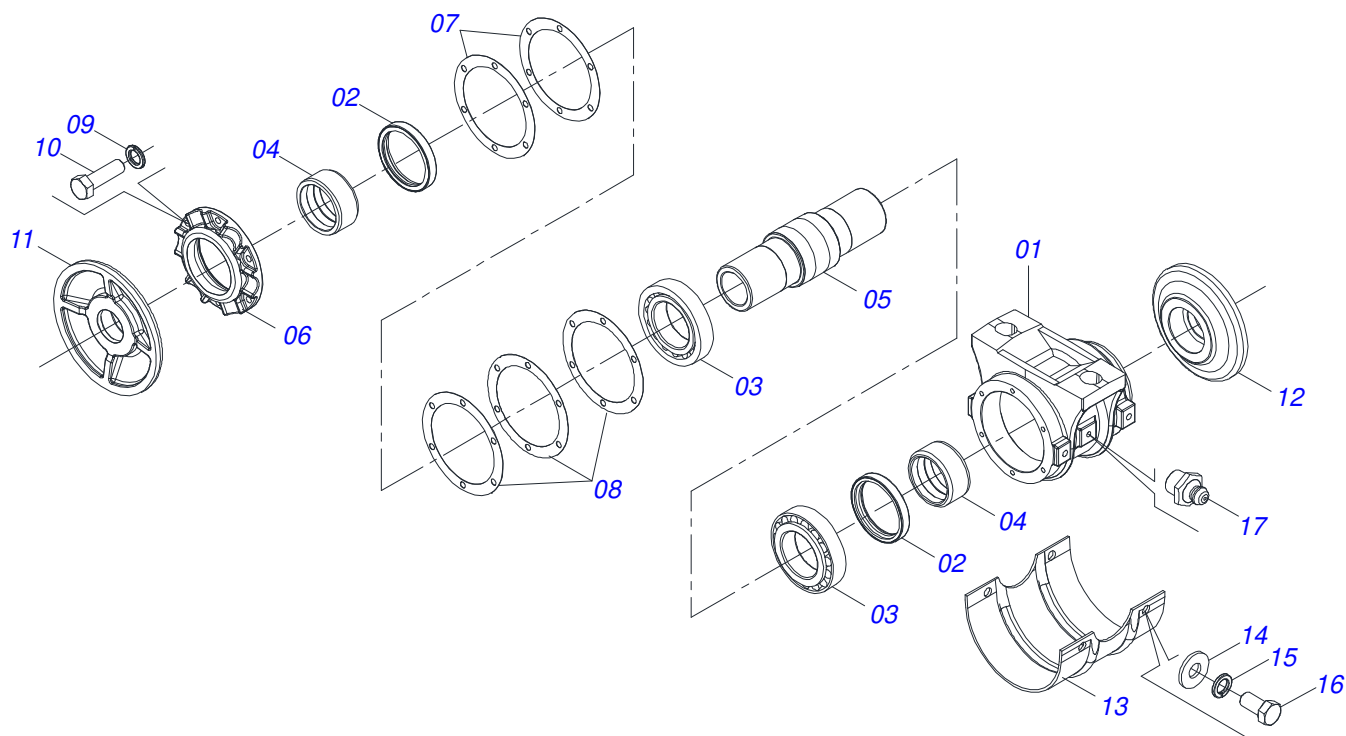
Item	Code	Description	See page	QT
01	0503011627	MALE QUICK COUPLER AGR 1/2 NPT		01
02	0503011882	MALE QUICK COUPLER CAP		01



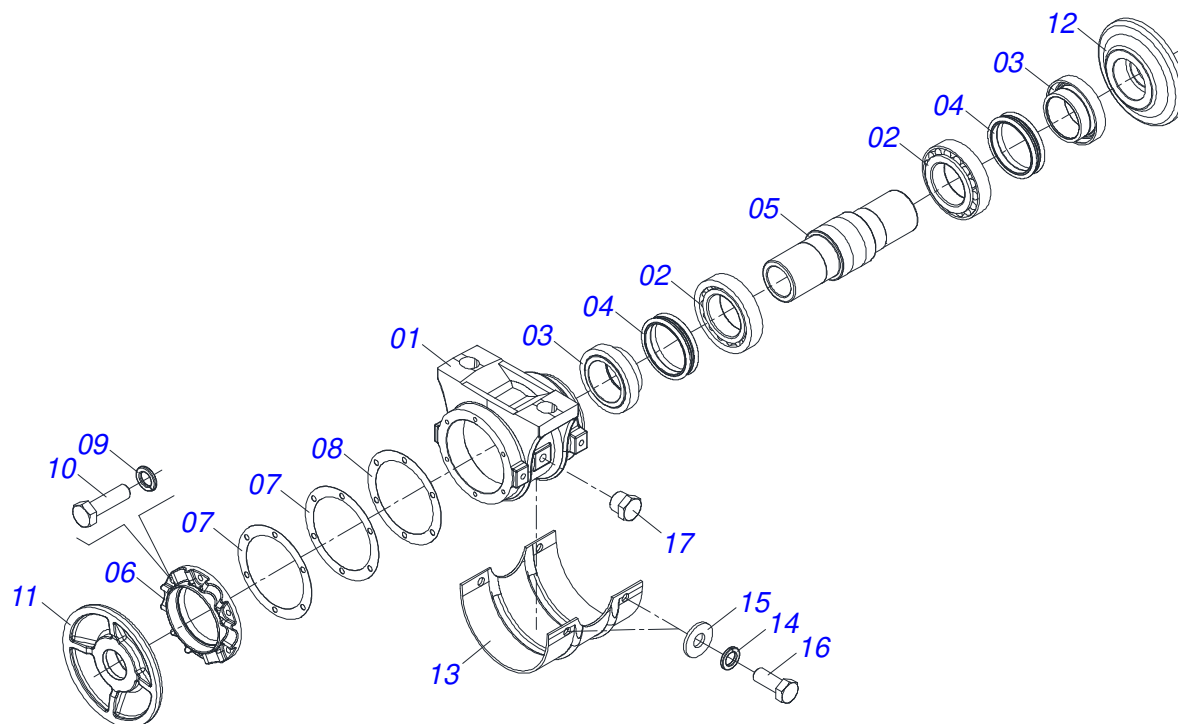
Item	Code	Description	See page	10	12	14	16
01	0501041497	2-1/8 X 63" AXLE WITH NUTS		02	00	00	00
01A	0501013758	2-1/8" X 63" AXLE		02	00	00	00
02	0511042123	2-1/8" X 76" AXLE WITH NUTS		00	02	00	00
02A	0501013759	2-1/8" X 76" AXLE		00	02	00	00
03	0501041514	2-1/8" X 8.9" AXLE WITH NUTS		00	00	02	00
03A	0501013760	2-1/8" X 8.9" AXLE		00	00	02	00
04	0501041515	2-1/8" X 102" AXLE WITH NUTS		00	00	00	02
04A	0501013761	2-1/8" X 102" AXLE		00	00	00	02
05	0502040063	2-1/8" X 54 99 NUT		04	04	04	04
06	0502010594	2-1/8" EXTERNAL AXLE WASHER		02	02	02	02
07	0602037002	28" X 0.3" NOTCHED DISC BLADE		10	12	14	16
07.	0602040001	30" X 0.3" NOTCHED DISC BLADE		10	12	14	16
07..	0602044001	32" X 0.3" NOTCHED DISC BLADE		10	12	14	16
07...	0602046013	34" X 0.3" NOTCHED DISC BLADE		10	12	14	16
08	0501046917	CM GX 330 X 2.1/8 C/PROT IMP BEARING	14	04	04	04	06
08.	0501043387	CM GX 13" 2-1/8" BEARING ASSY	16	04	04	04	06
08..	0501046926	BEARING	15	04	04	04	06
08...	0501041519	13" X 2-1/8" OIL BATH BEARING	17	04	04	04	06
08....	0531041671	DMO 330 X 2.1/8 BERIANG	18	00	00	00	06
09	0502010643	13" 2-1/8" SPACER		04	06	08	08
10	0502010595	2-1/8" INNER AXLE WASHER		02	02	02	02
11	0541010368	NUT LOCK		04	04	04	04
12	0503010232	5/8" X 1.3/4" BOLT		08	08	08	08
13	0503010027	5/8 SPRING WASHER		08	08	08	08
14	0503010013	5/8" UNC G.5 ZN HEX NUT		08	08	08	08
15	0501042139	1" X 4.3" ASSY BOLT		08	08	08	12
15A	0501010952	1" X 4.3" BOLT		08	08	08	12
15B	0501010951	1" SQUARE WASHER		08	08	08	12
15C	0501011445	FLAT WASHER		08	08	08	12
15D	0501010059	1.5/8 NUT		16	16	16	24



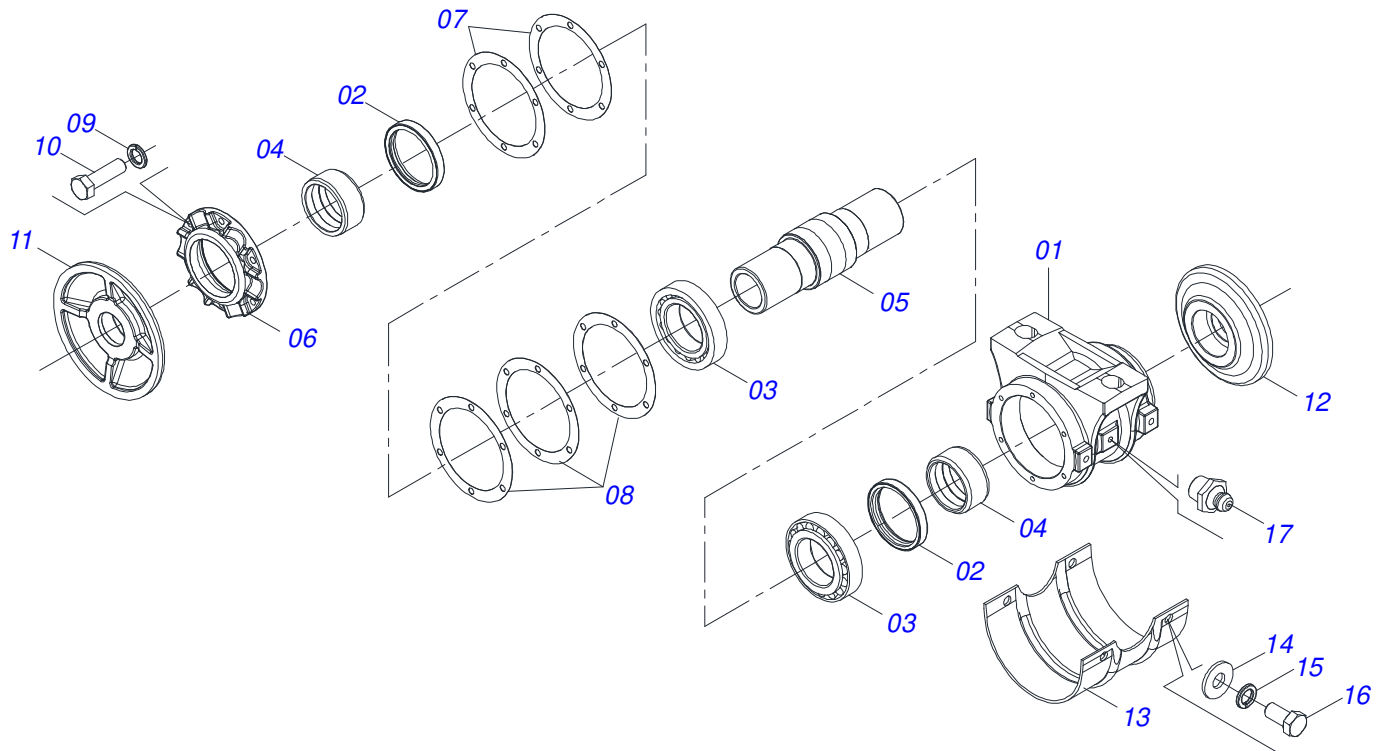
Item	Code	Description	See page	10	12	14	16
16	0511013169	PROTECTION COVER BEARING		04	04	04	06
17	0503010834	1/2 X 1 BOLT		16	16	16	24
18	0503010019	1/2" SPRING WASHER		16	16	16	24
19	0511015812	SPACER FLANGE		02	02	02	02
20	0511015813	SPACER FLANGE		02	02	02	02
21	0531041581	1 X 4 SCREW ASSEMBLY SWING BEARING		00	00	00	12
21A	0503011432	BOLT		00	00	00	01
21B	0541010210	FLAT WASHER		00	00	00	01
21C	0501010059	1.5/8 NUT		00	00	00	02



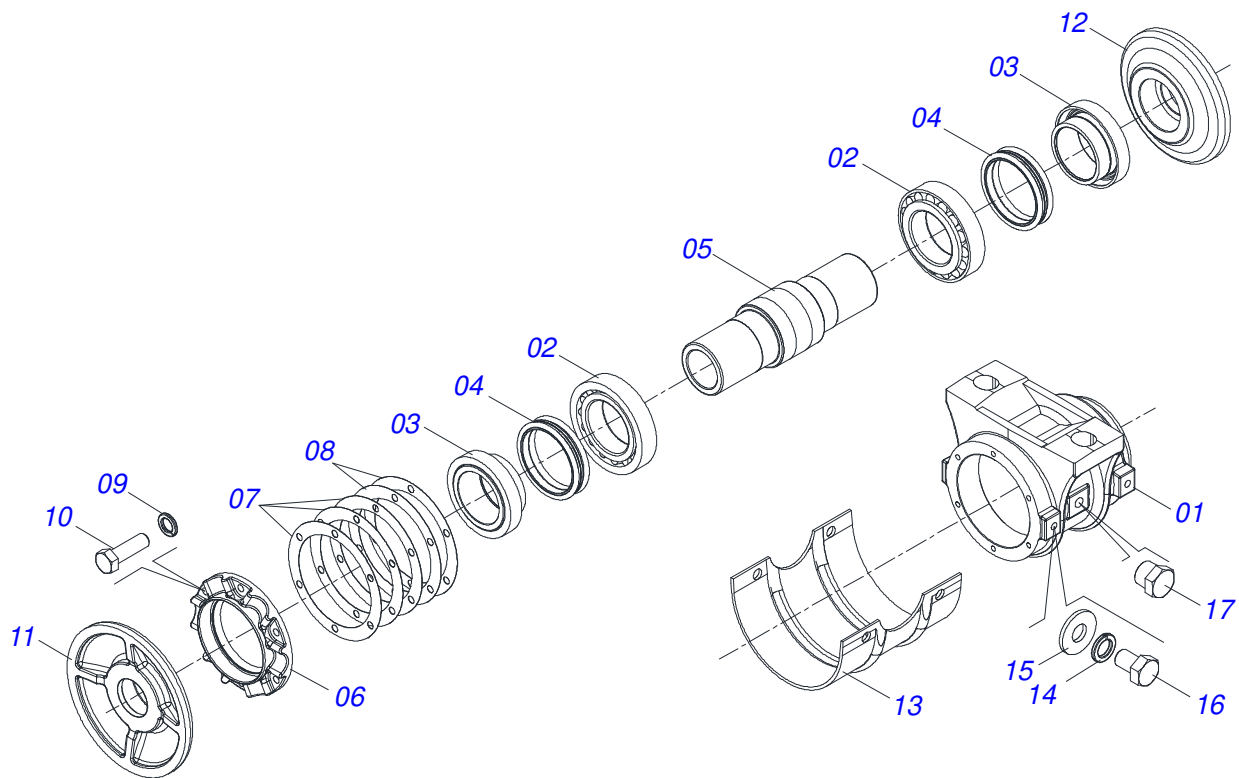
Item	Code	Description	See page	QT
01	0502010739	HOUSING CM		01
02	0503010094	02060-GB SEAL		02
03	0503010117	32216 ROLLER BEARING		02
04	0521010488	SPACER		02
05	0502040034	BEARING AXLE		01
06	0502010661	HOUSING CAP CM		01
07	0503030686	7.1" X 5.5" X 0.004" JOINT		01
08	0503030536	7.1" X 5.5" X 0.01" JOINT		02
09	0503011443	SPRING WASHER 3/8"		06
10	0503010751	C3/8" X 1.1/4" HEX BOLT G.5		06
11	0502040260	OUTER FLANGE		01
12	0502040261	INNER FLANGE		01
13	0511013169	PROTECTION COVER BEARING		01
14	0511017302	FLAT WASHER 13,50 X 32,50 X 3,0 ZN		04
15	0503010019	1/2" SPRING WASHER		04
16	0503010834	1/2 X 1 BOLT		04
17	0503010002	1800 GREASE FITTING		02
18	1882970002	GREASE		0,8 Kgs



Item	Code	Description	See page	QT
01	0502010742	HOUSING DM		01
02	0503010117	32216 ROLLER BEARING		02
03	0502040123	SEAL RETAINER		02
04	0503030028	JB-257 SEAL		02
05	0502040034	BEARING AXLE		01
06	0502010645	HOUSING CAP DM		01
07	0503030536	7.1" X 5.5" X 0.01" JOINT		02
08	0503030686	7.1" X 5.5" X 0.004" JOINT		01
09	0503011443	SPRING WASHER 3/8"		06
10	0503010751	C3/8" X 1.1/4" HEX BOLT G.5		06
11	0502040260	OUTER FLANGE		01
12	0502040261	INNER FLANGE		01
13	0511013169	PROTECTION COVER BEARING		01
14	0503010019	1/2" SPRING WASHER		04
15	0511017302	FLAT WASHER 13,50 X 32,50 X 3,0 ZN		04
16	0503010834	1/2 X 1 BOLT		04
17	0503010856	OIL PLUG R 3/8 BSPT		02

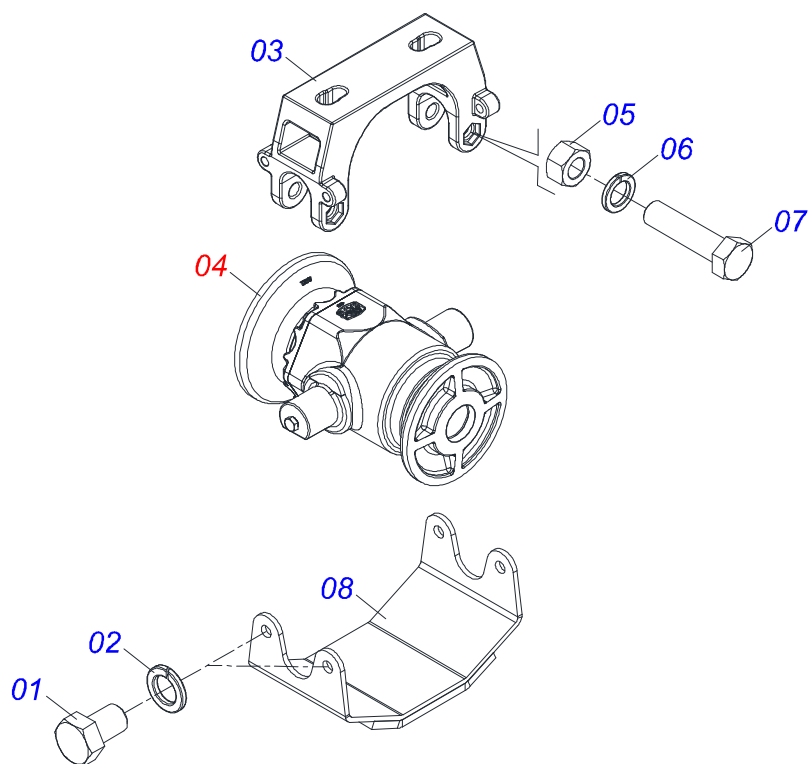


Item	Code	Description	See page	QT
01	0502010738	HOUSING CM		01
02	0503010094	02060-GB SEAL		02
03	0503010117	32216 ROLLER BEARING		02
04	0521010488	SPACER		02
05	0502040034	BEARING AXLE		01
06	0502010661	HOUSING CAP CM		01
07	0503030686	7.1" X 5.5" X 0.004" JOINT		02
08	0503030536	7.1" X 5.5" X 0.01" JOINT		03
09	0503011443	SPRING WASHER 3/8"		06
10	0503010751	C3/8" X 1.1/4" HEX BOLT G.5		06
11	0502040260	OUTER FLANGE		01
12	0502040261	INNER FLANGE		01
13	0511013169	PROTECTION COVER BEARING		01
14	0511017302	FLAT WASHER 13,50 X 32,50 X 3,0 ZN		04
15	0503010019	1/2" SPRING WASHER		04
16	0503010834	1/2 X 1 BOLT		04
17	0503010002	1800 GREASE FITTING		02

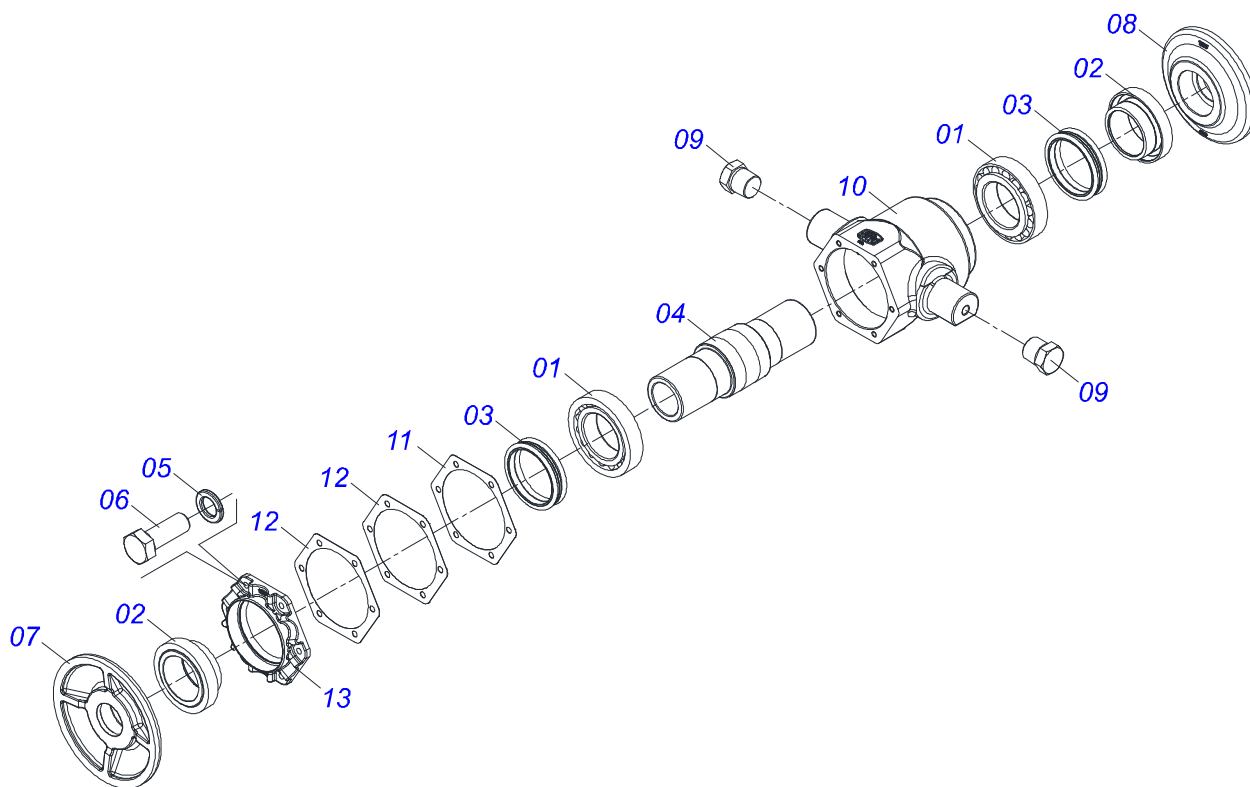


Item	Code	Description	See page	QT
01	0502010743	HOUSING DM		01
02	0503010117	32216 ROLLER BEARING		02
03	0502040123	SEAL RETAINER		02
04	0503030028	JB-257 SEAL		02
05	0502040034	BEARING AXLE		01
06	0502010645	HOUSING CAP DM		01
07	0503030536	7.1" X 5.5" X 0.01" JOINT		03
08	0503030686	7.1" X 5.5" X 0.004" JOINT		02
09	0503011443	SPRING WASHER 3/8"		06
10	0503010751	C3/8" X 1.1/4" HEX BOLT G.5		06
11	0502040260	OUTER FLANGE		01
12	0502040261	INNER FLANGE		01
13	0511013169	PROTECTION COVER BEARING		01
14	0503010019	1/2" SPRING WASHER		04
15	0511017302	FLAT WASHER 13,50 X 32,50 X 3,0 ZN		04
16	0503011401	1/2" X 3/4" BOLT		04
17	0503010856	OIL PLUG R 3/8 BSPT		02





Item	Code	Description	See page	QT
01	0503010834	1/2 X 1 BOLT		04
02	0503010019	1/2" SPRING WASHER		04
03	0502013011	360 OSCILLATING BEARING SUPPORT (CENTRAL)		01
04	0531053200	DMO 330 X 2.1/8 IMP BEARING	19	01
05	0503010013	5/8" UNC G.5 ZN HEX NUT		02
06	0503010027	5/8 SPRING WASHER		02
07	0503010480	5/8" X 4.3/4" BOLT		02
08	0501210530	SWING BEARING COVER		01



Item	Code	Description	See page	QT
01	0503010117	32216 ROLLER BEARING		02
02	0502040123	SEAL RETAINER		02
03	0503030028	JB-257 SEAL		02
04	0502040034	BEARING AXLE		01
05	0503011443	SPRING WASHER 3/8"		06
06	0503010751	C3/8" X 1.1/4" HEX BOLT G.5		06
07	0502040260	OUTER FLANGE		01
08	0502040261	INNER FLANGE		01
09	0503010856	OIL PLUG R 3/8 BSPT		02
10	0502013012	OSCILLATING AGRICULTURAL BEARING BOX 2.1/8		01
11	0503034044	JOINT		01
12	0503034045	JOINT		02
13	0502012772	BEARING COVER		01
14	3402301275	TATU OIL		0,6 Lt



# ANNOTATION

A series of horizontal lines for writing, starting from the top of the page and extending down to the bottom of the main content area.





**MARCHESAN**

**Technical Publications | Elaboration and Revision**

ALESSANDRA PATRICIA KAWAHARA CARRILI

[www.marchesan.com.br](http://www.marchesan.com.br)

