

ROTARY CUTTERS

RO2 1500

Code: 0501092381
Series: S-0214
Revision: 00
Date Revision: AGOSTO/2021

PARTS CATALOGUE



MARCHESAN



PRODUCTS

Code	Description
0104010043C	RO2 1500 C/R C/PROT CORR EXP S-0214
0104010043	RO2 1500 C/R C/PROT CORRENTE S-0214
0104010045C	RO2 1500 S/R C/PROT C/ROC REVERS CM EXP S-0214
0104010045	RO2 1500 S/R C/PROT C/ROC REVERS CM S-0214

ATTENTION: IMPORTANT

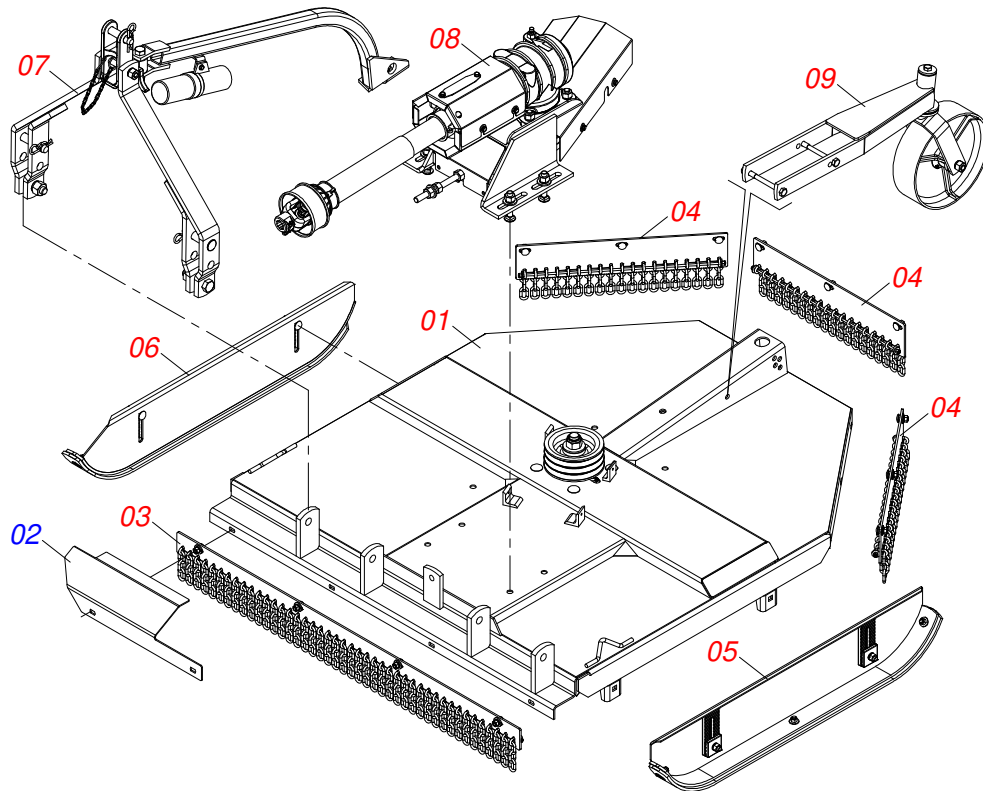
Marchesan S.A. reserves the right to improve and / or modify the technical features of its products, without obligation to do the same with those products already sold and without prior knowledge of the dealer or the consumer.



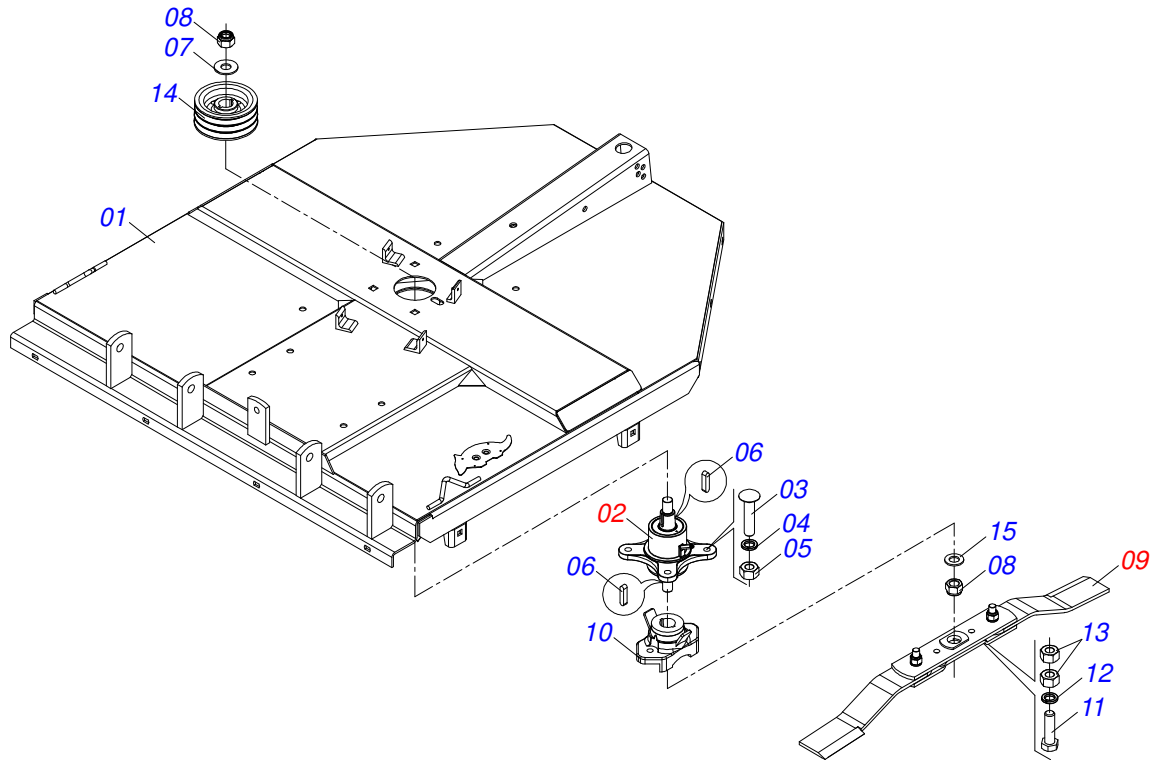
MARCHESAN

INDEX

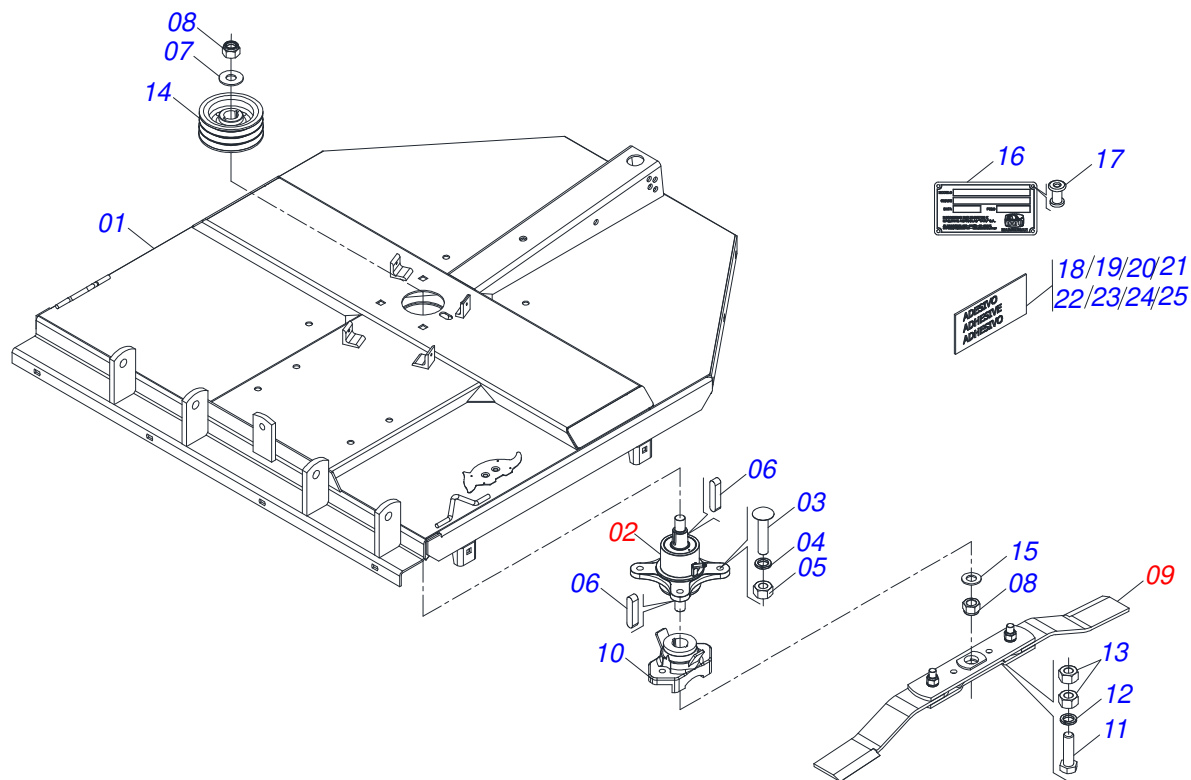
0909094984	FRAME ASSY	1
0511056702	SEMI-FINISHED FRAME	2
0521051110	SEMI-FINISHED FRAME WITH REVERSIBLE SKIM	3
0511043567	ROTARY CUTTERS HUB ASSY	4
0501056321	SUPPORT ROTARY CUTTER BLADES	5
0521051105	SUPPORT ROTARY CUTTER BLADES	6
0521050678	CHAIN PROTECTION (FRONT)	7
0521050677	REAR CURRENT PROTECTION	8
0909094979	LEFT SKID ASSY	9
0501054950	SUPPORT 1270 WITH GUIDE	10
0909094980	RIGHT SKID ASSY	11
0501054951	SUPPORT 1270 WITH REGULATION WITH GUIDE	12
0909094985	HEAD ASSY	13
0521051864	DOOR ASSY INSTRUCTION MANUAL	14
0909094982	MULTIPLIER ASSY	15
0511058384	MULTIPLIER WITH SUPPORT	16
0501046851	MULTIPLIER	17
0501047946	DRIVE SHAFT	18
0511047301	CARRYING WHEELS ASSY	19



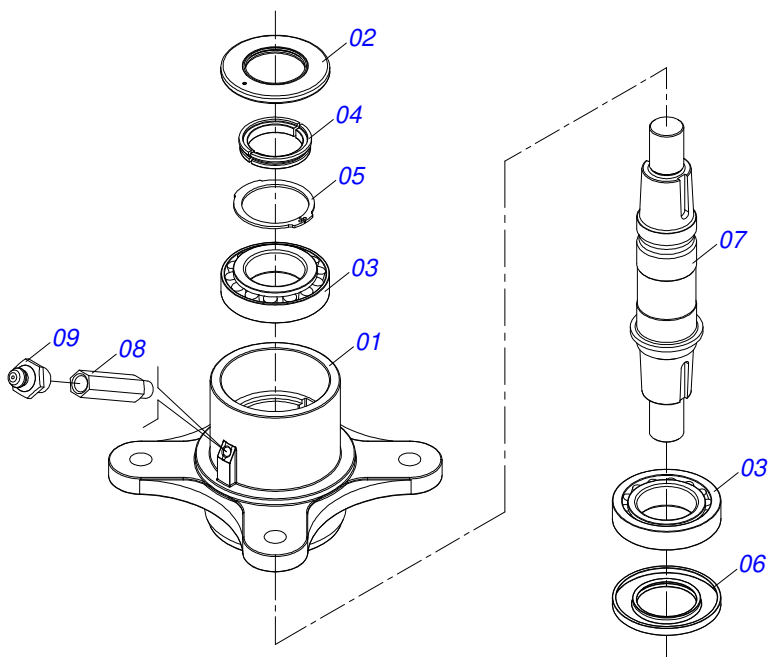
Item	Code	Description	See page	QT
01	0511056702	SEMIFINISHED FRAME	2	01
01.	0521051110	SEMIFINISHED FRAME WITH REVERSIBLE SKIM	3	01
02	0581011895	FRONT PROTETION FRAME		01
03	0521050678	CHAIN PROTECTION (FRONT)	7	01
04	0521050677	REAR CURRENT PROTECTION	8	03
05	0909094979	LEFT SKID ASSY	9	01
06	0909094980	RIGHT SKID ASSY	11	01
07	0909094985	HEAD ASSY	13	01
08	0909094982	MULTIPLIER ASSY	15	01
09	0511047301	CARRYING WHEELS ASSY	19	01



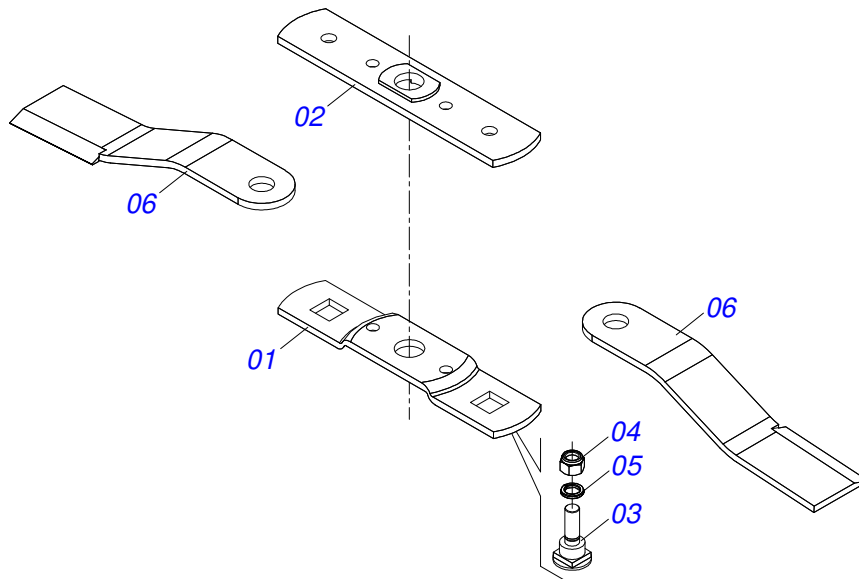
Item	Code	Description	See page	QT
01	0521065595	FRAME		01
02	0511043567	ROTARY CUTTERS HUB ASSY	4	01
03	0503013122	3/4 UNC X 4.1/4 CAPQ G.5 ZNBOLT		04
04	0503011442	3/4" SPRING WASHER		04
05	0503010014	3/4" NUT		04
06	0501010536	KEYWAY SQUARE		02
07	0561015762	FLAT WASHER		01
08	0503010817	1.1/4" SELF LOCKING NUT		02
09	0501056321	SUPPORT ROTARY CUTTER BLADES	5	01
10	0502012453	SUPPORT FLANGE		01
11	0503011328	3/4" X 4" BOLT		02
12	0503011442	3/4" SPRING WASHER		02
13	0503010014	3/4" NUT		04
14	0502011377	REEL 190 X 50 PULLEY		01
15	0501017779	32 X 60 X 4.75 FLAT WASHER		01



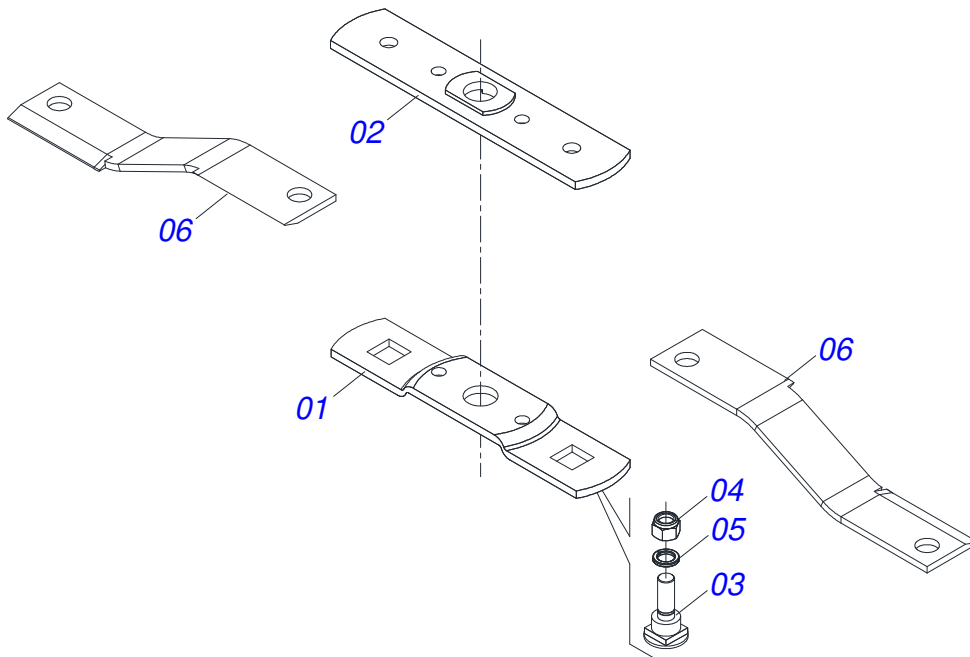
Item	Code	Description	See page	QT
01	0521065595	FRAME		01
02	0511043567	ROTARY CUTTERS HUB ASSY	4	01
03	0503013122	3/4 UNC X 4.1/4 CAPQ G.5 ZNBOLT		04
04	0503011442	3/4" SPRING WASHER		04
05	0503010014	3/4" NUT		04
06	0501010536	KEYWAY SQUARE		02
07	0561015762	FLAT WASHER		01
08	0503010817	1.1/4" SELF LOCKING NUT		02
09	0521051105	SUPPORT ROTARY CUTTER BLADES	6	01
10	0502012453	SUPPORT FLANGE		01
11	0503011328	3/4" X 4" BOLT		02
12	0503011442	3/4" SPRING WASHER		02
13	0503010014	3/4" NUT		04
14	0502011377	REEL 190 X 50 PULLEY		01
15	0501017779	32 X 60 X 4.75 FLAT WASHER		01
16	0503034003	SERIAL NUMBER TAG 61 X 118		01
17	0503010001	3.2 X 5.5 RIVET		04
18	0503031427	ADHESIVE LABEL		01
19	0503031428	READ MANUAL DECAL		01
20	0503031929	ADHESIVE LABEL		01
21	0503031930	ADHESIVE LABEL		01
22	0503031931	ADHESIVE LABEL		01
23	0503032949	ADHESIVE LABEL		01
24	0503034078	LIFTING POINTS DECAL		03
25	0503034333	ADHESIVE LABEL		01



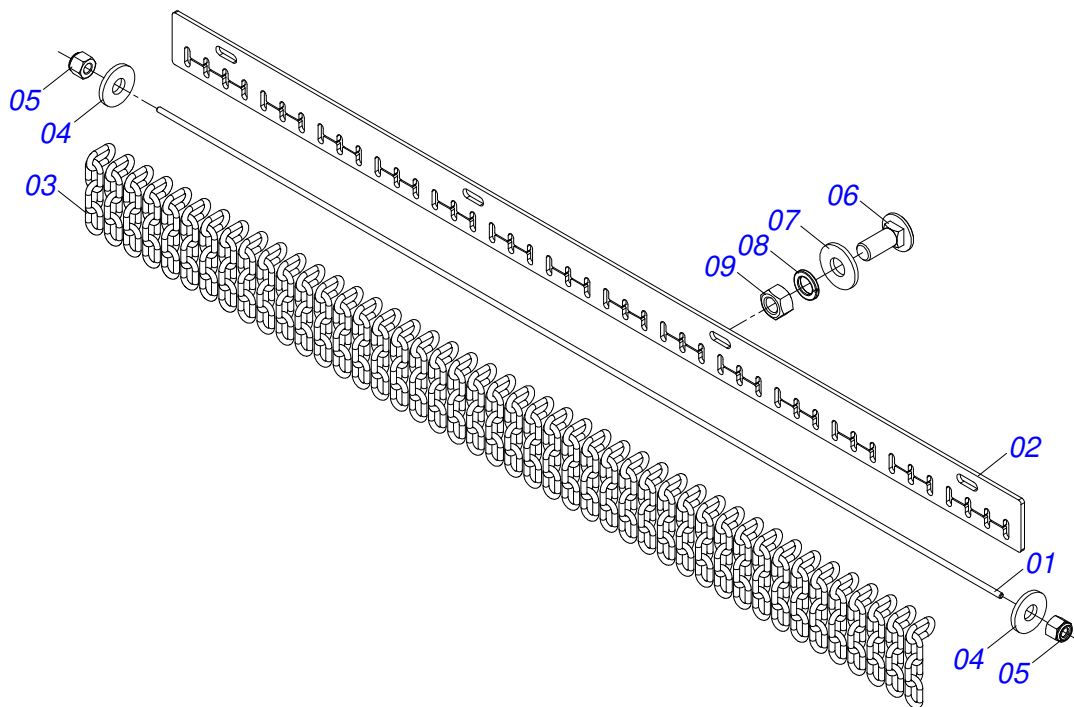
Item	Code	Description	See page	QT
01	0502012294	DROP HUB		01
02	0503013201	ARCA 6016 BRG SEAL		01
03	0503012418	32211 ROLLER BEARING		02
04	0541014445	LOCK RING		01
05	0503012311	501065 RENO RING		01
06	0503013211	6016 BRG SEAL		01
07	0541014095	ROTARY CUTTERS SMALLER AXLE		01
08	0501019757	EXTENSION GREASE FITTING		01
09	0503010002	1800 GREASE FITTING		01



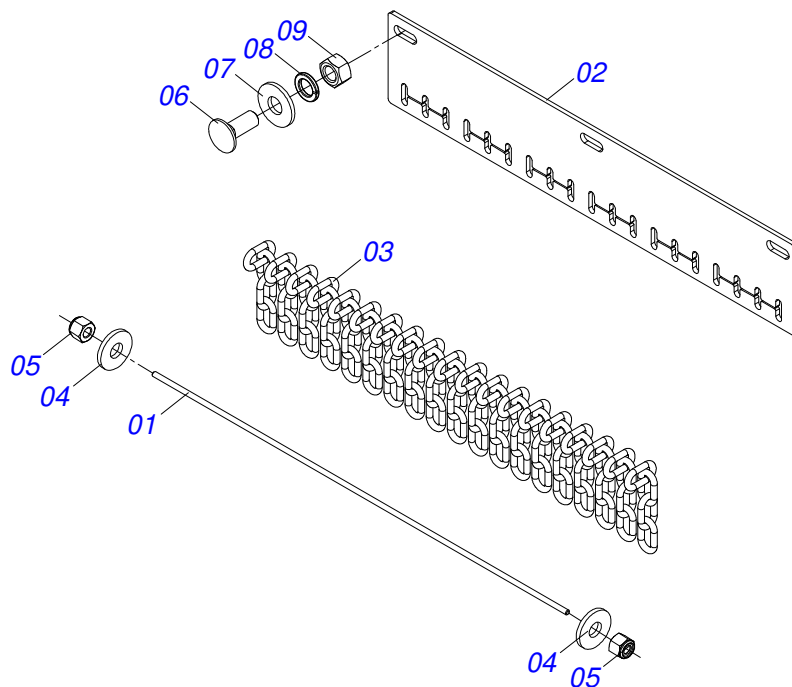
Item	Code	Description	See page	QT
01	0561017368	ROTARY LOWER SUPPORT		01
02	0561017308	SUPPORT UPPER BASE		01
03	0511019000	BOLT		02
04	0503010812	7/8" UNF SELF LOCKING NUT		02
05	0503011447	SPRING WASHER		02
06	0622400054	24.5" X 3.94" X 0.5" ROTARY CUTTER		02



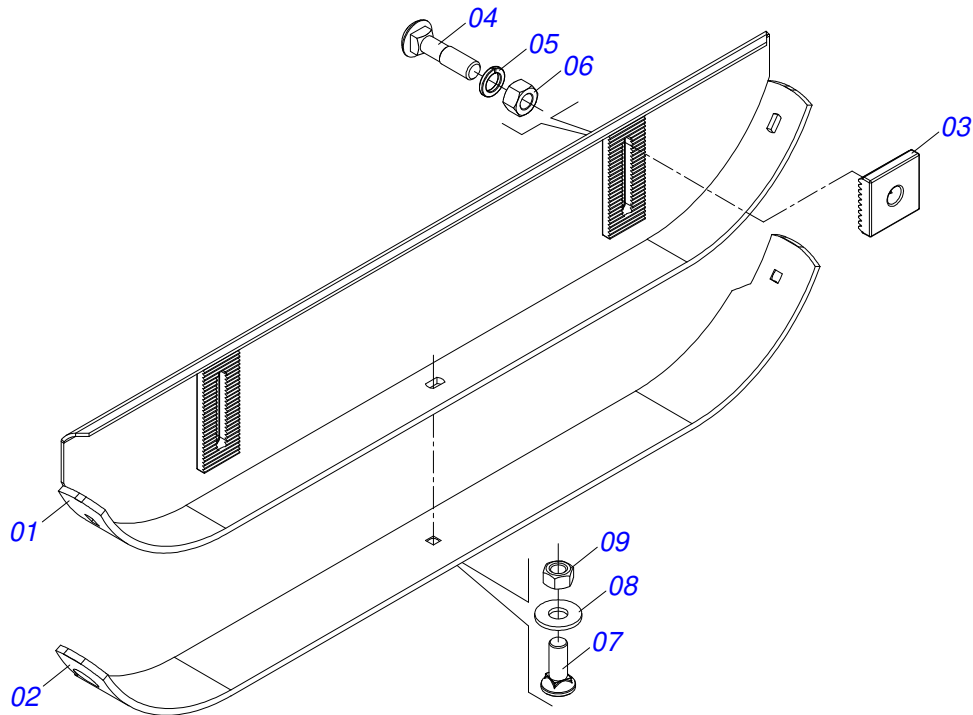
Item	Code	Description	See page	QT
01	0561017368	ROTARY LOWER SUPPORT		01
02	0561017308	SUPPORT UPPER BASE		01
03	0511019000	BOLT		02
04	0503010812	7/8" UNF SELF LOCKING NUT		02
05	0503011447	SPRING WASHER		02
06	0622340094			02



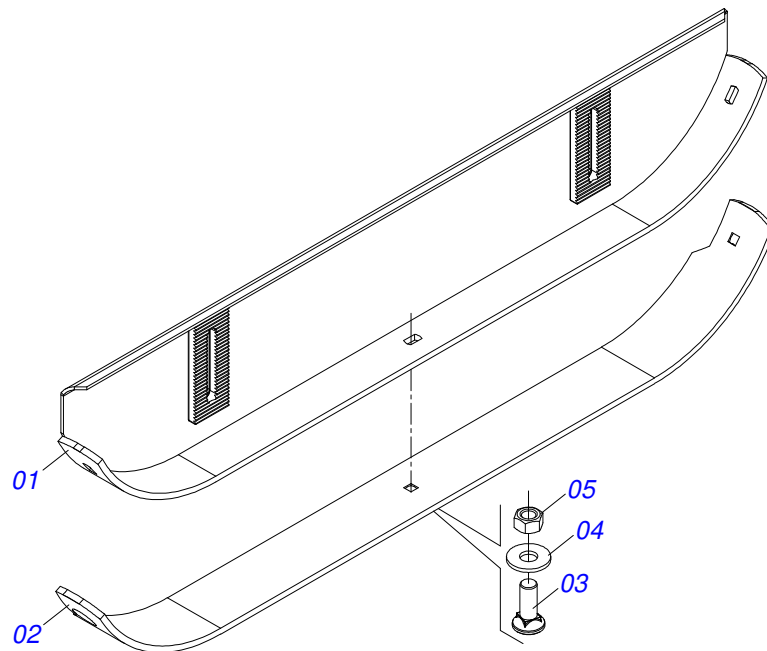
Item	Code	Description	See page	QT
01	0581013925	ROD CHAIN PROTECTION		01
02	0581013924	FRONT CURRENT PROTECTION (1340)		01
03	0511011774	8,00 CHAIN 4 LINK		44
04	0501010984	FLAT WASHER		02
05	0503013759	NUT		02
06	0501011600	1/2" X 1-1/4" BOLT		04
07	0511017302	FLAT WASHER		04
08	0503010019	1/2" SPRING WASHER		04
09	0503012682	1/2" BSW NUT		04



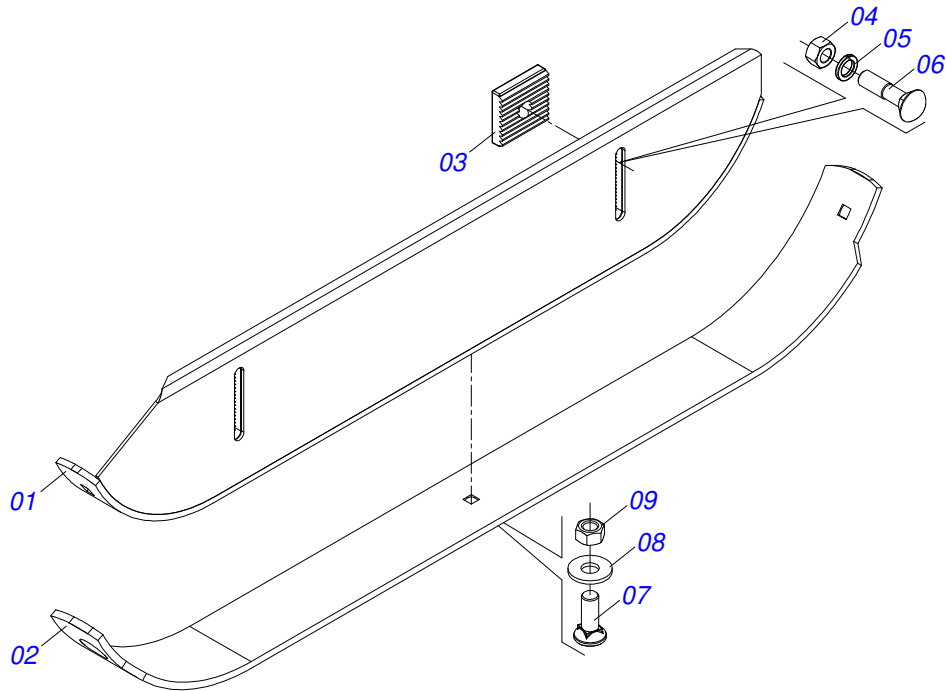
Item	Code	Description	See page	QT
01	0581012997	CURRENT PROTECTION BAR 690		01
02	0581013923	REAR CURRENT PROTECTION (1340)		01
03	0511011774	8,00 CHAIN 4 LINK		19
04	0501010984	FLAT WASHER		02
05	0503013759	NUT		02
06	0501011600	1/2" X 1-1/4" BOLT		03
07	0511017302	FLAT WASHER		03
08	0503010019	1/2" SPRING WASHER		03
09	0503012682	1/2" BSW NUT		03



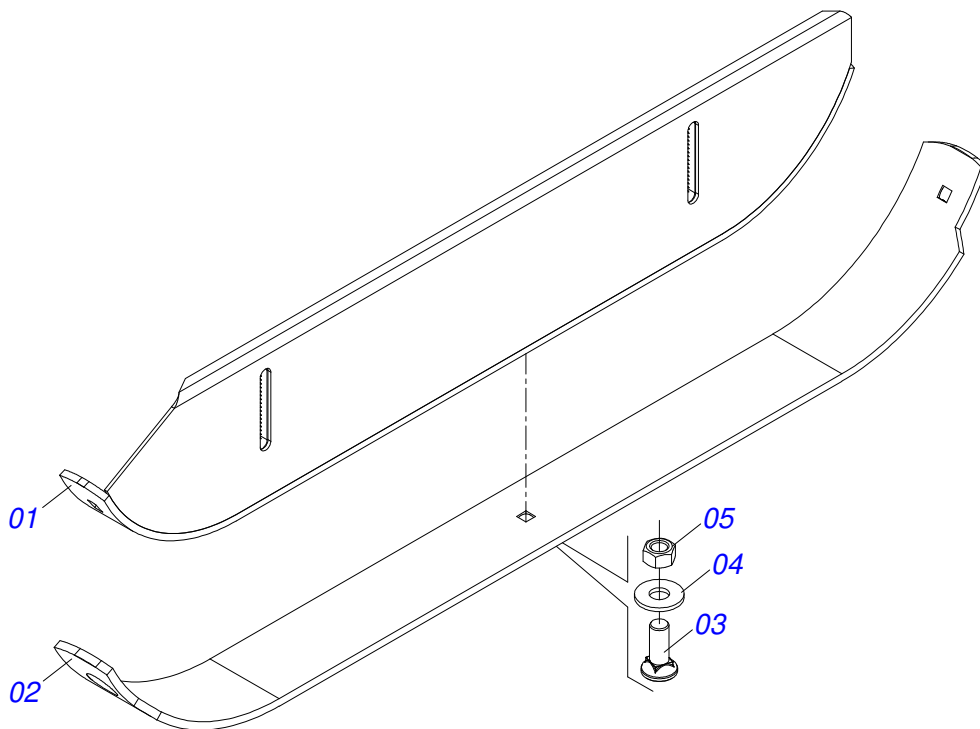
Item	Code	Description	See page	QT
01	0511064762	50"SKATE		01
02	0531019433	SKID GUIDE		01
03	0502010083	SQUARE WASHER		02
04	0501014177	5/8" X 2-1/2" BOLT		02
05	0503010027	5/8" SPRING WASHER		02
06	0503010013	5/8" NUT		02
07	0503012956	1/2" X 1-1/2" BOLT		03
08	0511017302	FLAT WASHER		03
09	0503012682	1/2" BSW NUT		03



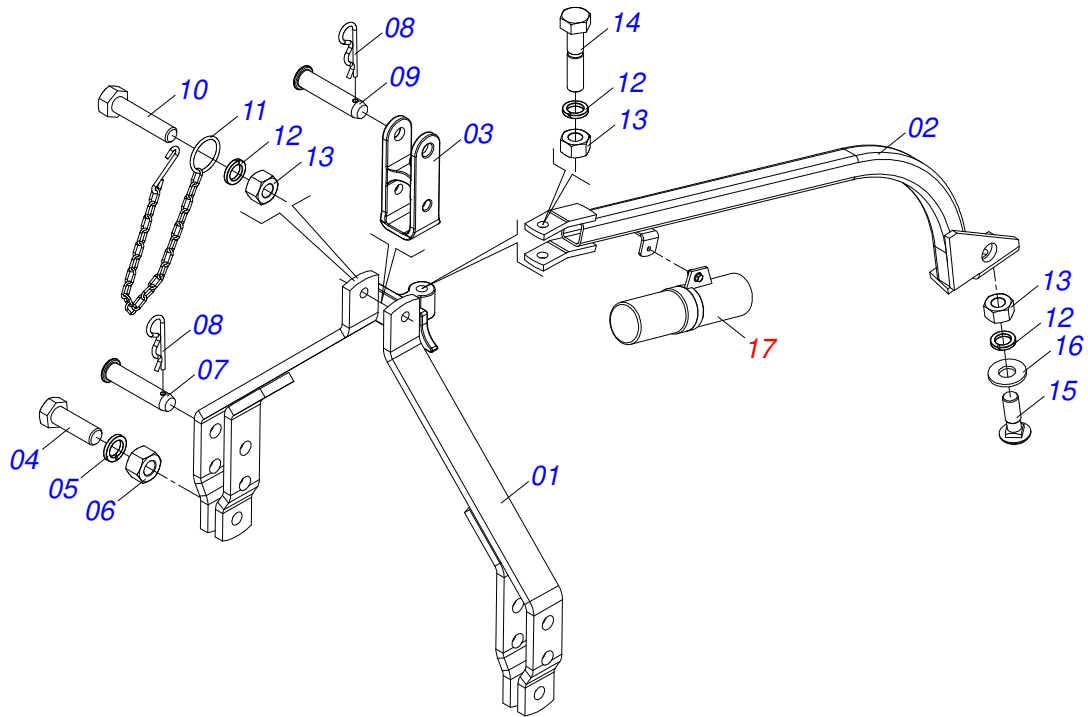
Item	Code	Description	See page	QT
01	0511064762	50"SKATE		01
02	0531019433	SKID GUIDE		01
03	0503012956	1/2" X 1-1/2" BOLT		03
04	0511017302	FLAT WASHER		03
05	0503012682	1/2" BSW NUT		03



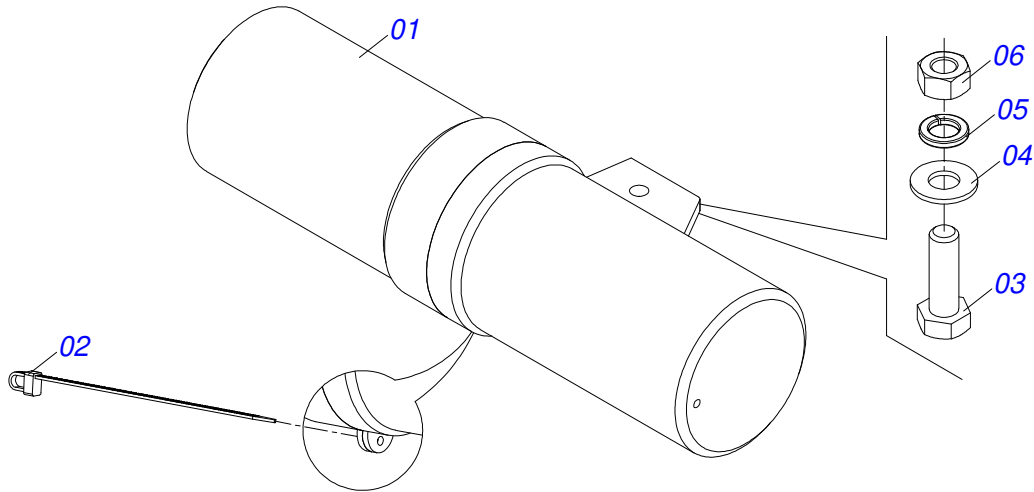
Item	Code	Description	See page	QT
01	0511064764	50"RIGHT SKID		01
02	0531019433	SKID GUIDE		01
03	1902010083	SQUARE WASHER		02
04	0503010013	5/8" NUT		02
05	0503010027	5/8" SPRING WASHER		02
06	0501014177	5/8" X 2-1/2" BOLT		02
07	0503012956	1/2" X 1-1/2" BOLT		03
08	0511017302	FLAT WASHER		03
09	0503012682	1/2" BSW NUT		03



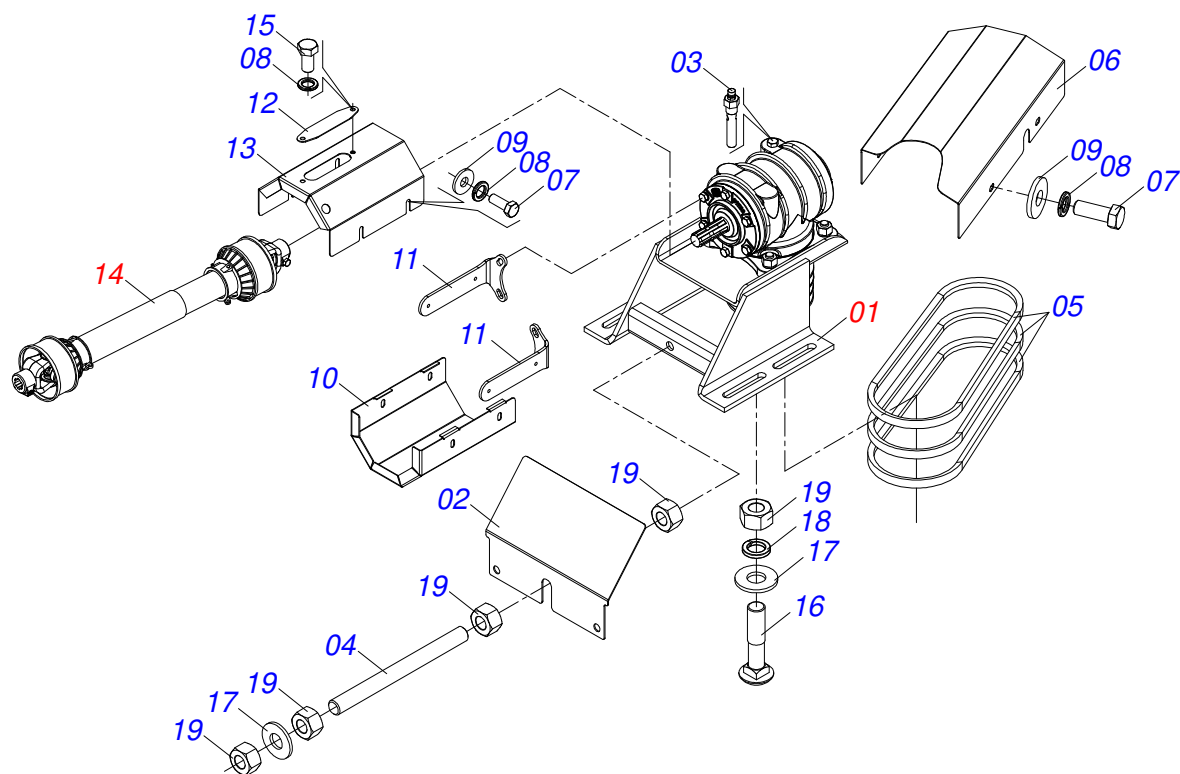
Item	Code	Description	See page	QT
01	0511064764	50"RIGHT SKID		01
02	0531019433	SKID GUIDE		01
03	0503012956	1/2" X 1-1/2" BOLT		03
04	0511017302	FLAT WASHER		03
05	0503012682	1/2" BSW NUT		03



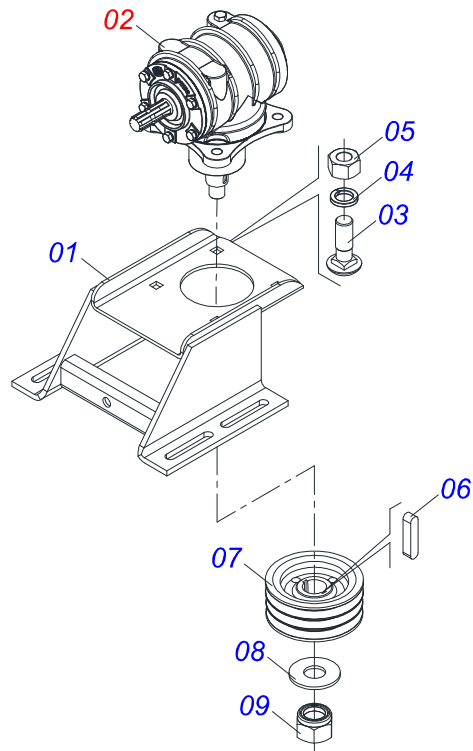
Item	Code	Description	See page	QT
01	0501067832	DRAWBAR		01
02	0501067540	FRENCH HAND		01
03	1902040922	ROTARY COTTERS HEAD SUPPLEMENT		01
04	0503011432	BOLT		02
05	0503010012	1" SPRING WASHER		02
06	0501010059	1.5/8 NUT		02
07	0521010596	COUPLING SHAFT		02
08	0503031035	HAIR PIN		03
09	0521010578	COUPLING SHAFT		01
10	0503011198	C3/4" X 6" SCREW		01
11	0503011981	17.7" CHAIN WITH HOOK/LINK		02
12	0503010023	3/4" SPRING WASHER		03
13	0503010014	3/4" NUT		03
14	0501010216	3/4" X 4-1/2" BOLT		01
15	0501017305	3/4" X 2-1/4" BOLT		01
16	0501010322	FLAT WASHER		01
17	0521051864	DOOR ASSY INSTRUCTION MANUAL	14	01



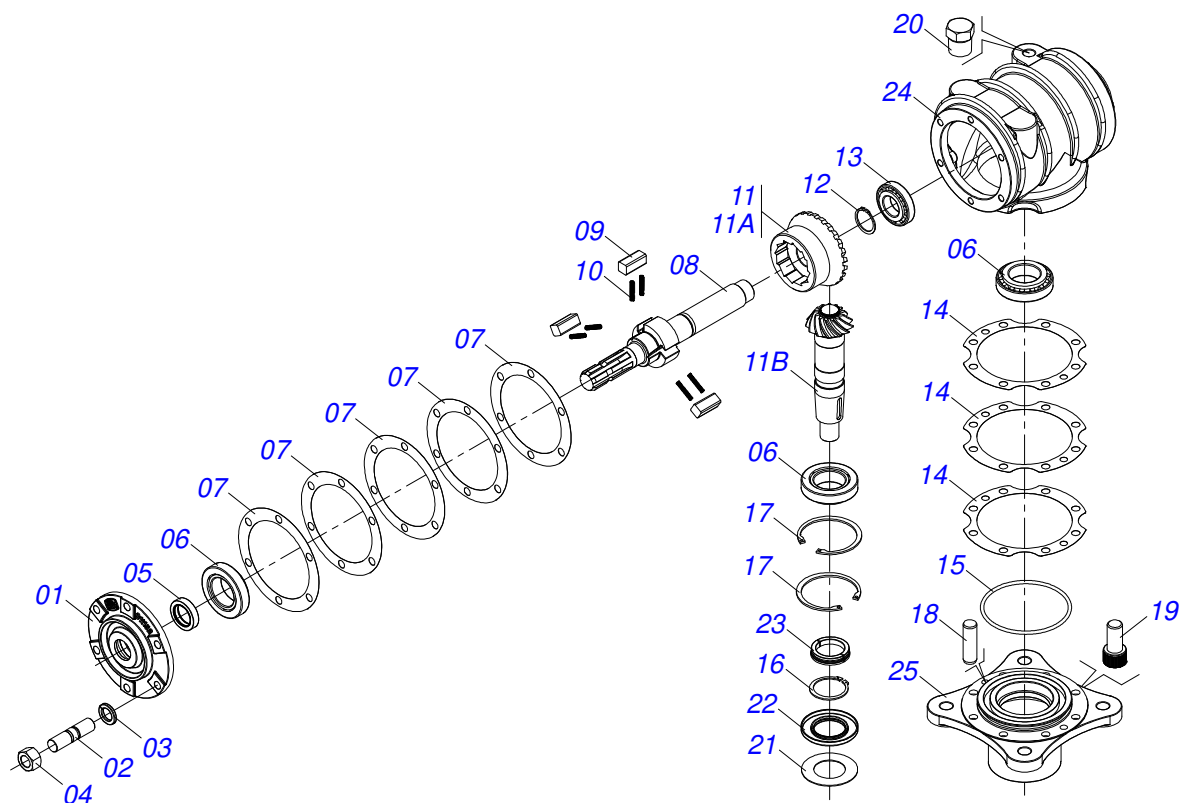
Item	Code	Description	See page	QT
01	0503060100	OPERATOR'S MANUAL STORAGE TUBE		01
02	0503010267	NYLON CLAMP		01
03	0503010363	5/16" X 1" BOLT		01
04	0501010694	8.5 X 18 X 1.5 FLAT WASHER		01
05	0503010179	5/16" ZN SPRING WASHER		01
06	0503010337	5/16" NUT		01



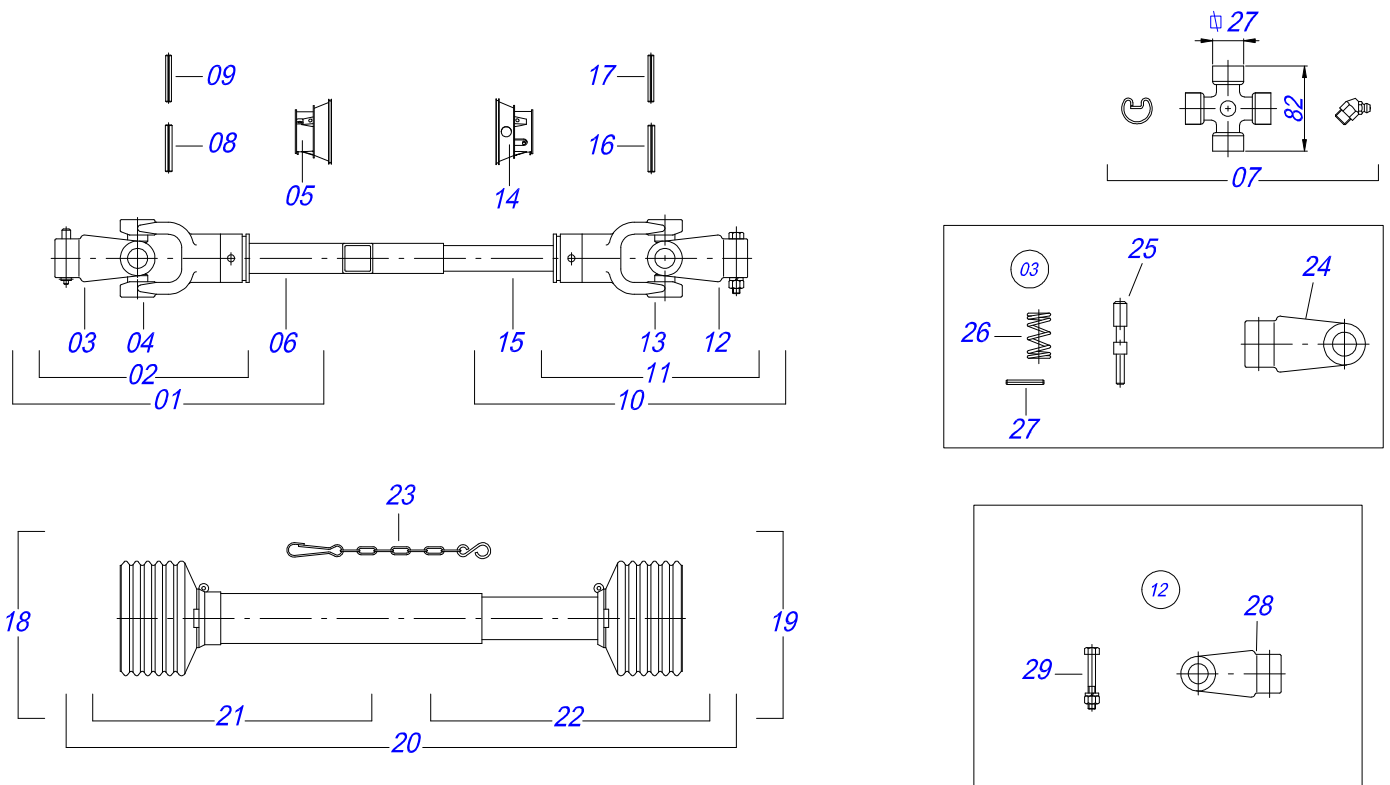
Item	Code	Description	See page	QT
01	0511058384	MULTIPLIER WITH SUPPORT	16	01
02	0531012083	PROTECTION CHAIN FIXER MULTIPLIER		01
03	0501110186	OIL SMALLER LEVEL INDICATOR		01
04	0501013451	282 TENSIONER BODY		01
05	0503010153	C-51 BELT		03
06	0521066331	PROTECTION COVER OF THE BELT		01
07	0503010237	3/8" X 1" BOLT		08
08	0503010025	3/8" SPRING WASHER		10
09	0501010984	FLAT WASHER		08
10	0581011777	BODY LOWER PROTECTION COAT		01
11	0581011779	FIXER BODE CAP		02
12	0581012546	LUBRICATION AXIS TRANSMISSION		01
13	0521067419	CARDAN SUPERIOR PROTECTION COVER		01
14	0501047946	DRIVE SHAFT	18	01
15	0503010256	3/8" X 3/4" BOLT		02
16	0501010162	3/4" X 4" BOLT		04
17	0501010322	FLAT WASHER		05
18	0503010023	3/4" SPRING WASHER		04
19	0503010014	3/4" NUT		08



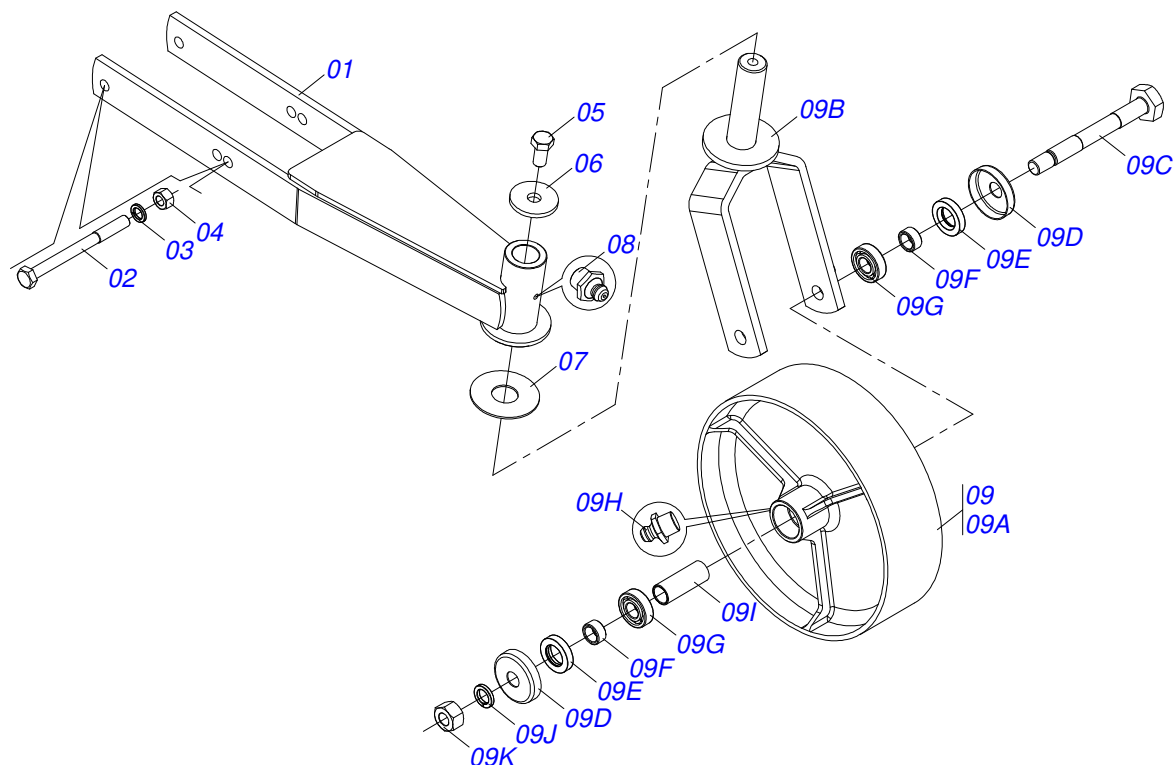
Item	Code	Description	See page	QT
01	0501067539	MULTIPLIER SUPPORT		01
02	0501046851	MULTIPLIER	17	01
03	0501017305	3/4" X 2-1/4" BOLT		04
04	0503011442	3/4" SPRING WASHER		04
05	0503010014	3/4" NUT		04
06	0501010536	KEYWAY SQUARE		02
07	0502011377	REEL 190 X 50 PULLEY		01
08	0561015762	FLAT WASHER		01
09	0503010817	1.1/4" SELF LOCKING NUT		01



Item	Code	Description	See page	QT
01	0502011152	SMALLER COVER		01
02	0503030084	1/2" X 1/2" X 2.0" STUD		06
03	0503011440	SPRING WASHER		06
04	0503010028	1/2" NUT		06
05	0503011171	00912-BRG SEAL		01
06	0503010006	32210 ROLLER BEARING		03
07	0503030783	7.1" X 5.3" X 0.008" JOINT		05
08	0503050063	UPPER AXLE		01
09	0501010649	RATCHET CLICK		03
10	0503030051	0.2" X 1" X 0.1" COMPRESSION SPRING		06
11	0503060210	CROWN PINION SET		01
11A	0503050074	25Z CONICAL GEAR		01
11B	0503061048	PINION		01
12	0503010217	501040 CLAMPING RING (FOR AXLE)		01
13	0503010037	30207 ROLLER BEARING		01
14	0503030785	7.9" X 5.9" X 0.008" JOINT		03
15	0503010286	2-355 N 3006-9B O'RING		01
16	0503010396	501060 CLAMPING RING (FOR AXLE)		01
17	0503011190	SEAL RING		02
18	0503017877	PIN GUIDE		02
19	0503010562	1/2" X 1" BOLT		08
20	0503031604	1/2" BSP PLUG		01
21	0521018064	FLAT WASHER		01
22	0503011047	5089 SEAL		01
23	0511010142	LOCK RING		01
24	0502010984	LEFT MULTIPLIER BOX		01
25	0502011393	LOWER HUB		01



Item	Code	Description	See page	QT
01	0501050270	UNIVERSAL JOINT WITH SLEEVE		01
02	0501050265	UNIVERSAL JOINT		01
03	0501050333	1-40 TERMINAL WITH HITCH		01
04	0502010565	2-40 TERMINAL W/ SH 1.5"/1.5"		01
05	0503012069	ADAPTER FOR BUSHING PROTECT		01
06	0501017427	20" X 1.5" SQUARE SLEEVE		01
07	0503010836	CARDAN CROSSPIECE		02
08	0503011069	0.4" X 2.8" SPRING PIN		01
09	0503010510	0.2" X 2.6" SPRING PIN		01
10	0501050867	UNIVERSAL JOINT WITH SHAFT		01
11	0501050449	UNIVERSAL JOINT		01
12	0501052526	T8-40 TERMINAL WITH SCREW		01
13	0502010566	3-40 TERMINAL WITH SH 1.2"/1.2"		01
14	0503012070	ADAPTER FOR AXLE PROTECTION		01
15	0501017423	1.2" X 19.6" SQUARE SHAFT		01
16	0503010361	SPRING PIN		01
17	0503010756	0.2" X 2.4" SPRING PIN		01
18	0501051694	UNIVERSAL JOINT WITH SLEEVE/PROTECTION		01
19	0501051695	UNIVERSAL JOINT WITH AXLE/PROTECTION		01
20	0503012066	PROTECTION ASSY		01
21	0503012067	PROTECTION FOR UNIV JOINT AND SLEEVE		01
22	0503012068	PLASTIC PROTECTION FOR SHAFT JOINT		01
23	0503012023	CHAIN FOR PROTECTION		02
24	0502010563	1-40 STRIATED 1.3/8" TERMINAL		01
25	0521010638	0.5" X 3.3" QUIC HITCH COUPL SHAFT		01
26	0503030518	0.5"X1.0"X 0.1" COMPRESSION SPRING		01
27	0503010838	0.1" X 0.8" SPRING PIN		01
28	0502010876	8-40 STRIATED 1.3/8 TERMINAL		01
29	0501047756	1/2" X 3" SET PARTS		01



Item	Code	Description	See page	QT
01	0521065281	WHEEL SUPPORT		01
02	0503010795	5/8" X 7" BOLT		02
03	0503010027	5/8" SPRING WASHER		02
04	0503010013	5/8" NUT		02
05	0503010962	5/8" X 1-1/4" BOLT		01
06	0511010721	FLAT WASHER		01
07	0511013239	FLAT WASHER		01
08	0503010002	1800 GREASE FITTING		01
09	0501058460	CARRYING WHEELS		01
09A	0502012519	350 X 100 WHEEL		01
09B	0501065266	WHELL FORK		01
09C	0501017143	WHEEL AXLE		01
09D	0511014254	DUST CLOAK		02
09E	0503010268	00262-B SEAL		02
09F	0521010487	SPACER WASHER		02
09G	0503010269	6204 BALL BEARING		02
09H	0503010002	1800 GREASE FITTING		01
09I	0521010460	0.9" X 1.1" X 2.9" SLEEVE		01
09J	0503011442	3/4" SPRING WASHER		01
09K	0503010014	3/4" NUT		01



MARCHESAN

Technical Publications | Elaboration and Revision

ALESSANDRA PATRICIA KAWAHARA CARRILI

www.marchesan.com.br

