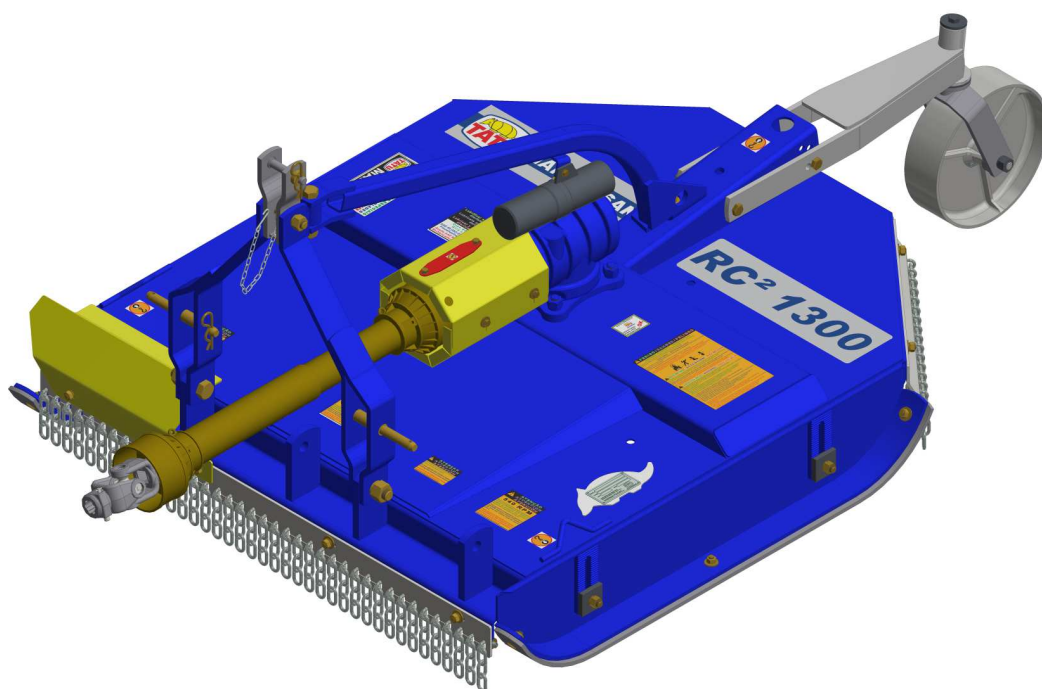


PARTS CATALOG

ROTARY CUTTERS

RC2 1300

Code: 0501092380



Series: S-0214

Rev.: 04

Date Rev.: AGOSTO/2019

ORIGINAL PARTS
TATU



PRODUCTS

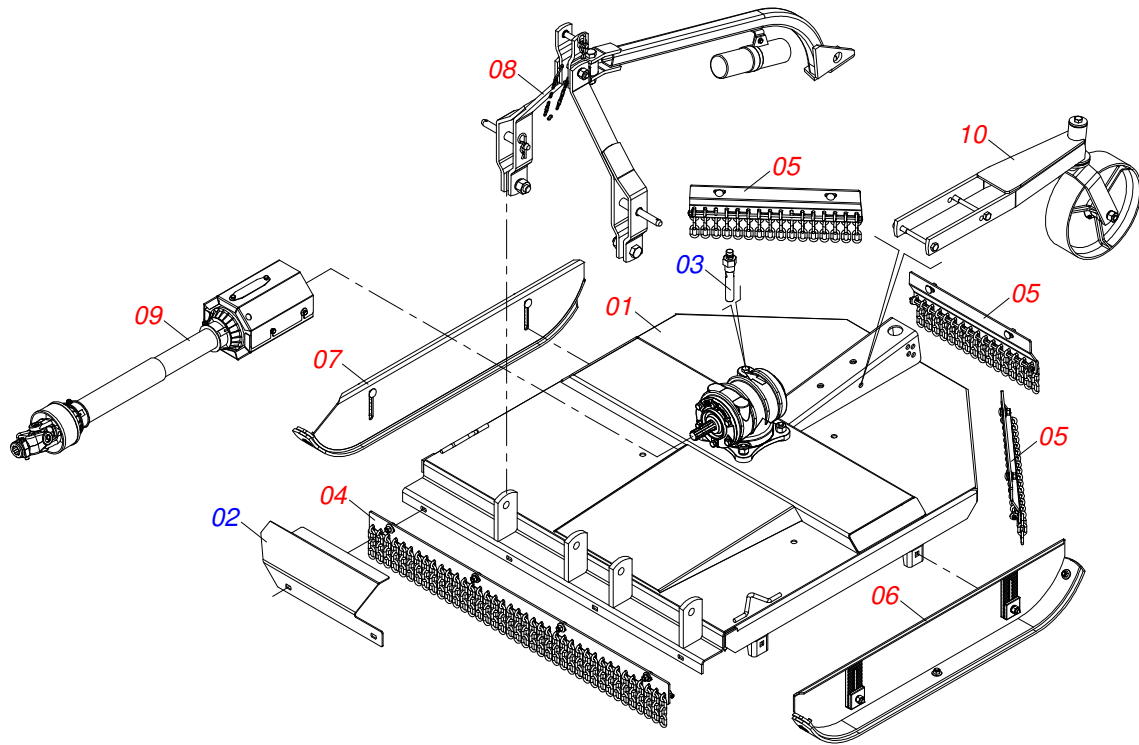
Code	Description
0104020006	RC2 1300 C/R C/PROT CORR S-0214

ATTENTION: **IMPORTANT**

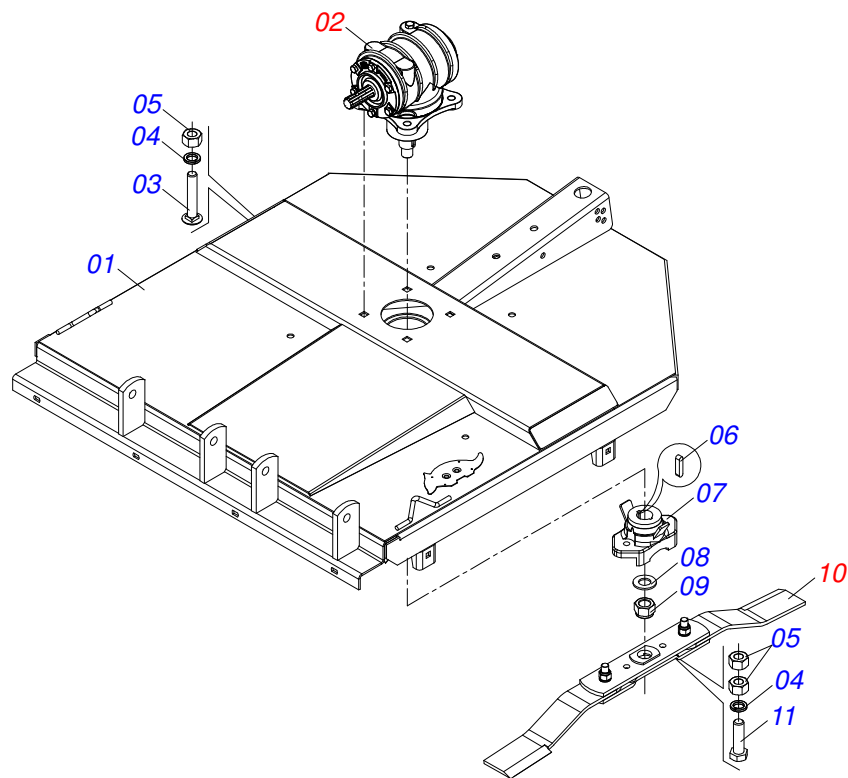
MARCHESAN S/A RESERVES THE RIGHT AT ANY TIME TO MAKE IMPROVEMENTS IN THE DESIGN, MATERIAL OR SPECIFICATIONS OF MACHINERY, EQUIPMENT OR PARTS WITHOUT THEREBY BECOMING LIABLE TO MAKE SIMILAR CHANGES IN MACHINERY, EQUIPMENT OR PARTS PREVIOUSLY SOLD.

INDEX

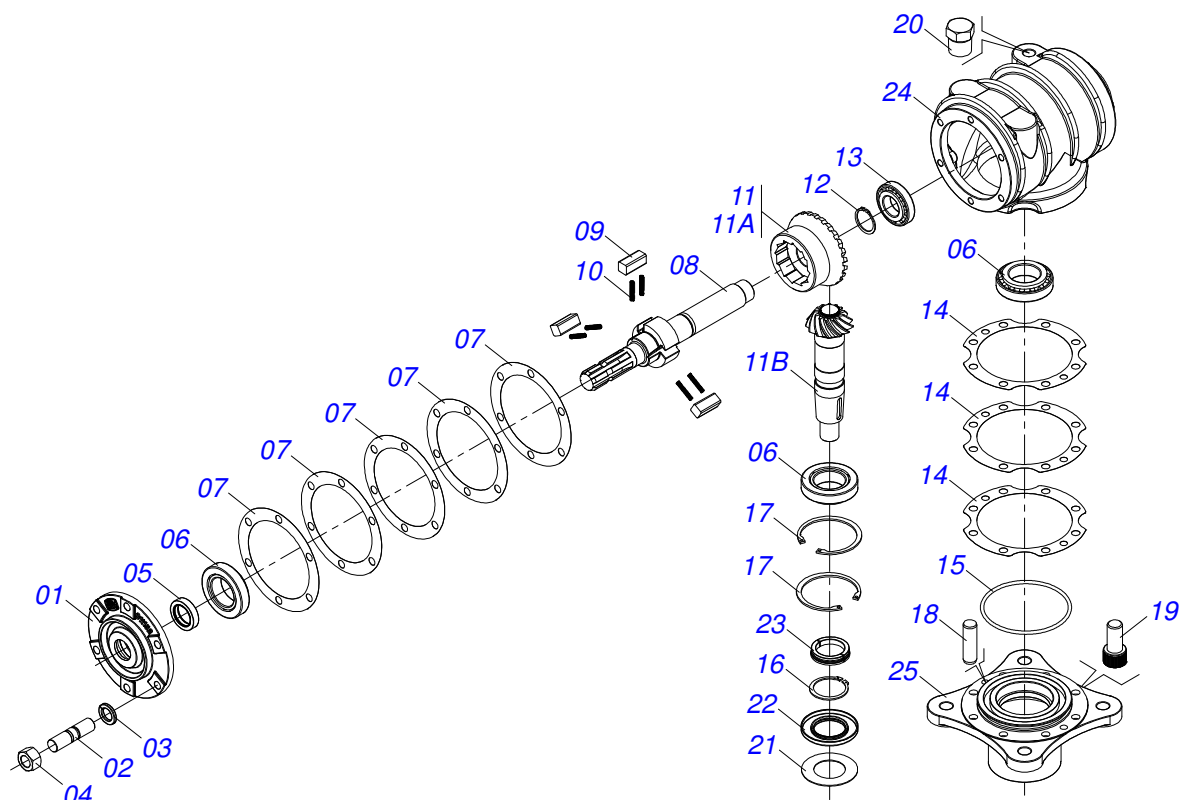
0909094990	FRAME ASSY	1
0511054756	SEMI MOUNTED FRAME	2
0501046851	MULTIPLIER	3
0501056322	SUPPORT ROTARY CUTTER BLADES	4
0521050676	FRONT CURRENT PROTECTION (1405)	5
0521050675	REAR CURRENT PROTECTION (575)	6
0909094979	LEFT SKID ASSY	7
0909094980	RIGHT SKID ASSY	8
0909095000	HEAD ASSY	9
0521051872	DOOR ASSY INSTRUCTION MANUAL RC2 1300/1500/1700	10
0909094991	MULTIPLIER ASSY	11
0501047949	DRIVE SHAFT	12
0511047301	CARRYING WHEELS ASSY	13



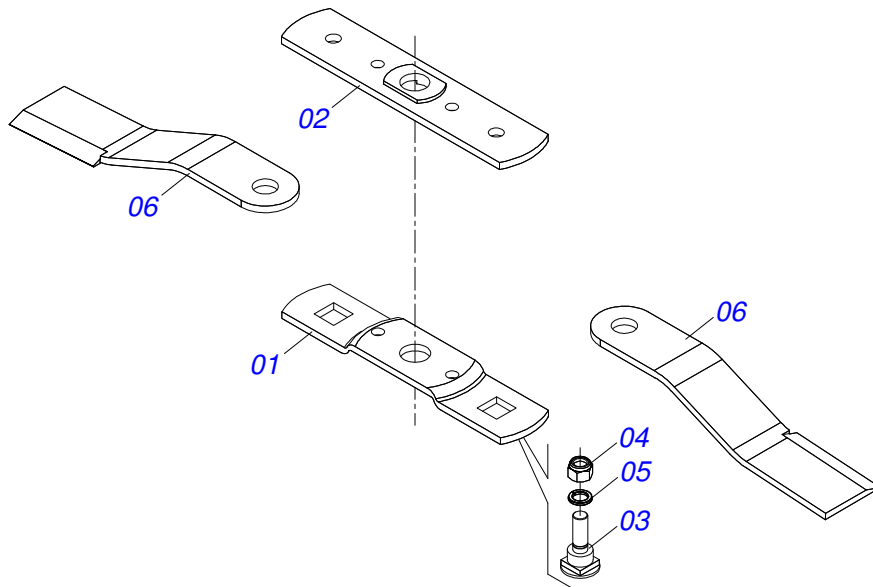
Item	Code	Description	See page	QT
01	0511054756	SEMI MOUNTED FRAME	2	01
02	0571016119	FRONT PROTECTION		01
03	0501110186	OIL SMALLER LEVEL INDICATOR		01
04	0521050676	FRONT CURRENT PROTECTION (1405)	5	01
05	0521050675	REAR CURRENT PROTECTION (575)	6	03
06	0909094979	LEFT SKID ASSY	7	01
07	0909094980	RIGHT SKID ASSY	8	01
08	0909095000	HEAD ASSY	9	01
09	0909094991	MULTIPLIER ASSY	11	01
10	0511047301	CARRYING WHEELS ASSY	13	01



Item	Code	Description	See page	QT
01	0521064694	FRAME		01
02	0501046851	MULTIPLIER	3	01
03	0503013122	3/4" X 4-1/4" BOLT		04
04	0503011442	3/4" SPRING WASHER		06
05	0503010014	3/4" NUT		08
06	0501010536	KEYWAY SQUARE		02
07	0502012453	SUPPORT FLANGE		01
08	0501017779	FLAT WASHER		01
09	0503010817	1-1/4" SELF-ADJUSTING NUT		01
10	0501056322	SUPPORT ROTARY CUTTER BLADES	4	01
11	0503011328	3/4" X 4" BOLT		02

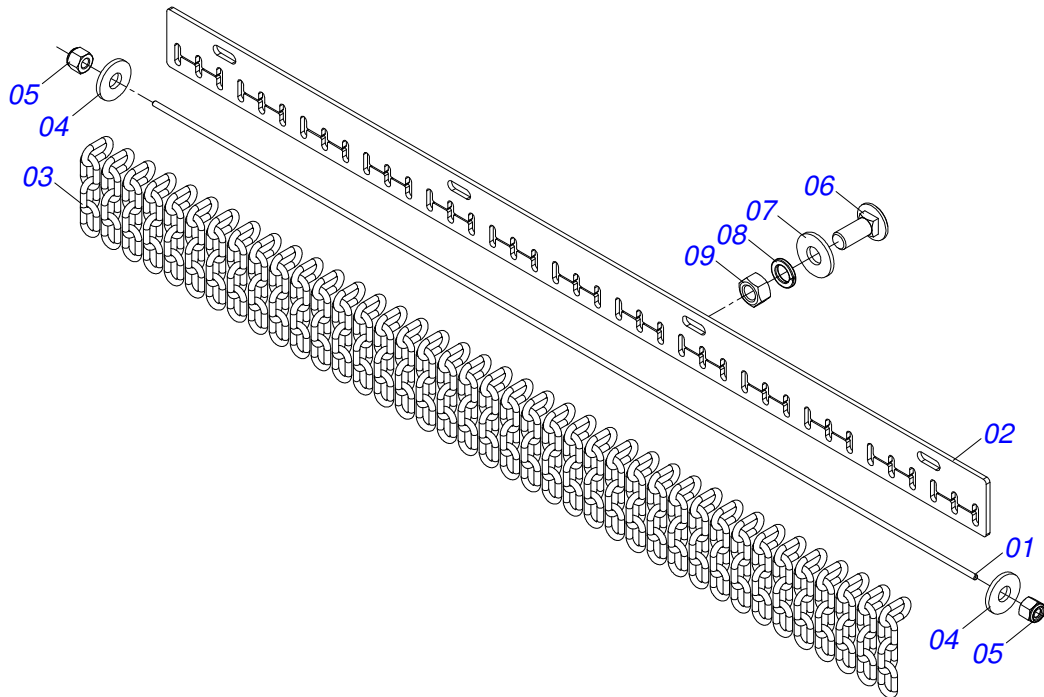


Item	Code	Description	See page	QT
01	0502011152	SMALLER COVER		01
02	0503030084	1/2" X 1/2" X 2.0" STUD		06
03	0503011440	SPRING WASHER		06
04	0503010028	1/2" NUT		06
05	0503011171	00912-BRG SEAL		01
06	0503010006	32210 ROLLER BEARING		03
07	0503030783	7.1" X 5.3" X 0.008" JOINT		05
08	0503050063	UPPER AXLE		01
09	0501010649	RATCHET CLICK		03
10	0503030051	0.2" X 1" X 0.1" COMPRESSION SPRING		06
11	0503060210	CROWN PINION SET		01
11A	0503050074	25Z CONICAL GEAR		01
11B	0503061048	PINION		01
12	0503010217	501040 CLAMPING RING (FOR AXLE)		01
13	0503010037	30207 ROLLER BEARING		01
14	0503030785	7.9" X 5.9" X 0.008" JOINT		03
15	0503010286	2-355 N 3006-9B O'RING		01
16	0503010396	501060 CLAMPING RING (FOR AXLE)		01
17	0503011190	SEAL RING		02
18	0503017877	PIN GUIDE		02
19	0503010562	1/2" X 1" BOLT		08
20	0503031604	1/2" BSP PLUG		01
21	0521018064	FLAT WASHER		01
22	0503011047	5089 SEAL		01
23	0511010142	LOCK RING		01
24	0502010984	LEFT MULTIPLIER BOX		01
25	0502011393	LOWER HUB		01

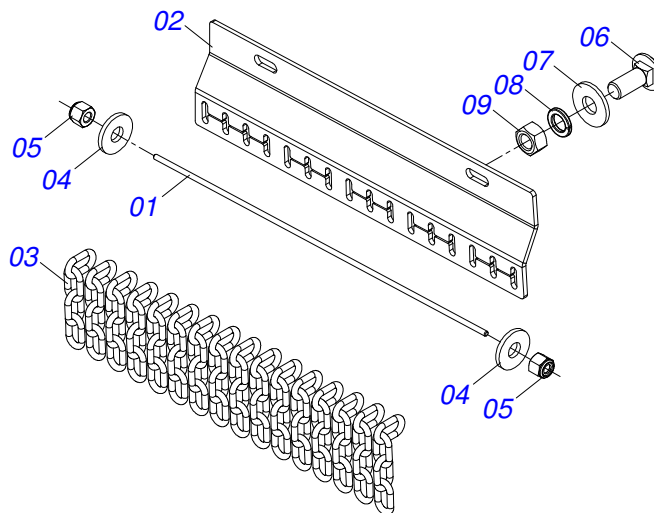


Item	Code	Description	See page	QT
01	0561017368	ROTARY LOWER SUPPORT		01
02	0561017308	SUPPORT UPPER BASE		01
03	0511019000	BOLT		02
04	0503010812	7/8" SELF-ADJUSTING NUT		02
05	0503011447	SPRING WASHER		02
06	0622400053	20.5" X 3.94" X 0.5" ROTARY CUTTER		02

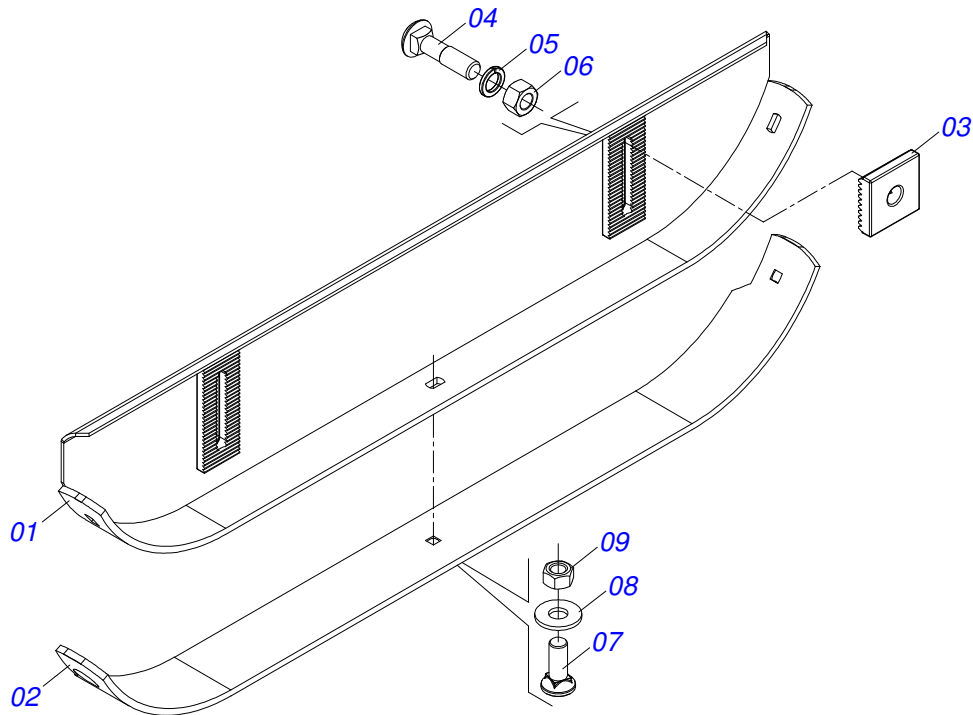
FRONT CURRENT PROTECTION (1405)



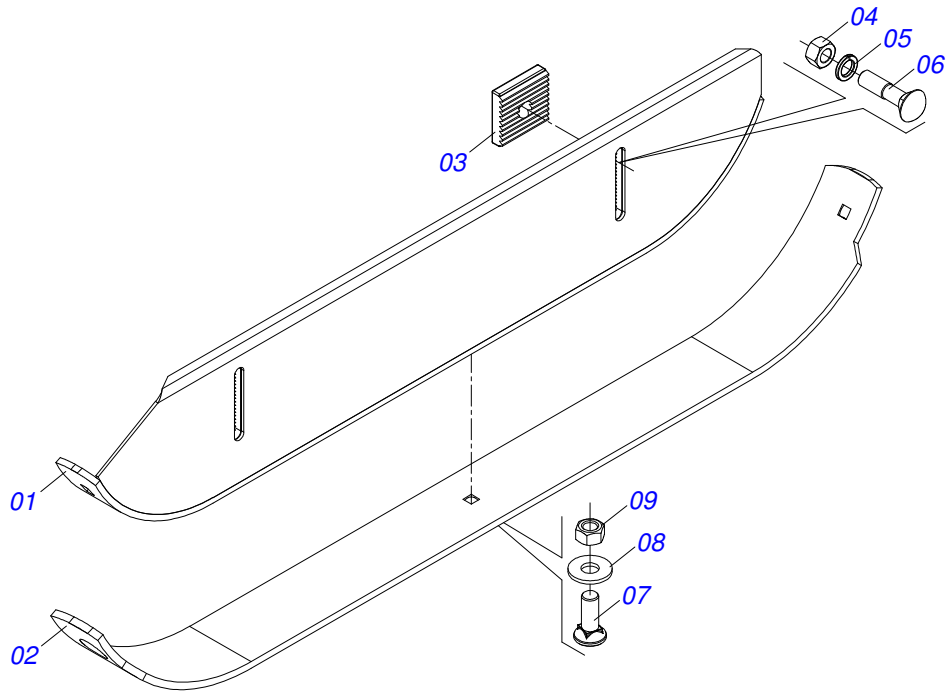
Item	Code	Description	See page	QT
01	0581013922	CURRENT PROTECTION ROD (1405)		01
02	0581013921	BODY CURRENT PROTECTION (1405)		01
03	0511011774	8,00 CHAIN 4 LINK		39
04	0501010984	FLAT WASHER		02
05	0503013759	NUT		02
06	0501011600	1/2" X 1-1/4" BOLT		04
07	0511017302	FLAT WASHER		04
08	0503010019	1/2" SPRING WASHER		04
09	0503012682	1/2" BSW NUT		04



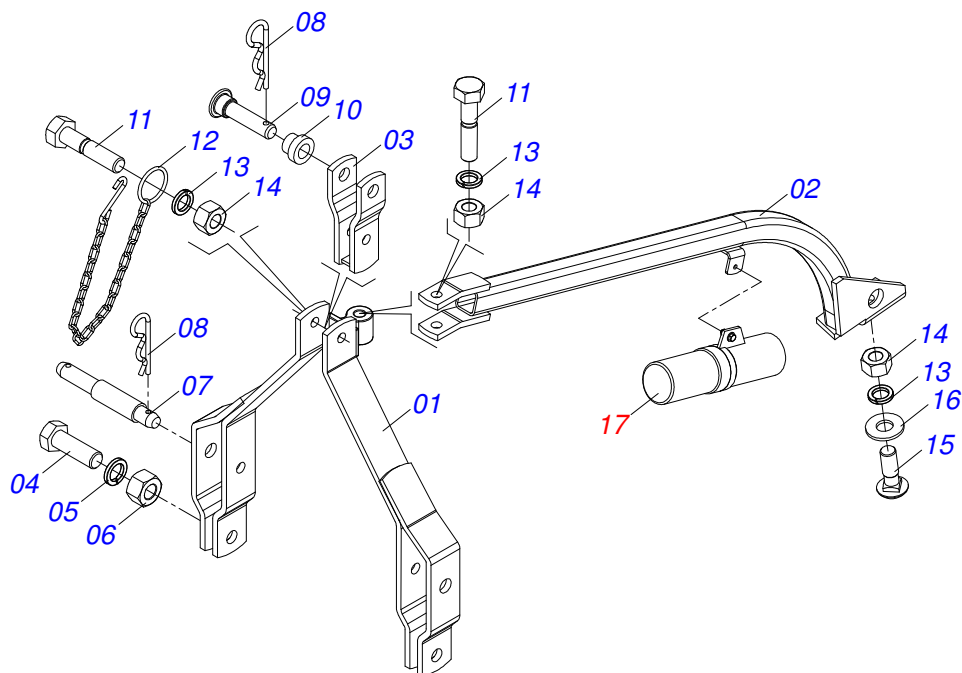
Item	Code	Description	See page	QT
01	0581013920	CURRENT PROTECTION BAR		01
02	0581013919	BODY PROTECTION CURRENT REAR (575)		01
03	0511011774	8,00 CHAIN 4 LINK		16
04	0501010984	FLAT WASHER		02
05	0503013759	NUT		02
06	0501011600	1/2" X 1-1/4" BOLT		02
07	0511017302	FLAT WASHER		02
08	0503010019	1/2" SPRING WASHER		02
09	0503012682	1/2" BSW NUT		02



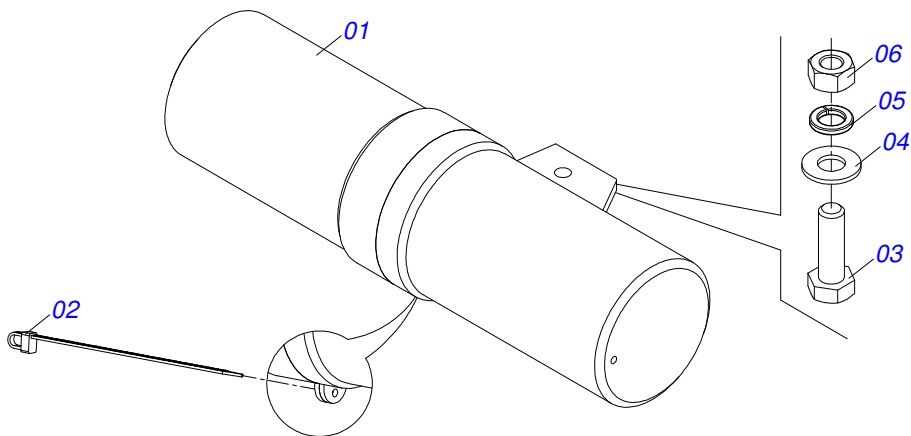
Item	Code	Description	See page	QT
01	0511064762	50"SKATE		01
02	0531019433	SKID GUIDE		01
03	1902010083	SQUARE WASHER		02
04	0501014177	5/8" X 2-1/2" BOLT		02
05	0503010027	SPRING WASHER		02
06	0503010013	5/8" NUT		02
07	0503012956	1/2" X 1-1/2" BOLT		03
08	0511017302	FLAT WASHER		03
09	0503012682	1/2" BSW NUT		03



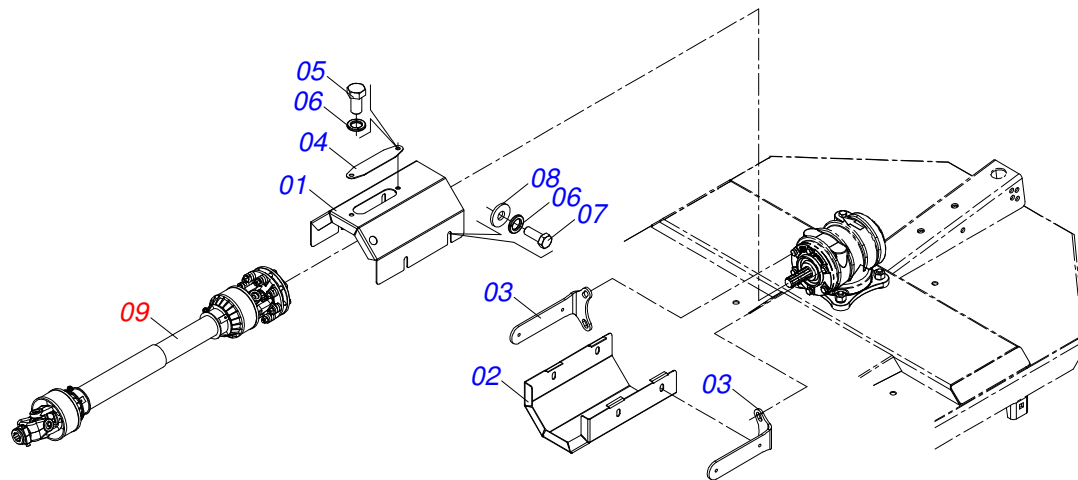
Item	Code	Description	See page	QT
01	0511064764	50"RIGHT SKID		01
02	0531019433	SKID GUIDE		01
03	1902010083	SQUARE WASHER		02
04	0503010013	5/8" NUT		02
05	0503010027	SPRING WASHER		02
06	0501014177	5/8" X 2-1/2" BOLT		02
07	0503012956	1/2" X 1-1/2" BOLT		03
08	0511017302	FLAT WASHER		03
09	0503012682	1/2" BSW NUT		03



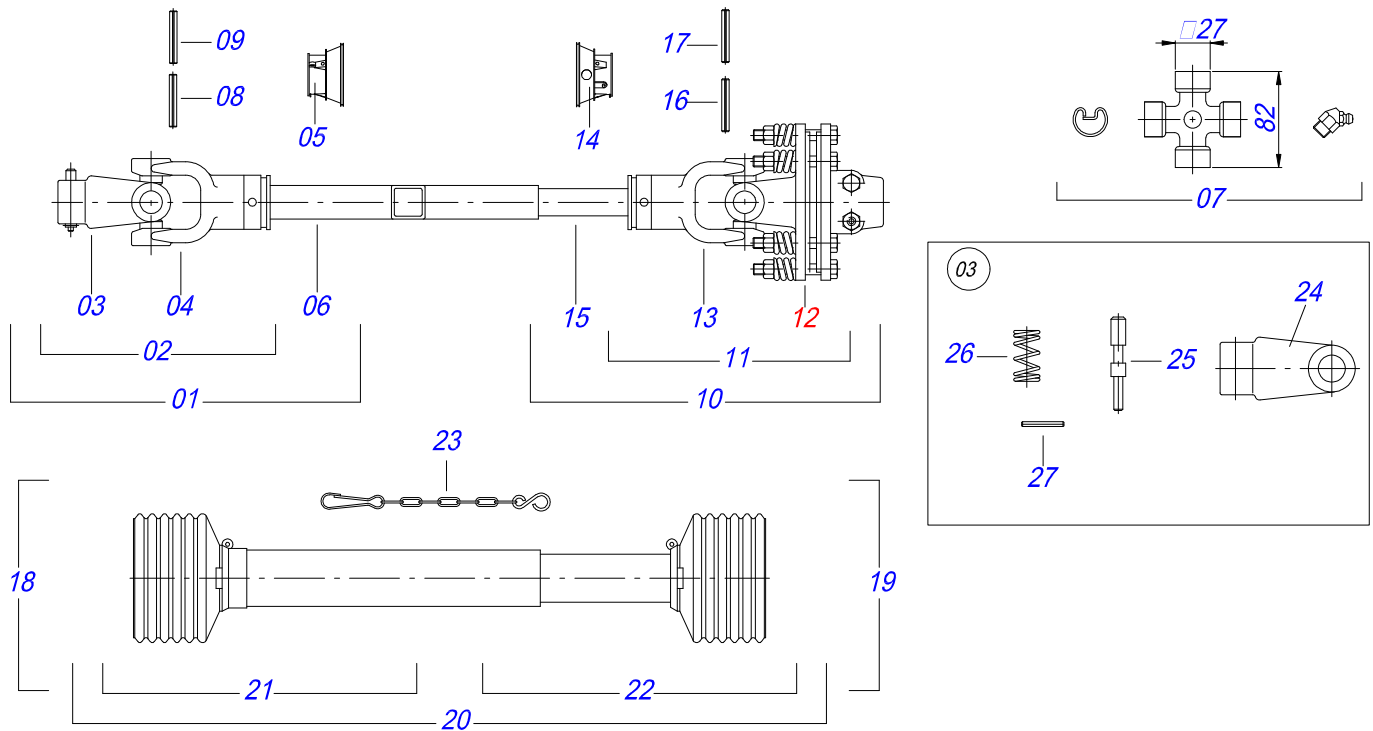
Item	Code	Description	See page	QT
01	0501065395	DRAWBAR		01
02	0521065585	FRENCH HAND		01
03	0501060330	PIVOT DOUBLE BAR		01
04	0501010171	PARAFUSO 1 UNC X 3.1/2 C S G.5		02
05	0503010012	1" SPRING WASHER		02
06	0501010059	1.5/8 NUT		02
07	0521013311	RC2 1300 AXLE		02
08	0503031035	HAIR PIN		03
09	0521013938	HITCH AXLE		01
10	0521010443	1" SLEEVE		01
11	0501010216	3/4" X 4-1/2" BOLT		02
12	0503011981	17.7" CHAIN WITH HOOK/LINK		01
13	0503010023	SPRING WASHER		03
14	0503010014	3/4" NUT		03
15	0501017305	3/4" X 2-1/4" BOLT		01
16	0501010322	FLAT WASHER		01
17	0521051872	DOOR ASSY INSTRUCTION MANUAL RC2 10 1300/1500/1700		01



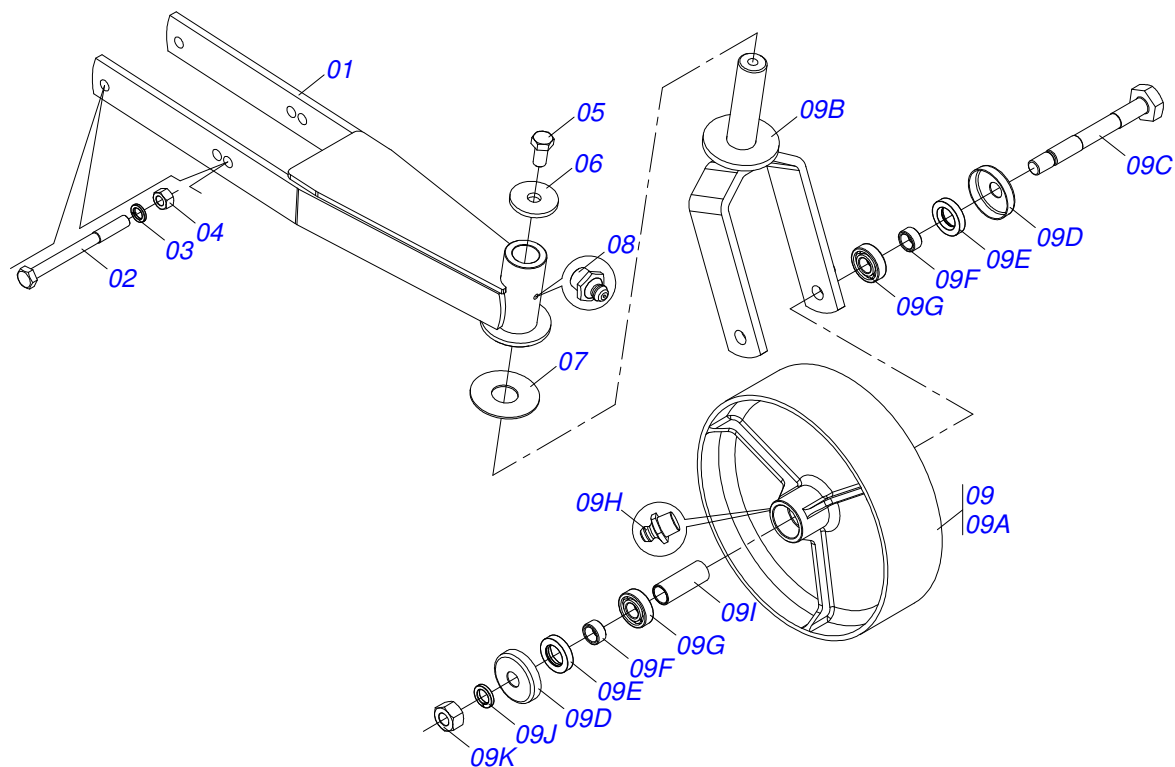
Item	Code	Description	See page	QT
01	0503060100	HAND BOOK COMPARTMENT		01
02	0503010267	NYLON CLAMP		01
03	0503010363	5/16" X 1" BOLT		01
04	0501010694	FLAT WASHER		01
05	0503010179	SPRING WASHER		01
06	0503010337	5/16" NUT		01



Item	Code	Description	See page	QT
01	0521067419	CARDAN SUPERIOR PROTECTION COVER		01
02	0581011777	BODY LOWER PROTECTION COAT		01
03	0581011779	FIXER BODE CAP		02
04	0581012546	LUBRICATION AXIS TRANSMISSION		01
05	0503010256	3/8" X 3/4" BOLT		02
06	0503010025	3/8 SPRING WASHER		06
07	0503010237	3/8" X 1" BOLT		04
08	0501010984	FLAT WASHER		04
09	0501047949	DRIVE SHAFT	12	01



Item	Code	Description	See page	QT
01	0501051715	UNIVERSAL JOINT		01
02	0501050265	UNIVERSAL JOINT		01
03	0501050333	1-40 TERMINAL WITH HITCH		01
04	0502010565	2-40 TERMINAL W/ SH 1.5"/1.5"		01
05	0503012069	ADAPTER FOR BUSHING PROTECT		01
06	0501017429	31" X 1.5" SQUARE SLEEVE		01
07	0503010836	CARDAN CROSSPIECE		02
08	0503011069	0.4" X 2.8" SPRING PIN		01
09	0503010510	0.2" X 2.6" SPRING PIN		01
10	0501051716	UNIVERSAL JOINT WITH SHAFT		01
11	0501050466	UNIVERSAL JOINT WITH CROSSPIECE		01
12	0501043660	FRICTION		01
13	0502010566	3-40 TERMINAL W/ SH 1.2"/1.2"		01
14	0503012070	ADAPTER FOR AXLE PROTECTION		01
15	0501017425	1.2" X 31.5" SQUARE SHAFT		01
16	0503010361	SPRING PIN		01
17	0503010756	0.2" X 2.4" SPRING PIN		01
18	0501051701	UNIVERSAL JOINT WITH SLEEVE/PROT		01
19	0501051702	UNIVERSAL JOINT WITH AXLE/PROT		01
20	0503012077	PROTECTION ASSY		01
21	0503012078	PROTECTION FOR UNIV JOINT AND SLEEV		01
22	0503012079	PROTECTION FOR UNIV JOINT AND AXLE		01
23	0503012023	CHAIN FOR UNIV JOINT PROTECTION		02
24	0502010563	1-40 STRIATED 1.3/8" TERMINAL		01
25	0521010638	0.5" X 3.3" QUIC HITCH COUPL SHAFT		01
26	0503030518	0.5"X1.0"X 0.1" COMPRESSION SPRING		01
27	0503010838	0.1" X 0.8" SPRING PIN		01



Item	Code	Description	See page	QT
01	0521065281	WHEEL SUPPORT		01
02	0503010795	5/8" X 7" BOLT		02
03	0503010027	SPRING WASHER		02
04	0503010013	5/8" NUT		02
05	0503010962	5/8" X 1-1/4" BOLT		01
06	0511010721	FLAT WASHER		01
07	0511013239	FLAT WASHER		01
08	0503010002	1800 GREASE FITTING		01
09	0501058460	CARRYING WHEELS		01
09A	0502012519	350 X 100 WHEEL ASSY		01
09B	0501065266	WHELL FORK		01
09C	0501017143	WHEEL AXLE		01
09D	0511014254	DUST CLOAK		02
09E	0503010268	00262-B SEAL		02
09F	0521010487	SPACER WASHER		02
09G	0503010269	6204 BALL BEARING		02
09H	0503010002	1800 GREASE FITTING		01
09I	0521010460	0.9" X 1.1" X 2.9" SLEEVE		01
09J	0503011442	3/4" SPRING WASHER		01
09K	0503010014	3/4" NUT		01



MARCHESAN IMPLEMENTOS E MÁQUINAS AGRÍCOLAS TATU S.A.

AV. Marchesan, 1979 - Post office box, 131 - CEP 15994-900 - Matão - SP - Brazil

Phone +55 16.3382-8282

(FAX Parts) + 55 16.3382. 8297 - (Export) + 55 16.3382.1003

e.mail: tatu@marchesan.com.br www.marchesan.com.br

Technical Publications: Elaboration

ALESSANDRA PATRICIA KAWAHARA CARRILI

Technical Publications: Revision

ALESSANDRA PATRICIA KAWAHARA CARRILI

Contact Catálogo:

E-mail = jgaspari@marchesan.com.br

**ORIGINAL PARTS
TATU**

