

PCA - AGRICULTURAL FRONT LOADER

PCA 600 JD 54/5603/5078/5085 BT CD SL

Code: 0501092378
Series: S-0311
Revision: 00
Date Revision: NOVEMBRO/2018

PARTS CATALOGUE



MARCHESAN



PRODUCTS

Code	Description
0106111478	PCA 600 JD 54/5603/5078/5085 BT CD SL

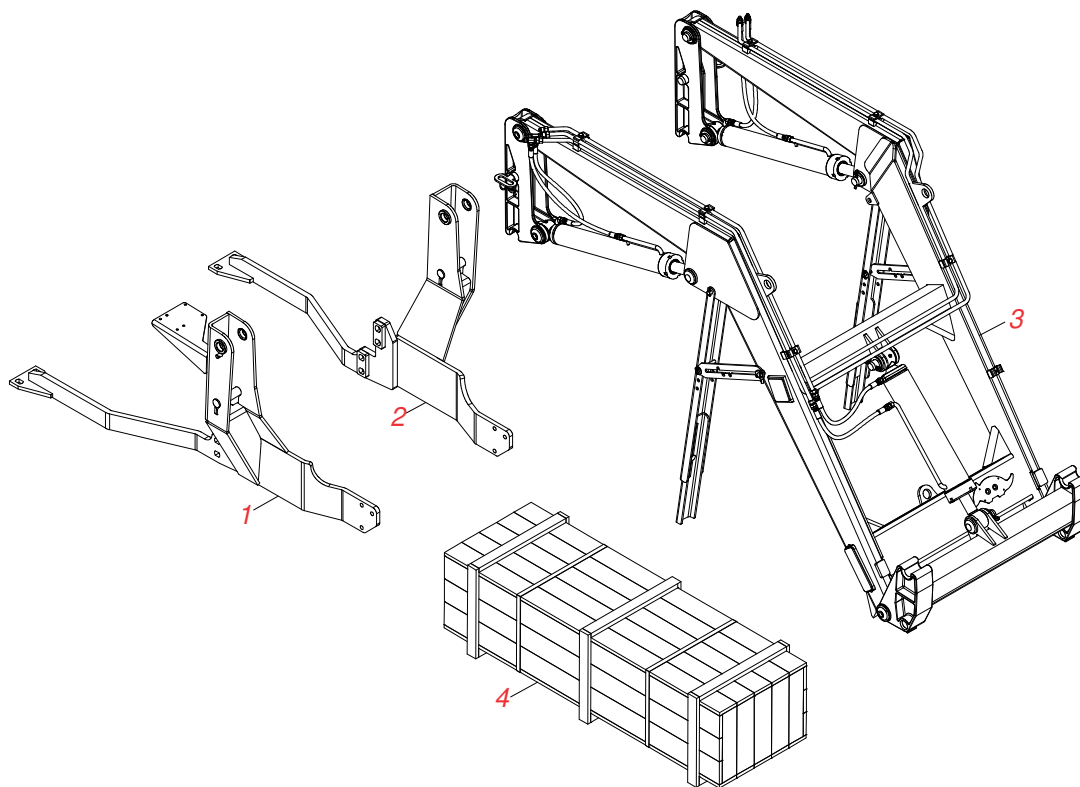
ATTENTION: IMPORTANT

Marchesan S.A. reserves the right to improve and / or modify the technical features of its products, without obligation to do the same with those products already sold and without prior knowledge of the dealer or the consumer.

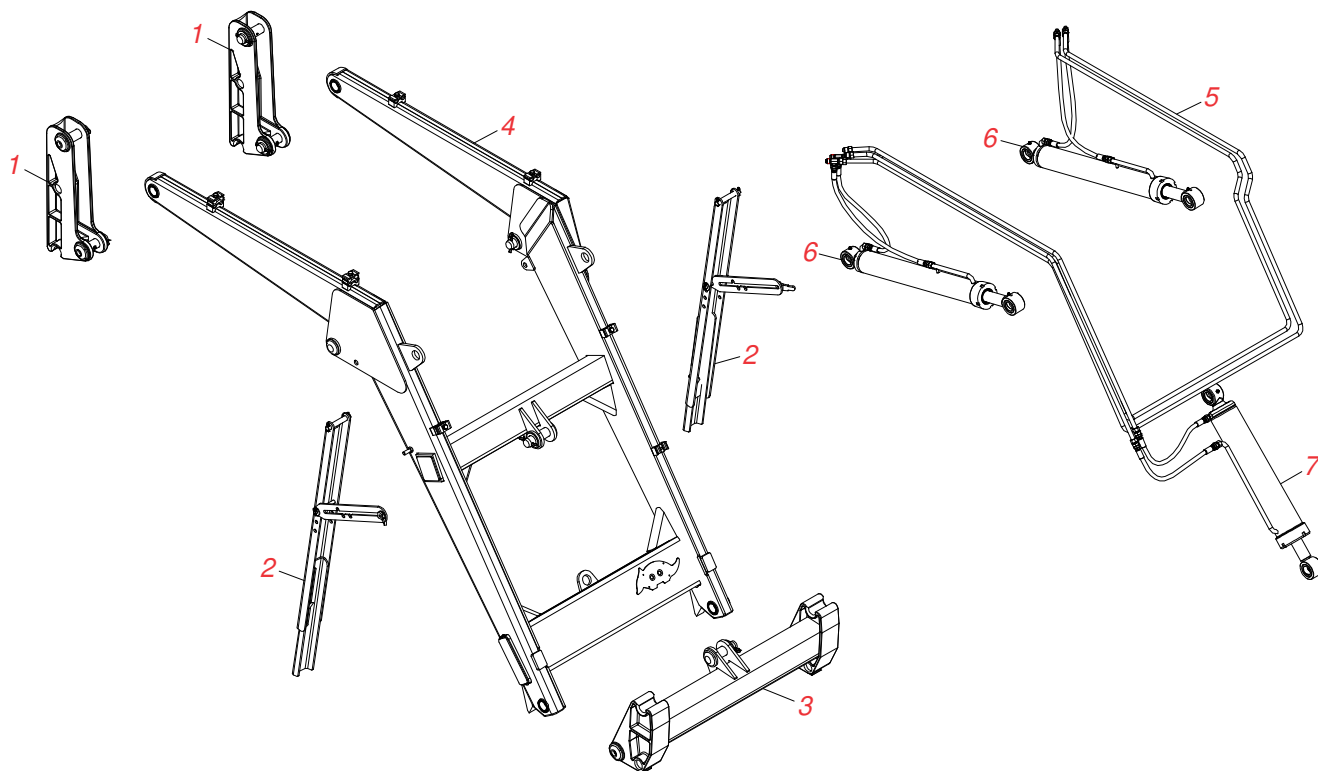


INDEX

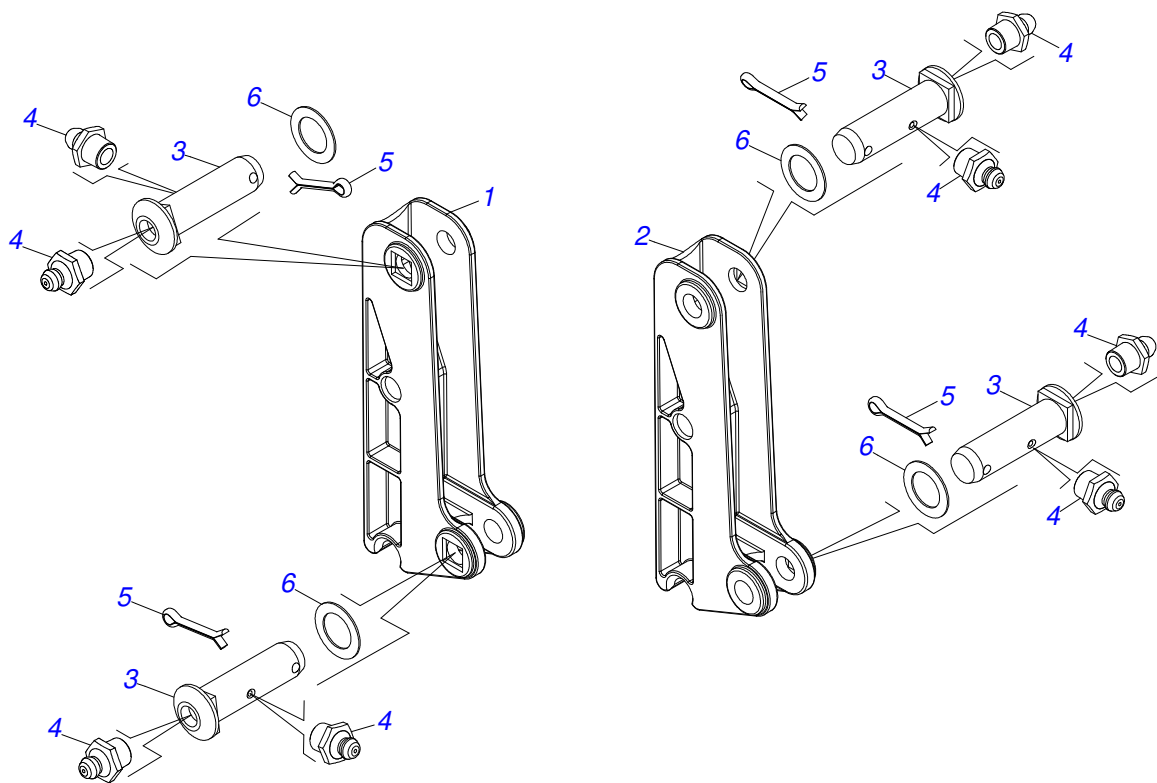
0106111478	PCA 600 JD 54/5603/5078/5085 BT CD SL	1
0511049179	FULL MOVABLE STAND	2
0909095396	MOBILE TOWER	3
0909092667	ADJUSTABLE REST OF MOVABLE SUPPORT	4
0909094826	ARTICULATOR SUPPORT AND COMPONENTS	5
0909095004	MOBILE STAND AND COMPONENTS	6
0909095398	HIDRAULIC SYSTEM OF THE MOBILLE SUPPORT	7
0521050762	44,45 X 76,20 X 865 X 555 HYDRAULIC CYLINDER	8
0511057915	44,45 X 101,60 X 702 X 738 HIDRAULIC CYLINDER	9
0501053834	MALE QUICK COUPLER WITH CAP - 1/2 NPT	10
0501053835	FEMALE QUICK COUPLER	11
0521021056	BOX WITH COMPONENTS	12
0511049987	DOUBLE 3/8 "COMMAND WITH PRESSURE PASSAGE	13
0511047872	ASSY 3/8" COMMAND LEVER	14
0521050880	HOSE SET	15
0511031550	PACKED PARTS	16
0511032522	HYDRAULIC SCHEMES	17



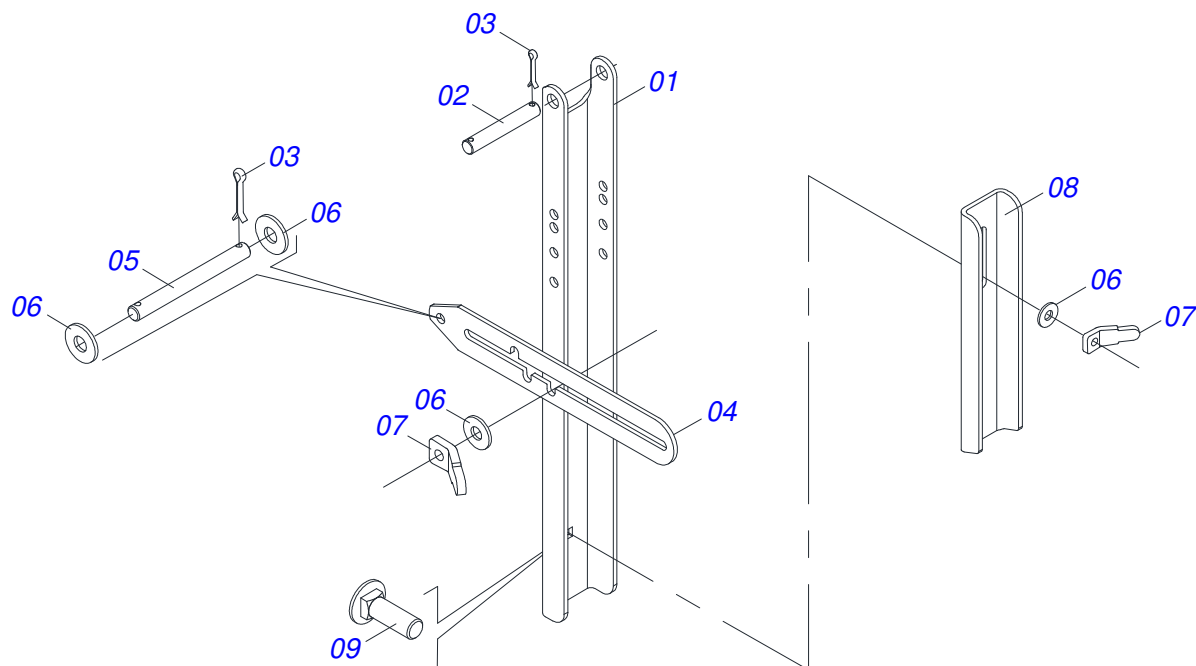
Item	Code	Description	See page	QT
01	0521062043	RIGHT FRAME		01
02	0521062042	LEFT FRAME		01
03	0511049179	FULL MOVABLE STAND	2	01
04	0521021056	BOX WITH COMPONENTS	12	01



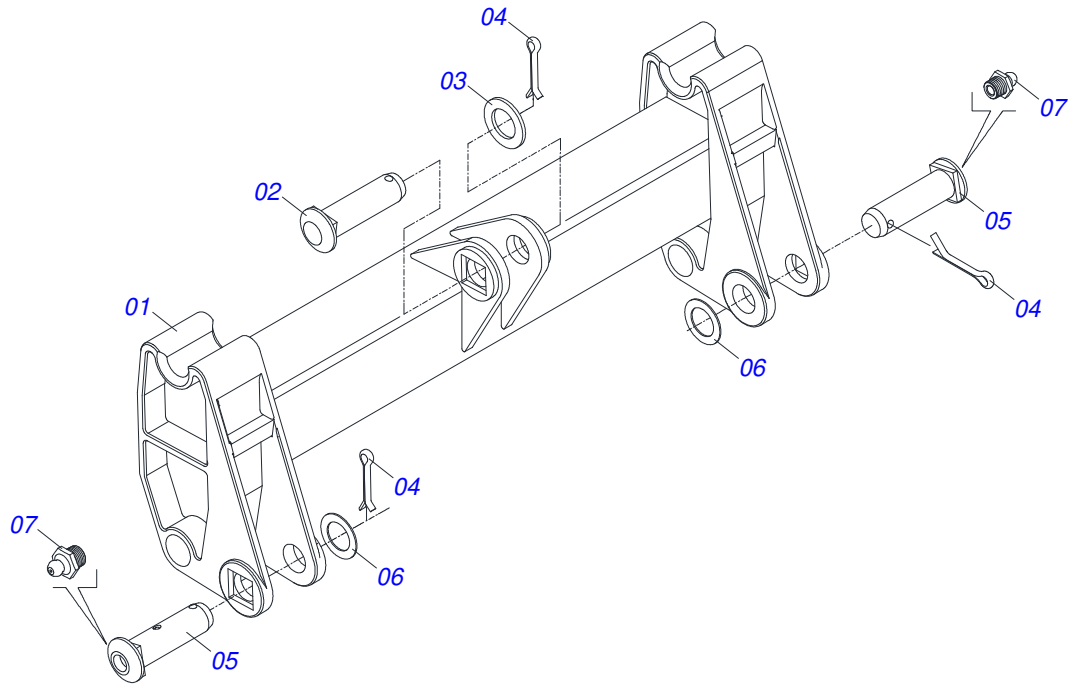
Item	Code	Description	See page	QT
01	0909094279	MOVEL TOWER AND COMPONENTS		02
02	0909092667	ADJUSTABLE REST OF MOVABLE SUPPORT	4	02
03	0909094826	ARTICULATOR SUPPORT AND COMPONENTS	5	01
04	0909095004	MOBILE STAND AND COMPONENTS	6	01
05	0909095398	HIDRAULIC SYSTEM OF THE MOBILLE SUPPORT	7	01
06	0521050762	44,45 X 76,20 X 865 X 555 HYDRAULIC CYLINDER	8	02
07	0511057915	44,45 X 101,60 X 702 X 738 HIDRAULIC CYLINDER	9	01



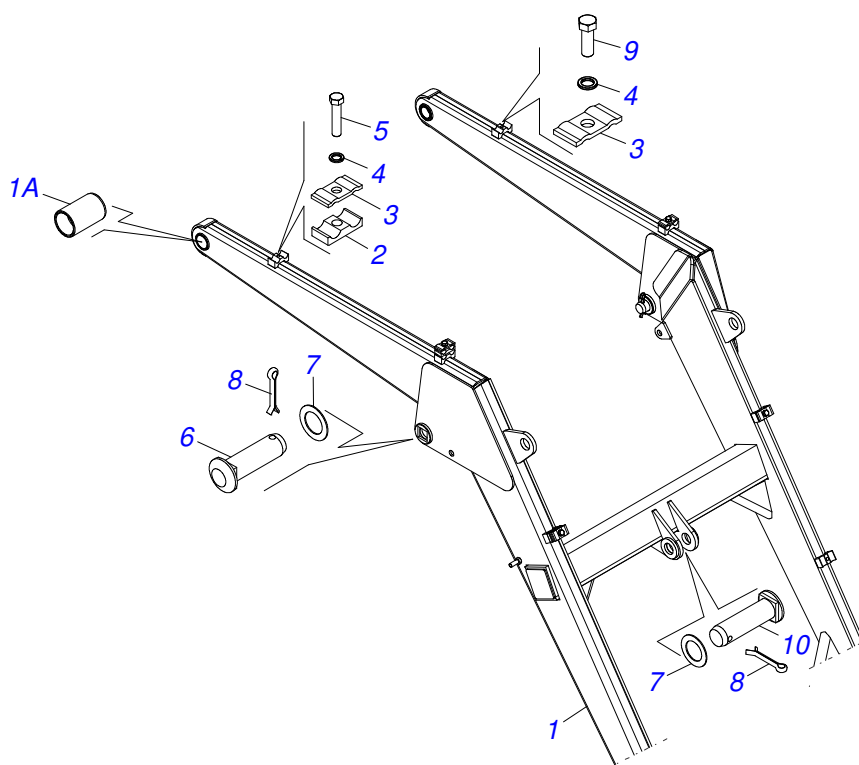
Item	Code	Description	See page	QT
01	0502012382	RIGHT MOBILE TOWER		01
02	0502012381	LEFT MOBILE TOWER		01
03	0511019519	1.5" X 1.4" PIVOT SHAFT		04
04	0503010002	1800 GREASE FITTING		08
05	0503010534	3/8 X 2-1/2 COTTERPIN		04
06	0511819685	FLAT WASHER		04



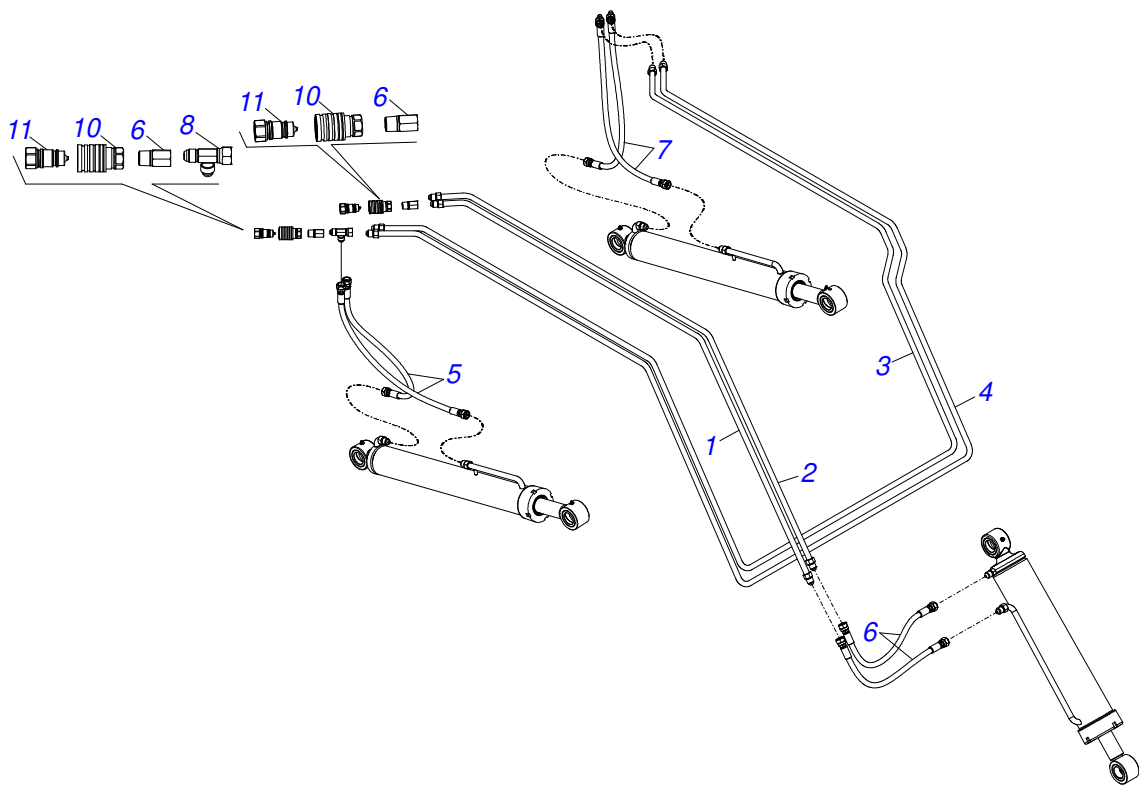
Item	Code	Description	See page	QT
01	0561016401	PLOUGH SUPPORT BODY	02	
02	0511013598	3/4" X 4.7" COUPLING SHAFT	02	
03	0503010071	3/16" X 1" COTTERPIN	08	
04	0511019634	CONTROL LOCK	02	
05	0521012823	COUPLING SHAFT	02	
06	0511017302	FLAT WASHER	08	
07	0561016329	LATCH HOLDER REST PCA	04	
08	0561016619	COMPLEMENTON REST	02	
09	0503014378	1/2" X 1-1/2" BOLT	02	



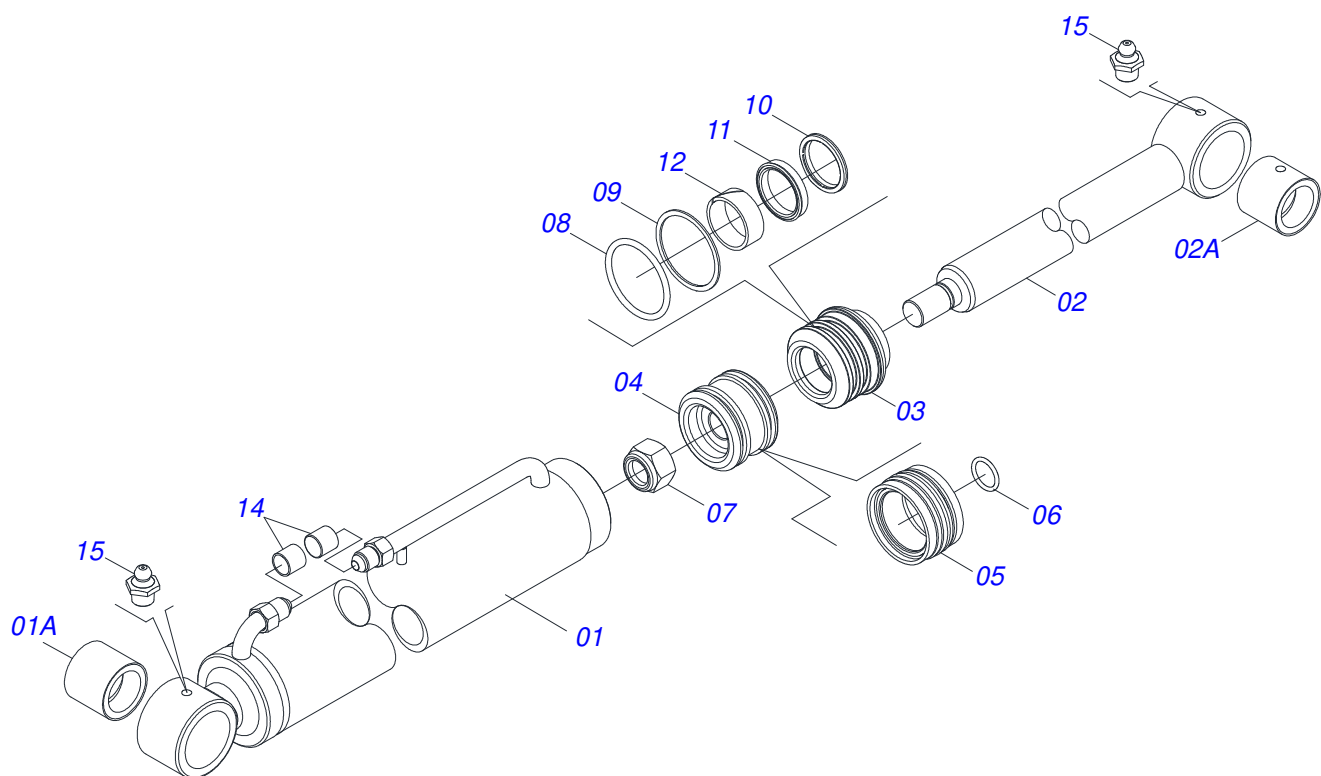
Item	Code	Description	See page	QT
01	0501069934	ARTÍCULOS SOPORTE PCA 600 AX 5.80-4		01
02	0521010904	1.5" X 1.4" PIVOT SHAFT		01
03	0501012916	FLAT WASHER 38,50 X 66 X 4,75 ZN		01
04	0503010534	3/8 X 2-1/2 COTTERPIN		03
05	0511019519	1.5" X 1.4" PIVOT SHAFT		02
06	0511019685	FLAT WASHER		02
07	0503010002	1800 GREASE FITTING		02



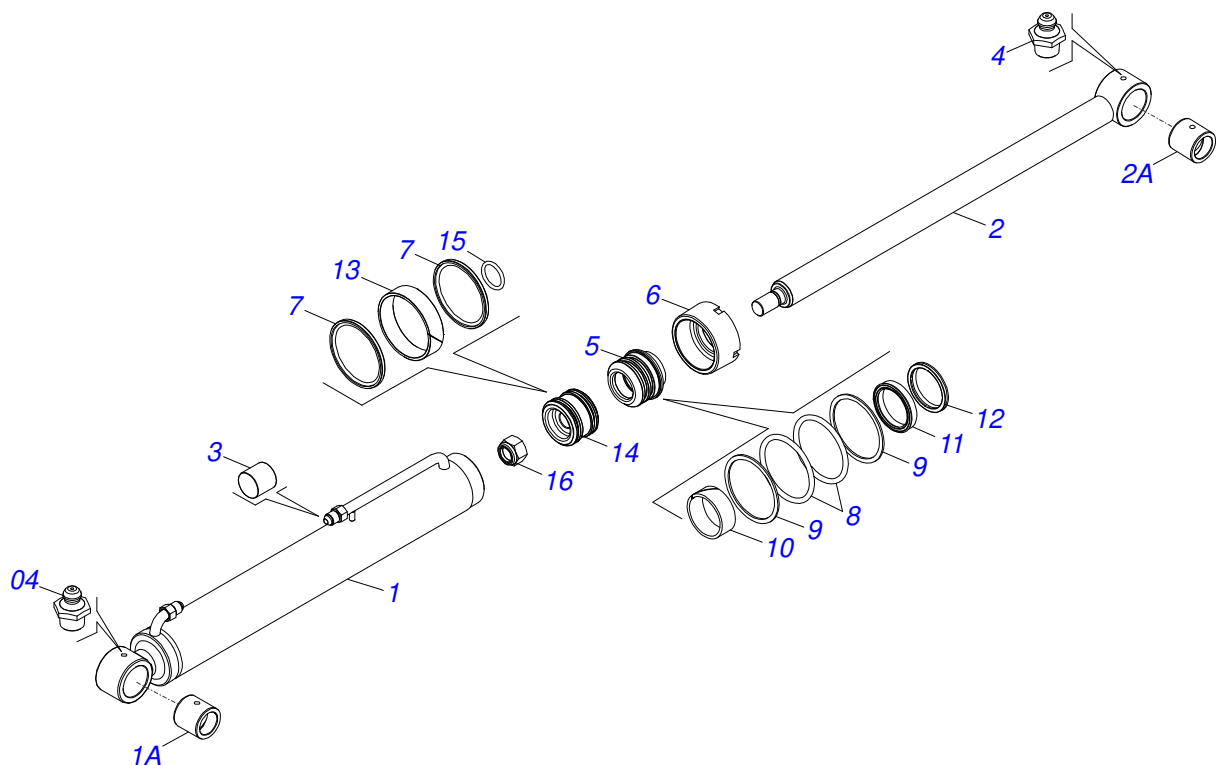
Item	Code	Description	See page	QT
01	0521061958	MOBILE SUPPORT		01
01A	0501110253	BUSHING 37,70 X 55 X 70 PCA		04
02	0502010477	HOSE CLAMP		03
03	0531011180	UPPER BODY CLIP		06
04	0503010180	7/16" SPRING WASHER		06
05	0503012555	SCREW 7/16 UNC X 2 CS RT G.7 ZN		03
06	0511019521	1.5" X 1.4" PIVOT SHAFT		02
07	0511019685	FLAT WASHER		03
08	0503010534	3/8 X 2-1/2 COTTERPIN		03
09	0503011102	BOLT 7/16 UNC X 1.1/4 C S G.5 ZN		03
10	0521010904	1.5" X 1.4" PIVOT SHAFT		01



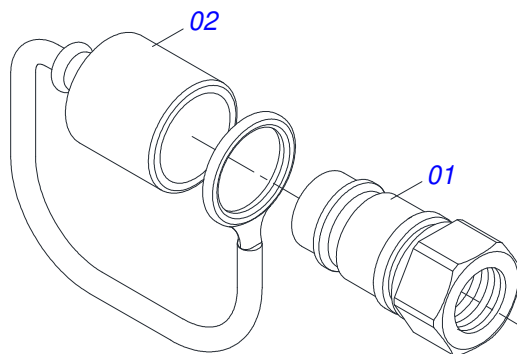
Item	Code	Description	See page	QT
01	0521063126	TOP EXTERNAL OIL DISTRIBUTOR - PCA JD 5075		01
02	0521063127	SUPERIOR OIL ROOM DISTRIBUTOR		01
03	0521061971	LEFT INTERNAL OIL DISTRIBUTOR		01
04	0521061972	LEFT OUTER OIL DISTRIBUTOR		01
05	0501080105	TR-TR HOSE ASSY		02
06	0501080635	3/8" X 19" TR-TR HOSE		02
07	0501080413	3/8" X 27" TR-TC HOSE		02
08	0503011968	3/4" 8R6X-S T ADAPTER WITH SWIVEL NUT		02
09	0511019876	1/2" NIPPLE		04
10	0501053835	FEMALE QUICK COUPLER	11	04
11	0501053834	MALE QUICK COUPLER WITH CAP - 1/2 NPT	10	04



Item	Code	Description	See page	QT
01	0511071163	76,20 X 740 CYLINDER CASE		01
01A	0521010514	38,1 X 52,9 X 50 SLEEVE INTER		01
02	0521066424	AIR TURNBUCKLE		01
02A	0521010514	38,1 X 52,9 X 50 SLEEVE INTER		01
03	0581010301	RING SUPPORT		01
04	0581010304	PISTON		01
05	0503018136	ZW 007600260 AGEL RING		01
06	0503010042	2-214 N 3006-9B O-RING		01
07	0503010063	1" SELF-ALIGNING NUT		01
08	0503010343	2-334 N 3006-9B O-RING		02
09	0503011059	8-334 BACK-UP RING		02
10	0503010761	D-1750 SCRAPER RING		01
11	0503017937	GASKET		01
12	0503017938	RING GUIDE		01
13	0502011899	MOBILE COVER		01
14	0503030385	CYLINDER PLUG N-002		02
15	0503010002	1800 GREASE FITTING		02

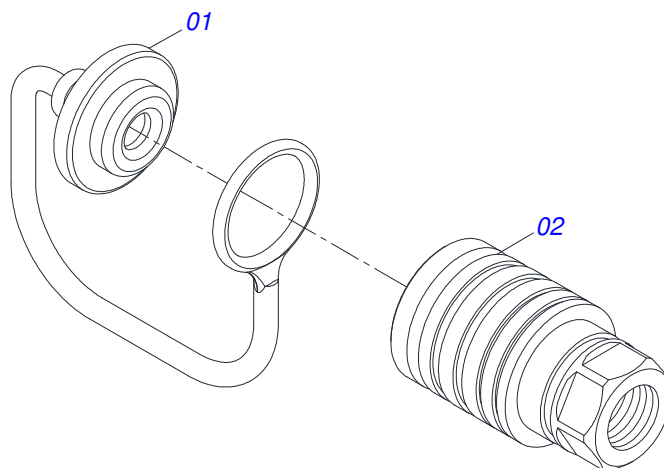


Item	Code	Description	See page	QT
01	0511066339	101,6 X 548 CYLINDER CASE - PCA 600		01
01A	0521010514	38,1 X 52,9 X 50 SLEEVE INTER		01
02	0521066430	44,45 X 630 EXTENDER		01
02A	0521010514	38,1 X 52,9 X 50 SLEEVE INTER		01
03	0503030385	CYLINDER PLUG N-002		02
04	0503010002	1800 GREASE FITTING		02
05	0581010302	RING OF SUPPORT		01
06	0502012822	101.60 END CAP		01
07	0503018158	OE 101605200211D-BR RING BS		02
08	0503011061	8-342 BACK-UP RING		02
09	0503010338	2-342 N 3006-9B O'RING		02
10	0503017938	RING GUIDE		01
11	0503017937	GASKET		01
12	0503010761	D-1750 SCRAPER RING		01
13	0503010994	W2-4000-500 PK RING G.E		01
14	0581010303	PISTON 4 - PCA 600		01
15	0503018029	2-217 O'RING		01
16	0503010817	1.1/4" SELF LOCKING NUT		01

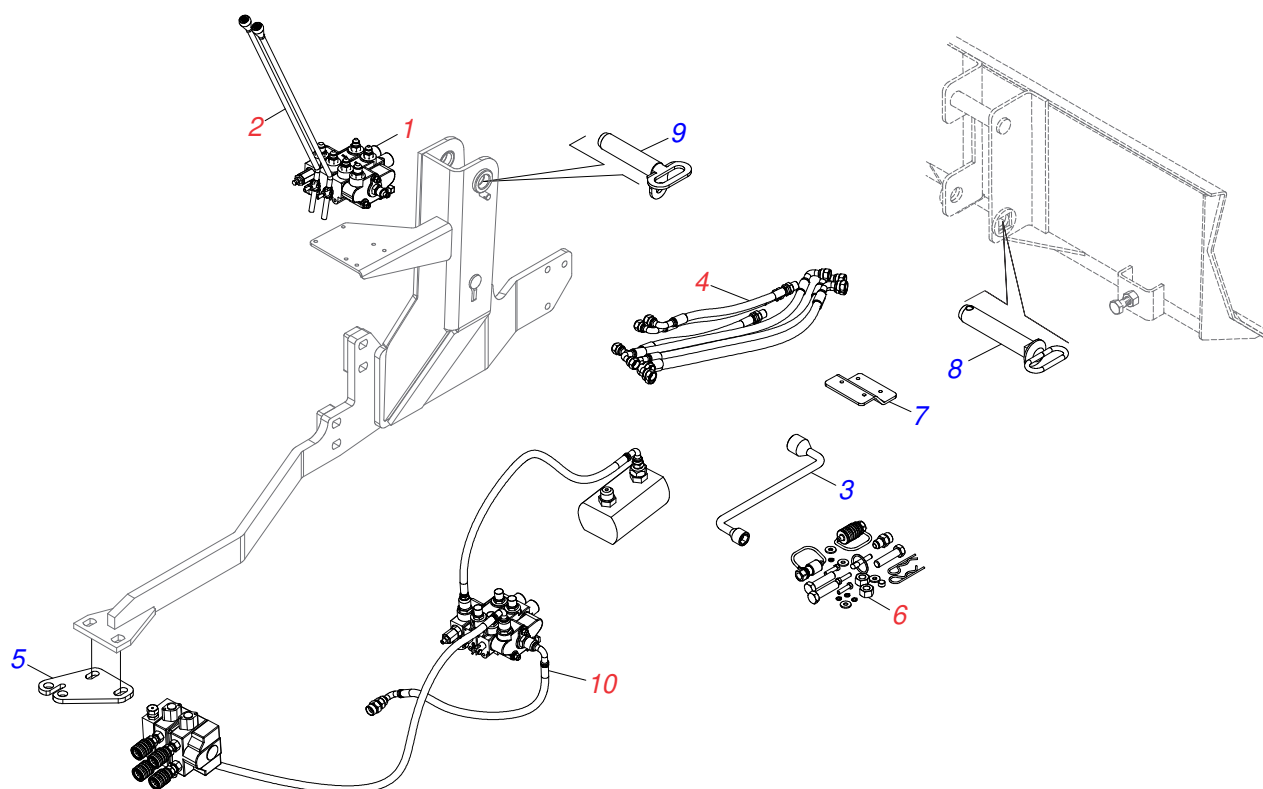


Item	Code	Description	See page	QT
01	0503011627	MALE QUICK COUPLER AGR 1/2 NPT		01
02	0503011882	MALE QUICK COUPLER CAP		01

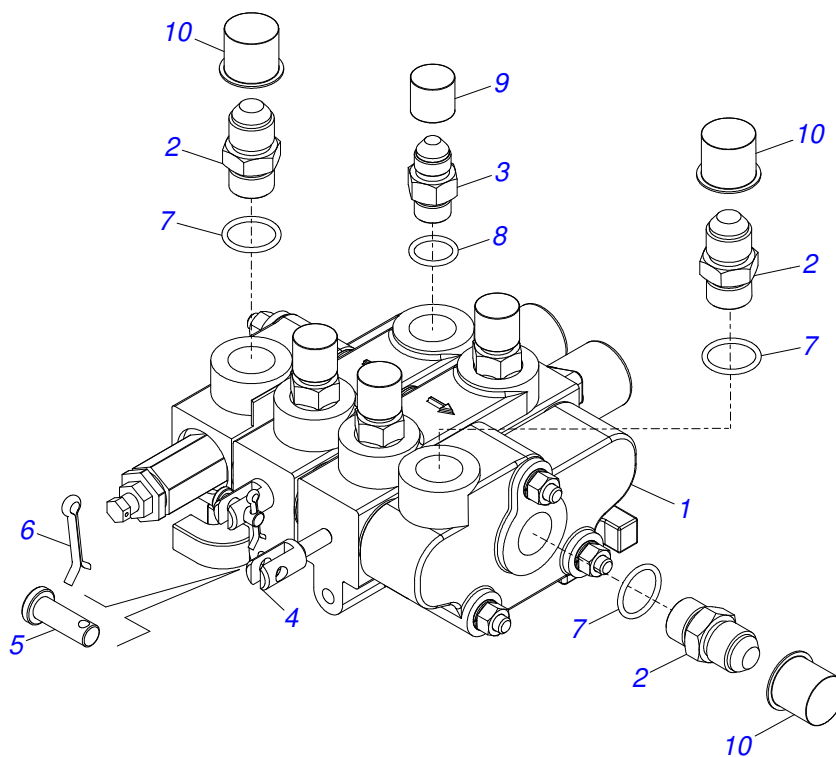
FEMALE QUICK COUPLER



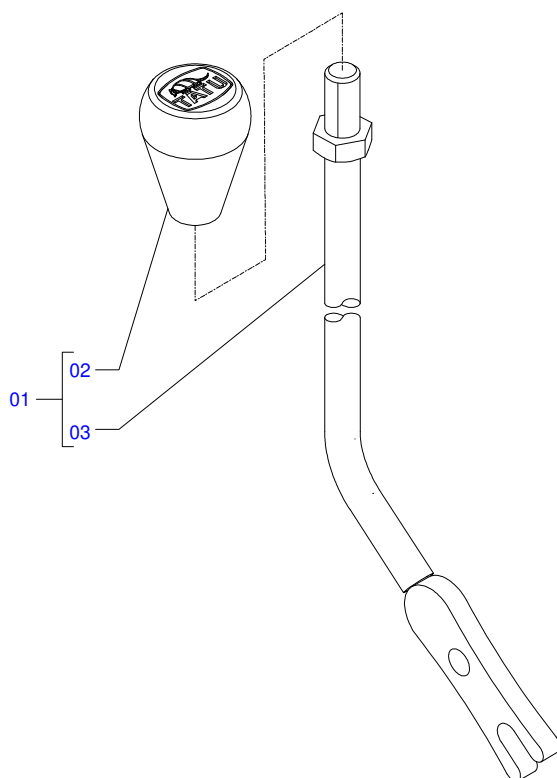
Item	Code	Description	See page	QT
01	0503011883	QUICK CONNECTION COVER		01
02	0503011628	FEMALE QUICK COUPLER		01



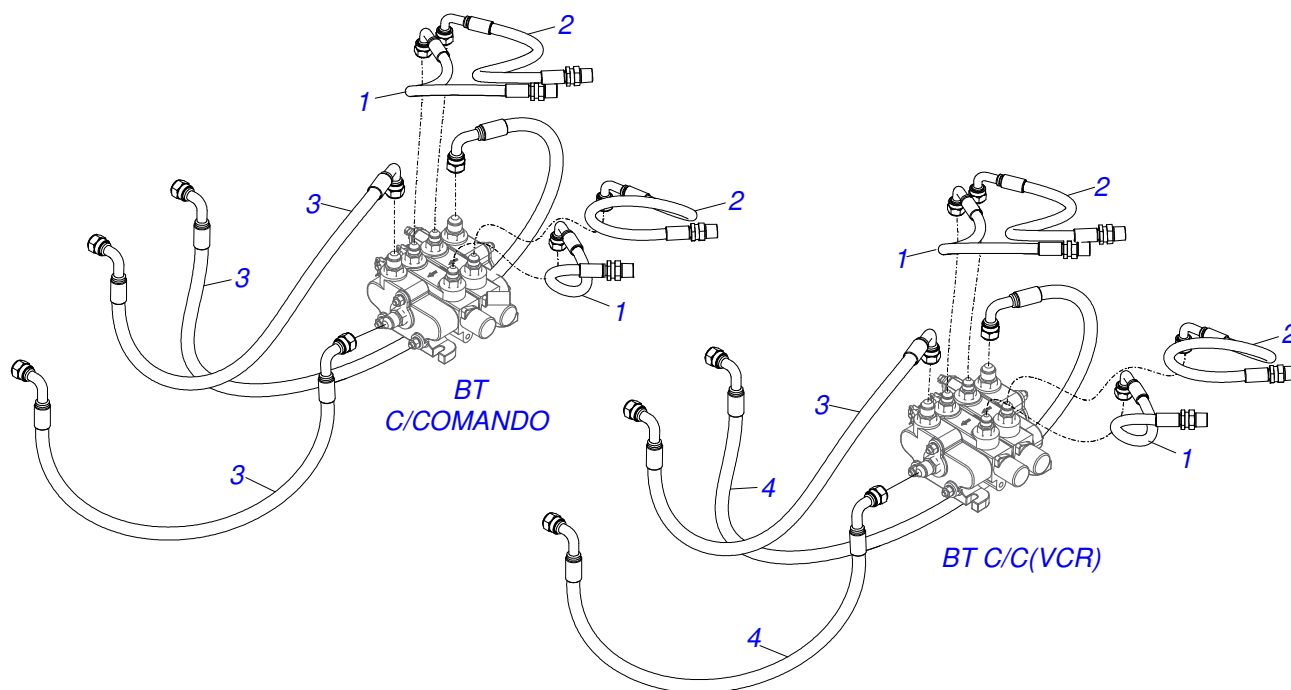
Item	Code	Description	See page	QT
01	0511049987	DOUBLE 3/8 "COMMAND WITH PRESSURE PASSAGE	13	01
02	0511047872	ASSY 3/8" COMMAND LEVER	14	02
03	0501068213	5/8" WRENCH DOUBLE		01
04	0521050880	HOSE SET	15	01
05	0561017651	DIFFERENTIAL SHOE		02
06	0511031550	PACKED PARTS	16	01
07	0561017868	GLASS PROTECTION SUPPORT BRACKET		01
08	0521063680	HITCH PIN (185)		02
09	0521061682	AXLE FIXER		02
10	0511032522	HYDRAULIC SCHEMES	17	02



Item	Code	Description	See page	QT
01	0503061820	DOUBLE COMMAND - SAUER 603869		01
02	0501010590	NIPPLE		03
03	0501010617	3/4" NIPPLE		04
04	0503012763	LOWER LEVER		02
05	0521010532	0.3" X 0.9" COUPLING SHAFT		04
06	0503010140	1/8" X 3/4" COTTERPIN		04
07	0503010045	O-RING		03
08	0503010190	2-114 N 3006-9B O-RING		04
09	0503030385	CYLINDER PLUG N-002		04
10	0503030387	PLUG		03

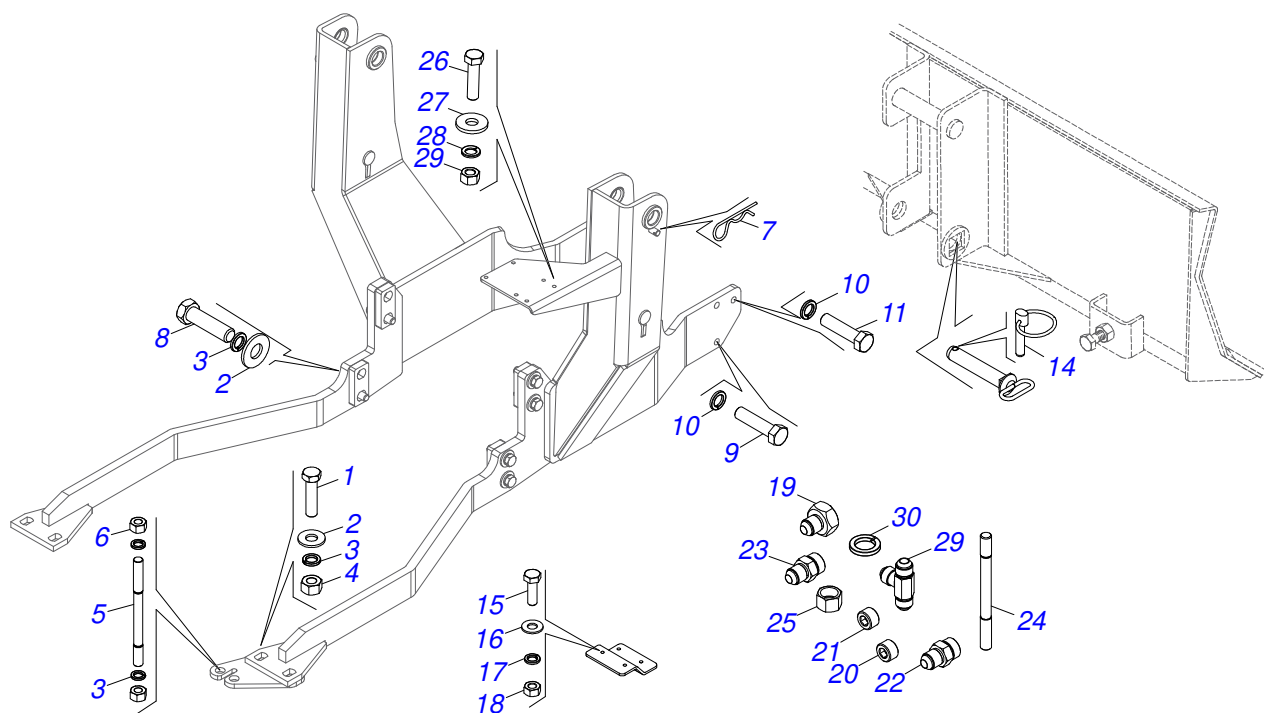


Item	Code	Description	See page	QT
01	0511047872	ASSY 3/8" COMMAND LEVER	14	01
02	0503030878	LEVER CRANK		01
03	0521060682	CONTROL VALVE LEVER		01

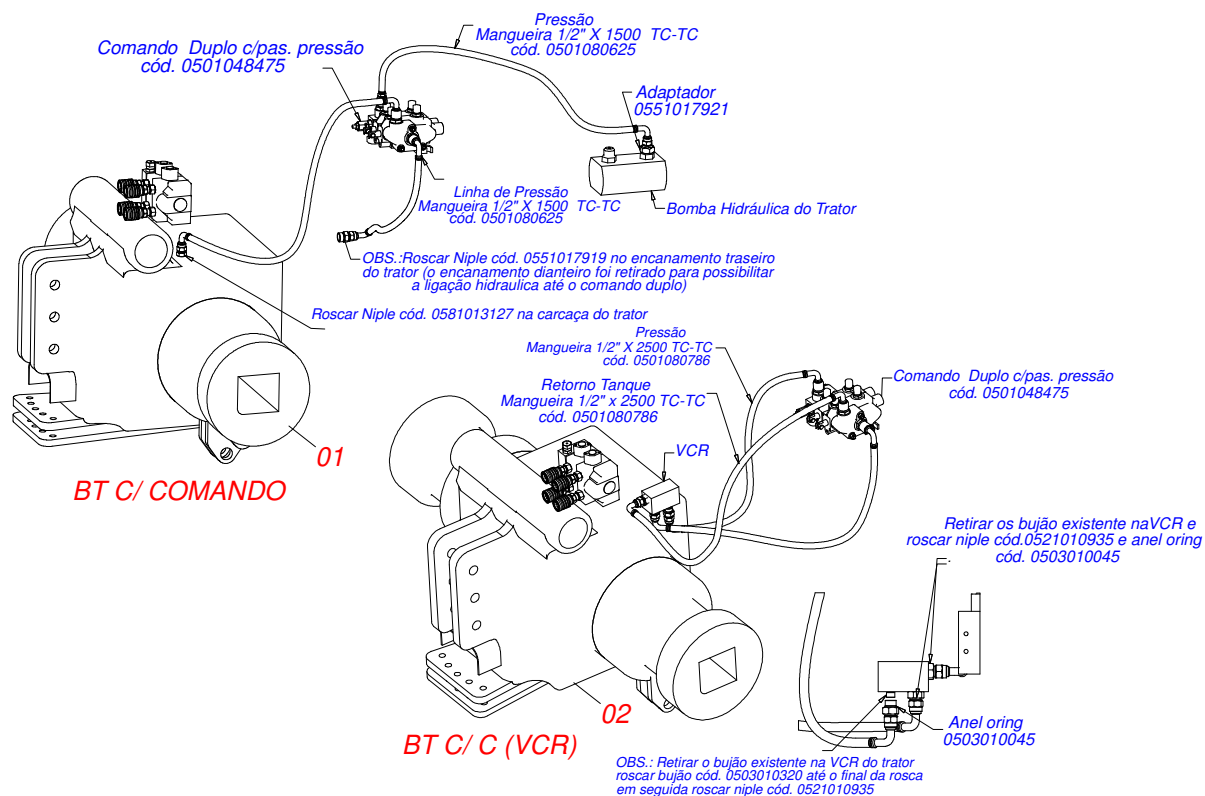


Item	Code	Description	See page	QT
01	0501080523	3/8 X 1000 HOSE TC-TM		02
02	0501080597	3/8" X 43" TC-TM HOSE		02
03	0501080273	1/2 X 2700 HOSE TC-TC		03
04	0501080624	HOSE		02

PACKED PARTS



Item	Code	Description	See page	QT
01	0501010500	3/4"X3"BOLT		04
02	0501010322	FLAT WASHER		16
03	0503010023	3/4" SPRING WASHER		20
04	0503010014	3/4" NUT		06
05	0561017654	M20 X 2.5 X 270 THREADED ROD ZN		04
06	0503015985	M20 X 2.5 ZN HEXAGONAL NUT		08
07	0503030012	HAIR PIN		02
08	0503013104	M20 X 2,5 X 80 BOLT		08
09	0503011188	M16 X 2 X 50 BOLT		04
10	0503010027	5/8" SPRING WASHER		06
11	0503012573	M16 X 2 X 65 BOLT		02
12	0531016799	SLEEVE 34,93 X 16,50 X 20		02
13	0503013493	T CONNECTION MALE		02
14	0503030430	7/16 X 2" PIN LOCK		02
15	0503010371	5/16" X 1" BOLT		04
16	0501010694	8.5 X 18 X 1.5 FLAT WASHER		04
17	0503010179	5/16" ZN SPRING WASHER		04
18	0503010337	5/16" NUT		04
19	0551017921	7/8 UNF X M30 X 2 X 43 ADAPTER		02
20	0503010320	3/8 INTERNAL HEXAGON PLUG		01
21	0503012151	3/8" BSP PLUG		01
22	0551017919	M27 X 2 X 7/8 UNF X 52 NIPLE		01
23	0521010935	7/8 UNF NIPLE X M22 X 1,5 X 52		03
24	0503034789	PRISONER		04
25	0503019335	METRIC NUT		08
26	0501010080	3/8" BOLT		03
27	0501010984	FLAT WASHER		03
28	0503010025	3/8" SPRING WASHER		03
29	0503010026	3/8" NUT		03
30	0503010012	1" SPRING WASHER		08



Item	Code	Description	See page	QT
01	0501091783	HYDRAULIC SCHEME BT C/C PD/PCA JD		01
02	0501091784	HYDRAULIC SCHEME BT C/C VCE PD/PCA JD 5075/5085		01



MARCHESAN

Technical Publications | Elaboration and Revision

JOÃO VIRGINIO ROCHA

www.marchesan.com.br

