

PARTS CATALOG

PCA - AGRICULTURAL FRONT LOADER

PCA 1100 NH 7630/8030-4 BT SC

Code: 0501092375



Series: S-0608

Rev.: 00

Date Rev.: FEVEREIRO/2019

**ORIGINAL PARTS
TATU**



PRODUCTS

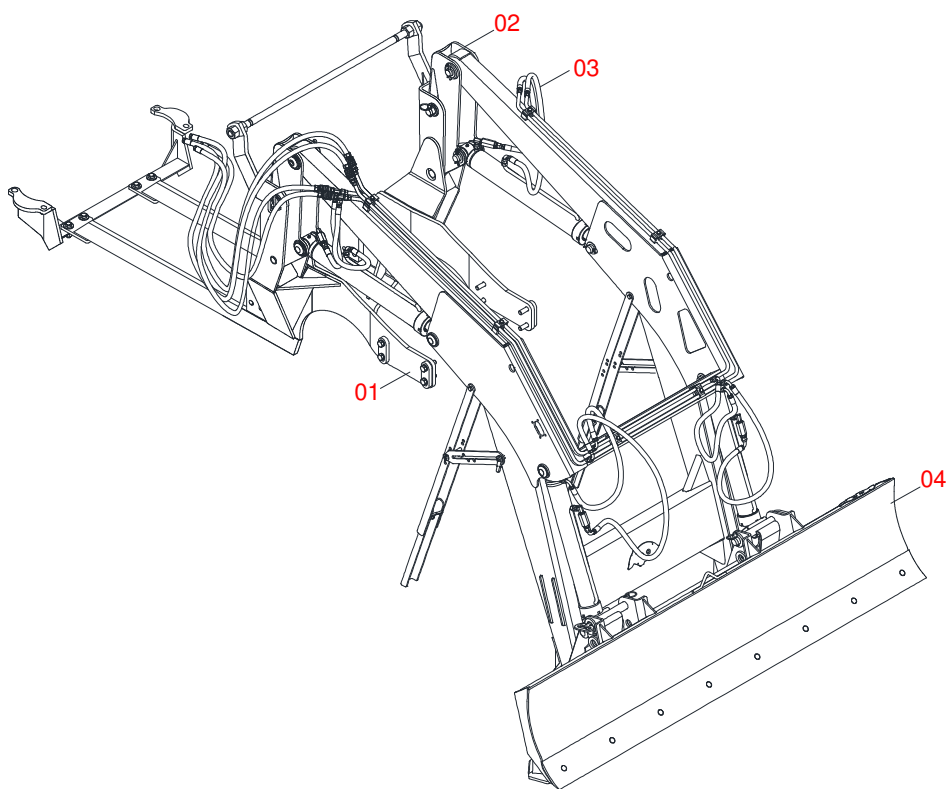
Code	Description
0106111072	PCA 1100 NH 7630/8030-4 BTSC S-0608

ATTENTION: **IMPORTANT**

MARCHESAN S/A RESERVES THE RIGHT AT ANY TIME TO MAKE IMPROVEMENTS IN THE DESIGN, MATERIAL OR SPECIFICATIONS OF MACHINERY, EQUIPMENT OR PARTS WITHOUT THEREBY BECOMING LIABLE TO MAKE SIMILAR CHANGES IN MACHINERY, EQUIPMENT OR PARTS PREVIOUSLY SOLD.

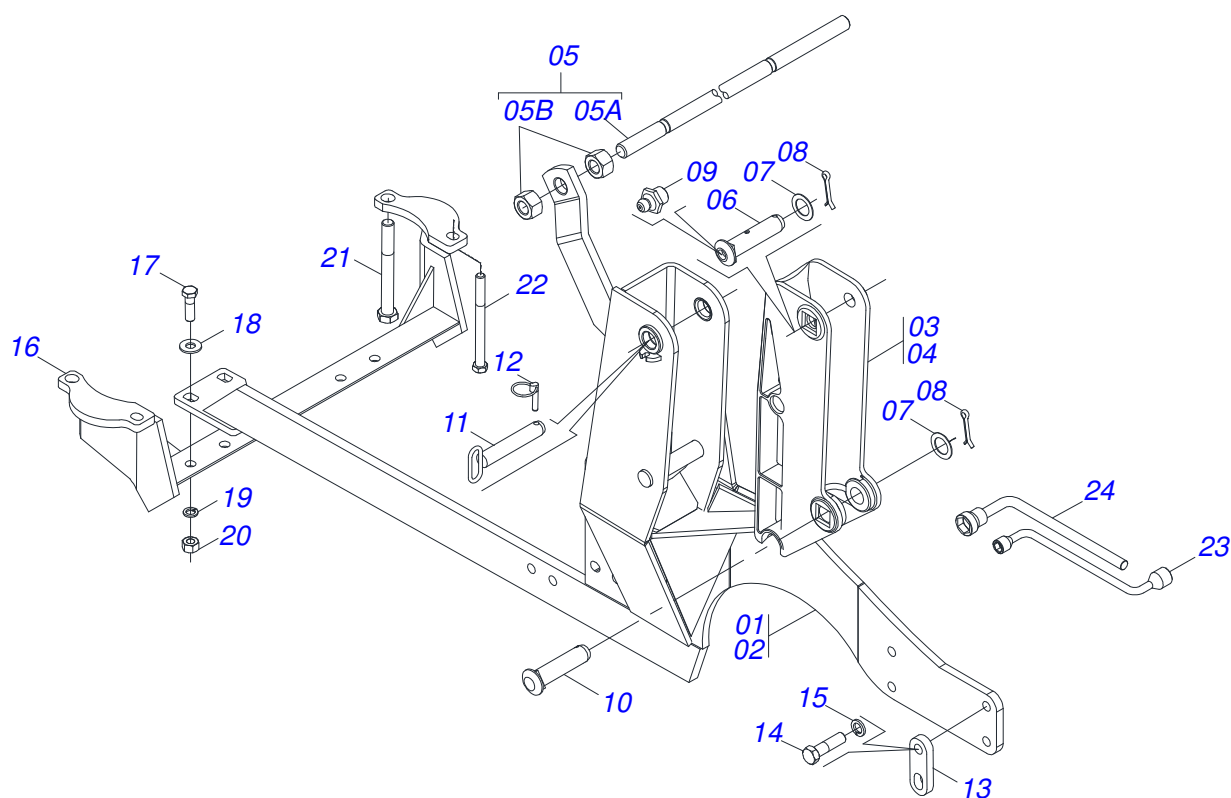
INDEX

0909095119	PCA 1100 NH 7630/8030 BT SC	1
0909095114	CHASSI ASSEMBLY	2
0909095115	MOVEL SUPPORT ASSEMBLY	3
0511043382	DOZER BLADE 2400 - PCA 800	4
0909095117	HIDRAULIC CIRCUIT MOBILI SUPPORT	5
0511057974	44,45 X 85,72 X 870 X 593 HYDRAULIC CYLINDER	6
0511057973	HIDRAULIC CYLINDER 44,45 X 76,20 X 820 X 551	7
0501053834	MALE QUICK COUPLING AGRICULTURAL WITH COVER - 1/2 NPT	8
0501053835	FEMALE QUICK COUPLER	9

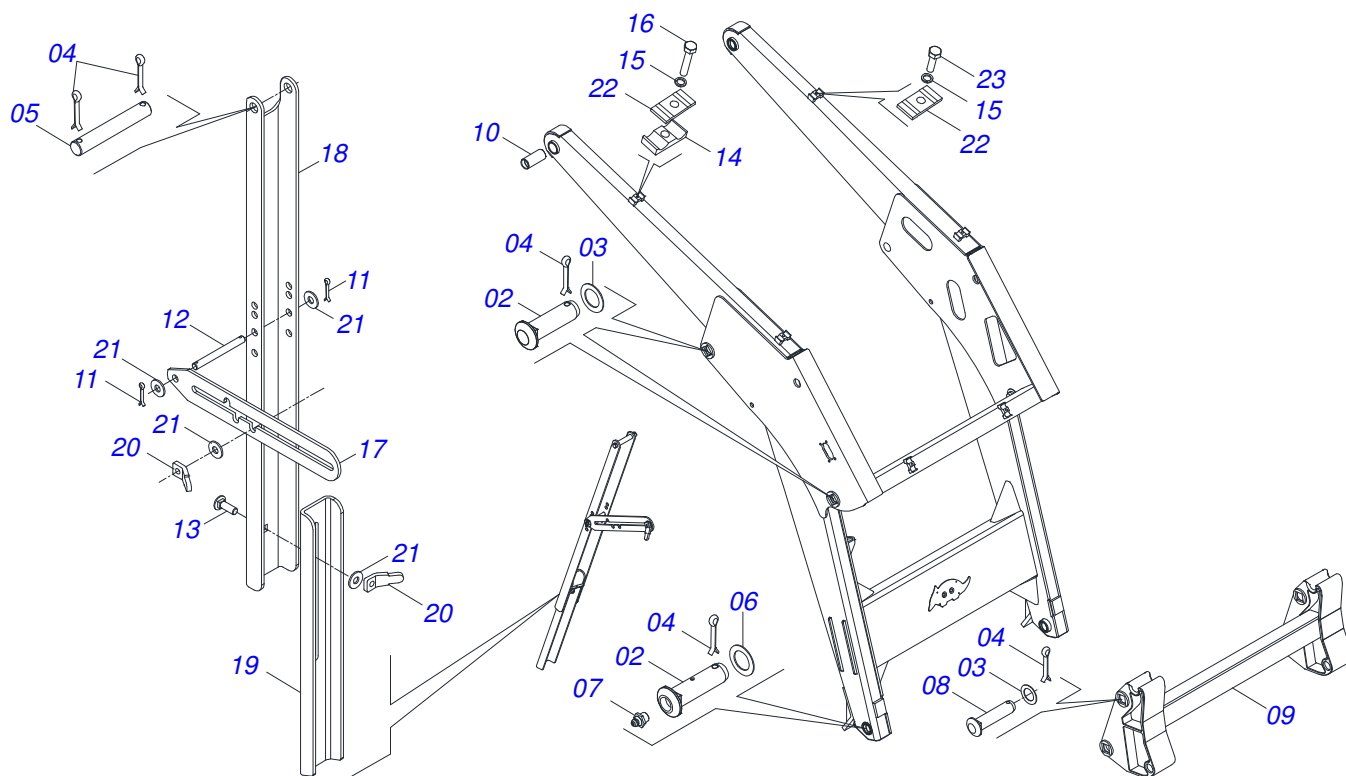


Item	Code	Description	See page	QT
01	0909095114	CHASSI ASSEMBLY	2	01
02	0909095115	MOVEL SUPPORT ASSEMBLY	3	01
03	0909095117	HIDRAULIC CIRCUIT MOBILI SUPPORT	5	01
04	0511043382	DOZER BLADE 2400 - PCA 800	4	01

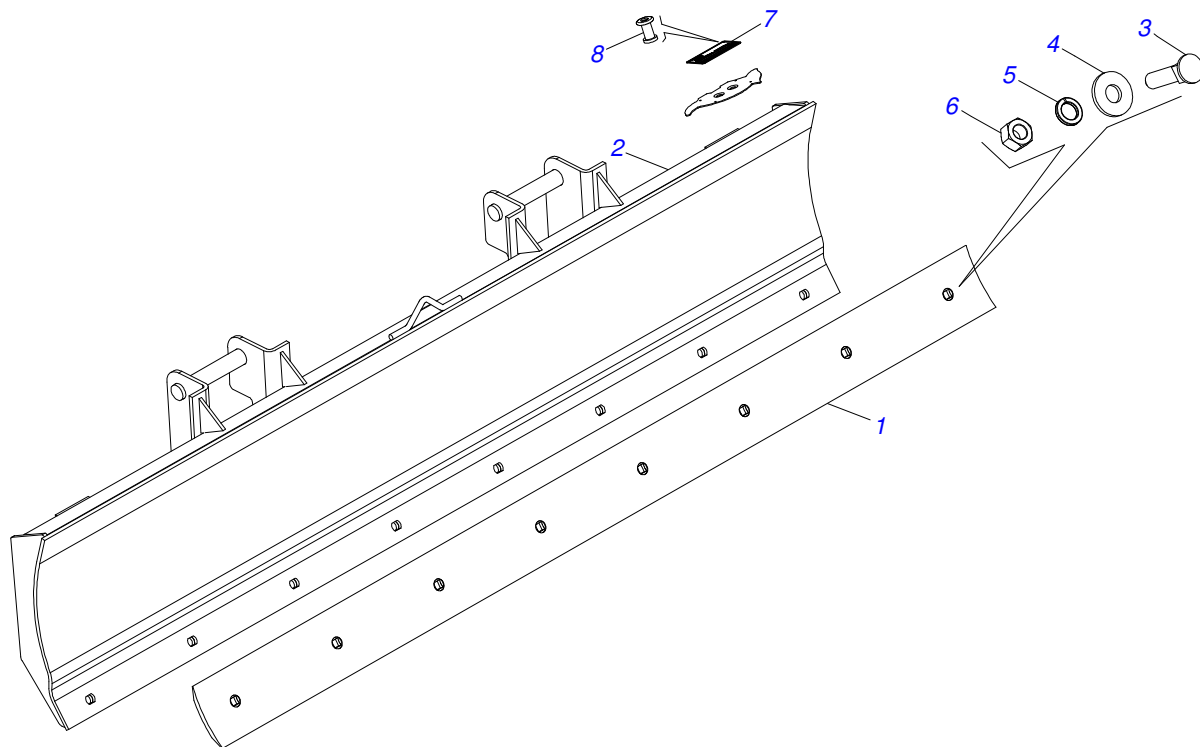
CHASSI ASSEMBLY



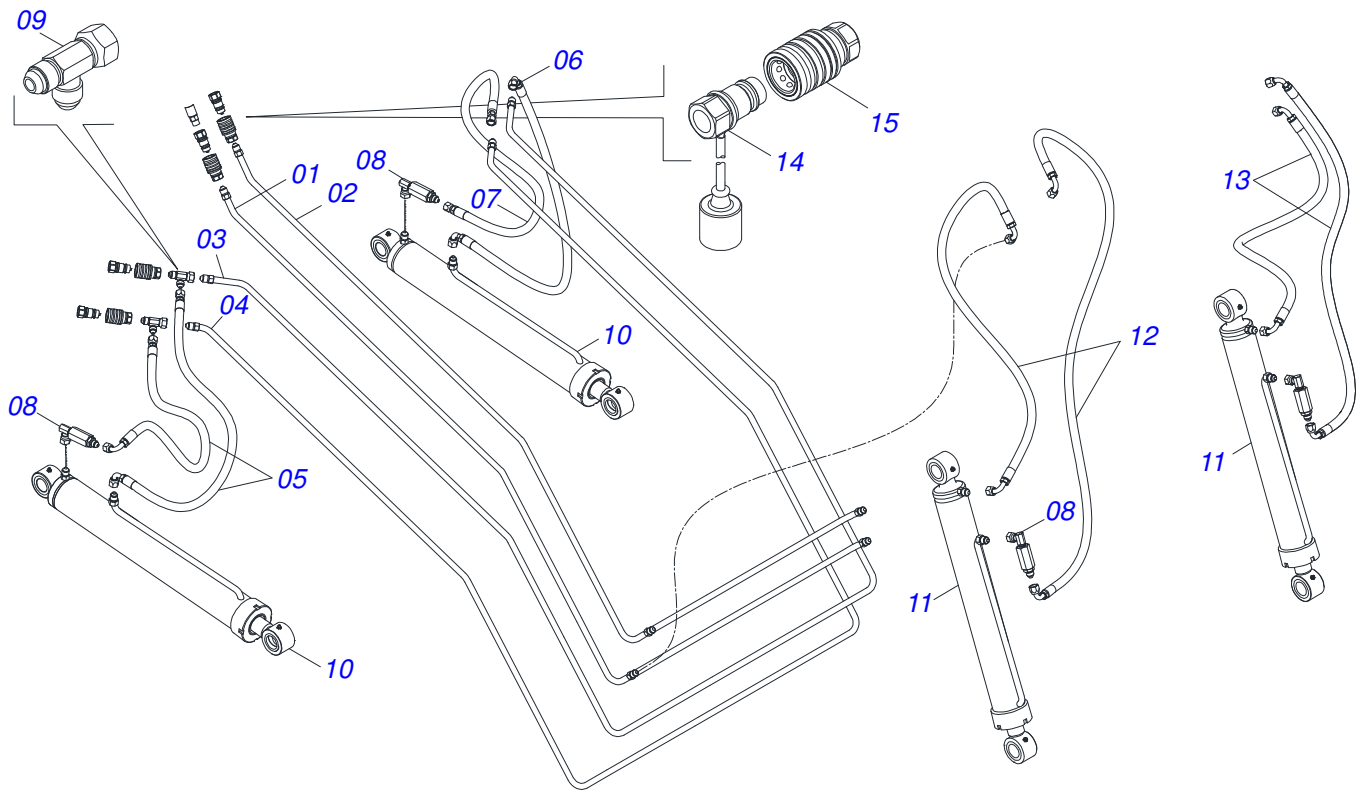
Item	Code	Description	See page	QT
01	0521060455	RIGHT FRAME		01
02	0521060085	LEFT FRAME		01
03	0502012472	MOBILE TOWER		01
04	0502012473	LEFT MOBILE TOWER		01
05	0511047399	1.1/4" X 40" ROD		01
05A	0561010598	1.1/4 UNC 7FPP X 1140 ROD		01
05B	0501810087	NUT - 1.1/4 UNC 7FPP (SEXT.2) SA		04
06	0521012870	1.46" X 6.18" PIVOT SHAFT		02
07	0511019685	FLAT WASHER		04
08	0503010534	3/8 X 2-1/2 COTTERPIN		04
09	0503010002	1800 GREASE FITTING		02
10	0521012869	COUPLING SHAFT		02
11	0511064410	1.5" X 8.1" COUPLING SHAFT		02
12	0503030430	7/16 X 2" PIN LOCK		02
13	0561010484	FRAME BAR CHOCK		04
14	0503013112	M20 X 2,5 X 70 BOLT		08
15	0503010023	SPRING WASHER		10
16	0521060106	FRAME FIXER SUPORT		01
17	0501010125	3/4" X 2-1/2" BOLT		04
18	0501010322	FLAT WASHER		04
19	0503010023	SPRING WASHER		04
20	0503010014	3/4" NUT		04
21	0501010064	1" X 9" BOLT		02
22	0501010066	3/4" X 9" BOLT		02
23	0501068213	5/8" WRENCH DOUBLE		01
24	0501061617	1" GANG BOLT WRENCH		01



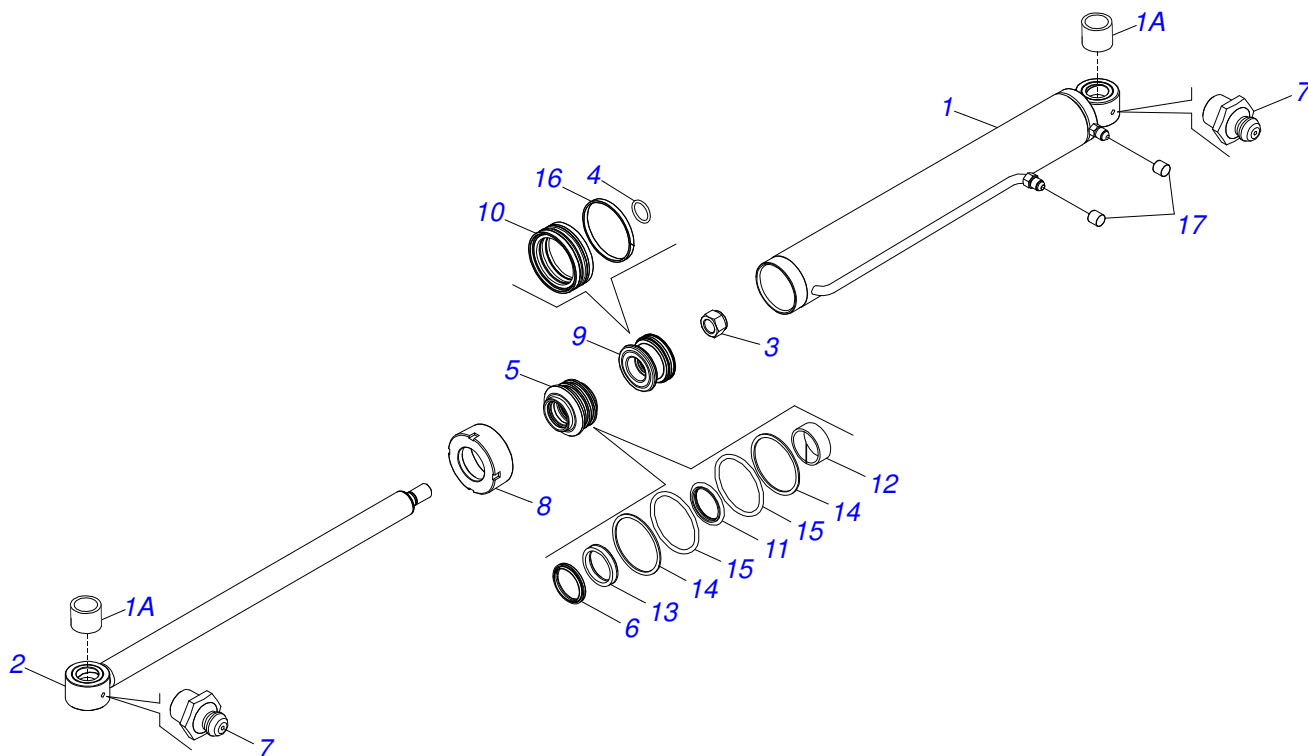
Item	Code	Description	See page	QT
01	0511066050	MOBILE SUPPORT	01	
02	0521012870	1.46" X 6.18" PIVOT SHAFT	06	
03	0511019685	FLAT WASHER	04	
04	0503010534	3/8 X 2-1/2 COTTERPIN	10	
05	0511013598	3/4" X 4.7" COUPLING SHAFT	02	
06	0511019685	FLAT WASHER	02	
07	0503010002	1800 GREASE FITTING	04	
08	0521012869	COUPLING SHAFT	02	
09	0501069939	PIVOT SUPPORT	01	
10	0501110286	SLEEVE	04	
11	0503010071	3/16" X 1" COTTERPIN	08	
12	0521012823	COUPLING SHAFT	02	
13	0503014378	1/2" X 1-1/2" BOLT	02	
14	0502010477	UPPER CLIP	17	
15	0503010180	7/16" SPRING WASHER	05	
16	0503012555	7/16" X 2" BOLT	03	
17	0511019634	CONTROL LOCK	02	
18	0561016401	PLOUGH SUPPORT BODY	02	
19	0561016619	COMPLEMENTON REST	02	
20	0561016329	LATCH HOLDER REST PCA	04	
21	0511017302	FLAT WASHER	08	
22	0531011180	UPPER BODY CLIP	06	
23	0503011102	PARAFUSO 7/16 UNC X 1.1/4 C S G.5	02	



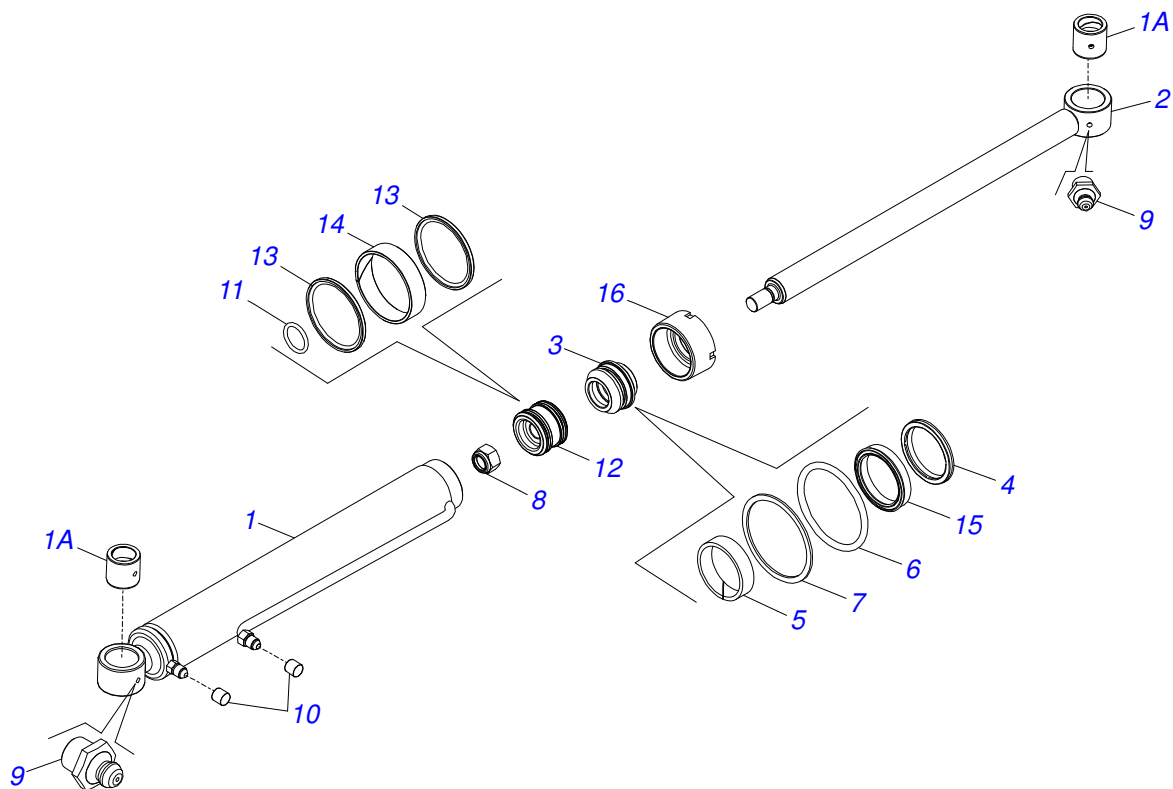
Item	Code	Description	See page	QT
01	0622360016	94.5" SCRAPER REVERSIBLE		01
02	0501069112	2400MM DOZER BLADE		01
03	0501812240	BOLT		08
04	0501812140	FLAT WASHER		08
05	0503011445	SPRING WASHER		08
06	0503810013	NUT 5/8 NC		08
07	0503034003	ALUMINUM IDENTIFICATION LABEL		01
08	0503010001	RIVET POP		04



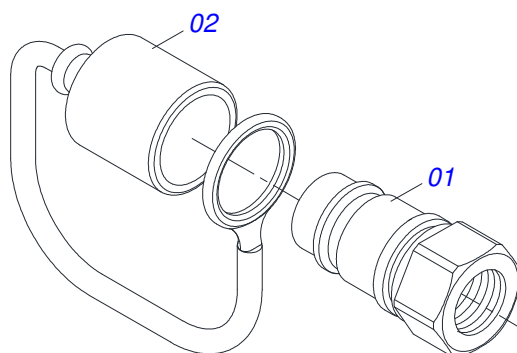
Item	Code	Description	See page	QT
01	0501069857	RIGHT RIGHT OIL TUBE		01
02	0501069858	LH RIGHT OIL TUBE		01
03	0521061821	OUTER DISTRIBUTOR TUBE OIL		01
04	0521061820	INNER DISTRIBUTOR TUBE OIL		01
05	0501080150	TR-TC HOSE ASSY		02
06	0501080766	3/8" X 27.56" TC-TC HOSE		01
07	0501080105	TR-TR HOSE ASSY		01
08	0511057772	SECURITY VALVE SET		04
09	0503011968	T ADAPTOR WITH GIRAT		02
10	0511057974	44,45 X 85,72 X 870 X 593 HYDRAULIC CYLINDER	6	02
11	0511057973	HIDRAULIC CYLINDER 44,45 X 76,20 X 820 X 551	7	02
12	0501080688	3/8" X 25" TC-TC 90G HOSE		02
13	0501080777	LH 3/8" X 25.9" TC-TC HOSE		02
14	0501053834	MALE QUICK COUPLING AGRICULTURAL WITH COVER - 1/2 NPT	8	04
15	0501053835	FEMALE QUICK COUPLER	9	04



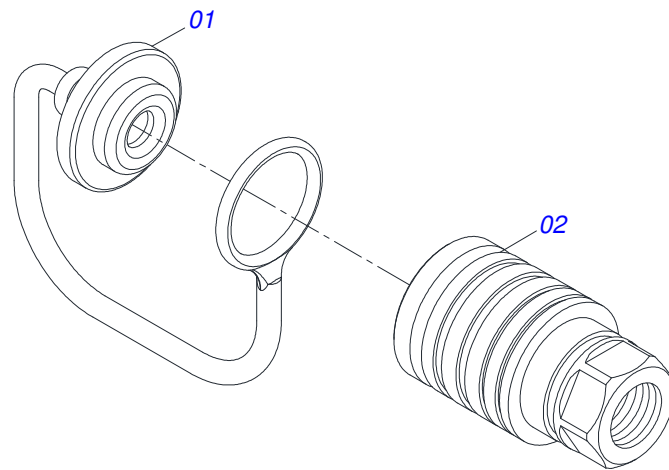
Item	Code	Description	See page	QT
01	0511069198	BODY SHIRT WITH MAKING		01
01A	0521010514	38,1 X 52,9 X 50 SLEEVE INTER		02
02	0521066404	44,45 X 772 TURNBUCKLE		01
03	0503010063	1" SELF-ALIGNING NUT		01
04	0503010042	2-214 N 3006-9B O'RING		01
05	0571019711	RING SUPPORT		01
06	0503010761	D-1750 SCRAPER RING		01
07	0503010002	1800 GREASE FITTING		02
08	0571019709	DETACHABLE COVER		01
09	0571019710	1.7" X 3.4" PISTON		01
10	0503017935	RING		01
11	0503017936	RING		01
12	0503017938	RING GUIDE		01
13	0503017937	GASKET		01
14	0503017940	8-337 BACK-UP RING		02
15	0503017939	2-337 N 3006-9B O' RING		02
16	0503018144	RING		01
17	0503030385	CYLINDER PLUG N-002		02



Item	Code	Description	See page	QT
01	0521066381	CYLINDER CASE 76,20 X 723		01
01A	0501110275	BUSHING COUPLING 75 X 38,1 X 50		02
02	0511065578	1.7" X 28.18" TURNBUCLE		01
03	0502012264	RING SUPPORT 1.75" X 3"		01
04	0503010761	D-1750 SCRAPER RING		01
05	0503010949	W2-2000-500 PK RING G.E		01
06	0503010343	2-334 N 3006-9B O'RING		01
07	0503011059	8-334 BACK-UP RING		01
08	0503010063	1" SELF-ALIGNING NUT		01
09	0503010002	1800 GREASE FITTING		02
10	0503030385	CYLINDER PLUG N-002		02
11	0503010042	2-214 N 3006-9B O'RING		01
12	0581010304	PISTON		01
13	0503018138	RING BS		02
14	0503018140	RING GUIDE		01
15	0503017937	GASKET		01
16	0502011899	MOBILE COVER		01



Item	Code	Description	See page	QT
01	0503011627	QUICK CONNECTION (MALE) AGR 1/2 NPT		01
02	0503011882	QUICK CONNECTION COVER		01



Item	Code	Description	See page	QT
01	0503011883	QUICK CONNECTION COVER		01
02	0503011628	FEMALE QUICK COUPLER		01



MARCHESAN IMPLEMENTOS E MÁQUINAS AGRÍCOLAS TATU S.A.

AV. Marchesan, 1979 - Post office box, 131 - CEP 15994-900 - Matão - SP - Brazil

Phone +55 16.3382-8282

(FAX Parts) + 55 16.3382. 8297 - (Export) + 55 16.3382.1003

e.mail: tatu@marchesan.com.br www.marchesan.com.br

Technical Publications: Elaboration

MARINA PEREZ NIZA

Technical Publications: Revision

JOSÉ DOMINGOS GASPARI

Contact Catálogo:

E-mail = jgaspari@marchesan.com.br

**ORIGINAL PARTS
TATU**

