

# **PARTS CATALOG**

## **PCA - AGRICULTURAL FRONT LOADER**

**PCA 600 JD 54/5603/5078/85 BT CT GSA**

**Code: 0501092374**



**Series: S-0311**

**Rev.: 00**

**Date Rev.: FEVEREIRO/2019**

**ORIGINAL PARTS  
TATU**



# PRODUCTS

**Code**  
0106111571

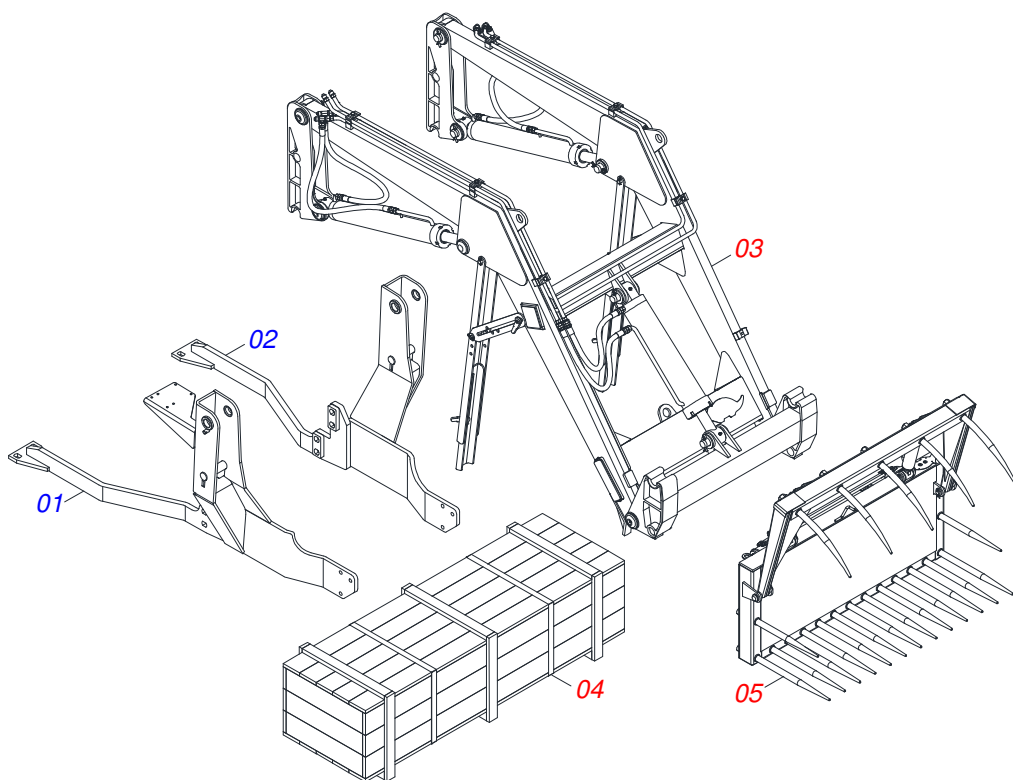
**Description**  
PCA 600 JD 54/5603/5078/85 BT CT GSA S-0311

**ATTENTION: *IMPORTANT***

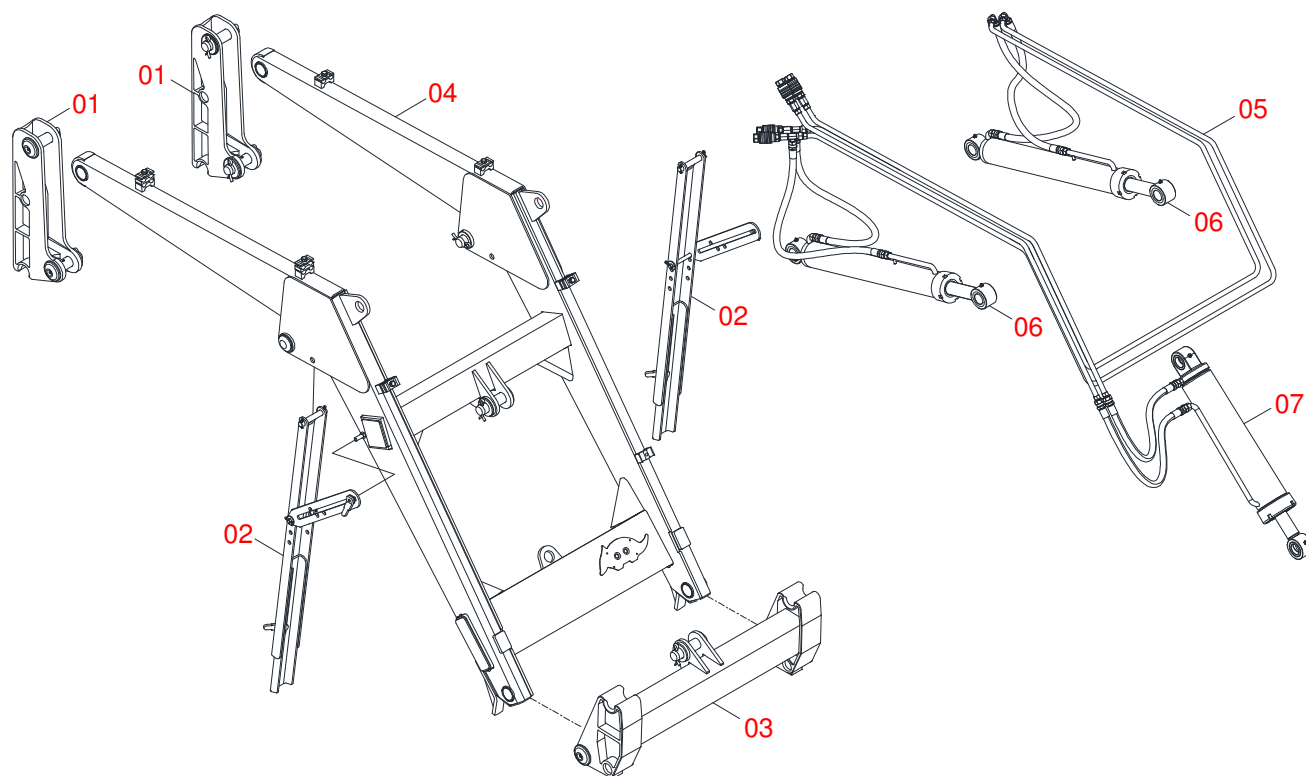
MARCHESAN S/A RESERVES THE RIGHT AT ANY TIME TO MAKE IMPROVEMENTS IN THE DESIGN, MATERIAL OR SPECIFICATIONS OF MACHINERY, EQUIPMENT OR PARTS WITHOUT THEREBY BECOMING LIABLE TO MAKE SIMILAR CHANGES IN MACHINERY, EQUIPMENT OR PARTS PREVIOUSLY SOLD.

# INDEX

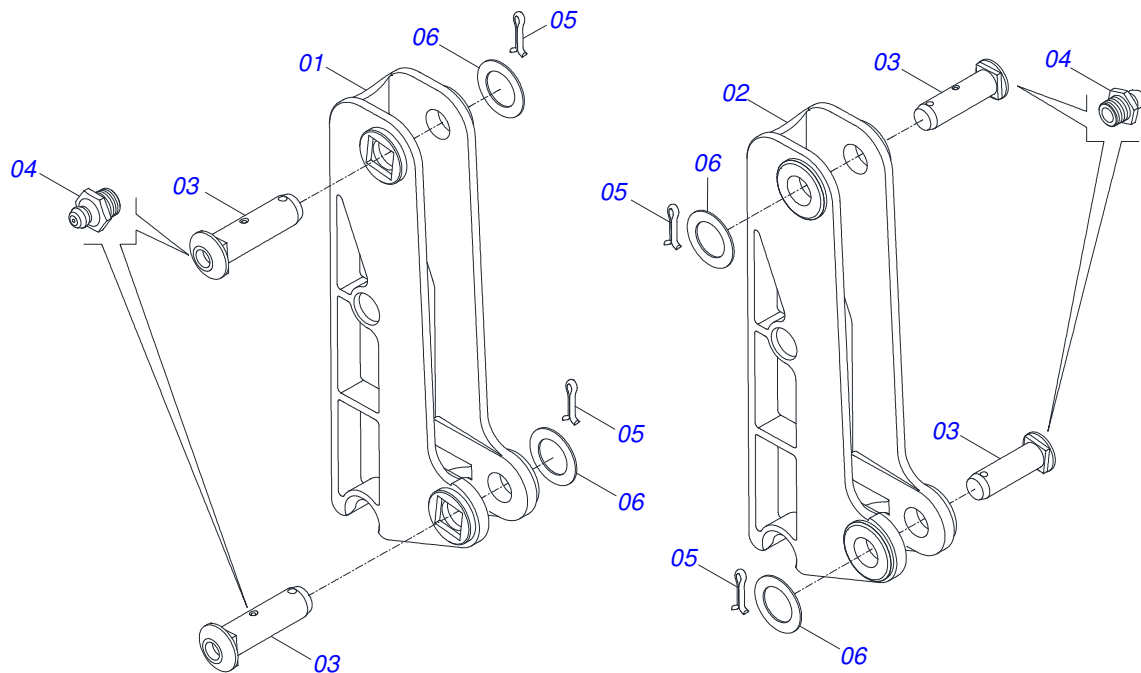
0106111571	PCA 600 JD 54/5603/5078/85 BT CT GSA S-0311	.....	1
0909095134	FULL MOVABLE STAND	.....	2
0909094279	MOVEL TOWER AND COMPONENTS - PCA 600	.....	3
0909092667	ADJUSTABLE REST OF MOVABLE SUPPORT	.....	4
0909094826	ARTICULATOR SUPPORT AND COMPONENTS	.....	5
0909095004	MOBILE STAND AND COMPONENTS	.....	6
0909095120	HIDRAULIC SYSTEM OF THE MOBILLE SUPPORT	.....	7
0909095122	GSA	.....	8
0909095121	HYDRAULIC SYSTEM	.....	9
0521050762	44,45 X 76,20 X 865 X 555 HYDRAULIC CYLINDER	.....	10
0511057915	44,45 X 101,60 X 702 X 738 HIDRAULIC CYLINDER	.....	11
0501053834	MALE QUICK COUPLING AGRICULTURAL WITH COVER - 1/2 NPT	.....	12
0501053835	FEMALE QUICK COUPLER	.....	13
0521041523	TRIPLE COMMAND	.....	14
0511027862	BOX WITH COMPONENTS	.....	15
0511047872	COMPLETE 3/8" COMMAND LEVER	.....	16
0511058513	HOSE KIT	.....	17
0501039712	PACKAGED PARTS	.....	18



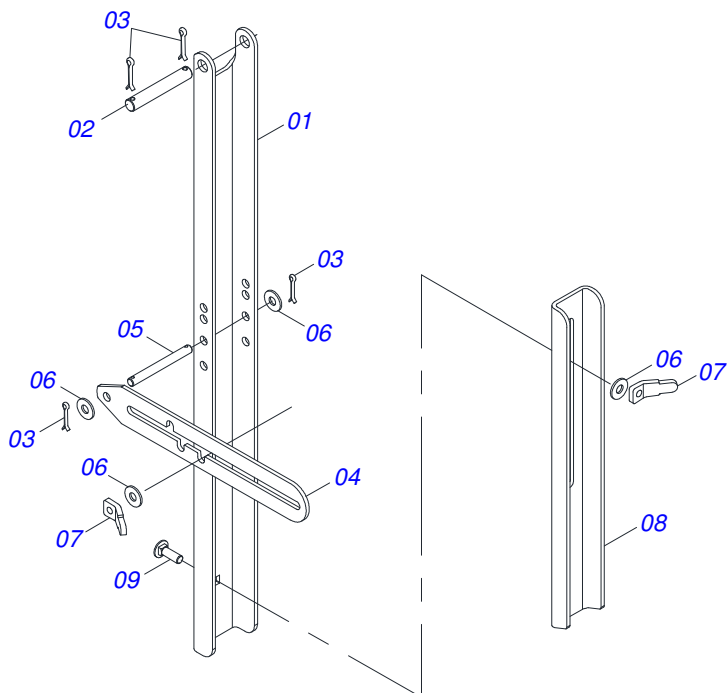
Item	Code	Description	QT
001	0521062043	RIGHT FRAME - PCA 600 JD 5085E BT CD	01
002	0521062042	LEFT FRAME PCA 600 JD	01
003	0909095134	FULL MOVABLE STAND	01
004	0511027862	BOX WITH COMPONENTS	01
005	0521041522	GSA 600(1640)	01



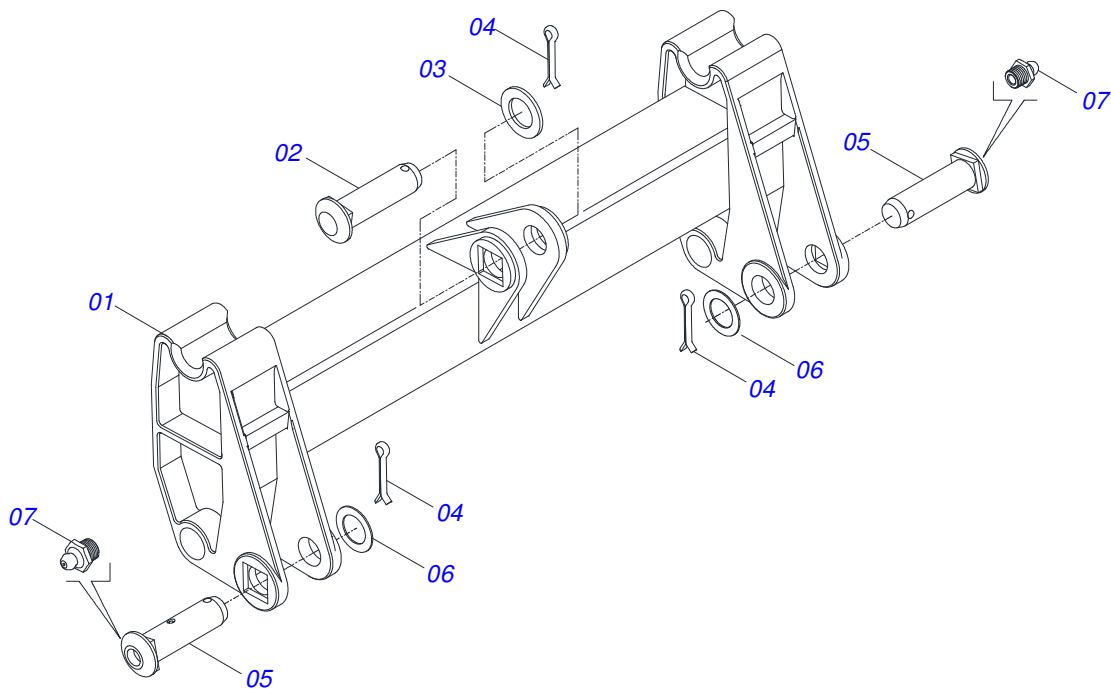
Item	Code	Description	QT
01	0909094279	MOVEL TOWER AND COMPONENTS - PCA 600	02
02	0909092667	ADJUSTABLE REST OF MOVABLE SUPPORT	02
03	0909094826	ARTICULATOR SUPPORT AND COMPONENTS	01
04	0909095004	MOBILE STAND AND COMPONENTS	01
05	0909095120	HIDRAULIC SYSTEM OF THE MOBILLE SUPPORT	01
06	0521050762	44,45 X 76,20 X 865 X 555 HYDRAULIC CYLINDER	02
07	0511057915	44,45 X 101,60 X 702 X 738 HIDRAULIC CYLINDER	01



Item	Code	Description	QT
01	0502012382	RIGHT MOBILE TOWER	01
02	0502012381	LEFT MOBILE TOWER	01
03	0511019519	1.5" X 1.4" PIVOT SHAFT	04
04	0503010002	1800 GREASE FITTING	04
05	0503010534	3/8 X 2-1/2 COTTERPIN	04
06	0511819685	FLAT WASHER	04

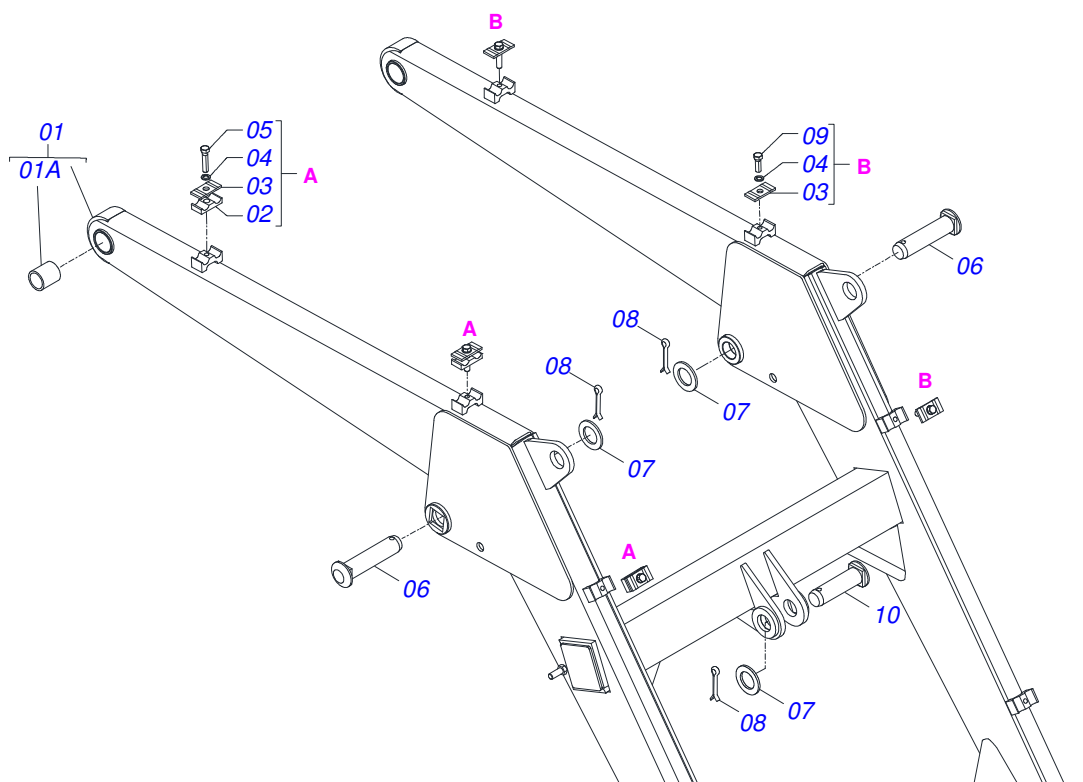


Item	Code	Description	QT
01	0561016401	PLOUGH SUPPORT BODY	02
02	0511013598	3/4" X 4.7" COUPLING SHAFT	02
03	0503010071	3/16" X 1" COTTERPIN	08
04	0511019634	CONTROL LOCK	02
05	0521012823	COUPLING SHAFT	02
06	0511017302	FLAT WASHER	08
07	0561016329	LATCH HOLDER REST PCA	04
08	0561016619	COMPLEMENTON REST	02
09	0503014378	1/2" X 1-1/2" BOLT	02

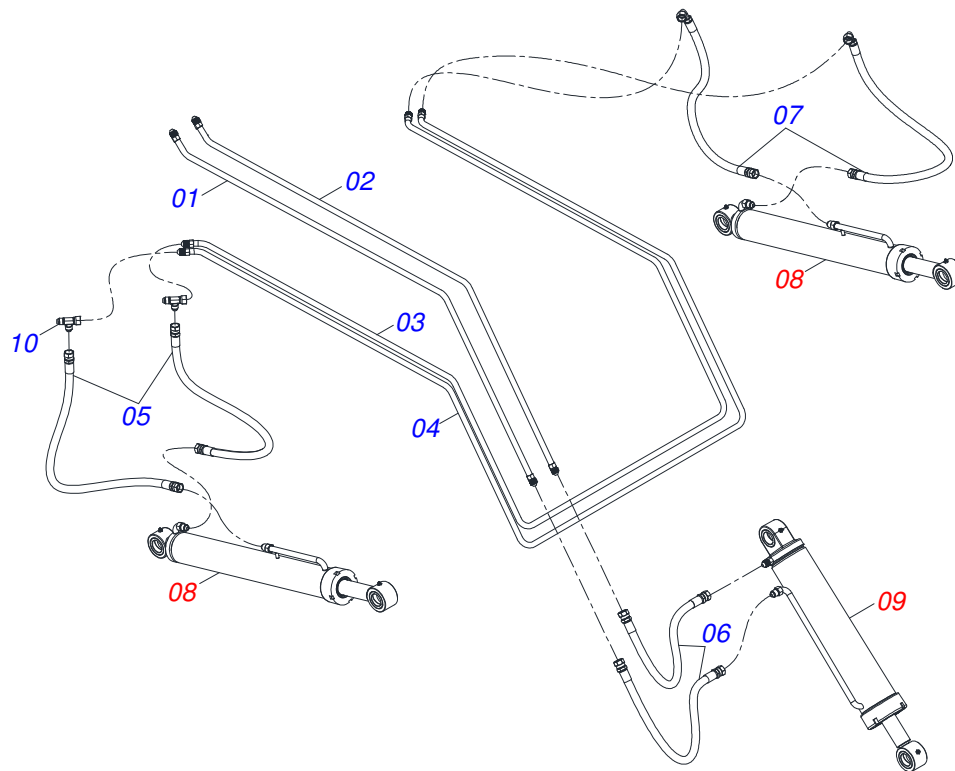


Item	Code	Description	QT
01	0501069934	ARTÍCULOS SOPORTE PCA 600 AX 5.80-4	01
02	0521010904	1.5" X 1.4" PIVOT SHAFT	01
03	0501012916	FLAT WASHER 38,50 X 66 X 4,75 ZN	01
04	0503010534	3/8 X 2-1/2 COTTERPIN	03
05	0511019519	1.5" X 1.4" PIVOT SHAFT	02
06	0511019685	FLAT WASHER	02
07	0503010002	1800 GREASE FITTING	02

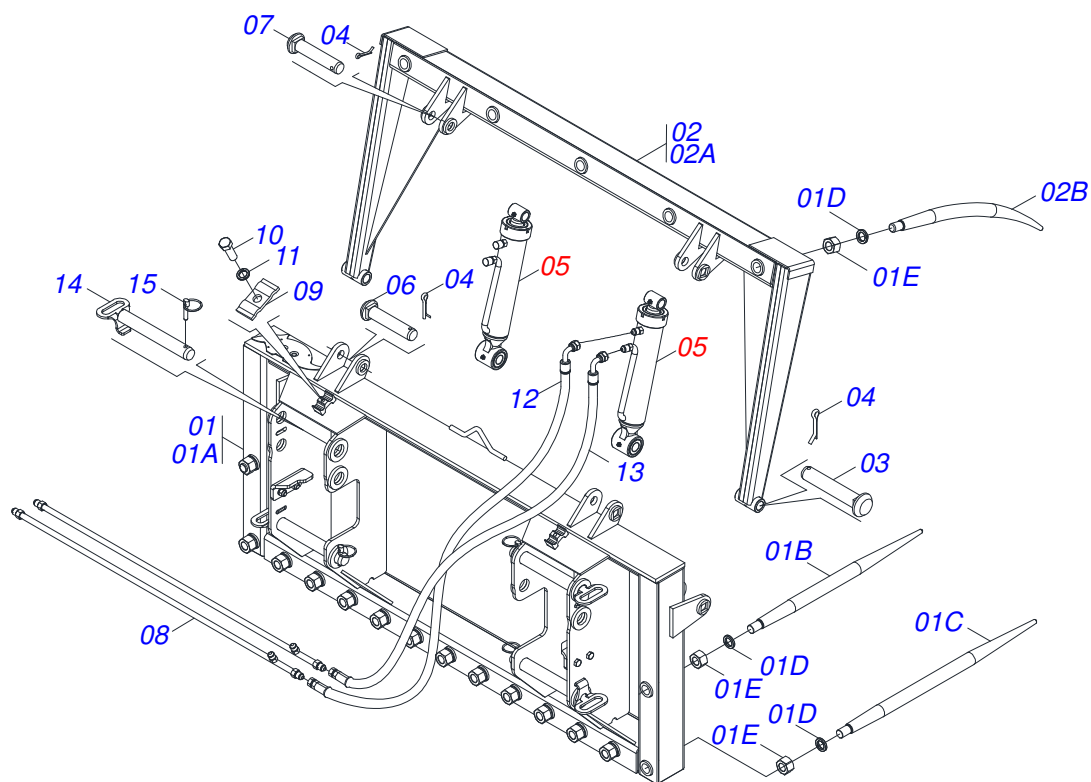




Item	Code	Description	QT
01	0521061958	MOBILE SUPPORT	01
01A	0501110253	BUSHING 37,70 X 55 X 70 PCA	04
02	0502010477	UPPER CLIP	03
03	0531011180	UPPER BODY CLIP	06
04	0503010180	7/16" SPRING WASHER	06
05	0503012555	7/16" X 2" BOLT	03
06	0511019521	1.5" X 1.4" PIVOT SHAFT	02
07	0511019685	FLAT WASHER	03
08	0503010534	3/8 X 2-1/2 COTTERPIN	03
09	0503011102	PARAFUSO 7/16 UNC X 1.1/4 C S G.5	03
10	0521010904	1.5" X 1.4" PIVOT SHAFT	01

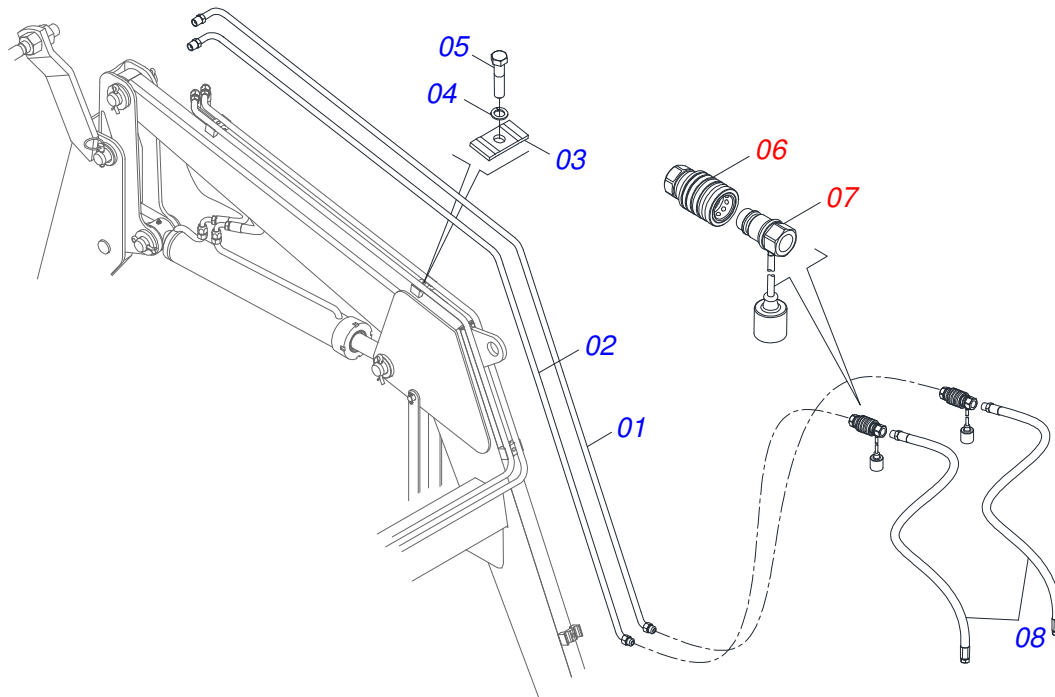


Item	Code	Description	QT
01	0521062856	INTERNAL LOWER OIL DISTRIBUTOR	01
02	0501068615	OIL TUBE ASSY	01
03	0501068621	INNER OIL TUBE	01
04	0501068622	OUTER OIL TUBE	01
05	0501080105	TR-TR HOSE ASSY	02
06	0501080635	3/8" X 19" TR-TR HOSE	02
07	0501080413	3/8" X 27" TR-TC HOSE ASSY	02
08	0521050762	44,45 X 76,20 X 865 X 555 HYDRAULIC CYLINDER	02
09	0511057915	44,45 X 101,60 X 702 X 738 HIDRAULIC CYLINDER	01
10	0503011968	T ADAPTOR WITH GIRAT	02

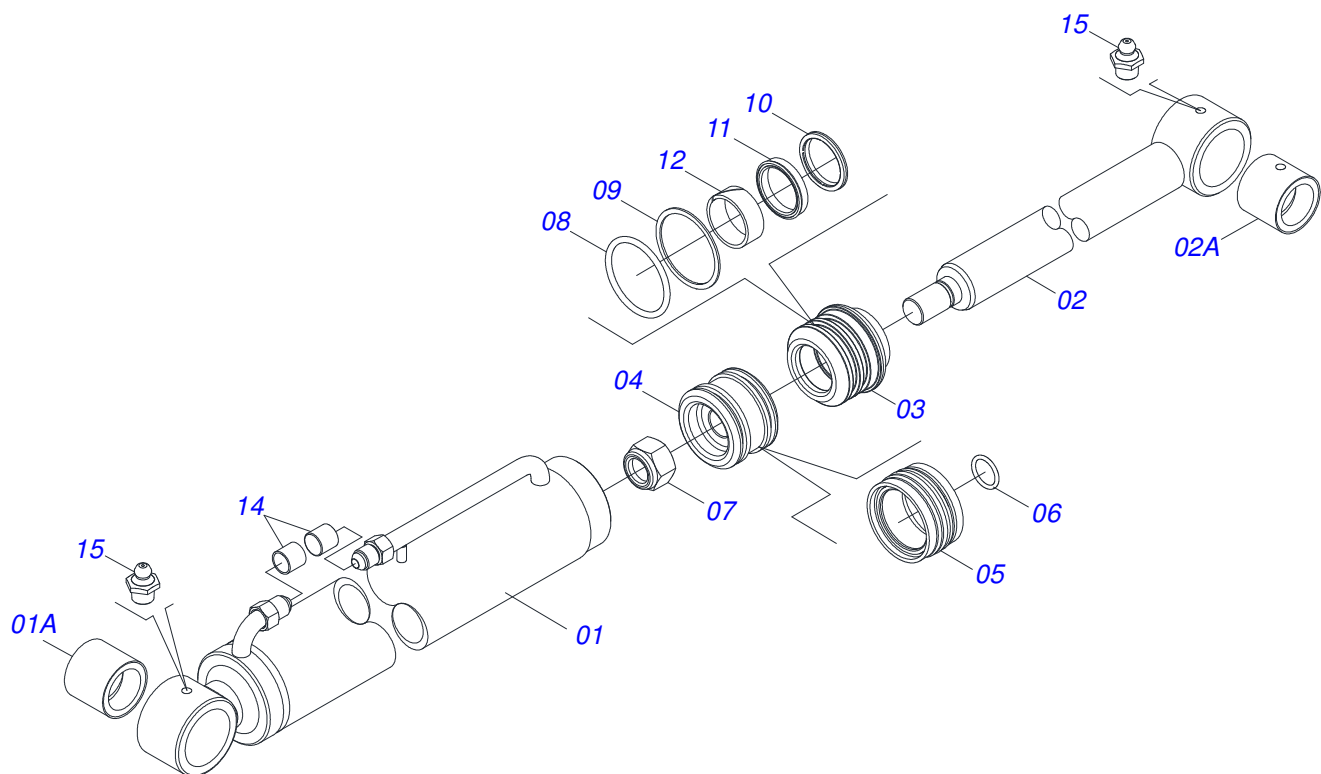


Item	Code	Description	QT
00	0521041522	GSA 600(1640)	01
00A	0501047647	SILAGE FORK FARM 600 (1640)	01
00B	0521040988	GSA (SEMI MOUNTED)	01
01	0501051502	FIXED FRAME WITH TEETH	01
01A	0501068609	FIXED FRAME	01
01B	0541014900	1-1/2" X 26" STRAIGHT TEETH	02
01C	0541014899	1-1/2" X 30" STRAIGHT TEETH	13
01D	0503011438	SPRING WASHER	20
01E	0503010340	1" NUT	20
02	0501051503	MOBILE FRAME WITH TEETH	01
02A	0501068610	MOBILE FRAME	01
02B	0541014802	1-1/2" X 26" BENT TOOTH	05
03	0511019623	0.9" X 5.4" COUPLING SHAFT	02
04	0503010571	1/4" X 1.1/2 COTTERPIN	06
05	0511058444	HYDRAULIC CYLINDER	02
06	0541014926	0.9" X 4.0" COUPLING SHAFT	02
07	0541014925	1" X 5" COUPLING SHAFT	02
08	0501068686	OIL TUBE	02
09	0503011180	UPPER CLAMP BODY	05
10	0503012561	7/16" X 1-1/4" BOLT	03
11	0503010180	7/16" SPRING WASHER	13
12	0501080599	3/8 X 650 TC-TR HOSE	02
13	0501080328	3/8" X 29" TR-TC HOSE	02
14	0511060428	DRAWBOLT	04
15	0503030430	7/16 X 2" PIN LOCK	04

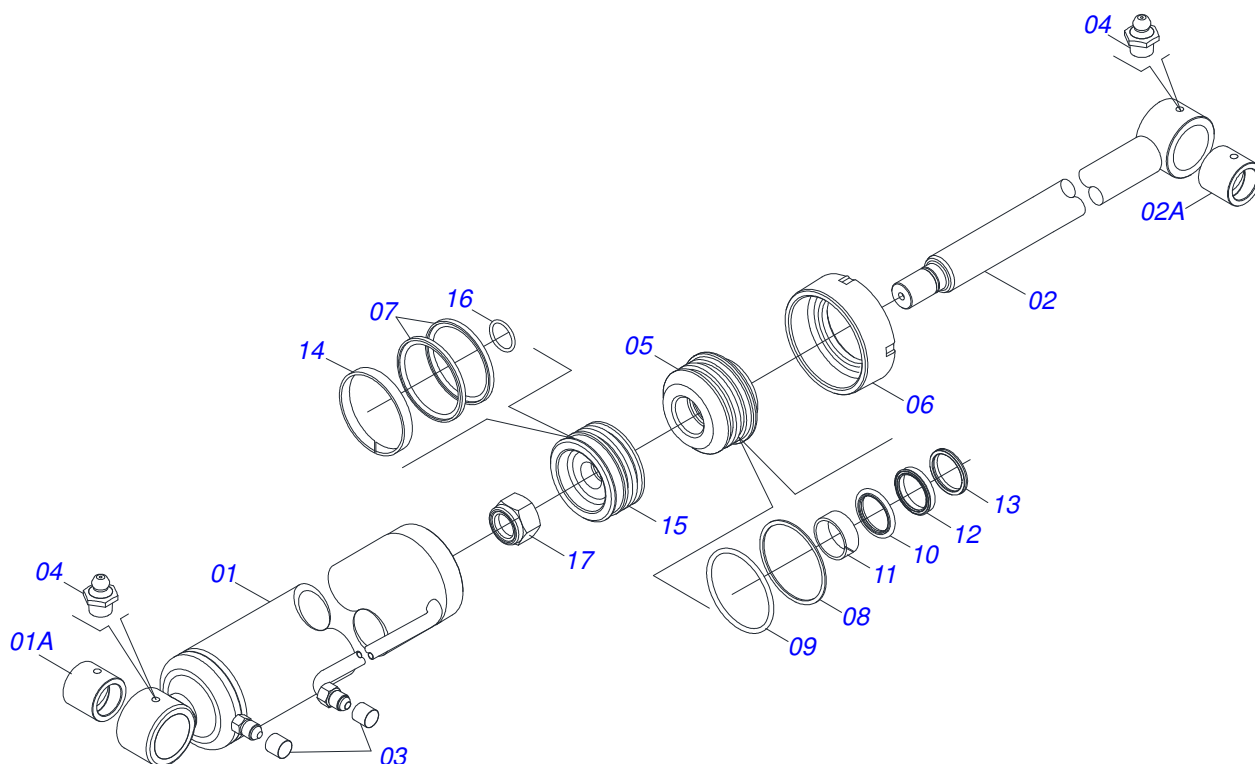
HYDRAULIC SYSTEM



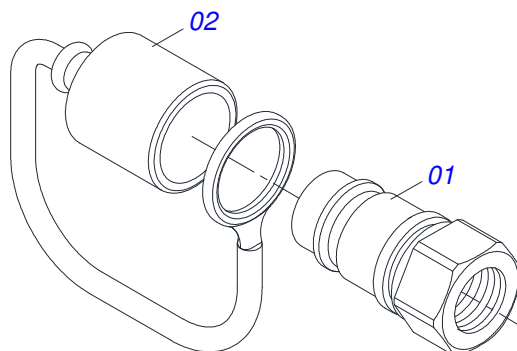
Item	Code	Description	QT
01	0501068549	RIGHT OIL TUBE	01
02	0501068679	LEFT OIL TUBE	01
03	0531011180	UPPER BODY CLIP	04
04	0503010180	7/16" SPRING WASHER	04
05	0503012555	7/16" X 2" BOLT	04
06	0501053835	FEMALE QUICK COUPLER	02
07	0501053834	MALE QUICK COUPLING AGRICULTURAL WITH COVER - 1/2 NPT	02
08	0501080363	3/8" X 177" TR-TM HOSE ASSY	02



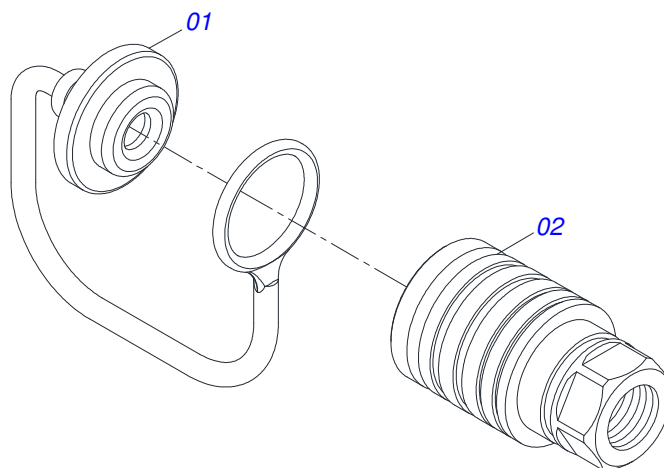
Item	Code	Description	QT
01	0511071163	76,20 X 740 CYLINDER CASE - PCA 600	01
01A	0521010514	38,1 X 52,9 X 50 SLEEVE INTER	01
02	0521066424	AIR TURNBUCKLE	01
02A	0521010514	38,1 X 52,9 X 50 SLEEVE INTER	01
03	0581010301	RING SUPPORT	01
04	0581010304	PISTON	01
05	0503018136	ZW 007600260 AGEL RING	01
06	0503010042	2-214 N 3006-9B O'RING	01
07	0503010063	1" SELF-ALIGNING NUT	01
08	0503010343	2-334 N 3006-9B O'RING	02
09	0503011059	8-334 BACK-UP RING	02
10	0503010761	D-1750 SCRAPER RING	01
11	0503017937	GASKET	01
12	0503017938	RING GUIDE	01
13	0502011899	MOBILE COVER	01
14	0503030385	CYLINDER PLUG N-002	02
15	0503010002	1800 GREASE FITTING	02



Item	Code	Description	QT
01	0511066339	101,6 X 548 CYLINDER CASE - PCA 600	01
01A	0521010514	38,1 X 52,9 X 50 SLEEVE INTER	01
02	0521066430	44,45 X 630 EXTENDER - PCA 600	01
02A	0521010514	38,1 X 52,9 X 50 SLEEVE INTER	01
03	0503030385	CYLINDER PLUG N-002	02
04	0503010002	1800 GREASE FITTING	02
05	0581010302	RING OF SUPPORT	01
06	0502012822	101,60 MOBILE COVER	01
07	0503018158	OE 101605200211D-BR RING BS	02
08	0503011061	8-342 BACK-UP RING	02
09	0503010338	2-342 N 3006-9B O'RING	02
10	0503017936	RING	01
11	0503017938	RING GUIDE	01
12	0503017937	GASKET	01
13	0503010761	D-1750 SCRAPER RING	01
14	0503010994	W2-4000-500 PK RING G.E	01
15	0581010303	PISTON 4 - PCA 600	01
16	0503018029	2-217 O'RING	01
17	0503010817	1-1/4" SELF-ADJUSTING NUT	01



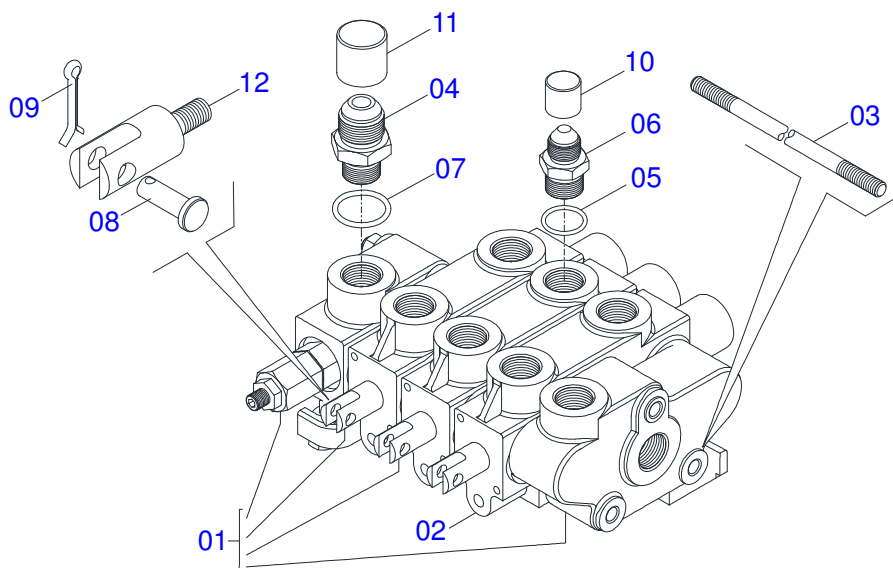
Item	Code	Description	QT
01	0503011627	QUICK CONNECTION (MALE) AGR 1/2 NPT	01
02	0503011882	QUICK CONNECTION COVER	01



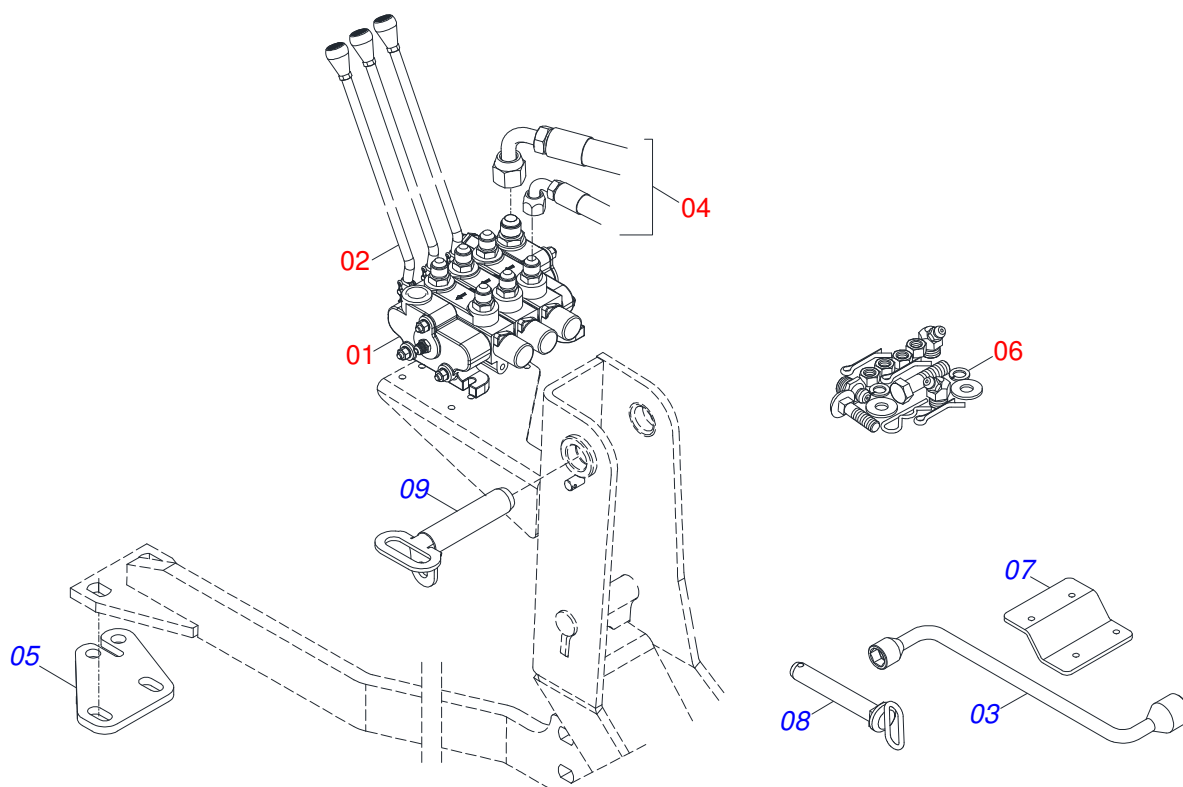
Item	Code	Description	QT
01	0503011883	QUICK CONNECTION COVER	01
02	0503011628	FEMALE QUICK COUPLER	01



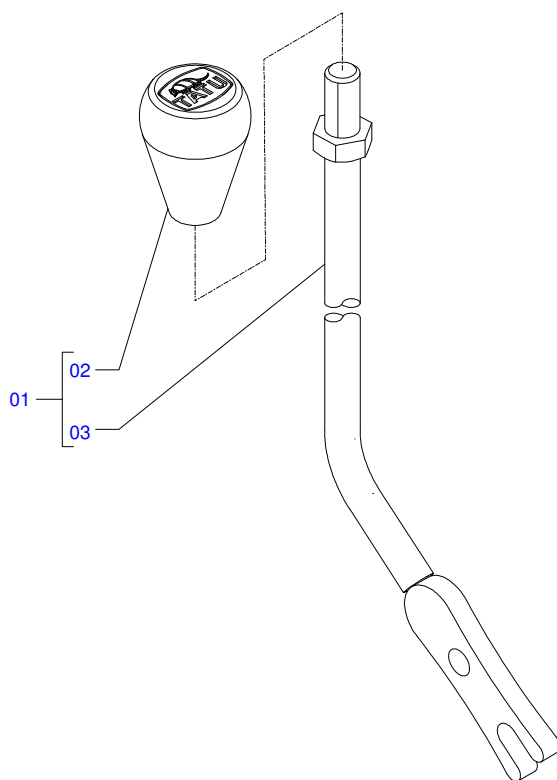
TRIPLE COMMAND



Item	Code	Description	QT
01	0503061820	DOUBLE COMMAND - SAUER 603869	01
02	0503010506	3/8" CENTER BODY	01
03	0521014825	5/16 UNC X 5/16 UNC X 200 PRISONER	03
04	0501010590	7/8" REDUCTION NIPPLE	03
05	0503010045	2-116 N 3006-9B O'RING	06
06	0501010617	3/4" NIPPLE	06
07	0503010190	2-114 N 3006-9B O'RING	03
08	0521010532	0.3" X 0.9" COUPLING SHAFT	03
09	0503010140	1/8" X 3/4" COTTERPIN	03
10	0503030387	PLUG	06
11	0503030388	PLUG N-005	01
12	0503012763	LOWER LEVER	02

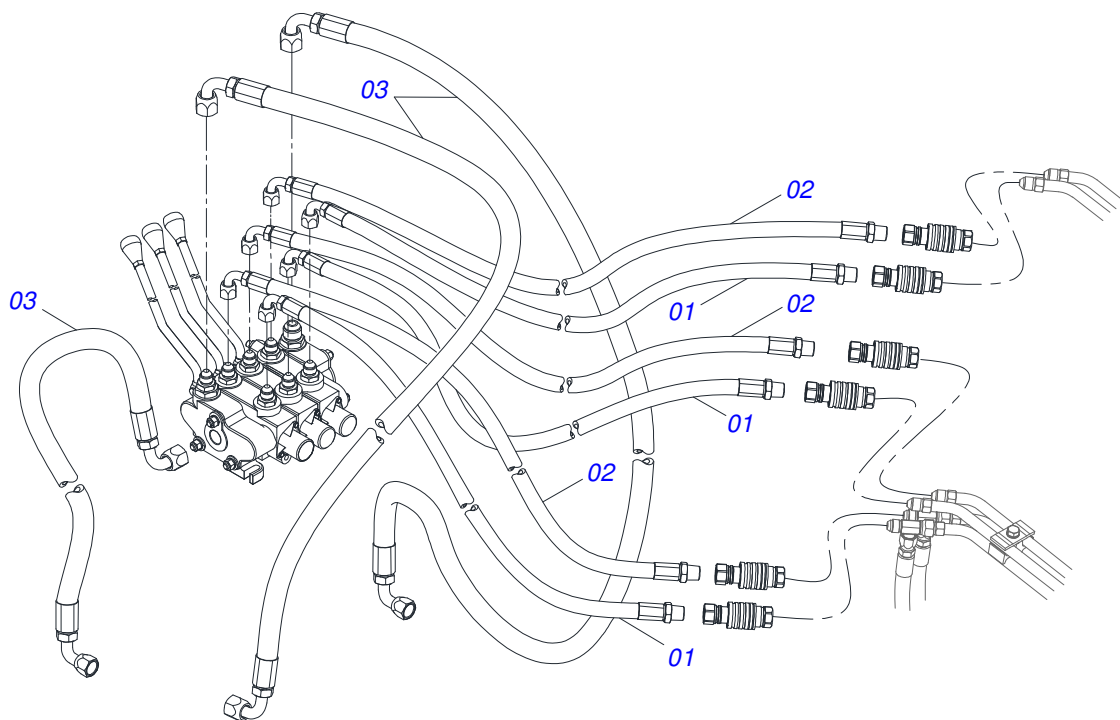


Item	Code	Description	QT
01	0521041523	TRIPLE COMMAND	01
02	0511047872	COMPLETE 3/8" COMMAND LEVER	03
03	0501068213	5/8" WRENCH DOUBLE	01
04	0511058513	HOSE KIT	01
05	0561017651	DIFFERENTIAL SHOE	02
06	0501039712	PACKAGED PARTS	01
07	0561017868	GLASS PROTECTION SUPPORT BRACKET	01
08	0521063680	HITCH PIN (185) SAB PCA800	02
09	0521061682	AXLE FIXER	02



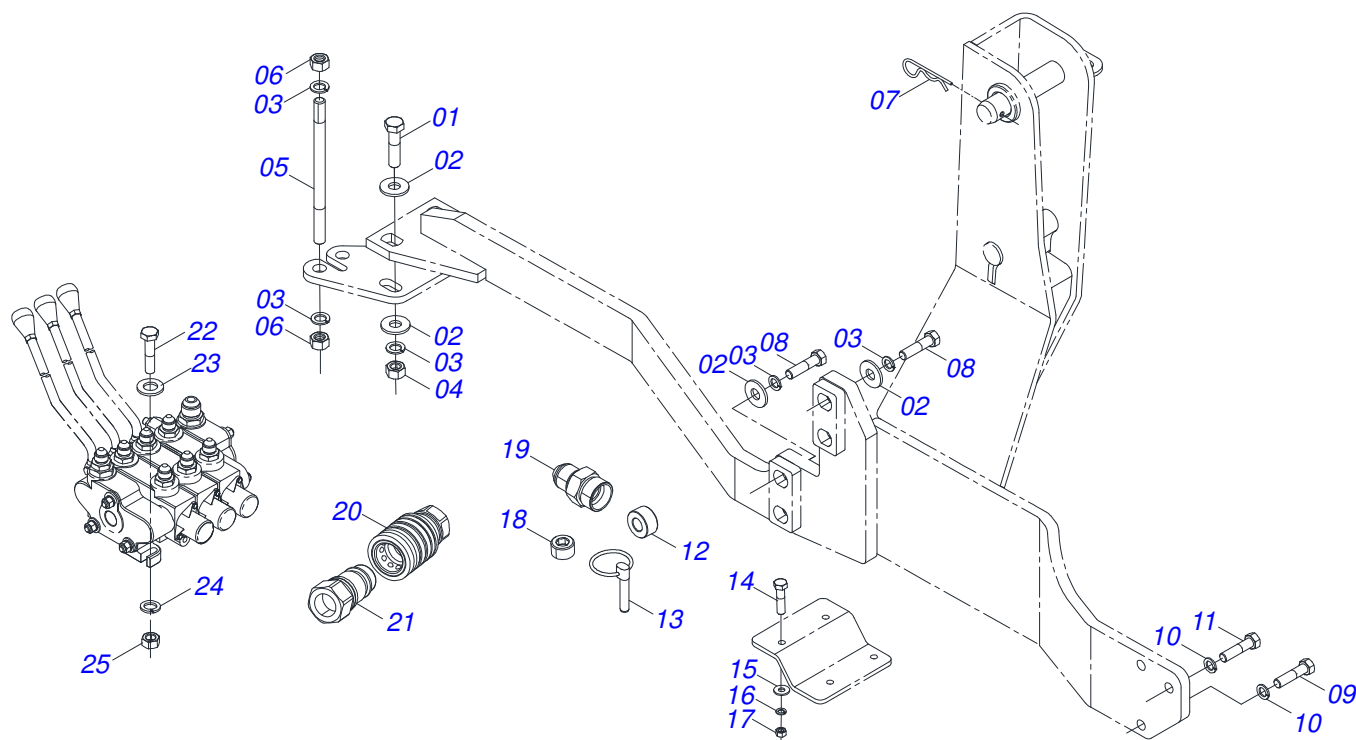
Item	Code	Description	QT
01	0511047872	COMPLETE 3/8" COMMAND LEVER	01
02	0503030878	LEVER CRANK	01
03	0521060682	CONTROL VALVE LEVER	01

HOSE KIT



Item	Code	Description	QT
001	0501080597	3/8" X 43" TC-TM HOSE	03
002	0501080523	3/8 X 1000 HOSE TC-TM	03
003	0501080273	1/2 X 2700 HOSE TC-TC	03

PACKAGED PARTS



Item	Code	Description	QT
01	0501010500	3/4"X3"BOLT	04
02	0501010322	FLAT WASHER	16
03	0503010023	SPRING WASHER	20
04	0503010014	3/4" NUT	06
05	0561017654	M20 X 2.5 X 270 THREADED ROD ZN	04
06	0503015985	M20 X 2.5 ZN HEXAGONAL NUT	08
07	0503030012	HAIR PIN	02
08	0503013104	M20 X 2,5 X 80 BOLT	08
09	0503011188	M16 X 2 X 50 BOLT	04
10	0503010027	SPRING WASHER	06
11	0503012573	M16 X 2 X 65 BOLT	02
12	0531016799	SLEEVE 34,93 X 16,50 X 20	02
13	0503030430	7/16 X 2" PIN LOCK	02
14	0503010371	5/16" X 1" BOLT	04
15	0501010694	FLAT WASHER	04
16	0503010179	SPRING WASHER	04
17	0503010337	5/16" NUT	04
18	0503010320	3/8 INTERNAL HEXAGON PLUG	01
19	0521010935	7/8 UNF NIPLE X M22 X 1,5 X 52	03
20	0501053835	FEMALE QUICK COUPLER	02
21	0501053834	MALE QUICK COUPLING AGRICULTURAL WITH COVER - 1/2 NPT	02
22	0501010080	3/8" BOLT	03
23	0501010984	FLAT WASHER	03
24	0503010025	3/8 SPRING WASHER	03
25	0503010026	3/8" NUT	03





**MARCHESAN IMPLEMENTOS E MÁQUINAS AGRÍCOLAS TATU S.A.**

AV. Marchesan, 1979 - Post office box, 131 - CEP 15994-900 - Matão - SP - Brazil

Phone +55 16.3382-8282

(FAX Parts) + 55 16.3382. 8297 - (Export) + 55 16.3382.1003

e.mail: [tatu@marchesan.com.br](mailto:tatu@marchesan.com.br) [www.marchesan.com.br](http://www.marchesan.com.br)

**Technical Publications: Elaboration**

MARINA PEREZ NIZA

**Technical Publications: Revision**

MARINA PEREZ NIZA

*Contact Catálogo:*

*E-mail = [jgaspari@marchesan.com.br](mailto:jgaspari@marchesan.com.br)*

**ORIGINAL PARTS  
TATU**

