

PARTS CATALOG

HINGE TYPE OFFSET DISK HARROW

GNF 48/52/56/60/64/68/72/76/80/84D - PA

Code: 0501092372



Series: S-0618

Rev.: 00

Date Rev.: NOVEMBRO/2018

**ORIGINAL PARTS
TATU**



PRODUCTS

Code	Description
0102180271	GNF 48 X 20 X 3,50 DM MT PA S-0618
0102180272	GNF 48 X 20 X 4,50 DM MT PA S-0618
0102180273	GNF 48 X 22 X 3,50 DM MT PA S-0618
0102180274	GNF 48 X 22 X 4,50 DM MT PA S-0618
0102180275	GNF 48 X 24 X 4,50 DM MT PA S-0618
0102180286	GNF 52 X 20 X 3,50 DM MT PA S-0618
0102180287	GNF 52 X 20 X 4,50 DM MT PA S-0618
0102180288	GNF 52 X 22 X 3,50 DM MT PA S-0618
0102180289	GNF 52 X 22 X 4,50 DM MT PA S-0618
0102180290	GNF 52 X 24 X 4,50 DM MT PA S-0618
0102180281	GNF 56 X 20 X 3,50 DM MT PA S-0618
0102180282	GNF 56 X 20 X 4,50 DM MT PA S-0618
0102180283	GNF 56 X 22 X 3,50 DM MT PA S-0618
0102180284	GNF 56 X 22 X 4,50 DM MT PA S-0618
0102180285	GNF 56 X 24 X 4,50 DM MT PA S-0618
0102180266	GNF 60 X 20 X 3,50 DM MT PA S-0618
0102180267	GNF 60 X 20 X 4,50 DM MT PA S-0618
0102180268	GNF 60 X 22 X 3,50 DM MT PA S-0618
0102180269	GNF 60 X 22 X 4,50 DM MT PA S-0618
0102180270	GNF 60 X 24 X 4,50 DM MT PA S-0618
0102180276	GNF 64 X 20 X 3,50 DM MT PA S-0618
0102180277	GNF 64 X 20 X 4,50 DM MT PA S-0618
0102180278	GNF 64 X 22 X 3,50 DM MT PA S-0618
0102180279	GNF 64 X 22 X 4,50 DM MT PA S-0618
0102180280	GNF 64 X 24 X 4,50 DM MT PA S-0618
0102180261	GNF 68 X 20 X 3,50 DM MT PA S-0618
0102180262	GNF 68 X 20 X 4,50 DM MT PA S-0618
0102180263	GNF 68 X 22 X 3,50 DM MT PA S-0618
0102180264	GNF 68 X 22 X 4,50 DM MT PA S-0618
0102180265	GNF 68 X 24 X 4,50 DM MT PA S-0618
0102180257	GNF 72 X 20 X 4,50 DM MT PA S-0618

ATTENTION: **IMPORTANT**

MARCHESAN S/A RESERVES THE RIGHT AT ANY TIME TO MAKE IMPROVEMENTS IN THE DESIGN, MATERIAL OR SPECIFICATIONS OF MACHINERY, EQUIPMENT OR PARTS WITHOUT THEREBY BECOMING LIABLE TO MAKE SIMILAR CHANGES IN MACHINERY, EQUIPMENT OR PARTS PREVIOUSLY SOLD.

PRODUCTS

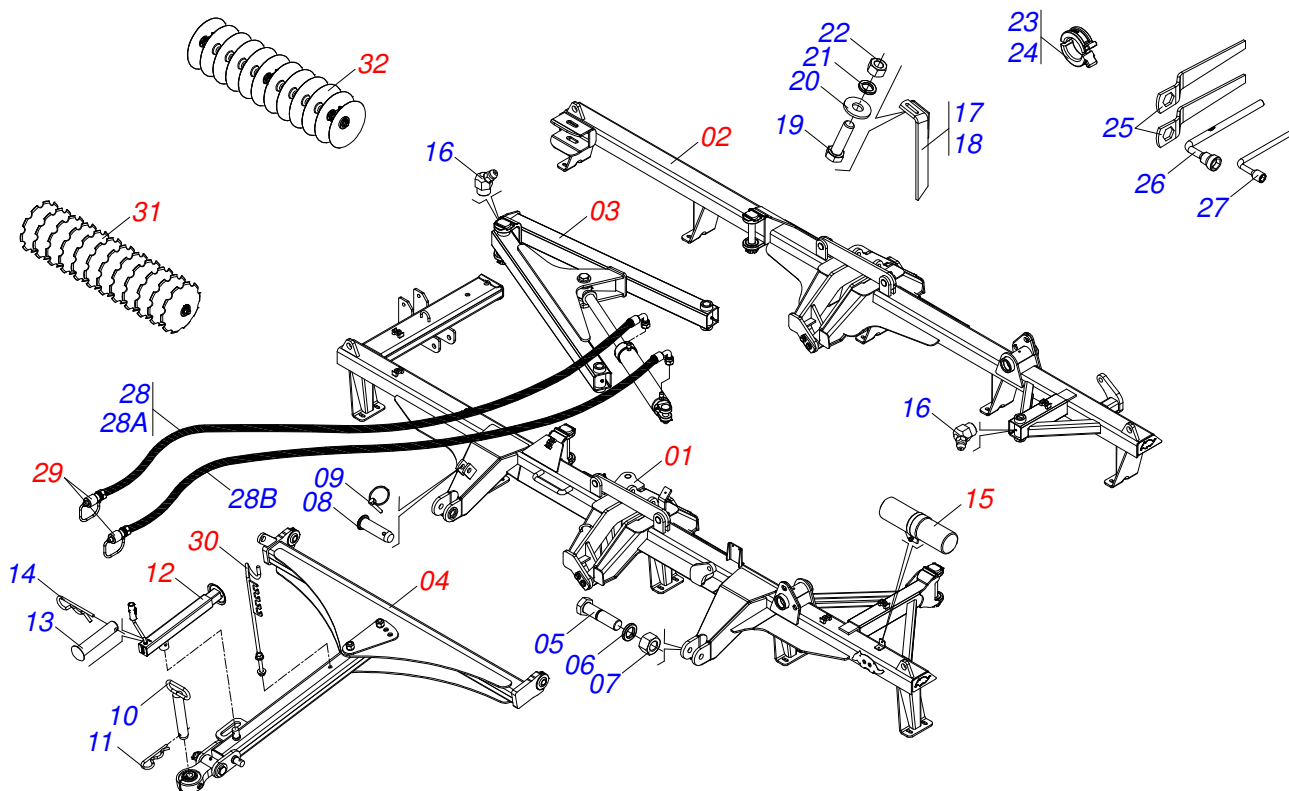
0102180258	GNF 72 X 22 X 3,50 DM MT PA S-0618
0102180259	GNF 72 X 22 X 4,50 DM MT PA S-0618
0102180260	GNF 72 X 24 X 4,50 DM MT PA S-0618
0102180301	GNF 76 X 20 X 3,50 DM MT PA S-0618
0102180302	GNF 76 X 20 X 4,50 DM MT PA S-0618
0102180303	GNF 76 X 22 X 3,50 DM MT PA S-0618
0102180304	GNF 76 X 22 X 4,50 DM MT PA S-0618
0102180305	GNF 76 X 24 X 4,50 DM MT PA S-0618
0102180296	GNF 80 X 20 X 3,50 DM MT PA S-0618
0102180297	GNF 80 X 20 X 4,50 DM MT PA S-0618
0102180298	GNF 80 X 22 X 3,50 DM MT PA S-0618
0102180299	GNF 80 X 22 X 4,50 DM MT PA S-0618
0102180300	GNF 80 X 24 X 4,50 DM MT PA S-0618
0102180291	GNF 84 X 20 X 3,50 DM MT PA S-0618
0102180292	GNF 84 X 20 X 4,50 DM MT PA S-0618
0102180293	GNF 84 X 22 X 3,50 DM MT PA S-0618
0102180294	GNF 84 X 22 X 4,50 DM MT PA S-0618
0102180295	GNF 84 X 24 X 4,50 DM MT PA S-0618

ATTENTION: **IMPORTANT**

MARCHESAN S/A RESERVES THE RIGHT AT ANY TIME TO MAKE IMPROVEMENTS IN THE DESIGN, MATERIAL OR SPECIFICATIONS OF MACHINERY, EQUIPMENT OR PARTS WITHOUT THEREBY BECOMING LIABLE TO MAKE SIMILAR CHANGES IN MACHINERY, EQUIPMENT OR PARTS PREVIOUSLY SOLD.

INDEX

0909094962	FRAME ASSY - 48/52/56/60/64D	1
0909094966	FRAME ASSY - 68/72/76/80/84D	2
0521053498	FRONT FRAME SEMI MOUNTED 48	3
0521053370	FRONT FRAME SEMI MOUNTED 52	4
0521053364	FRONT FRAME SEMI MOUNTED 56	5
0521053499	FRONT FRAME SEMI MOUNTED 60	6
0521053501	FRONT FRAME SEMI MOUNTED 64	7
0521053504	FRONT FRAME SEMI MOUNTED 68	8
0521053367	FRONT FRAME SEMI MOUNTED 72	9
0521054042	FRONT FRAME SEMI MOUNTED 76	10
0521054036	FRONT FRAME SEMI MOUNTED 80	11
0521054008	FRONT FRAME SEMI MOUNTED 84	12
0521053497	REAR FRAME 48	13
0521053371	REAR FRAME 52	14
0521053362	REAR FRAME 56	15
0521053500	REAR FRAME 60	16
0521053502	REAR FRAME 64	17
0521053503	REAR FRAME 68	18
0521053396	REAR FRAME 72	19
0521054043	REAR FRAME 76	20
0521054056	REAR FRAME 80	21
0521053984	REAR FRAME 84	22
0909094963	OPENING ASSY - 48/52/56/60/64D	23
0909094967	OPENING ASSY - 68/72/76/80/84D	24
0511058461	HYDRAULIC CYLINDER	25
0521048204	DRAWBAR ASSY 48	26
0521044870	DRAWBAR ASSY	27
0501044359	DRAWBAR ASSY	28
0521053943	HITCH	29
0503062157	HEADER JACK	30
0521053415	MANUAL DOOR ASSY INSTRUCTION	31
0501053834	MALE QUICK COUPLING AGRICULTURAL WITH COVER - 1/2 NPT	32
0501040257	3/4 X 1200 HOSE HOLDER A	33
0909094964	FRONT DISC GANG SECTION - 48/52/56/60/64D	34
0909094968	FRONT DISC GANG SECTION - 68/72/76/80/84D	35
0909094965	REAR DISC GANG SECTION - 48/52/56/60/64D	36
0909094969	REAR DISC GANG SECTION - 68/72/76/80/84D	37
0501047055	BEARING	38



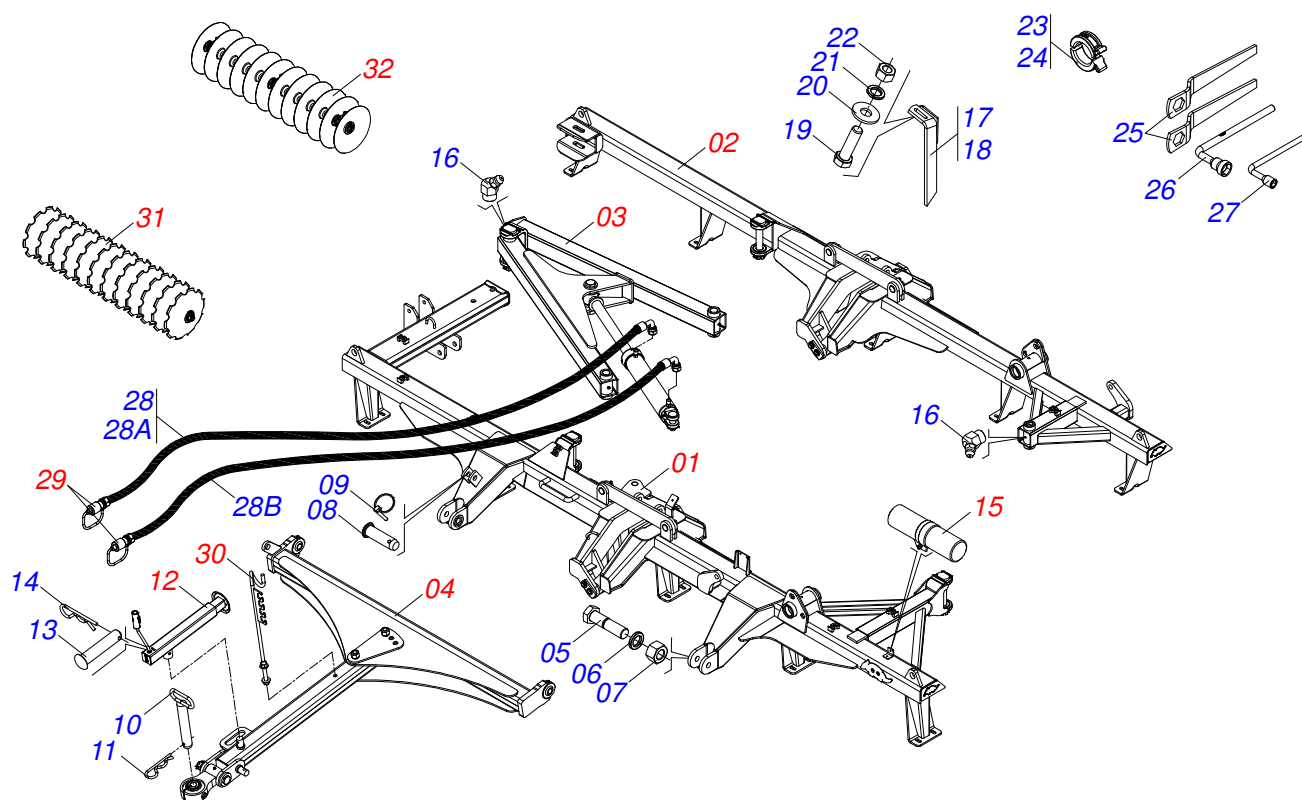
Item	Code	Description	048	052	056	060	064
01	0521053498	FRONT FRAME SEMI MOUNTED 48	001	000	000	000	000
01.	0521053370	FRONT FRAME SEMI MOUNTED 52	000	001	000	000	000
01..	0521053364	FRONT FRAME SEMI MOUNTED 56	000	000	001	000	000
01...	0521053499	FRONT FRAME SEMI MOUNTED 60	000	000	000	001	000
01....	0521053501	FRONT FRAME SEMI MOUNTED 64	000	000	000	000	001
02	0521053497	REAR FRAME 48	001	000	000	000	000
02.	0521053371	REAR FRAME 52	000	001	000	000	000
02..	0521053362	REAR FRAME 56	000	000	001	000	000
02...	0521053500	REAR FRAME 60	000	000	000	001	000
02....	0521053502	REAR FRAME 64	000	000	000	000	001
03	0909094963	OPENING ASSY - 48/52/56/60/64D	001	001	001	001	001
04	0521048204	DRAWBAR ASSY 48	001	000	000	000	000
04.	0521044870	DRAWBAR ASSY	000	001	001	001	001
05	0501010426	1-1/4" X 6" BOLT	002	002	002	002	002
06	0503010070	SPRING WASHER	002	002	002	002	002
07	0501010087	1.1/4" NUT	002	002	002	002	002
08	0501019002	JUNCTION SHAFT	001	001	001	001	001
09	0503030085	LOCK PIN	001	001	001	001	001
10	0501069080	COUPLING SHAFT	001	001	001	001	001
11	0503031035	HAIR PIN	001	001	001	001	001
12	0503062157	HEADER JACK	001	001	001	001	001
13	0521010549	COUPLING SHAFT	001	001	001	001	001
14	0503030168	HAIR PIN	001	001	001	001	001
15	0521053415	MANUAL DOOR ASSY INSTRUCTION	001	001	001	001	001
16	0503010003	1845 GREASE FITTING	002	002	002	002	002
17	0501063963	FRONT SCRAPER	017	019	021	023	023
18	0501063962	REAR SCRAPER	017	019	021	023	023
19	0503011082	C1/2" X 1.3/4" BOLT	068	076	084	092	092
20	0511017302	FLAT WASHER	068	076	084	092	092
21	0503010019	1/2" SPRING WASHER	068	076	084	092	092
22	0503010060	1/2" NUT	068	076	084	092	092
23	0501047895	ROD STOP	006	006	006	006	006
24	0501047885	ROD STOP	004	004	004	004	004



FRAME ASSY - 48/52/56/60/64D

0909094962

Item	Code	Description	048	052	056	060	064
25	0501011432	1-1/2" AND 1-5/8 GANG BOLT WRENCH	002	002	002	002	002
26	0501061617	1" GANG BOLT WRENCH	001	001	001	001	001
27	0501068273	5/8" WRENCH	001	001	001	001	001
28	0521053412	HOSE KIT	001	001	001	001	001
28A	0521053413	3/8" X 177" TC-TM HOSE	001	001	001	001	001
28B	0521053414	3/8" X 177 TC-TM HOSE	001	001	001	001	001
29	0501053834	MALE QUICK COUPLING AGRICULTURAL WITH	002	002	002	002	002
30	0501040257	3/4 X 1200 HOSE HOLDER A	001	001	001	001	001
31	0909094964	FRONT DISC GANG SECTION - 48/52/56/60/64D	001	001	001	001	001
32	0909094965	REAR DISC GANG SECTION - 48/52/56/60/64D	001	001	001	001	001



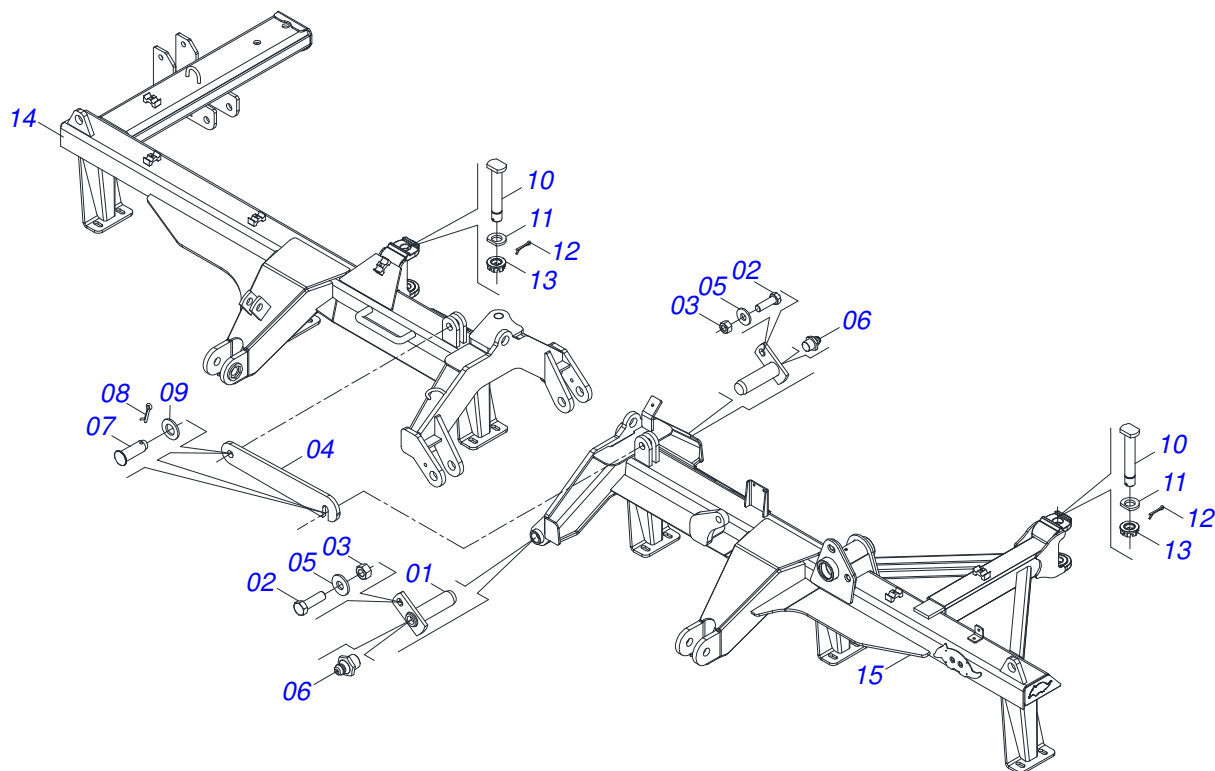
Item	Code	Description	068	072	076	080	084
01	0521053504	FRONT FRAME SEMI MOUNTED 68	001	000	000	000	000
01.	0521053367	FRONT FRAME SEMI MOUNTED 72	000	001	000	000	000
01..	0521054042	FRONT FRAME SEMI MOUNTED 76	000	000	001	000	000
01...	0521054036	FRONT FRAME SEMI MOUNTED 80	000	000	000	001	000
01....	0521054008	FRONT FRAME SEMI MOUNTED 84	000	000	000	000	001
02	0521053503	REAR FRAME 68	001	000	000	000	000
02.	0521053396	REAR FRAME 72	000	001	000	000	000
02..	0521054043	REAR FRAME 76	000	000	001	000	000
02...	0521054056	REAR FRAME 80	000	000	000	001	000
02....	0521053984	REAR FRAME 84	000	000	000	000	001
03	0909094963	OPENING ASSY - 48/52/56/60/64D	001	001	001	001	001
03.	0909094967	OPENING ASSY - 68/72/76/80/84D	001	001	001	001	001
04	0521044870	DRAWBAR ASSY	000	001	001	001	001
05	0501010426	1-1/4" X 6" BOLT	002	002	002	002	002
06	0503010070	SPRING WASHER	002	002	002	002	002
07	0501010087	1.1/4" NUT	002	002	002	002	002
08	0501019002	JUNCTION SHAFT	001	001	001	001	001
09	0503030085	LOCK PIN	001	001	001	001	001
10	0501069080	COUPLING SHAFT	001	001	001	001	001
11	0503031035	HAIR PIN	001	001	001	001	001
12	0503062157	HEADER JACK	001	001	001	001	001
13	0521010549	COUPLING SHAFT	001	001	001	001	001
14	0503030168	HAIR PIN	001	001	001	001	001
15	0521053415	MANUAL DOOR ASSY INSTRUCTION	001	001	001	001	001
16	0503010003	1845 GREASE FITTING	002	002	002	002	002
17	0501063963	FRONT SCRAPER	025	027	027	029	029
18	0501063962	REAR SCRAPER	025	027	027	029	029
19	0503011082	C1/2" X 1.3/4" BOLT	100	108	108	116	116
20	0511017302	FLAT WASHER	100	108	108	116	116
21	0503010019	1/2" SPRING WASHER	100	108	108	116	116
22	0503010060	1/2" NUT	100	108	108	116	116
23	0501047895	ROD STOP	006	006	006	006	006
24	0501047885	ROD STOP	004	004	004	004	004



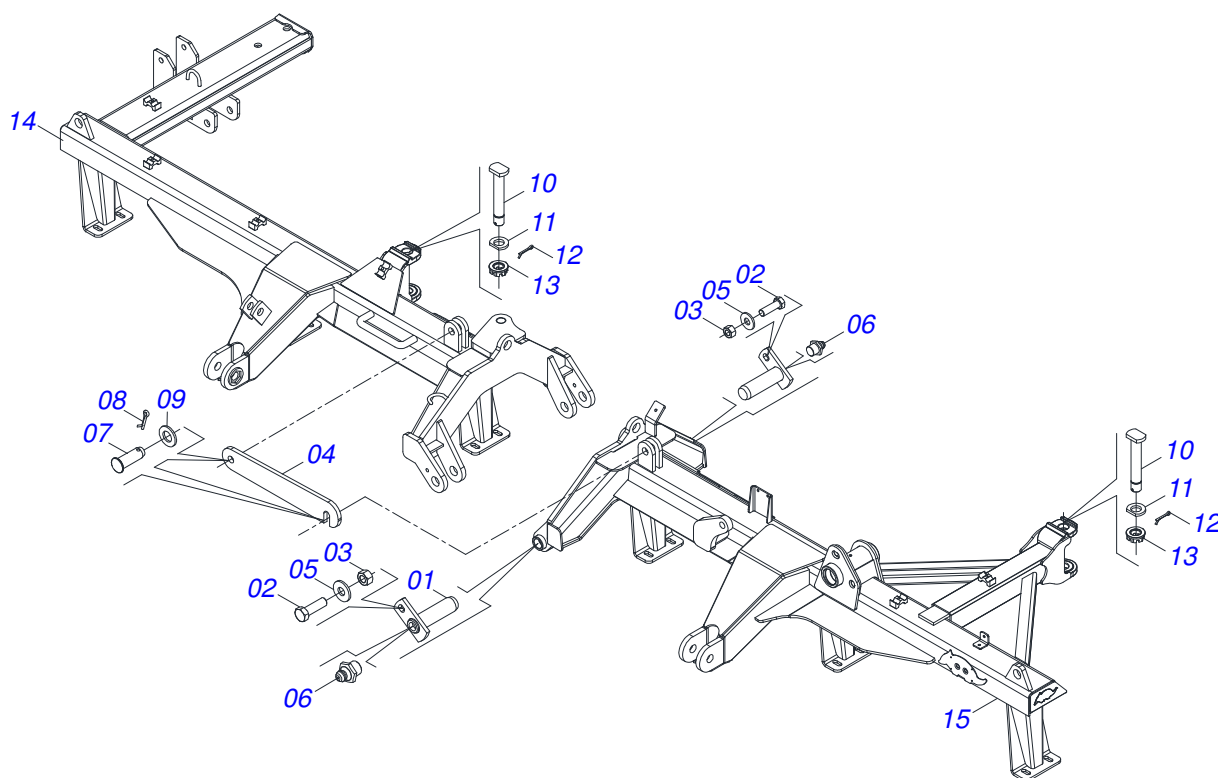
FRAME ASSY - 68/72/76/80/84D

0909094966

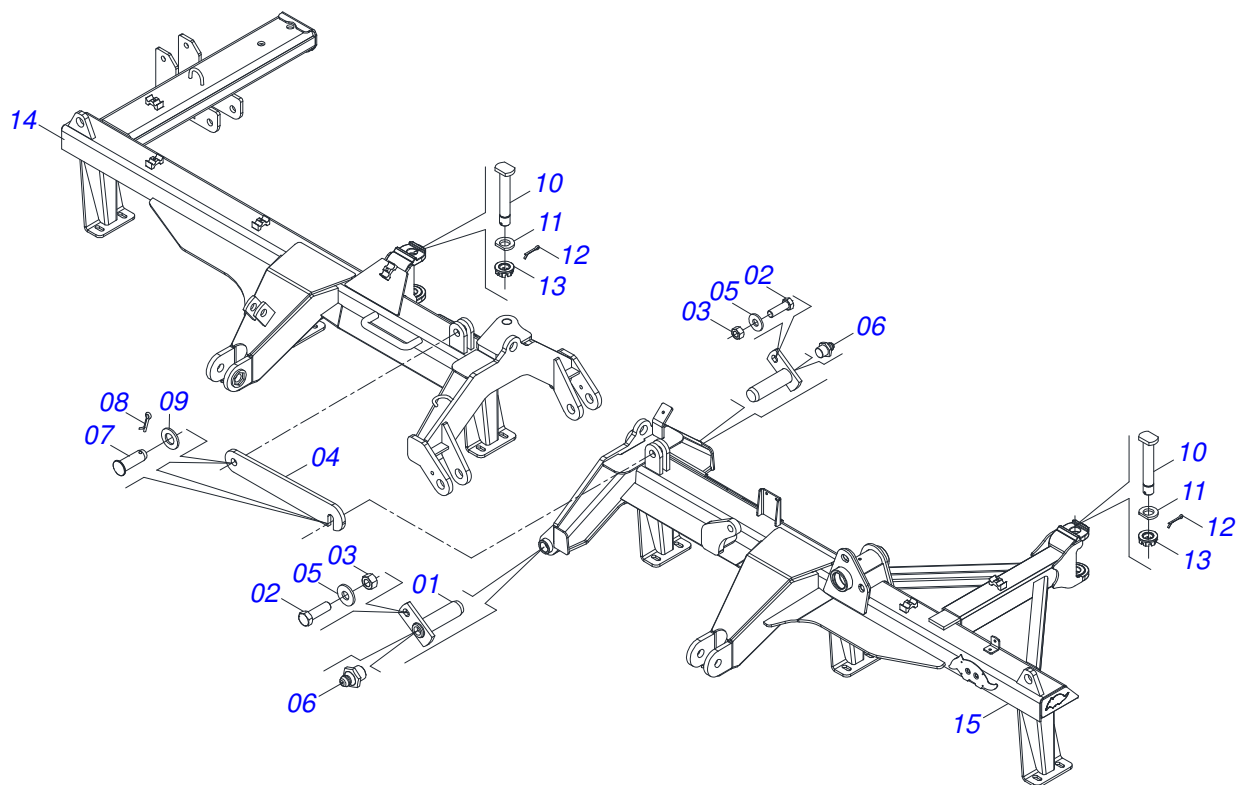
Item	Code	Description	068	072	076	080	084
25	0501011432	1-1/2" AND 1-5/8 GANG BOLT WRENCH	002	002	002	002	002
26	0501061617	1" GANG BOLT WRENCH	001	001	001	001	001
27	0501068273	5/8" WRENCH	001	001	001	001	001
28	0521053412	HOSE KIT	001	001	001	001	001
28A	0521053413	3/8" X 177" TC-TM HOSE	001	001	001	001	001
28B	0521053414	3/8" X 177 TC-TM HOSE	001	001	001	001	001
29	0501053834	MALE QUICK COUPLING AGRICULTURAL WITH	002	002	002	002	002
30	0501040257	3/4 X 1200 HOSE HOLDER A	001	001	001	001	001
31	0909094964	FRONT DISC GANG SECTION - 48/52/56/60/64D	001	001	001	001	001
32	0909094965	REAR DISC GANG SECTION - 48/52/56/60/64D	001	001	001	001	001



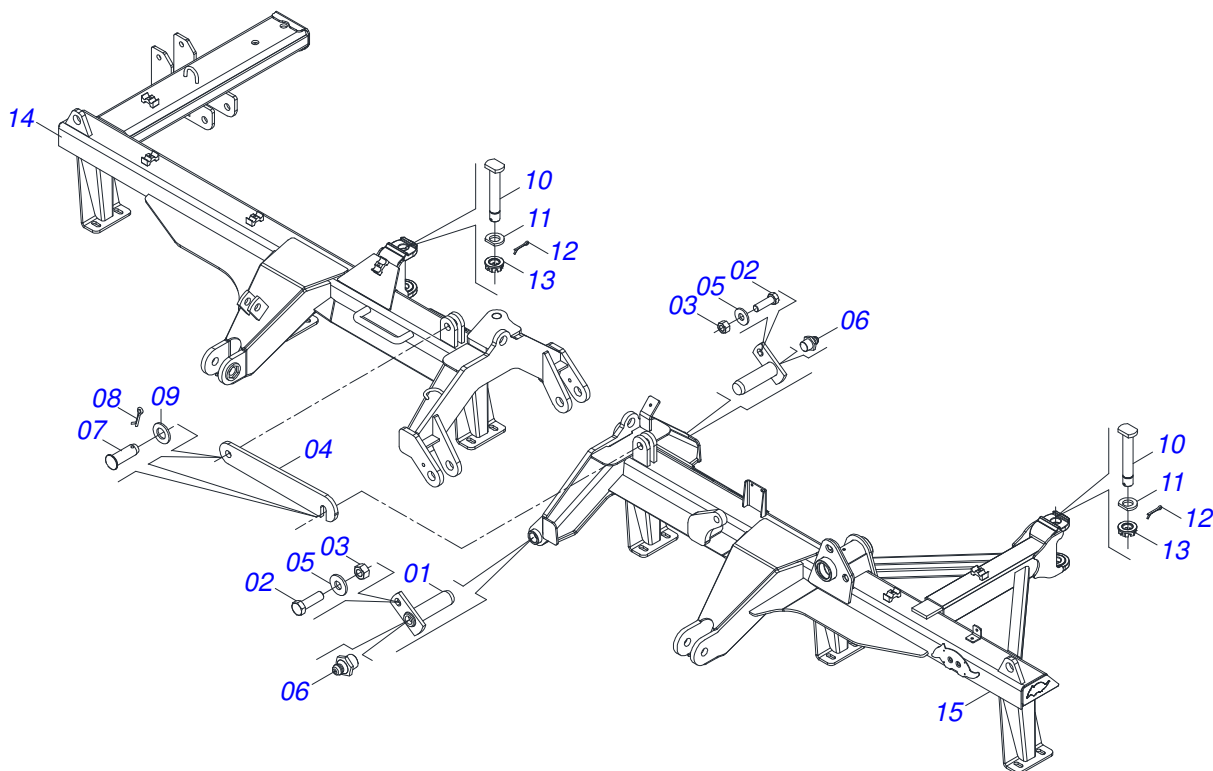
Item	Code	Description	QT
001	0501063751	1.5" X 5.5" PIVOT SHAFT	02
002	0501010100	5/8 UNC X 2 C S G.5 BOLT	02
003	0503010013	5/8" NUT	02
004	0501018941	TRANSPORT LOCK	01
005	0501012140	FLAT WASHER	02
006	0503010002	1800 GREASE FITTING	02
007	0521010592	1.1" X 3.1" COUPLING SHAFT	02
008	0503010571	1/4" X 1.1/2 COTTERPIN	02
009	0511017480	FLAT WASHER	02
010	0531019497	1.5" X 9.2" PIVOT SHAFT	02
011	0531019540	FLAT WASHER	02
012	0503010010	1/4" X 2.1/2" COTTERPIN	02
013	0501011301	1.1/2 UNC 6FPP 2.5/16 NUT	02
014	0521068828	RIGHT FRONT FRAME 48	01
015	0521068835	LEFT FRONT FRAME 48	01



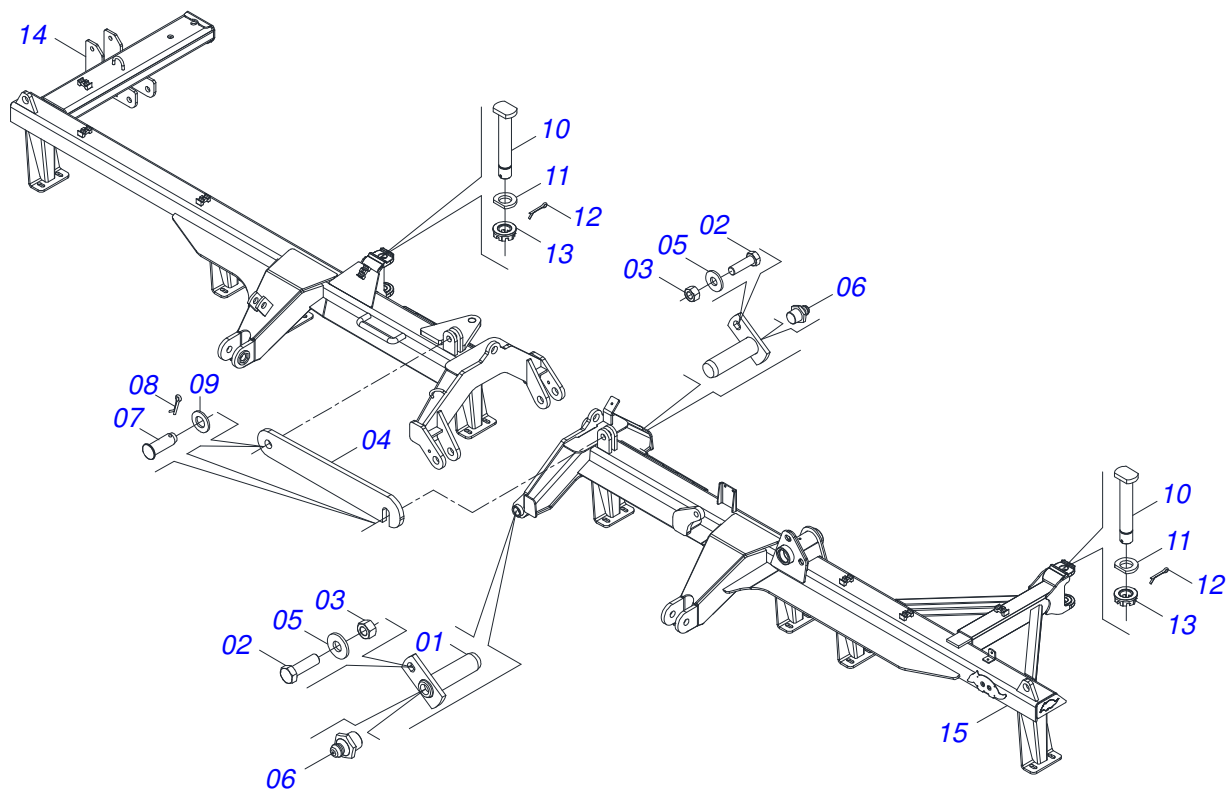
Item	Code	Description	QT
001	0501063751	1.5" X 5.5" PIVOT SHAFT	02
002	0501010100	5/8 UNC X 2 C S G.5 BOLT	02
003	0503010013	5/8" NUT	02
004	0501018941	TRANSPORT LOCK	01
005	0501012140	FLAT WASHER	02
006	0503010002	1800 GREASE FITTING	02
007	0521010592	1.1" X 3.1" COUPLING SHAFT	02
008	0503010571	1/4" X 1.1/2 COTTERPIN	02
009	0511017480	FLAT WASHER	02
010	0531019497	1.5" X 9.2" PIVOT SHAFT	02
011	0531019540	FLAT WASHER	02
012	0503010010	1/4" X 2.1/2" COTTERPIN	02
013	0501011301	1.1/2 UNC 6FPP 2.5/16 NUT	02
014	0521068913	RIGHT FRONT FRAME 52	01
015	0521068914	LEFT FRONT FRAME 52	01



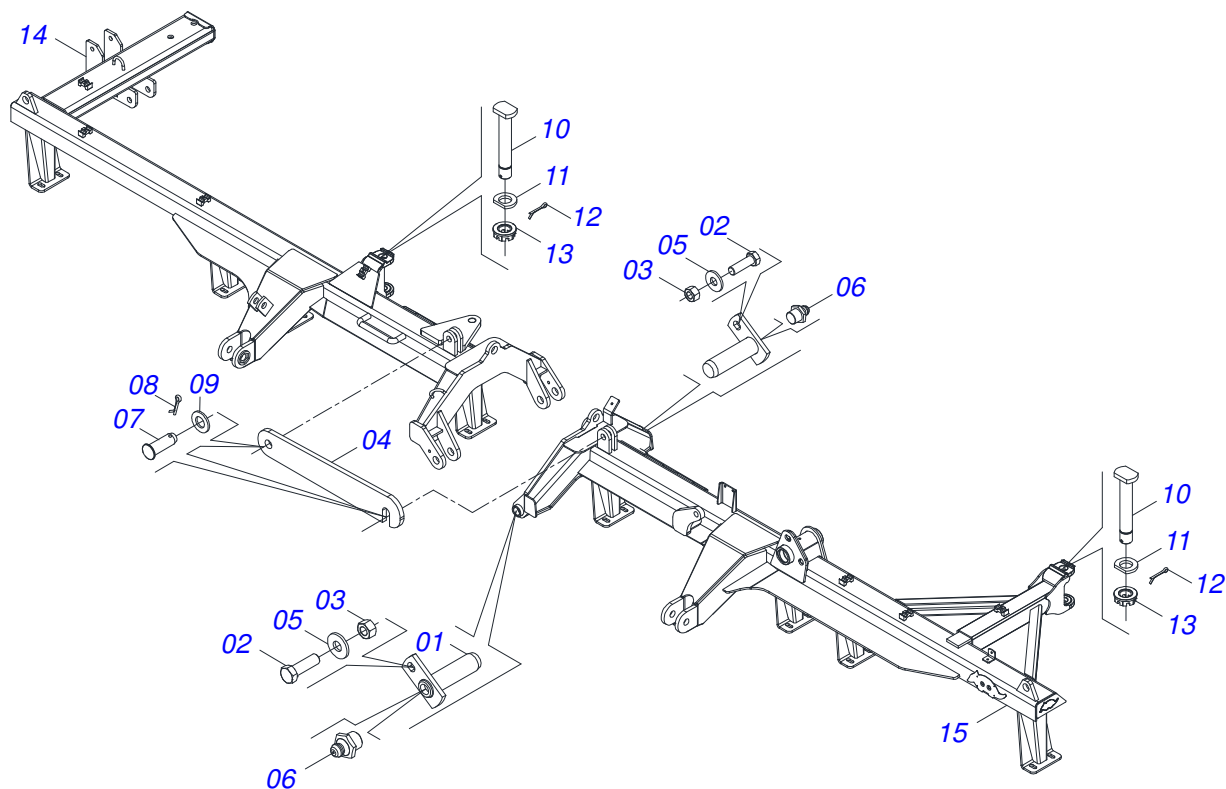
Item	Code	Description	QT
001	0501063751	1.5" X 5.5" PIVOT SHAFT	02
002	0501010100	5/8 UNC X 2 C S G.5 BOLT	02
003	0503010013	5/8" NUT	02
004	0501018941	TRANSPORT LOCK	01
005	0501012140	FLAT WASHER	02
006	0503010002	1800 GREASE FITTING	02
007	0521010592	1.1" X 3.1" COUPLING SHAFT	02
008	0503010571	1/4" X 1.1/2 COTTERPIN	02
009	0511017480	FLAT WASHER	02
010	0531019497	1.5" X 9.2" PIVOT SHAFT	02
011	0531019540	FLAT WASHER	02
012	0503010010	1/4" X 2.1/2" COTTERPIN	02
013	0501011301	1.1/2 UNC 6FPP 2.5/16 NUT	02
014	0521068897	RIGHT FRONT FRAME 56	01
015	0521068896	LEFT FRONT FRAME 56	01



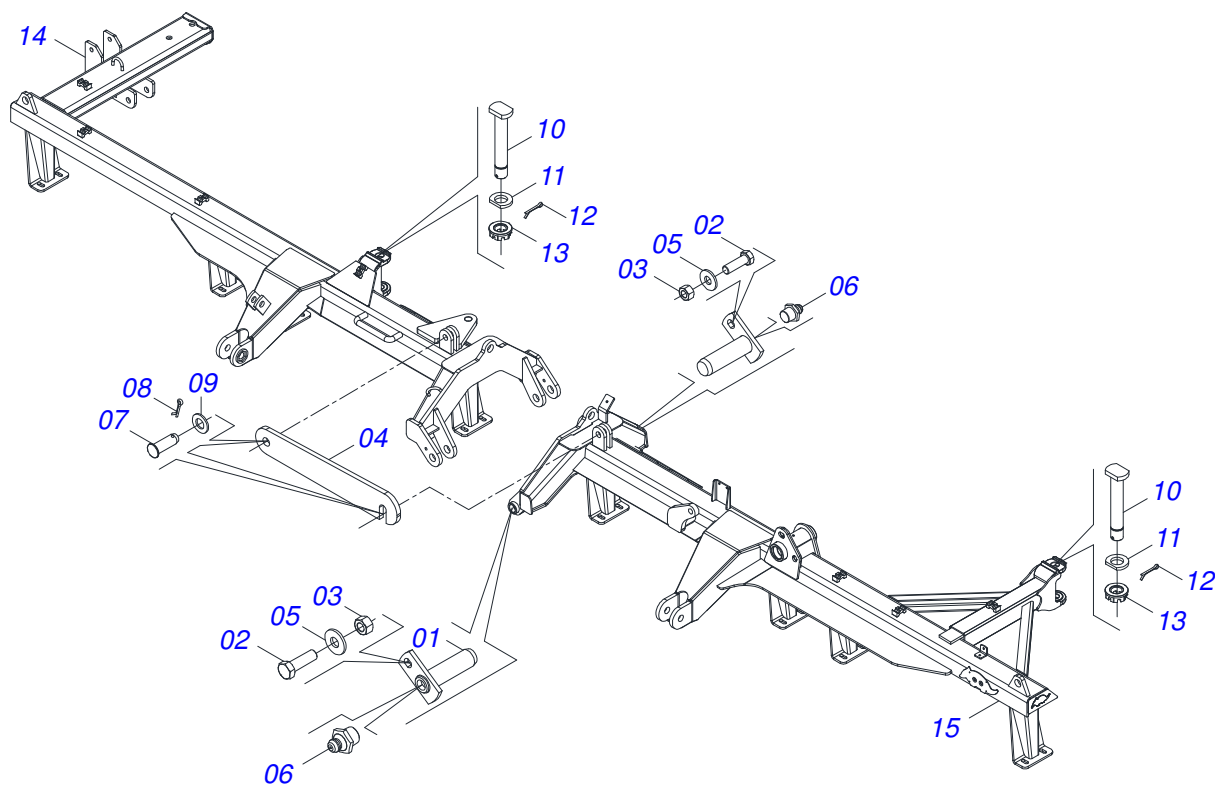
Item	Code	Description	QT
001	0501063751	1.5" X 5.5" PIVOT SHAFT	02
002	0501010100	5/8 UNC X 2 C S G.5 BOLT	02
003	0503010013	5/8" NUT	02
004	0501018941	TRANSPORT LOCK	01
005	0501012140	FLAT WASHER	02
006	0503010002	1800 GREASE FITTING	02
007	0521010592	1.1" X 3.1" COUPLING SHAFT	02
008	0503010571	1/4" X 1.1/2 COTTERPIN	02
009	0511017480	FLAT WASHER	02
010	0531019497	1.5" X 9.2" PIVOT SHAFT	02
011	0531019540	FLAT WASHER	02
012	0503010010	1/4" X 2.1/2" COTTERPIN	02
013	0501011301	1.1/2 UNC 6FPP 2.5/16 NUT	02
014	0521068805	RIGHT FRONT FRAME 60	01
015	0521068806	LEFT FRONT FRAME 60	01



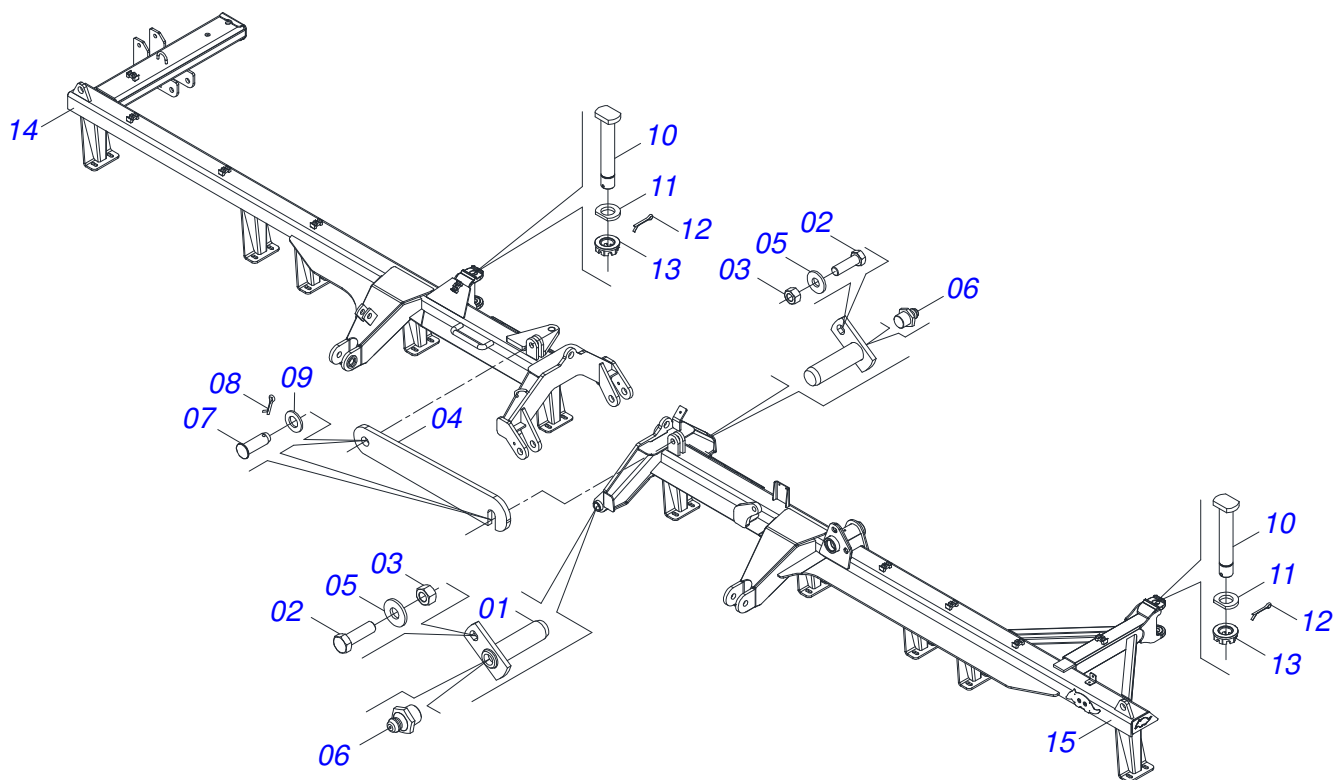
Item	Code	Description	QT
001	0501063751	1.5" X 5.5" PIVOT SHAFT	02
002	0501010100	5/8 UNC X 2 C S G.5 BOLT	02
003	0503010013	5/8" NUT	02
004	0501018941	TRANSPORT LOCK	01
005	0501012140	FLAT WASHER	02
006	0503010002	1800 GREASE FITTING	02
007	0521010592	1.1" X 3.1" COUPLING SHAFT	02
008	0503010571	1/4" X 1.1/2 COTTERPIN	02
009	0511017480	FLAT WASHER	02
010	0531019497	1.5" X 9.2" PIVOT SHAFT	02
011	0531019540	FLAT WASHER	02
012	0503010010	1/4" X 2.1/2" COTTERPIN	02
013	0501011301	1.1/2 UNC 6FPP 2.5/16 NUT	02
014	0521068786	RIGHT FRONT FRAME 64	01
015	0521068785	LEFT FRONT FRAME 64	01



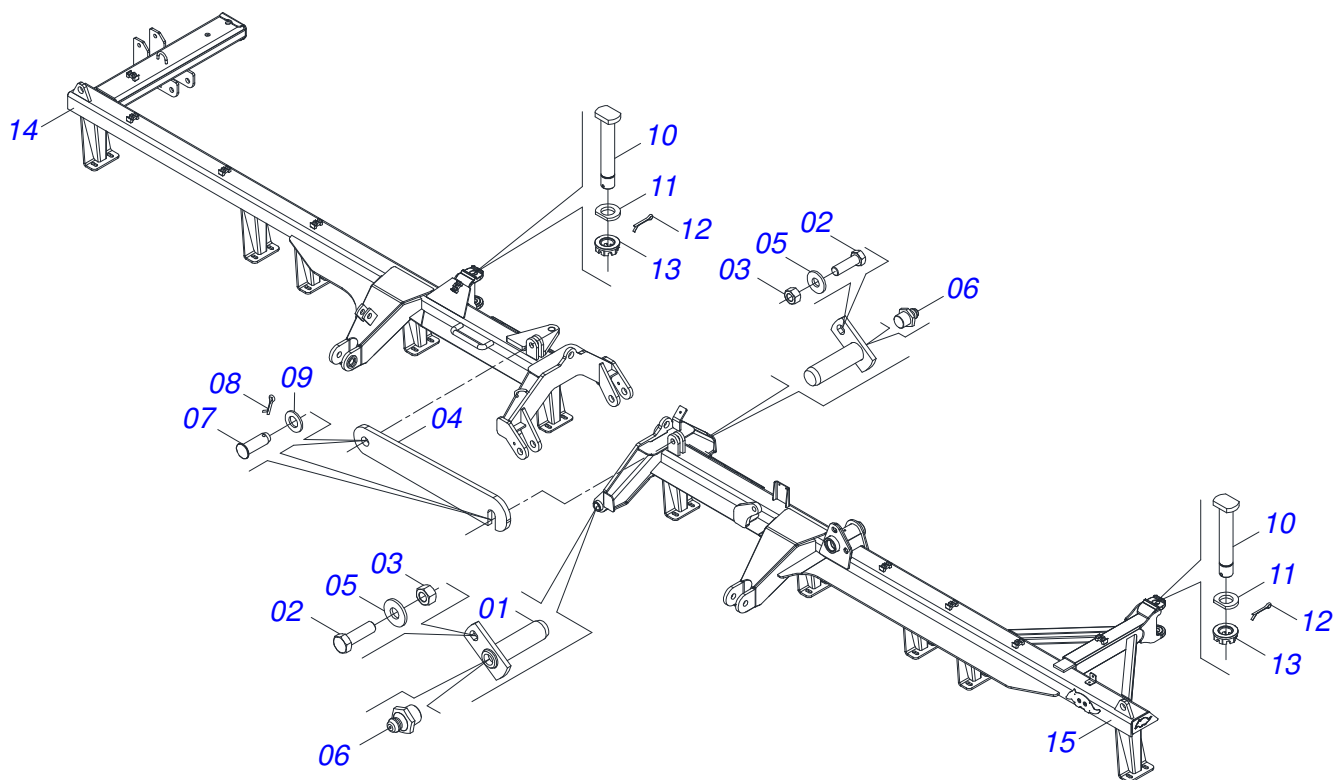
Item	Code	Description	QT
001	0501063751	1.5" X 5.5" PIVOT SHAFT	02
002	0501010100	5/8 UNC X 2 C S G.5 BOLT	02
003	0503010013	5/8" NUT	02
004	0501018941	TRANSPORT LOCK	01
005	0501012140	FLAT WASHER	02
006	0503010002	1800 GREASE FITTING	02
007	0521010592	1.1" X 3.1" COUPLING SHAFT	02
008	0503010571	1/4" X 1.1/2 COTTERPIN	02
009	0511017480	FLAT WASHER	02
010	0531019497	1.5" X 9.2" PIVOT SHAFT	02
011	0531019540	FLAT WASHER	02
012	0503010010	1/4" X 2.1/2" COTTERPIN	02
013	0501011301	1.1/2 UNC 6FPP 2.5/16 NUT	02
014	0521068777	RIGHT FRONT FRAME 68	01
015	0521068776	LEFT FRONT FRAME 68	01



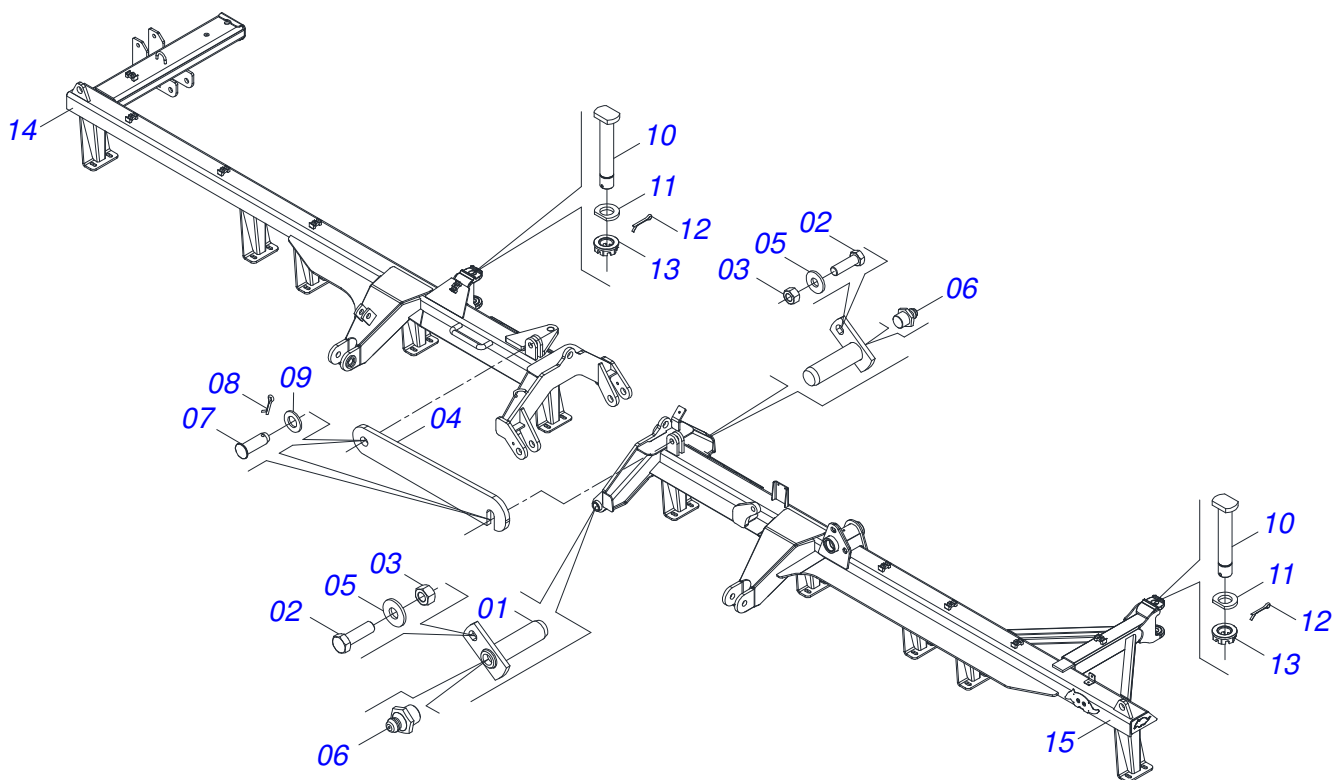
Item	Code	Description	QT
001	0501063751	1.5" X 5.5" PIVOT SHAFT	02
002	0501010100	5/8 UNC X 2 C S G.5 BOLT	02
003	0503010013	5/8" NUT	02
004	0501018941	TRANSPORT LOCK	01
005	0501012140	FLAT WASHER	02
006	0503010002	1800 GREASE FITTING	02
007	0521010592	1.1" X 3.1" COUPLING SHAFT	02
008	0503010571	1/4" X 1.1/2 COTTERPIN	02
009	0511017480	FLAT WASHER	02
010	0531019497	1.5" X 9.2" PIVOT SHAFT	02
011	0531019540	FLAT WASHER	02
012	0503010010	1/4" X 2.1/2" COTTERPIN	02
013	0501011301	1.1/2 UNC 6FPP 2.5/16 NUT	02
014	0521068771	RIGHT FRONT FRAME 72	01
015	0521068770	LEFT FRONT FRAME 72	01



Item	Code	Description	QT
001	0501063751	1.5" X 5.5" PIVOT SHAFT	02
002	0501010100	5/8 UNC X 2 C S G.5 BOLT	02
003	0503010013	5/8" NUT	02
004	0501018941	TRANSPORT LOCK	01
005	0501012140	FLAT WASHER	02
006	0503010002	1800 GREASE FITTING	02
007	0521010592	1.1" X 3.1" COUPLING SHAFT	02
008	0503010571	1/4" X 1.1/2 COTTERPIN	02
009	0511017480	FLAT WASHER	02
010	0531019497	1.5" X 9.2" PIVOT SHAFT	02
011	0531019540	FLAT WASHER	02
012	0503010010	1/4" X 2.1/2" COTTERPIN	02
013	0501011301	1.1/2 UNC 6FPP 2.5/16 NUT	02
014	0521069229	RIGHT FRONT FRAME 76	01
015	0521069213	LEFT FRONT FRAME 76	01

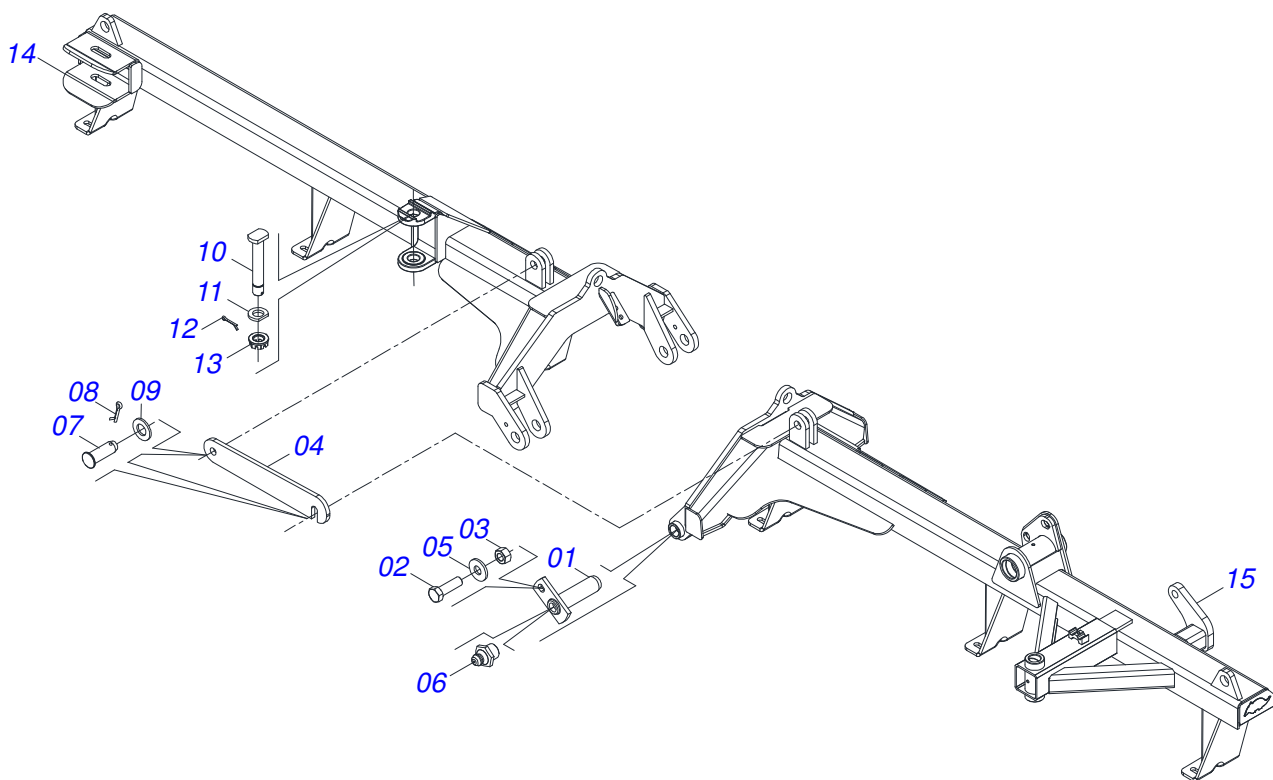


Item	Code	Description	QT
001	0501063751	1.5" X 5.5" PIVOT SHAFT	02
002	0501010100	5/8 UNC X 2 C S G.5 BOLT	02
003	0503010013	5/8" NUT	02
004	0501018941	TRANSPORT LOCK	01
005	0501012140	FLAT WASHER	02
006	0503010002	1800 GREASE FITTING	02
007	0521010592	1.1" X 3.1" COUPLING SHAFT	02
008	0503010571	1/4" X 1.1/2 COTTERPIN	02
009	0511017480	FLAT WASHER	02
010	0531019497	1.5" X 9.2" PIVOT SHAFT	02
011	0531019540	FLAT WASHER	02
012	0503010010	1/4" X 2.1/2" COTTERPIN	02
013	0501011301	1.1/2 UNC 6FPP 2.5/16 NUT	02
014	0521069220	RIGHT FRONT FRAME 80	01
015	0521069221	LEFT FRONT FRAME 80	01



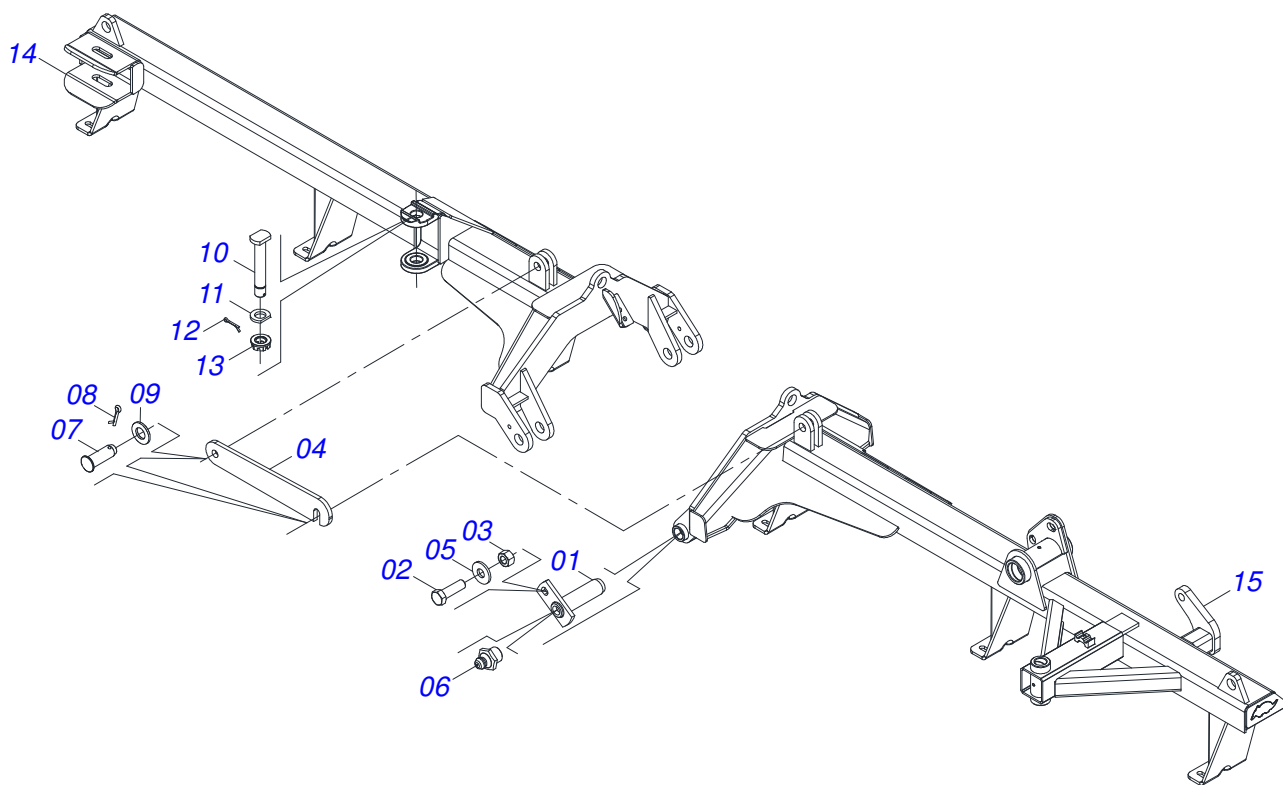
Item	Code	Description	QT
001	0501063751	1.5" X 5.5" PIVOT SHAFT	02
002	0501010100	5/8 UNC X 2 C S G.5 BOLT	02
003	0503010013	5/8" NUT	02
004	0501018941	TRANSPORT LOCK	01
005	0501012140	FLAT WASHER	02
006	0503010002	1800 GREASE FITTING	02
007	0521010592	1.1" X 3.1" COUPLING SHAFT	02
008	0503010571	1/4" X 1.1/2 COTTERPIN	02
009	0511017480	FLAT WASHER	02
010	0531019497	1.5" X 9.2" PIVOT SHAFT	02
011	0531019540	FLAT WASHER	02
012	0503010010	1/4" X 2.1/2" COTTERPIN	02
013	0501011301	1.1/2 UNC 6FPP 2.5/16 NUT	02
014	0521069183	RIGHT FRONT FRAME 84	01
015	0521069194	LEFT FRONT FRAME 84	01

REAR FRAME 48



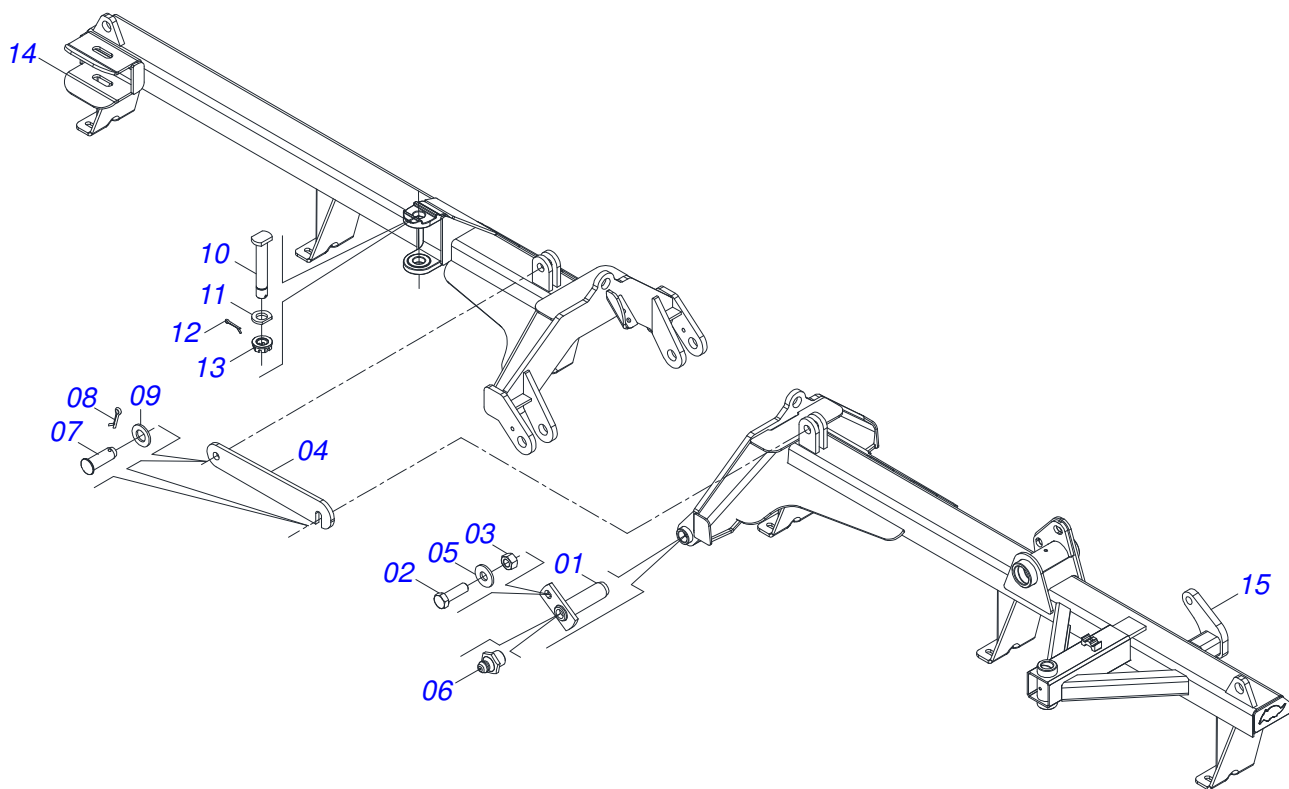
Item	Code	Description	QT
001	0501063751	1.5" X 5.5" PIVOT SHAFT	02
002	0501010100	5/8 UNC X 2 C S G.5 BOLT	02
003	0503010013	5/8" NUT	02
004	0501018941	TRANSPORT LOCK	01
005	0501012140	FLAT WASHER	02
006	0503010002	1800 GREASE FITTING	02
007	0521010592	1.1" X 3.1" COUPLING SHAFT	02
008	0503010571	1/4" X 1.1/2 COTTERPIN	02
009	0511017480	FLAT WASHER	02
010	0531019497	1.5" X 9.2" PIVOT SHAFT	02
011	0531019540	FLAT WASHER	02
012	0503010010	1/4" X 2.1/2" COTTERPIN	02
013	0501011301	1.1/2 UNC 6FPP 2.5/16 NUT	02
014	0521068830	RIGHT REAR FRAME 48	01
015	0521068829	LEFT REAR FRAME 48	01

REAR FRAME 52



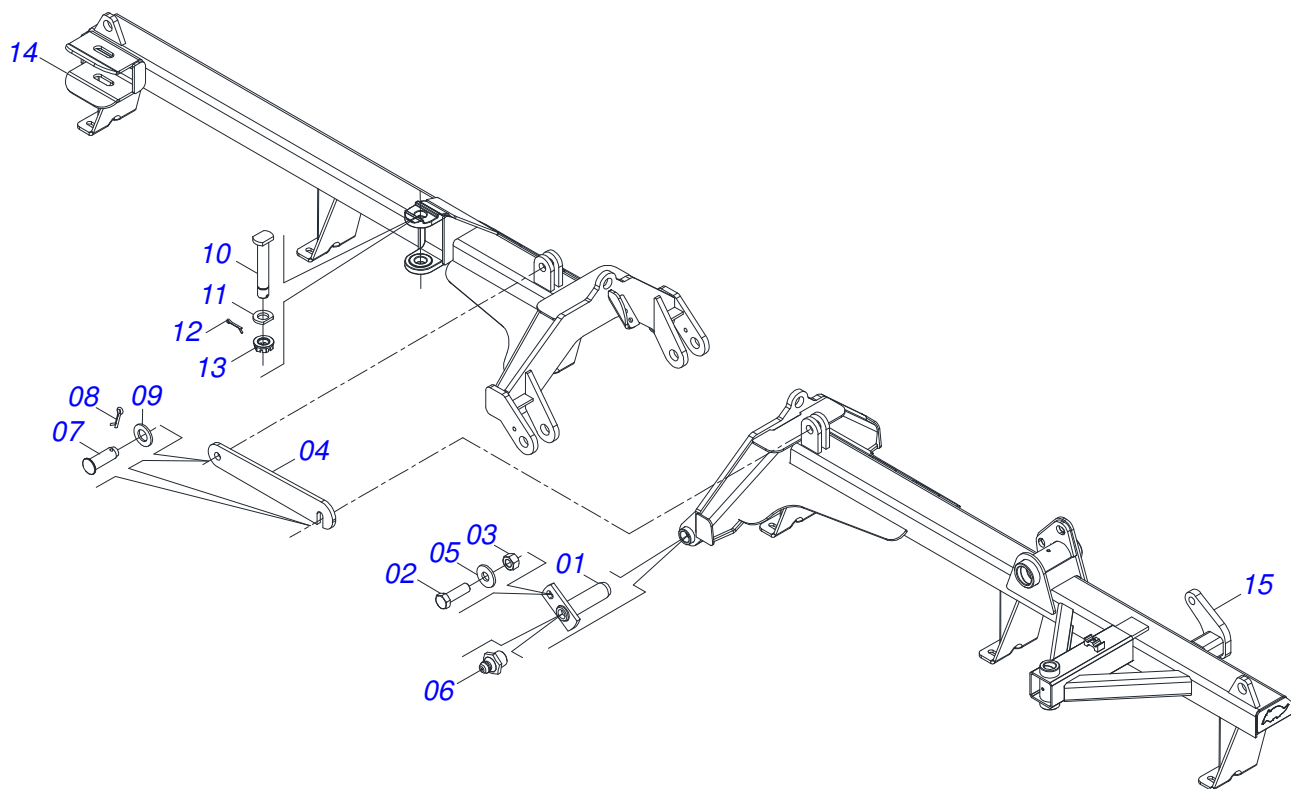
Item	Code	Description	QT
001	0501063751	1.5" X 5.5" PIVOT SHAFT	02
002	0501010100	5/8 UNC X 2 C S G.5 BOLT	02
003	0503010013	5/8" NUT	02
004	0501018941	TRANSPORT LOCK	01
005	0501012140	FLAT WASHER	02
006	0503010002	1800 GREASE FITTING	02
007	0521010592	1.1" X 3.1" COUPLING SHAFT	02
008	0503010571	1/4" X 1.1/2 COTTERPIN	02
009	0511017480	FLAT WASHER	02
010	0531019497	1.5" X 9.2" PIVOT SHAFT	02
011	0531019540	FLAT WASHER	02
012	0503010010	1/4" X 2.1/2" COTTERPIN	02
013	0501011301	1.1/2 UNC 6FPP 2.5/16 NUT	02
014	0521068912	RIGHT REAR FRAME 52	01
015	0521068911	LEFT REAR FRAME 52	01

REAR FRAME 56



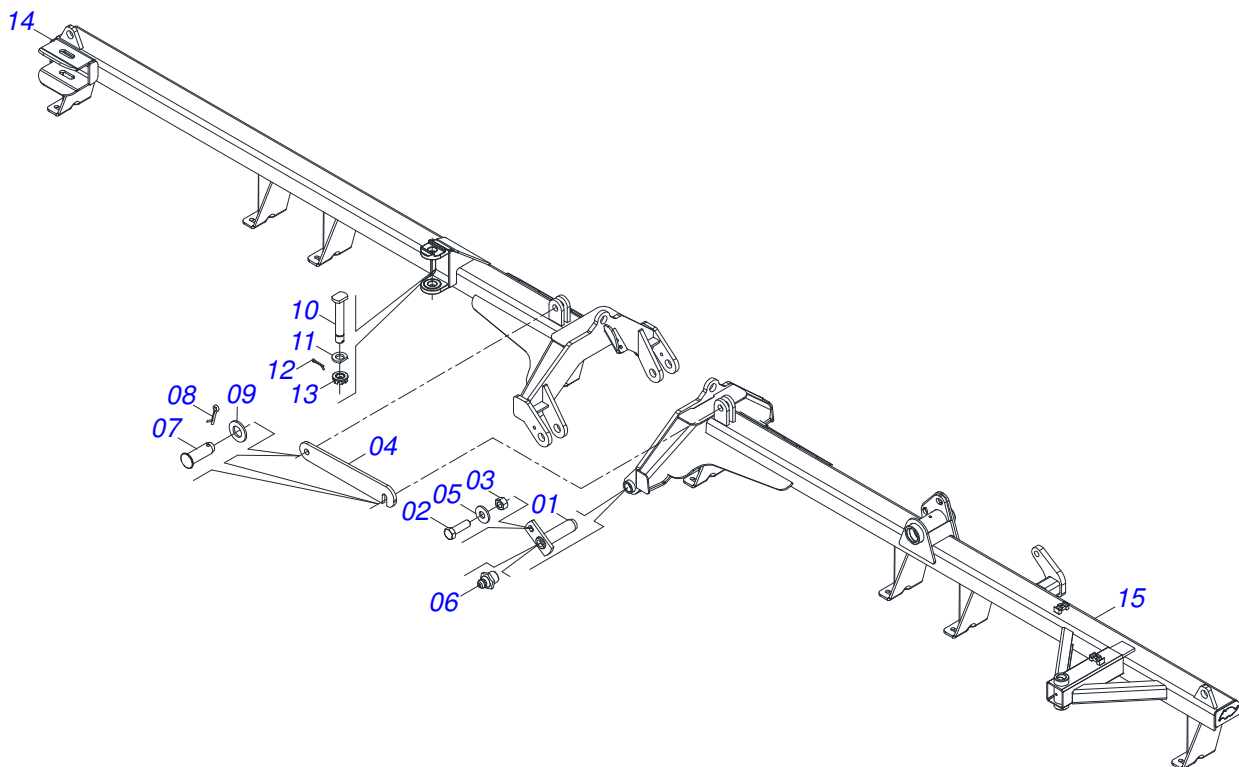
Item	Code	Description	QT
001	0501063751	1.5" X 5.5" PIVOT SHAFT	02
002	0501010100	5/8 UNC X 2 C S G.5 BOLT	02
003	0503010013	5/8" NUT	02
004	0501018941	TRANSPORT LOCK	01
005	0501012140	FLAT WASHER	02
006	0503010002	1800 GREASE FITTING	02
007	0521010592	1.1" X 3.1" COUPLING SHAFT	02
008	0503010571	1/4" X 1.1/2 COTTERPIN	02
009	0511017480	FLAT WASHER	02
010	0531019497	1.5" X 9.2" PIVOT SHAFT	02
011	0531019540	FLAT WASHER	02
012	0503010010	1/4" X 2.1/2" COTTERPIN	02
013	0501011301	1.1/2 UNC 6FPP 2.5/16 NUT	02
014	0521068895	RIGHT REAR FRAME 56	01
015	0521068894	LEFT REAR FRAME 56	01

REAR FRAME 60



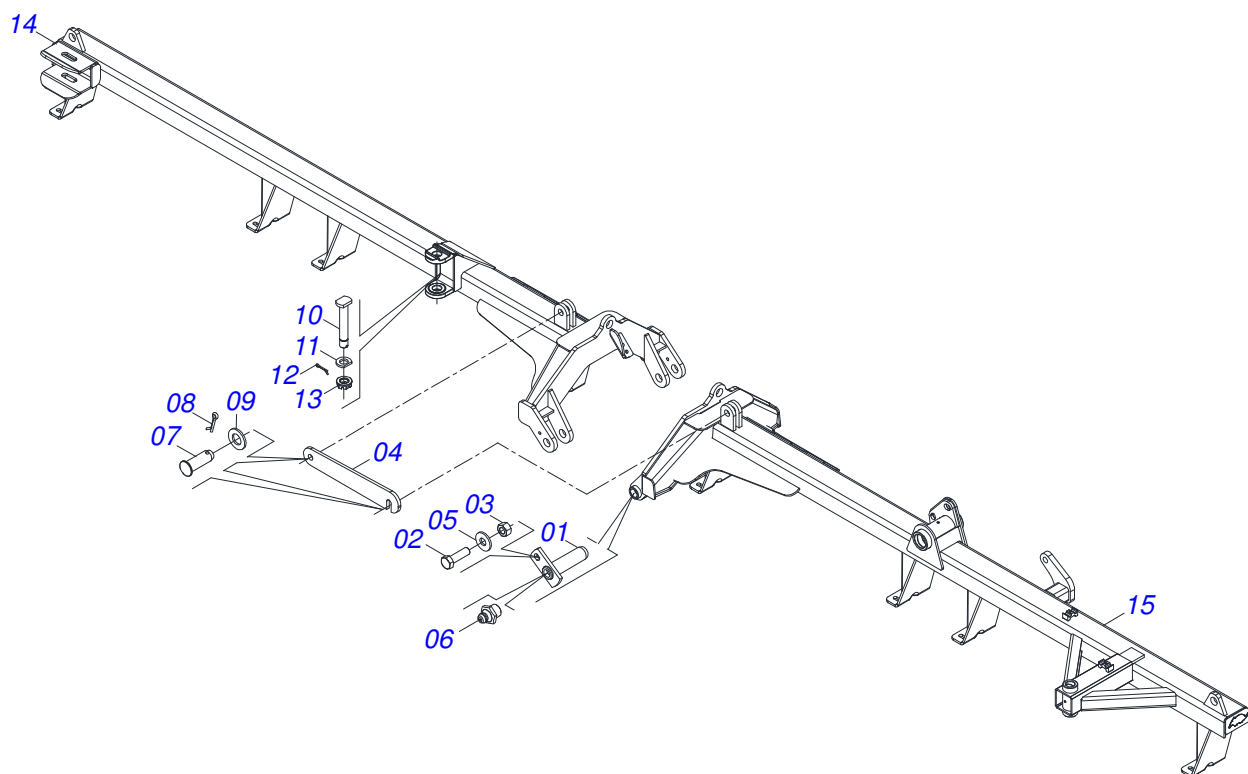
Item	Code	Description	QT
001	0501063751	1.5" X 5.5" PIVOT SHAFT	02
002	0501010100	5/8 UNC X 2 C S G.5 BOLT	02
003	0503010013	5/8" NUT	02
004	0501018941	TRANSPORT LOCK	01
005	0501012140	FLAT WASHER	02
006	0503010002	1800 GREASE FITTING	02
007	0521010592	1.1" X 3.1" COUPLING SHAFT	02
008	0503010571	1/4" X 1.1/2 COTTERPIN	02
009	0511017480	FLAT WASHER	02
010	0531019497	1.5" X 9.2" PIVOT SHAFT	02
011	0531019540	FLAT WASHER	02
012	0503010010	1/4" X 2.1/2" COTTERPIN	02
013	0501011301	1.1/2 UNC 6FPP 2.5/16 NUT	02
014	0521068807	RIGHT REAR FRAME 60	01
015	0521068808	LEFT REAR FRAME 60	01

REAR FRAME 64



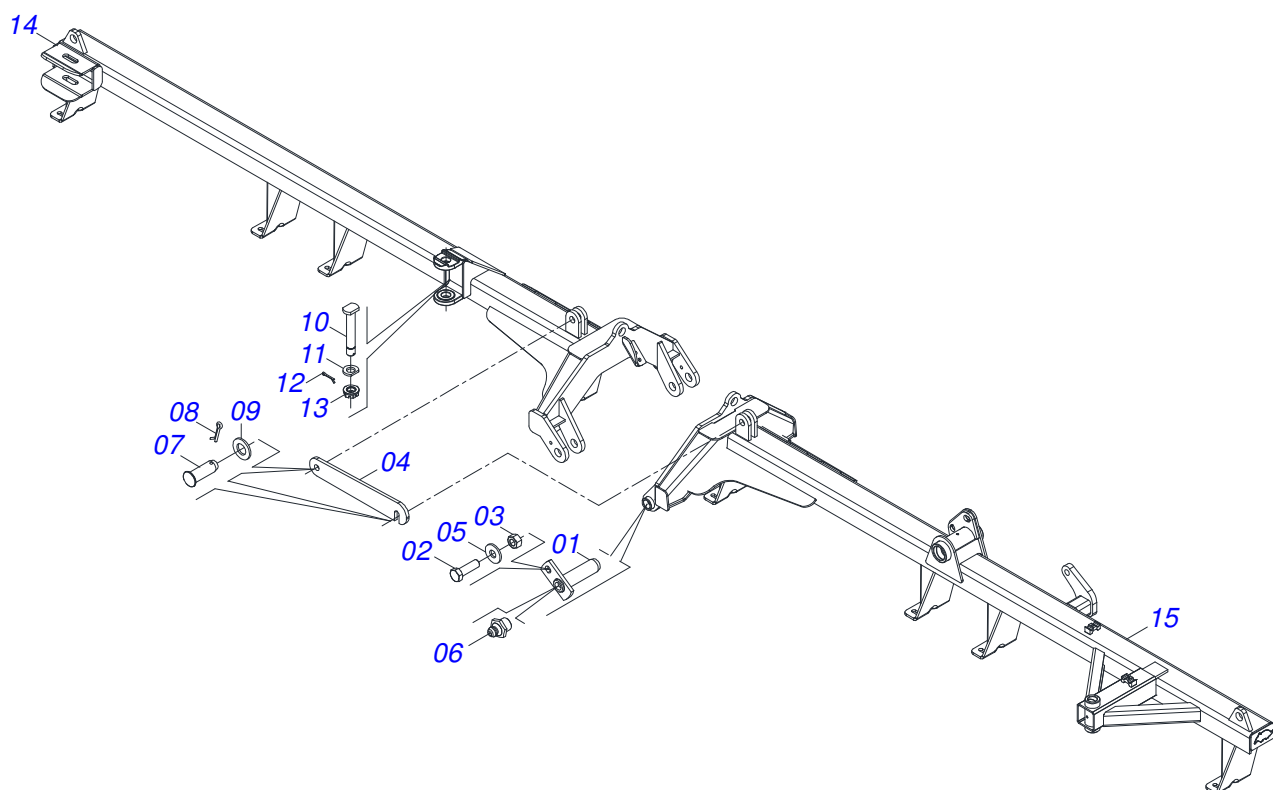
Item	Code	Description	QT
001	0501063751	1.5" X 5.5" PIVOT SHAFT	02
002	0501010100	5/8 UNC X 2 C S G.5 BOLT	02
003	0503010013	5/8" NUT	02
004	0501018941	TRANSPORT LOCK	01
005	0501012140	FLAT WASHER	02
006	0503010002	1800 GREASE FITTING	02
007	0521010592	1.1" X 3.1" COUPLING SHAFT	02
008	0503010571	1/4" X 1.1/2 COTTERPIN	02
009	0511017480	FLAT WASHER	02
010	0531019497	1.5" X 9.2" PIVOT SHAFT	02
011	0531019540	FLAT WASHER	02
012	0503010010	1/4" X 2.1/2" COTTERPIN	02
013	0501011301	1.1/2 UNC 6FPP 2.5/16 NUT	02
014	0521068787	RIGHT REAR FRAME 64	01
015	0521068884	LEFT REAR FRAME 64	01

REAR FRAME 68



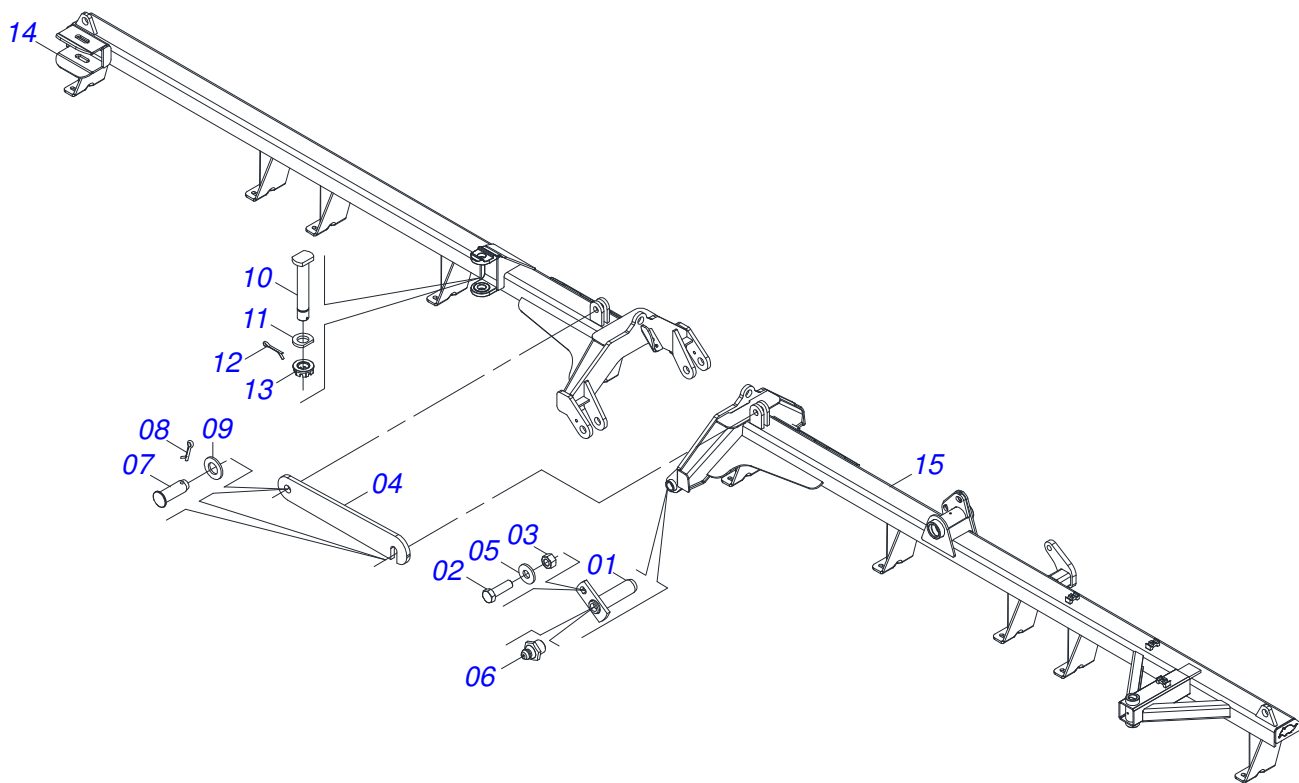
Item	Code	Description	QT
001	0501063751	1.5" X 5.5" PIVOT SHAFT	02
002	0501010100	5/8 UNC X 2 C S G.5 BOLT	02
003	0503010013	5/8" NUT	02
004	0501018941	TRANSPORT LOCK	01
005	0501012140	FLAT WASHER	02
006	0503010002	1800 GREASE FITTING	02
007	0521010592	1.1" X 3.1" COUPLING SHAFT	02
008	0503010571	1/4" X 1.1/2 COTTERPIN	02
009	0511017480	FLAT WASHER	02
010	0531019497	1.5" X 9.2" PIVOT SHAFT	02
011	0531019540	FLAT WASHER	02
012	0503010010	1/4" X 2.1/2" COTTERPIN	02
013	0501011301	1.1/2 UNC 6FPP 2.5/16 NUT	02
014	0521065422	RIGHT REAR FRAME	01
015	0521068778	LEFT REAR FRAME 68	01

REAR FRAME 72



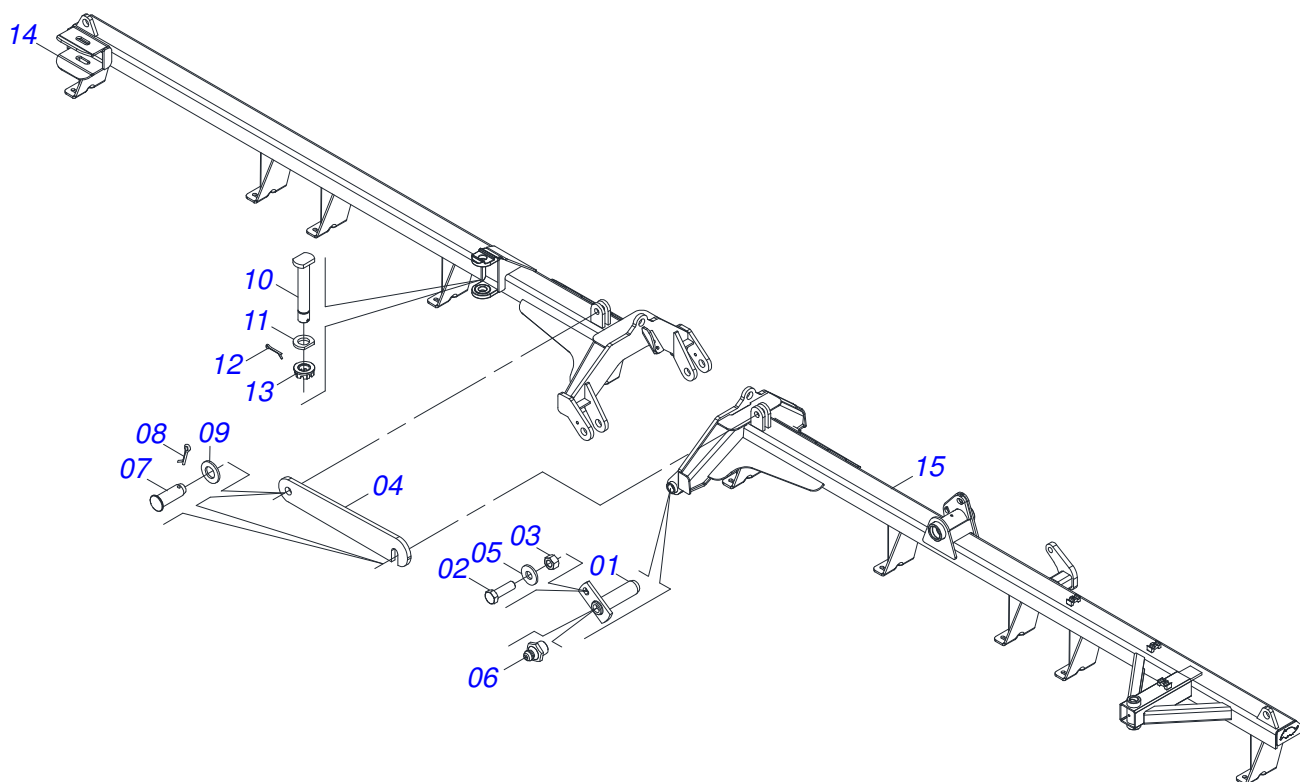
Item	Code	Description	QT
001	0501063751	1.5" X 5.5" PIVOT SHAFT	02
002	0501010100	5/8 UNC X 2 C S G.5 BOLT	02
003	0503010013	5/8" NUT	02
004	0501018941	TRANSPORT LOCK	01
005	0501012140	FLAT WASHER	02
006	0503010002	1800 GREASE FITTING	02
007	0521010592	1.1" X 3.1" COUPLING SHAFT	02
008	0503010571	1/4" X 1.1/2 COTTERPIN	02
009	0511017480	FLAT WASHER	02
010	0531019497	1.5" X 9.2" PIVOT SHAFT	02
011	0531019540	FLAT WASHER	02
012	0503010010	1/4" X 2.1/2" COTTERPIN	02
013	0501011301	1.1/2 UNC 6FPP 2.5/16 NUT	02
014	0521065411	RIGHT REAR FRAME	01
015	0521068772	LEFT REAR FRAME 72	01

REAR FRAME 76



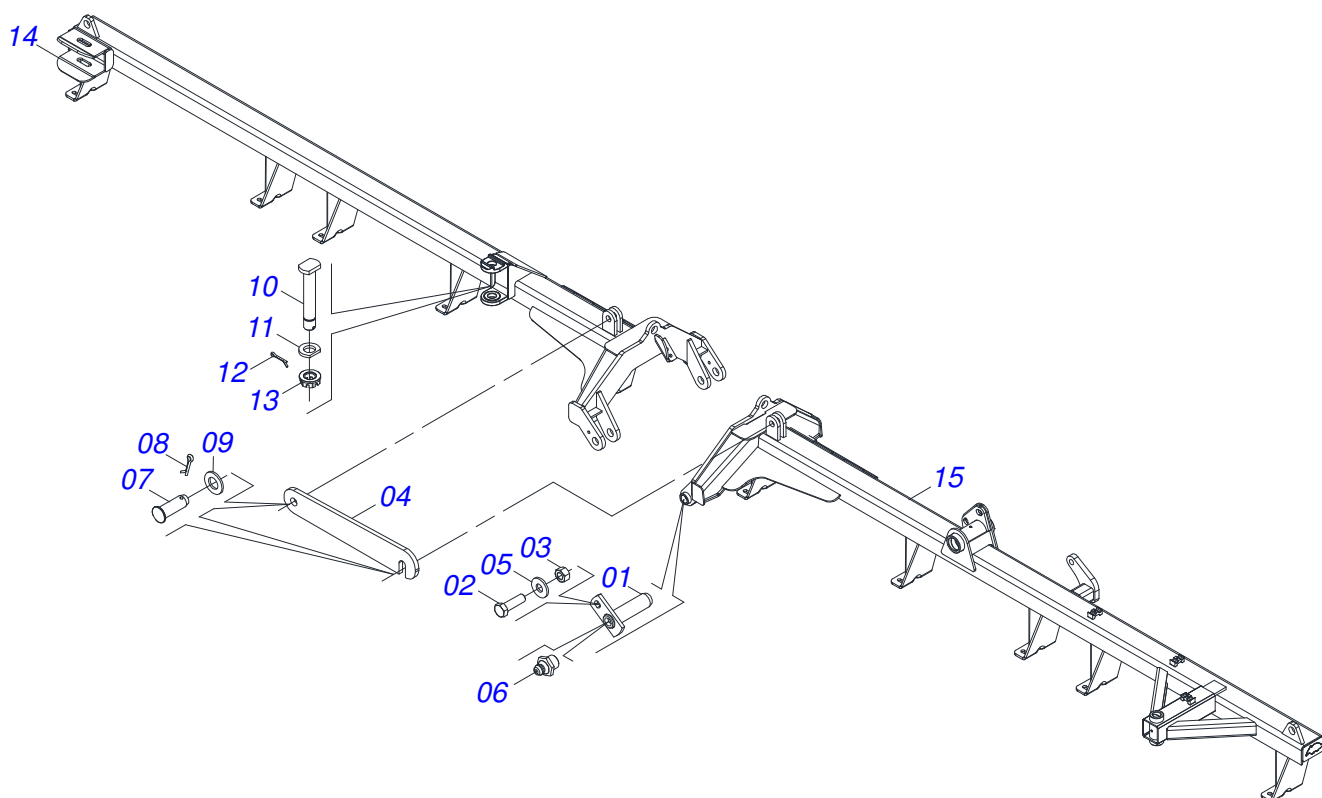
Item	Code	Description	QT
001	0501063751	1.5" X 5.5" PIVOT SHAFT	02
002	0501010100	5/8 UNC X 2 C S G.5 BOLT	02
003	0503010013	5/8" NUT	02
004	0501018941	TRANSPORT LOCK	01
005	0501012140	FLAT WASHER	02
006	0503010002	1800 GREASE FITTING	02
007	0521010592	1.1" X 3.1" COUPLING SHAFT	02
008	0503010571	1/4" X 1.1/2 COTTERPIN	02
009	0511017480	FLAT WASHER	02
010	0531019497	1.5" X 9.2" PIVOT SHAFT	02
011	0531019540	FLAT WASHER	02
012	0503010010	1/4" X 2.1/2" COTTERPIN	02
013	0501011301	1.1/2 UNC 6FPP 2.5/16 NUT	02
014	0521069212	RIGHT REAR FRAME 76	01
015	0521069228	LEFT REAR FRAME 76	01

REAR FRAME 80

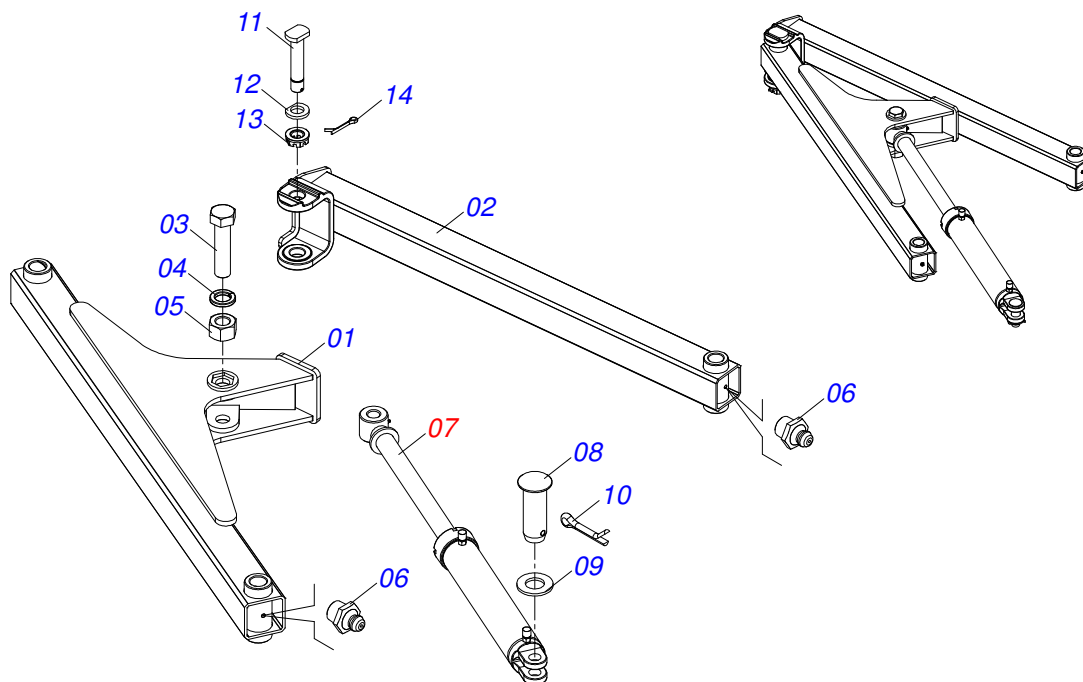


Item	Code	Description	QT
001	0501063751	1.5" X 5.5" PIVOT SHAFT	02
002	0501010100	5/8 UNC X 2 C S G.5 BOLT	02
003	0503010013	5/8" NUT	02
004	0501018941	TRANSPORT LOCK	01
005	0501012140	FLAT WASHER	02
006	0503010002	1800 GREASE FITTING	02
007	0521010592	1.1" X 3.1" COUPLING SHAFT	02
008	0503010571	1/4" X 1.1/2 COTTERPIN	02
009	0511017480	FLAT WASHER	02
010	0531019497	1.5" X 9.2" PIVOT SHAFT	02
011	0531019540	FLAT WASHER	02
012	0503010010	1/4" X 2.1/2" COTTERPIN	02
013	0501011301	1.1/2 UNC 6FPP 2.5/16 NUT	02
014	0521069235	RIGHT REAR FRAME 80	01
015	0521069234	LEFT REAR FRAME 80	01

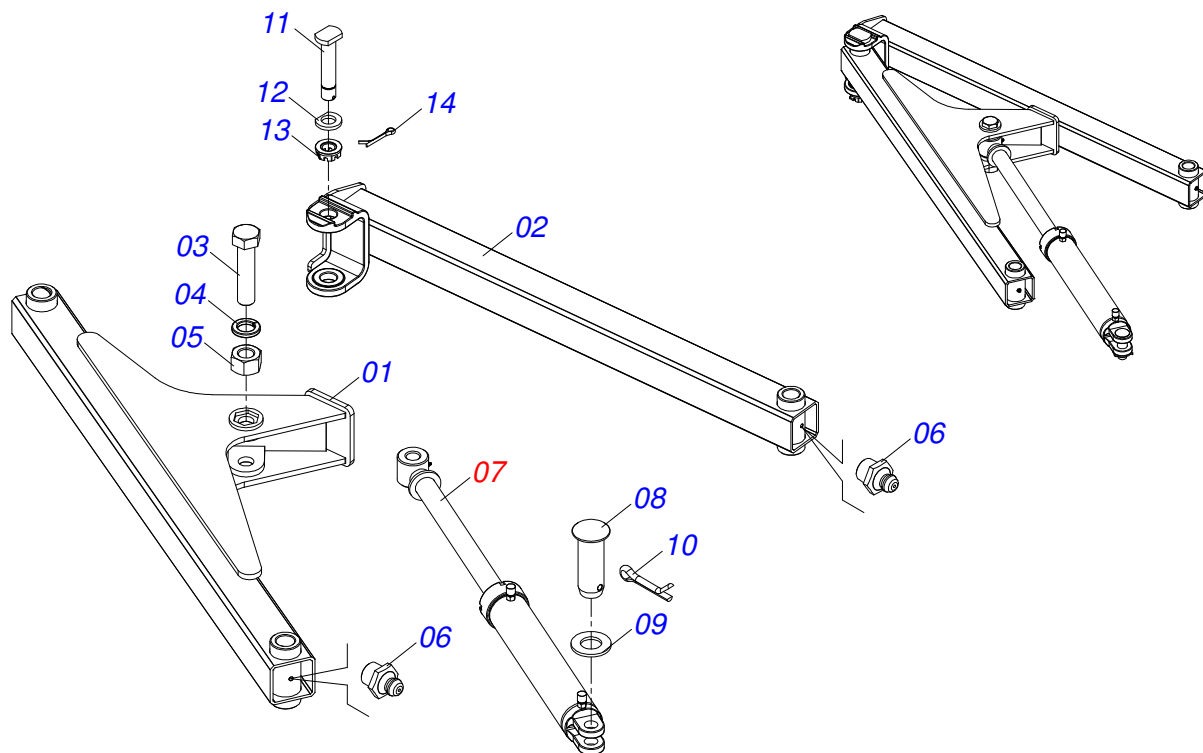
REAR FRAME 84



Item	Code	Description	QT
001	0501063751	1.5" X 5.5" PIVOT SHAFT	02
002	0501010100	5/8 UNC X 2 C S G.5 BOLT	02
003	0503010013	5/8" NUT	02
004	0501018941	TRANSPORT LOCK	01
005	0501012140	FLAT WASHER	02
006	0503010002	1800 GREASE FITTING	02
007	0521010592	1.1" X 3.1" COUPLING SHAFT	02
008	0503010571	1/4" X 1.1/2 COTTERPIN	02
009	0511017480	FLAT WASHER	02
010	0531019497	1.5" X 9.2" PIVOT SHAFT	02
011	0531019540	FLAT WASHER	02
012	0503010010	1/4" X 2.1/2" COTTERPIN	02
013	0501011301	1.1/2 UNC 6FPP 2.5/16 NUT	02
014	0521069195	RIGHT REAR FRAME 84	01
015	0521069182	LEFT REAR FRAME 84	01

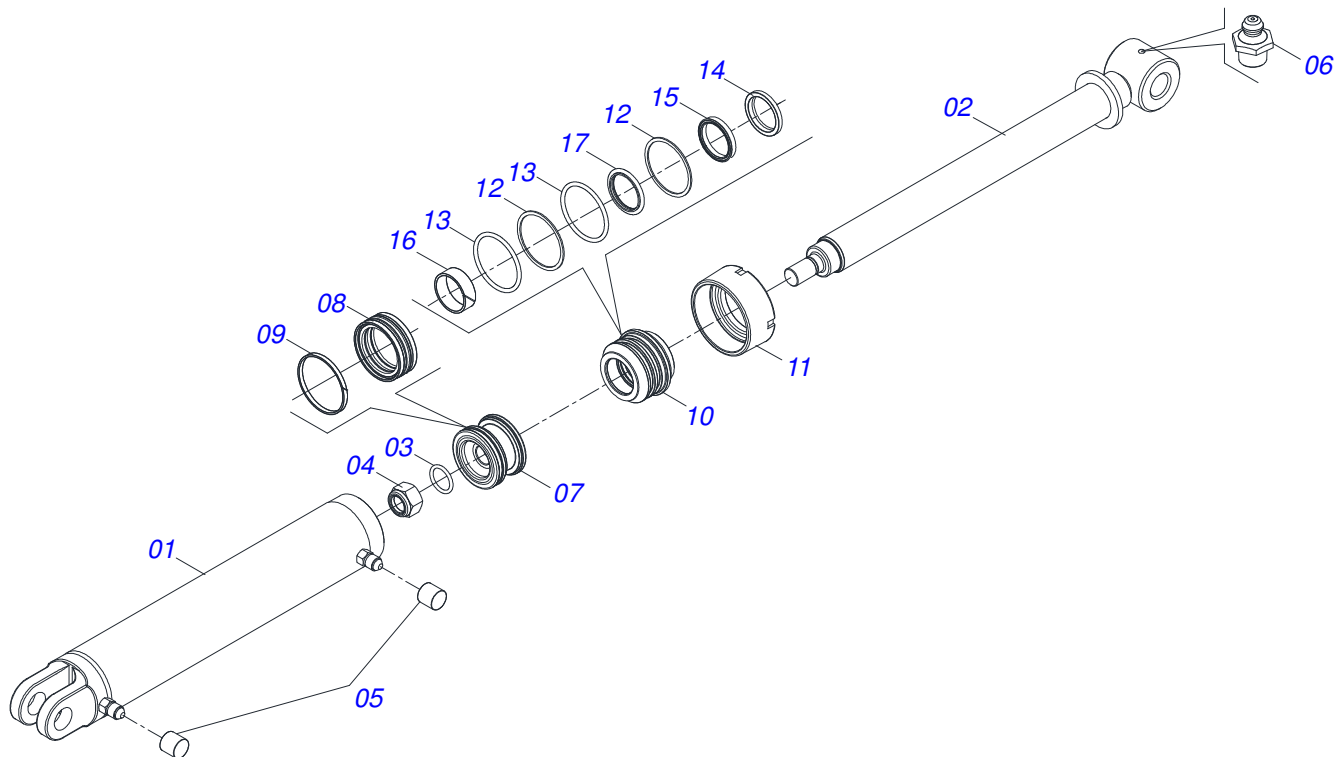


Item	Code	Description	048	052	056	060	064
01	0521068803	FRONT STABILIZER BAR	001	001	001	001	000
01.	0521065407	FRONT ESTAB BAR	000	000	000	000	001
02	0521068804	REAR STABILIZER BAR	001	001	001	001	000
02.	0521065406	REAR STABILIZER BAR	000	000	000	000	001
03	0501011106	1-1/4" X 7" BOLT	001	001	001	001	001
04	0503010070	SPRING WASHER	001	001	001	001	001
05	0501010087	1.1/4" NUT	001	001	001	001	001
06	0503010002	1800 GREASE FITTING	002	002	002	002	002
07	0511058461	HYDRAULIC CYLINDER	001	001	001	001	001
08	0521010779	COUPLING SHAFT	001	001	001	001	001
09	0501017779	FLAT WASHER	001	001	001	001	001
10	0503010523	1/4" X 2" COTTERPIN	001	001	001	001	001
11	0531019497	1.5" X 9.2" PIVOT SHAFT	001	001	001	001	001
12	0531019540	FLAT WASHER	001	001	001	001	001
13	0501011301	1.1/2 UNC 6FPP 2.5/16 NUT	001	001	001	001	001
14	0503010010	1/4" X 2.1/2" COTTERPIN	001	001	001	001	001



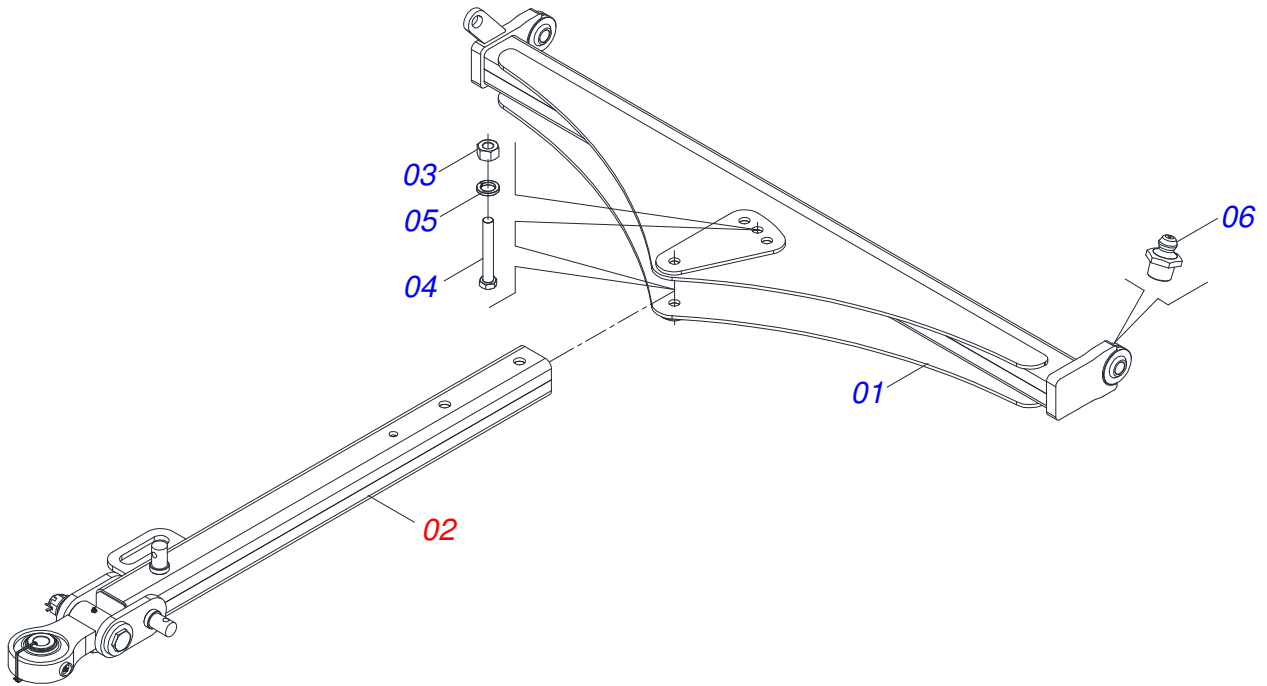
Item	Code	Description	068	072	076	080	084
01	0521065407	FRONT ESTAB BAR	001	001	000	000	000
01.	0521069184	FRONT STABILIZER BAR 1950	000	000	001	001	001
02	0521065406	REAR STABILIZER BAR	001	001	000	000	000
02.	0521069193	REAR STABILIZER BAR	000	000	001	001	001
03	0501011106	1-1/4" X 7" BOLT	001	001	001	001	001
04	0503010070	SPRING WASHER	001	001	001	001	001
05	0501010087	1.1/4" NUT	001	001	001	001	001
06	0503010002	1800 GREASE FITTING	002	002	002	002	002
07	0511058461	HYDRAULIC CYLINDER	001	001	001	001	001
08	0521010779	COUPLING SHAFT	001	001	001	001	001
09	0501017779	FLAT WASHER	001	001	001	001	001
10	0503010523	1/4" X 2" COTTERPIN	001	001	001	001	001
11	0531019497	1.5" X 9.2" PIVOT SHAFT	001	001	001	001	001
12	0531019540	FLAT WASHER	001	001	001	001	001
13	0501011301	1.1/2 UNC 6FPP 2.5/16 NUT	001	001	001	001	001
14	0503010010	1/4" X 2.1/2" COTTERPIN	001	001	001	001	001

HYDRAULIC CYLINDER



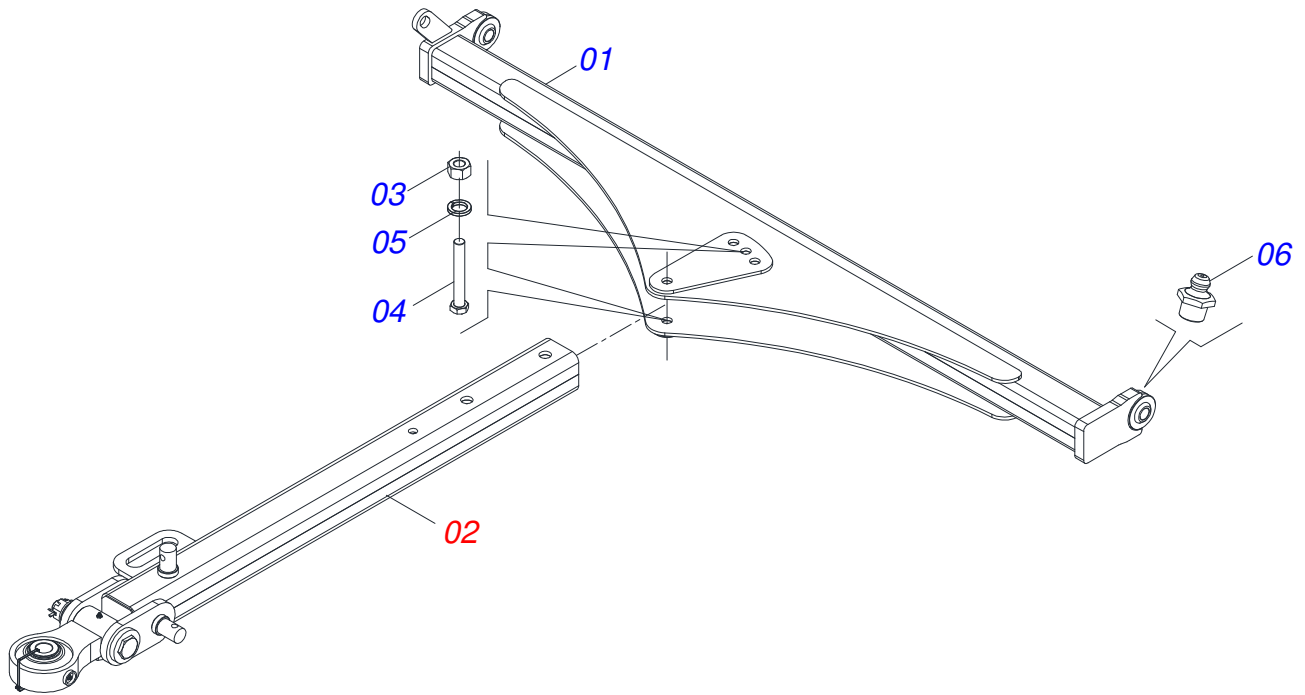
Item	Code	Description	QT
01	0521063982	CYLINDER CASE	01
02	0521067533	50,80 X 697 EXTENSOR	01
03	0503010042	2-214 N 3006-9B O-RING	01
04	0503010063	1" SELF-ALIGNING NUT	01
05	0503030385	CYLINDER PLUG N-002	02
06	0503010002	1800 GREASE FITTING	01
07	0571019710	1.7" X 3.4" PISTON	01
08	0503017935	RING	01
09	0503018144	RING	01
10	0581013228	50,80 X 85,72 SUPPORT RINGS	01
11	0581013227	85,72 MOVE COVER	01
12	0503017940	8-337 BACK-UP RING	02
13	0503017939	2-337 N 3006-9B O' RING	02
14	0503010039	D-2000 SCRAPER RING	01
15	0503018026	1870-2000-375 B GASKET	01
16	0503018025	RING GUIDE	01
17	0503018024	RING BS	01

DRAWBAR ASSY 48



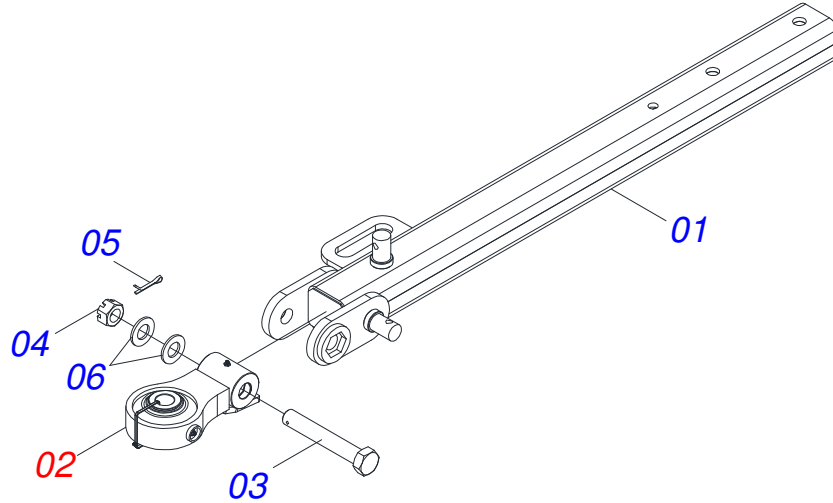
Item	Code	Description	QT
01	0521068827	OFFSET BAR	01
02	0501044359	DRAWBAR ASSY	01
03	0501010059	1.5/8 NUT	02
04	0501010334	1" X 7" BOLT	02
05	0503011438	SPRING WASHER	02
06	0503010002	1800 GREASE FITTING	02

DRAWBAR ASSY



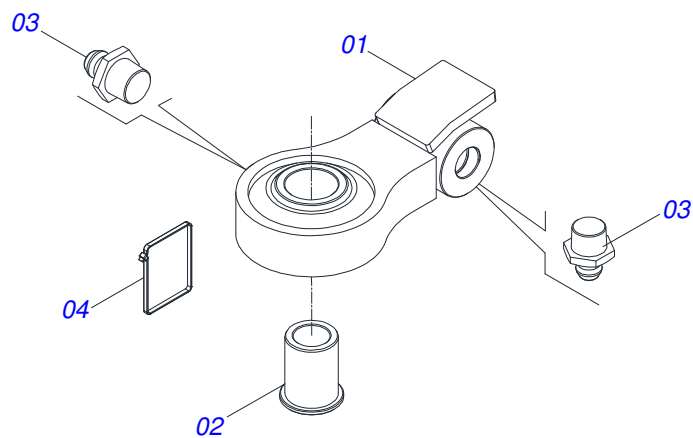
Item	Code	Description	QT
01	0521065405	OFFSET BAR	01
02	0501044359	DRAWBAR ASSY	01
03	0501010059	1.5/8 NUT	02
04	0501010334	1" X 7" BOLT	02
05	0503011438	SPRING WASHER	02
06	0503010002	1800 GREASE FITTING	02

DRAWBAR ASSY



Item	Code	Description	QT
01	0501066715	DRAWBAR ASSY	01
02	0521053943	HITCH	01
03	0501017291	1-1/2" X 8.1" BOLT	01
04	0501011301	1.1/2 UNC 6FPP 2.5/16 NUT	01
05	0503010010	1/4" X 2.1/2" COTTERPIN	01
06	0501017779	FLAT WASHER	02

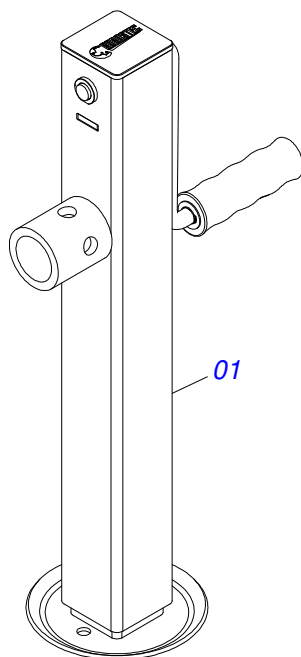
HITCH



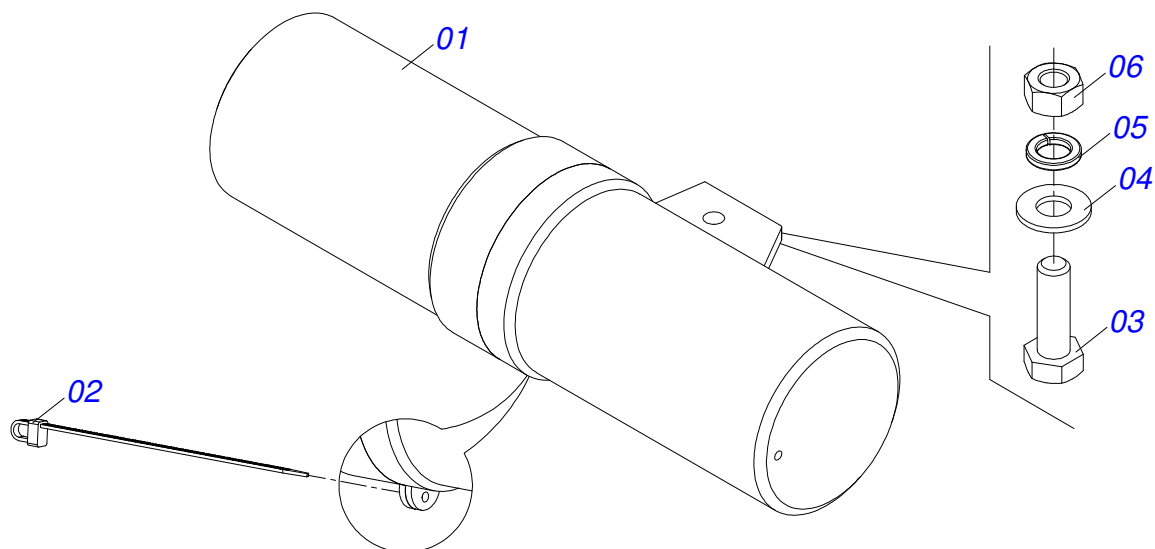
Item	Code	Description	QT
01	0521069166	HITCH	01
02	0581018413	SLEEVE	01
03	0503010002	1800 GREASE FITTING	02
04	0503016033	4,8 X 1,3 X 300 MM NYLON CLAMP	01

HEADER JACK

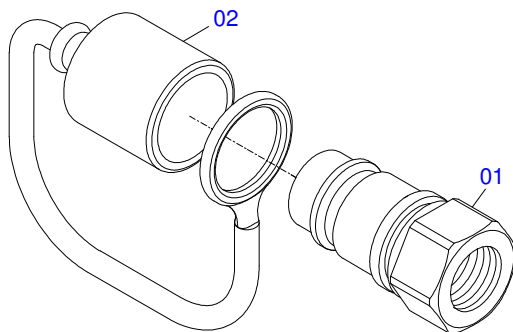
0503062157



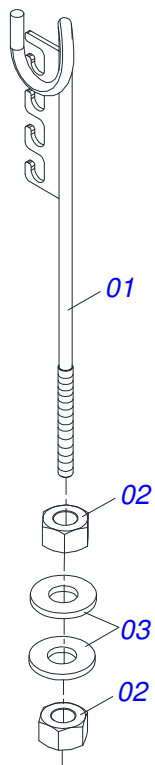
Item	Code	Description	QT
01	0503062157	HEADER JACK	01



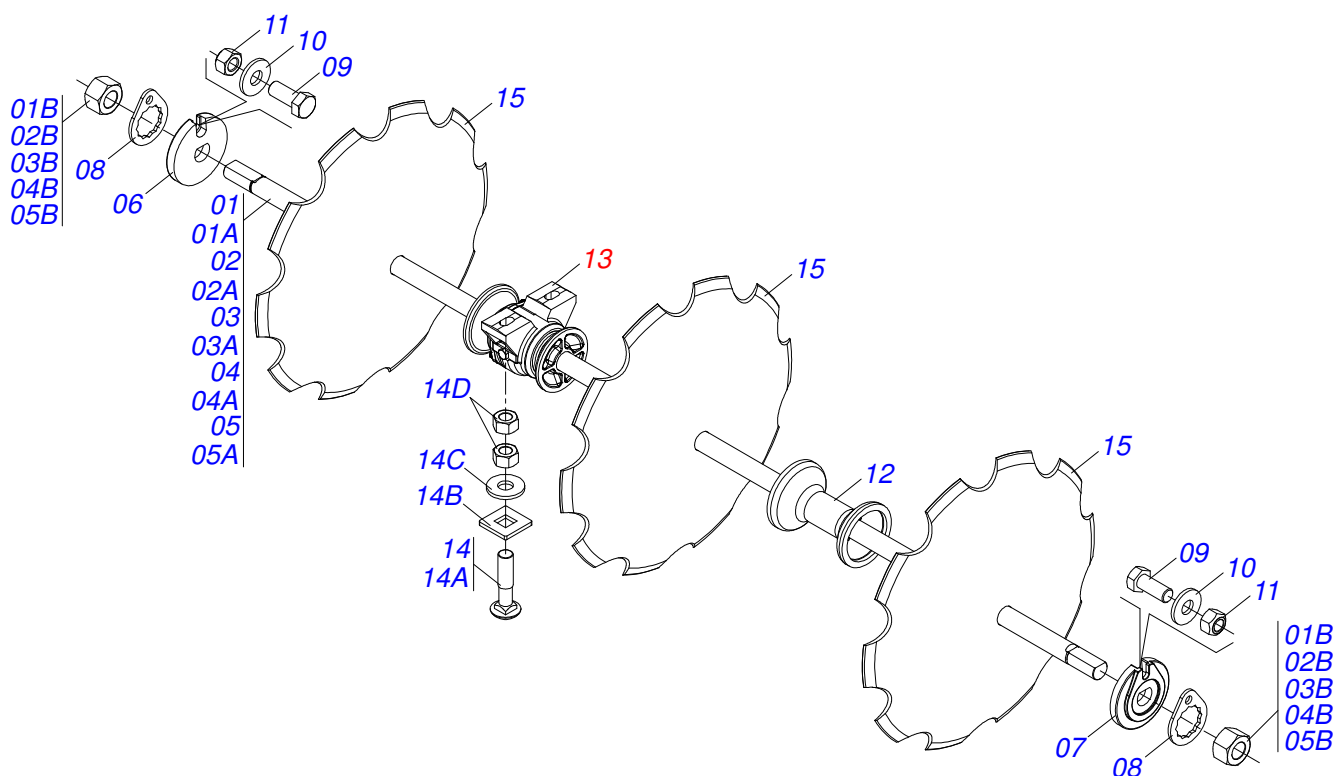
Item	Code	Description	QT
01	0503060100	HAND BOOK COMPARTMENT	01
02	0503010267	NYLON CLAMP	01
03	0503010363	5/16" X 1" BOLT	01
04	0501010694	FLAT WASHER	01
05	0503010179	SPRING WASHER	01
06	0503010337	5/16" NUT	01



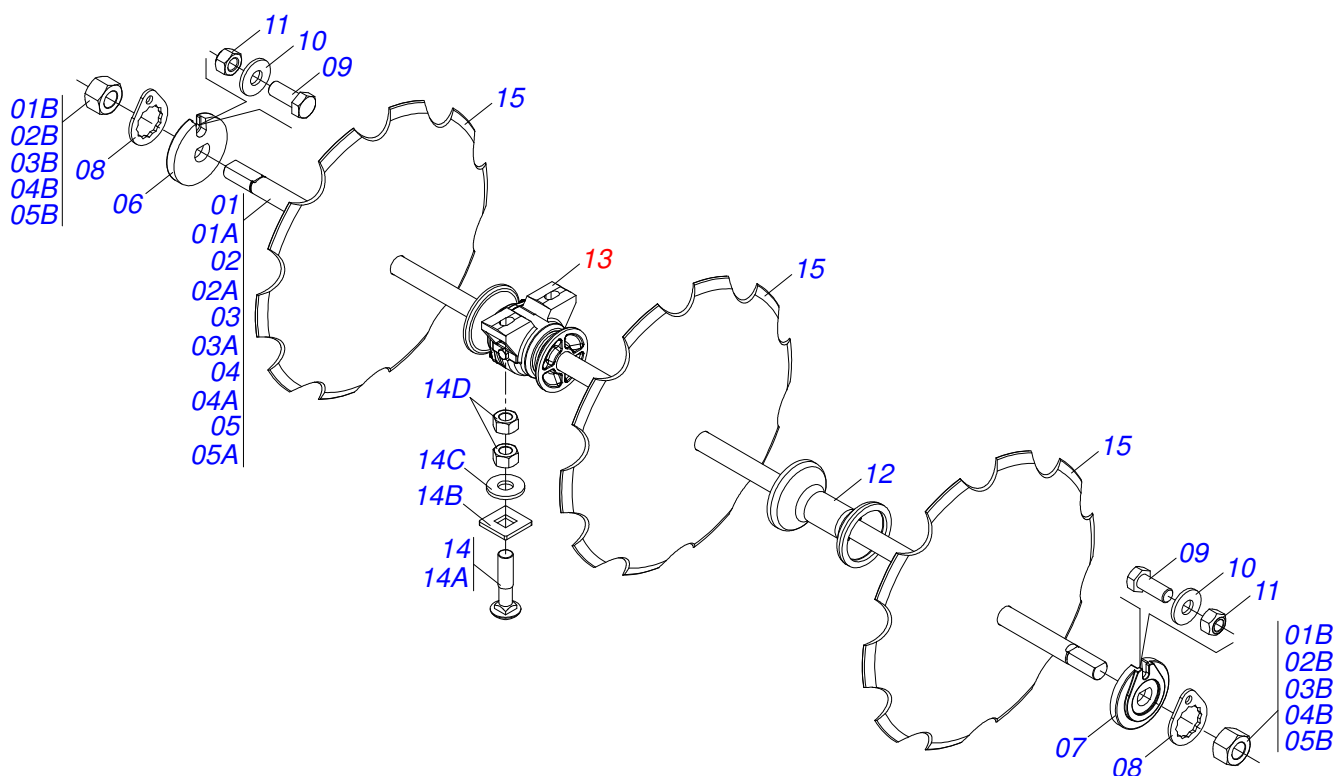
Item	Code	Description	QT
01	0503011627	QUICK CONNECTION (MALE) AGR 1/2 NPT	01
02	0503011882	QUICK CONNECTION COVER	01



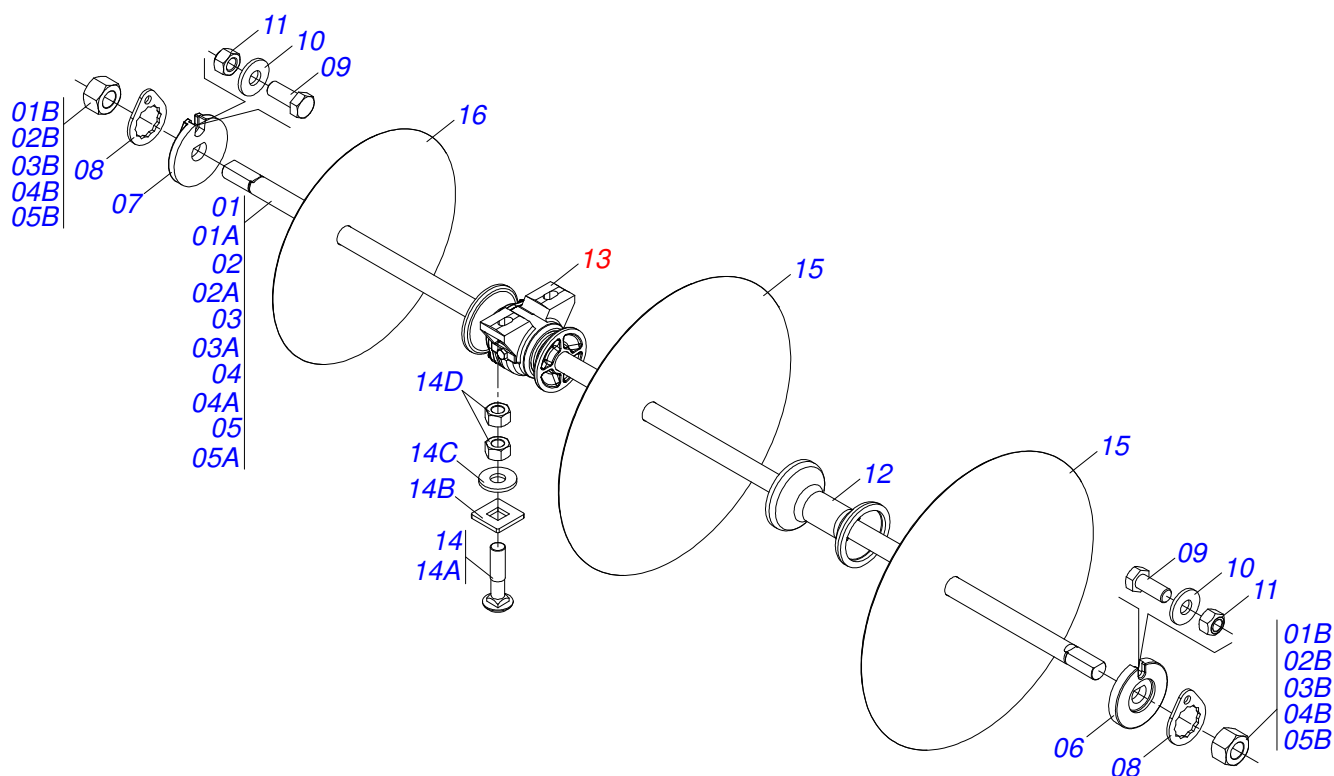
Item	Code	Description	QT
01	0511067334	HOSE SOPPORT ASSY	01
02	0503010014	3/4" NUT	02
03	0501010322	FLAT WASHER	02



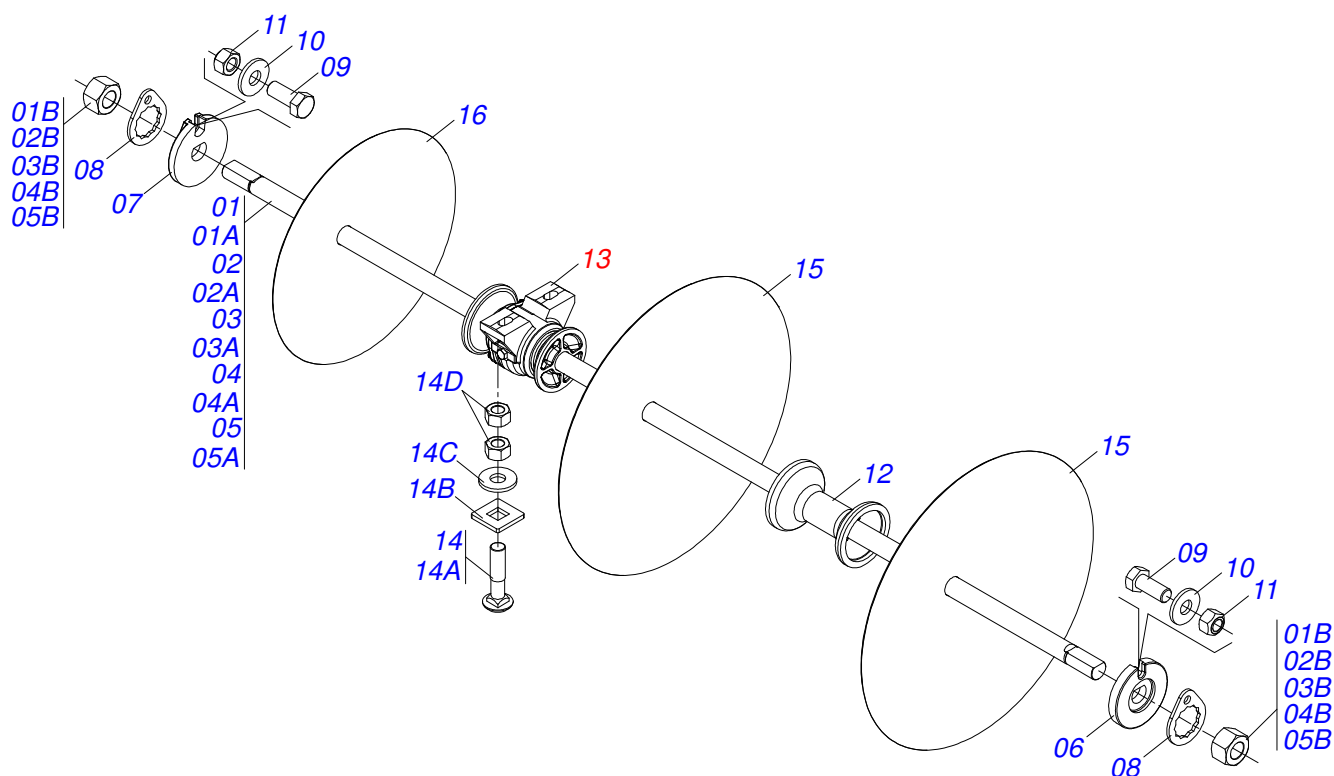
Item	Code	Description	048	052	056	060	064
01	0521045341	AXLE	002	000	000	000	000
01A	0511012017	AXLE	002	000	000	000	000
01B	0501010110	1.1/2" NUT	004	000	000	000	000
02	0511054527	AXIS 1.1/2" UNC X 2490 WITH NUTS	000	002	000	000	000
02A	0531019372	AXIS 1.1/2 6FPP X 2490	000	002	000	000	000
02B	0501010110	1.1/2" NUT	000	004	000	000	000
03	0511045023	1.1/2" X 2680 AXLE	000	000	002	000	000
03A	0551011002	1.1/2" X 2680 AXLE	000	000	002	000	000
03B	0501010110	1.1/2" NUT	000	000	004	000	000
04	0501059898	1.1/2 X 2880 AXLE ASSY	000	000	000	002	000
04A	0561016111	1.1/2 X 2880 AXLE	000	000	000	002	000
04B	0501010110	1.1/2" NUT	000	000	000	004	000
05	0501043697	1.1/2" X 1505 AXLE ASSY	000	000	000	000	004
05A	0511012601	1.1/2" X 1505 AXLE	000	000	000	000	004
05B	0501010110	1.1/2" NUT	000	000	000	000	008
06	0502010872	1-1/2" INNER AXLE WASHER	002	002	002	002	004
07	0502010871	1-1/2" EXTERNAL AXLE WASHER	002	002	002	002	004
08	0501018592	1.5/8" NUT LOCK	004	004	004	004	008
09	0503011267	5/8" X 1.1/2" BOLT	004	004	004	004	008
10	0501012140	FLAT WASHER	004	004	004	004	008
11	0503012412	HEX SELF ADJUSTING NUT 5/8 UNC S	004	004	004	004	008
12	0502010627	SPACER	016	018	020	022	020
13	0501047055	BEARING	006	006	006	006	008
14	0501058802	5/8 UNC X 2.3/4 BOLT ASSY	012	012	012	012	016
14A	0503015154	5/8" X 2.3/4" BOLT	012	012	012	012	016
14B	0501010947	5/8 NUT LOCK	012	012	012	012	016
14C	0501012140	FLAT WASHER	012	012	012	012	016
14D	0503010013	5/8" NUT	024	024	024	024	032
15	0602027341	DR20X3,5 C57AF02FR1.9/16 10R TATU	024	026	028	030	032



Item	Code	Description	068	072	076	080	084
01	0501046884	1.1/2 X 1705 AXLE W/NUT	002	004	000	000	000
01A	0501018720	1.1/2 X 1705 AXLE	002	004	000	000	000
01B	0501010110	1.1/2" NUT	004	008	000	000	000
02	0501043697	1.1/2" X 1505 AXLE ASSY	002	000	002	002	000
02A	0511012601	1.1/2" X 1505 AXLE	002	000	002	002	000
02B	0501010110	1.1/2" NUT	004	000	004	004	000
03	0511049630	1.1/2 AXIS	000	000	002	000	000
03A	0561019198	1.1/2 AXIS	000	000	002	000	000
03B	0501010110	1.1/2" NUT	000	000	004	000	000
04	0521045341	AXLE	000	000	000	002	000
04A	0511012017	AXLE	000	000	000	002	000
04B	0501010110	1.1/2" NUT	000	000	000	004	000
05	0501044105	1.1/2 X 1305 AXLE W/NUT	000	000	000	000	006
05A	0511011914	1.1/2 X 1305 AXLE	000	000	000	000	006
05B	0501010110	1.1/2" NUT	000	000	000	000	012
06	0502010872	1-1/2" INNER AXLE WASHER	004	004	004	004	006
07	0502010871	1-1/2" EXTERNAL AXLE WASHER	004	004	004	004	006
08	0501018592	1.5/8" NUT LOCK	008	008	008	008	012
09	0503011267	5/8" X 1.1/2" BOLT	008	008	008	008	012
10	0501012140	FLAT WASHER	008	008	008	008	012
11	0503012412	HEX SELF ADJUSTING NUT 5/8 UNC S	008	008	008	008	012
12	0502010627	SPACER	022	024	024	026	024
13	0501047055	BEARING	008	008	010	010	012
14	0501058802	5/8 UNC X 2.3/4 BOLT ASSY	016	016	020	020	024
14A	0503015154	5/8" X 2.3/4" BOLT	016	016	020	020	024
14B	0501010947	5/8 NUT LOCK	016	016	020	020	024
14C	0501012140	FLAT WASHER	016	016	020	020	024
14D	0503010013	5/8" NUT	016	016	040	040	048
15	0602027341	DR20X3,5 C57AF02FR1.9/16 10R TATU	034	000	038	040	042
15.	0602027356	DR20X4,5 C57AF02FR1.9/16 10REC TATU	000	036	000	000	000

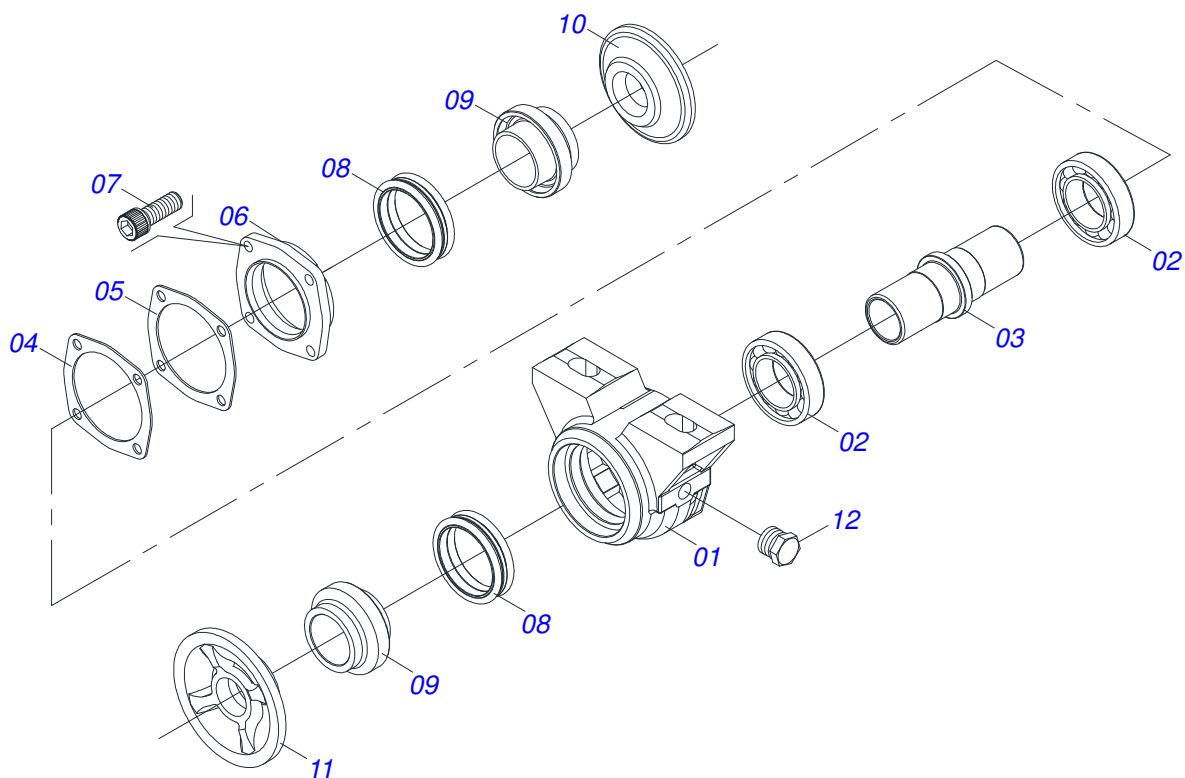


Item	Code	Description	048	052	056	060	064
01	0521045341	AXLE	002	000	000	000	000
01A	0511012017	AXLE	002	000	000	000	000
01B	0501010110	1.1/2" NUT	004	000	000	000	000
02	0511054527	AXIS 1.1/2" UNC X 2490 WITH NUTS	000	002	000	000	000
02A	0531019372	AXIS 1.1/2 6FPP X 2490	000	002	000	000	000
02B	0501010110	1.1/2" NUT	000	004	000	000	000
03	0511045023	1.1/2" X 2680 AXLE	000	000	002	000	000
03A	0551011002	1.1/2" X 2680 AXLE	000	000	002	000	000
03B	0501010110	1.1/2" NUT	000	000	004	000	000
04	0501059898	1.1/2 X 2880 AXLE ASSY	000	000	000	002	000
04A	0561016111	1.1/2 X 2880 AXLE	000	000	000	002	000
04B	0501010110	1.1/2" NUT	000	000	000	004	000
05	0501043697	1.1/2" X 1505 AXLE ASSY	000	000	000	000	004
05A	0511012601	1.1/2" X 1505 AXLE	000	000	000	000	004
05B	0501010110	1.1/2" NUT	000	000	000	000	008
06	0502010871	1-1/2" EXTERNAL AXLE WASHER	002	002	002	002	004
07	0502010872	1-1/2" INNER AXLE WASHER	002	002	002	002	004
08	0501018592	1.5/8" NUT LOCK	004	004	004	004	008
09	0503011267	5/8" X 1.1/2" BOLT	004	004	004	004	008
10	0501012140	FLAT WASHER	004	004	004	004	008
11	0503012412	HEX SELF ADJUSTING NUT 5/8 UNC S	004	004	004	004	008
12	0502010627	SPACER	016	018	020	022	020
13	0501047055	BEARING	006	006	006	006	008
14	0501058802	5/8 UNC X 2.3/4 BOLT ASSY	012	012	012	012	016
14A	0503015154	5/8" X 2.3/4" BOLT	012	012	012	012	016
14B	0501010947	5/8 NUT LOCK	012	012	012	012	016
14C	0501012140	FLAT WASHER	012	012	012	012	016
14D	0503010013	5/8" NUT	024	024	024	024	032
15	0601027302	DL20X3,5 C57AF02FR1.9/16 TATU	022	024	026	028	030
16	0601025033	DL18X3,5 C45AF02FR1.9/16"	002	002	002	002	002



Item	Code	Description	068	072	076	080	084
01	0501046884	1.1/2 X 1705 AXLE W/NUT	002	004	000	000	000
01A	0501018720	1.1/2 X 1705 AXLE	002	004	000	000	000
01B	0501010110	1.1/2" NUT	004	008	000	000	000
02	0501043697	1.1/2" X 1505 AXLE ASSY	002	000	002	002	000
02A	0511012601	1.1/2" X 1505 AXLE	002	000	002	002	000
02B	0501010110	1.1/2" NUT	004	000	004	004	000
03	0511049630	1.1/2 AXIS	000	000	002	000	000
03A	0561019198	1.1/2 AXIS	000	000	002	000	000
03B	0501010110	1.1/2" NUT	000	000	004	000	000
04	0521045341	AXLE	000	000	000	002	000
04A	0511012017	AXLE	000	000	000	002	000
04B	0501010110	1.1/2" NUT	000	000	000	004	000
05	0501044105	1.1/2 X 1305 AXLE W/NUT	000	000	000	000	006
05A	0511011914	1.1/2 X 1305 AXLE	000	000	000	000	006
05B	0501010110	1.1/2" NUT	000	000	000	000	012
06	0502010871	1-1/2" EXTERNAL AXLE WASHER	004	004	004	004	006
07	0502010872	1-1/2" INNER AXLE WASHER	004	004	004	004	006
08	0501018592	1.5/8" NUT LOCK	008	008	008	008	012
09	0503011267	5/8" X 1.1/2" BOLT	008	008	008	008	012
10	0501012140	FLAT WASHER	008	008	008	008	012
11	0503012412	HEX SELF ADJUSTING NUT 5/8 UNC S	008	008	008	008	012
12	0502010627	SPACER	022	024	024	026	024
13	0501047055	BEARING	008	008	010	010	012
14	0501058802	5/8 UNC X 2.3/4 BOLT ASSY	016	016	020	020	024
14A	0503015154	5/8" X 2.3/4" BOLT	016	016	020	020	024
14B	0501010947	5/8 NUT LOCK	016	016	020	020	024
14C	0501012140	FLAT WASHER	016	016	020	020	024
14D	0503010013	5/8" NUT	016	016	040	040	048
15	0601027302	DL20X3,5 C57AF02FR1.9/16 TATU	032	000	036	038	040
15.	0601027299	DL20X4,5 C57AF02FR1.9/16 TATU	000	034	000	000	000
16	0601025099	18" X 0.1" PLAIN DISC BLADE	000	002	000	000	000
16.	0601025033	DL18X3,5 C45AF02FR1.9/16"	002	000	002	002	002

BEARING



Item	Code	Description	QT
01	0502010540	HOUSING DM	01
02	0503010006	32210 ROLLER BEARING	02
03	0502040061	AXLE	01
04	0503030013	4.4" X 3.5" X 0.004" JOINT	03
05	0503030684	4.4" X 3.5" X 0.004" JOINT	02
06	0502020424	HOUSING CAP DM	01
07	0503010134	3/8" X 1" BOLT	04
08	0503030026	SEAL LP JB-253	02
09	0502010541	SEAL RETAINER	02
10	0502010604	OUTER FLANGE	01
11	0502010605	INNER FLANGE	01
12	0503010856	OIL PLUG	02



MARCHESAN IMPLEMENTOS E MÁQUINAS AGRÍCOLAS TATU S.A.

AV. Marchesan, 1979 - Post office box, 131 - CEP 15994-900 - Matão - SP - Brazil

Phone +55 16.3382-8282

(FAX Parts) + 55 16.3382. 8297 - (Export) + 55 16.3382.1003

e.mail: tatu@marchesan.com.br www.marchesan.com.br

Technical Publications: Elaboration

ALESSANDRA PATRICIA KAWAHARA CARRILI

Technical Publications: Revision

ALESSANDRA PATRICIA KAWAHARA CARRILI

Contact Catálogo:

E-mail = jgaspari@marchesan.com.br

**ORIGINAL PARTS
TATU**

