

HINGE TYPE OFFSET DISK HARROW

GNFM 48/52/56/60/64/68/72/76/80/84D - PA

Code: 0501092371
Series: S-0618
Revision: 00
Date Revision: DEZEMBRO/2020

PARTS CATALOGUE



MARCHESAN



PRODUCTS

Code	Description
0102330356	GNFM 48 X 20 X 3,50 DM MT PA S-0618
0102330357	GNFM 48 X 20 X 4,50 DM MT PA S-0618
0102330358	GNFM 48 X 22 X 3,50 DM MT PA S-0618
0102330359	GNFM 48 X 22 X 4,50 DM MT PA S-0618
0102330360	GNFM 48 X 24 X 4,50 DM MT PA S-0618
0102330371	GNFM 52 X 20 X 3,50 DM MT PA S-0618
0102330372	GNFM 52 X 20 X 4,50 DM MT PA S-0618
0102330373	GNFM 52 X 22 X 3,50 DM MT PA S-0618
0102330374	GNFM 52 X 22 X 4,50 DM MT PA S-0618
0102330375	GNFM 52 X 24 X 4,50 DM MT PA S-0618
0102330366	GNFM 56 X 20 X 3,50 DM MT PA S-0618
0102330367	GNFM 56 X 20 X 4,50 DM MT PA S-0618
0102330368	GNFM 56 X 22 X 3,50 DM MT PA S-0618
0102330369	GNFM 56 X 22 X 4,50 DM MT PA S-0618
0102330370	GNFM 56 X 24 X 4,50 DM MT PA S-0618
0102330351	GNFM 60 X 20 X 3,50 DM MT PA S-0618
0102330352	GNFM 60 X 20 X 4,50 DM MT PA S-0618
0102330353	GNFM 60 X 22 X 3,50 DM MT PA S-0618
0102330354	GNFM 60 X 22 X 4,50 DM MT PA S-0618
0102330355	GNFM 60 X 24 X 4,50 DM MT PA S-0618
0102330361	GNFM 64 X 20 X 3,50 DM MT PA S-0618
0102330362	GNFM 64 X 20 X 4,50 DM MT PA S-0618
0102330363	GNFM 64 X 22 X 3,50 DM MT PA S-0618
0102330364	GNFM 64 X 22 X 4,50 DM MT PA S-0618
0102330365	GNFM 64 X 24 X 4,50 DM MT PA S-0618
0102330346	GNFM 68 X 20 X 3,50 DM MT PA S-0618
0102330347	GNFM 68 X 20 X 4,50 DM MT PA S-0618
0102330348	GNFM 68 X 22 X 3,50 DM MT PA S-0618
0102330349	GNFM 68 X 22 X 4,50 DM MT PA S-0618
0102330350	GNFM 68 X 24 X 4,50 DM MT PA S-0618

ATTENTION: IMPORTANT

Marchesan S.A. reserves the right to improve and / or modify the technical features of its products, without obligation to do the same with those products already sold and without prior knowledge of the dealer or the consumer.



PRODUCTS

0102330001	GNFM 72 X 20 X 3,50 DM MT PA S-0618
0102330166	GNFM 72 X 20 X 4,50 DM MT PA S-0618
0102330283	GNFM 72 X 22 X 3,50 DM MT PA S-0618
0102330286	GNFM 72 X 22 X 4,50 DM MT PA S-0618
0102330345	GNFM 72 X 24 X 4,50 DM MT PA S-0618
0102330386	GNFM 76 X 20 X 3,50 DM MT PA S-0618
0102330387	GNFM 76 X 20 X 4,50 DM MT PA S-0618
0102330388	GNFM 76 X 22 X 3,50 DM MT PA S-0618
0102330389	GNFM 76 X 22 X 4,50 DM MT PA S-0618
0102330390	GNFM 76 X 24 X 4,50 DM MT PA S-0618
0102330381	GNFM 80 X 20 X 3,50 DM MT PA S-0618
0102330382	GNFM 80 X 20 X 4,50 DM MT PA S-0618
0102330383	GNFM 80 X 22 X 3,50 DM MT PA S-0618
0102330384	GNFM 80 X 22 X 4,50 DM MT PA S-0618
0102330385	GNFM 80 X 24 X 4,50 DM MT PA S-0618
0102330376	GNFM 84 X 20 X 3,50 DM MT PA S-0618
0102330377	GNFM 84 X 20 X 4,50 DM MT PA S-0618
0102330378	GNFM 84 X 22 X 3,50 DM MT PA S-0618
0102330397	GNFM 84 X 22 X 4,50 DM DR PA S-0618
0102330379	GNFM 84 X 22 X 4,50 DM MT PA S-0618
0102330380	GNFM 84 X 24 X 4,50 DM MT PA S-0618

ATTENTION: IMPORTANT

Marchesan S.A. reserves the right to improve and / or modify the technical features of its products, without obligation to do the same with those products already sold and without prior knowledge of the dealer or the consumer.

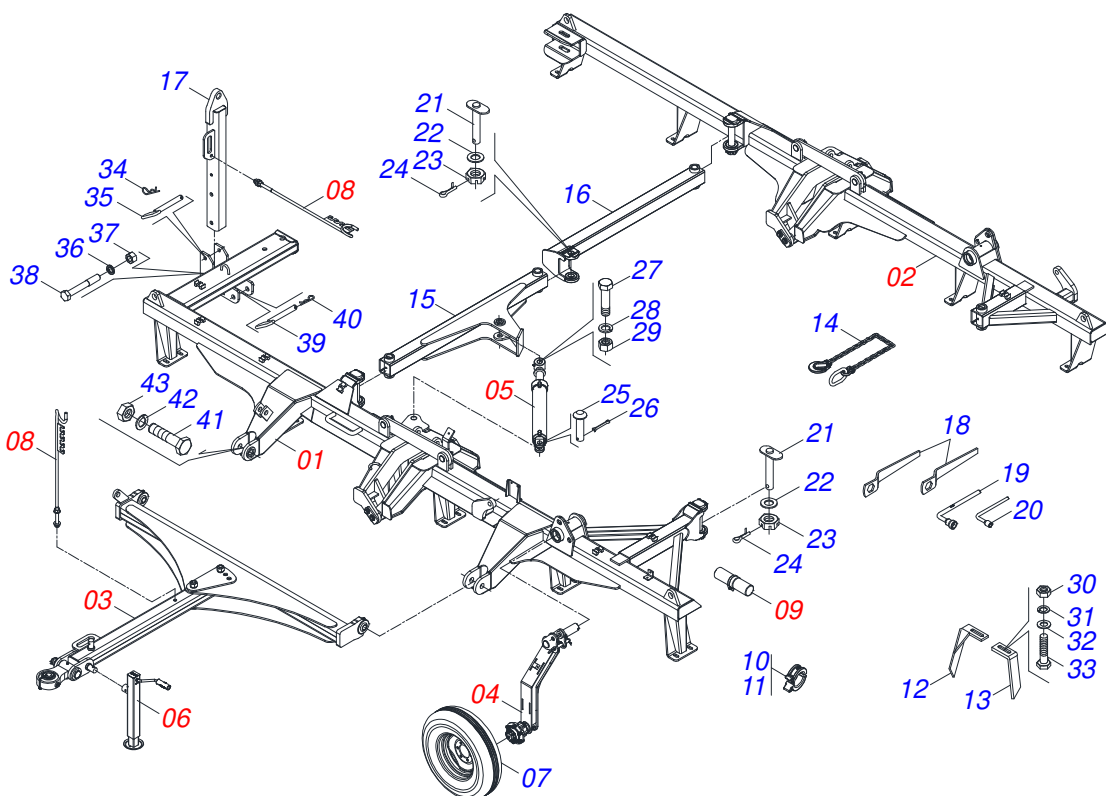


MARCHESAN

INDEX

0909094974	ASSY FRAME 48	1
0909094975	ASSY FRAME 52/56/60	2
0909094976	ASSY FRAME 64/68/72	3
0909094977	ASSY FRAME 76/80/84	4
0521053498	FRONT FRAME SEMI MOUNTED 48	5
0521053370	FRONT FRAME SEMI MOUNTED 52	6
0521053364	FRONT FRAME SEMI MOUNTED 56	7
0521053499	FRONT FRAME SEMI MOUNTED 60	8
0521053501	FRONT FRAME SEMI MOUNTED 64	9
0521053504	FRONT FRAME SEMI MOUNTED 68	10
0521053367	FRONT FRAME SEMI MOUNTED 72	11
0521054042	FRONT FRAME SEMI MOUNTED 76	12
0521054036	FRONT FRAME SEMI MOUNTED 80	13
0521054008	FRONT FRAME SEMI MOUNTED 84	14
0521053497	REAR FRAME 48	15
0521053371	REAR FRAME 52	16
0521053362	REAR FRAME 56	17
0521053500	REAR FRAME 60	18
0521053502	REAR FRAME 64	19
0521053503	REAR FRAME 68	20
0521053396	REAR FRAME 72	21
0521054043	REAR FRAME 76	22
0521054056	REAR FRAME 80	23
0521053984	REAR FRAME 84	24
0521048204	DRAWBAR ASSY 36 A 48D	25
0521044870	DRAWBAR ASSY	26
0501044359	DRAWBAR ASSY	27
0521053943	HITCH WITH ASSY ROTULA SUPPORT	28
0521048125	WHEELS ASSY	29
0521052217	ASSY WHEEL CUBE	30
0511058461	HYDRAULIC CYLINDER	31
0501040257	3/4 X 1200 HOSE HOLDER A	32
0521053485	SET DOOR HAND BOOK	33
0521042072	FRAME ASSY	34
0909094970	HYDRAULIC CIRCUIT	35
0909094924	FRONT GANG DISC - 48/52/56/60/64D	36
0909094925	FRONT GANG DISC - 68/72/76/80/84D	37
0909094926	REAR GANG DISC - 48/52/56/60/64D	38
0909094927	REAR GANG DISC - 68/72/76/80/84D	39
0501047055	BEARING	40

ASSY FRAME 48



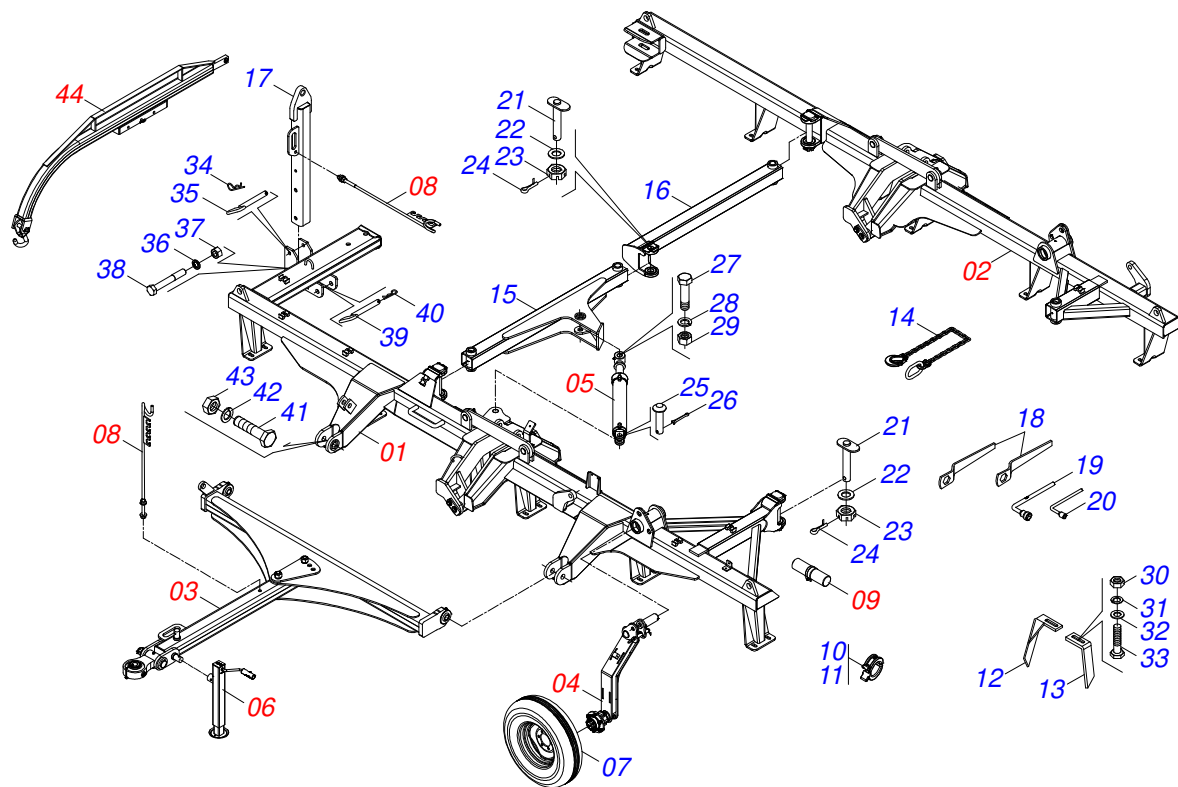
Item	Code	Description	See page	QT
01	0521053498	FRONT FRAME SEMI MOUNTED 48	5	01
02	0521053497	REAR FRAME 48	15	01
03	0521048204	DRAWBAR ASSY 36 A 48D	25	01
04	0521048125	WHEELS ASSY	29	02
05	0511058461	HYDRAULIC CYLINDER	31	01
06	0503062157	HEADER JACK		02
07	0503060094	WHEEL AND TIRE ASSY		02
08	0501040257	3/4 X 1200 HOSE HOLDER A	32	01
09	0521053485	SET DOOR HAND BOOK	33	01
10	0501047895	ROD STOP		06
11	0501047885	ROD STOP		04
12	0501063963	FRONT SCRAPER		17
13	0501063962	REAR SCRAPER		17
14	0503013150	1300 X 3/8 CHAIN		01
15	0521068803	FRONT STABILIZER BAR		01
16	0521068804	REAR STABILIZER BAR		01
17	0521067573	1000 GNFM TRANSPORT BAR		01
18	0501011432	1-1/2" AND 1-5/8 GANG BOLT WRENCH		02
19	0501061617	1" GANG BOLT WRENCH		01
20	0501068273	5/8" WRENCH		01
21	0531019497	1.5" X 9.2" ARTICULATED AXIS		01
22	0531019540	FLAT WASHER		01
23	0501011301	1.1/2 UNC 6FPP 2.5/16 NUT		01
24	0503010010	1/4" X 2.1/2" COTTERPIN		06
25	0521010779	31.75 X 95 COUPLING SHAFT		01
26	0503010523	1/4" X 2" COTTERPIN		01
27	0501011106	1-1/4" X 7" SCREW		01
28	0503010070	SPRING WASHER		01
29	0501010087	1.1/4" NUT		01
30	0503010060	1/2" NUT		68
31	0503010019	1/2" SPRING WASHER		68



ASSY FRAME 48

0909094974

Item	Code	Description	See page	QT
32	0511017302	FLAT WASHER		68
33	0503011082	C1/2" X 1.3/4" SCREW		68
34	0503030012	HAIR PIN		01
35	0521064088	LOCK AXLE		01
36	0503010012	1" SPRING WASHER		01
37	0503012182	1" NUT		01
38	0501010334	1" X 7" BOLT		01
39	0521067644	JUNCTION SHAFT		01
40	0503031035	HAIR PIN		01
41	0501010426	1-1/4" X 6" SCREW		01
42	0503010070	SPRING WASHER		01
43	0501010087	1.1/4" NUT		01



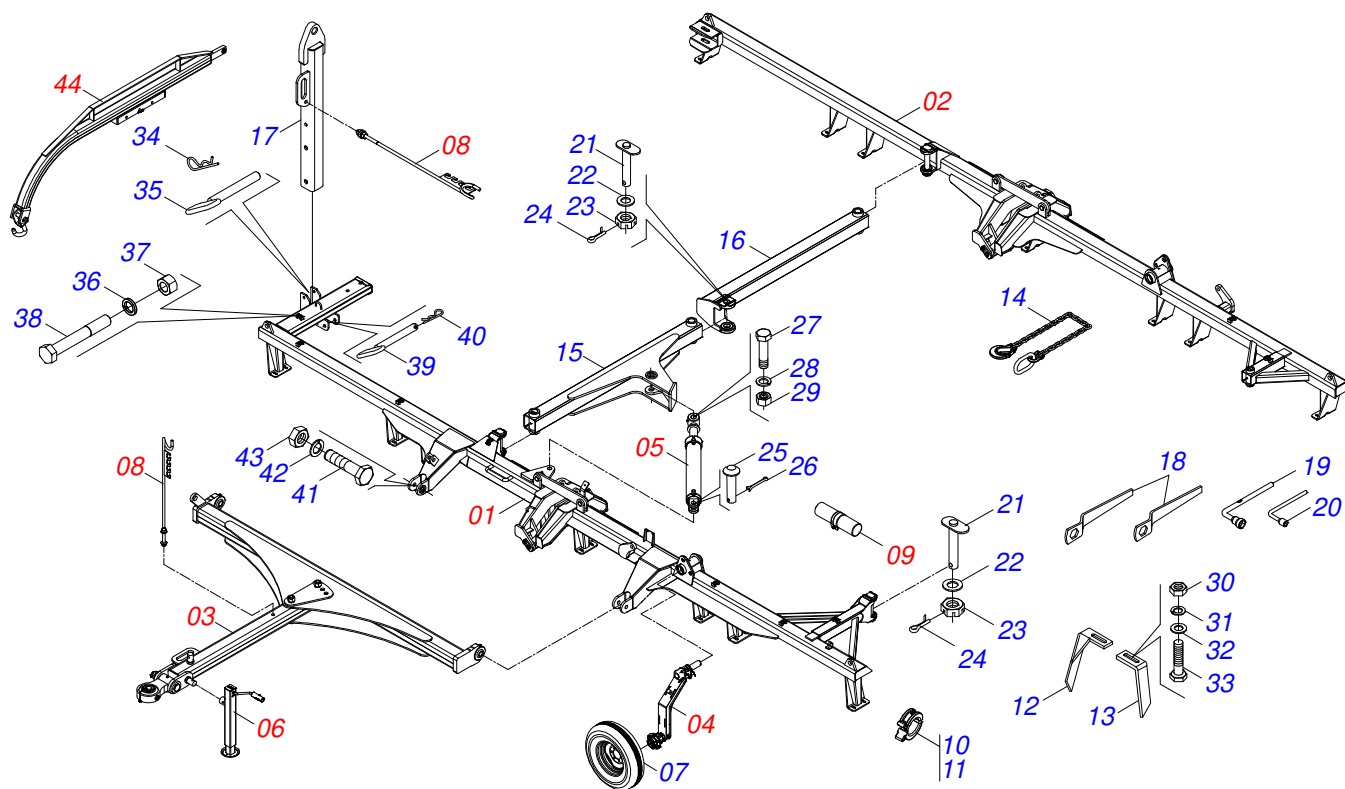
Item	Code	Description	See page	52	56	60
01	0521053370	FRONT FRAME SEMI MOUNTED 52	6	01	00	00
01..	0521053364	FRONT FRAME SEMI MOUNTED 56	7	00	01	00
01...	0521053499	FRONT FRAME SEMI MOUNTED 60	8	00	00	01
02	0521053371	REAR FRAME 52	16	01	00	00
02..	0521053362	REAR FRAME 56	17	00	01	00
02...	0521053500	REAR FRAME 60	18	00	00	01
03	0521044870	DRAWBAR ASSY	26	01	01	01
04	0521048125	WHEELS ASSY	29	02	02	02
05	0511058461	HYDRAULIC CYLINDER	31	01	01	01
06	0503062157	HEADER JACK		02	02	02
07	0503060091	L29.5"X0.63"-10L WHEEL AND		02	02	02
08	0501040257	3/4 X 1200 HOSE HOLDER A	32	01	01	01
09	0521053485	SET DOOR HAND BOOK	33	01	01	01
10	0501047895	ROD STOP		06	06	06
11	0501047885	ROD STOP		04	04	04
12	0501063963	FRONT SCRAPER		17	21	23
13	0501063962	REAR SCRAPER		17	21	23
14	0503013150	1300 X 3/8 CHAIN		01	01	01
15	0521068803	FRONT STABILIZER BAR		01	01	01
16	0521068804	REAR STABILIZER BAR		01	01	01
17	0521067573	1000 GNFM TRANSPORT BAR		01	01	01
18	0501011432	1-1/2" AND 1-5/8 GANG BOLT WRENCH		02	02	02
19	0501061617	1" GANG BOLT WRENCH		01	01	01
20	0501068273	5/8" WRENCH		01	01	01
21	0531019497	1.5" X 9.2" ARTICULATED AXIS		01	01	01
22	0531019540	FLAT WASHER		01	01	01
23	0501011301	1.1/2 UNC 6FPP 2.5/16 NUT		01	01	01
24	0503010010	1/4" X 2.1/2" COTTERPIN		04	04	04
25	0521010779	31.75 X 95 COUPLING SHAFT		01	01	01
26	0503010523	1/4" X 2" COTTERPIN		01	01	01
27	0501011106	1-1/4" X 7" SCREW		01	01	01



ASSY FRAME 52/56/60

0909094975

Item	Code	Description	See page	52	56	60
28	0503010070	SPRING WASHER		01	01	01
29	0501010087	1.1/4" NUT		01	01	01
30	0503010060	1/2" NUT		68	84	92
31	0503010019	1/2" SPRING WASHER		68	84	92
32	0511017302	FLAT WASHER		68	84	92
33	0503011082	C1/2" X 1.3/4" SCREW		68	84	92
34	0503030012	HAIR PIN		01	01	01
35	0521064088	LOCK AXLE		01	01	01
36	0503010012	1" SPRING WASHER		01	01	01
37	0503012182	1" NUT		01	01	01
38	0501010334	1" X 7" BOLT		01	01	01
39	0521067644	JUNCTION SHAFT		01	01	01
40	0503031035	HAIR PIN		01	01	01
41	0501010426	1-1/4" X 6" SCREW		01	01	01
42	0503010070	SPRING WASHER		01	01	01
43	0501010087	1.1/4" NUT		01	01	01
44	0521042072	FRAME ASSY	34	01	01	01



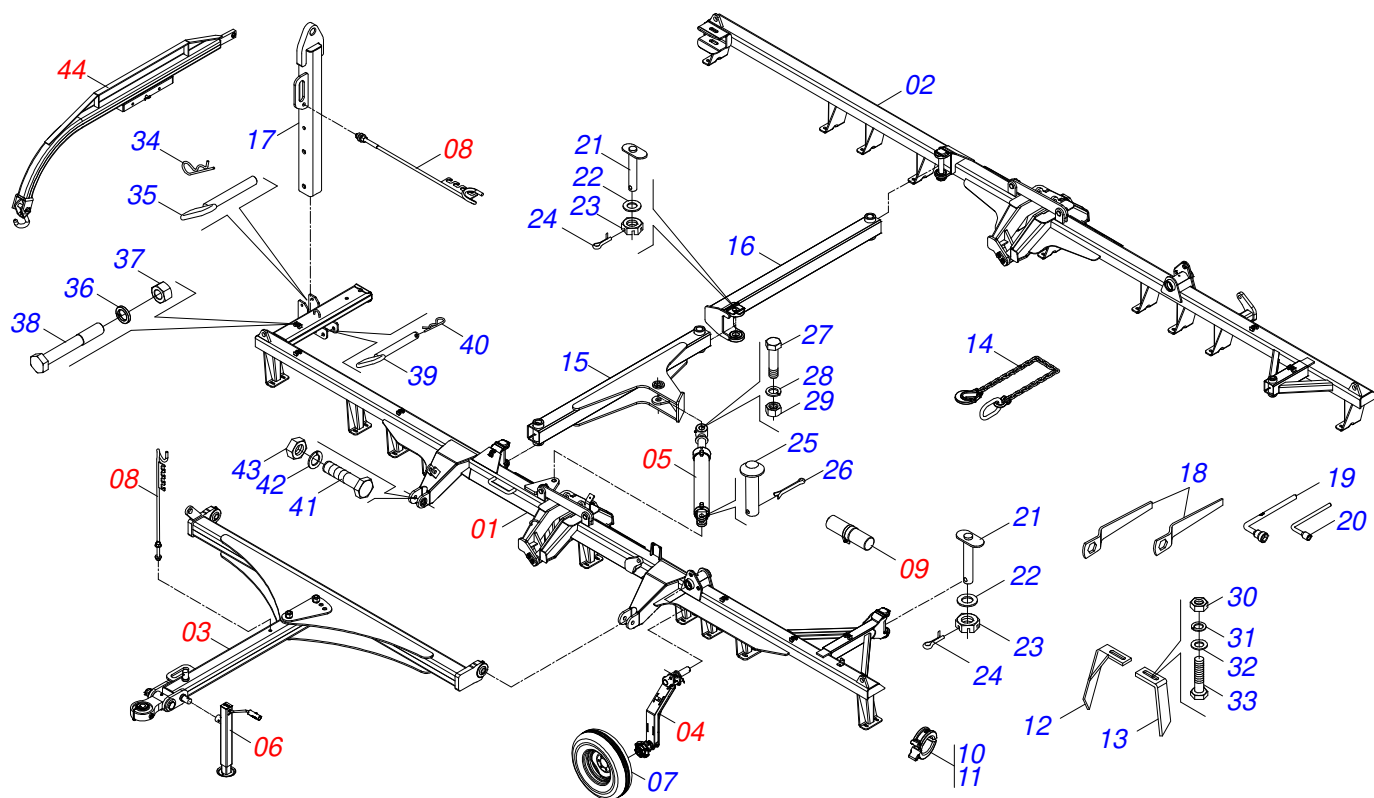
Item	Code	Description	See page	064 068 072
01	0521053501	FRONT FRAME SEMI MOUNTED 64	9	001 000 000
01.	0521053504	FRONT FRAME SEMI MOUNTED 68	10	000 001 000
01..	0521053367	FRONT FRAME SEMI MOUNTED 72	11	000 000 001
02	0521053502	REAR FRAME 64	19	001 000 000
02.	0521053503	REAR FRAME 68	20	000 001 000
02..	0521053396	REAR FRAME 72	21	000 000 001
03	0521044870	DRAWBAR ASSY	26	001 001 001
04	0521048125	WHEELS ASSY	29	002 002 002
05	0511058461	HYDRAULIC CYLINDER	31	001 001 001
06	0503062157	HEADER JACK		002 002 002
07	0503060091	L29.5"X0.63"-10L WHEEL AND		002 002 002
08	0501040257	3/4 X 1200 HOSE HOLDER A	32	001 001 001
09	0521053485	SET DOOR HAND BOOK	33	001 001 001
10	0501047895	ROD STOP		006 006 006
11	0501047885	ROD STOP		004 004 004
12	0501063963	FRONT SCRAPER		023 025 027
13	0501063962	REAR SCRAPER		023 025 027
14	0503013150	1300 X 3/8 CHAIN		001 001 001
15	0521068803	FRONT STABILIZER BAR		001 001 001
16	0521068804	REAR STABILIZER BAR		001 001 001
17	0521067573	1000 GNFM TRANSPORT BAR		001 001 001
18	0501011432	1-1/2" AND 1-5/8 GANG BOLT WRENCH		002 002 002
19	0501061617	1" GANG BOLT WRENCH		001 001 001
20	0501068273	5/8" WRENCH		001 001 001
21	0531019497	1.5" X 9.2" ARTICULATED AXIS		001 001 001
22	0531019540	FLAT WASHER		001 001 001
23	0501011301	1.1/2 UNC 6FPP 2.5/16 NUT		001 001 001
24	0503010010	1/4" X 2.1/2" COTTERPIN		004 004 004
25	0521010779	31.75 X 95 COUPLING SHAFT		001 001 001
26	0503010523	1/4" X 2" COTTERPIN		001 001 001
27	0501011106	1-1/4" X 7" SCREW		001 001 001



ASSY FRAME 64/68/72

0909094976

Item	Code	Description	See page	064 068 072
28	0503010070	SPRING WASHER		001 001 001
29	0501010087	1.1/4" NUT		001 001 001
30	0503010060	1/2" NUT		092 100 108
31	0503010019	1/2" SPRING WASHER		092 100 108
32	0511017302	FLAT WASHER		092 100 108
33	0503011082	C1/2" X 1.3/4" SCREW		092 100 108
34	0503030012	HAIR PIN		001 001 001
35	0521064088	LOCK AXLE		001 001 001
36	0503010012	1" SPRING WASHER		001 001 001
37	0503012182	1" NUT		001 001 001
38	0501010334	1" X 7" BOLT		001 001 001
39	0521067644	JUNCTION SHAFT		001 001 001
40	0503031035	HAIR PIN		001 001 001
41	0501010426	1-1/4" X 6" SCREW		001 001 001
42	0503010070	SPRING WASHER		001 001 001
43	0501010087	1.1/4" NUT		001 001 001
44	0521042072	FRAME ASSY	34	001 001 001



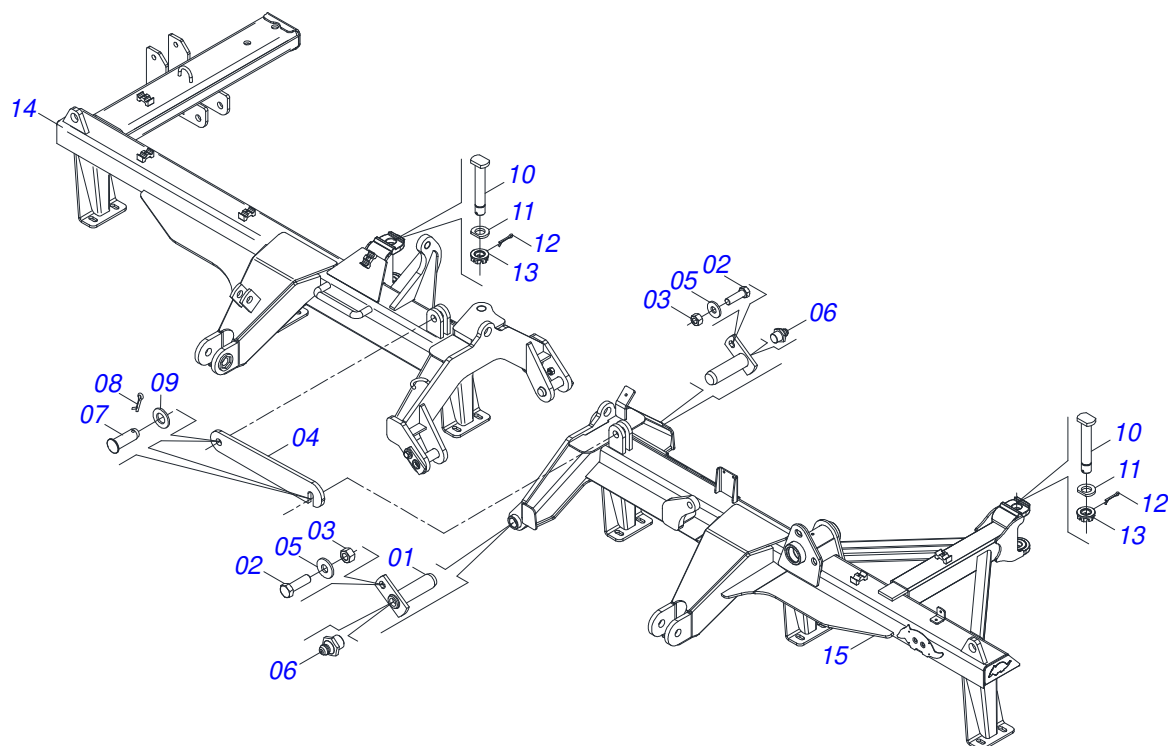
Item	Code	Description	See page	076 080 084
01	0521054042	FRONT FRAME SEMI MOUNTED 76	12	001 000 000
01.	0521054036	FRONT FRAME SEMI MOUNTED 80	13	000 001 000
01..	0521054008	FRONT FRAME SEMI MOUNTED 84	14	000 000 001
02	0521054043	REAR FRAME 76	22	001 000 000
02.	0521054056	REAR FRAME 80	23	000 001 000
02..	0521053984	REAR FRAME 84	24	000 000 001
03	0521044870	DRAWBAR ASSY	26	001 001 001
04	0521048125	WHEELS ASSY	29	002 002 002
05	0511058461	HYDRAULIC CYLINDER	31	001 001 001
06	0503062157	HEADER JACK		002 002 002
07	0503060091	L29.5"X0.63"-10L WHEEL AND		002 002 002
08	0501040257	3/4 X 1200 HOSE HOLDER A	32	001 001 001
09	0521053516	ASSY PORT MANUAL INSTRUCCION		001 001 001
10	0501047895	ROD STOP		006 006 006
11	0501047885	ROD STOP		004 004 004
12	0501063963	FRONT SCRAPER		027 029 029
13	0501063962	REAR SCRAPER		027 029 029
14	0503013150	1300 X 3/8 CHAIN		001 001 001
15	0521068803	FRONT STABILIZER BAR		001 001 001
16	0521068804	REAR STABILIZER BAR		001 001 001
17	0521067573	1000 GNFM TRANSPORT BAR		001 001 001
18	0501011432	1-1/2" AND 1-5/8 GANG BOLT WRENCH		002 002 002
19	0501061617	1" GANG BOLT WRENCH		001 001 001
20	0501068273	5/8" WRENCH		001 001 001
21	0531019497	1.5" X 9.2" ARTICULATED AXIS		001 001 001
22	0531019540	FLAT WASHER		001 001 001
23	0501011301	1.1/2 UNC 6FPP 2.5/16 NUT		001 001 001
24	0503010571	1/4" X 1.1/2 COTTERPIN		004 004 004
25	0521010779	31.75 X 95 COUPLING SHAFT		001 001 001
26	0503010523	1/4" X 2" COTTERPIN		001 001 001
27	0501011106	1-1/4" X 7" SCREW		001 001 001



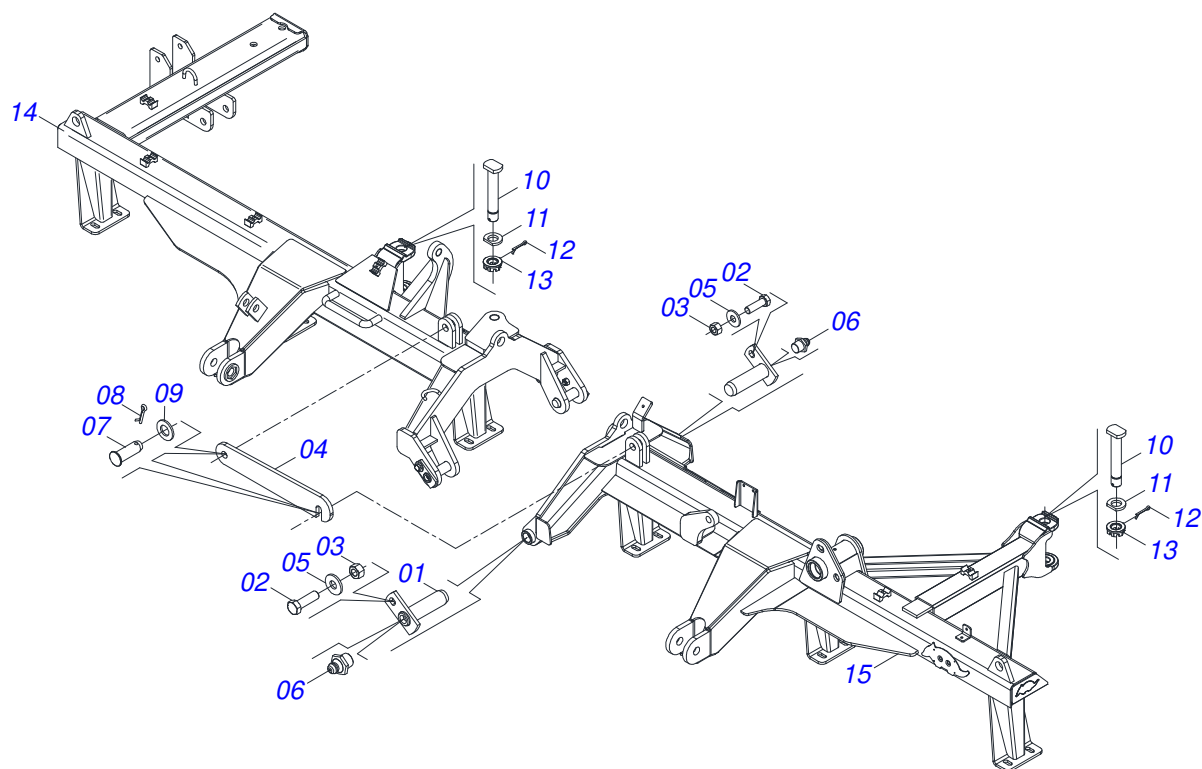
ASSY FRAME 76/80/84

0909094977

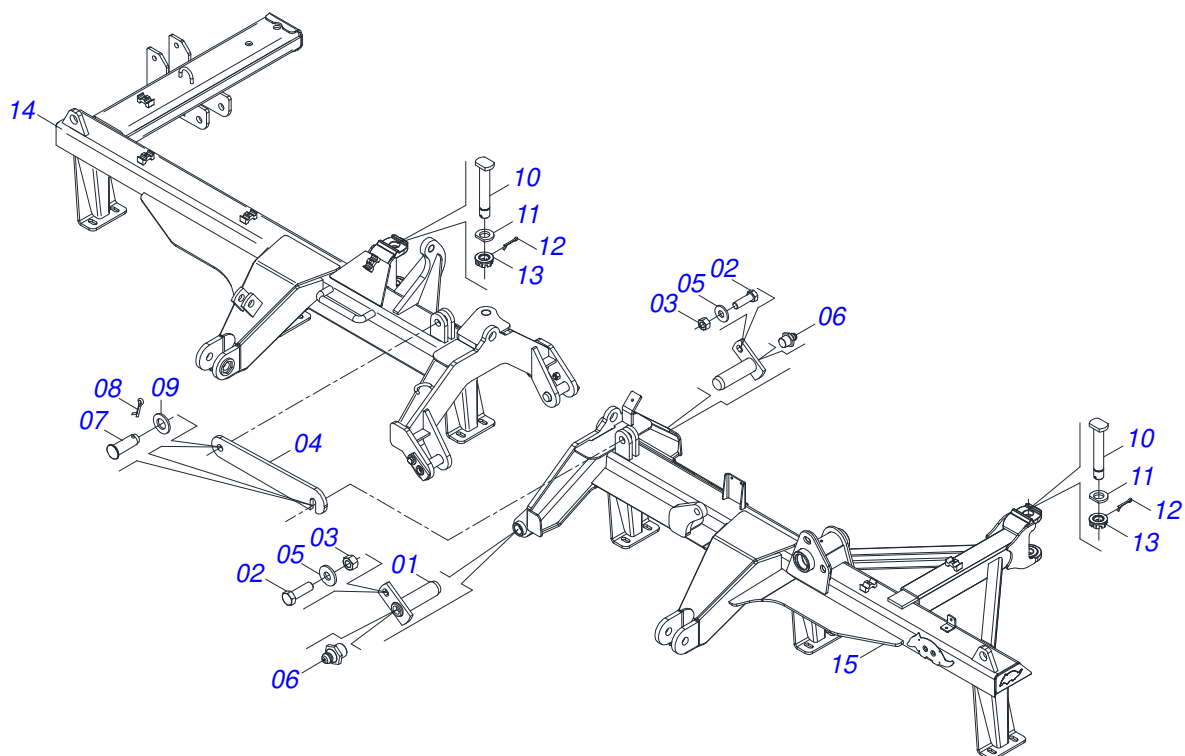
Item	Code	Description	See page	076 080 084
28	0503010070	SPRING WASHER		001 001 001
29	0501010087	1.1/4" NUT		001 001 001
30	0503010060	1/2" NUT		108 116 116
31	0503010019	1/2" SPRING WASHER		108 116 116
32	0511017302	FLAT WASHER		108 116 116
33	0503011082	C1/2" X 1.3/4" SCREW		108 116 116
34	0503030012	HAIR PIN		001 001 001
35	0521064088	LOCK AXLE		001 001 001
36	0503010012	1" SPRING WASHER		001 001 001
37	0503012182	1" NUT		001 001 001
38	0501010334	1" X 7" BOLT		001 001 001
39	0521067644	JUNCTION SHAFT		001 001 001
40	0503031035	HAIR PIN		001 001 001
41	0501010426	1-1/4" X 6" SCREW		001 001 001
42	0503010070	SPRING WASHER		001 001 001
43	0501010087	1.1/4" NUT		001 001 001
44	0521042072	FRAME ASSY	34	001 001 001



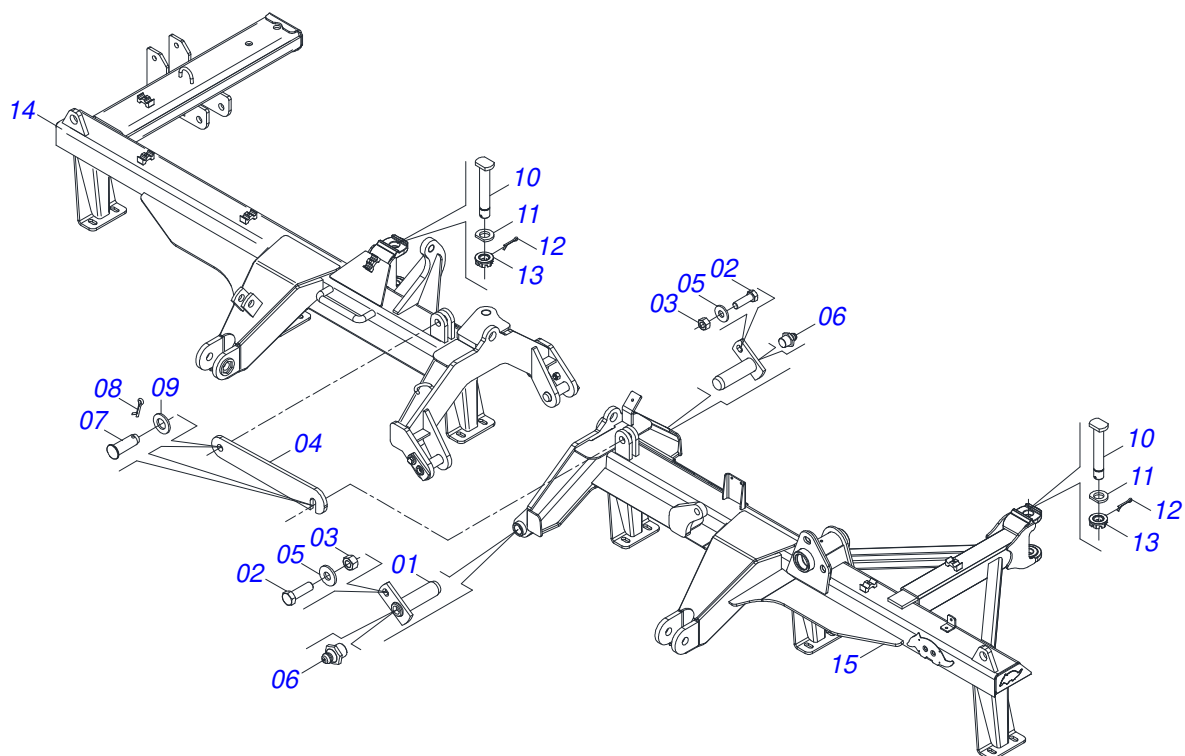
Item	Code	Description	See page	QT
001	0501063751	1.5" X 5.5" PIVOT SHAFT		02
002	0501010100	SCREW 5/8 UNC X 2 CS G.5 ZN		02
003	0503010013	5/8" NUT		02
004	0501018941	TRANSPORT LOCK		01
005	0501012140	FLAT WASHER		02
006	0503010002	1800 GREASE FITTING		02
007	0521010592	1.1" X 3.1" COUPLING SHAFT		02
008	0503010571	1/4" X 1.1/2 COTTERPIN		02
009	0511017480	FLAT WASHER		02
010	0531019497	1.5" X 9.2" ARTICULATED AXIS		02
011	0531019540	FLAT WASHER		02
012	0503010010	1/4" X 2.1/2" COTTERPIN		02
013	0501011301	1.1/2 UNC 6FPP 2.5/16 NUT		02
014	0521068828	RIGHT FRONT FRAME 48		01
015	0521068835	LEFT FRONT FRAME 48		01



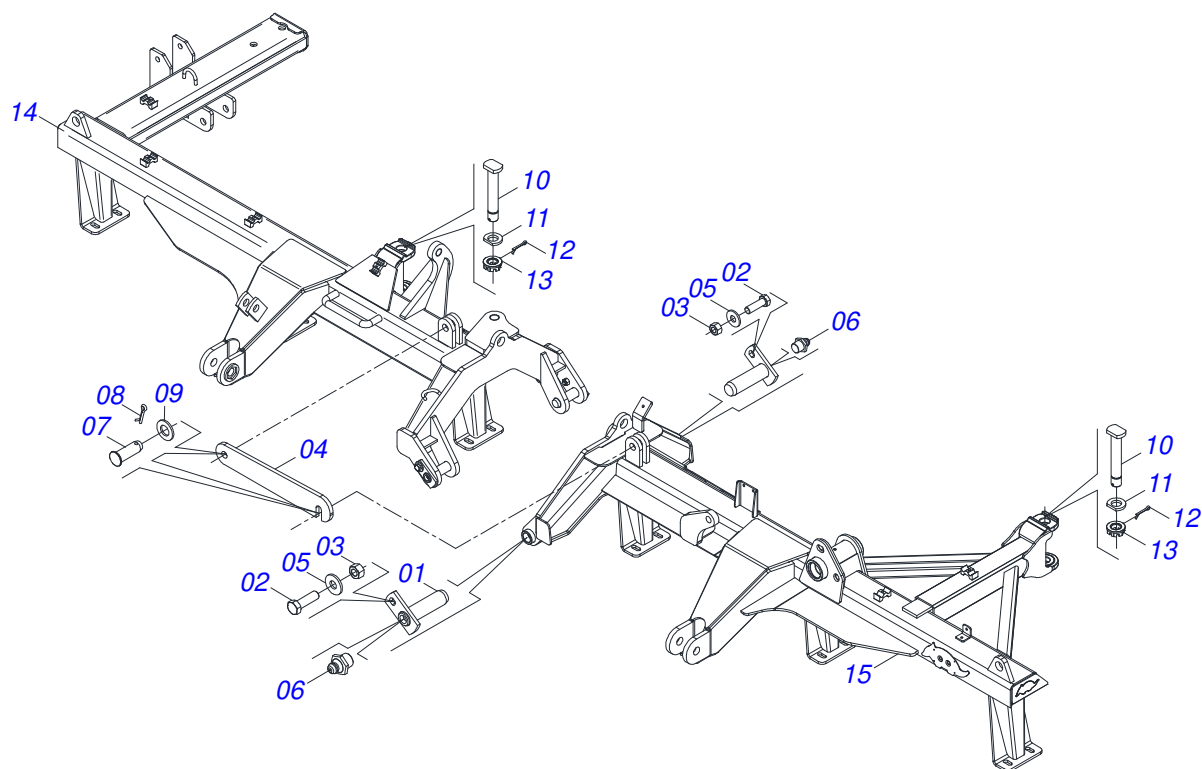
Item	Code	Description	See page	QT
001	0501063751	1.5" X 5.5" PIVOT SHAFT		02
002	0501010100	SCREW 5/8 UNC X 2 CS G.5 ZN		02
003	0503010013	5/8" NUT		02
004	0501018941	TRANSPORT LOCK		01
005	0501012140	FLAT WASHER		02
006	0503010002	1800 GREASE FITTING		02
007	0521010592	1.1" X 3.1" COUPLING SHAFT		02
008	0503010571	1/4" X 1.1/2" COTTERPIN		02
009	0511017480	FLAT WASHER		02
010	0531019497	1.5" X 9.2" ARTICULATED AXIS		02
011	0531019540	FLAT WASHER		02
012	0503010010	1/4" X 2.1/2" COTTERPIN		02
013	0501011301	1.1/2 UNC 6FPP 2.5/16 NUT		02
014	0521068913	RIGHT FRONT FRAME 52		01
015	0521068914	LEFT FRONT FRAME 52		01



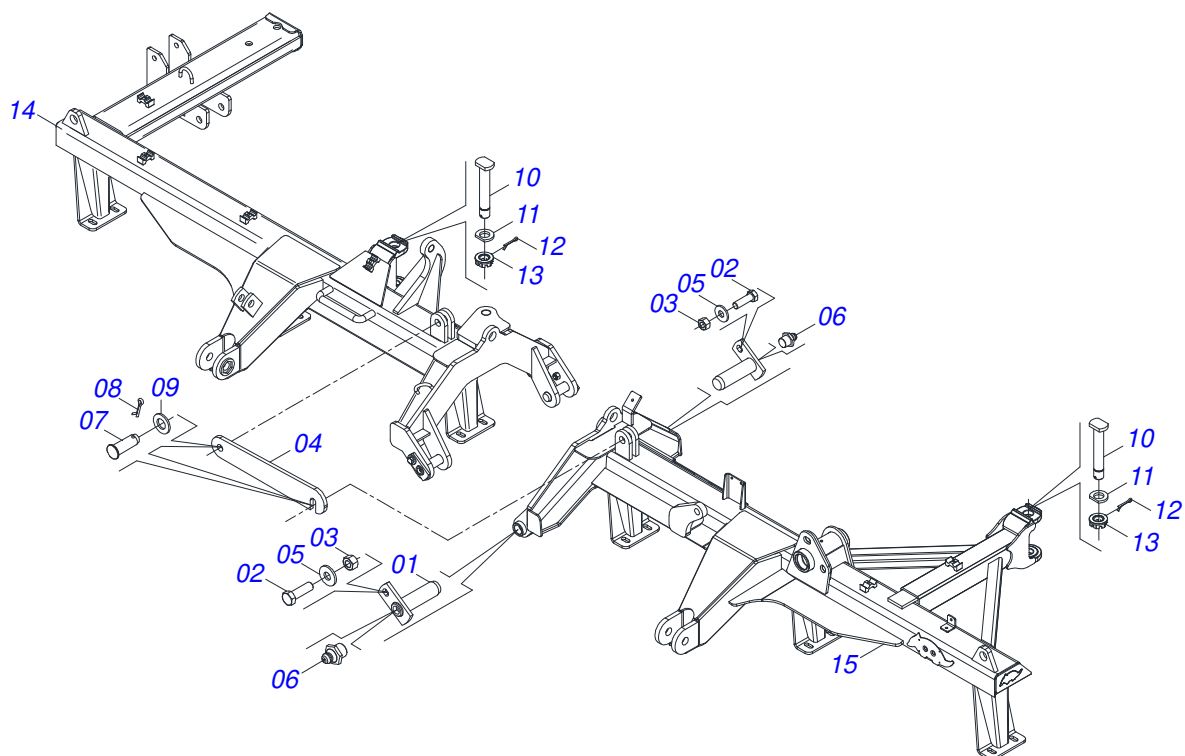
Item	Code	Description	See page	QT
001	0501063751	1.5" X 5.5" PIVOT SHAFT		02
002	0501010100	SCREW 5/8 UNC X 2 CS G.5 ZN		02
003	0503010013	5/8" NUT		02
004	0501018941	TRANSPORT LOCK		01
005	0501012140	FLAT WASHER		02
006	0503010002	1800 GREASE FITTING		02
007	0521010592	1.1" X 3.1" COUPLING SHAFT		02
008	0503010571	1/4" X 1.1/2" COTTERPIN		02
009	0511017480	FLAT WASHER		02
010	0531019497	1.5" X 9.2" ARTICULATED AXIS		02
011	0531019540	FLAT WASHER		02
012	0503010010	1/4" X 2.1/2" COTTERPIN		02
013	0501011301	1.1/2 UNC 6FPP 2.5/16 NUT		02
014	0521068897	RIGHT FRONT FRAME 56		01
015	0521068896	LEFT FRONT FRAME 56		01



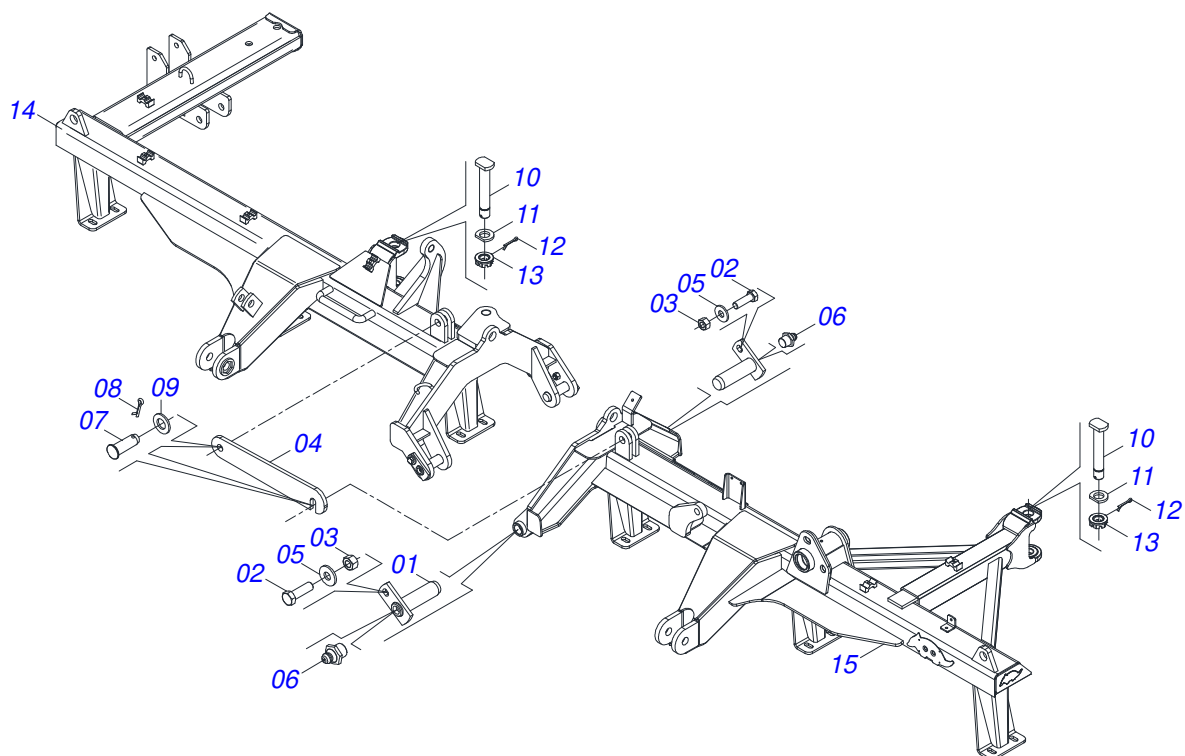
Item	Code	Description	See page	QT
001	0501063751	1.5" X 5.5" PIVOT SHAFT		02
002	0501010100	SCREW 5/8 UNC X 2 CS G.5 ZN		02
003	0503010013	5/8" NUT		02
004	0501018941	TRANSPORT LOCK		01
005	0501012140	FLAT WASHER		02
006	0503010002	1800 GREASE FITTING		02
007	0521010592	1.1" X 3.1" COUPLING SHAFT		02
008	0503010571	1/4" X 1.1/2" COTTERPIN		02
009	0511017480	FLAT WASHER		02
010	0531019497	1.5" X 9.2" ARTICULATED AXIS		02
011	0531019540	FLAT WASHER		02
012	0503010010	1/4" X 2.1/2" COTTERPIN		02
013	0501011301	1.1/2 UNC 6FPP 2.5/16 NUT		02
014	0521068805	RIGHT FRONT FRAME 60		01
015	0521068806	LEFT FRONT FRAME 60		01



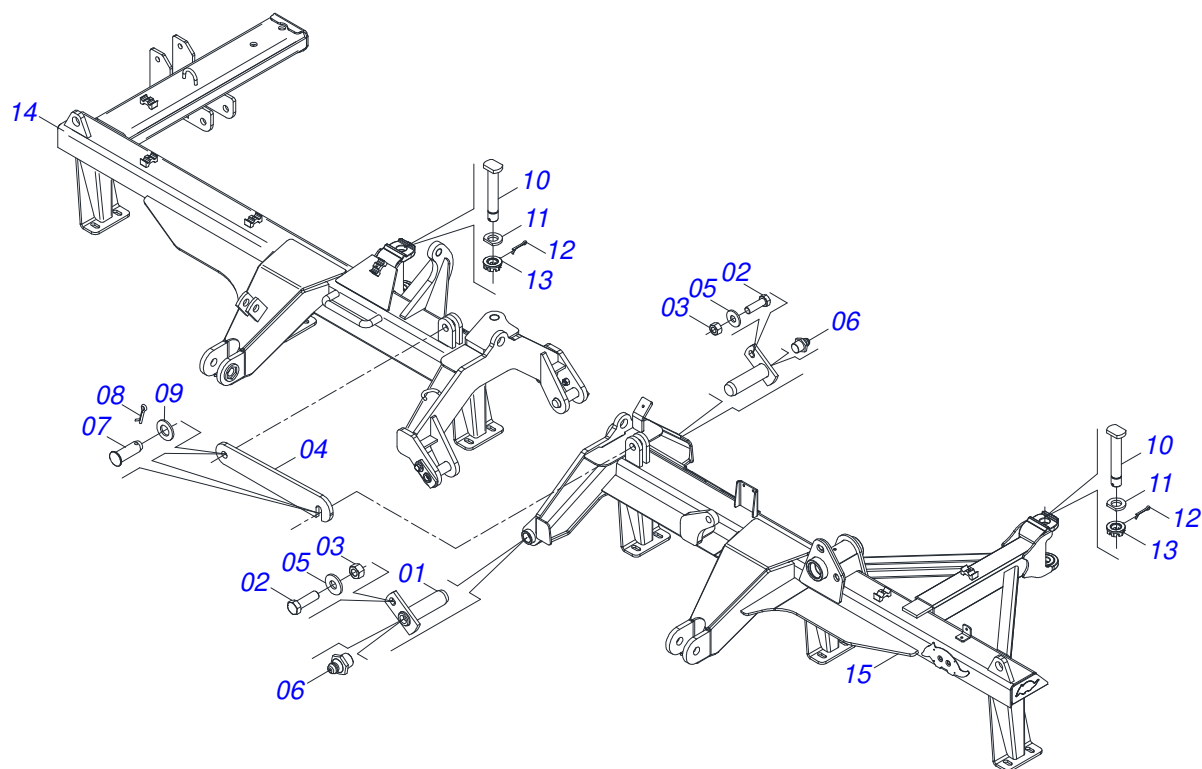
Item	Code	Description	See page	QT
001	0501063751	1.5" X 5.5" PIVOT SHAFT		02
002	0501010100	SCREW 5/8 UNC X 2 CS G.5 ZN		02
003	0503010013	5/8" NUT		02
004	0501018941	TRANSPORT LOCK		01
005	0501012140	FLAT WASHER		02
006	0503010002	1800 GREASE FITTING		02
007	0521010592	1.1" X 3.1" COUPLING SHAFT		02
008	0503010571	1/4" X 1.1/2" COTTERPIN		02
009	0511017480	FLAT WASHER		02
010	0531019497	1.5" X 9.2" ARTICULATED AXIS		02
011	0531019540	FLAT WASHER		02
012	0503010010	1/4" X 2.1/2" COTTERPIN		02
013	0501011301	1.1/2 UNC 6FPP 2.5/16 NUT		02
014	0521068786	RIGHT FRONT FRAME 64		01
015	0521068785	LEFT FRONT FRAME 64		01



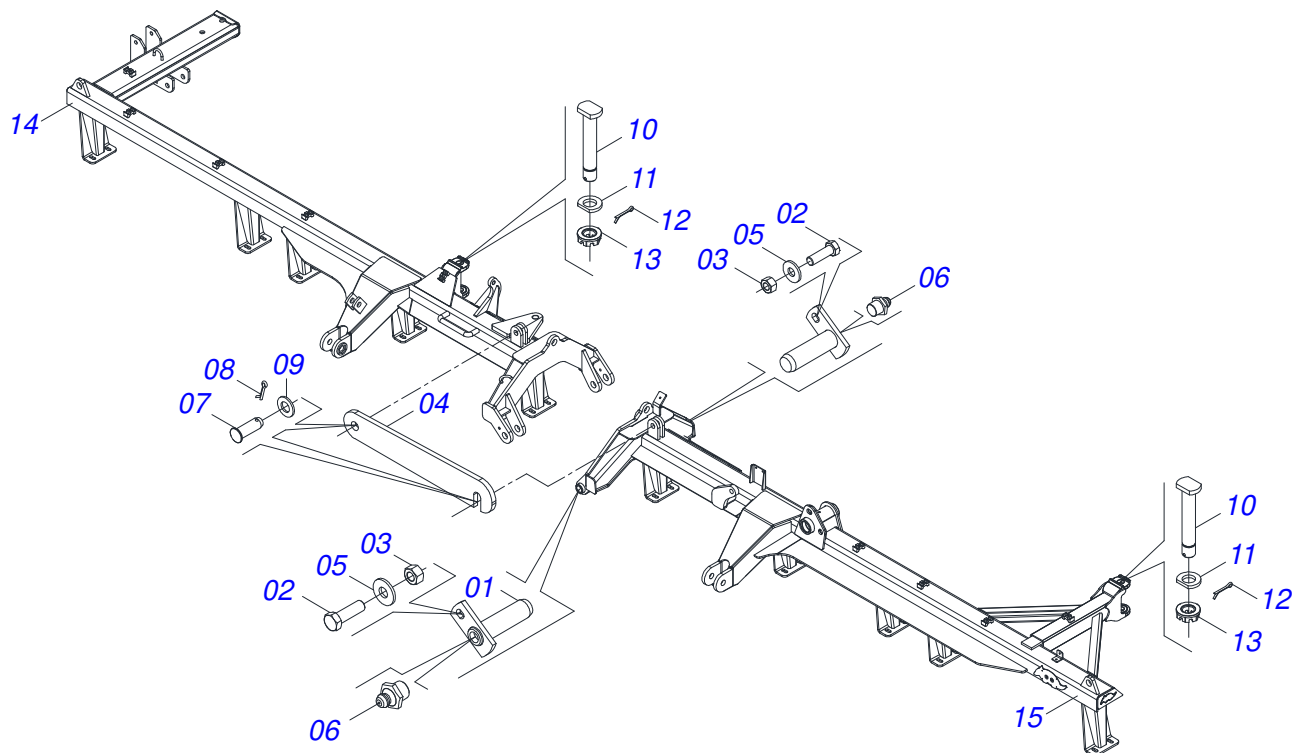
Item	Code	Description	See page	QT
001	0501063751	1.5" X 5.5" PIVOT SHAFT		02
002	0501010100	SCREW 5/8 UNC X 2 CS G.5 ZN		02
003	0503010013	5/8" NUT		02
004	0501018941	TRANSPORT LOCK		01
005	0501012140	FLAT WASHER		02
006	0503010002	1800 GREASE FITTING		02
007	0521010592	1.1" X 3.1" COUPLING SHAFT		02
008	0503010571	1/4" X 1.1/2" COTTERPIN		02
009	0511017480	FLAT WASHER		02
010	0531019497	1.5" X 9.2" ARTICULATED AXIS		02
011	0531019540	FLAT WASHER		02
012	0503010010	1/4" X 2.1/2" COTTERPIN		02
013	0501011301	1.1/2 UNC 6FPP 2.5/16 NUT		02
014	0521068777	RIGHT FRONT FRAME 68		01
015	0521068776	LEFT FRONT FRAME 68		01



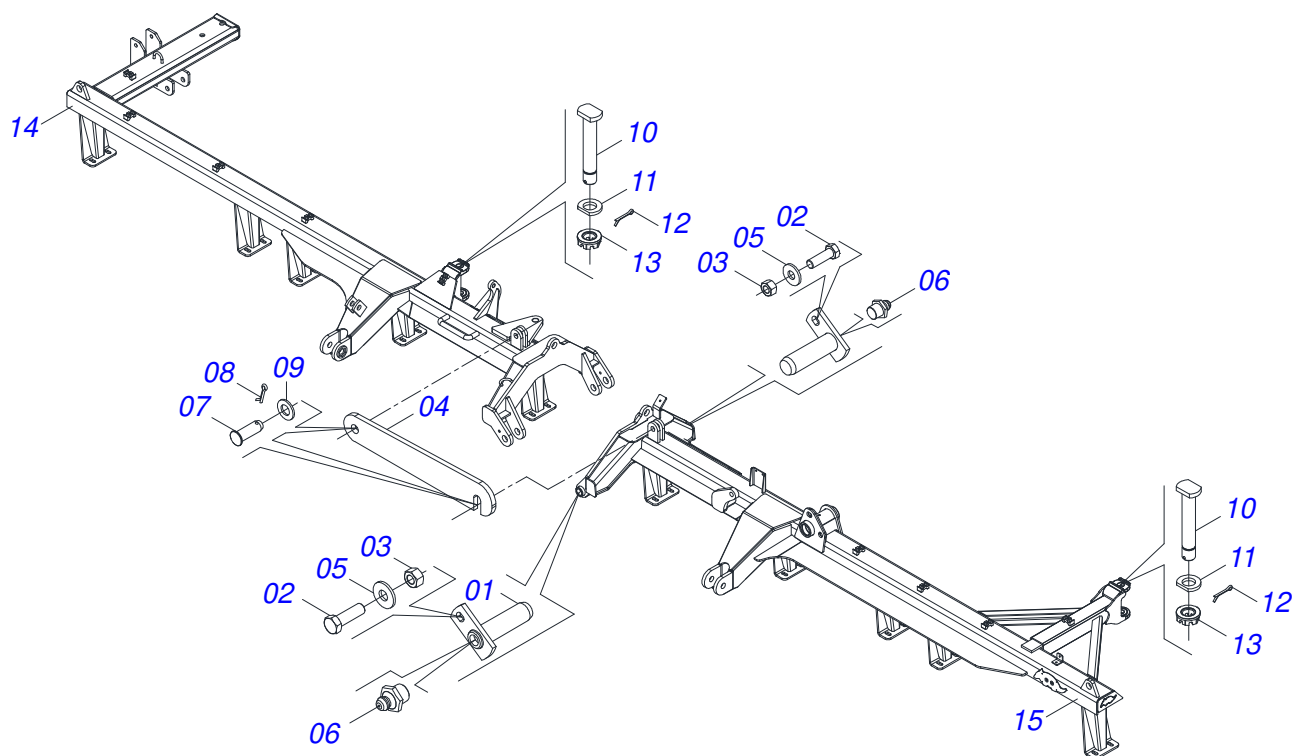
Item	Code	Description	See page	QT
001	0501063751	1.5" X 5.5" PIVOT SHAFT		02
002	0501010100	SCREW 5/8 UNC X 2 CS G.5 ZN		02
003	0503010013	5/8" NUT		02
004	0501018941	TRANSPORT LOCK		01
005	0501012140	FLAT WASHER		02
006	0503010002	1800 GREASE FITTING		02
007	0521010592	1.1" X 3.1" COUPLING SHAFT		02
008	0503010571	1/4" X 1.1/2" COTTERPIN		02
009	0511017480	FLAT WASHER		02
010	0531019497	1.5" X 9.2" ARTICULATED AXIS		02
011	0531019540	FLAT WASHER		02
012	0503010010	1/4" X 2.1/2" COTTERPIN		02
013	0501011301	1.1/2 UNC 6FPP 2.5/16 NUT		02
014	0521068771	RIGHT FRONT FRAME 72		01
015	0521068770	LEFT FRONT FRAME 72		01



Item	Code	Description	See page	QT
001	0501063751	1.5" X 5.5" PIVOT SHAFT		02
002	0501010100	SCREW 5/8 UNC X 2 CS G.5 ZN		02
003	0503010013	5/8" NUT		02
004	0501018941	TRANSPORT LOCK		01
005	0501012140	FLAT WASHER		02
006	0503010002	1800 GREASE FITTING		02
007	0521010592	1.1" X 3.1" COUPLING SHAFT		02
008	0503010571	1/4" X 1.1/2 COTTERPIN		02
009	0511017480	FLAT WASHER		02
010	0531019497	1.5" X 9.2" ARTICULATED AXIS		02
011	0531019540	FLAT WASHER		02
012	0503010010	1/4" X 2.1/2" COTTERPIN		02
013	0501011301	1.1/2 UNC 6FPP 2.5/16 NUT		02
014	0521069229	RIGHT FRONT FRAME 76		01
015	0521069213	LEFT FRONT FRAME 76		01

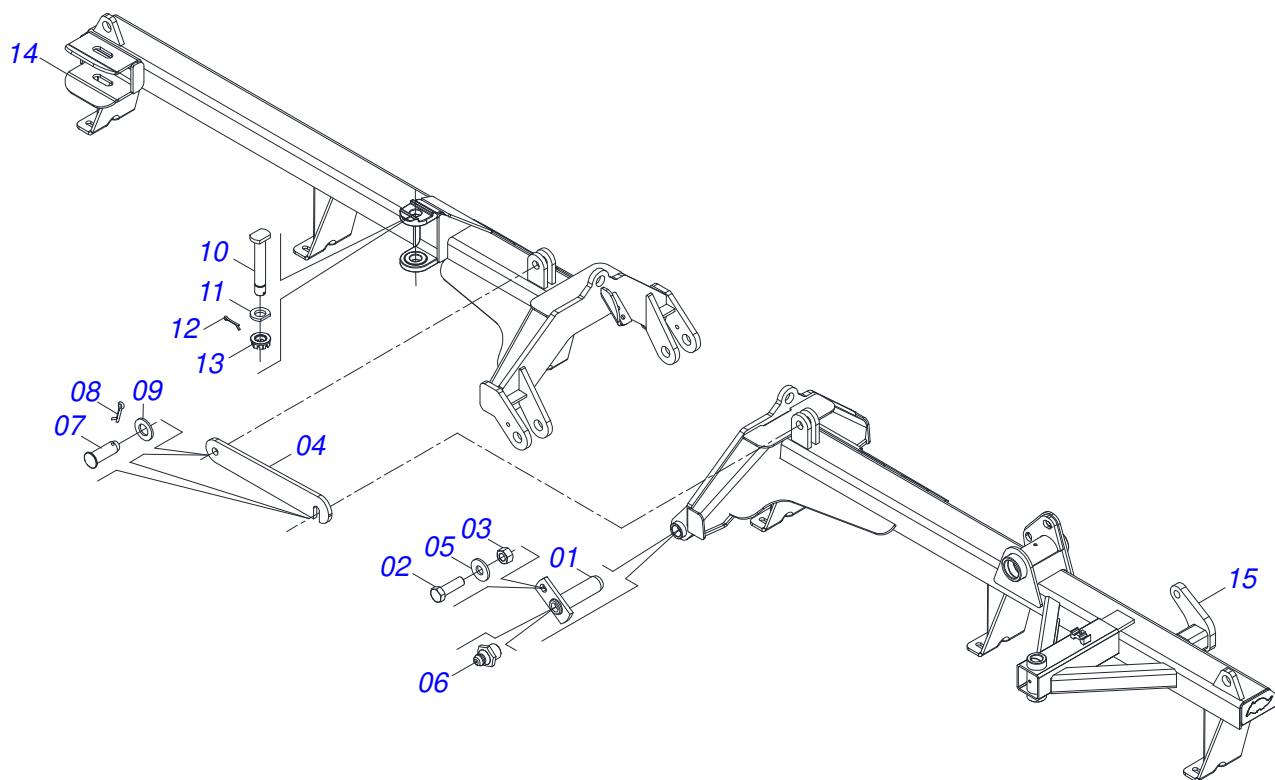


Item	Code	Description	See page	QT
001	0501063751	1.5" X 5.5" PIVOT SHAFT		02
002	0501010100	SCREW 5/8 UNC X 2 CS G.5 ZN		02
003	0503010013	5/8" NUT		02
004	0501018941	TRANSPORT LOCK		01
005	0501012140	FLAT WASHER		02
006	0503010002	1800 GREASE FITTING		02
007	0521010592	1.1" X 3.1" COUPLING SHAFT		02
008	0503010571	1/4" X 1.1/2" COTTERPIN		02
009	0511017480	FLAT WASHER		02
010	0531019497	1.5" X 9.2" ARTICULATED AXIS		02
011	0531019540	FLAT WASHER		02
012	0503010010	1/4" X 2.1/2" COTTERPIN		02
013	0501011301	1.1/2 UNC 6FPP 2.5/16 NUT		02
014	0521069220	RIGHT FRONT FRAME 80		01
015	0521069221	LEFT FRONT FRAME 80		01



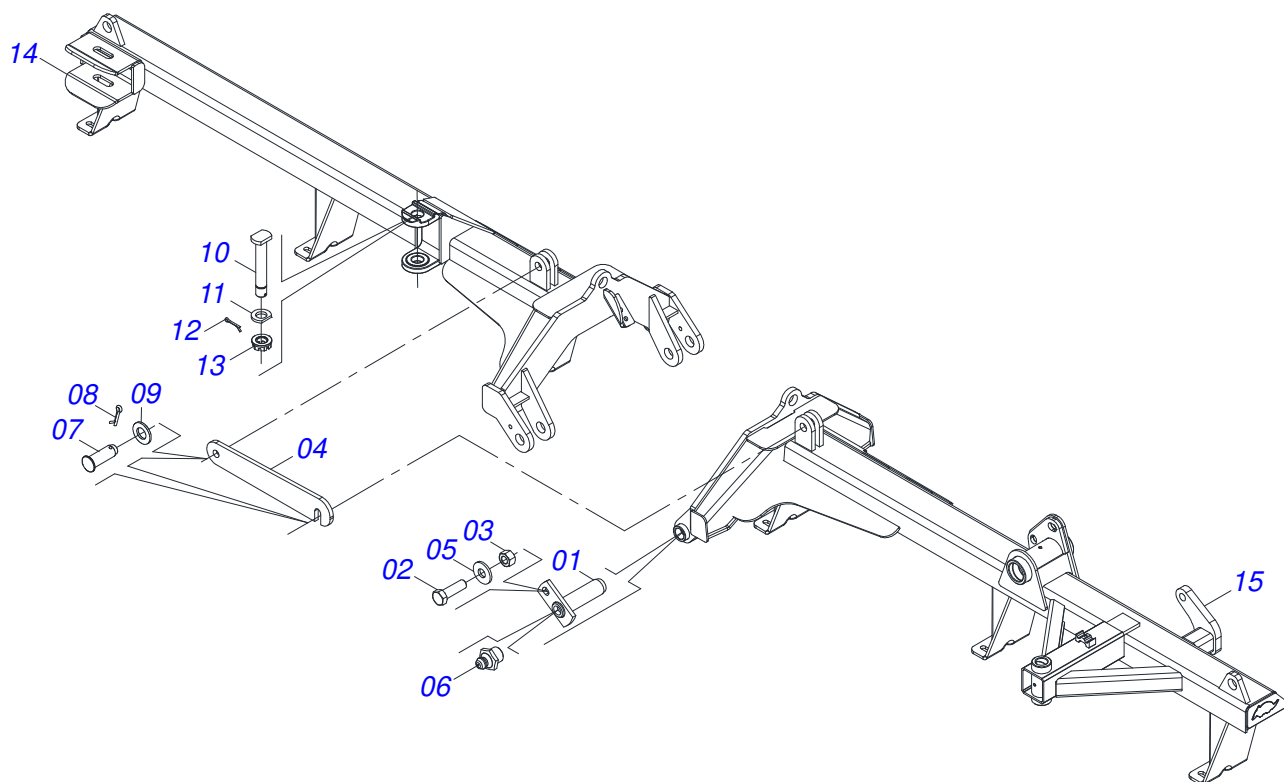
Item	Code	Description	See page	QT
001	0501063751	1.5" X 5.5" PIVOT SHAFT		02
002	0501010100	SCREW 5/8 UNC X 2 CS G.5 ZN		02
003	0503010013	5/8" NUT		02
004	0501018941	TRANSPORT LOCK		01
005	0501012140	FLAT WASHER		02
006	0503010002	1800 GREASE FITTING		02
007	0521010592	1.1" X 3.1" COUPLING SHAFT		02
008	0503010571	1/4" X 1.1/2" COTTERPIN		02
009	0511017480	FLAT WASHER		02
010	0531019497	1.5" X 9.2" ARTICULATED AXIS		02
011	0531019540	FLAT WASHER		02
012	0503010010	1/4" X 2.1/2" COTTERPIN		02
013	0501011301	1.1/2 UNC 6FPP 2.5/16 NUT		02
014	0521069183	RIGHT FRONT FRAME 84		01
015	0521069194	LEFT FRONT FRAME 84		01

REAR FRAME 48



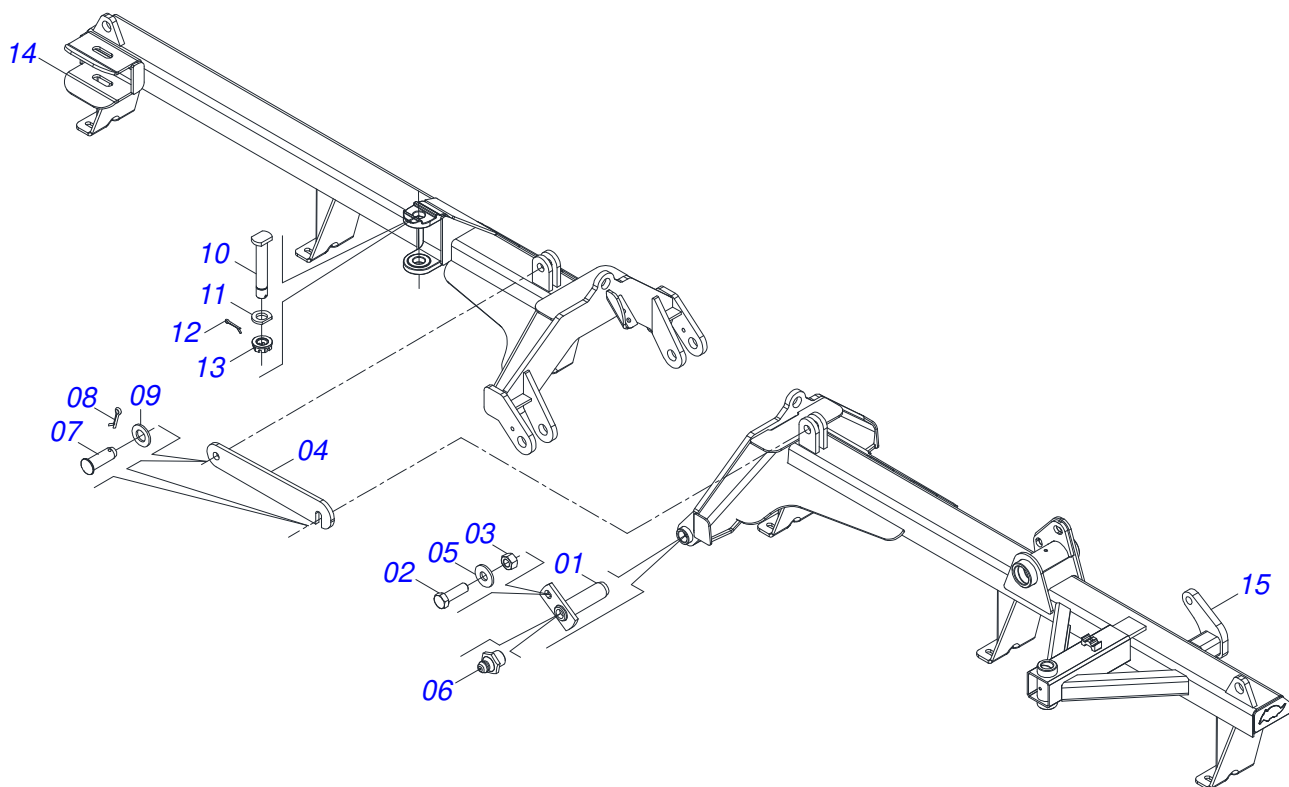
Item	Code	Description	See page	QT
001	0501063751	1.5" X 5.5" PIVOT SHAFT		02
002	0501010100	SCREW 5/8 UNC X 2 CS G.5 ZN		02
003	0503010013	5/8" NUT		02
004	0501018941	TRANSPORT LOCK		01
005	0501012140	FLAT WASHER		02
006	0503010002	1800 GREASE FITTING		02
007	0521010592	1.1" X 3.1" COUPLING SHAFT		02
008	0503010571	1/4" X 1.1/2" COTTERPIN		02
009	0511017480	FLAT WASHER		02
010	0531019497	1.5" X 9.2" ARTICULATED AXIS		02
011	0531019540	FLAT WASHER		02
012	0503010010	1/4" X 2.1/2" COTTERPIN		02
013	0501011301	1.1/2 UNC 6FPP 2.5/16 NUT		02
014	0521068830	RIGHT REAR FRAME 48		01
015	0521068829	LEFT REAR FRAME 48		01

REAR FRAME 52



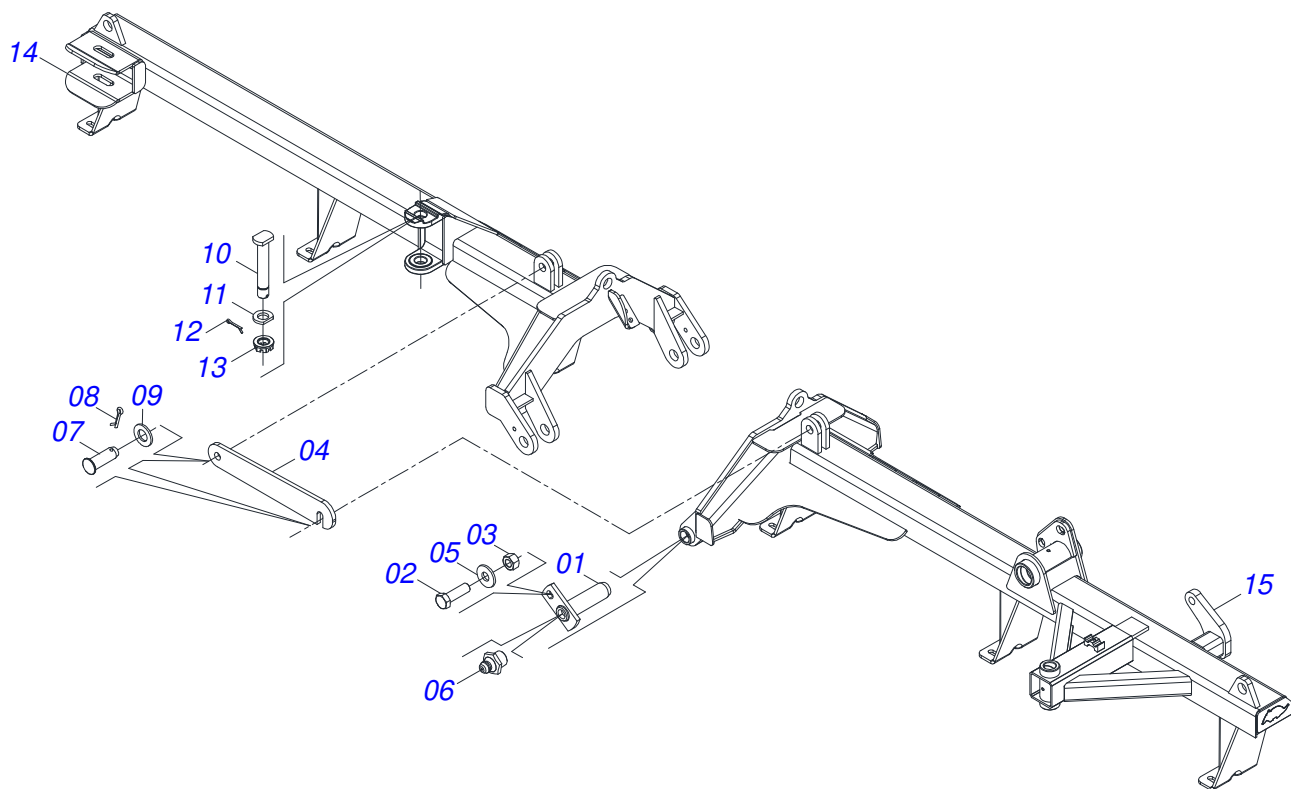
Item	Code	Description	See page	QT
001	0501063751	1.5" X 5.5" PIVOT SHAFT		02
002	0501010100	SCREW 5/8 UNC X 2 CS G.5 ZN		02
003	0503010013	5/8" NUT		02
004	0501018941	TRANSPORT LOCK		01
005	0501012140	FLAT WASHER		02
006	0503010002	1800 GREASE FITTING		02
007	0521010592	1.1" X 3.1" COUPLING SHAFT		02
008	0503010571	1/4" X 1.1/2" COTTERPIN		02
009	0511017480	FLAT WASHER		02
010	0531019497	1.5" X 9.2" ARTICULATED AXIS		02
011	0531019540	FLAT WASHER		02
012	0503010010	1/4" X 2.1/2" COTTERPIN		02
013	0501011301	1.1/2 UNC 6FPP 2.5/16 NUT		02
014	0521068912	RIGHT REAR FRAME 52		01
015	0521068911	LEFT REAR FRAME 52		01

REAR FRAME 56



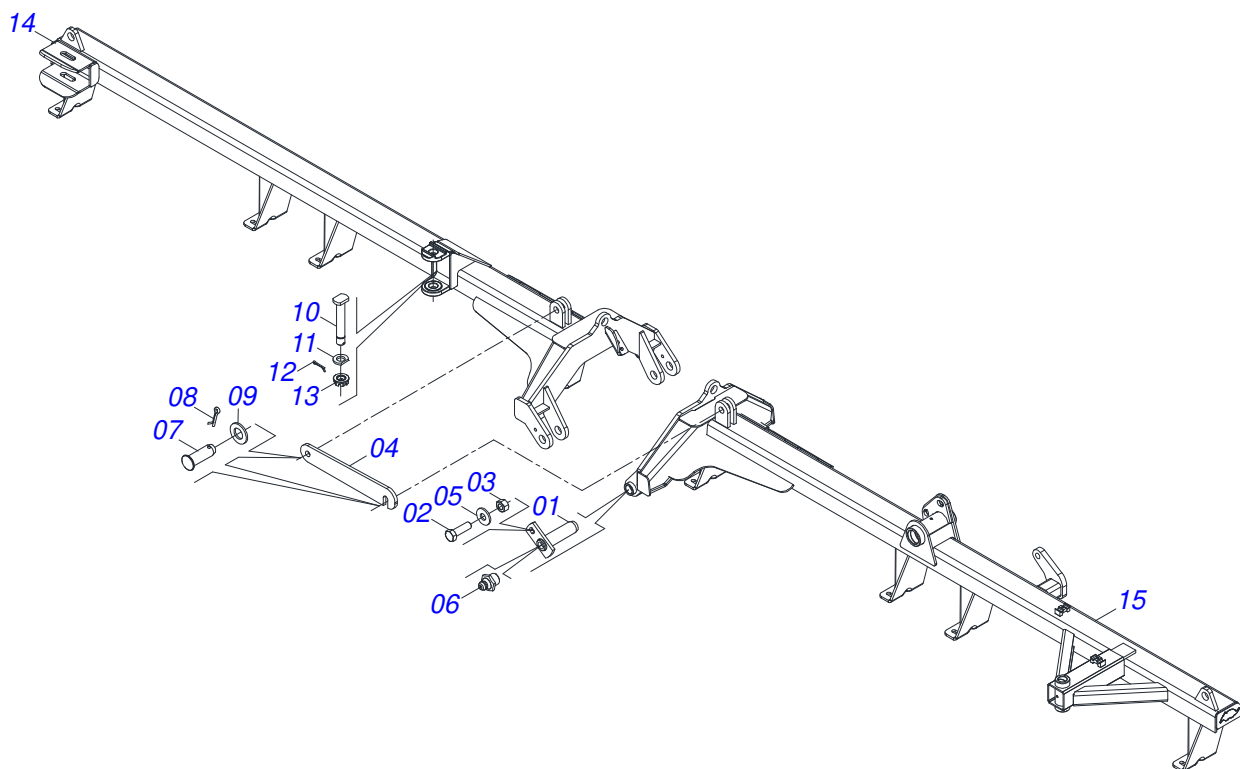
Item	Code	Description	See page	QT
001	0501063751	1.5" X 5.5" PIVOT SHAFT		02
002	0501010100	SCREW 5/8 UNC X 2 CS G.5 ZN		02
003	0503010013	5/8" NUT		02
004	0501018941	TRANSPORT LOCK		01
005	0501012140	FLAT WASHER		02
006	0503010002	1800 GREASE FITTING		02
007	0521010592	1.1" X 3.1" COUPLING SHAFT		02
008	0503010571	1/4" X 1.1/2" COTTERPIN		02
009	0511017480	FLAT WASHER		02
010	0531019497	1.5" X 9.2" ARTICULATED AXIS		02
011	0531019540	FLAT WASHER		02
012	0503010010	1/4" X 2.1/2" COTTERPIN		02
013	0501011301	1.1/2 UNC 6FPP 2.5/16 NUT		02
014	0521068895	RIGHT REAR FRAME 56		01
015	0521068894	LEFT REAR FRAME 56		01

REAR FRAME 60



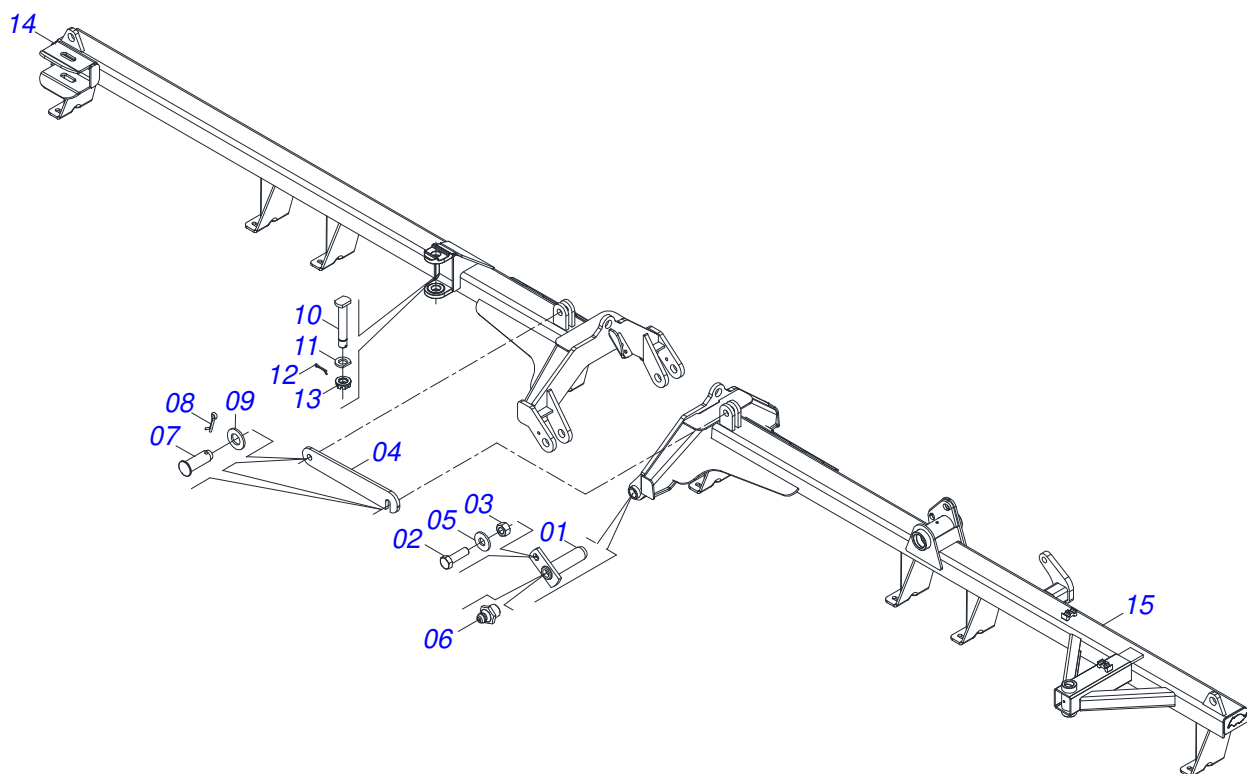
Item	Code	Description	See page	QT
001	0501063751	1.5" X 5.5" PIVOT SHAFT		02
002	0501010100	SCREW 5/8 UNC X 2 CS G.5 ZN		02
003	0503010013	5/8" NUT		02
004	0501018941	TRANSPORT LOCK		01
005	0501012140	FLAT WASHER		02
006	0503010002	1800 GREASE FITTING		02
007	0521010592	1.1" X 3.1" COUPLING SHAFT		02
008	0503010571	1/4" X 1.1/2" COTTERPIN		02
009	0511017480	FLAT WASHER		02
010	0531019497	1.5" X 9.2" ARTICULATED AXIS		02
011	0531019540	FLAT WASHER		02
012	0503010010	1/4" X 2.1/2" COTTERPIN		02
013	0501011301	1.1/2 UNC 6FPP 2.5/16 NUT		02
014	0521068807	RIGHT REAR FRAME 60		01
015	0521068808	LEFT REAR FRAME 60		01

REAR FRAME 64



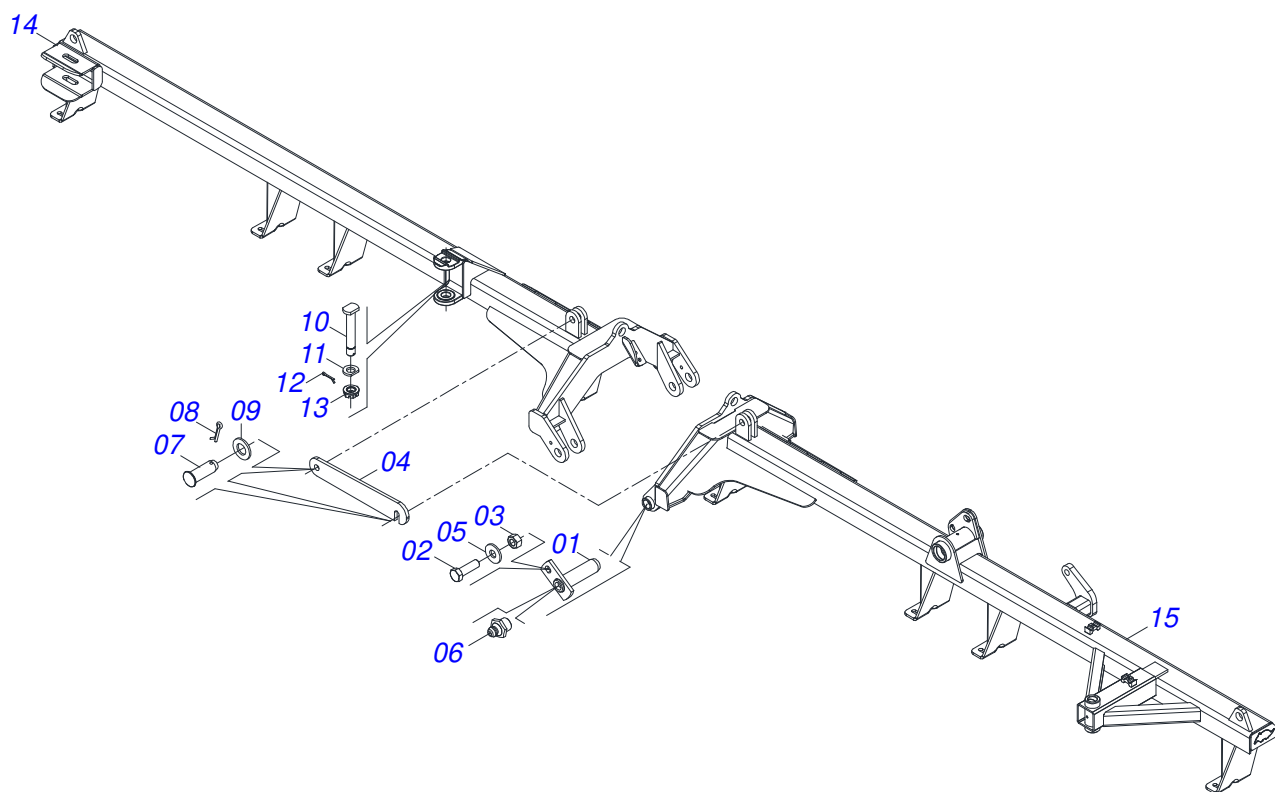
Item	Code	Description	See page	QT
001	0501063751	1.5" X 5.5" PIVOT SHAFT		02
002	0501010100	SCREW 5/8 UNC X 2 CS G.5 ZN		02
003	0503010013	5/8" NUT		02
004	0501018941	TRANSPORT LOCK		01
005	0501012140	FLAT WASHER		02
006	0503010002	1800 GREASE FITTING		02
007	0521010592	1.1" X 3.1" COUPLING SHAFT		02
008	0503010571	1/4" X 1.1/2" COTTERPIN		02
009	0511017480	FLAT WASHER		02
010	0531019497	1.5" X 9.2" ARTICULATED AXIS		02
011	0531019540	FLAT WASHER		02
012	0503010010	1/4" X 2.1/2" COTTERPIN		02
013	0501011301	1.1/2 UNC 6FPP 2.5/16 NUT		02
014	0521068787	RIGHT REAR FRAME 64		01
015	0521068884	LEFT REAR FRAME 64		01

REAR FRAME 68

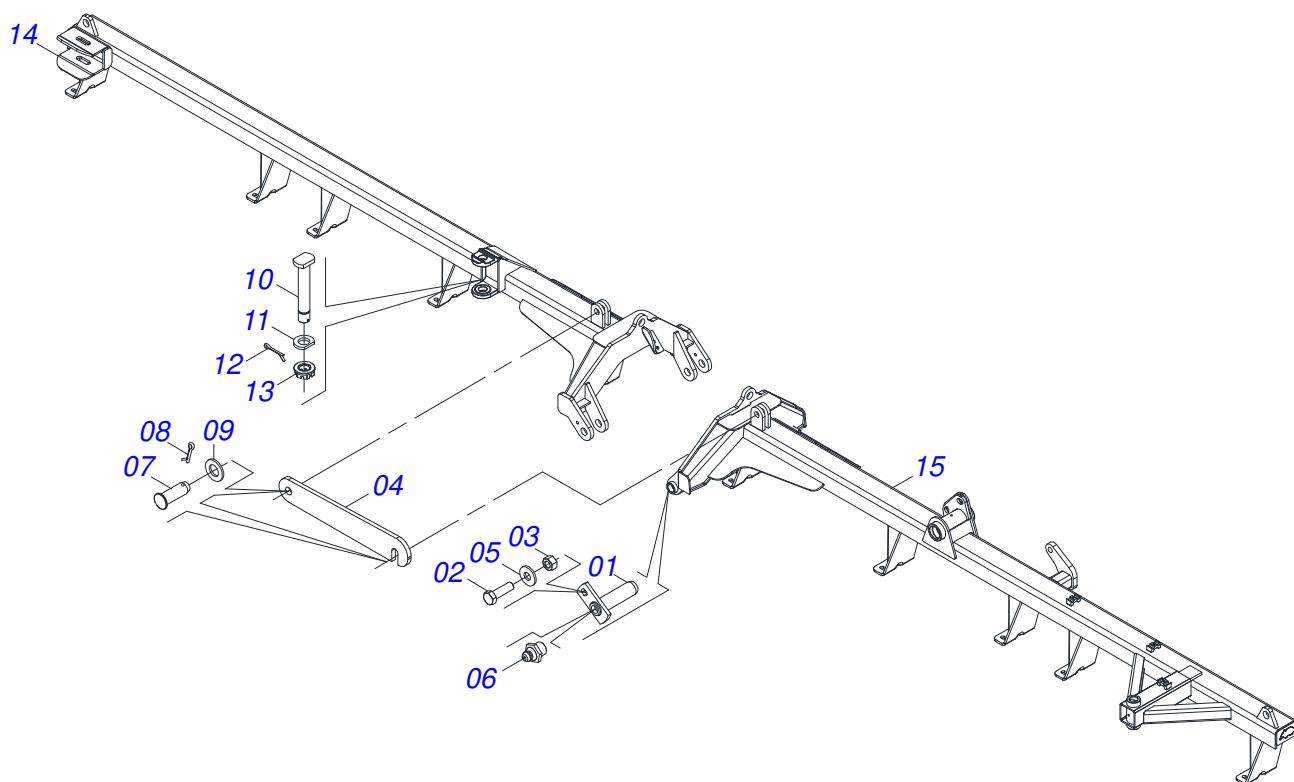


Item	Code	Description	See page	QT
001	0501063751	1.5" X 5.5" PIVOT SHAFT		02
002	0501010100	SCREW 5/8 UNC X 2 CS G.5 ZN		02
003	0503010013	5/8" NUT		02
004	0501018941	TRANSPORT LOCK		01
005	0501012140	FLAT WASHER		02
006	0503010002	1800 GREASE FITTING		02
007	0521010592	1.1" X 3.1" COUPLING SHAFT		02
008	0503010571	1/4" X 1.1/2" COTTERPIN		02
009	0511017480	FLAT WASHER		02
010	0531019497	1.5" X 9.2" ARTICULATED AXIS		02
011	0531019540	FLAT WASHER		02
012	0503010010	1/4" X 2.1/2" COTTERPIN		02
013	0501011301	1.1/2 UNC 6FPP 2.5/16 NUT		02
014	0521065422	RIGHT REAR FRAME		01
015	0521068778	LEFT REAR FRAME 68D		01

REAR FRAME 72

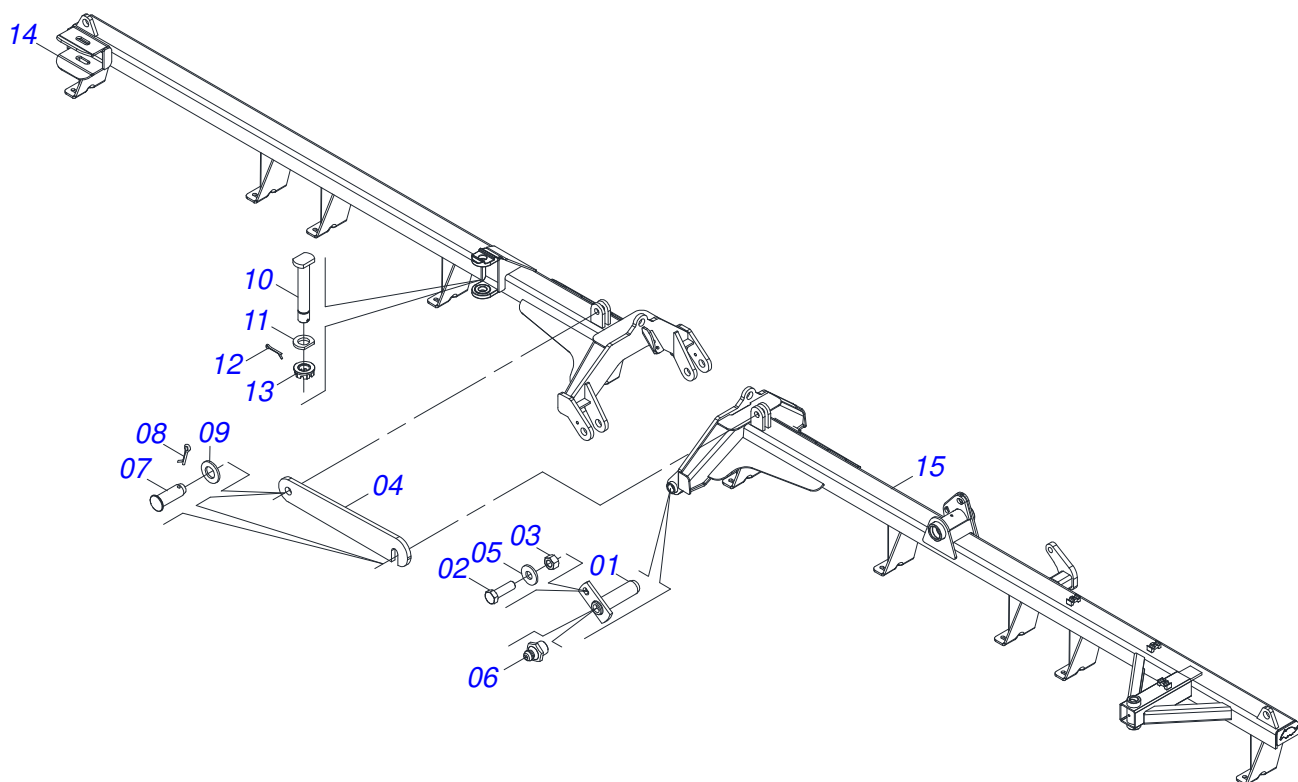


Item	Code	Description	See page	QT
001	0501063751	1.5" X 5.5" PIVOT SHAFT		02
002	0501010100	SCREW 5/8 UNC X 2 CS G.5 ZN		02
003	0503010013	5/8" NUT		02
004	0501018941	TRANSPORT LOCK		01
005	0501012140	FLAT WASHER		02
006	0503010002	1800 GREASE FITTING		02
007	0521010592	1.1" X 3.1" COUPLING SHAFT		02
008	0503010571	1/4" X 1.1/2" COTTERPIN		02
009	0511017480	FLAT WASHER		02
010	0531019497	1.5" X 9.2" ARTICULATED AXIS		02
011	0531019540	FLAT WASHER		02
012	0503010010	1/4" X 2.1/2" COTTERPIN		02
013	0501011301	1.1/2 UNC 6FPP 2.5/16 NUT		02
014	0521065411	RIGHT REAR FRAME		01
015	0521068772	LEFT REAR FRAME 72		01



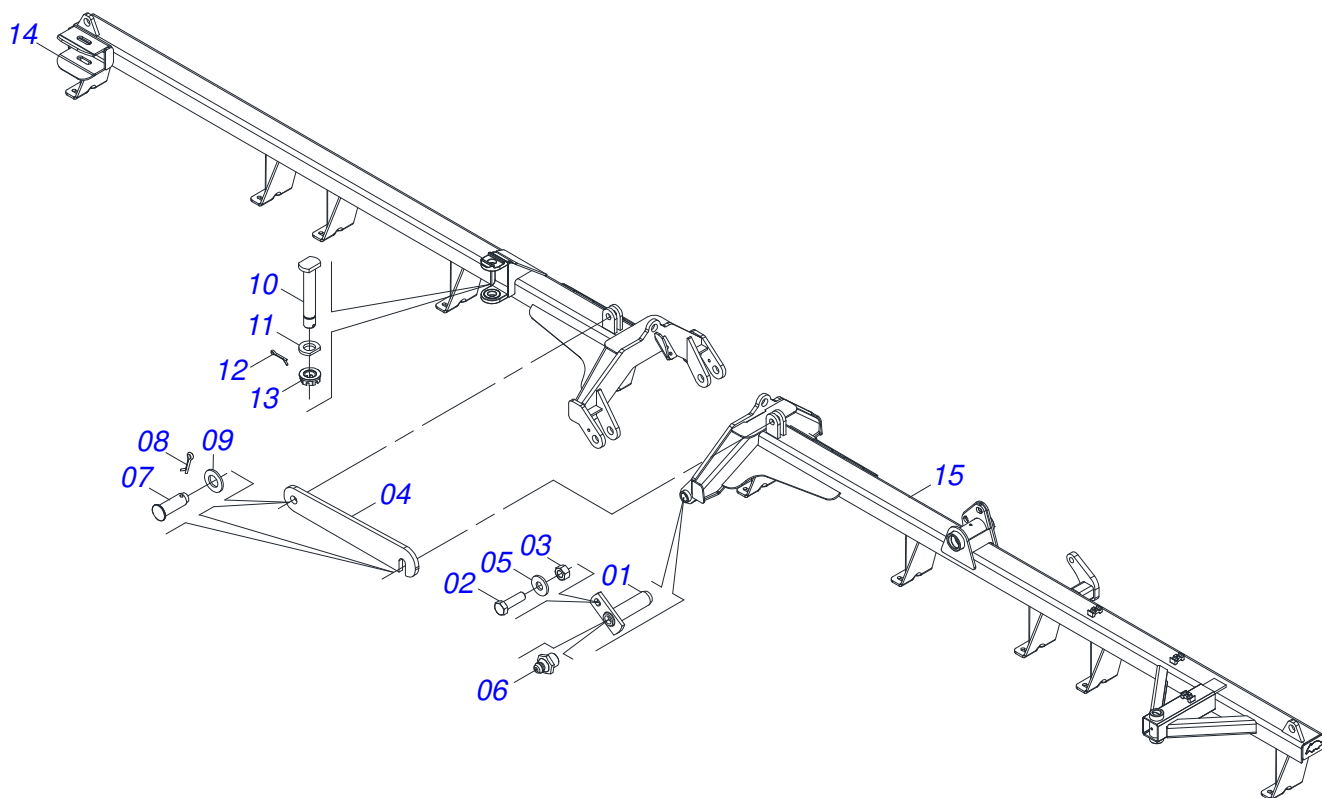
Item	Code	Description	See page	QT
001	0501063751	1.5" X 5.5" PIVOT SHAFT		02
002	0501010100	SCREW 5/8 UNC X 2 CS G.5 ZN		02
003	0503010013	5/8" NUT		02
004	0501018941	TRANSPORT LOCK		01
005	0501012140	FLAT WASHER		02
006	0503010002	1800 GREASE FITTING		02
007	0521010592	1.1" X 3.1" COUPLING SHAFT		02
008	0503010571	1/4" X 1.1/2" COTTERPIN		02
009	0511017480	FLAT WASHER		02
010	0531019497	1.5" X 9.2" ARTICULATED AXIS		02
011	0531019540	FLAT WASHER		02
012	0503010010	1/4" X 2.1/2" COTTERPIN		02
013	0501011301	1.1/2 UNC 6FPP 2.5/16 NUT		02
014	0521069212	RIGHT REAR FRAME 76		01
015	0521069228	LEFT REAR FRAME 76		01

REAR FRAME 80

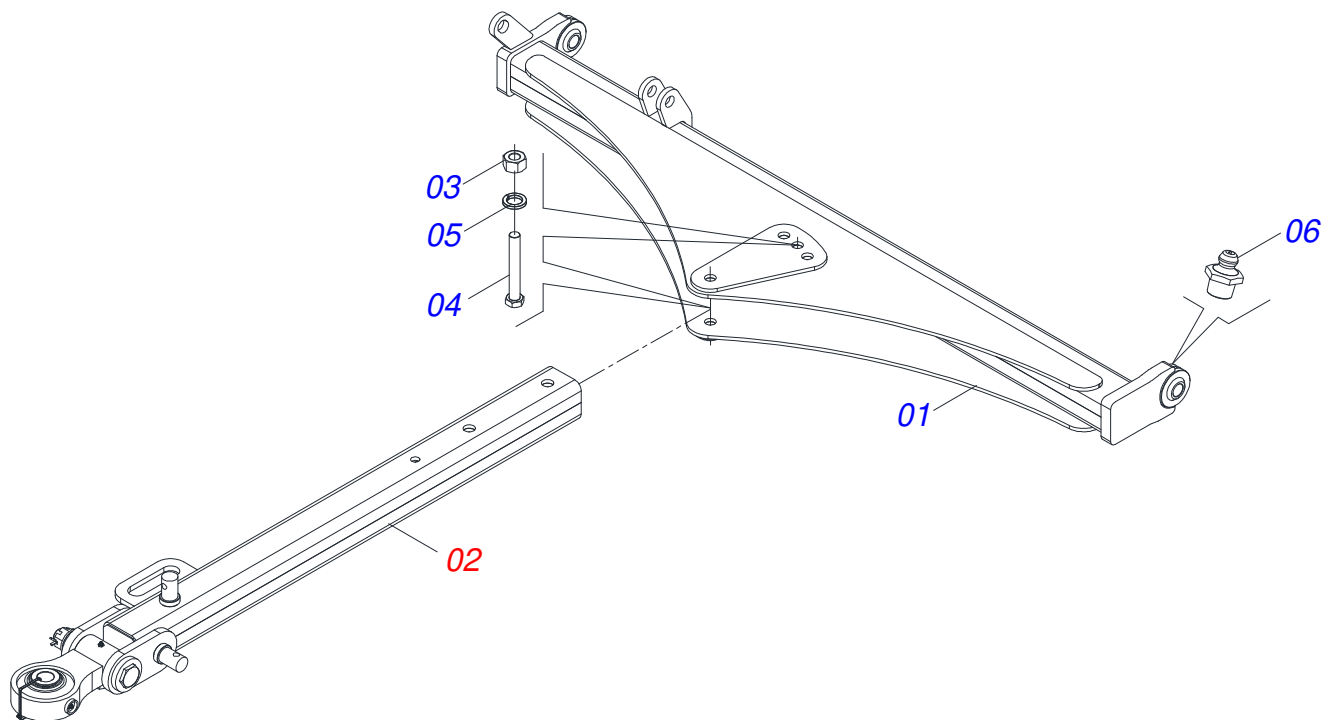


Item	Code	Description	See page	QT
001	0501063751	1.5" X 5.5" PIVOT SHAFT		02
002	0501010100	SCREW 5/8 UNC X 2 CS G.5 ZN		02
003	0503010013	5/8" NUT		02
004	0501018941	TRANSPORT LOCK		01
005	0501012140	FLAT WASHER		02
006	0503010002	1800 GREASE FITTING		02
007	0521010592	1.1" X 3.1" COUPLING SHAFT		02
008	0503010571	1/4" X 1.1/2" COTTERPIN		02
009	0511017480	FLAT WASHER		02
010	0531019497	1.5" X 9.2" ARTICULATED AXIS		02
011	0531019540	FLAT WASHER		02
012	0503010010	1/4" X 2.1/2" COTTERPIN		02
013	0501011301	1.1/2 UNC 6FPP 2.5/16 NUT		02
014	0521069235	RIGHT REAR FRAME 80		01
015	0521069234	LEFT REAR FRAME 80		01

REAR FRAME 84

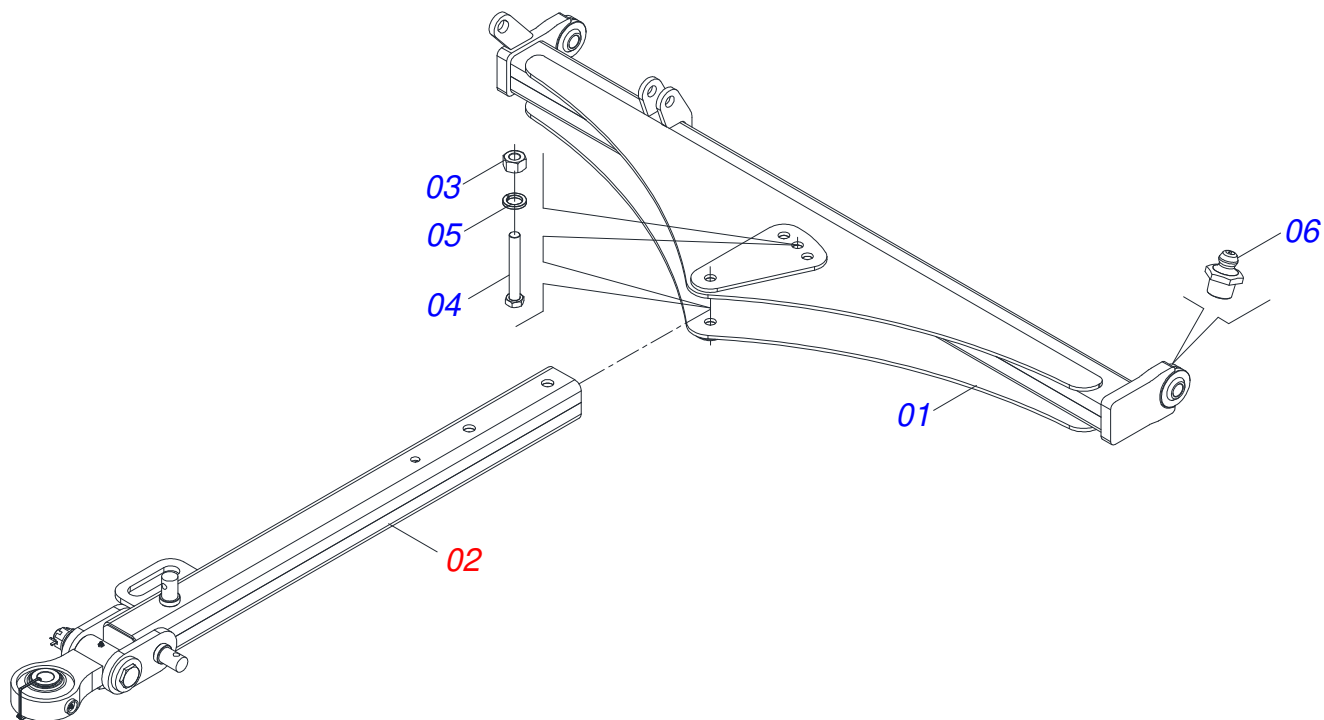


Item	Code	Description	See page	QT
001	0501063751	1.5" X 5.5" PIVOT SHAFT		02
002	0501010100	SCREW 5/8 UNC X 2 CS G.5 ZN		02
003	0503010013	5/8" NUT		02
004	0501018941	TRANSPORT LOCK		01
005	0501012140	FLAT WASHER		02
006	0503010002	1800 GREASE FITTING		02
007	0521010592	1.1" X 3.1" COUPLING SHAFT		02
008	0503010571	1/4" X 1.1/2" COTTERPIN		02
009	0511017480	FLAT WASHER		02
010	0531019497	1.5" X 9.2" ARTICULATED AXIS		02
011	0531019540	FLAT WASHER		02
012	0503010010	1/4" X 2.1/2" COTTERPIN		02
013	0501011301	1.1/2 UNC 6FPP 2.5/16 NUT		02
014	0521069195	RIGHT REAR FRAME 84		01
015	0521069182	LEFT REAR FRAME 84		01



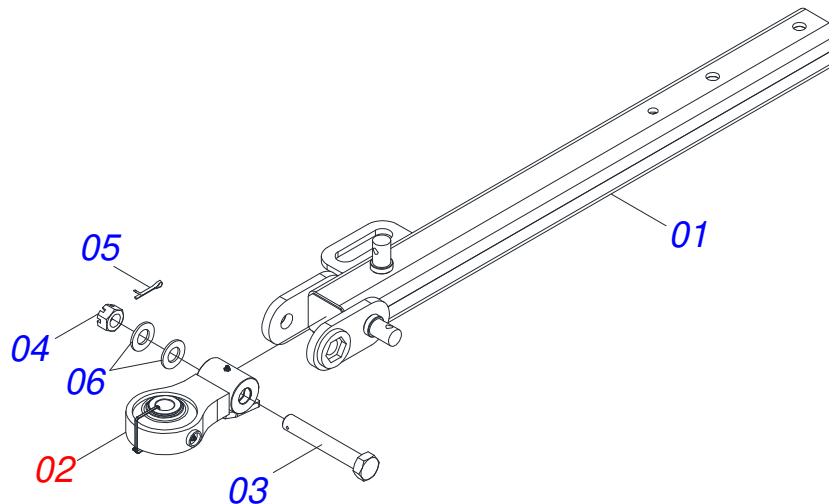
Item	Code	Description	See page	QT
01	0521068827	OFFSET BAR		01
02	0501044359	DRAWBAR ASSY	27	01
03	0501010059	1.5/8 NUT		02
04	0501010334	1" X 7" BOLT		02
05	0503011438	SPRING WASHER		02
06	0503010002	1800 GREASE FITTING		02

DRAWBAR ASSY

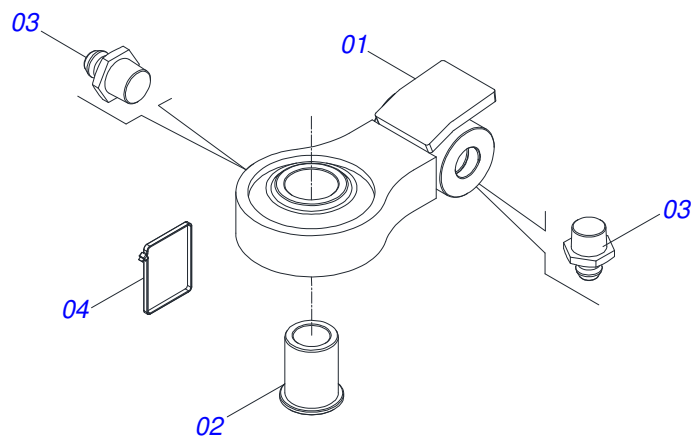


Item	Code	Description	See page	QT
01	0521065405	OFFSET BAR		01
02	0501044359	DRAWBAR ASSY	27	01
03	0501010059	1.5/8 NUT		02
04	0501010334	1" X 7" BOLT		02
05	0503011438	SPRING WASHER		02
06	0503010002	1800 GREASE FITTING		02

DRAWBAR ASSY

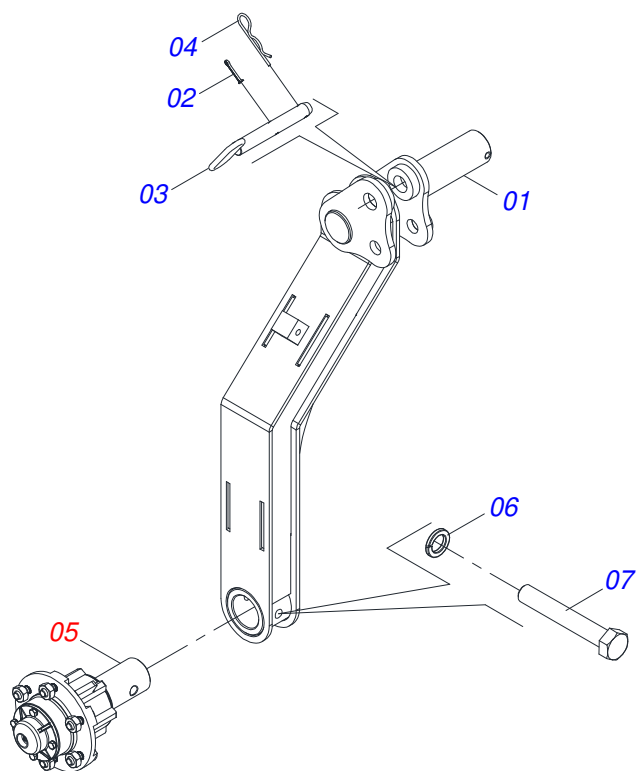


Item	Code	Description	See page	QT
01	0501066715	DRAWBAR ASSY		01
02	0521053943	HITCH WITH ASSY ROTULA SUPPORT	28	01
03	0501017291	1-1/2" X 8.1" BOLT		01
04	0501011301	1.1/2 UNC 6FPP 2.5/16 NUT		01
05	0503010010	1/4" X 2.1/2" COTTERPIN		01
06	0501017779	32 X 60 X 4.75 FLAT WASHER		02

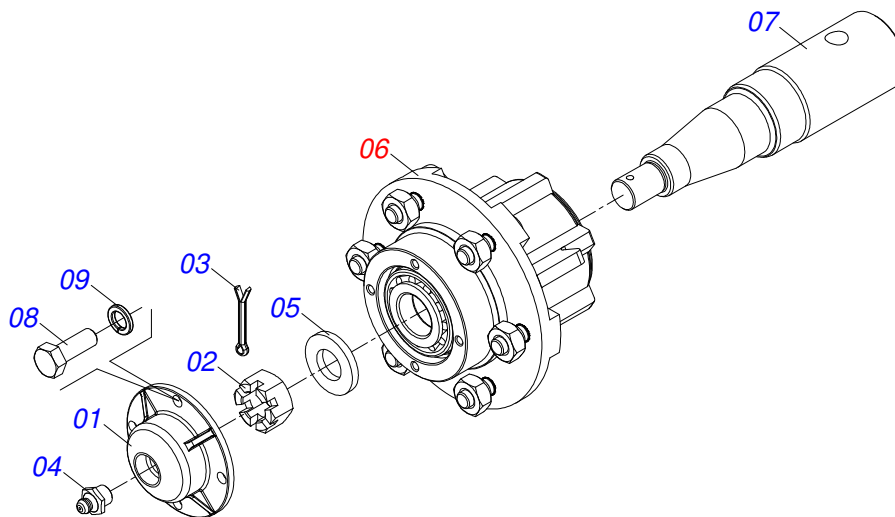


Item	Code	Description	See page	QT
01	0521069166	HITCH		01
02	0581018413	SLEEVE		01
03	0503010002	1800 GREASE FITTING		02
04	0503016033	4.8 X 1.3 X 300 MM NYLON CLAMP		01

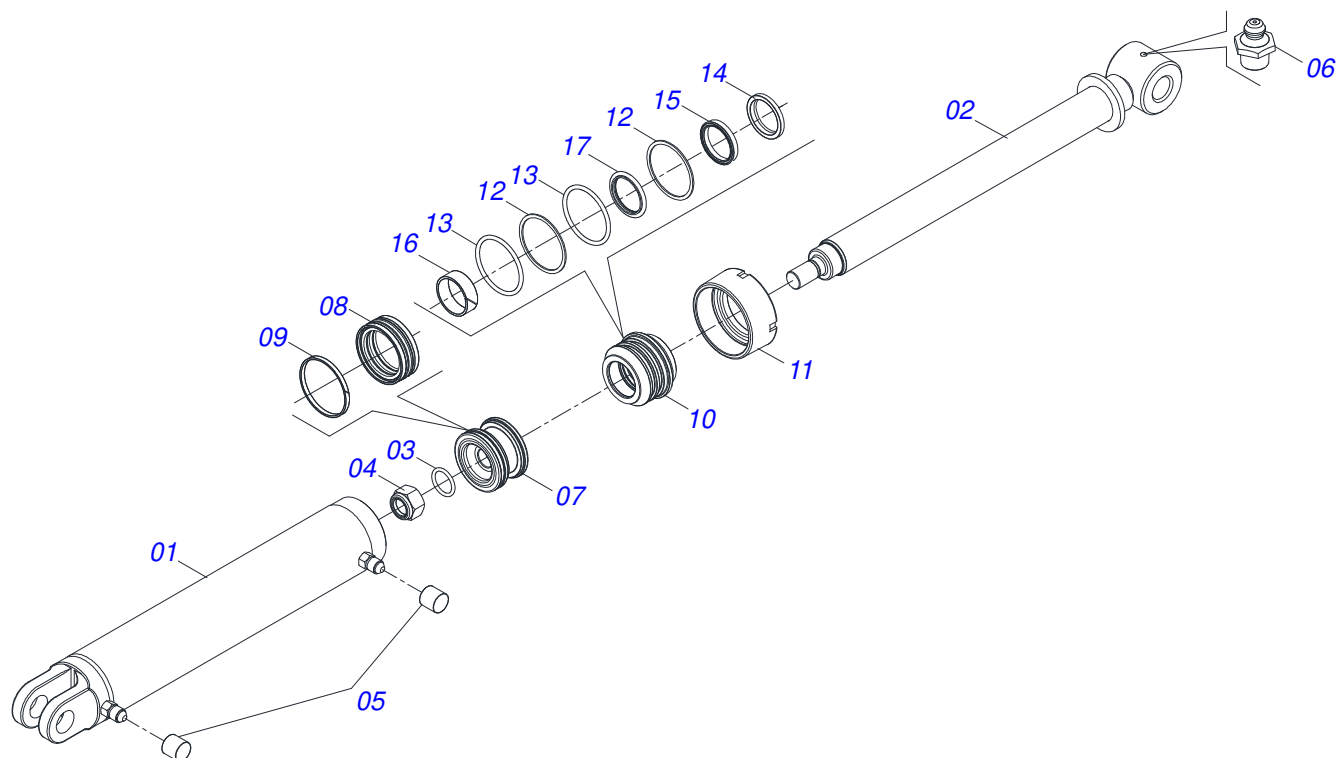
WHEELS ASSY



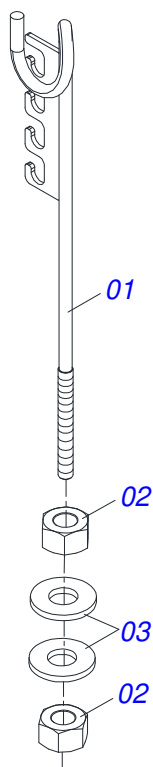
Item	Code	Description	See page	QT
01	0521068372	WHEELED ARM		01
02	0503010131	3/16" X 1-1/2" COTTERPIN		01
03	0521068769	COUPLING SHAFT		01
04	0503030012	HAIR PIN		01
05	0521052217	ASSY WHEEL CUBE	30	01
06	0503010027	5/8" SPRING WASHER		01
07	0503017857	BOLT 5/8 UNF 4		01



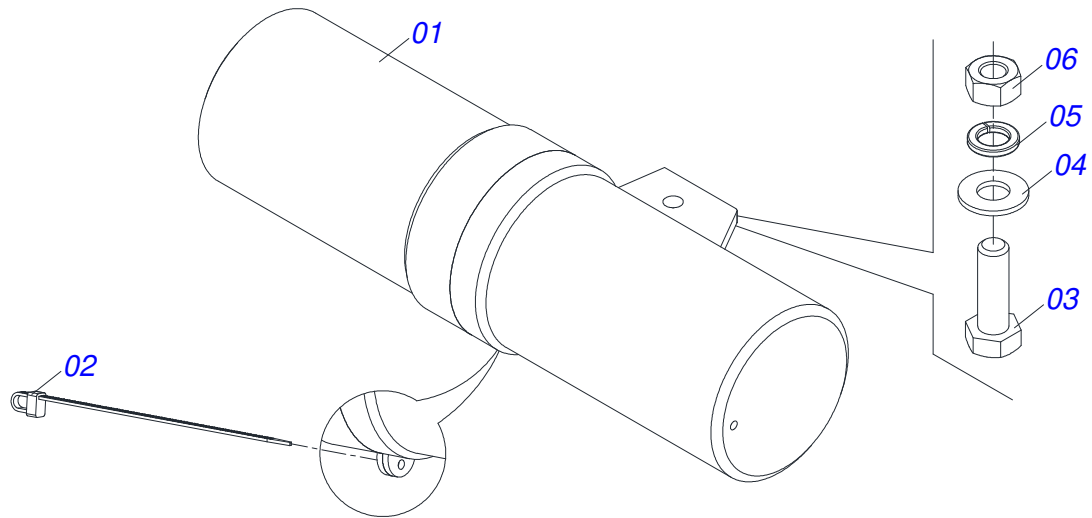
Item	Code	Description	See page	QT
01	0502020591	PROTECCION COVER		01
02	0503030009	1" CASTLE NUT		01
03	0503010018	5/32 X 1-1/2 COTTERPIN		01
04	0503010002	1800 GREASE FITTING		01
05	0501016545	FLAT WASHER		01
06	0501051142	CARRYING WHEEL HUB		01
07	0581016297	63,50 X 270 AXIS		01
08	0503010178	5/16" X 7/8" BOLT		04
09	0503010179	5/16" ZN SPRING WASHER		04



Item	Code	Description	See page	QT
01	0521063982	CYLINDER CASE		01
02	0521067533	50,80 X 697 EXTENSOR		01
03	0503010042	2-214 N 3006-9B O'RING		01
04	0503010063	1" SELF-ALIGNING NUT		01
05	0503030385	CYLINDER PLUG N-002		02
06	0503010002	1800 GREASE FITTING		01
07	0571019710	1.7" X 3.4" PISTON		01
08	0503017935	RING		01
09	0503018144	RING		01
10	0581013228	50,80 X 85,72 SUPPORT RINGS		01
11	0581013227	85,72 MOVEL COVER		01
12	0503017940	8-337 BACK-UP RING		02
13	0503017939	2-337 N 3006-9B O' RING		02
14	0503010039	D-2000 SCRAPER RING		01
15	0503018026	1870-2000-375 B GASKET		01
16	0503018025	RING GUIDE		01
17	0503018024	RING BS		01

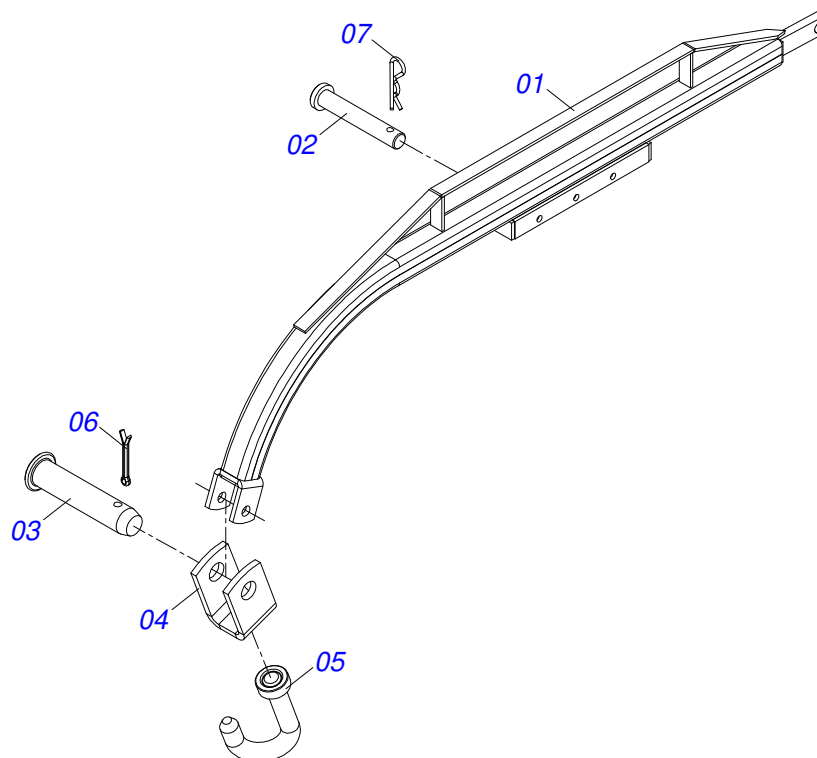


Item	Code	Description	See page	QT
01	0511067334	HOSE SOPPORT ASSY		01
02	0503010014	3/4" NUT		02
03	0501010322	FLAT WASHER		02

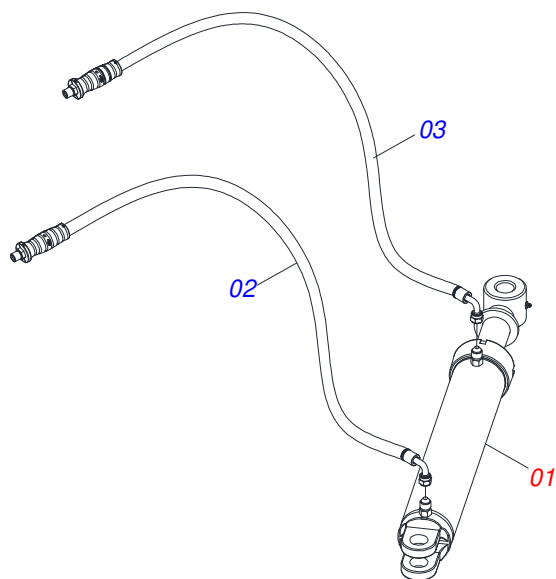


Item	Code	Description	See page	QT
01	0503060100	OPERATOR'S MANUAL STORAGE TUBE		01
02	0503010267	NYLON CLAMP		01
03	0503010363	5/16" X 1" BOLT		01
04	0501010694	8.5 X 18 X 1.5 FLAT WASHER		01
05	0503010179	5/16" ZN SPRING WASHER		01
06	0503010337	5/16" NUT		01

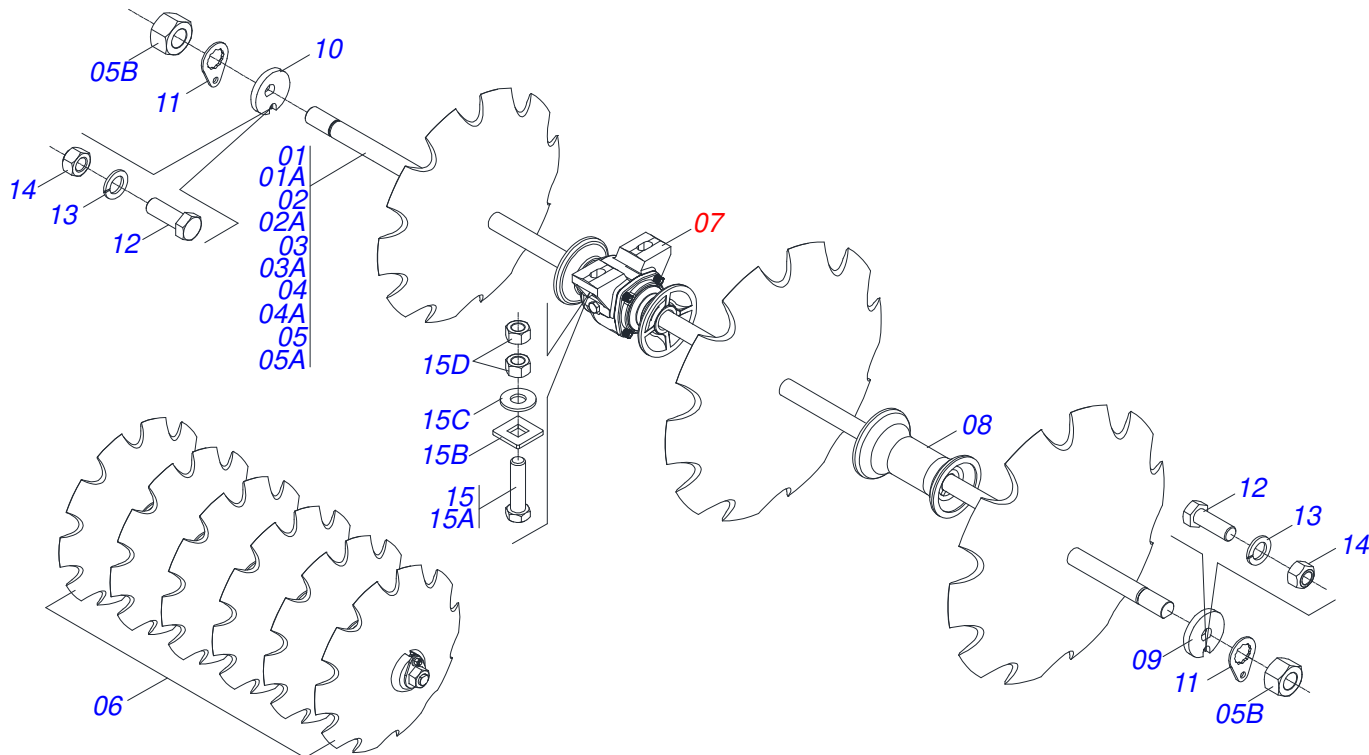
FRAME ASSY



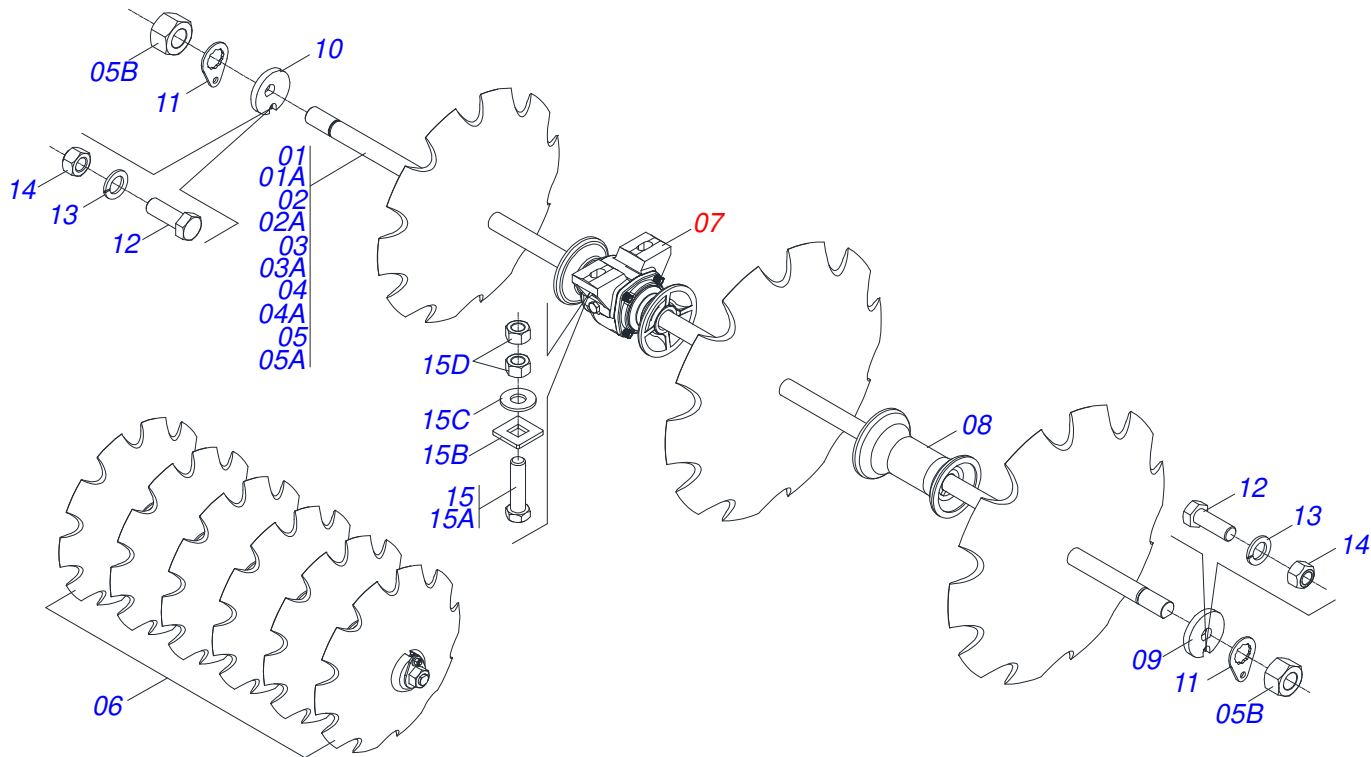
Item	Code	Description	See page	QT
01	0501062595	FRAME GAT 800		01
02	0501011388	COUPLING SHAFT		01
03	0521010579	COUPLING SHAFT		01
04	0511016686	U HOOK		01
05	0501067537	25,4 X 100 HOOK		01
06	0503010018	5/32 X 1-1/2 COTTERPIN		01
07	0503030168	HAIR PIN		01



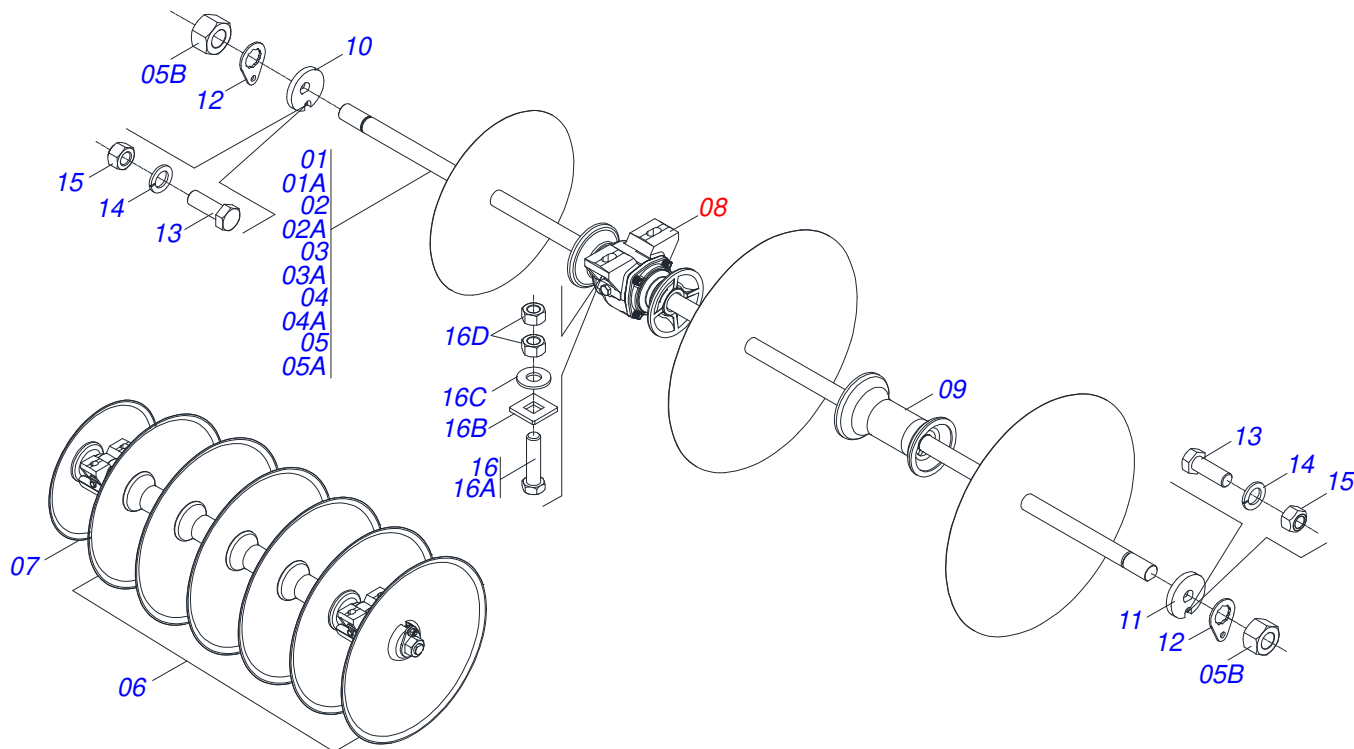
Item	Code	Description	See page	QT
01	0511058461	HYDRAULIC CYLINDER	31	01
02	0521053414	3/8" X 177 TC-TM HOSE		01
03	0521053413	3/8" X 177" TC-TM HOSE		01



Item	Code	Description	See page	48	52	56	60	64
01	0521045341	AXLE		02	00	00	00	00
01A	0511012017	AXLE		02	00	00	00	00
02	0511054527	AXIS 1.1/2" UNC X 2490 WITH NUTS		00	02	00	00	00
02A	0531019372	AXIS 1.1/2" 6FPP X 2490		00	02	00	00	00
03	0511045023	1.1/2" X 2680 AXLE		00	00	02	00	00
03A	0551011002	1.1/2" X 2680 AXLE		00	00	02	00	00
04	0501059898	1.1/2 X 2880 AXLE ASSY		00	00	00	02	00
04A	0561016111	1.1/2 X 2880 AXLE		00	00	00	02	00
05	0501043697	1.1/2" X 1505 AXLE ASSY		00	00	00	00	02
05A	0511012601	1.1/2" X 1505 AXLE		00	00	00	00	02
05B	0501810110	NUT 1.1/2		04	04	04	04	04
06	0602027341	DR20X3,5 C57AF02FR1.9/16 10R TATU		24	26	28	30	32
06.	0602027356	DR20X4,5 C57AF02FR1.9/16 10REC TATU		24	26	28	30	32
06..	0602029422	DR22X3,5 C64AF02FR1.9/16 10R TATU		24	26	28	30	32
06...	0602029416	DR22X4,5 C64AF02FR1.9/16 10REC TATU		24	26	28	30	32
06....	0602030429	NOTCHED DISC BLADE		24	26	28	30	32
07	0501047055	BEARING	40	06	06	06	06	08
08	0502010627	SPACER		16	18	20	22	20
09	0502010871	1-1/2" EXTERNAL AXLE WASHER		02	02	02	02	04
10	0502010872	1-1/2" INNER AXLE WASHER		02	02	02	02	04
11	0501018592	1.5/8" NUT LOCK		04	04	04	04	04
12	0503011267	BOLT 5/8 UNC X 1.1/2 C S G.5 ZN		04	04	04	04	04
13	0503010027	5/8" SPRING WASHER		04	04	04	04	04
14	0503010013	5/8" NUT		04	04	04	04	04
15	0501042160	5/8" X 76 BOLT ASSY		12	12	12	12	18
15A	0501011234	5/8" X 3" BOLT		12	12	12	12	18
15B	0501010947	5/8 NUT LOCK		12	12	12	12	18
15C	0501012140	FLAT WASHER		12	12	12	12	18
15D	0503010013	5/8" NUT		12	12	12	12	18



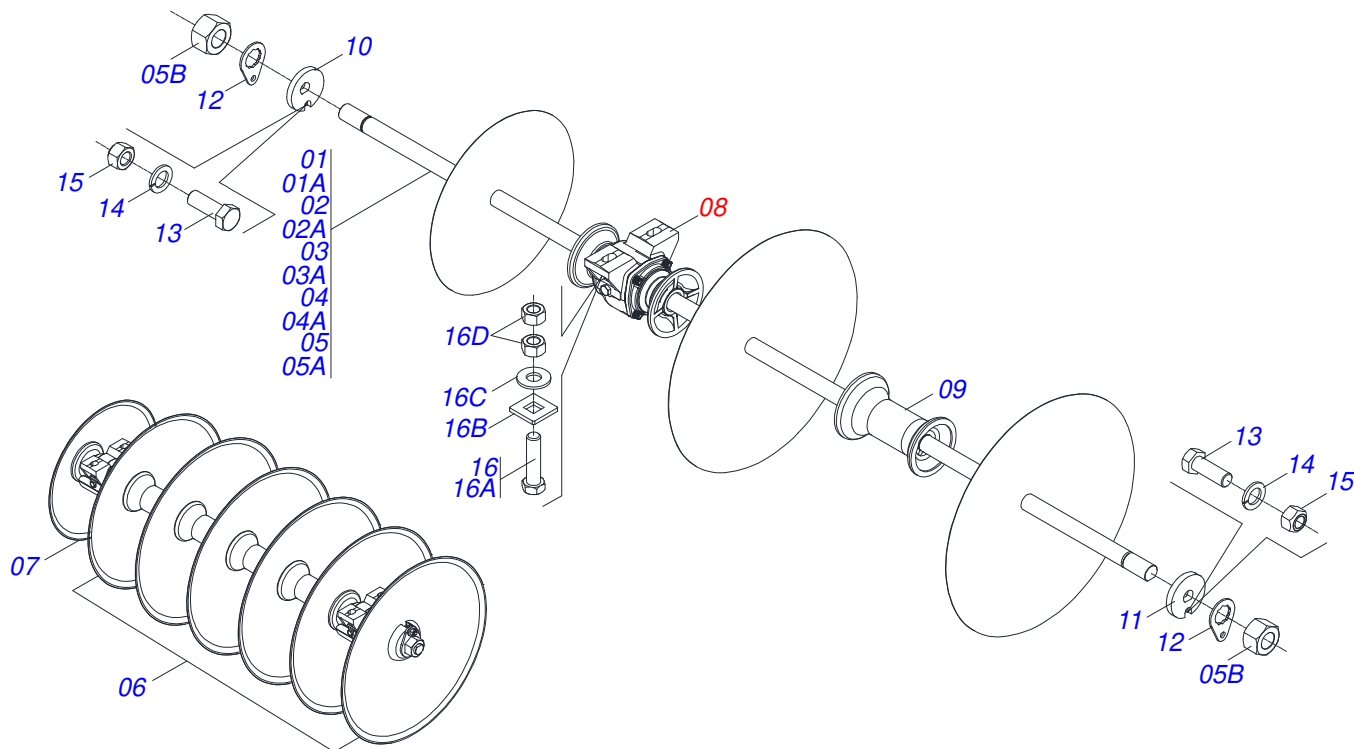
Item	Code	Description	See page	68	72	76	80	84
01	0501046884	1.1/2 X 1705 AXLE W/NUT		02	04	00	00	00
01A	0501018720	1.1/2 X 1705 AXLE		02	04	00	00	00
02	0501043697	1.1/2" X 1505 AXLE ASSY		02	00	02	02	00
02A	0511012601	1.1/2" X 1505 AXLE		02	00	02	02	00
03	0511049630	1.1/2 AXIS		00	00	02	00	00
03A	0561019198	1.1/2 AXIS		00	00	02	00	00
04	0521045341	AXLE		00	00	00	02	00
04A	0511012017	AXLE		00	00	00	02	00
05	0501044105	1.1/2 X 1305 AXLE W/NUT		00	00	00	00	06
05A	0511011914	1.1/2 X 1305 AXLE		00	00	00	00	06
05B	0501810110	NUT 1.1/2		04	04	04	04	04
06	0602027341	DR20X3,5 C57AF02FR1.9/16 10R TATU		24	26	28	30	32
06.	0602027356	DR20X4,5 C57AF02FR1.9/16 10REC TATU		24	26	28	30	32
06..	0602029422	DR22X3,5 C64AF02FR1.9/16 10R TATU		24	26	28	30	32
06...	0602029416	DR22X4,5 C64AF02FR1.9/16 10REC TATU		24	26	28	30	32
06....	0602030429	NOTCHED DISC BLADE		24	26	28	30	32
07	0501047055	BEARING	40	08	08	10	10	12
08	0502010627	SPACER		22	24	24	26	24
09	0502010871	1-1/2" EXTERNAL AXLE WASHER		02	02	02	02	04
10	0502010872	1-1/2" INNER AXLE WASHER		02	02	02	02	04
11	0501018592	1.5/8" NUT LOCK		04	04	04	04	04
12	0503011267	BOLT 5/8 UNC X 1.1/2 C S G.5 ZN		04	04	04	04	04
13	0503010027	5/8" SPRING WASHER		04	04	04	04	04
14	0503010013	5/8" NUT		04	04	04	04	04
15	0501042160	5/8" X 76 BOLT ASSY		12	12	12	12	18
15A	0501011234	5/8" X 3" BOLT		12	12	12	12	18
15B	0501010947	5/8 NUT LOCK		12	12	12	12	18
15C	0501012140	FLAT WASHER		12	12	12	12	18
15D	0503010013	5/8" NUT		12	12	12	12	18



Item	Code	Description	See page	48	52	56	60	64
01	0521045341	AXLE		02	00	00	00	00
01A	0511012017	AXLE		02	00	00	00	00
02	0511054527	AXIS 1.1/2" UNC X 2490 WITH NUTS		00	02	00	00	00
02A	0531019372	AXIS 1.1/2" 6FPP X 2490		00	02	00	00	00
03	0511045023	1.1/2" X 2680 AXLE		00	00	02	00	00
03A	0551011002	1.1/2" X 2680 AXLE		00	00	02	00	00
04	0501059898	1.1/2 X 2880 AXLE ASSY		00	00	00	02	00
04A	0561016111	1.1/2 X 2880 AXLE		00	00	00	02	00
05	0501043697	1.1/2" X 1505 AXLE ASSY		00	00	00	00	02
05A	0511012601	1.1/2" X 1505 AXLE		00	00	00	00	02
05B	0501810110	NUT 1.1/2		04	04	04	04	04
06	0601027302	DL20X3,5 C57AF02FR1.9/16 TATU		22	24	26	28	30
06.	0601027299	DL20X4,5 C57AF02FR1.9/16 TATU		22	24	26	28	30
06..	0601029419	DL22X3,5 C64AF02FR1.9/16 TATU		22	24	26	28	30
06...	0601029413	DL22X4,5 C64AF02FR1.9/16 TATU		22	24	26	28	30
06....	0601031134	DL24X4,5 C66AF02FR1.9/16 D006 TT		22	24	26	28	30
07	0601025033	DL18X3,5 C45AF02FR1.9/16"		02	02	02	02	02
07.	0601025099	18" X 0.1" PLAIN DISC BLADE		02	02	02	02	02
07..	0601027302	DL20X3,5 C57AF02FR1.9/16 TATU		02	02	02	02	02
07...	0601027299	DL20X4,5 C57AF02FR1.9/16 TATU		02	02	02	02	02
07....	0601029414	DL22X4,5 C63AF02FR1.9/16 TATU		02	02	02	02	02
08	0501047055	BEARING	40	06	06	06	06	08
09	0502010627	SPACER		16	18	20	22	20
10	0502010871	1-1/2" EXTERNAL AXLE WASHER		02	02	02	02	04
11	0502010872	1-1/2" INNER AXLE WASHER		02	02	02	02	04
12	0501018592	1.5/8" NUT LOCK		04	04	04	04	04
13	0503011267	BOLT 5/8 UNC X 1.1/2 C S G.5 ZN		04	04	04	04	04
14	0503010027	5/8" SPRING WASHER		04	04	04	04	04
15	0503010013	5/8" NUT		04	04	04	04	04
16	0501042160	5/8" X 76 BOLT ASSY		12	12	12	12	18
16A	0501011234	5/8" X 3" BOLT		12	12	12	12	18



Item	Code	Description	See page	48	52	56	60	64
16B	0501010947	5/8 NUT LOCK		12	12	12	12	18
16C	0501012140	FLAT WASHER		12	12	12	12	18
16D	0503010013	5/8" NUT		12	12	12	12	18

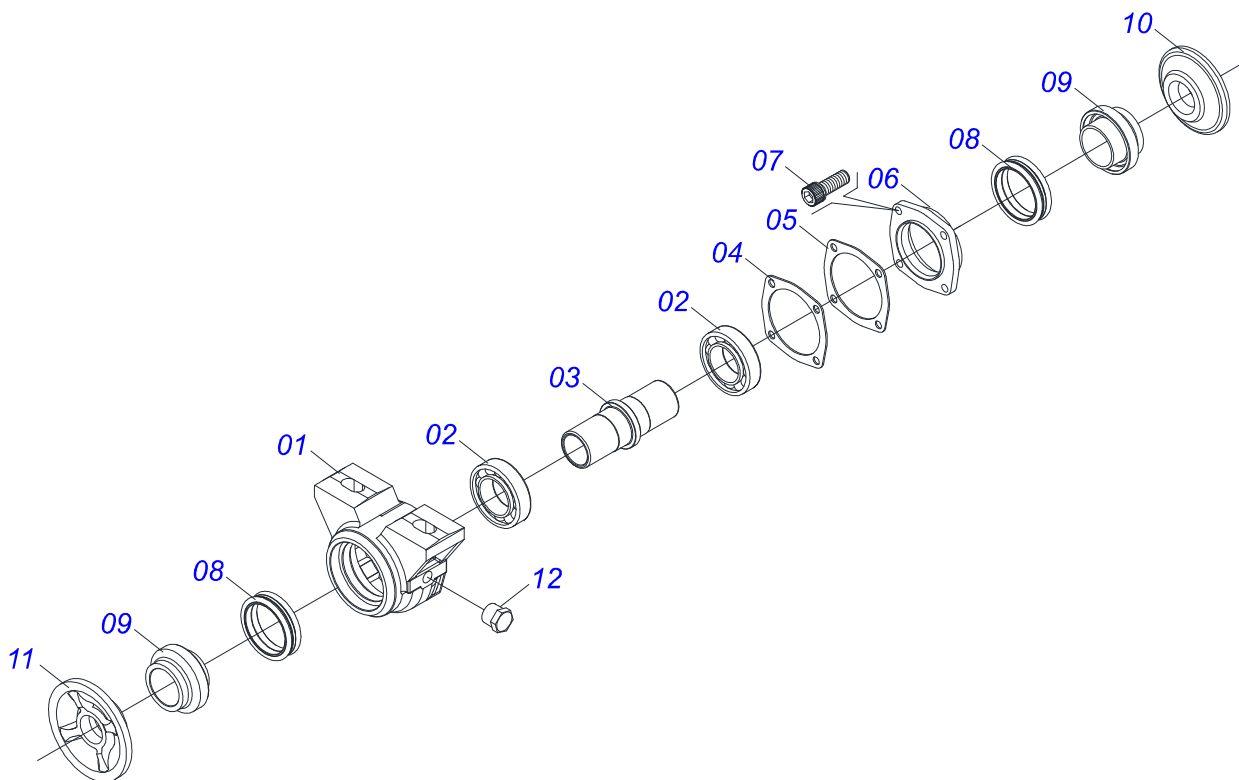


Item	Code	Description	See page	68	72	76	80	84
01	0501046884	1.1/2 X 1705 AXLE W/NUT		02	04	00	00	00
01A	0501018720	1.1/2 X 1705 AXLE		02	04	00	00	00
02	0501043697	1.1/2" X 1505 AXLE ASSY		02	00	02	02	00
02A	0511012601	1.1/2" X 1505 AXLE		02	00	02	02	00
03	0511049630	1.1/2 AXIS		00	00	02	00	00
03A	0561019198	1.1/2 AXIS		00	00	02	00	00
04	0521045341	AXLE		00	00	00	02	00
04A	0511012017	AXLE		00	00	00	02	00
05	0501044105	1.1/2 X 1305 AXLE W/NUT		00	00	00	00	06
05A	0511011914	1.1/2 X 1305 AXLE		00	00	00	00	06
05B	0501810110	NUT 1.1/2		04	04	04	04	04
06	0601027302	DL20X3,5 C57AF02FR1.9/16 TATU		32	34	36	38	40
06.	0601027299	DL20X4,5 C57AF02FR1.9/16 TATU		32	34	36	38	40
06..	0601029419	DL22X3,5 C64AF02FR1.9/16 TATU		32	34	36	38	40
06...	0601029413	DL22X4,5 C64AF02FR1.9/16 TATU		32	34	36	38	40
06....	0601031134	DL24X4,5 C66AF02FR1.9/16 D006 TT		32	34	36	38	40
07	0601025033	DL18X3,5 C45AF02FR1.9/16"		02	02	02	02	02
07.	0601025099	18" X 0.1" PLAIN DISC BLADE		02	02	02	02	02
07..	0601027302	DL20X3,5 C57AF02FR1.9/16 TATU		02	02	02	02	02
07...	0601027299	DL20X4,5 C57AF02FR1.9/16 TATU		02	02	02	02	02
07....	0601029414	DL22X4,5 C63AF02FR1.9/16 TATU		02	02	02	02	02
07.....	0602029416	DR22X4,5 C64AF02FR1.9/16 10REC TATU		32	34	36	38	40
07.....	0602027119	DR20X4,5 C57AF02FR1.9/16 (D006) 10REC		02	02	02	02	02
08	0501047055	BEARING	40	06	06	06	06	08
09	0502010627	SPACER		16	18	20	22	20
10	0502010871	1-1/2" EXTERNAL AXLE WASHER		02	02	02	02	04
11	0502010872	1-1/2" INNER AXLE WASHER		02	02	02	02	04
12	0501018592	1.5/8" NUT LOCK		04	04	04	04	04
13	0503011267	BOLT 5/8 UNC X 1.1/2 C S G.5 ZN		04	04	04	04	04
14	0503010027	5/8" SPRING WASHER		04	04	04	04	04
15	0503010013	5/8" NUT		04	04	04	04	04



Item	Code	Description	See page	68	72	76	80	84
16	0501042160	5/8" X 76 BOLT ASSY		12	12	12	12	18
16A	0501011234	5/8" X 3" BOLT		12	12	12	12	18
16B	0501010947	5/8 NUT LOCK		12	12	12	12	18
16C	0501012140	FLAT WASHER		12	12	12	12	18
16D	0503010013	5/8" NUT		12	12	12	12	18

BEARING



Item	Code	Description	See page	QT
01	0502010540	HOUSING DM		01
02	0503010006	32210 ROLLER BEARING		02
03	0502040061	AXLE		01
04	0503030013	4.4" X 3.5" X 0.004" JOINT		03
05	0503030684	4.4" X 3.5" X 0.004" JOINT		02
06	0502020424	HOUSING CAP		01
07	0503010134	3/8" X 1" BOLT		04
08	0503030026	SEAL LP JB-253		02
09	0502010541	SEAL RETAINER		02
10	0502010604	OUTER FLANGE		01
11	0502010605	INNER FLANGE		01
12	0503010856	OIL PLUG		02



MARCHESAN

Technical Publications | Elaboration and Revision

MARINA PEREZ NIZA

www.marchesan.com.br

