

PARTS CATALOG

**DISK PLOW/MOLDBOARD
PLOW/TERRACING PLOW**

AAR² 3/4/5

Code: 0501092369



Series: S-0208

Rev.: 00

Date Rev.: NOVEMBRO/2018

**ORIGINAL PARTS
TATU**



PRODUCTS

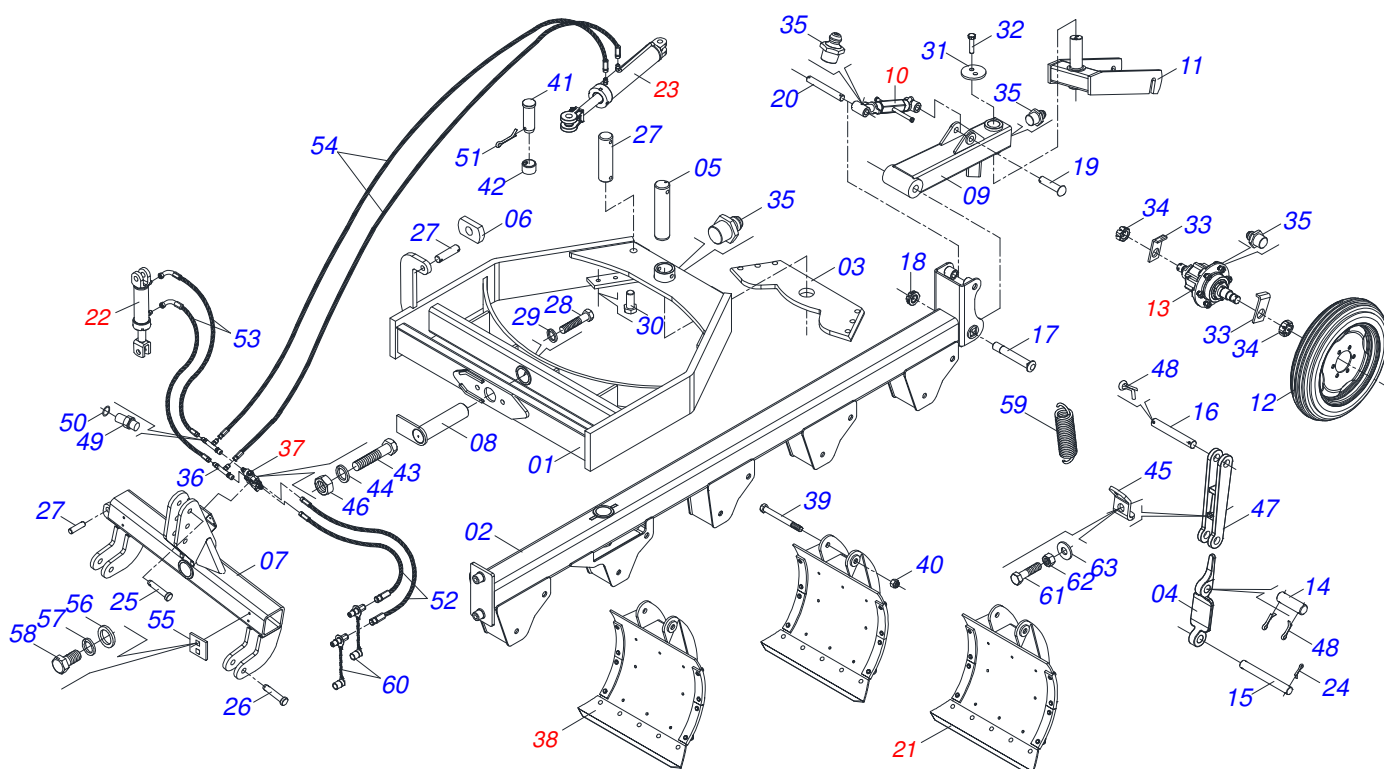
Code	Description	
0101100009	AAR2 3	S-0208
0101100004	AAR2 4	S-0208
0101100003	AAR2 5	S-0208

ATTENTION: **IMPORTANT**

MARCHESAN S/A RESERVES THE RIGHT AT ANY TIME TO MAKE IMPROVEMENTS IN THE DESIGN, MATERIAL OR SPECIFICATIONS OF MACHINERY, EQUIPMENT OR PARTS WITHOUT THEREBY BECOMING LIABLE TO MAKE SIMILAR CHANGES IN MACHINERY, EQUIPMENT OR PARTS PREVIOUSLY SOLD.

INDEX

0909093083	AAR2 - 3/4/5 MOLDBOARD	1
0501047699	ESTABILIZER WITH BUSHING ASSY	2
0501052245	STUB SHAFT& HUB ASSY	3
0511047024	REAR MOLDBOARD ASSY	4
0511047023	MOLDBOARD	5
0501044088	1.5" X 2.5" X 14 "X 5" HYDRAULIC CYLINDER	6
0501047572	HYDRAULIC CYLINDER	7
0501044080	RETAINING VALVE	8



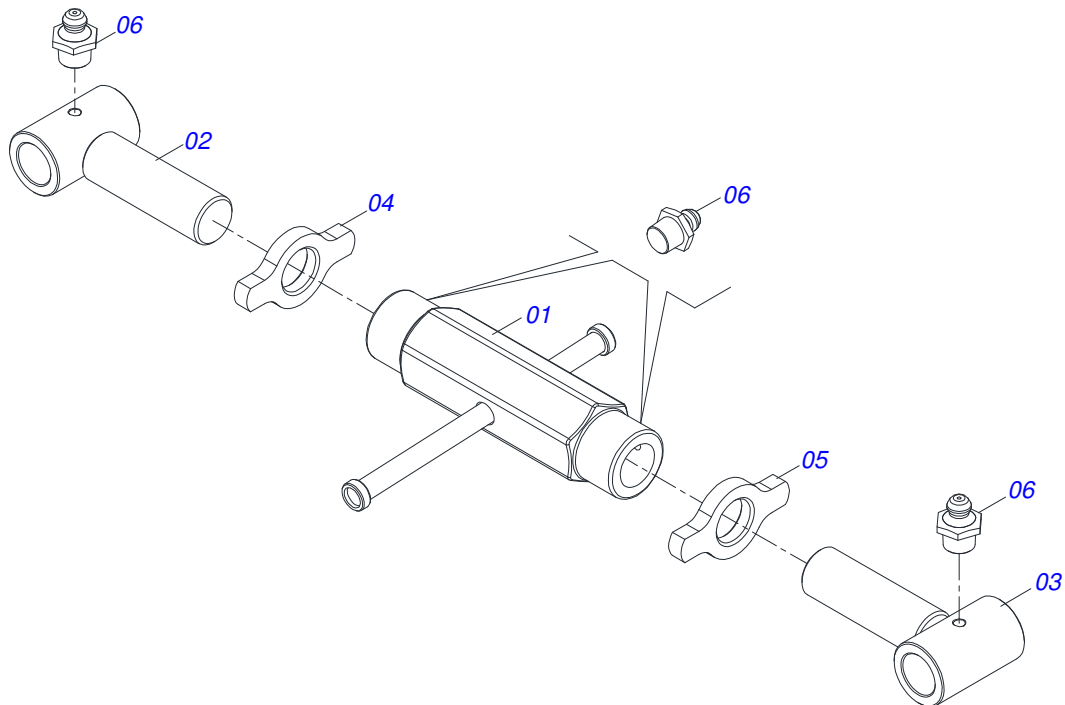
Item	Code	Description	03 04 05
01	0511069632	DRAWBAR	01 01 01
02	0511069631	FRAME FOR MOLDBOARD	01 00 00
02.	0521060325	FRAME FOR MOLDBOARD 4	00 01 00
02..	0511069631	FRAME FOR MOLDBOARD	00 00 01
03	0551018968	PLATE LOWER FIXER FRAME FOR MOLDBOARD	01 01 01
04	0521011631	AUTOMATIC RESET	03 04 05
05	0511069624	COUPLING SHAFT	01 01 01
06	0551018971	GUIDE REVERSAL FRAME DOOR AIVECA	01 01 01
07	0501065741	HITCH BAR	01 01 01
08	0501067264	AXLE DRAWBAR	01 01 01
09	0511069625	ARM FIXER CARRYING-WHEELS	01 01 01
10	0501047699	ESTABILIZER WITH BUSHING ASSY	01 01 01
11	0511069626	FORK FIXER WHEEL REAR	01 01 01
12	0503060094	WHEEL AND TIRE ASSY	01 01 01
13	0501052245	STUB SHAFT& HUB ASSY	02 02 02
14	0521014038	1.1" X 7.6" COUPLING SHAFT	03 04 05
15	0521014037	1.1" X 8.4" COUPLING SHAFT	03 04 05
16	0511015689	1.1" X 3.5" COUPLING SHAFT	05 05 05
17	0521014027	1-1/2" X 9.8" PIVOT SHAFT	01 01 01
18	0501011301	1.1/2 UNC 6FPP 2.5/16 NUT	01 01 01
19	0521014092	AXLE LOCK	01 01 01
20	0521014216	COUPLING SHAFT	16 20 24
21	0511047024	REAR MOLDBOARD ASSY	01 01 01
22	0501044088	1.5" X 2.5" X 14 "X 5" HYDRAULIC CYLINDER	01 01 01
23	0501047572	HYDRAULIC CYLINDER	01 01 01
24	0503010523	1/4" X 2" COTTERPIN	10 16 20
25	0521010498	0.9" X 5.1" COUPLING SHAFT	01 01 01
26	0521010629	1.1" X 5.1" COUPLING SHAFT	02 02 02
27	0521010777	0.9" X 3.7" COUPLING SHAFT	02 02 02
28	0503010953	1" X 2" BOLT	08 08 08
29	0521014196	FLAT WASHER	02 02 02
30	0503014880	BOLT	03 03 03
31	0521014014	REAR FIXER FLANGE	01 01 01



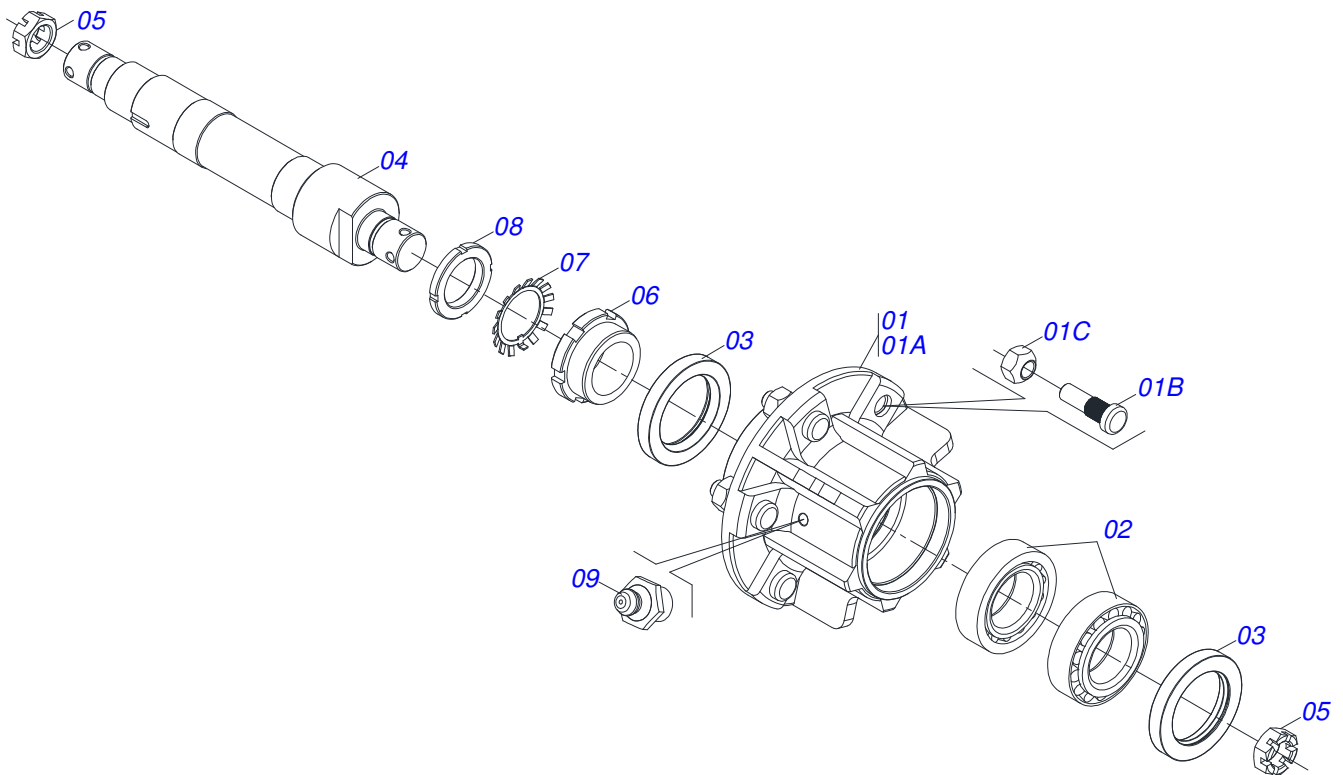
AAR2 - 3/4/5 MOLDBOARD

0909093083

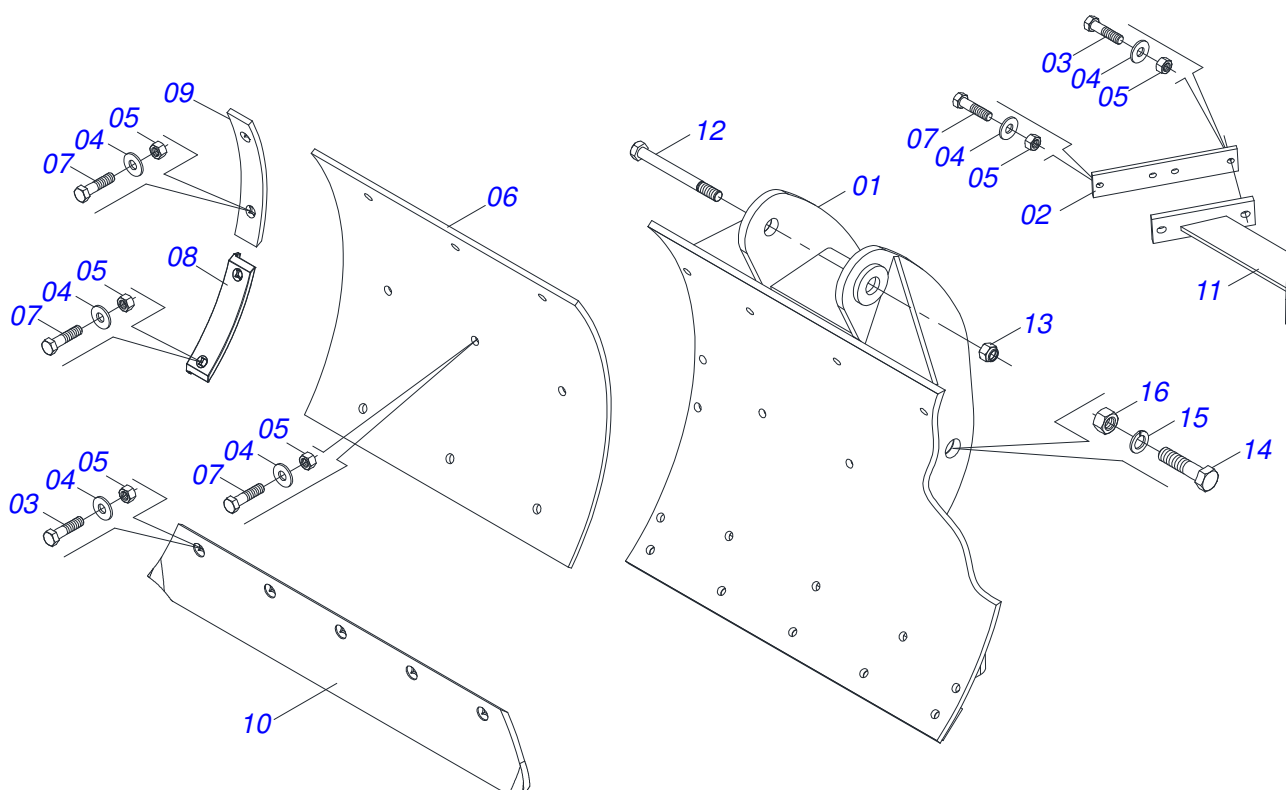
Item	Code	Description	03 04 05
32	0501010100	5/8 UNC X 2 C S G.5 BOLT	02 02 02
33	0531015109	WHEEL AXLE LOCK	02 02 02
34	0503011052	1.1/4" X 0.77" CASTLE NUT	02 02 02
35	0503010002	1800 GREASE FITTING	04 04 04
36	0503011968	T ADAPTOR WITH GIRAT	02 02 02
37	0501044080	RETAINING VALVE	01 01 01
38	0511047023	MOLDBOARD	02 03 04
39	0561018588	COUPLING SHAFT	03 04 05
40	0501011301	1.1/2 UNC 6FPP 2.5/16 NUT	03 04 05
41	0521012538	1.2" X 3.5" COUPLING SHAFT	01 01 01
42	0511019920	LUVA 32,7 X 38,8 X 25,40	01 01 01
43	0503010421	5/16" X 1-1/2" BOLT	03 03 03
44	0503010179	SPRING WASHER	03 03 03
45	0521014033	LOWER SPRING FIXER	03 04 05
46	0503010337	5/16" NUT	03 03 03
47	0502011164	SUPPORT SPRING	03 04 05
48	0503010571	1/4" X 1.1/2 COTTERPIN	10 16 20
49	0501010617	3/4" NIPPLE	04 04 04
50	0503010190	2-114 N 3006-9B O'RING	04 04 04
51	0503010067	3/16" X 2.1/2" COTTER PIN	02 02 02
52	0501080406	3/8" X 23" TR-TC HOSE ASSY	02 02 02
53	0501080440	3/8" X 53" TR-TM HOSE ASSY	02 02 02
54	0501080439	3/8" X 43" TR-TR HOSE ASSY	02 02 02
55	0511011591	4.0" X 4.0" PLATE	04 04 04
56	0511013244	FLAT WASHER	01 01 01
57	0503010012	1" SPRING WASHER	09 09 09
58	0511014869	1" X 2" WITH HOLE BOLT	01 01 01
59	0503031515	1.2" X 5.1" X 0.2" EXTENSION SPRING	03 06 09
60	0503011627	QUICK CONNECTION (MALE) AGR 1/2 NPT	03 06 09
61	0503812555	BOLT	03 04 05
62	0503810244	7/16 NC S LIGHT NUT	03 04 05
63	0501812803	FLAT WASHER	03 04 05



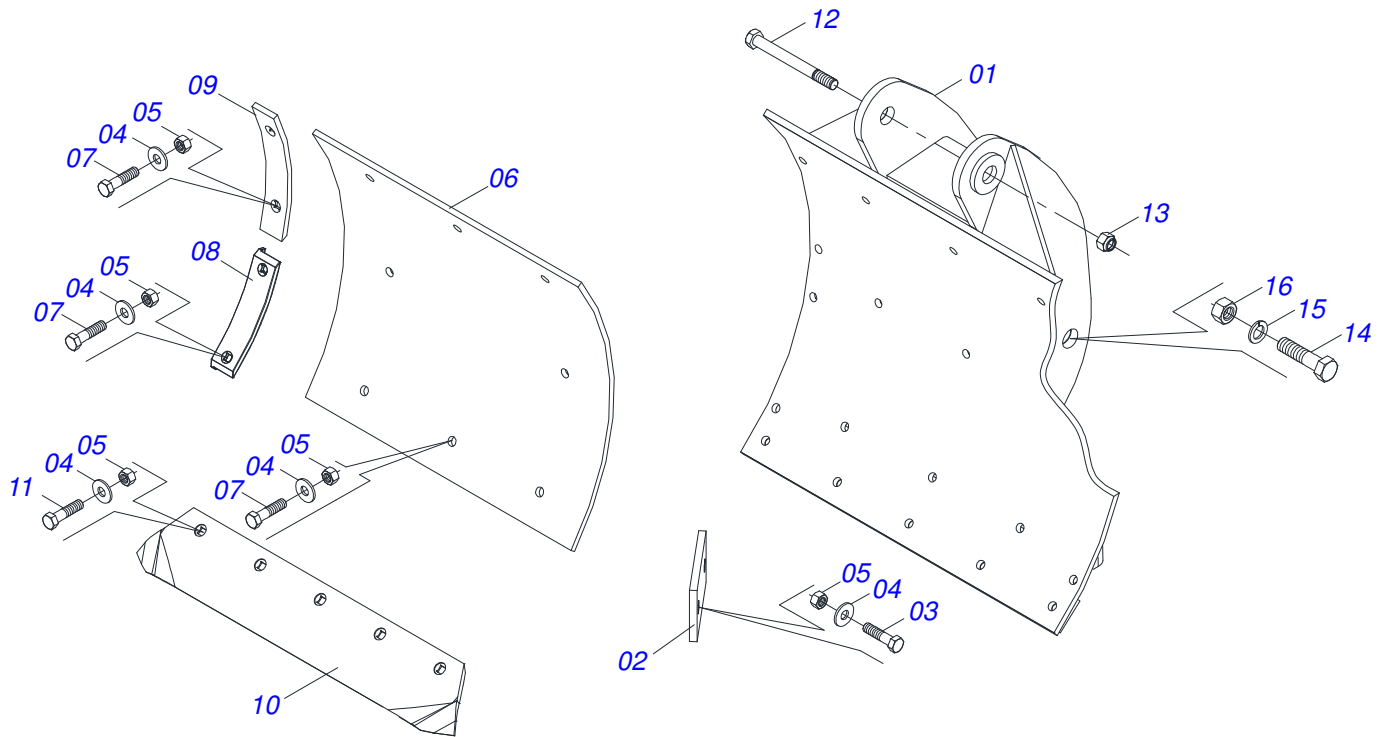
Item	Code	Description	QT
01	0501110262	245 ADJUSTMENT NUT	01
02	0501064001	RIGHT JACK CRANK	01
03	0501064002	LEFT JACK CRANK	01
04	0541018672	COUNTERNUT	01
05	0541018673	COUNTERNUT	01
06	0503010002	1800 GREASE FITTING	04



Item	Code	Description	QT
01	0501110733	WHEEL HUB	01
01A	0502011120	TRANSP WHEEL HUB	01
01B	0501010127	9/16" X 1-7/8" LUG BOLT	06
01C	0503010035	9/16" CONIC NUT	06
02	0503010328	25590/25523 ROLLER BEARING	02
03	0503010804	00547-B SEAL	02
04	0521014068	CARRYING WHEEL AXLE	01
05	0503011052	1.1/4" X 0.77" CASTLE NUT	02
06	0511015949	LOCK NUT	01
07	0503010329	LOCK WASHER	01
08	0503010330	KM 9 LOCKNUT	01
09	0503010002	1800 GREASE FITTING	01

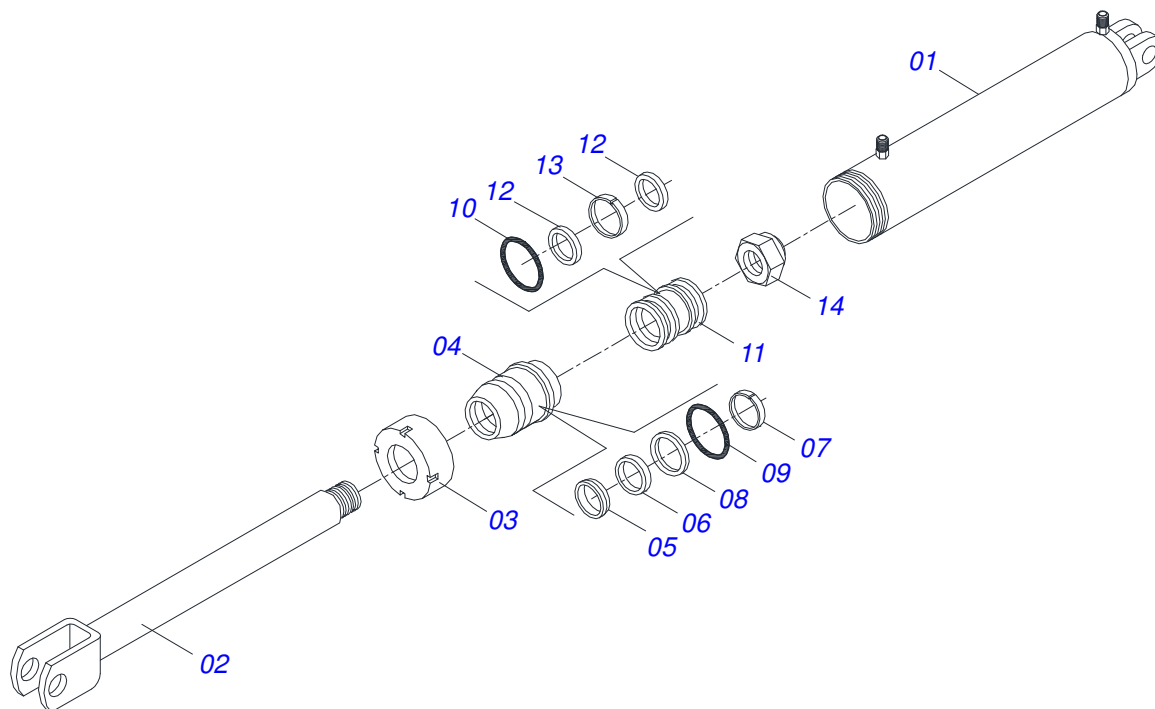


Item	Code	Description	QT
01	0511069630	MOLDBOARD (AAR2)	01
02	0511011801	LARGER MOLDBOARD GUIDES	02
03	0503010773	7/16" X 1-3/4" BOLT	05
04	0501012803	FLAT WASHER	29
05	0503010244	7/16" NUT	29
06	0511011127	PLASTIC LINING	01
07	0503011426	7/16" X 1-1/4" BOLT	20
08	0502070060	LOWER BAR STOP MOLDBOARD	02
09	0511011126	UPPER BAR STOP MOLDBOARD	02
10	0622380002	SHEAR POINT	01
11	0501065737	REAR SUPPORT GUIDE	01
12	0503811118	BOLT	01
13	0503011125	SELF ADJUSTING 7/8" UNC NUT	01
14	0511013017	1/2" X 5-1/2" BOLT	01
15	0503011440	SPRING WASHER	01
16	0503010060	1/2" NUT	01

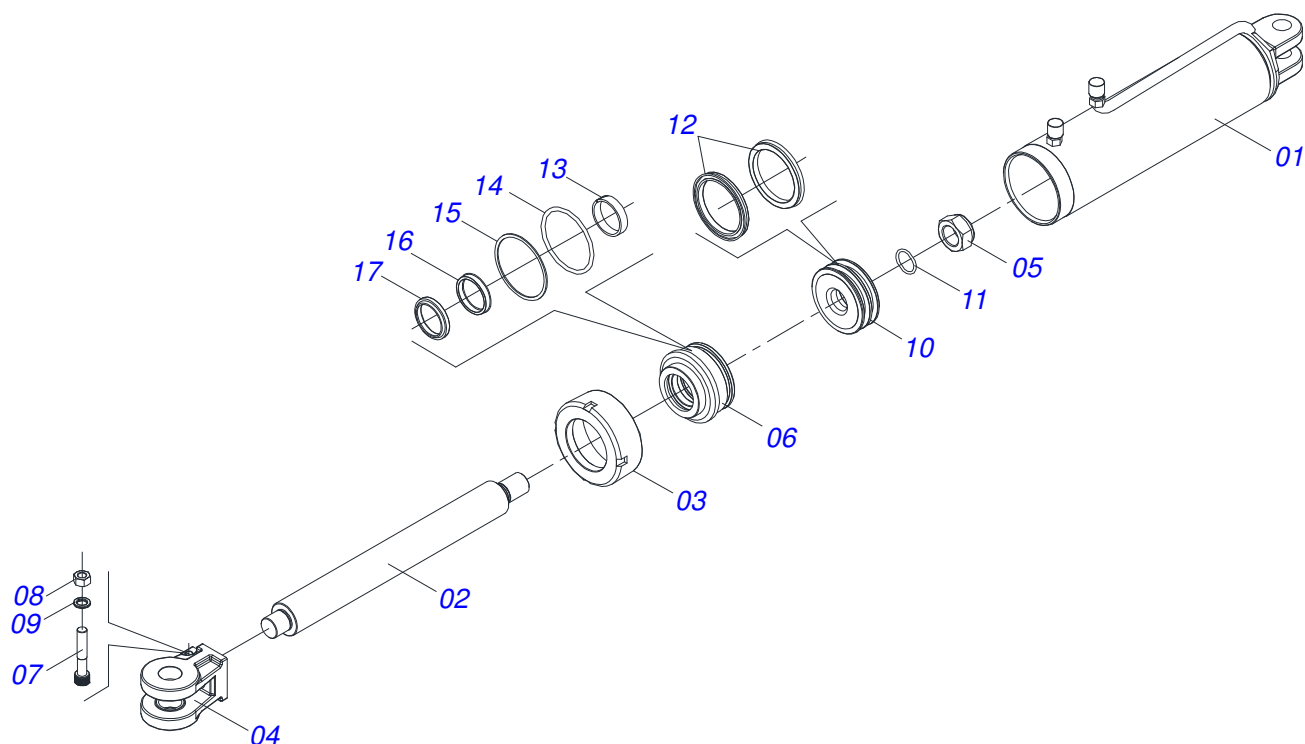


Item	Code	Description	QT
01	0511069630	MOLDBOARD (AAR2)	01
02	0511011175	SMALLER MOLDBOARD GUIDES	02
03	0503011199	7/16" X 1-1/2" BOLT	04
04	0501012803	FLAT WASHER	25
05	0503010244	7/16" NUT	25
06	0511011127	PLASTIC LINING	01
07	0503011426	7/16" X 1-1/4" BOLT	16
08	0502070060	LOWER BAR STOP MOLDBOARD	02
09	0511011126	UPPER BAR STOP MOLDBOARD	02
10	0622380002	SHEAR POINT	01
11	0503010773	7/16" X 1-3/4" BOLT	05
12	0503011118	7/8" X 5-1/2" BOLT	01
13	0503011125	SELF ADJUSTING 7/8" UNC NUT	01
14	0511013017	1/2" X 5-1/2" BOLT	01
15	0503011440	SPRING WASHER	01
16	0503010060	1/2" NUT	01

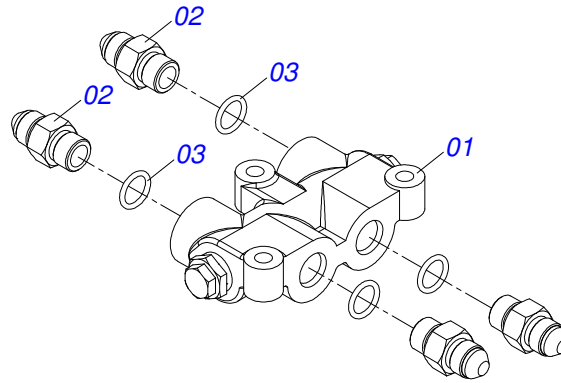
1.5" X 2.5" X 14 "X 5" HYDRAULIC CYLINDER



Item	Code	Description	QT
01	0501065906	2.5" X 5" CYLINDER CASE	01
02	0501069047	HYDRAULIC CYLINDER TURNBUCKLE	01
03	0502010471	MOBILE COVER	01
04	0502010780	RING SUPPORT	01
05	0503010163	D-1500 SCRAPER RING	01
06	0503010989	1870-1500-375-B GASKET	01
07	0503010970	W1-1650-500 PK O'RING G.E	01
08	0503011058	8-330 BACK-UP RING	01
09	0503010161	2-330 N 3006 9B O'RING	01
10	0503010285	2-222 N 3006-9B O'RING	01
11	0502010783	1.5" X 2.5" PISTON	01
12	0503010160	2500 2000 GASKET	02
13	0503010973	W2-2500-500 PK O'RING G.E	01
14	0503010063	1" SELF-ALIGNING NUT	01
15	0501032666	HYDRAULIC CYLINDER REPAIR KIT	01



Item	Code	Description	QT
01	0501068739	63,50 X 487 CYLINDER CASE	01
02	0521010035	ROD	01
03	0502010017	4" HEAD	01
04	0502040747	FORK	01
05	0503010044	1-1/4" SELF-ADJUSTING NUT	01
06	0502010778	2" X 4.2" RING SUPPORT	01
07	0503011094	3/8" X 2" BOLT C C S I 12.9	01
08	0503010026	3/8" NUT	01
09	0503010025	3/8 SPRING WASHER	01
10	0502010682	2"X4" PISTON	01
11	0503010345	2-218 N 3006-9B O'RING	01
12	0503010043	PACKING 3750-3250	02
13	0503010952	W2-2250-500 PK RING G.E	01
14	0503010338	2-342 N 3006-9B O'RING	01
15	0503011061	8-342 BACK-UP RING	01
16	0503010991	PACKING 1870-2000-375-B	01
17	0503010039	D-2000 SCRAPER RING	01



Item	Code	Description	QT
001	0503060113	VALVE	01
002	0501010617	3/4" NIPPLE	04
003	0503010190	2-114 N 3006-9B O'RING	04



MARCHESAN IMPLEMENTOS E MÁQUINAS AGRÍCOLAS TATU S.A.

AV. Marchesan, 1979 - Post office box, 131 - CEP 15994-900 - Matão - SP - Brazil

Phone +55 16.3382-8282

(FAX Parts) + 55 16.3382. 8297 - (Export) + 55 16.3382.1003

e.mail: tatu@marchesan.com.br www.marchesan.com.br

Technical Publications: Elaboration

MARINA PEREZ NIZA

Technical Publications: Revision

MARINA PEREZ NIZA

Contact Catálogo:

E-mail = jgaspari@marchesan.com.br

**ORIGINAL PARTS
TATU**

