

DISK PLOWIMOLDBOARD PLOWITERRACING PLOW

ARPR - 05D

Code: 0501092367
Series: S-0618
Revision: 00
Date Revision: NOVEMBRO/2018

PARTS CATALOGUE



MARCHESAN



PRODUCTS

Code	Description
0101030020	AR 5 X 28 X 6,00 PR S-0618
0101030021	AR 5 X 30 X 7,50 PR S-0618

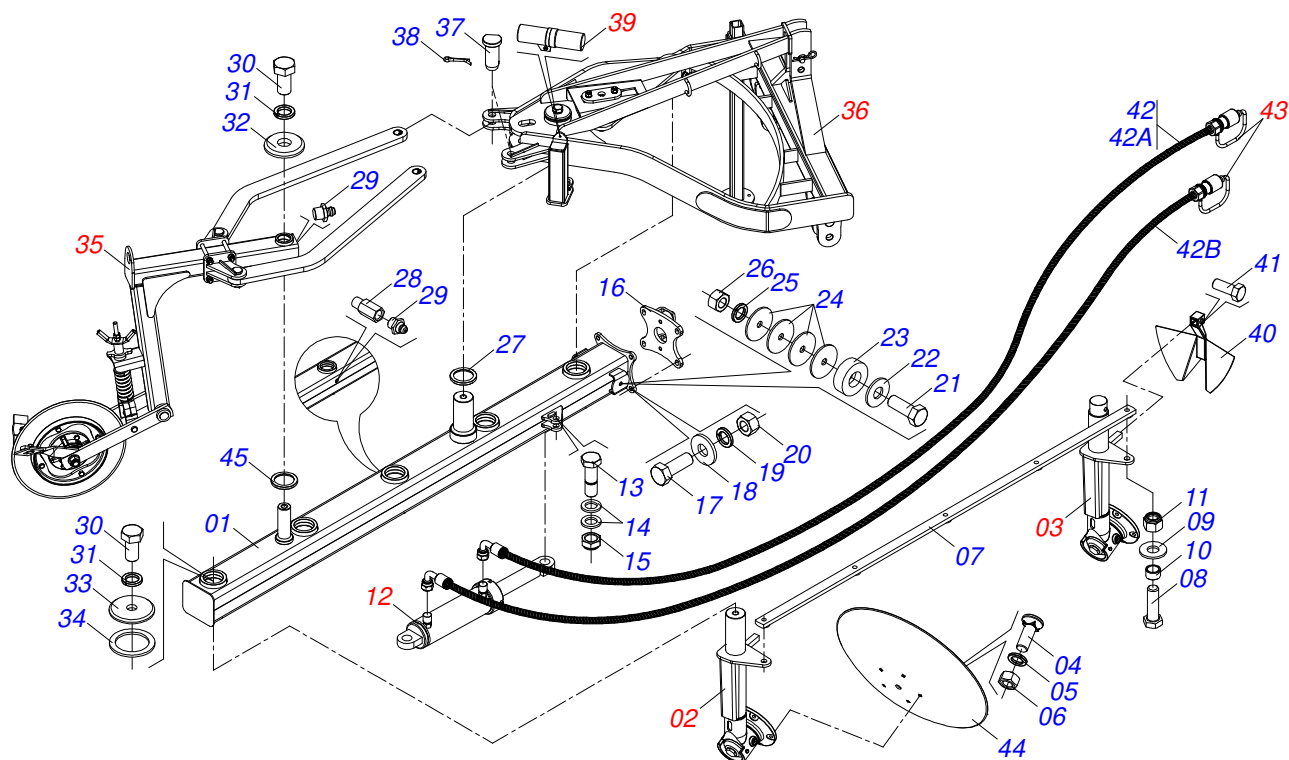
ATTENTION: IMPORTANT

Marchesan S.A. reserves the right to improve and / or modify the technical features of its products, without obligation to do the same with those products already sold and without prior knowledge of the dealer or the consumer.



INDEX

0909094934	FRAME ASSY	1
0521045522	INNER PLOUGH SUPPORT BODY	2
0521045524	INNER PLOUGH SUPPORT BODY	3
0501043464	1.5" X 2.5" X 13" X 5.7" HYDRAULIC CYLINDER	4
0909094940	WHEEL SUPPORT ASSY	5
0909094942	ASSY HEADER	6
0521053309	INSTRUCTION MANUAL ASSY	7
0501053834	MALE QUICK COUPLER WITH CAP - 1/2 NPT	8



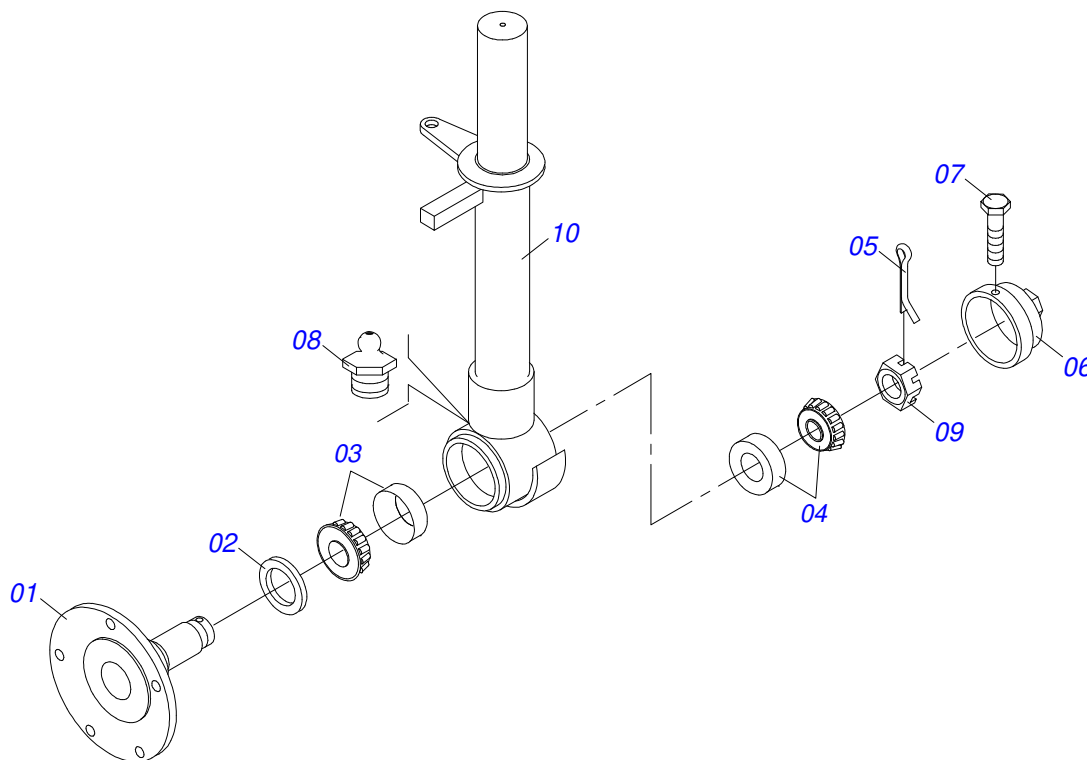
Item	Code	Description	See page	QT
01	0521068701	FRAME DOOR DISCS		01
02	0521045522	INNER PLOUGH SUPPORT BODY	2	04
03	0521045524	INNER PLOUGH SUPPORT BODY	3	01
04	0503012956	1/2" X 1-1/2" BOLT		25
05	0503010019	1/2" SPRING WASHER		25
06	0503012682	1/2" BSW NUT		25
07	0521068699	PEDESTAL CONNECTION BAR		01
08	0501010125	3/4" X 2-1/2" BOLT		05
09	0501010322	FLAT WASHER		06
10	0581012830	BUSHING		05
11	0503011075	3/4" UNC NUT		05
12	0501043464	1.5" X 2.5" X 13" X 5.7" HYDRAULIC CYLINDER	4	01
13	0581013463	SPRING AXLE FICACCION		02
14	0581012826	FLAT WASHER		04
15	0503014182	SELF-ADJUSTING NUT		02
16	0521045525	PULLEY		01
17	0503810899	SCREW		04
18	0501812140	FLAT WASHER		04
19	0503011445	SPRING WASHER		04
20	0503010013	5/8" NUT		04
21	0503010899	5/8" X 2-1/4" BOLT		02
22	0571010265	16.5 X 40 X 3 FLAT WASHER		02
23	0521011481	FRAME BATTERY		02
24	0571013284	17.5 X 90 X 4.75 FLAT WASHER		08
25	0503010027	5/8" SPRING WASHER		02
26	0503010013	5/8" NUT		02
27	0581812823	FLAT WASHER X 114 X 12,50		01
28	0571016805	EXTENSION		05
29	0503010002	1800 GREASE FITTING		06
30	0503810953	SCREW UNC X 2 C S		06
31	0503011438	SPRING WASHER		06



ARPR - 05D
FRAME ASSY

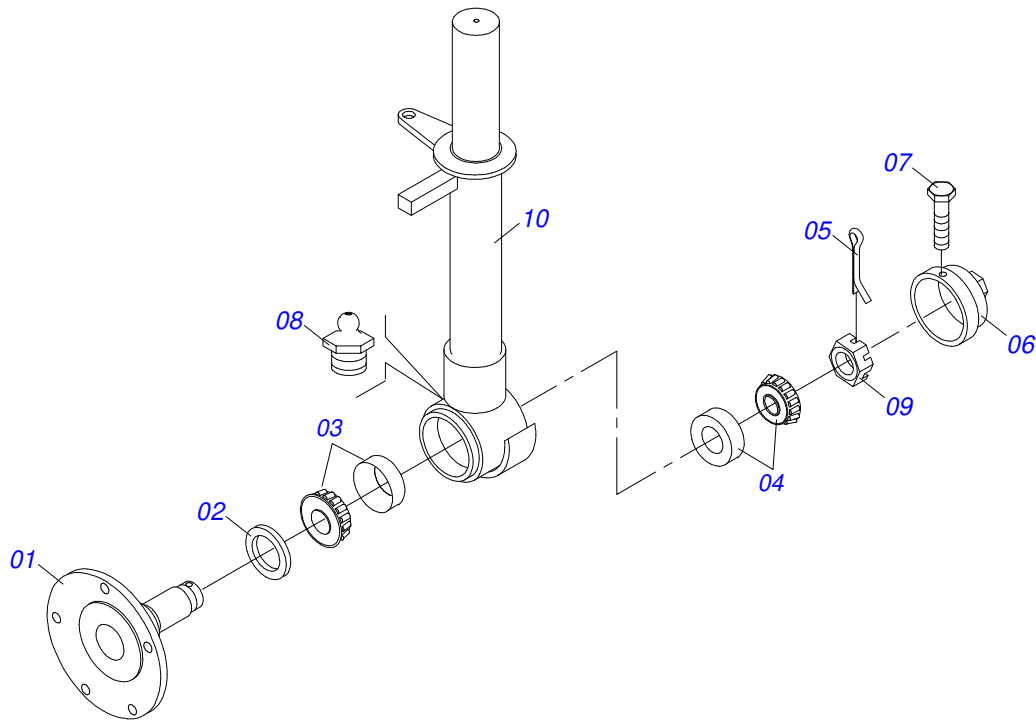
Item	Code	Description	See page	QT
32	0581012835	FLAT WASHER		01
33	0581012832	FLAT WASHER		05
34	0581012816	FLAT WASHER		04
35	0909094940	WHEEL SUPPORT ASSY	5	01
36	0909094942	ASSY HEADER	6	01
37	0581012844	AXLE		02
38	0503010571	1/4" X 1.1/2 COTTERPIN		02
39	0521053309	INSTRUCTION MANUAL ASSY	7	01
40	0521068700	DISC CLEANER		05
41	0501810161	SCREW 1/2 UNC X 1.1/4 C S G.2		05
42	0521053306	PLAY HOSE		01
42A	0521053307	HOSE 3/8 X 2400 TC-TM BROWN / RED		01
42B	0521053308	HOSE 3/8 X 2200 TC-TM BROWN / BLUE		01
43	0501053834	MALE QUICK COUPLER WITH CAP - 1/2 NPT	8	02
44	0601042003	30"X 0.3" PLAIN DISC BLADE		05
44.	0601039002	28" X 0.2" PLAIN DISC BLADE		05
45	0581012836	FLAT WASHER		01

INNER PLOUGH SUPPORT BODY



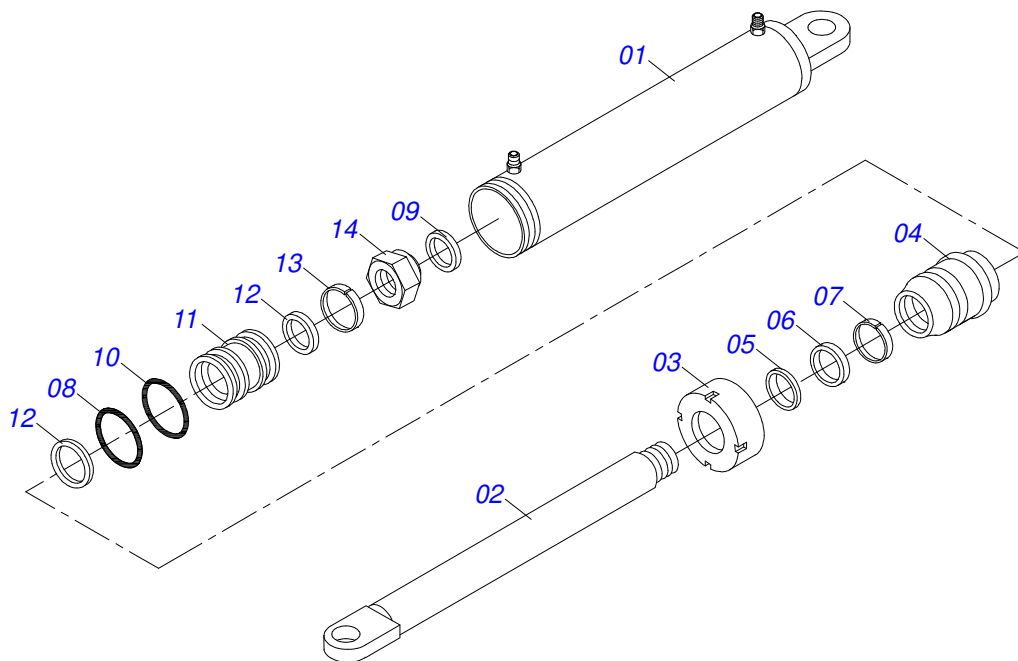
Item	Code	Description	See page	QT
001	0502040091	DISC DISH FOR AF		01
002	0503011866	SEAL 00573-B WITH HOLE		01
003	0503010005	32212 ROLLER BEARING		01
004	0503010006	32210 ROLLER BEARING		01
005	0503010010	1/4" X 2.1/2" COTTERPIN		01
006	0502020597	COVER		01
007	0503010358	5/16" X 5/8" BOLT		01
008	0503010002	1800 GREASE FITTING		01
009	0501010888	1.3/4" 2.5/16" CASTLE NUT		01
010	0521067286	PEDESTAL		01

INNER PLOUGH SUPPORT BODY

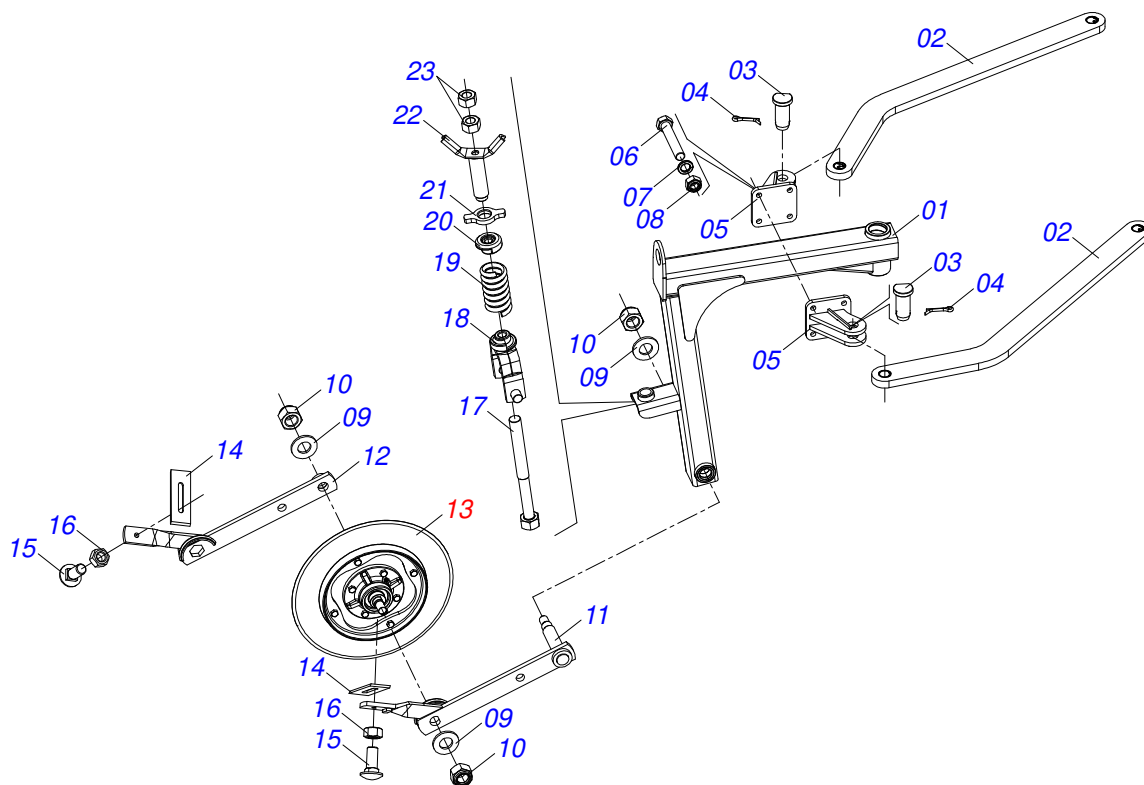


Item	Code	Description	See page	QT
001	0502040091	DISC DISH FOR AF		01
002	0503011866	SEAL 00573-B WITH HOLE		01
003	0503010005	32212 ROLLER BEARING		01
004	0503010006	32210 ROLLER BEARING		01
005	0503010010	1/4" X 2.1/2" COTTERPIN		01
006	0502020597	COVER		01
007	0503010358	5/16" X 5/8" BOLT		01
008	0503010002	1800 GREASE FITTING		01
009	0501010888	1.3/4" 2.5/16" CASTLE NUT		01
010	0521067287	PEDESTAL DIANT		01

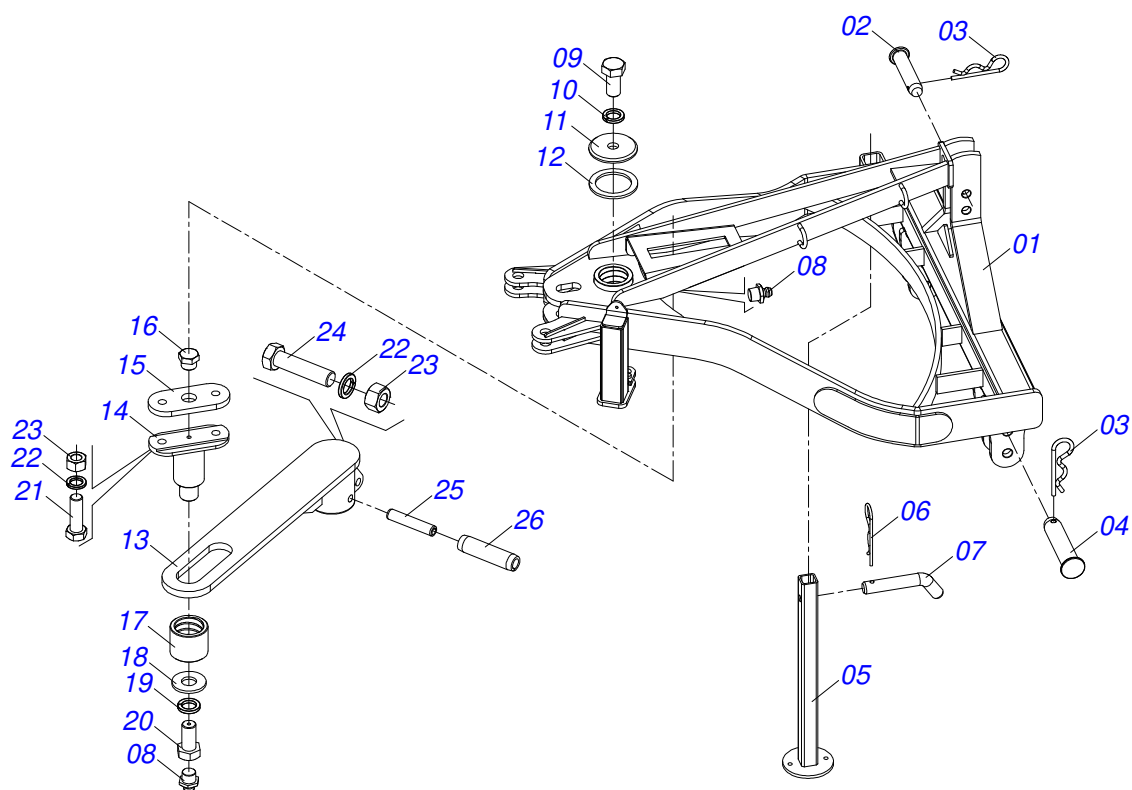
1.5" X 2.5" X 13" X 5.7" HYDRAULIC CYLINDER



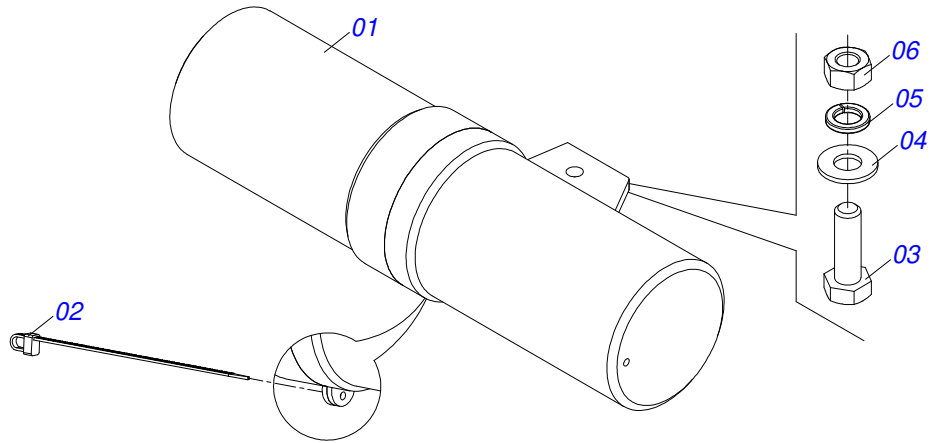
Item	Code	Description	See page	QT
01	0501065175	2.5" X 11.5" CYLINDER CASE		01
02	0501069826	HYDRAULIC CYLINDER TURNBUCKLE		01
03	0502010471	MOBILE COVER		01
04	0502010780	RING SUPPORT		01
05	0503010163	D-1500 SCRAPER RING		01
06	0503010989	1870-1500-375-B GASKET		01
07	0503010970	W1-1650-500 PK O'RING G.E		01
08	0503011058	8-330 BACK-UP RING		01
09	0503010161	2-330 N 3006 9B O'RING		01
10	0503010285	2-222 N 3006-9B O'RING		01
11	0502010783	1.5" X 2.5" PISTON		01
12	0503010160	2500 2000 GASKET		02
13	0503010973	W2-2500-500 PK O'RING G.E		01
14	0503010063	1" SELF-ALIGNING NUT		01
15	0501032666	HYDRAULIC CYLINDER REPAIR KIT		01



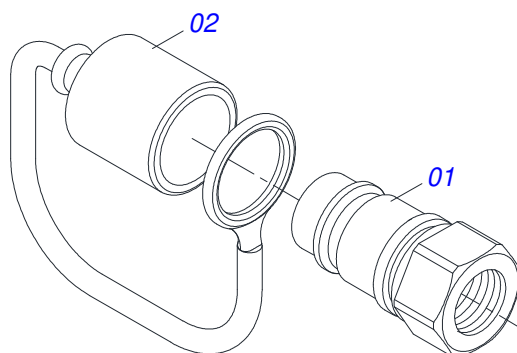
Item	Code	Description	See page	QT
01	0521067302	WHEELS SUPPORT	01	
02	0501110897	COPYING BAR WHEEL DEPTH WITH GLOVE 1085	02	
03	0581812844	SHAFT AXLE 31,75 X 57 AR-PR	02	
04	0503010571	1/4" X 1.1/2 COTTERPIN	02	
05	0521067732	FIXER SUPPORT	02	
06	0501013867	BOLT 5/8 UNC X 6 CS G.5 ZN	04	
07	0503010027	5/8" SPRING WASHER	04	
08	0503013389	5/8" SELF LOCKING NUT	04	
09	0511815994	FLAT WASHER 26 X 50,80 X 4,75	03	
10	0503010063	1" SELF-ALIGNING NUT	03	
11	0501065203	RIGHT ARM FURROW WHEEL	01	
12	0501065202	LEFT ARM FURROW WHEEL	01	
13	0501043789	FURROW WHEEL ASSY	01	
14	0511010353	DISC SCRAPER	02	
15	0501811600	SCREW 1/2 BSW X 1.1/4 CAPQ G.2	02	
16	0503812682	NUT (BSW)	02	
17	0501060108	5/8" X 5/8" X 16.9" STUD	01	
18	0501063497	FORK SPRING	01	
19	0503030441	12.7" X 5.7" X 0.5" SPRING	01	
20	1902040302	APOYO RESORTE	01	
21	0541818672	LOCKNUT	01	
22	0501060107	REGULATOR BOLT	01	
23	0503810013	NUT 5/8 NC	02	



Item	Code	Description	See page	QT
01	0521067301	DRAWBAR		01
02	0521010579	COUPLING SHAFT		01
03	0503031035	HAIR PIN		03
04	0521010596	COUPLING SHAFT		02
05	0521067297	REPOS		01
06	0503030012	HAIR PIN		01
07	0501011075	PIN		01
08	0503010002	1800 GREASE FITTING		02
09	0503810953	SCREW UNC X 2 C S		01
10	0503011438	SPRING WASHER		01
11	0581012832	FLAT WASHER		01
12	0581012816	FLAT WASHER		01
13	0521067298	SHAFT		01
14	0521067733	SPEED REGULATOR		01
15	0501010717	FIXER REGULATOR SPEED		01
16	0511017907	1/8" BSPT X 6 PLUG		01
17	0551016504	GLOVE 38,40 X 51,04 X 42,50		01
18	0501810322	FLAT WASHER		01
19	0503011442	3/4" SPRING WASHER		01
20	0551019425	3/4" X 1-1/2" BOLT		01
21	0501810161	SCREW 1/2 UNC X 1.1/4 C S G.2		02
22	0503011445	SPRING WASHER		03
23	0503810013	NUT 5/8 NC		03
24	0503810233	5/8" X 2-1/2" BOLT		01
25	0503010928	0.4" X 4" SPRING PIN		01
26	0503010927	0.6" X 3.9" SPRING PIN		01



Item	Code	Description	See page	QT
01	0503060100	OPERATOR'S MANUAL STORAGE TUBE		01
02	0503010267	NYLON CLAMP		01
03	0503010363	5/16" X 1" BOLT		01
04	0501010694	8.5 X 18 X 1.5 FLAT WASHER		01
05	0503010179	5/16" ZN SPRING WASHER		01
06	0503010337	5/16" NUT		01



Item	Code	Description	See page	QT
01	0503011627	MALE QUICK COUPLER AGR 1/2 NPT		01
02	0503011882	MALE QUICK COUPLER CAP		01



MARCHESAN

Technical Publications | Elaboration and Revision

ALESSANDRA PATRICIA KAWAHARA CARRILI

www.marchesan.com.br

