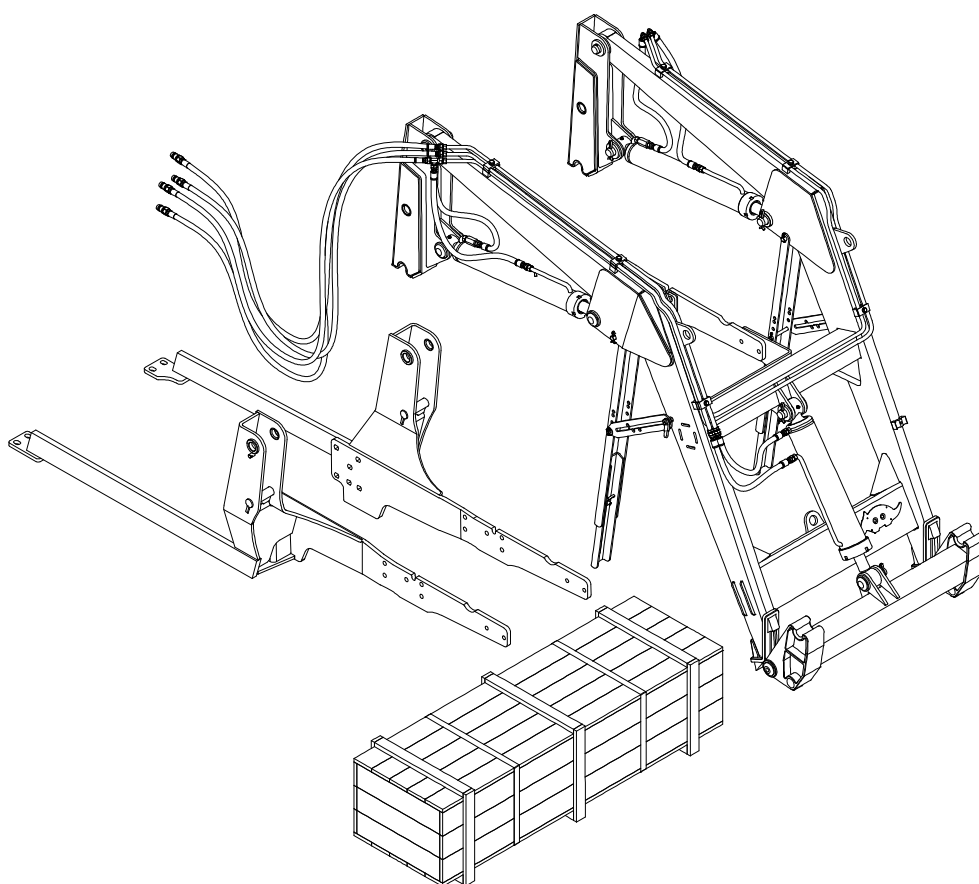


PARTS CATALOG

PCA - AGRICULTURAL FRONT LOADER

PCA 600 BT SC SL - VTR A750A950-4

Code: 0501092362



Series: S-0814

Rev.: 00

Date Rev.: OUTUBRO/2018

ORIGINAL PARTS
TATU



PRODUCTS

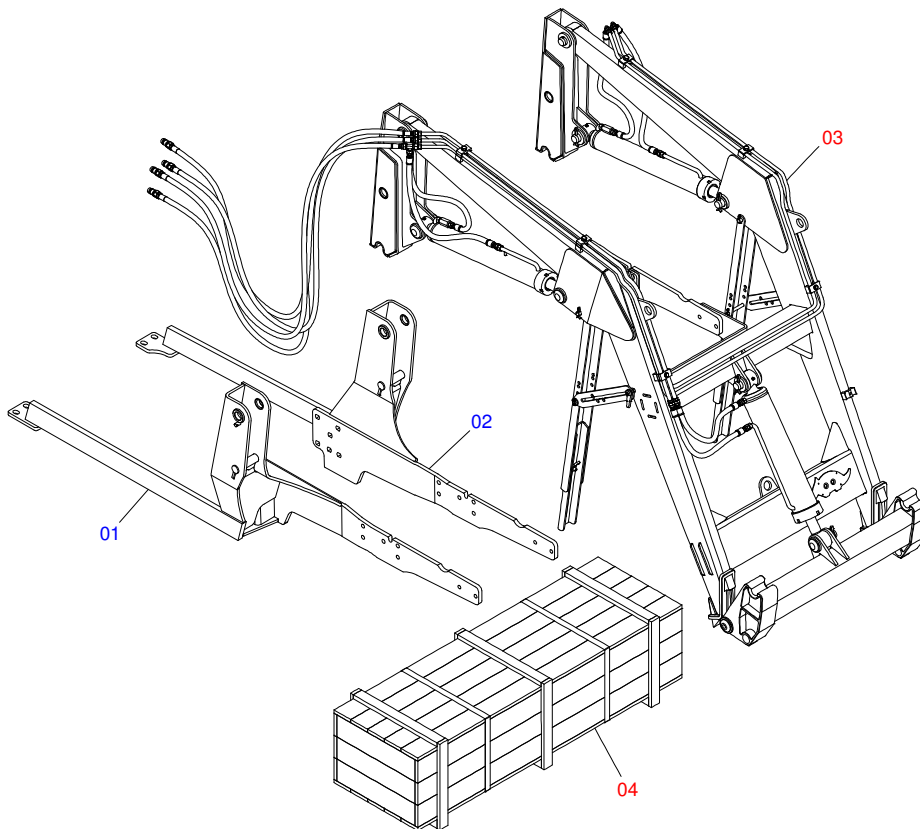
Code	Description
0106111470	PCA 600 VTR A750A950-4BT SCSL S0814

ATTENTION: **IMPORTANT**

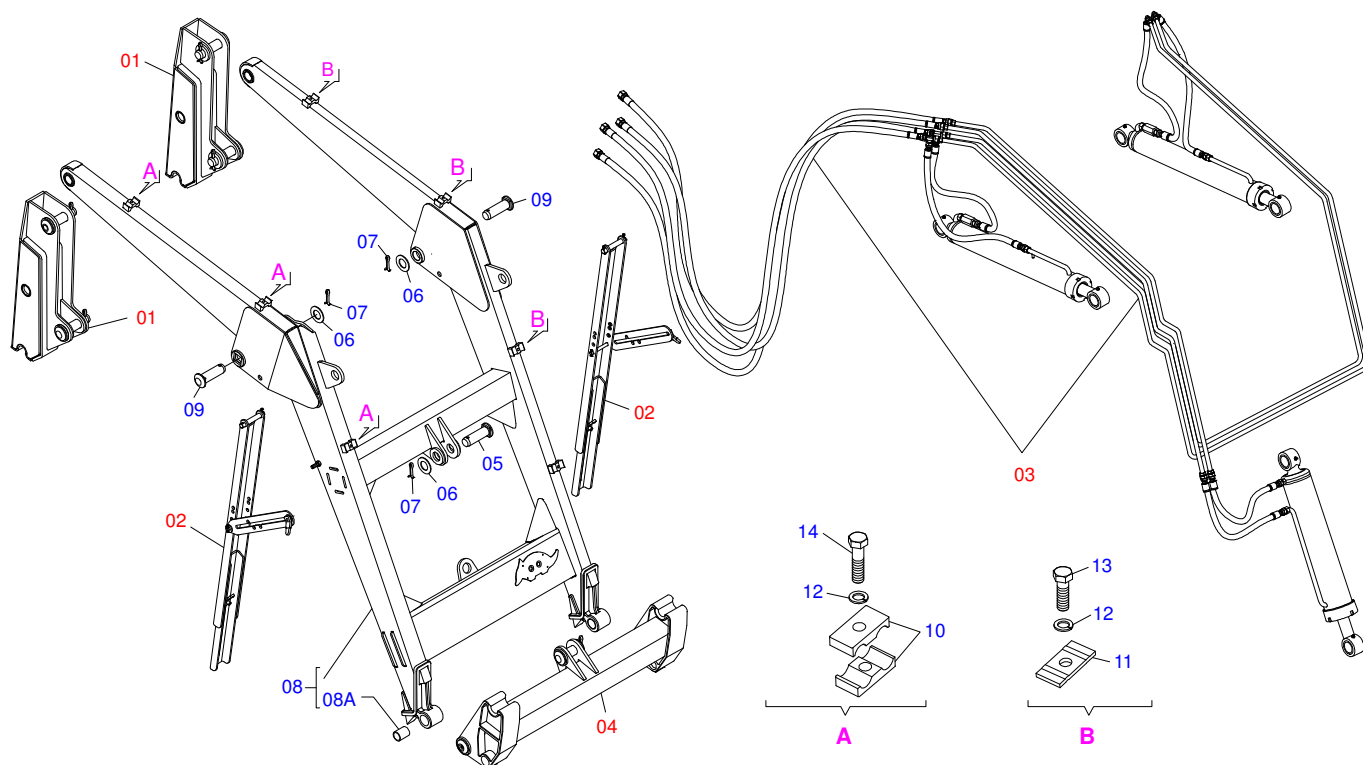
MARCHESAN S/A RESERVES THE RIGHT AT ANY TIME TO MAKE IMPROVEMENTS IN THE DESIGN, MATERIAL OR SPECIFICATIONS OF MACHINERY, EQUIPMENT OR PARTS WITHOUT THEREBY BECOMING LIABLE TO MAKE SIMILAR CHANGES IN MACHINERY, EQUIPMENT OR PARTS PREVIOUSLY SOLD.

INDEX

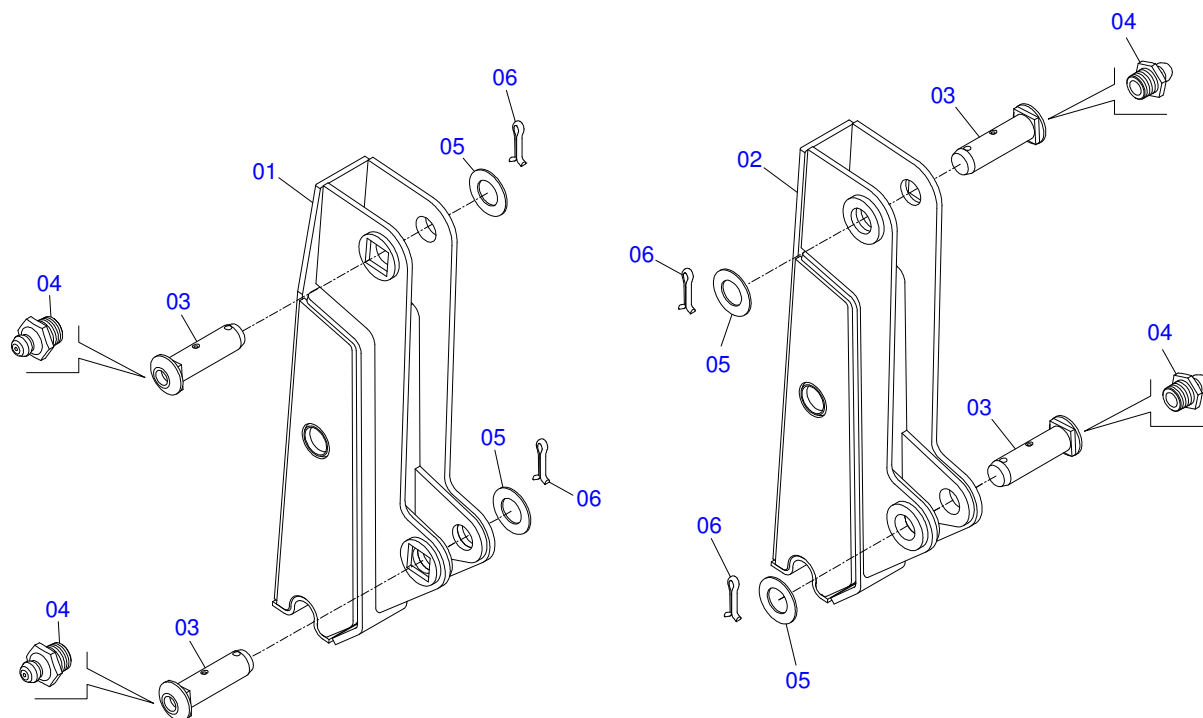
0106111470	FULL PCA 600 SC SL - VTR	1
0511049299	FULL MOVABLE STAND - PCA 600 VTR	2
0909094888	SET TOWERS OF SUPPORT MOVEL	3
0909092667	ADJUSTABLE REST OF MOVABLE SUPPORT	4
0909094890	HYDRAULIC CIRCUIT OF MOBILE SUPPORT	5
0521050762	44,45 X 76,20 X 865 X 555 HYDRAULIC CYLINDER	6
0511057915	44,45 X 101,60 X 702 X 738 HIDRAULIC CYLINDER	7
0501053834	MALE QUICK COUPLING AGRICULTURAL WITH COVER - 1/2 NPT	8
0909094826	ARTICULATOR SUPPORT AND COMPONENTS	9
0521020876	BOX WITH COMPONENTS	10
0511031461	PACKED PARTS	11



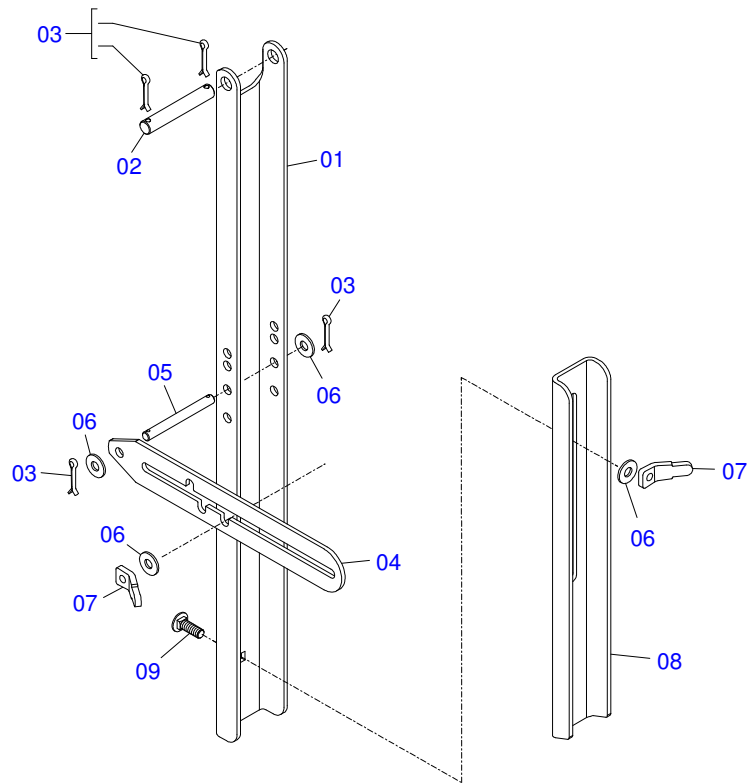
Item	Code	Description	QT
01	0521063503	RIGHT FRAME	01
02	0521063466	LEFT FRAME	01
03	0511049299	FULL MOVABLE STAND - PCA 600 VTR	01
04	0521020876	BOX WITH COMPONENTS	01



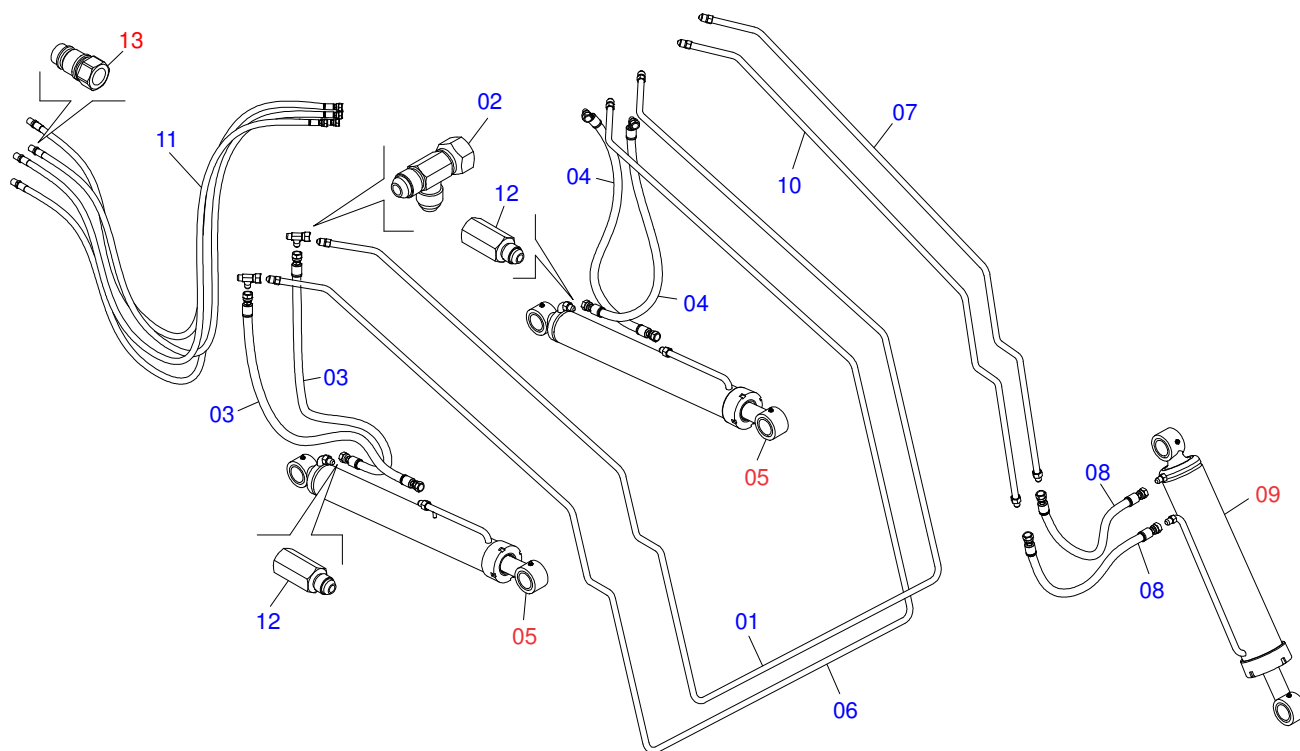
Item	Code	Description	QT
01	0909094888	SET TOWERS OF SUPPORT MOVEL	01
02	0909092667	ADJUSTABLE REST OF MOVABLE SUPPORT	02
03	0909094890	HYDRAULIC CIRCUIT OF MOBILE SUPPORT	01
04	0909094826	ARTICULATOR SUPPORT AND COMPONENTS	01
05	0511019521	1.5" X 1.4" PIVOT SHAFT	02
06	0511019685	FLAT WASHER	06
07	0503010534	3/8 X 2-1/2 COTTERPIN	06
08	0521061683	MOBILE SUPPORT - PCA MF-4275/4283	01
09	0521010904	1.5" X 1.4" PIVOT SHAFT	02
10	0502010477	UPPER CLIP	06
11	0531011180	UPPER BODY CLIP	03
12	0503010180	7/16" SPRING WASHER	06
13	0503011102	PARAFUSO 7/16 UNC X 1.1/4 C S G.5	03
14	0503012555	7/16" X 2" BOLT	03



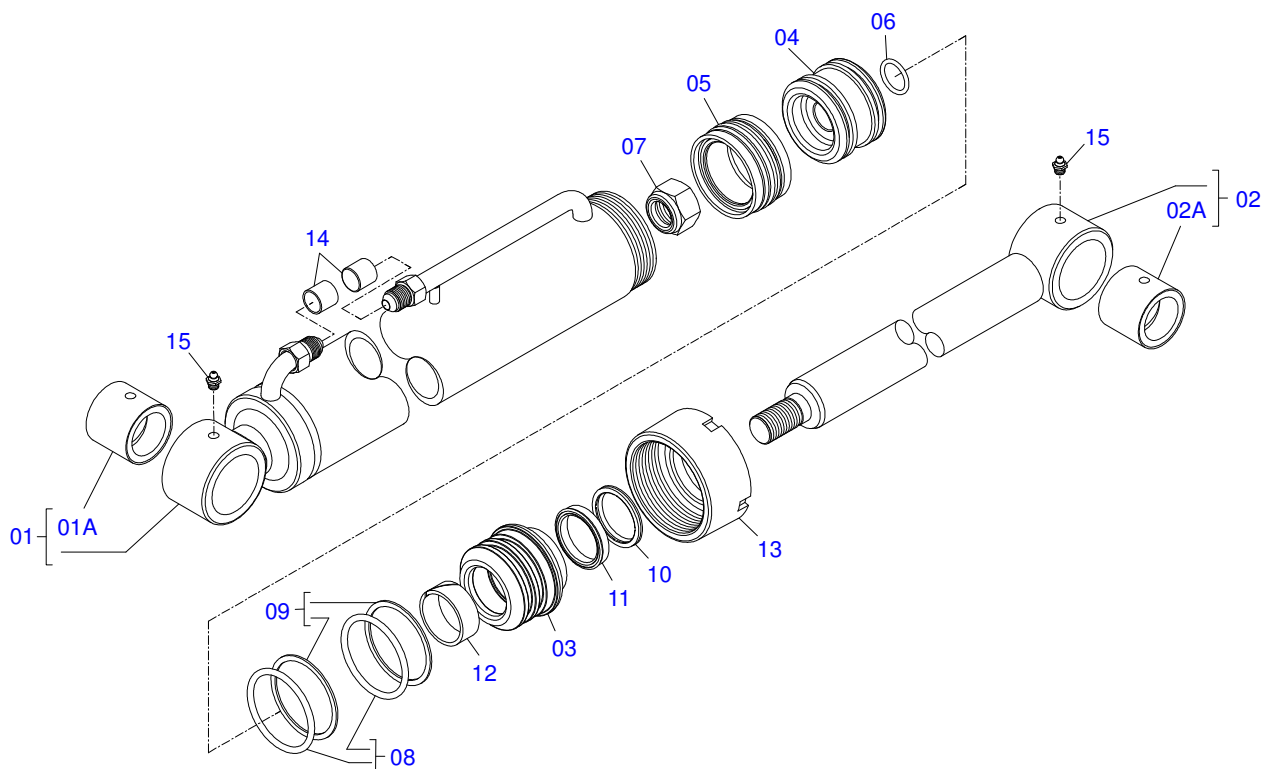
Item	Code	Description	QT
01	0521062319	RIGHT MOVABLE TOWER 30 - PCA VTRA750	01
02	0521062320	LEFT MOVED LEFT TOWER 10 - PCA VTRA750	01
03	0511019519	1.5" X 1.4" PIVOT SHAFT	02
04	0503010002	1800 GREASE FITTING	02
05	0511019685	FLAT WASHER	04
06	0503010534	3/8 X 2-1/2 COTTERPIN	04



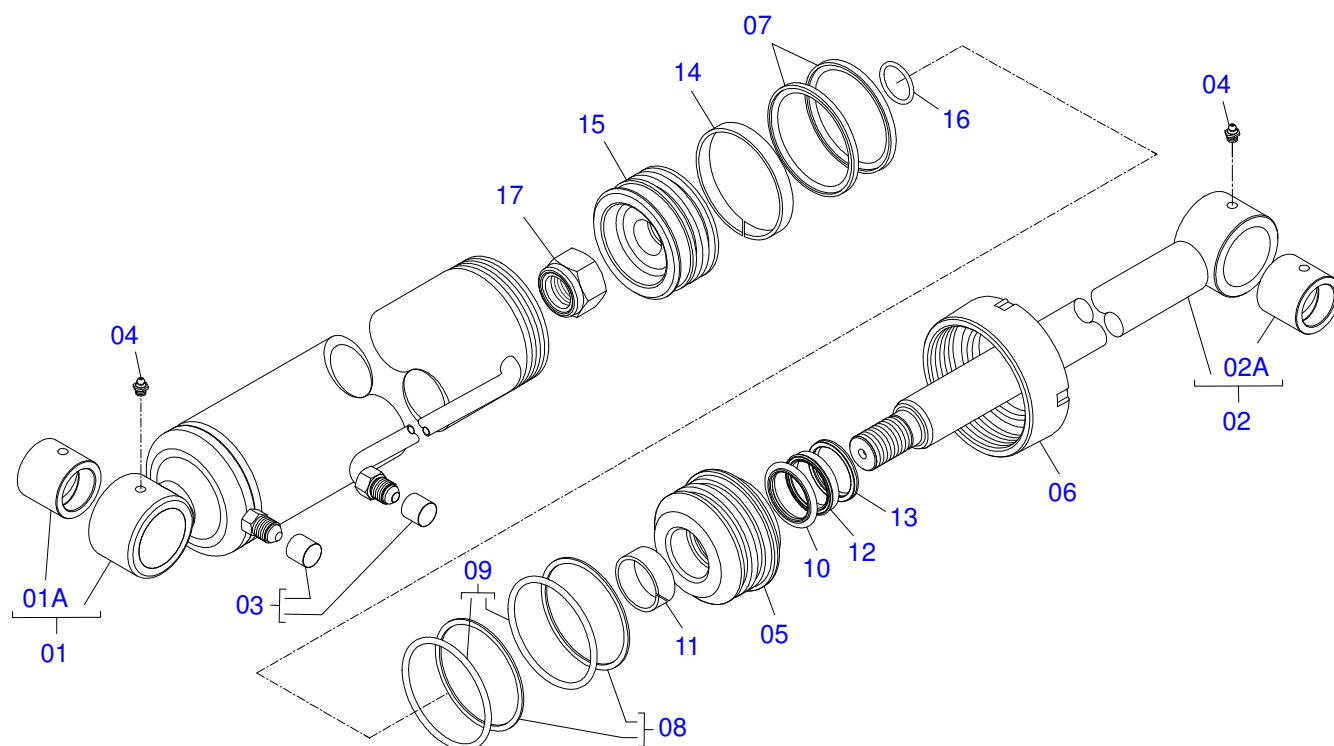
Item	Code	Description	QT
01	0561016401	PLOUGH SUPPORT BODY	02
02	0511013598	3/4" X 4.7" COUPLING SHAFT	02
03	0503010071	3/16" X 1" COTTERPIN	08
04	0511019634	CONTROL LOCK	02
05	0521012823	COUPLING SHAFT	02
06	0511017302	FLAT WASHER	08
07	0561016329	LATCH HOLDER REST PCA	04
08	0561016619	COMPLEMENTON REST	02
09	0503014378	1/2" X 1-1/2" BOLT	02



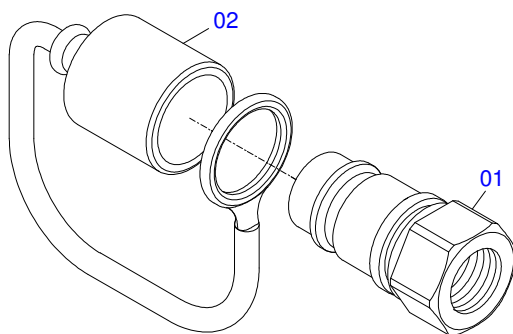
Item	Code	Description	QT
01	0521061694	INTERNAL OIL DISTRIBUTOR - PCA 4275/4283	01
02	0503011968	T ADAPTOR WITH GIRAT	02
03	0501080105	TR-TR HOSE ASSY	02
04	0501080413	3/8" X 27" TR-TC HOSE ASSY	02
05	0521050762	44,45 X 76,20 X 865 X 555 HYDRAULIC CYLINDER	02
06	0521061695	EXTERNAL OIL DISTRIBUTOR - PCA 4275/4283	01
07	0521061696	INTERNAL TOP OIL DISTRIBUTOR - PCA 4275/4283	01
08	0501080635	3/8" X 19" TR-TR HOSE	02
09	0511057915	44,45 X 101,60 X 702 X 738 HIDRAULIC CYLINDER	01
10	0521062948	UPPER OUTER OIL DISTRIBUTOR	01
11	0501081124	HOSE 3/8" X 4200-TM TR	01
12	0511057773	R.3/4 UNF SAFETY VALVE ASSEMBLY - PD/PCA	02
13	0501053834	MALE QUICK COUPLING AGRICULTURAL WITH	04



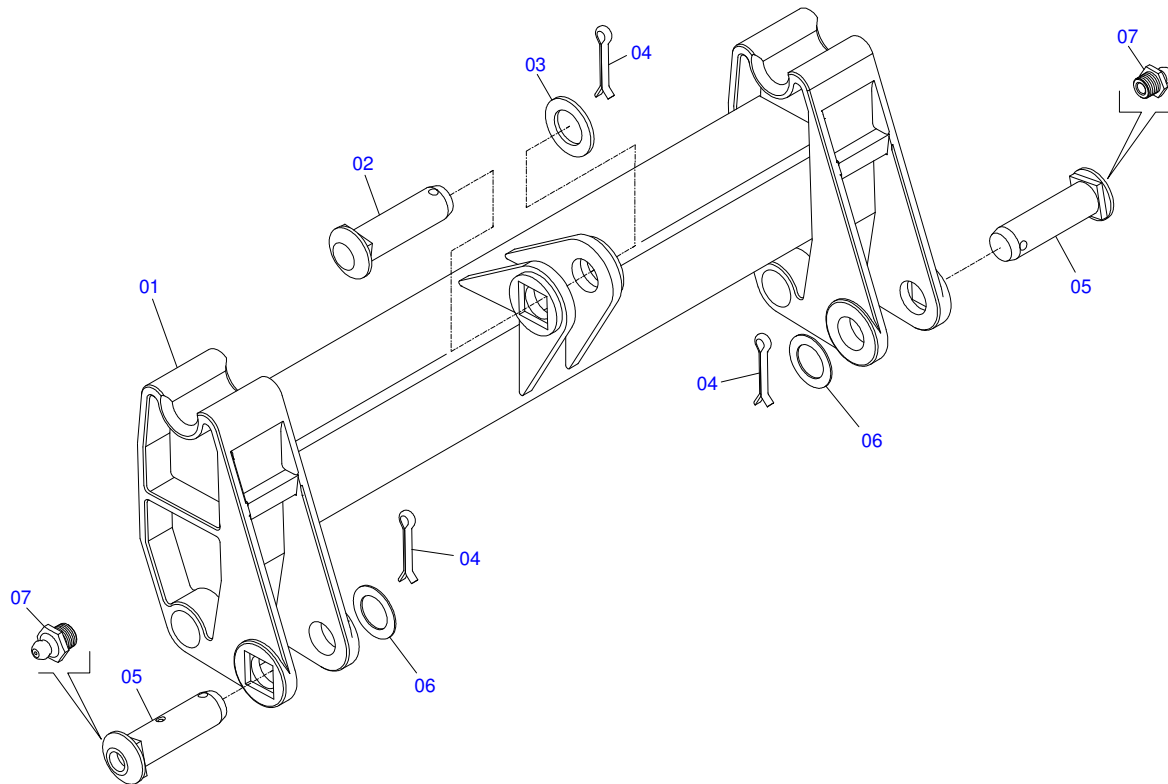
Item	Code	Description	QT
01	0511071163	76,20 X 740 CYLINDER CASE - PCA 600	01
01A	0521010514	38,1 X 52,9 X 50 SLEEVE INTER	01
02	0521066424	AIR TURNBUCKLE	01
02A	0521010514	38,1 X 52,9 X 50 SLEEVE INTER	01
03	0581010301	RING SUPPORT	01
04	0581010304	PISTON	01
05	0503018136	ZW 007600260 AGEL RING	01
06	0503010042	2-214 N 3006-9B O-RING	01
07	0503010063	1" SELF-ALIGNING NUT	01
08	0503010343	2-334 N 3006-9B O-RING	02
09	0503011059	8-334 BACK-UP RING	02
10	0503010761	D-1750 SCRAPER RING	01
11	0503017937	GASKET	01
12	0503017938	RING GUIDE	01
13	0502011899	MOBILE COVER	01
14	0503030385	PLUG	02
15	0503010002	1800 GREASE FITTING	02



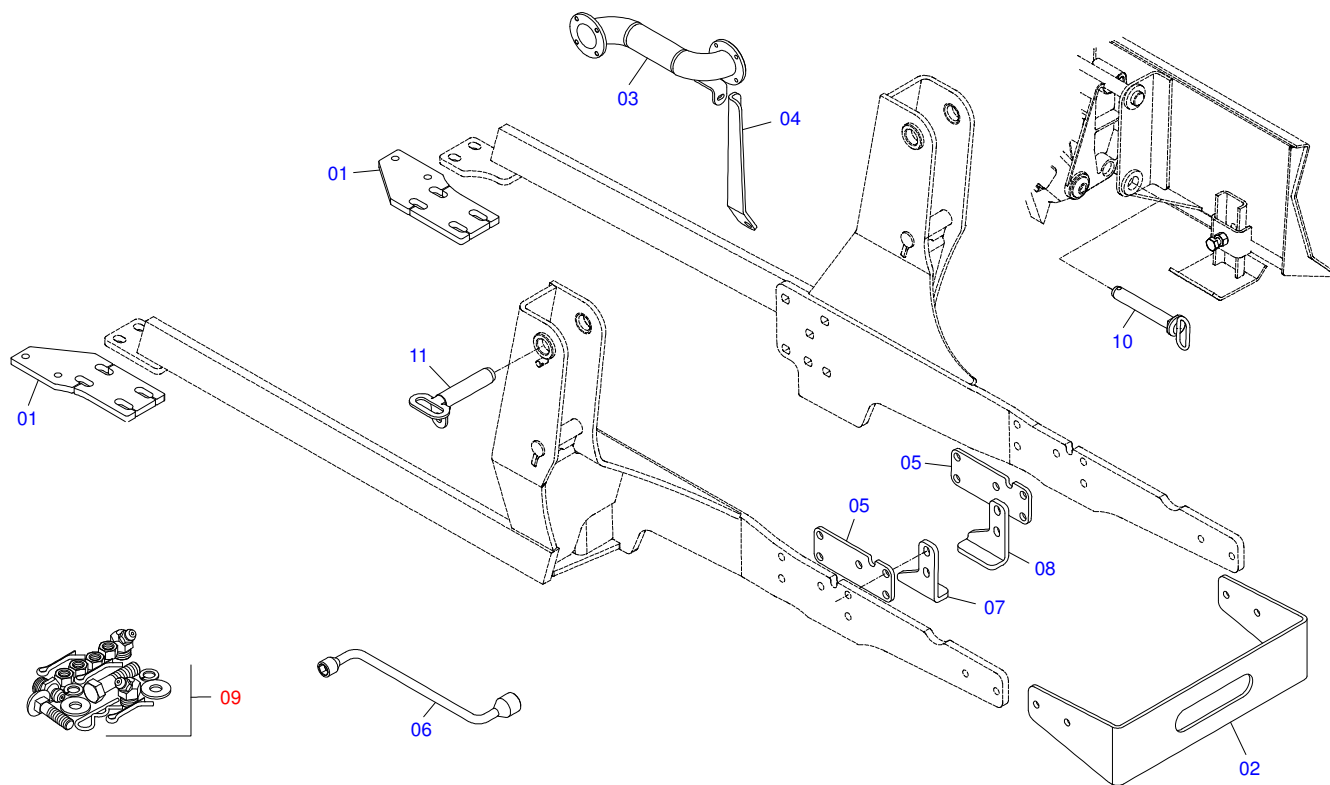
Item	Code	Description	QT
01	0511066339	101,6 X 548 CYLINDER CASE - PCA 600	01
01A	0521010514	38,1 X 52,9 X 50 SLEEVE INTER	01
02	0521066430	44,45 X 630 EXTENDER - PCA 600	01
02A	0521010514	38,1 X 52,9 X 50 SLEEVE INTER	01
03	0503030385	PLUG	02
04	0503010002	1800 GREASE FITTING	02
05	0581010302	RING OF SUPPORT	01
06	0502012822	101,60 MOBILE COVER	01
07	0503018158	OE 101605200211D-BR RING BS	02
08	0503011061	8-342 BACK-UP RING	02
09	0503010338	2-342 N 3006-9B O'RING	02
10	0503017936	RING	01
11	0503017938	RING GUIDE	01
12	0503017937	GASKET	01
13	0503010761	D-1750 SCRAPER RING	01
14	0503010994	W2-4000-500 PK RING G.E	01
15	0581010303	PISTON 4 - PCA 600	01
16	0503018029	2-217 O'RING	01
17	0503010817	1-1/4" SELF-ADJUSTING NUT	01



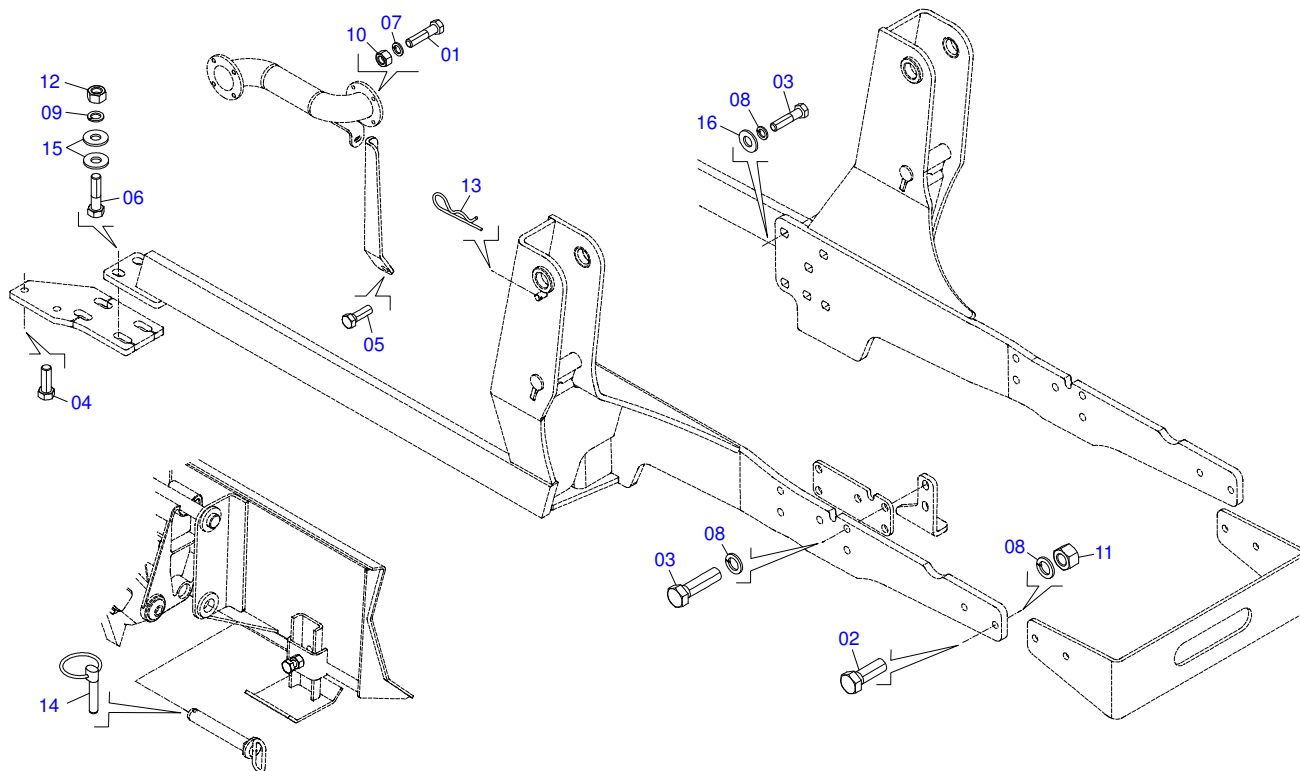
Item	Code	Description	QT
01	0503011627	QUICK CONNECTION (MALE) AGR 1/2 NPT	01
02	0503011882	QUICK CONNECTION COVER	01



Item	Code	Description	QT
01	0501069934	ARTÍCULOS SOPORTE PCA 600 AX 5.80-4	01
02	0521010904	1.5" X 1.4" PIVOT SHAFT	01
03	0501012916	FLAT WASHER 38,50 X 66 X 4,75 ZN	01
04	0503010534	3/8 X 2-1/2 COTTERPIN	03
05	0511019519	1.5" X 1.4" PIVOT SHAFT	02
06	0511019685	FLAT WASHER	02
07	0503010002	1800 GREASE FITTING	02



Item	Code	Description	QT
01	0571012309	DIFFERENTIAL SUPPORT - PCA/PD VTRA750/950	02
02	0571017231	FRONT PROTECTOR PCA VTR A750/850/950	01
03	0521065252	EXHAUST SUPPLEMENT - PCA VTR A750/850/950	01
04	0571017226	SUPPLEMENTARY FASTENER - PCA VTR	01
05	0571017227	CHASSIS SHIM - PCA VTR A750/850/950	02
06	0501068213	5/8" WRENCH DOUBLE	01
07	0571013125	RIGHT SCOUT - PCA/PD VTR A750A950	01
08	0571013126	LEFT BEATER - PCA/PD VTR A750A950	01
09	0511031461	PACKED PARTS	01
10	0521063680	HITCH PIN (185) SAB PCA800	02
11	0521061682	AXLE FIXER	02



Item	Code	Description	QT
01	0503010365	NUT	04
02	0503011243	5/8" X 2" BOLT	04
03	0503011730	M16 X 2 X 60 BOLT	20
04	0503012833	M16 X 2 X 90 BOLT	04
05	0501018059	3/4" X 2-1/4" BOLT	01
06	0501010500	3/4"X3"BOLT	04
07	0503010179	SPRING WASHER	05
08	0503010027	SPRING WASHER	20
09	0503010023	SPRING WASHER	04
10	0503010337	5/16" NUT	05
11	0503010013	5/8" NUT	04
12	0503010014	3/4" NUT	05
13	0503030012	HAIR PIN	02
14	0503030430	7/16 X 2" PIN LOCK	02
15	0501010322	FLAT WASHER	08
16	0501012140	FLAT WASHER	12



MARCHESAN IMPLEMENTOS E MÁQUINAS AGRÍCOLAS TATU S.A.

AV. Marchesan, 1979 - Post office box, 131 - CEP 15994-900 - Matão - SP - Brazil

Phone +55 16.3382-8282

(FAX Parts) + 55 16.3382. 8297 - (Export) + 55 16.3382.1003

e.mail: tatu@marchesan.com.br www.marchesan.com.br

Technical Publications: Elaboration

JOÃO VIRGINIO ROCHA

Technical Publications: Revision

JOÃO VIRGINIO ROCHA

Contact Catálogo:

E-mail = jgaspari@marchesan.com.br

**ORIGINAL PARTS
TATU**

