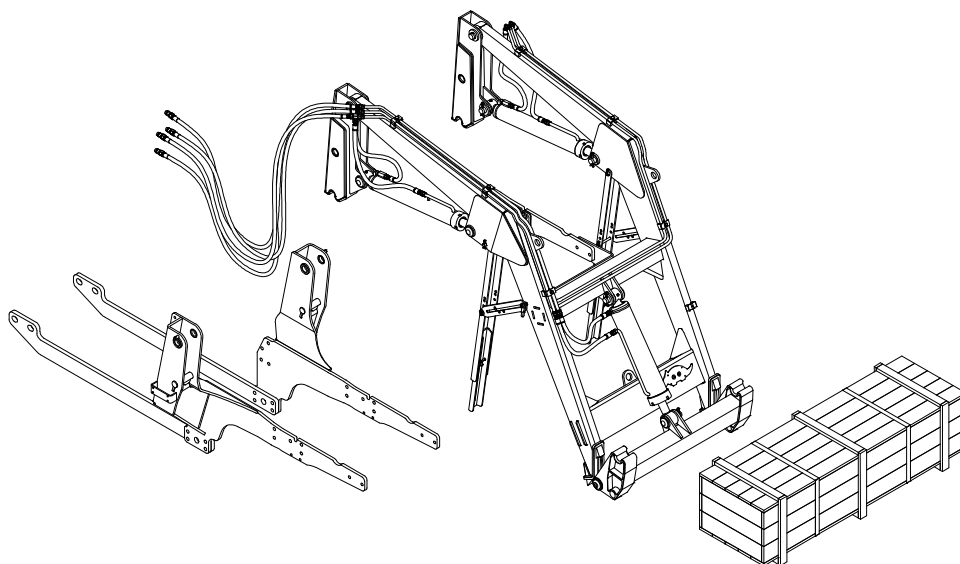


PARTS CATALOG

PCA - AGRICULTURAL FRONT LOADER

PCA 600 VTR A850-A950 BT SC SL G2

Code: 0501092361



Series: S-0415

Rev.: 00

Date Rev.: OUTUBRO/2018

**ORIGINAL PARTS
TATU**



PRODUCTS

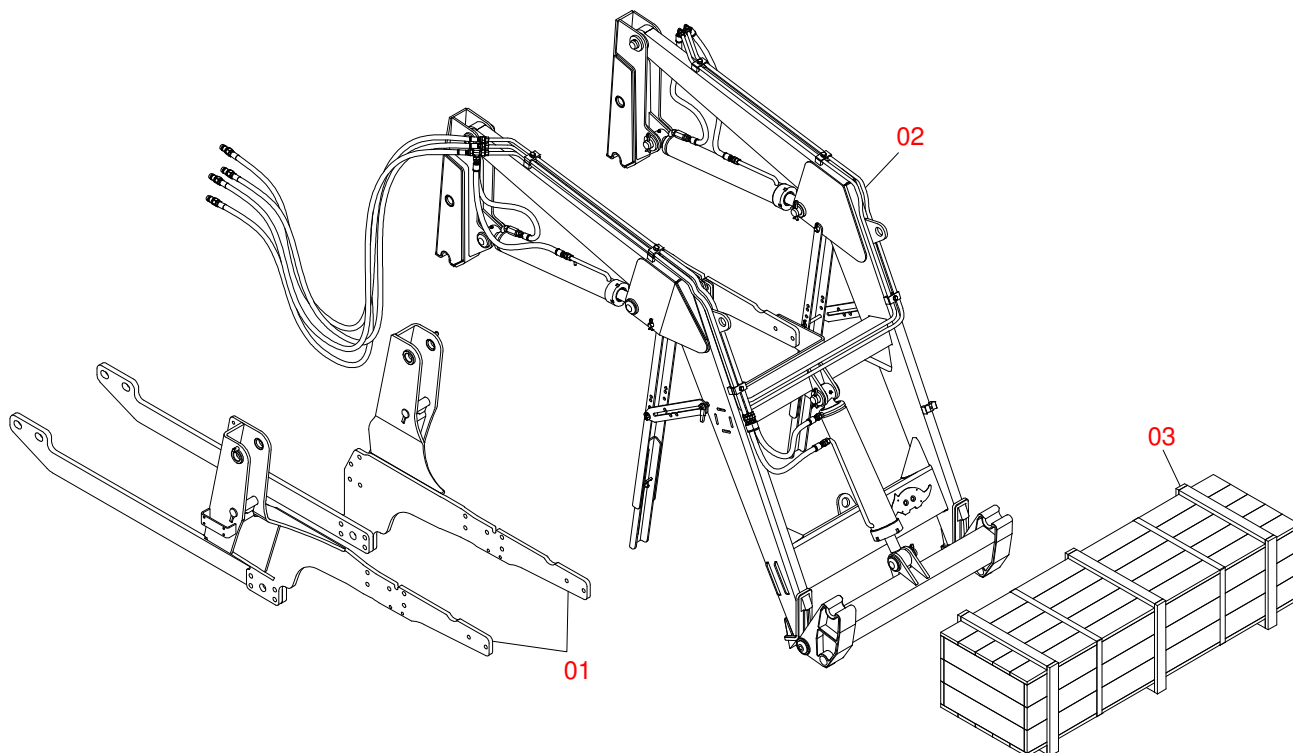
Code	Description
0106111591	PCA 600 COMPLETO - VTR

ATTENTION: **IMPORTANT**

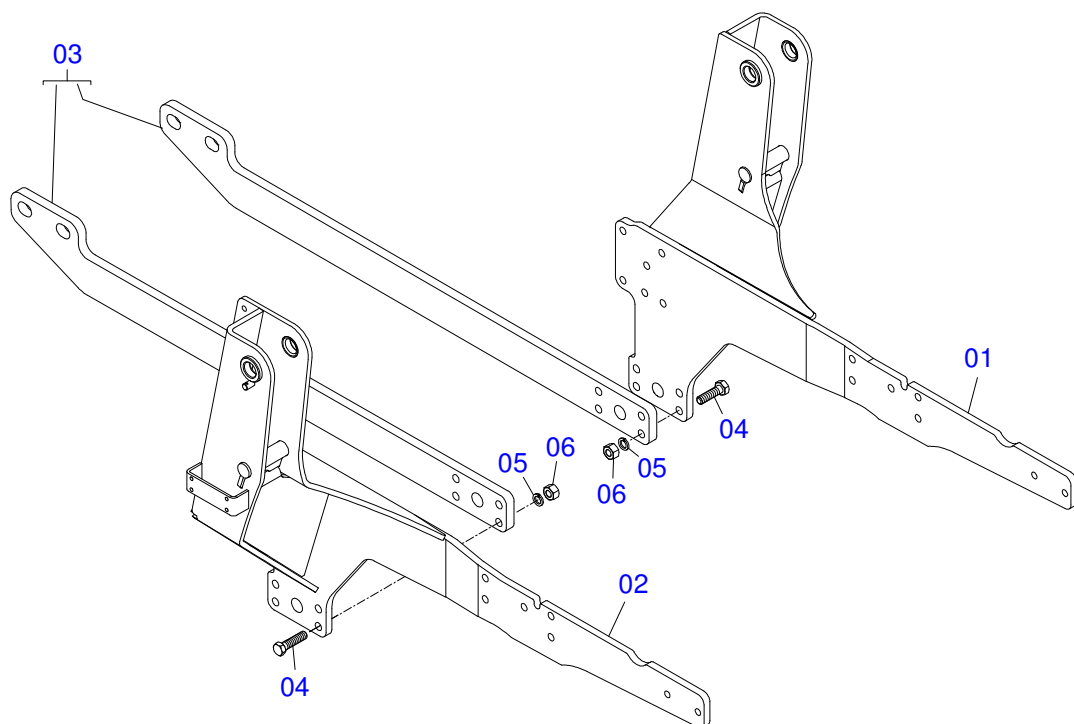
MARCHESAN S/A RESERVES THE RIGHT AT ANY TIME TO MAKE IMPROVEMENTS IN THE DESIGN, MATERIAL OR SPECIFICATIONS OF MACHINERY, EQUIPMENT OR PARTS WITHOUT THEREBY BECOMING LIABLE TO MAKE SIMILAR CHANGES IN MACHINERY, EQUIPMENT OR PARTS PREVIOUSLY SOLD.

INDEX

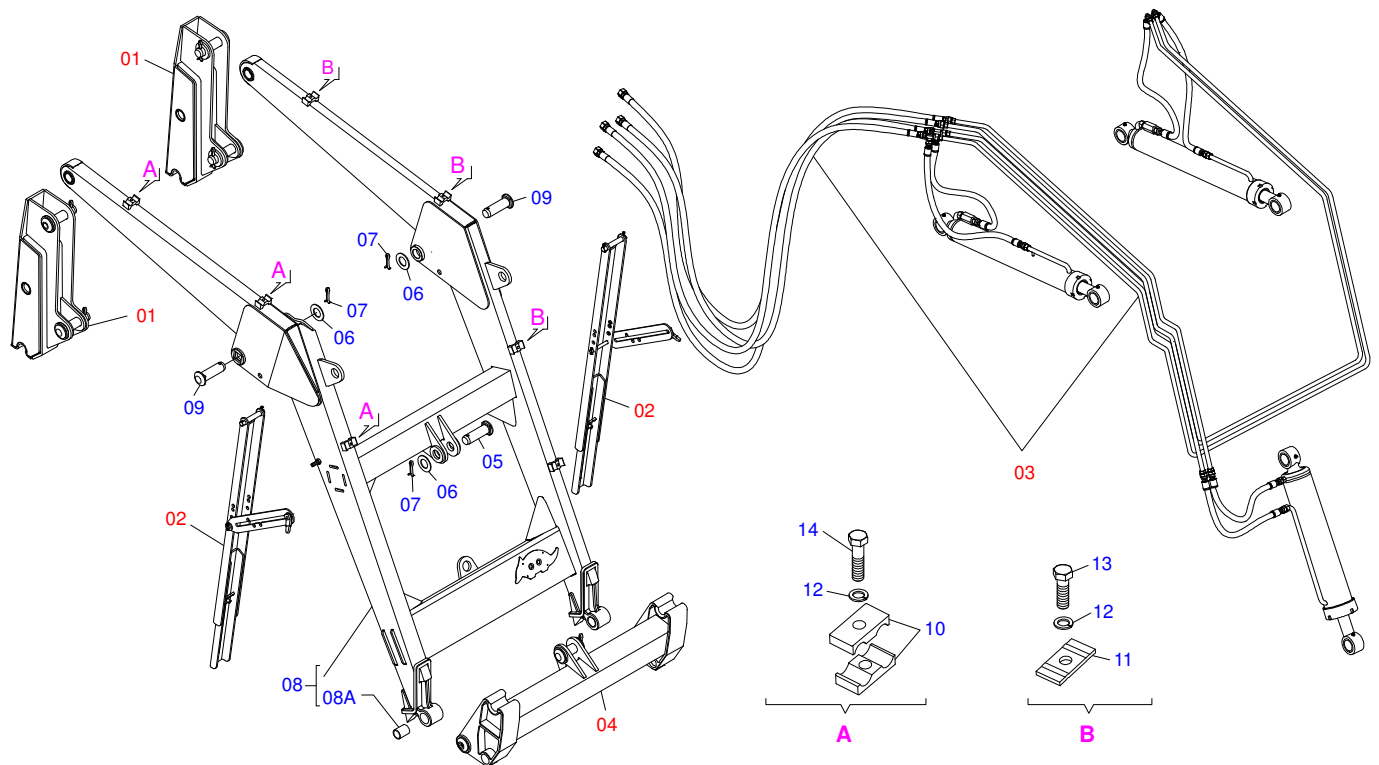
0106111591	FULL PCA 600 - VTR	1
0521045960	CHASSIS ASSEMBLY WITH REAR BAR	2
0511049299	FULL MOVABLE STAND	3
0909094888	SET TOWERS OF SUPPORT MOVEL	4
0909092667	ADJUSTABLE REST OF MOVABLE SUPPORT	5
0909094890	HYDRAULIC CIRCUIT OF MOBILE SUPPORT	6
0521050762	44,45 X 76,20 X 865 X 555 HYDRAULIC CYLINDER	7
0511057915	44,45 X 101,60 X 702 X 738 HIDRAULIC CYLINDER	8
0909094826	ARTICULATOR SUPPORT AND COMPONENTS	9
0501053834	MALE QUICK COUPLING AGRICULTURAL WITH COVER - 1/2 NPT	10
0521021986	BOX WITH COMPONENTS	11
0511031935	PACKAGED PARTS	12



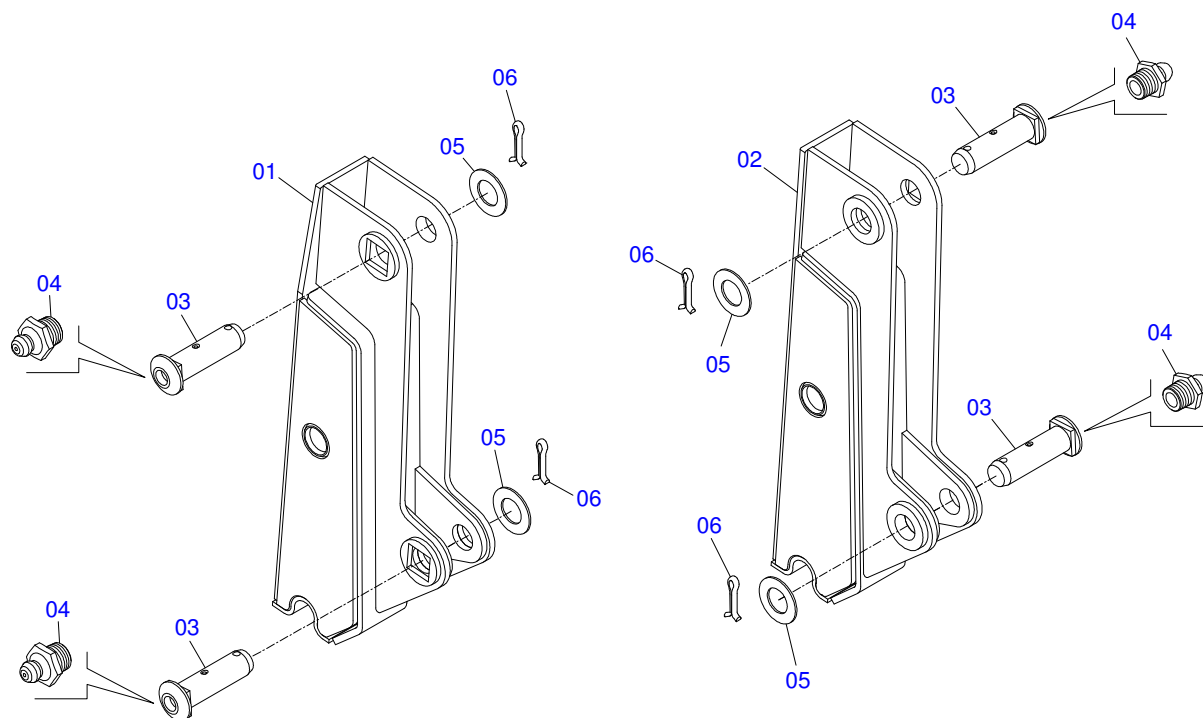
Item	Code	Description	QT
01	0521045960	CHASSIS ASSEMBLY WITH REAR BAR	01
02	0511049299	FULL MOVABLE STAND	01
03	0521021986	BOX WITH COMPONENTS	01



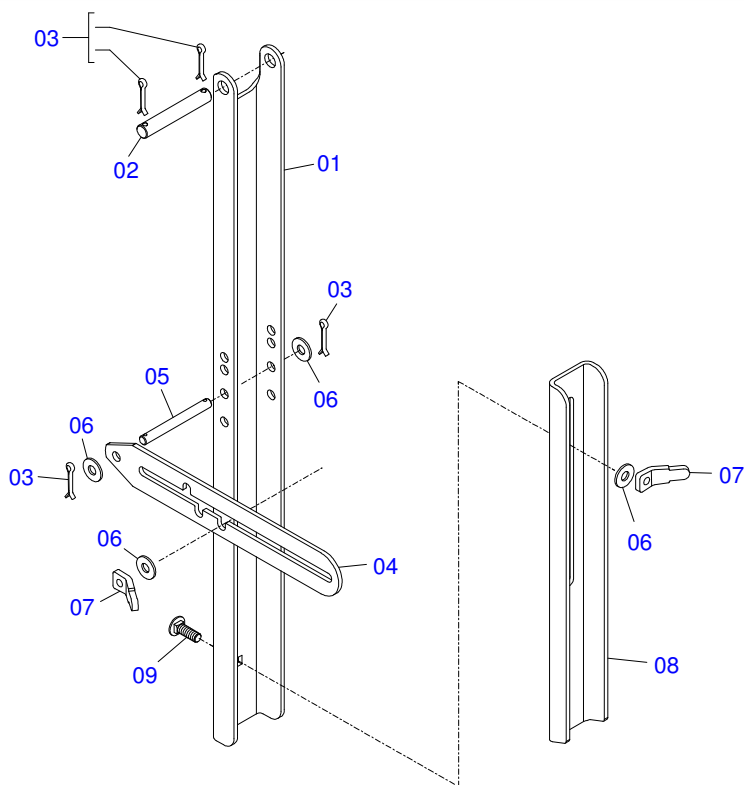
Item	Code	Description	QT
01	0521066135	LEFT CHASSIS - PCA VTR A750 A950	01
02	0521066133	RIGHT CHASSIS - PCA VTR A750 A950	01
03	0571019093	REAR COUPLING BAR PCA-T PLUS 1500 VTR	02
04	0501010500	3/4"X3"BOLT	08
05	0503010023	SPRING WASHER	08
06	0503010014	3/4" NUT	08



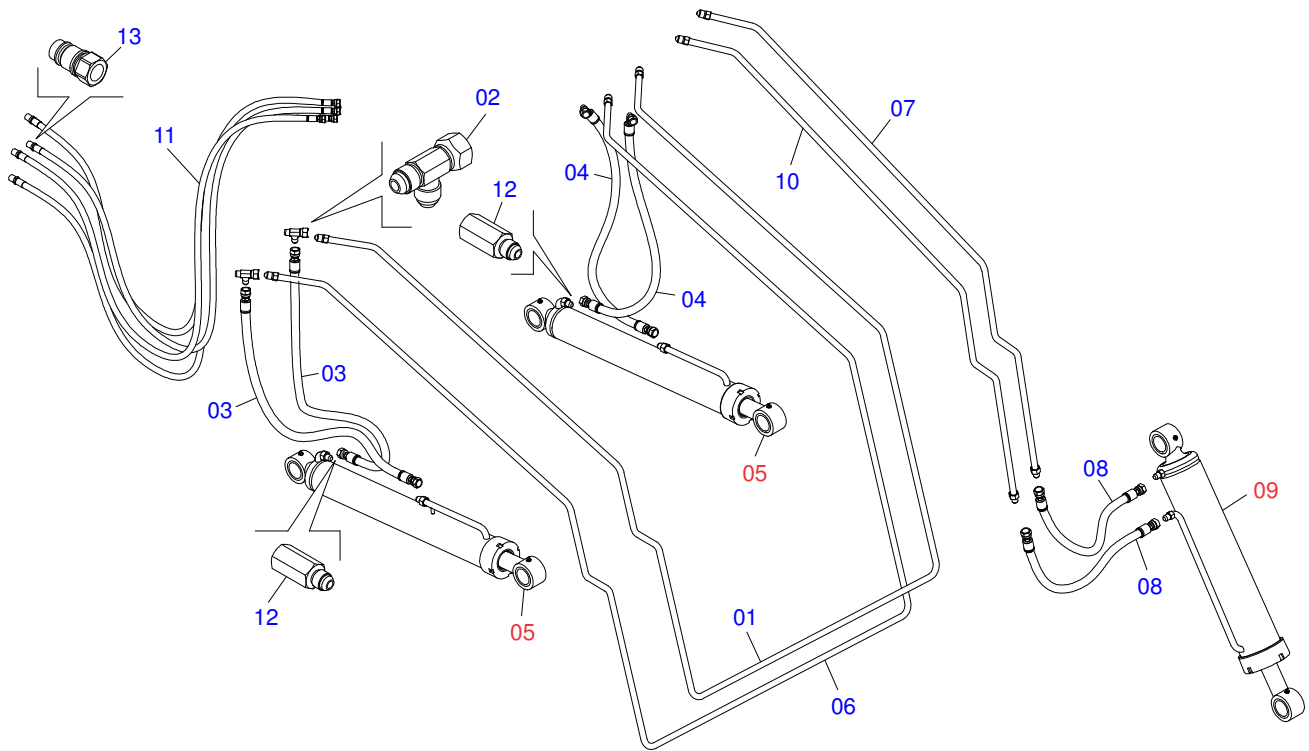
Item	Code	Description	QT
01	0909094888	SET TOWERS OF SUPPORT MOVEL	01
02	0909092667	ADJUSTABLE REST OF MOVABLE SUPPORT	02
03	0909094890	HYDRAULIC CIRCUIT OF MOBILE SUPPORT	01
04	0909094826	ARTICULATOR SUPPORT AND COMPONENTS	01
05	0511019521	1.5" X 1.4" PIVOT SHAFT	02
06	0511019685	FLAT WASHER	06
07	0503010534	3/8 X 2-1/2 COTTERPIN	06
08	0521061683	MOBILE SUPPORT - PCA MF-4275/4283	01
09	0521010904	1.5" X 1.4" PIVOT SHAFT	02
10	0502010477	UPPER CLIP	06
11	0531011180	UPPER BODY CLIP	03
12	0503010180	7/16" SPRING WASHER	06
13	0503011102	PARAFUSO 7/16 UNC X 1.1/4 C S G.5	03
14	0503012555	7/16" X 2" BOLT	03



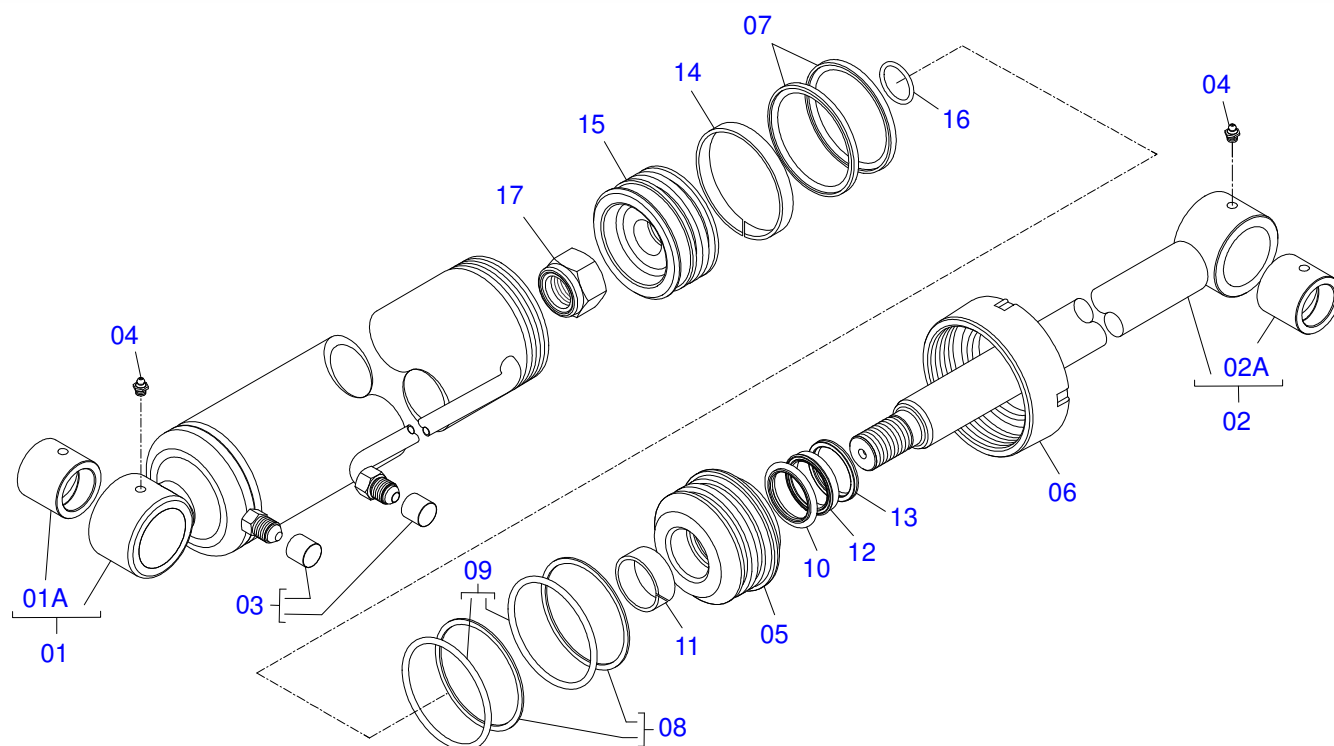
Item	Code	Description	QT
01	0521062319	RIGHT MOVABLE TOWER 30 - PCA VTRA750	01
02	0521062320	LEFT MOVED LEFT TOWER 10 - PCA VTRA750	01
03	0511019519	1.5" X 1.4" PIVOT SHAFT	02
04	0503010002	1800 GREASE FITTING	02
05	0511019685	FLAT WASHER	04
06	0503010534	3/8 X 2-1/2 COTTERPIN	04



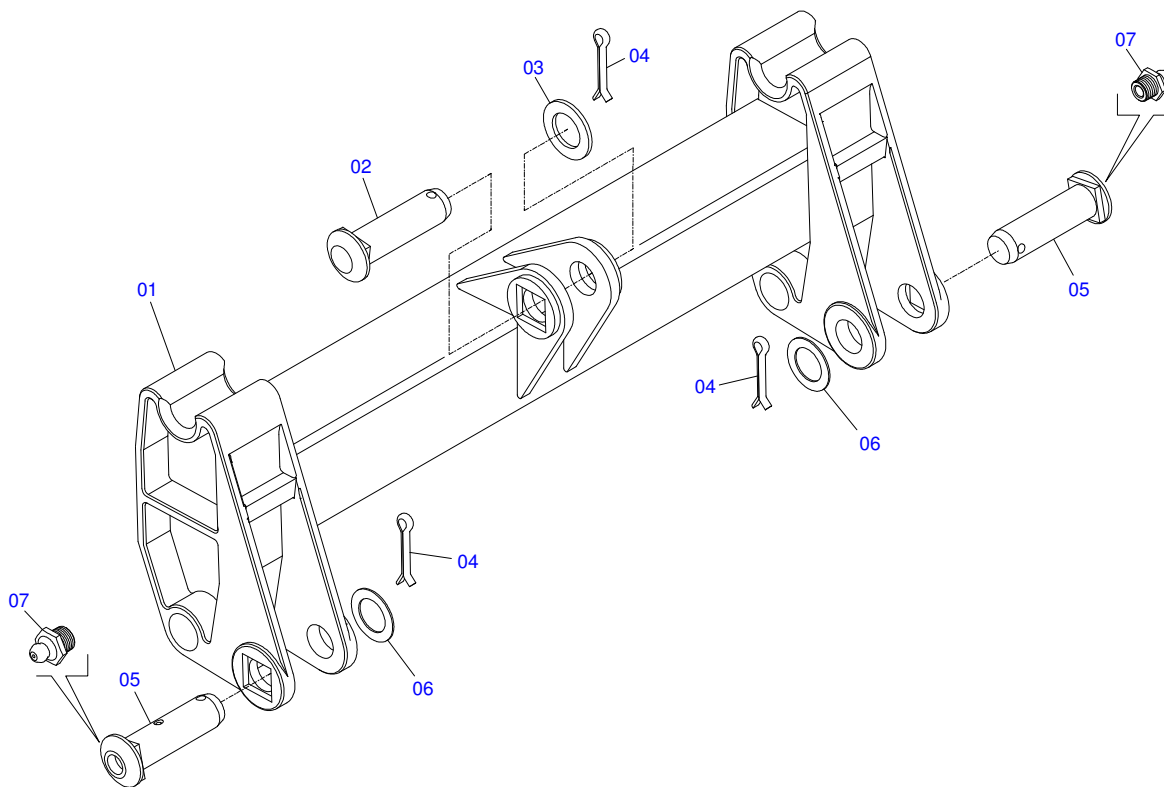
Item	Code	Description	QT
01	0561016401	PLOUGH SUPPORT BODY	02
02	0511013598	3/4" X 4.7" COUPLING SHAFT	02
03	0503010071	3/16" X 1" COTTERPIN	08
04	0511019634	CONTROL LOCK	02
05	0521012823	COUPLING SHAFT	02
06	0511017302	FLAT WASHER	08
07	0561016329	LATCH HOLDER REST PCA	04
08	0561016619	COMPLEMENTON REST	02
09	0503014378	1/2" X 1-1/2" BOLT	02



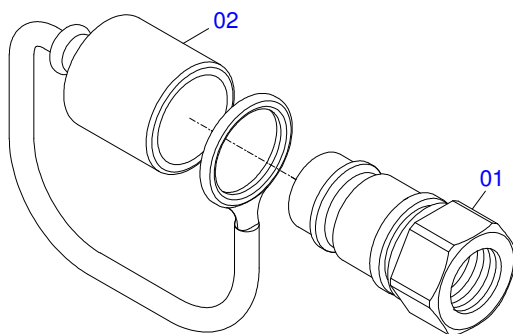
Item	Code	Description	QT
01	0521061694	INTERNAL OIL DISTRIBUTOR - PCA 4275/4283	01
02	0503011968	T ADAPTOR WITH GIRAT	02
03	0501080105	TR-TR HOSE ASSY	02
04	0501080413	3/8" X 27" TR-TC HOSE ASSY	02
05	0521050762	44,45 X 76,20 X 865 X 555 HYDRAULIC CYLINDER	02
06	0521061695	EXTERNAL OIL DISTRIBUTOR - PCA 4275/4283	01
07	0521061696	INTERNAL TOP OIL DISTRIBUTOR - PCA 4275/4283	01
08	0501080635	3/8" X 19" TR-TR HOSE	02
09	0511057915	44,45 X 101,60 X 702 X 738 HIDRAULIC CYLINDER	01
10	0521062948	UPPER OUTER OIL DISTRIBUTOR	01
11	0501081124	HOSE 3/8" X 4200-TM TR	01
12	0511057773	R.3/4 UNF SAFETY VALVE ASSEMBLY - PD/PCA	02
13	0501053834	MALE QUICK COUPLING AGRICULTURAL WITH	04



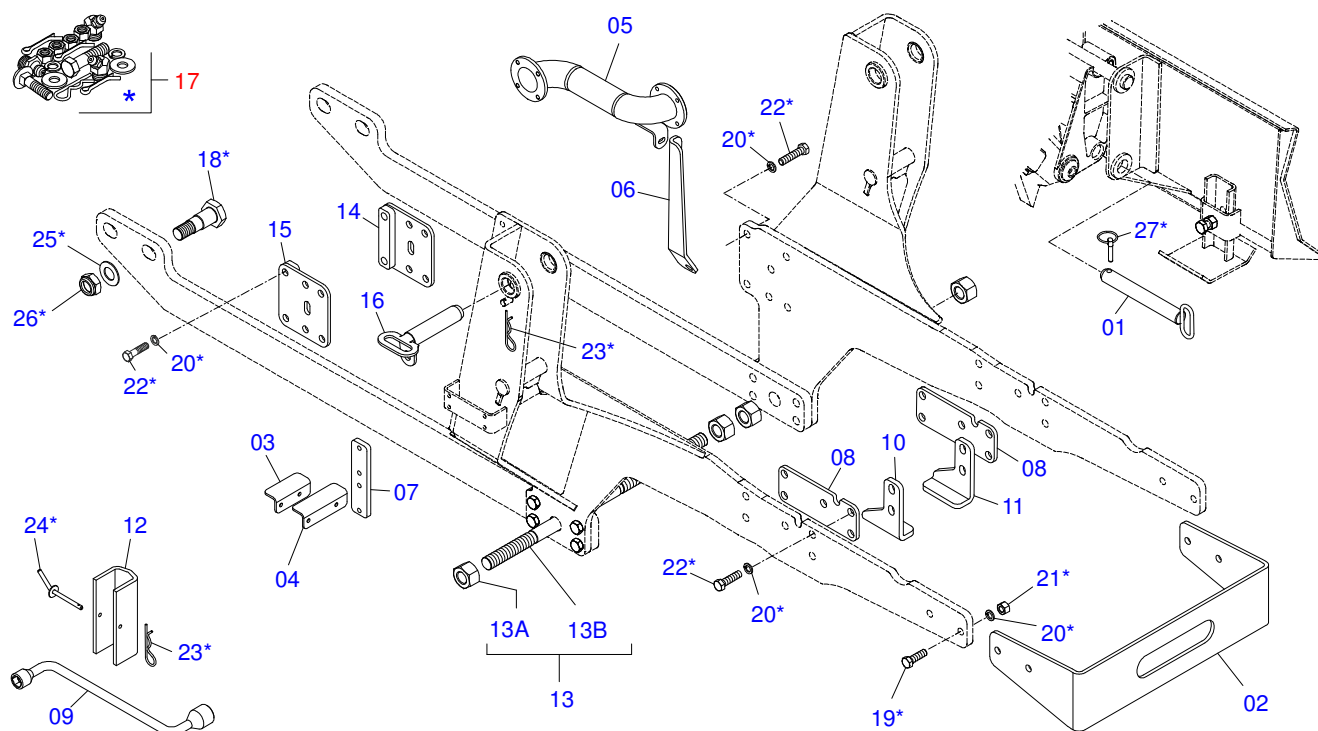
Item	Code	Description	QT
01	0511066339	101,6 X 548 CYLINDER CASE - PCA 600	01
01A	0521010514	38,1 X 52,9 X 50 SLEEVE INTER	01
02	0521066430	44,45 X 630 EXTENDER - PCA 600	01
02A	0521010514	38,1 X 52,9 X 50 SLEEVE INTER	01
03	0503030385	PLUG	02
04	0503010002	1800 GREASE FITTING	02
05	0581010302	RING OF SUPPORT	01
06	0502012822	101,60 MOBILE COVER	01
07	0503018158	OE 101605200211D-BR RING BS	02
08	0503011061	8-342 BACK-UP RING	02
09	0503010338	2-342 N 3006-9B O'RING	02
10	0503017936	RING	01
11	0503017938	RING GUIDE	01
12	0503017937	GASKET	01
13	0503010761	D-1750 SCRAPER RING	01
14	0503010994	W2-4000-500 PK RING G.E	01
15	0581010303	PISTON 4 - PCA 600	01
16	0503018029	2-217 O'RING	01
17	0503010817	1-1/4" SELF-ADJUSTING NUT	01



Item	Code	Description	QT
01	0501069934	ARTÍCULOS SOPORTE PCA 600 AX 5.80-4	01
02	0521010904	1.5" X 1.4" PIVOT SHAFT	01
03	0501012916	FLAT WASHER 38,50 X 66 X 4,75 ZN	01
04	0503010534	3/8 X 2-1/2 COTTERPIN	03
05	0511019519	1.5" X 1.4" PIVOT SHAFT	02
06	0511019685	FLAT WASHER	02
07	0503010002	1800 GREASE FITTING	02

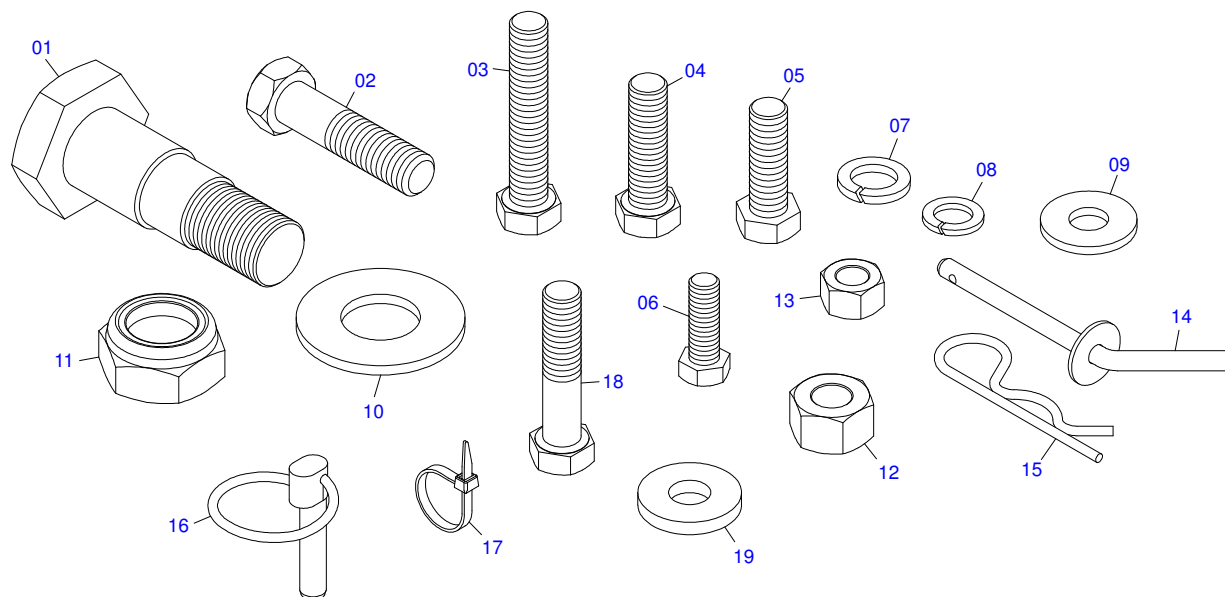


Item	Code	Description	QT
01	0503011627	QUICK CONNECTION (MALE) AGR 1/2 NPT	01
02	0503011882	QUICK CONNECTION COVER	01



Item	Code	Description	QT
01	0501069447	1.5" X 1.4" PIVOT SHAFT	02
02	0571017231	FRONT PROTECTOR PCA VTR A750/850/950	01
03	0571019245	TOOL BOX MINIMUM FIXER - PCA-T PLUS 1500 VTR	01
04	0571019244	MAJOR TOOL BOX FIXER - PCA-T PLUS 1500 VTR	01
05	0521065252	EXHAUST SUPPLEMENT - PCA VTR A750/850/950	01
06	0571017226	SUPPLEMENTARY FASTENER - PCA VTR	01
07	0571019090	BATTERY HOLDER PLATE - PCA-T PLUS 1500 VTR	01
08	0571017227	CHASSIS SHIM - PCA VTR A750/850/950	02
09	0501068213	5/8" WRENCH DOUBLE	01
10	0571013125	RIGHT SCOUT - PCA/PD VTR A750A950	01
11	0571013126	LEFT BEATER - PCA/PD VTR A750A950	01
12	0511010839	TRANSPORT LOCK 7.9" X 2.1" X 0.4"	02
13	0501044434	1" NC X 700 ROD W/NUTS	01
13A	0501010087	1.1/4" NUT	04
13B	0501014753	1" NC X 700 ROD	01
14	0521067359	LEFT FRAME LOCK PCA-T PLUS 1500 VTR A950	01
15	0521067351	RIGHT FRAME LOCK PCA-T PLUS 1500 VTR A750	01
16	0521061682	AXLE FIXER	02
17*	0511031935	PACKAGED PARTS	01
18*	0571019101	1.1/4 UNF X 110 BOLT PCA-T PLUS 1500 VTR A950	02
19*	0503011243	5/8" X 2" BOLT	04
20*	0503010027	SPRING WASHER	28
21*	0503010013	5/8" NUT	04
22*	0503011730	M16 X 2 X 60 BOLT	20
23*	0503030012	HAIR PIN	02
24*	0501068994	0.3" X 3.1" LOCK PIN	02
25*	0531017601	FLAT WASHER	02
26*	0503010044	1-1/4" SELF-ADJUSTING NUT	02
27*	0503030430	7/16 X 2" PIN LOCK	02

PACKAGED PARTS



Item	Code	Description	QT
01	0571019101	1.1/4 UNF X 110 BOLT PCA-T PLUS 1500 VTR A950	02
02	0501010500	3/4"X3"BOLT	08
03	0503012833	M16 X 2 X 90 BOLT	04
04	0503011730	M16 X 2 X 60 BOLT	20
05	0503011243	5/8" X 2" BOLT	04
06	0503010920	1/2" X 1.1/2" BOLT	02
07	0503010023	SPRING WASHER	08
08	0503010027	SPRING WASHER	28
09	0501012140	FLAT WASHER	12
10	0531017601	FLAT WASHER	02
11	0503010044	1-1/4" SELF-ADJUSTING NUT	02
12	0503010014	3/4" NUT	08
13	0503010013	5/8" NUT	04
14	0501068994	0.3" X 3.1"LOCK PIN	02
15	0503030012	HAIR PIN	02
16	0503030430	7/16 X 2" PIN LOCK	02
17	0503013100	NYLON CLAMP	04
18	0503012693	M16 X 2 X 75 BOLT	10
19	0501013753	FLAT WASHER	10



MARCHESAN IMPLEMENTOS E MÁQUINAS AGRÍCOLAS TATU S.A.

AV. Marchesan, 1979 - Post office box, 131 - CEP 15994-900 - Matão - SP - Brazil

Phone +55 16.3382-8282

(FAX Parts) + 55 16.3382. 8297 - (Export) + 55 16.3382.1003

e.mail: tatu@marchesan.com.br www.marchesan.com.br

Technical Publications: Elaboration

JOÃO VIRGINIO ROCHA

Technical Publications: Revision

JOÃO VIRGINIO ROCHA

Contact Catálogo:

E-mail = jgaspari@marchesan.com.br

**ORIGINAL PARTS
TATU**

