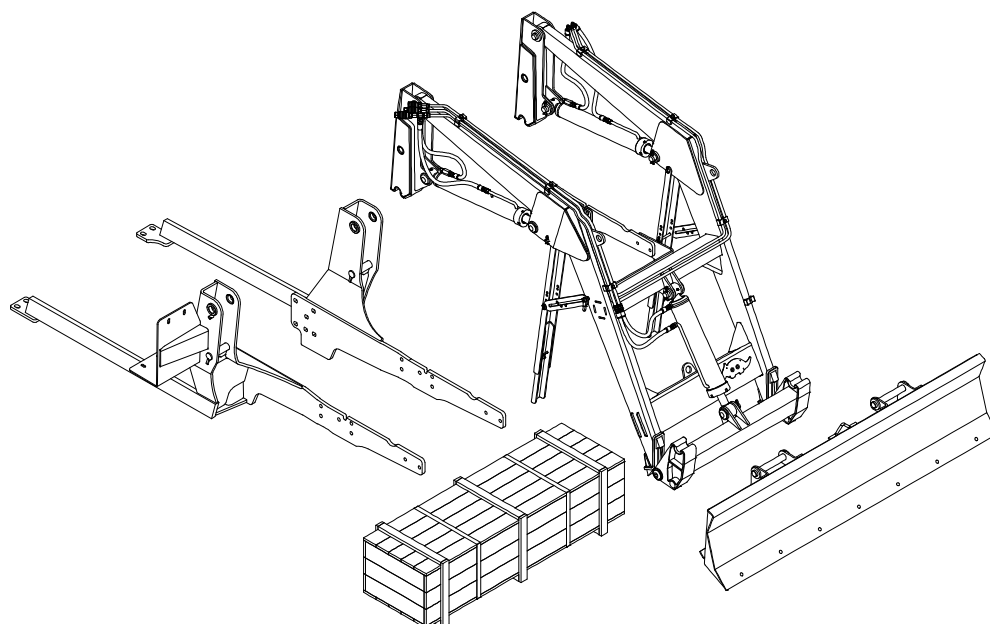


# **PARTS CATALOG**

## **PCA - AGRICULTURAL FRONT LOADER**

**PCA 600 VTR A750/85/950 SHT CD**

**Code: 0501092360**



**Series: S-0814**

**Rev.: 00**

**Date Rev.: OUTUBRO/2018**

**ORIGINAL PARTS  
TATU**



# PRODUCTS

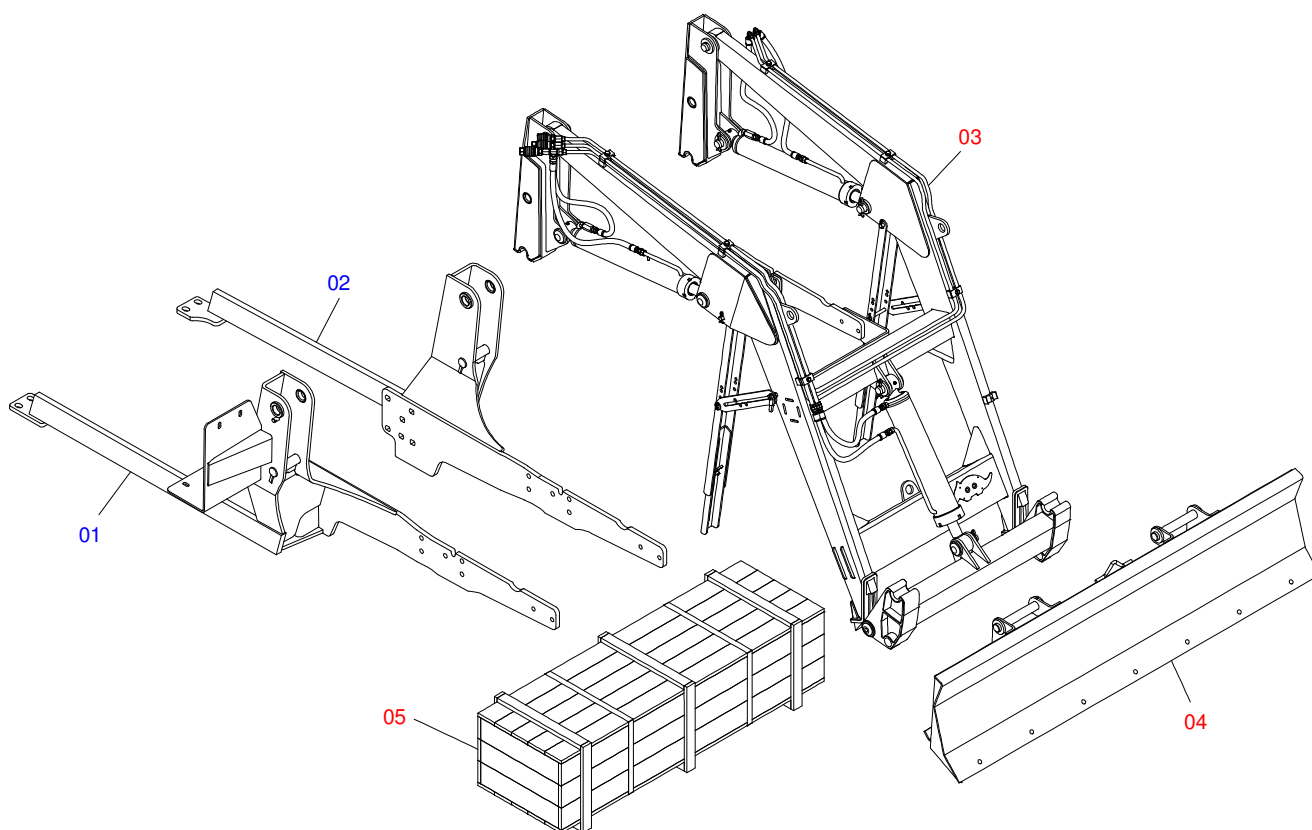
Code	Description
0106111547	PCA 600 VTR A750/85/950 SHT CD

## ATTENTION: **IMPORTANT**

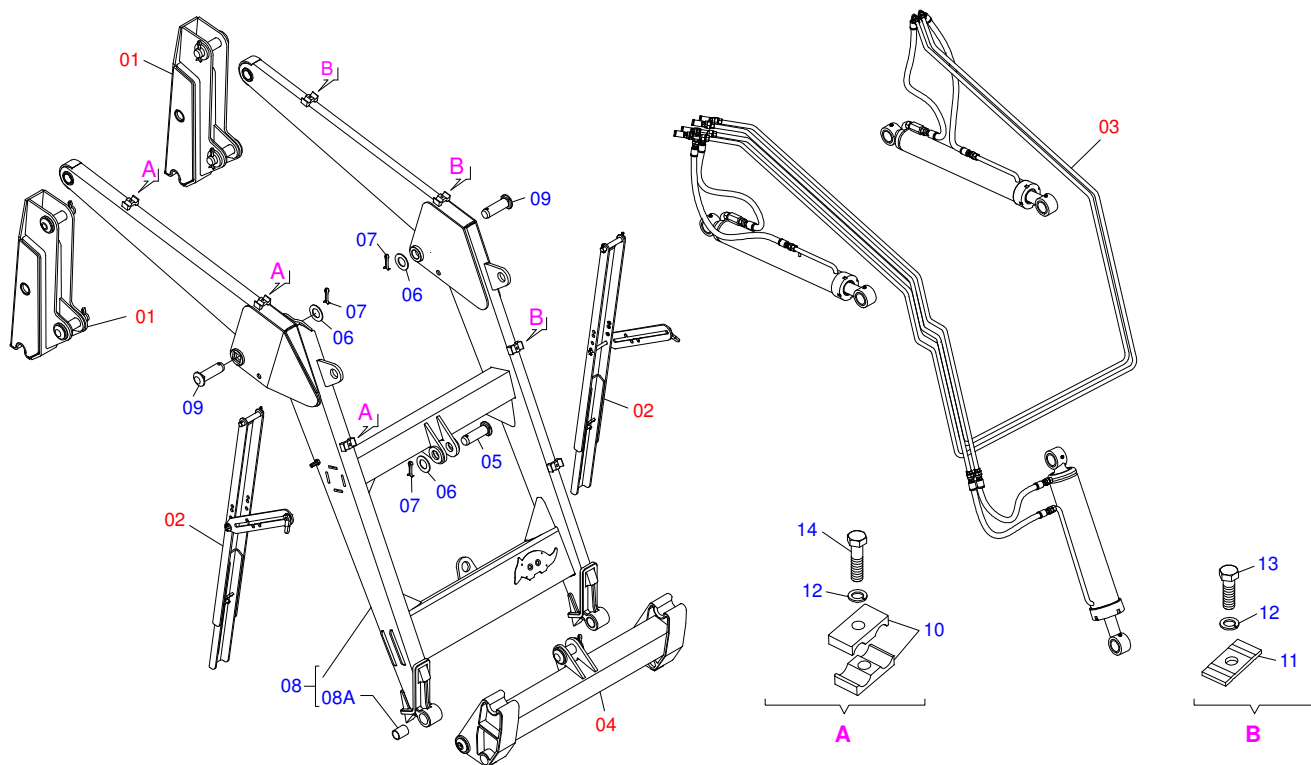
MARCHESAN S/A RESERVES THE RIGHT AT ANY TIME TO MAKE IMPROVEMENTS IN THE DESIGN, MATERIAL OR SPECIFICATIONS OF MACHINERY, EQUIPMENT OR PARTS WITHOUT THEREBY BECOMING LIABLE TO MAKE SIMILAR CHANGES IN MACHINERY, EQUIPMENT OR PARTS PREVIOUSLY SOLD.

# INDEX

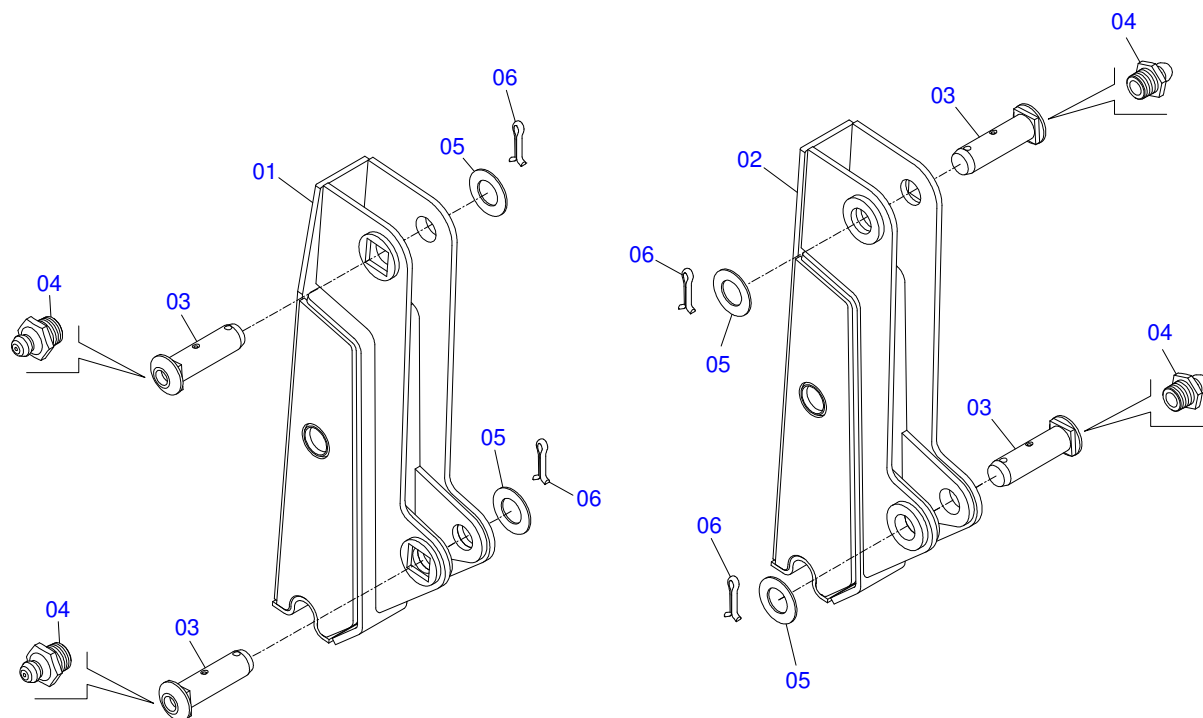
0106111547	PCA 600 VTR A750/85/950 SHT CD	.....	1
0511049547	FULL MOBILLE SUPPORT	.....	2
0909094888	SET TOWERS OF SUPPORT MOVEL	.....	3
0909092667	ADJUSTABLE REST OF MOVABLE SUPPORT	.....	4
0909094933	HIDRAULIC CIRCUIT OF THE MOBILLE SUPPORT	.....	5
0521050762	44,45 X 76,20 X 865 X 555 HYDRAULIC CYLINDER	.....	6
0511057915	44,45 X 101,60 X 702 X 738 HIDRAULIC CYLINDER	.....	7
0909094826	ARTICULATOR SUPPORT AND COMPONENTS	.....	8
0501053834	MALE QUICK COUPLING AGRICULTURAL WITH COVER - 1/2 NPT	.....	9
0501053835	FEMALE QUICK COUPLER	.....	10
0501049401	LDA 2200 FULL	.....	11
0511047849	LDA 2200 WITHOUT SUPPORT	.....	12
0521021331	COMPONENT BOX	.....	13
0521045277	40L PUMP WITH PIPES	.....	14
0521045297	DOUBLE COMMAND WALVOIL	.....	15
0501041108	RETURNING FILTER ASSY	.....	16
0501047575	OIL RESERVOIR ASSY	.....	17
0511031634	PACKAGED PARTS	.....	18



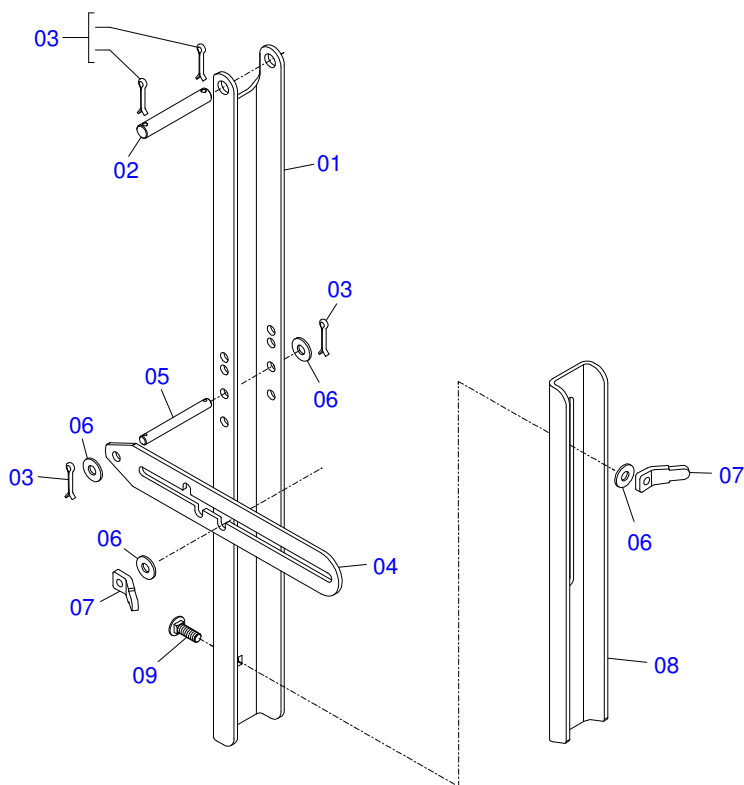
Item	Code	Description	QT
01	0521063467	RIGHT FRAME	01
02	0521063466	LEFT FRAME	01
03	0511049547	FULL MOBILE SUPPORT	01
04	0501049401	LDA 2200 FULL	01
05	0521021331	COMPONENT BOX	01



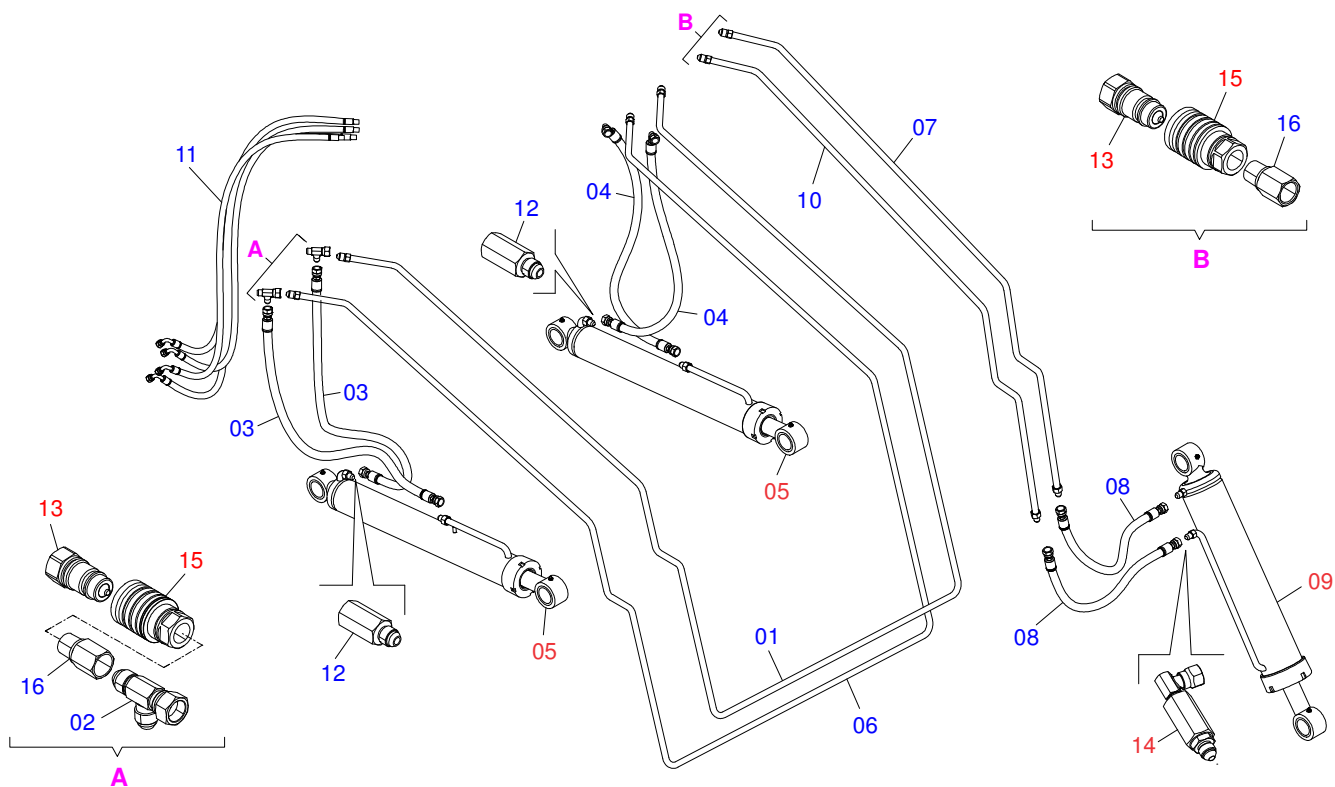
Item	Code	Description	QT
01	0909094888	SET TOWERS OF SUPPORT MOVEL	01
02	0909092667	ADJUSTABLE REST OF MOVABLE SUPPORT	02
03	0909094933	HIDRAULIC CIRCUIT OF THE MOBILE SUPPORT	01
04	0909094826	ARTICULATOR SUPPORT AND COMPONENTS	01
05	0511019521	1.5" X 1.4" PIVOT SHAFT	02
06	0511019685	FLAT WASHER	06
07	0503010534	3/8 X 2-1/2 COTTERPIN	06
08	0521061683	MOBILE SUPPORT - PCA MF-4275/4283	01
08A	0511019740	INTERNAL GLOVE 37.70 X 45.15 X 70	04
09	0521010904	1.5" X 1.4" PIVOT SHAFT	02
10	0502010477	UPPER CLIP	06
11	0531011180	UPPER BODY CLIP	03
12	0503010180	7/16" SPRING WASHER	06
13	0503011102	PARAFUSO 7/16 UNC X 1.1/4 C S G.5	03
14	0503012555	7/16" X 2" BOLT	03



Item	Code	Description	QT
01	0521062319	RIGHT MOVABLE TOWER 30 - PCA VTRA750	01
02	0521062320	LEFT MOVED LEFT TOWER 10 - PCA VTRA750	01
03	0511019519	1.5" X 1.4" PIVOT SHAFT	02
04	0503010002	1800 GREASE FITTING	02
05	0511019685	FLAT WASHER	04
06	0503010534	3/8 X 2-1/2 COTTERPIN	04

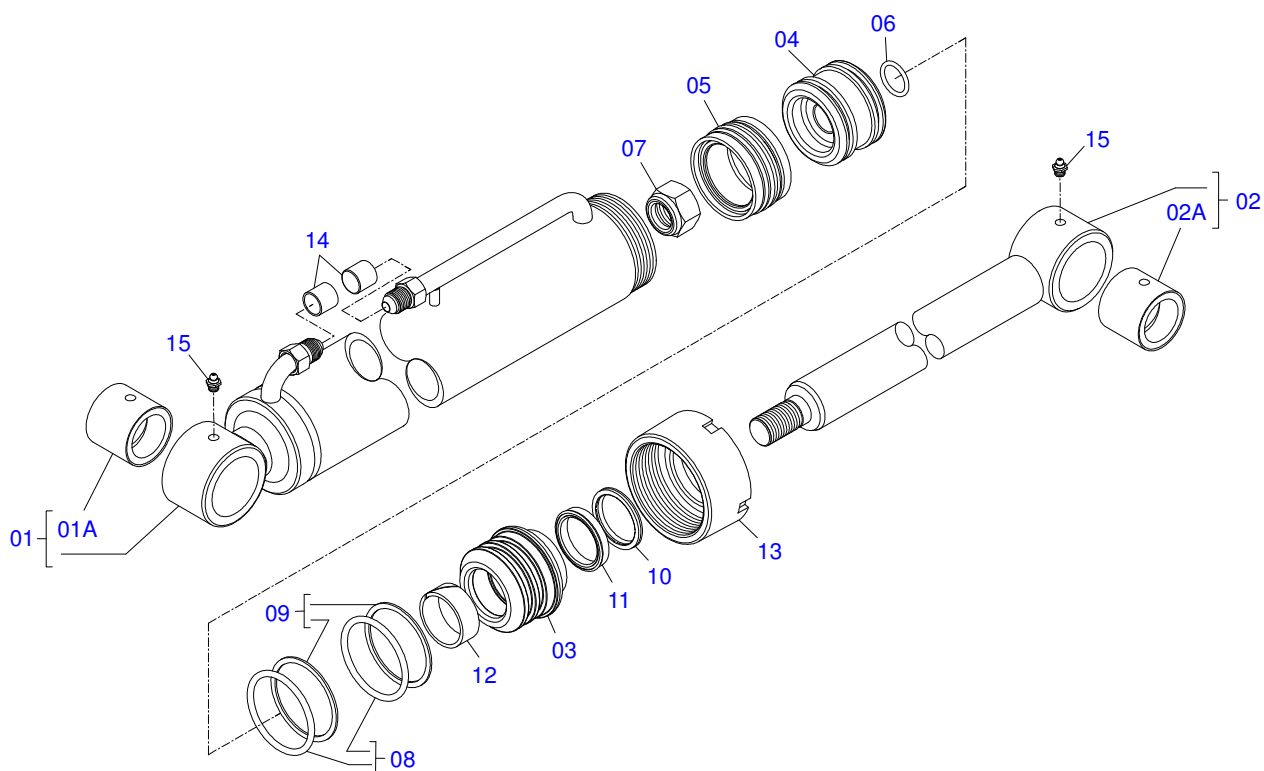


Item	Code	Description	QT
01	0561016401	PLOUGH SUPPORT BODY	02
02	0511013598	3/4" X 4.7" COUPLING SHAFT	02
03	0503010071	3/16" X 1" COTTERPIN	08
04	0511019634	CONTROL LOCK	02
05	0521012823	COUPLING SHAFT	02
06	0511017302	FLAT WASHER	08
07	0561016329	LATCH HOLDER REST PCA	04
08	0561016619	COMPLEMENTON REST	02
09	0503014378	1/2" X 1-1/2" BOLT	02

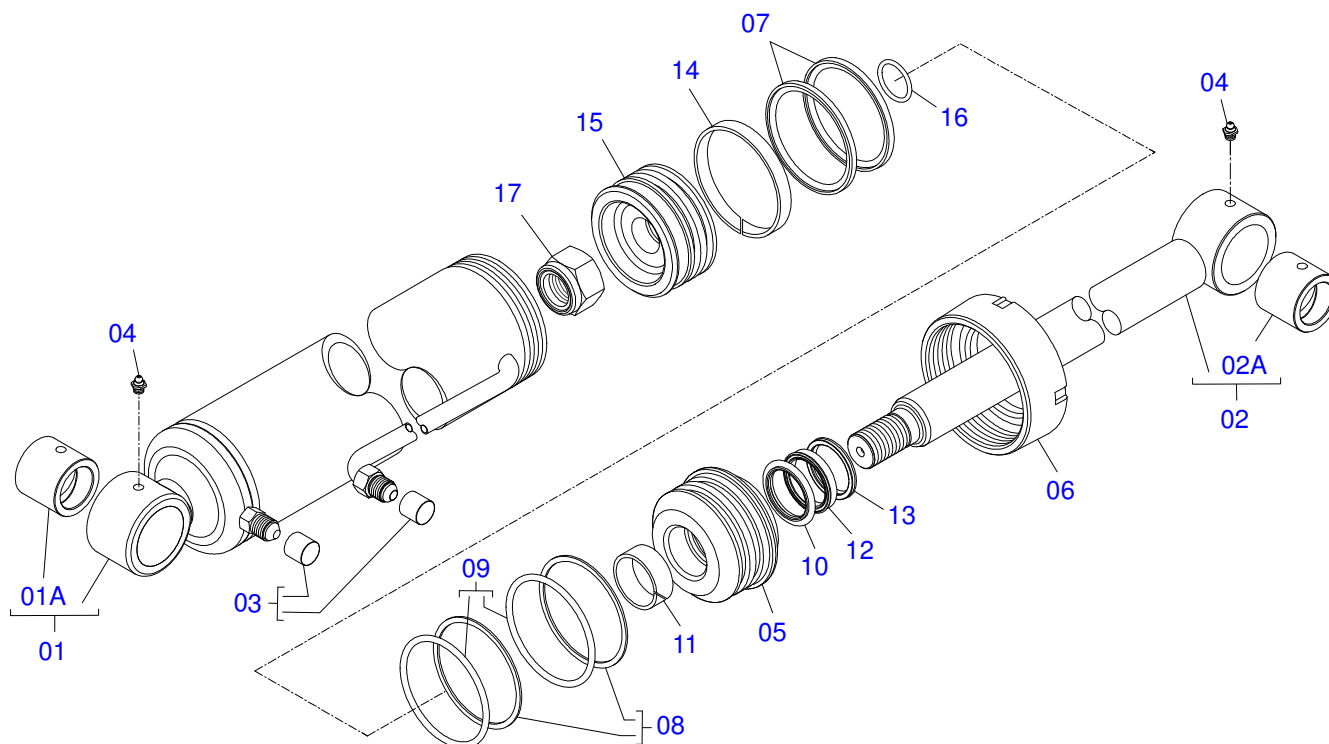


Item	Code	Description	QT
01	0521061694	INTERNAL OIL DISTRIBUTOR - PCA 4275/4283	01
02	0503011968	T ADAPTOR WITH GIRAT	02
03	0501080105	TR-TR HOSE ASSY	02
04	0501080413	3/8" X 27" TR-TC HOSE ASSY	02
05	0521050762	44,45 X 76,20 X 865 X 555 HYDRAULIC CYLINDER	02
06	0521061695	EXTERNAL OIL DISTRIBUTOR - PCA 4275/4283	01
07	0521061696	INTERNAL TOP OIL DISTRIBUTOR - PCA 4275/4283	01
08	0501080635	3/8" X 19" TR-TR HOSE	02
09	0511057915	44,45 X 101,60 X 702 X 738 HIDRAULIC CYLINDER	01
10	0521062948	UPPER OUTER OIL DISTRIBUTOR	01
11	0501080550	3/8" X 55.12" TC-TM HOSE	04
12	0511057773	R.3/4 UNF SAFETY VALVE ASSEMBLY - PD/PCA	02
13	0501053834	MALE QUICK COUPLING AGRICULTURAL WITH	04
14	0511057772	SECURITY VALVE SET	01
15	0501053835	FEMALE QUICK COUPLER	04
16	0511019876	1/2" NIPPLE	04

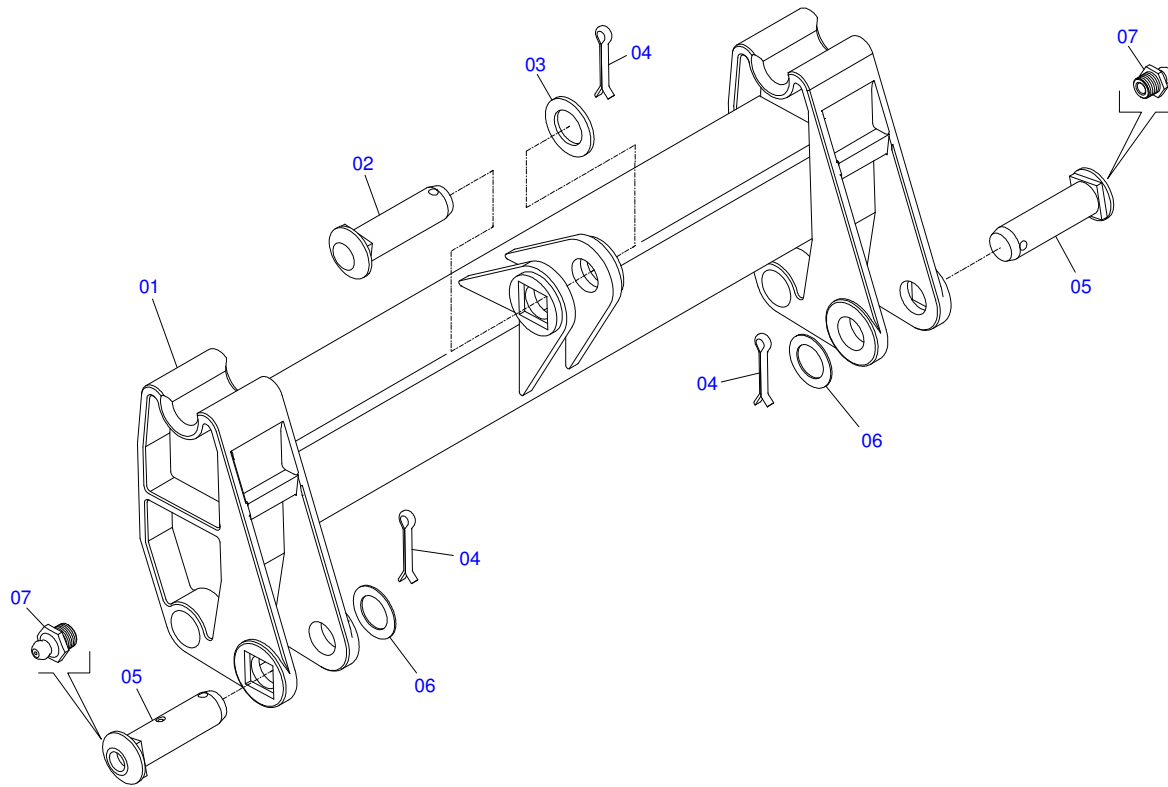




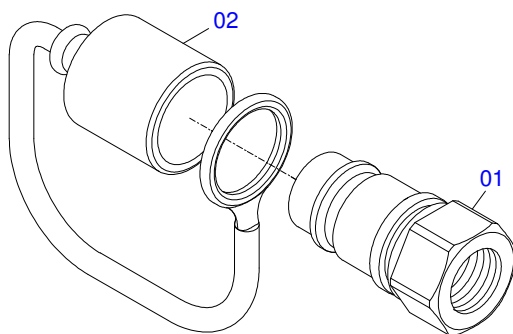
Item	Code	Description	QT
01	0511071163	76,20 X 740 CYLINDER CASE - PCA 600	01
01A	0521010514	38,1 X 52,9 X 50 SLEEVE INTER	01
02	0521066424	AIR TURNBUCKLE	01
02A	0521010514	38,1 X 52,9 X 50 SLEEVE INTER	01
03	0581010301	RING SUPPORT	01
04	0581010304	PISTON	01
05	0503018136	ZW 007600260 AGEL RING	01
06	0503010042	2-214 N 3006-9B O-RING	01
07	0503010063	1" SELF-ALIGNING NUT	01
08	0503010343	2-334 N 3006-9B O-RING	02
09	0503011059	8-334 BACK-UP RING	02
10	0503010761	D-1750 SCRAPER RING	01
11	0503017937	GASKET	01
12	0503017938	RING GUIDE	01
13	0502011899	MOBILE COVER	01
14	0503030385	CYLINDER PLUG N-002	02
15	0503010002	1800 GREASE FITTING	02



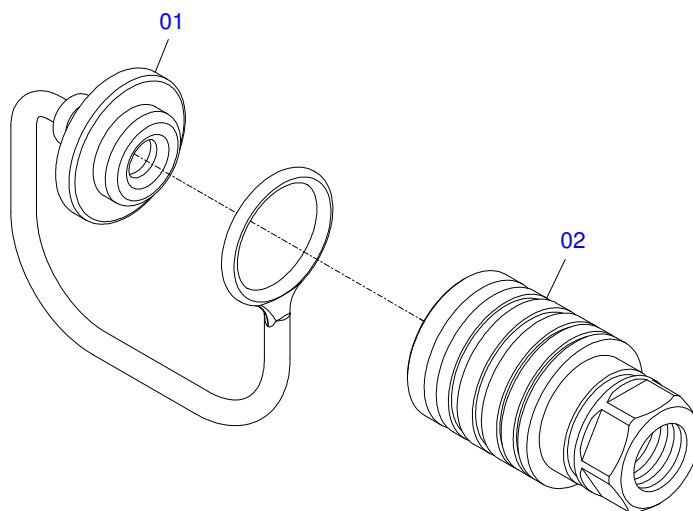
Item	Code	Description	QT
01	0511066339	101,6 X 548 CYLINDER CASE - PCA 600	01
01A	0521010514	38,1 X 52,9 X 50 SLEEVE INTER	01
02	0521066430	44,45 X 630 EXTENDER - PCA 600	01
02A	0521010514	38,1 X 52,9 X 50 SLEEVE INTER	01
03	0503030385	CYLINDER PLUG N-002	02
04	0503010002	1800 GREASE FITTING	02
05	0581010302	RING OF SUPPORT	01
06	0502012822	101,60 MOBILE COVER	01
07	0503018158	OE 101605200211D-BR RING BS	02
08	0503011061	8-342 BACK-UP RING	02
09	0503010338	2-342 N 3006-9B O'RING	02
10	0503017936	RING	01
11	0503017938	RING GUIDE	01
12	0503017937	GASKET	01
13	0503010761	D-1750 SCRAPER RING	01
14	0503010994	W2-4000-500 PK RING G.E	01
15	0581010303	PISTON 4 - PCA 600	01
16	0503018029	2-217 O'RING	01
17	0503010817	1-1/4" SELF-ADJUSTING NUT	01



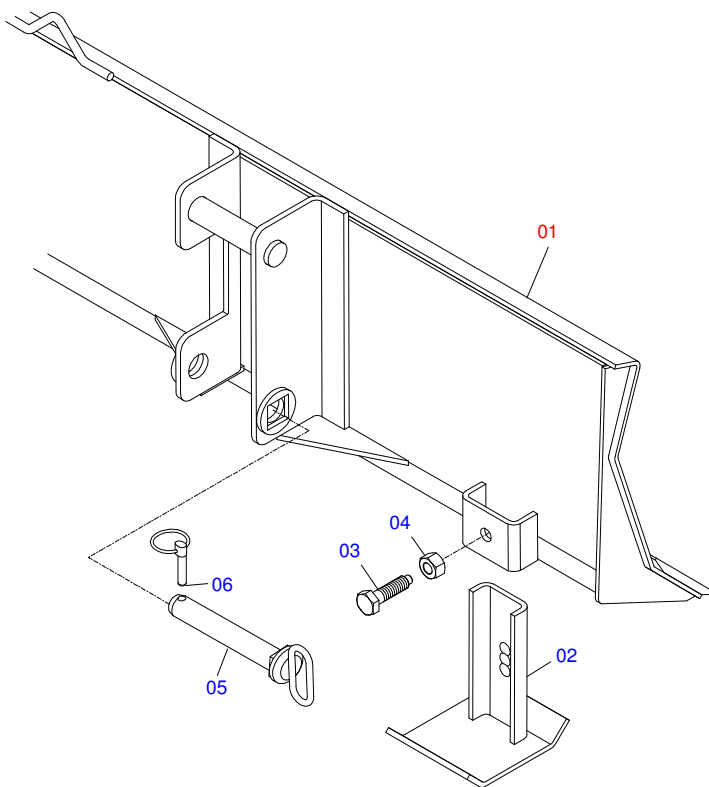
Item	Code	Description	QT
01	0501069934	ARTÍCULOS SOPORTE PCA 600 AX 5.80-4	01
02	0521010904	1.5" X 1.4" PIVOT SHAFT	01
03	0501012916	FLAT WASHER 38,50 X 66 X 4,75 ZN	01
04	0503010534	3/8 X 2-1/2 COTTERPIN	03
05	0511019519	1.5" X 1.4" PIVOT SHAFT	02
06	0511019685	FLAT WASHER	02
07	0503010002	1800 GREASE FITTING	02



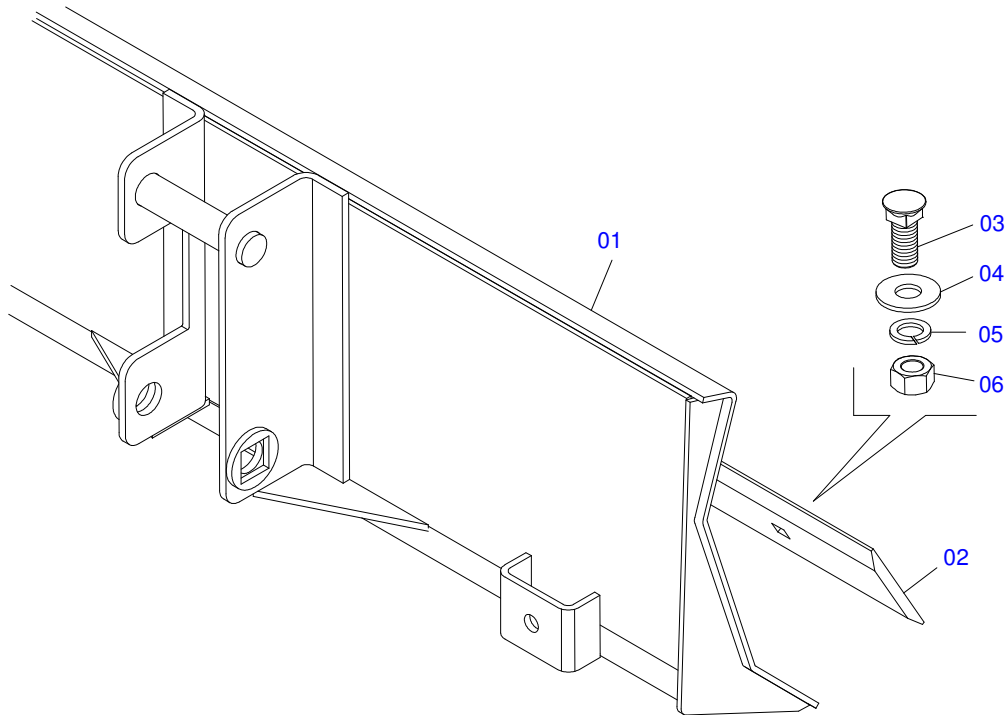
Item	Code	Description	QT
01	0503011627	QUICK CONNECTION (MALE) AGR 1/2 NPT	01
02	0503011882	QUICK CONNECTION COVER	01



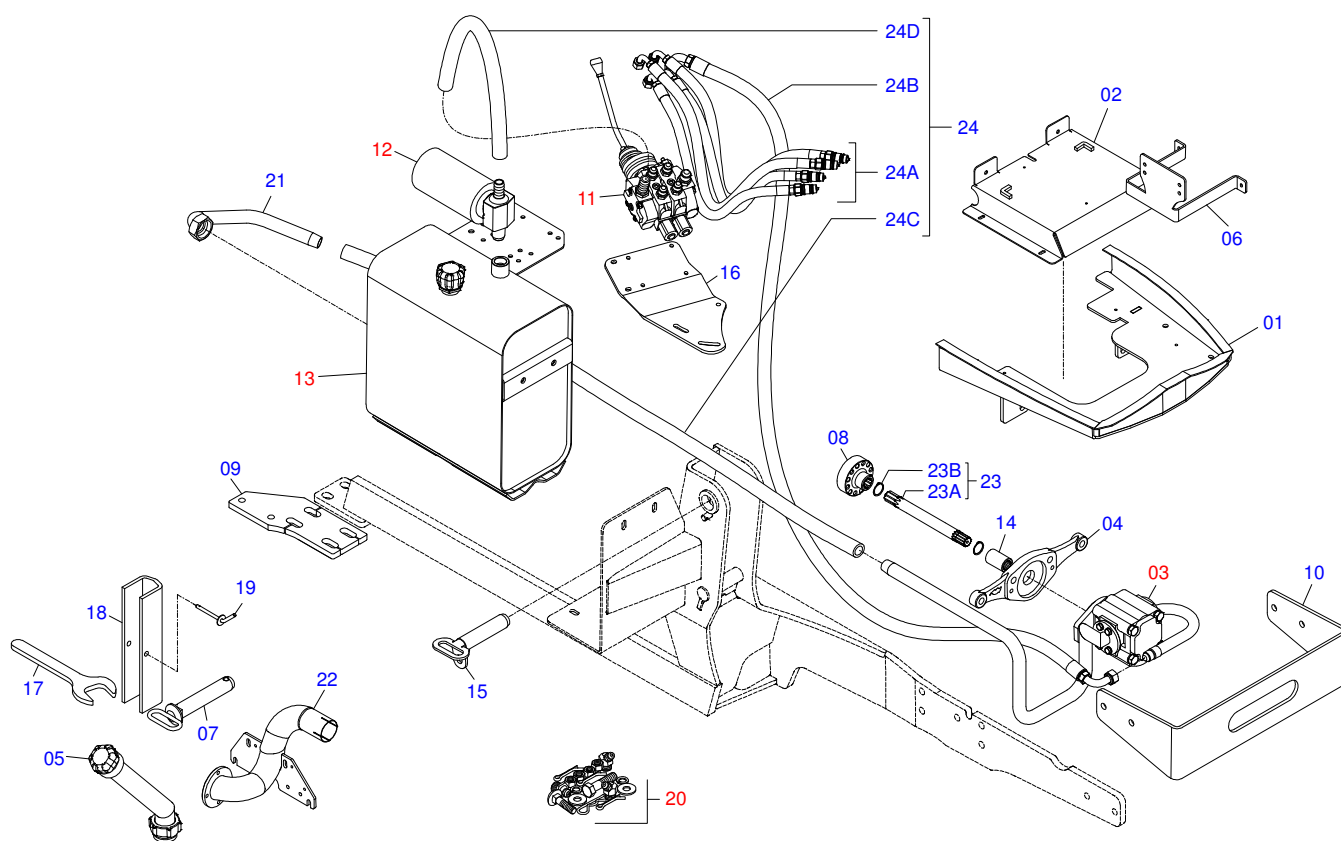
Item	Code	Description	QT
01	0503011883	QUICK CONNECTION COVER	01
02	0503011628	FEMALE QUICK COUPLER	01



Item	Code	Description	QT
01	0511047849	LDA 2200 WITHOUT SUPPORT	01
02	0511064780	SHOE SLIDE LIGHT STABILIZING	02
03	0501018246	3/4" X 3" BOLT	02
04	0503010014	3/4" NUT	02
05	0521067346	38,1 X 285 PIN WITH HANDLE	02
06	0503030430	7/16 X 2" PIN LOCK	02

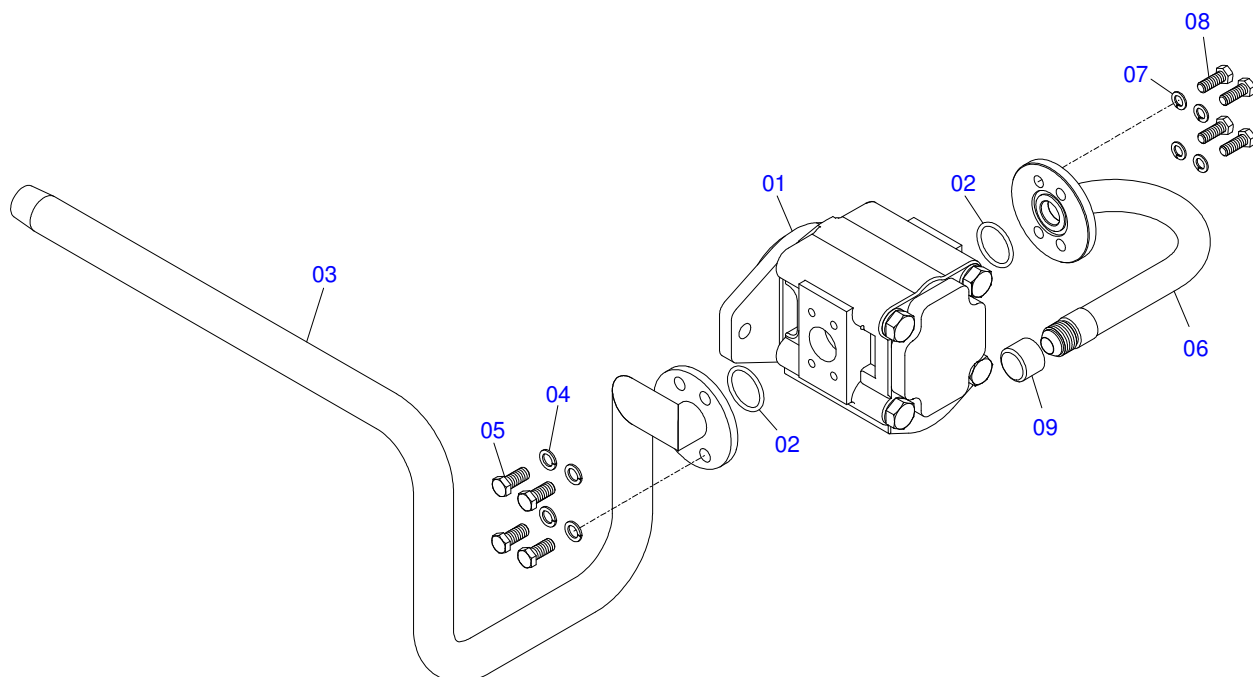


Item	Code	Description	QT
01	0511064165	BLADE FRONT	01
02	0531019518	SCRAPER 2220 X 6 X 1/2	01
03	0501012239	5/8" X 1.3/4" BOLT	07
04	0571010265	FLAT WASHER	07
05	0503011445	SPRING WASHER	07
06	0503010013	5/8" NUT	07

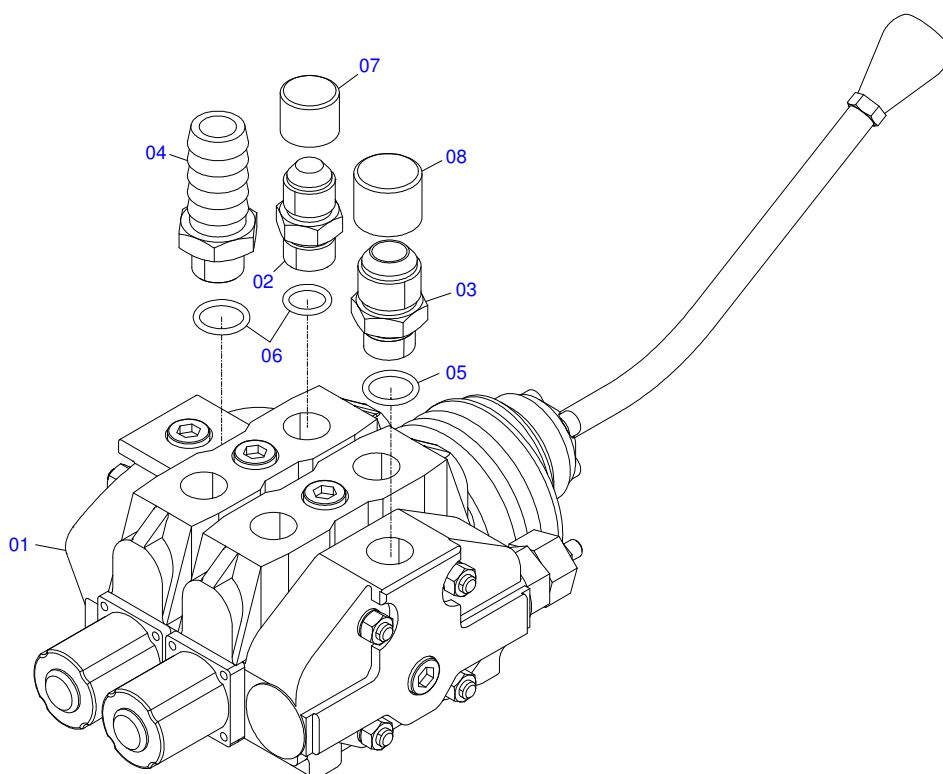


Item	Code	Description	QT
01	0521065610	FRONT COVER PD/PCA VTR A750/A950 G2	01
02	0521065612	BATTERY HOLDER PCA VTR A750/A950	01
03	0521045277	40L PUMP WITH PIPES	01
04	0502010097	PUMP SUPPORT	01
05	0511051801	TANK COVER EXTENSION	01
06	0571017962	FILTER HOLDER PD/PCA V A750/85/95 G2	01
07	0521063680	HITCH PIN (185) SAB PCA800	02
08	0501067327	COUPLING FLANGE	01
09	0571012309	DIFFERENTIAL SUPPORT - PCA/PD VTRA750/950	02
10	0571017231	FRONT PROTECTOR PCA VTR A750/850/950	01
11	0521045384	DOUBLE COMMAND WALVOIL	01
12	0501041108	RETURNING FILTER ASSY	01
13	0501047575	OIL RESERVOIR ASSY	01
14	0503030838	1-1/8" X 2.4" SLEEVE	01
15	0521061682	AXLE FIXER	02
16	0571018030	EXTENSION OF THE CONTROL BRACKET	01
17	0511010153	2-5/16" FIXED WRENCH	01
18	0531017238	LOCK TRANSPORT 357 GAPCW 45	02
19	0501068994	0.3" X 3.1" LOCK PIN	02
20	0511031634	PACKAGED PARTS	01
21	0501066854	TANK OUTER TUBE	01
22	0521065911	EXHAUST SUPPLEMENT	01
23	0521054138	290 X 1.1/8 SHAFT WITH LOCKING RING	01
23A	0521065607	290 X 1.1/8 STRIATED SHAFT	01
23B	0503010174	501028 CLAMPING RING (FOR AXLE)	02
24	0511056845	HOSE SET	01
24A	0501080550	3/8" X 55.12" TC-TM HOSE	04
24B	0501082006	3/4 X 2400 TC-TC HOSE	01
24C	0501013424	1.1/4 X 1200 AB-AB HOSE	01
24D	0501013338	AB-AB HOSE	01

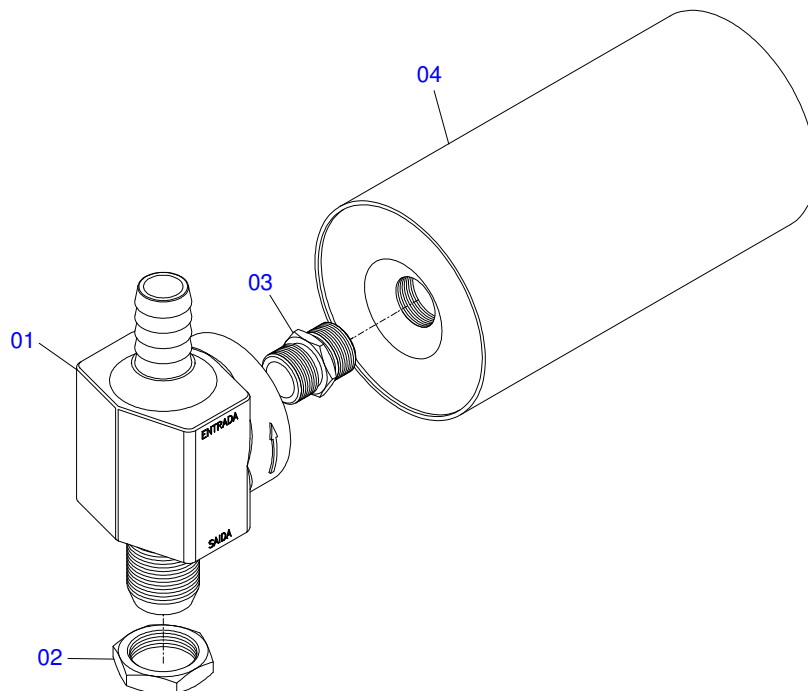




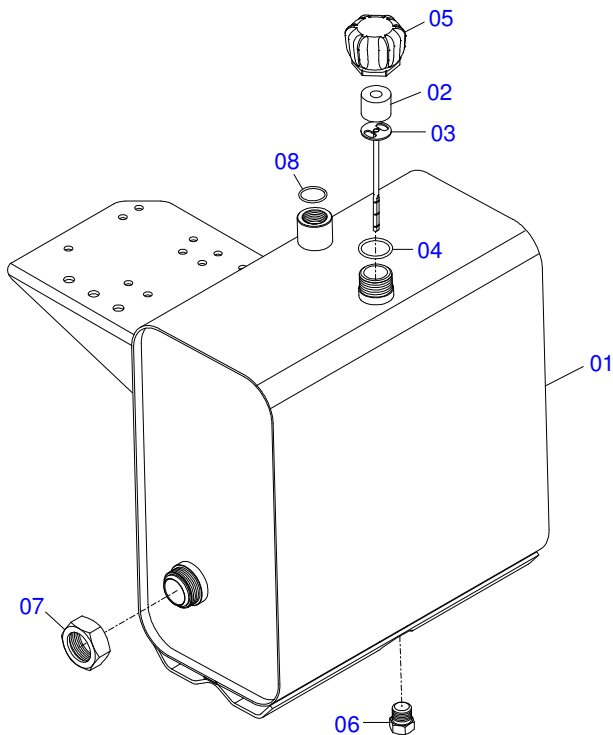
Item	Code	Description	QT
001	0503060153	40L 1/2" PUMP	01
002	0503010173	2-220 N 3006-9B O'RING	02
003	0521065608	SUCTION DUCT PCA VTR A750/A950	01
004	0503010180	7/16" SPRING WASHER	04
005	0503010355	7/16" X 1" BOLT	04
006	0521065615	PUMP PRESSURE LINE CA VTR A750/950	01
007	0503010025	3/8 SPRING WASHER	04
008	0503011087	3/8" X 1" BOLT	04
009	0503030388	PLUG N-005	01



Item	Code	Description	QT
01	0503062350	406281 DOUBLE COMMAND WALVOIL	01
02	0501010590	7/8" REDUCTION NIPPLE	04
03	0551011253	R1.1/16 JICX7/8 SAE S1.1/8X50 NIPPLE	01
04	0501011806	1" HOSE NIPPLE	01
05	0503010045	2-116 N 3006-9B O'RING	03
06	0503010190	2-114 N 3006-9B O'RING	04
07	0503030385	CYLINDER PLUG N-002	04
08	0503030387	PLUG	03

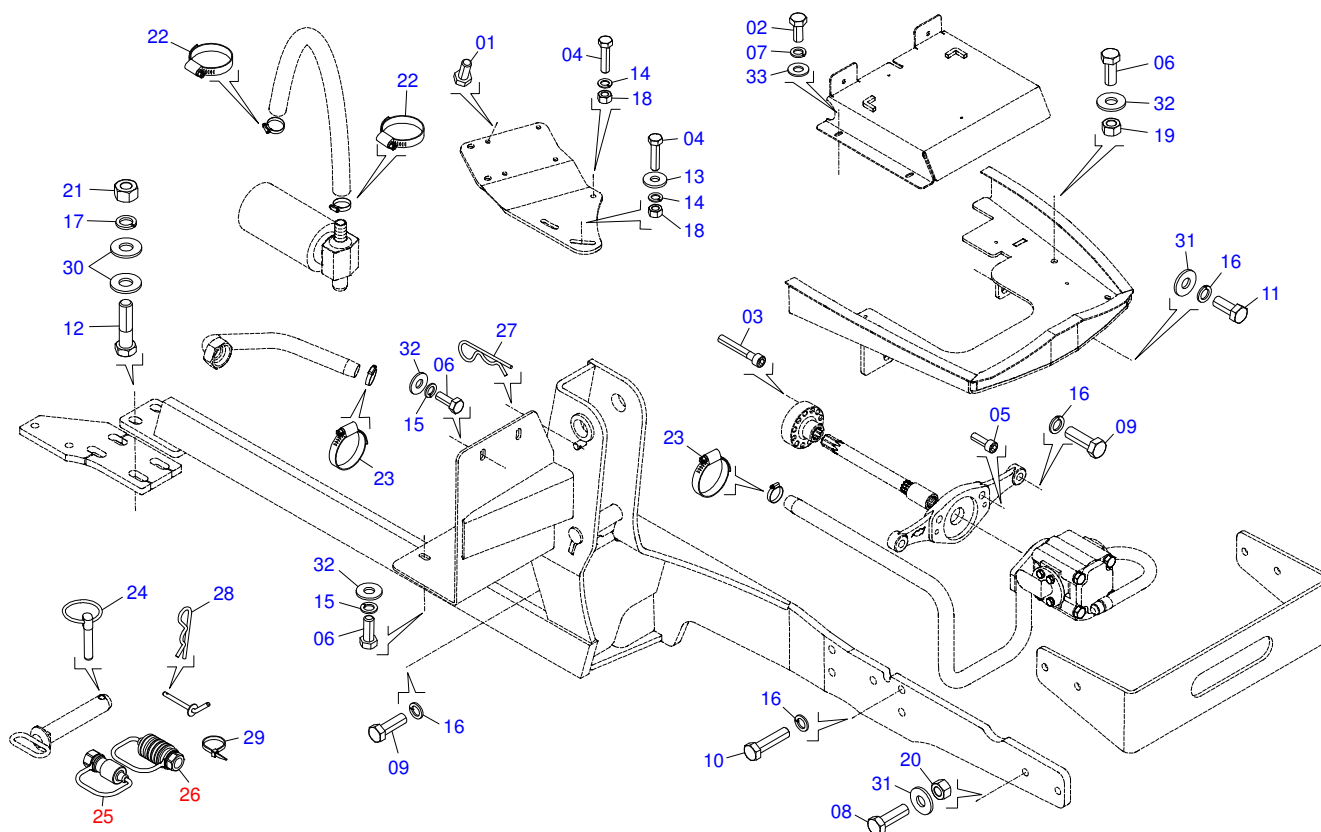


Item	Code	Description	QT
01	0502050002	RETURNING FILTER HEAD	01
02	0501010594	1" NUT	01
03	0501010595	1" NF NIPPLE	01
04	0503010183	RETURNING FILTER	01



Item	Code	Description	QT
01	0501068685	OIL RESERVOIR	01
02	0503030044	FILTERING ELEMENT	01
03	0501060975	OIL GAGE	01
04	0503010185	2-221 N 3006-9B O'RING	01
05	0502020472	FRONTAL COVER	01
06	0503031604	1/2" BSP PLUG	01
07	0501016309	2" 1X 2.5/16" NUT	01
08	0503010046	2-216 N 3006-9B O'RING	01

PACKAGED PARTS



Item	Code	Description	QT
01	0503015106	5/16 UNF X 3/4 C S G.5 ZN BOLT	04
02	0503016506	5/16 UNC X 3/4 C S G.5 ZN BOLT	04
03	0503011313	M 8 X 1,25 X 50 BOLT	06
04	0503010849	3/8" X 1-1/2" BOLT	03
05	0503010728	M10 X 1.2" BOLT	02
06	0501010161	1/2" X 1.1/4" BOLT	04
07	0503010179	SPRING WASHER	04
08	0501010100	5/8 UNC X 2 C S G.5 BOLT	04
09	0503011188	M16 X 2 X 50 BOLT	12
10	0503012573	M16 X 2 X 65 BOLT	08
11	0503010148	M16 X 2 X 40 BOLT	02
12	0501010500	3/4"X3"BOLT	04
13	0501010984	FLAT WASHER	03
14	0503010025	3/8 SPRING WASHER	03
15	0503010019	1/2" SPRING WASHER	03
16	0503010027	SPRING WASHER	20
17	0503010023	SPRING WASHER	04
18	0503010026	3/8" NUT	03
19	0503010060	1/2" NUT	01
20	0503010013	5/8" NUT	04
21	0503010014	3/4" NUT	04
22	0503010184	CLAMP	02
23	0503010243	CLAMP	02
24	0503030430	7/16 X 2" PIN LOCK	02
25	0501053834	MALE QUICK COUPLING AGRICULTURAL WITH	02
26	0501053835	FEMALE QUICK COUPLER	02
27	0503030012	HAIR PIN	02
28	0503030168	HAIR PIN	02
29	0503013100	NYLON CLAMP	04
30	0501010322	FLAT WASHER	08
31	0501012140	FLAT WASHER	12
32	0511017302	FLAT WASHER	04
33	0501010694	FLAT WASHER	04





**MARCHESAN IMPLEMENTOS E MÁQUINAS AGRÍCOLAS TATU S.A.**

AV. Marchesan, 1979 - Post office box, 131 - CEP 15994-900 - Matão - SP - Brazil

Phone +55 16.3382-8282

(FAX Parts) + 55 16.3382. 8297 - (Export) + 55 16.3382.1003

e.mail: [tatu@marchesan.com.br](mailto:tatu@marchesan.com.br) [www.marchesan.com.br](http://www.marchesan.com.br)

**Technical Publications: Elaboration**

JOÃO VIRGINIO ROCHA

**Technical Publications: Revision**

JOÃO VIRGINIO ROCHA

*Contact Catálogo:*

*E-mail = [jgaspari@marchesan.com.br](mailto:jgaspari@marchesan.com.br)*

**ORIGINAL PARTS  
TATU**

