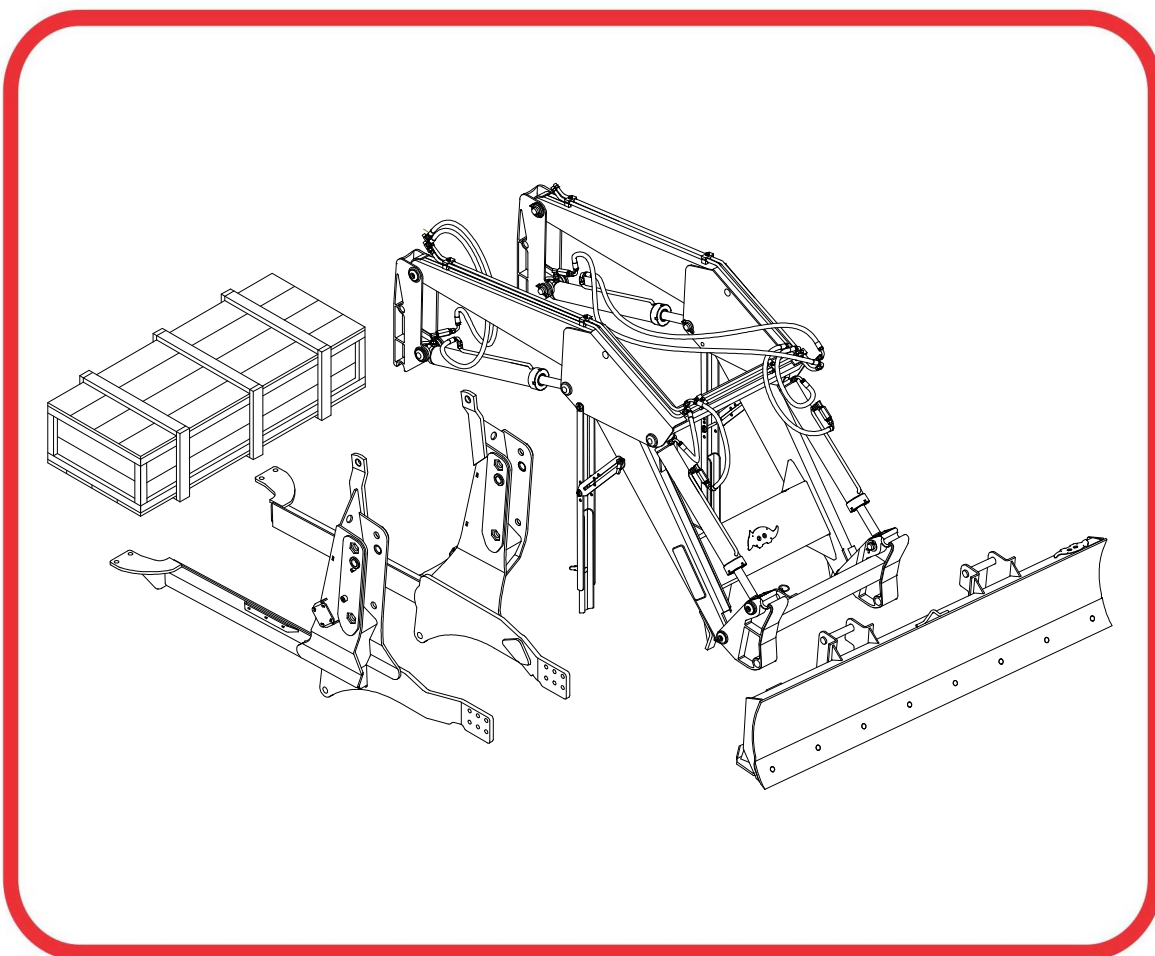


PARTS CATALOG

PCA - AGRICULTURAL FRONT LOADER

PCA 800 VTR BM110/125 IB TSC G3

Code: 0501092354



Series: S-0815

Rev.: 00

Date Rev.: OUTUBRO/2018

**ORIGINAL PARTS
TATU**



PRODUCTS

Code
0106111594

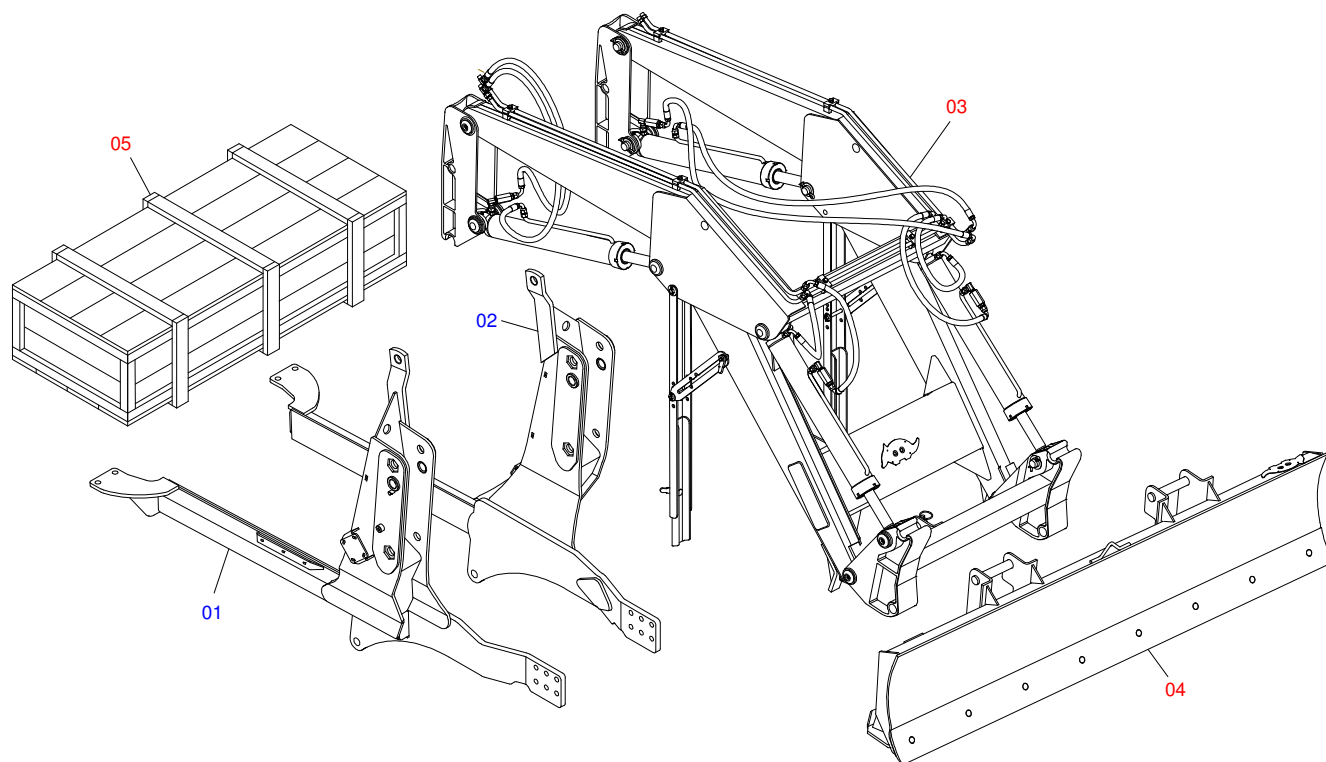
Description
PCA 800 COMPLETO - VTR

ATTENTION: *IMPORTANT*

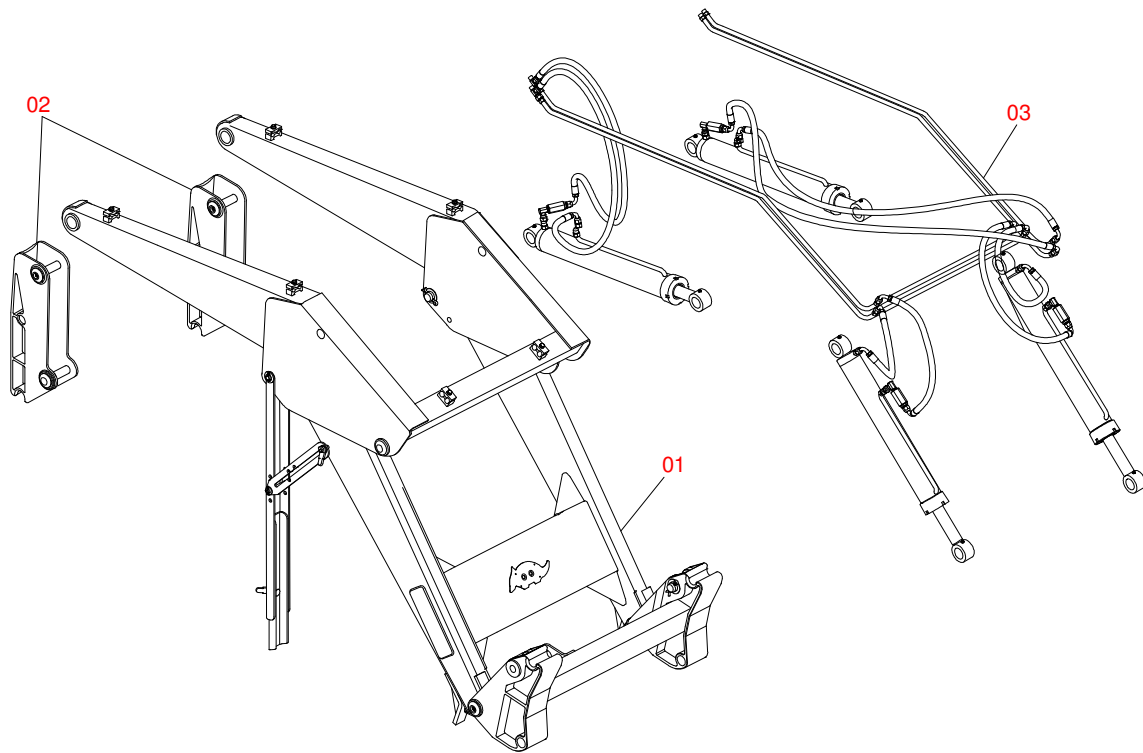
MARCHESAN S/A RESERVES THE RIGHT AT ANY TIME TO MAKE IMPROVEMENTS IN THE DESIGN, MATERIAL OR SPECIFICATIONS OF MACHINERY, EQUIPMENT OR PARTS WITHOUT THEREBY BECOMING LIABLE TO MAKE SIMILAR CHANGES IN MACHINERY, EQUIPMENT OR PARTS PREVIOUSLY SOLD.

INDEX

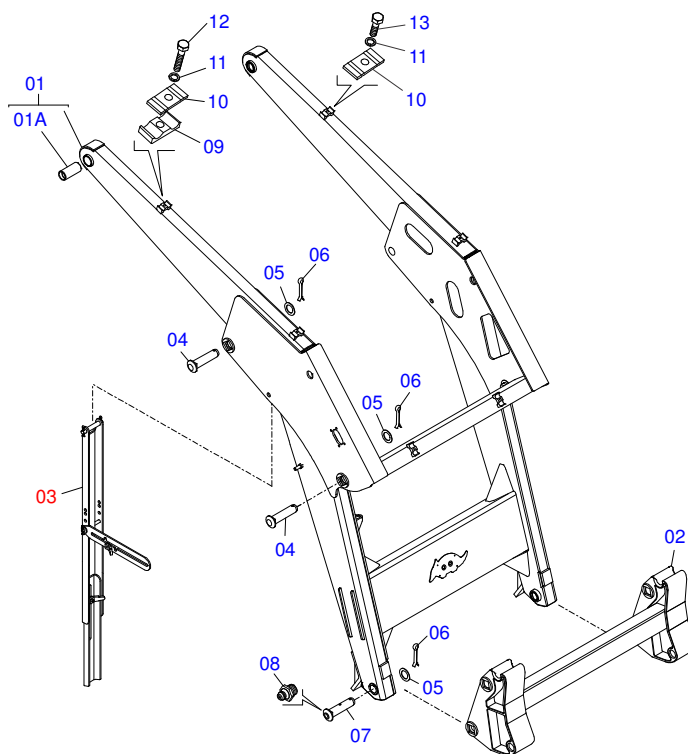
| | | | |
|------------|--|-------|----|
| 0106111594 | FULL PCA 800 - VTR | | 1 |
| 0521046063 | FULL MOVABLE STAND - PCA 800 | | 2 |
| 0909094914 | MOBILE SUPPORT - PCA 800 | | 3 |
| 0909094132 | MOBILE TOWER - PCA 800 | | 4 |
| 0909092667 | ADJUSTABLE REST OF MOVABLE SUPPORT | | 5 |
| 0909094915 | HYDRAULIC CIRCUIT OF THE MOBILE HOLDER | | 6 |
| 0511057973 | HIDRAULIC CYLINDER 44,45 X 76,20 X 820 X 551 | | 7 |
| 0511057974 | 44,45 X 85,72 X 870 X 593 HYDRAULIC CYLINDER | | 8 |
| 0501053834 | MALE QUICK COUPLING AGRICULTURAL WITH COVER - 1/2 NPT | | 9 |
| 0501048065 | LDA 2400 FULL - PCA 800 | | 10 |
| 0511043382 | DOZER BLADE 2400 - PCA 800 | | 11 |
| 0521022081 | BOX WITH COMPONENTS | | 12 |
| 0511031991 | PACKAGED PARTS | | 13 |
| 0501041849 | FULL 1.1/4" NC X 910 ROD | | 14 |
| 0501041652 | FULL 1.1/4" X 31.88" ROD ASSY | | 15 |



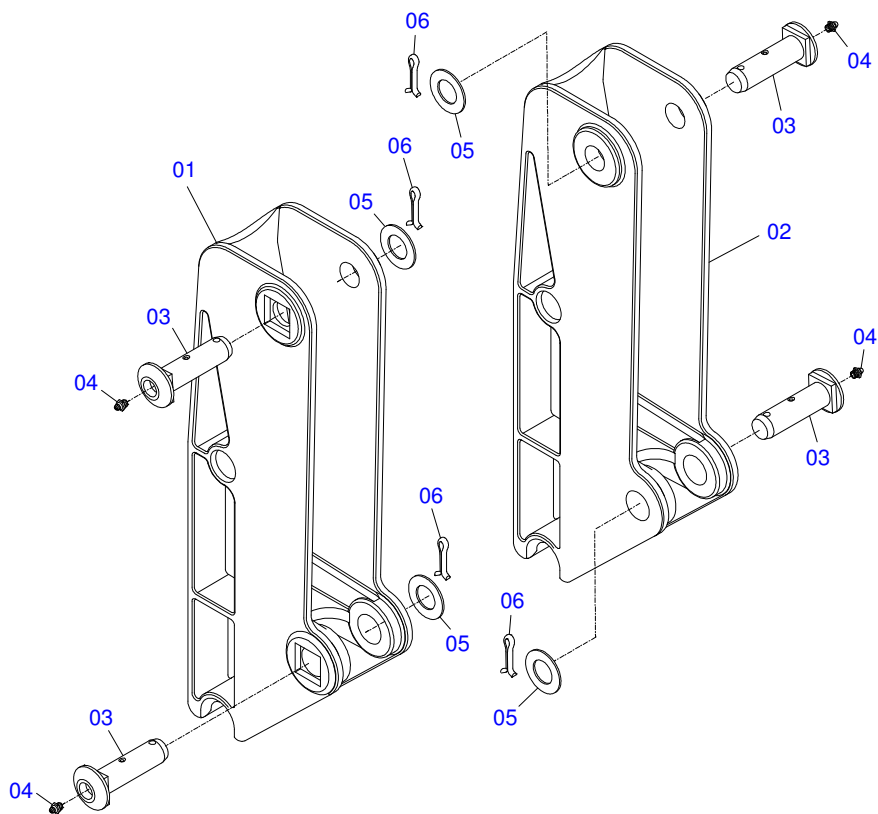
| Item | Code | Description | QT |
|------|------------|------------------------------|----|
| 01 | 0521066560 | RIGHT FRAME | 01 |
| 02 | 0521066563 | LEFT FRAME | 01 |
| 03 | 0521046063 | FULL MOVABLE STAND - PCA 800 | 01 |
| 04 | 0501048065 | LDA 2400 FULL - PCA 800 | 01 |
| 05 | 0521022081 | BOX WITH COMPONENTS | 01 |



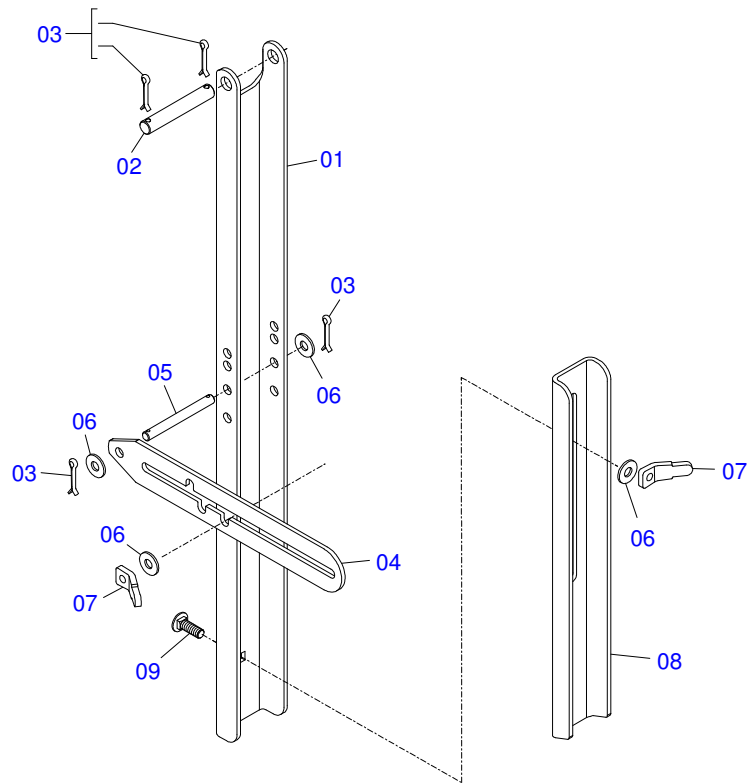
| Item | Code | Description | QT |
|------|------------|--|----|
| 01 | 0909094914 | MOBILE SUPPORT - PCA 800 | 01 |
| 02 | 0909094132 | MOBILLE TOWER - PCA 800 | 01 |
| 03 | 0909094915 | HYDRAULIC CIRCUIT OF THE MOBILE HOLDER | 01 |



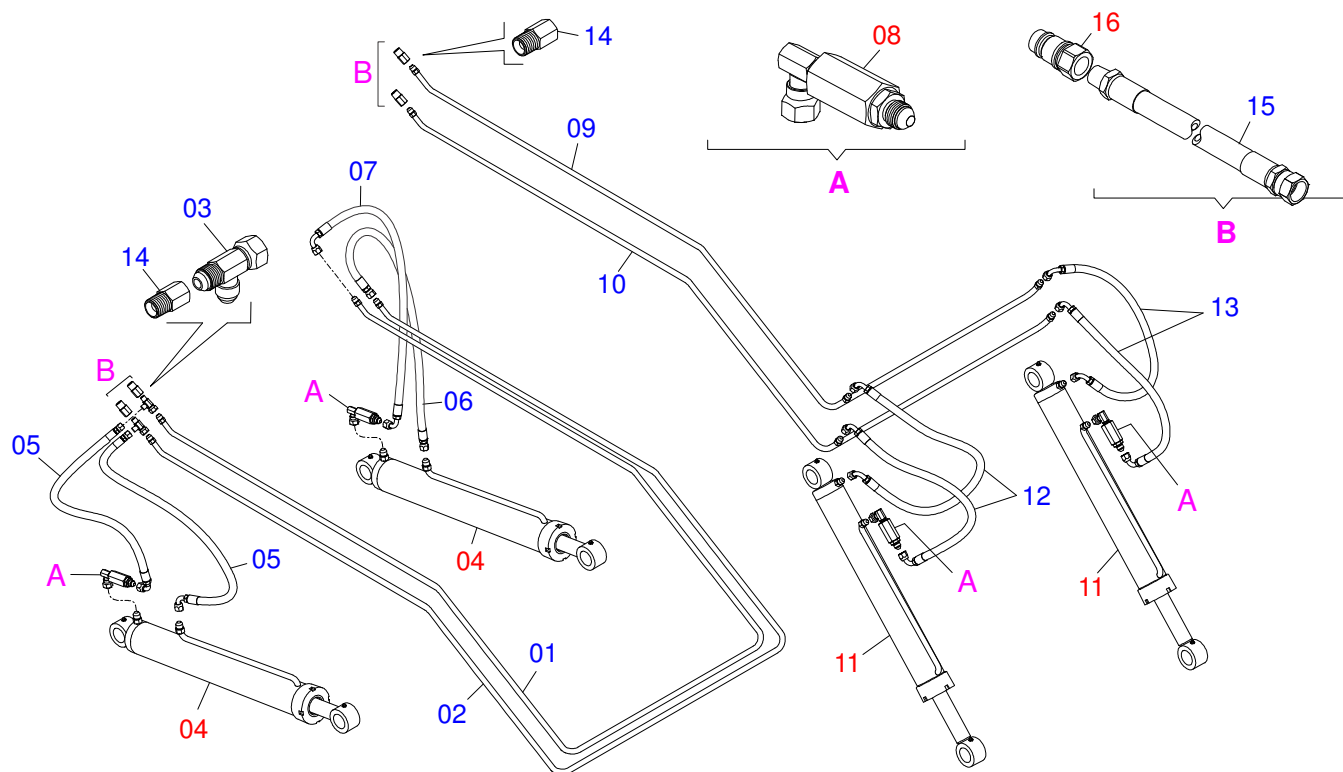
| Item | Code | Description | QT |
|------|------------|------------------------------------|----|
| 01 | 0511066050 | MOBILE SUPPORT | 01 |
| 01A | 0501110286 | SLEEVE | 04 |
| 02 | 0501069939 | PIVOT SUPPORT | 01 |
| 03 | 0909092667 | ADJUSTABLE REST OF MOVABLE SUPPORT | 02 |
| 04 | 0521012868 | 1.4" X 5" PIVOT SHAFT | 02 |
| 05 | 0511019685 | FLAT WASHER | 02 |
| 06 | 0503010534 | 3/8 X 2-1/2 COTTERPIN | 06 |
| 07 | 0521012870 | 1.46" X 6.18" PIVOT SHAFT | 02 |
| 08 | 0503010002 | 1800 GREASE FITTING | 02 |
| 09 | 1902010477 | UPPER CLAMP BODY | 04 |
| 10 | 0531011180 | UPPER BODY CLIP | 06 |
| 11 | 0503010180 | 7/16" SPRING WASHER | 06 |
| 12 | 0503012555 | 7/16" X 2" BOLT | 04 |
| 13 | 0503011102 | PARAFUSO 7/16 UNC X 1.1/4 C S G.5 | 02 |



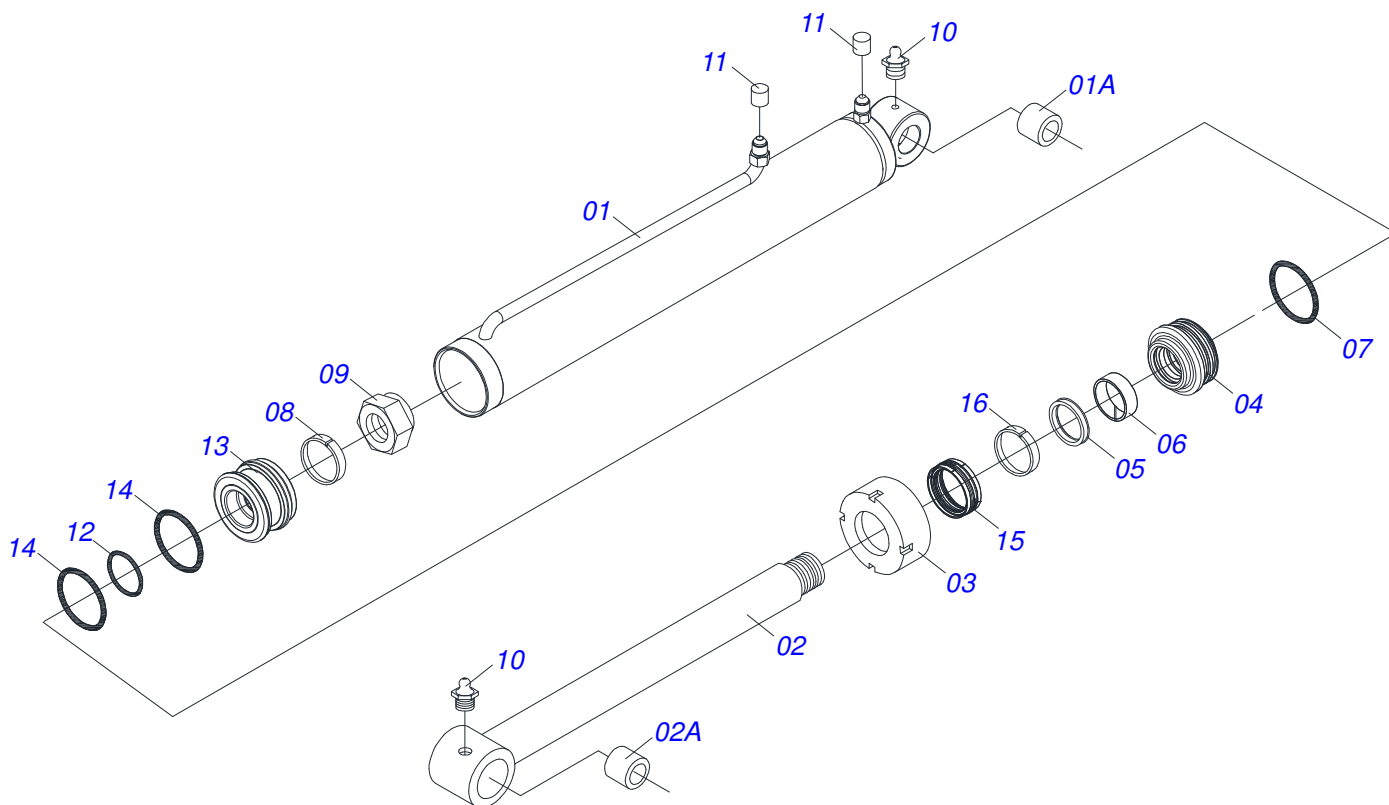
| Item | Code | Description | QT |
|------|------------|---------------------------|----|
| 01 | 0502012472 | MOBILE TOWER | 01 |
| 02 | 0502012473 | LEFT MOBILE TOWER | 01 |
| 03 | 0521012870 | 1.46" X 6.18" PIVOT SHAFT | 04 |
| 04 | 0503010002 | 1800 GREASE FITTING | 04 |
| 05 | 0511019685 | FLAT WASHER | 04 |
| 06 | 0503010534 | 3/8 X 2-1/2 COTTERPIN | 04 |



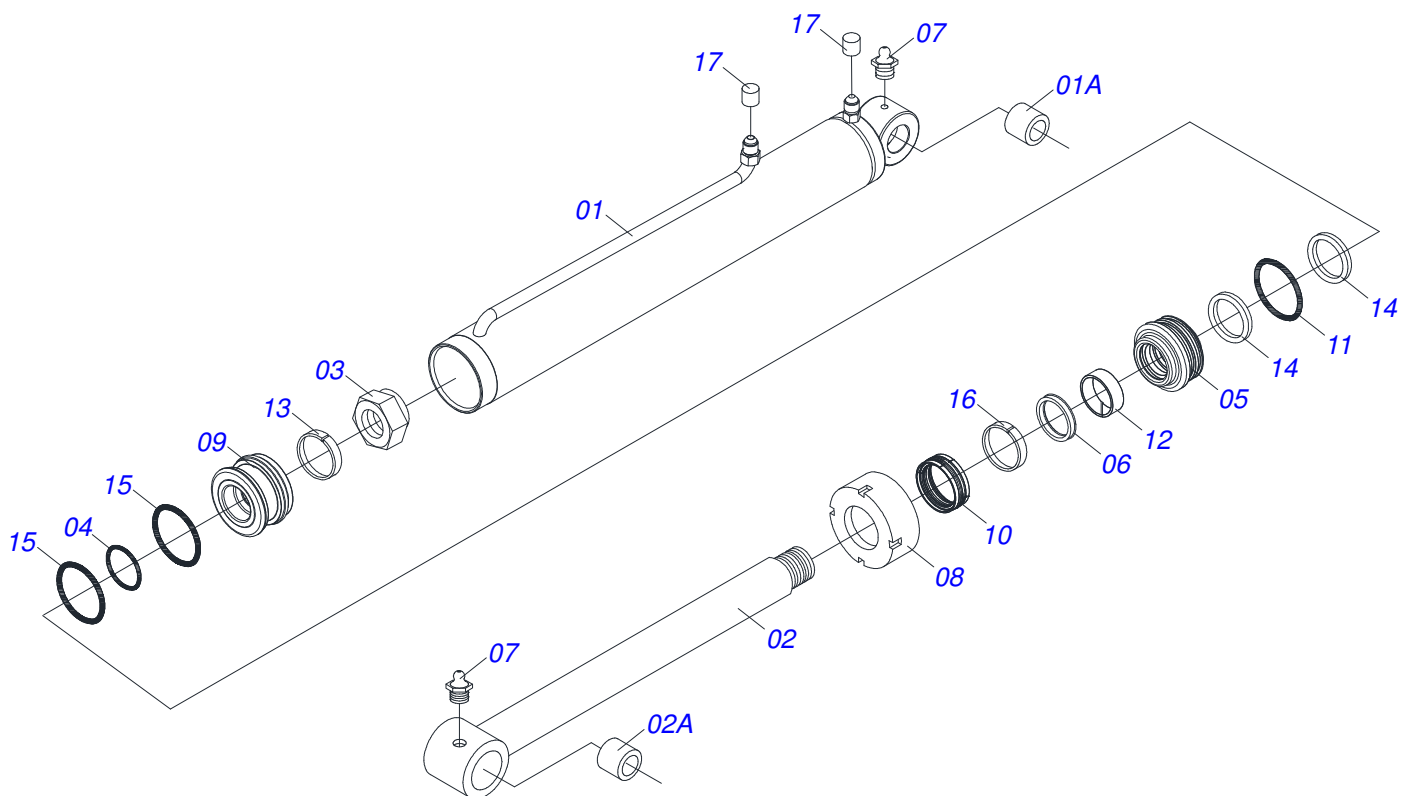
| Item | Code | Description | QT |
|------|------------|----------------------------|----|
| 01 | 0561016401 | PLOUGH SUPPORT BODY | 02 |
| 02 | 0511013598 | 3/4" X 4.7" COUPLING SHAFT | 02 |
| 03 | 0503010071 | 3/16" X 1" COTTERPIN | 08 |
| 04 | 0511019634 | CONTROL LOCK | 02 |
| 05 | 0521012823 | COUPLING SHAFT | 02 |
| 06 | 0511017302 | FLAT WASHER | 08 |
| 07 | 0561016329 | LATCH HOLDER REST PCA | 04 |
| 08 | 0561016619 | COMPLEMENTON REST | 02 |
| 09 | 0503014378 | 1/2" X 1-1/2" BOLT | 02 |



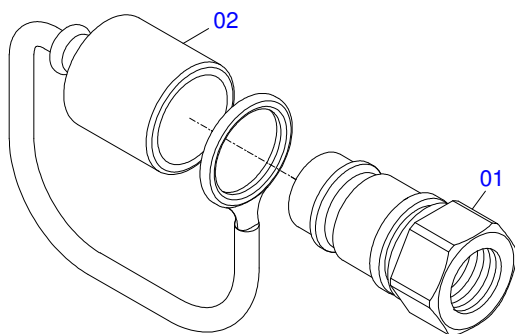
| Item | Code | Description | QT |
|------|------------|--|----|
| 01 | 0521061820 | INNER DISTRIBUTOR TUBE OIL | 01 |
| 02 | 0521061821 | OUTER DISTRIBUTOR TUBE OIL | 01 |
| 03 | 0503011968 | T ADAPTOR WITH GIRAT | 02 |
| 04 | 0511057974 | 44,45 X 85,72 X 870 X 593 HYDRAULIC CYLINDER | 02 |
| 05 | 0501080150 | TR-TC HOSE ASSY | 02 |
| 06 | 0501080105 | TR-TR HOSE ASSY | 01 |
| 07 | 0501080766 | 3/8" X 27.56" TC-TC HOSE | 01 |
| 08 | 0511057772 | SECURITY VALVE SET | 04 |
| 09 | 0501069858 | LH RIGHT OIL TUBE | 01 |
| 10 | 0501069857 | RIGHT RIGHT OIL TUBE | 01 |
| 11 | 0511057973 | HIDRAULIC CYLINDER 44,45 X 76,20 X 820 X 551 | 02 |
| 12 | 0501080777 | LH 3/8" X 25.9" TC-TC HOSE | 02 |
| 13 | 0501080688 | 3/8" X 25" TC-TC 90G HOSE | 02 |
| 14 | 0511019876 | 1/2" NIPPLE | 04 |
| 15 | 0501081124 | HOSE 3/8" X 4200-TM TR | 04 |
| 16 | 0501053834 | MALE QUICK COUPLING AGRICULTURAL WITH | 04 |



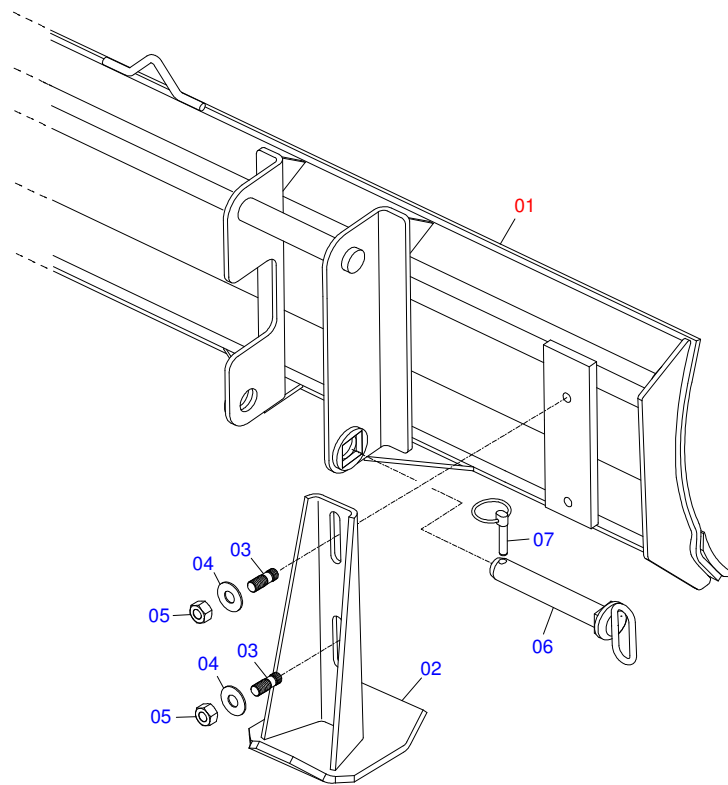
| Item | Code | Description | QT |
|------|------------|-------------------------------|----|
| 01 | 0521066381 | CYLINDER CASE76,20 X 723 | 01 |
| 01A | 0521010514 | 38,1 X 52,9 X 50 SLEEVE INTER | 01 |
| 02 | 0511065578 | 1.7" X 28.18"TURNBUCLE | 01 |
| 02A | 0521010514 | 38,1 X 52,9 X 50 SLEEVE INTER | 01 |
| 03 | 0502011899 | MOBILE COVER | 01 |
| 04 | 0502012264 | RING SUPPORT 1.75" X 3" | 01 |
| 05 | 0503010761 | D-1750 SCRAPER RING | 01 |
| 06 | 0503010949 | W2-2000-500 PK RING G.E | 01 |
| 07 | 0503010343 | 2-334 N 3006-9B O'RING | 01 |
| 08 | 0503011059 | 8-334 BACK-UP RING | 01 |
| 09 | 0503010063 | 1" SELF-ALIGNING NUT | 01 |
| 10 | 0503010002 | 1800 GREASE FITTING | 02 |
| 11 | 0503030385 | PLUG | 02 |
| 12 | 0503010042 | 2-214 N 3006-9B O'RING | 01 |
| 13 | 0581010304 | PISTON | 01 |
| 14 | 0503018138 | RING BS | 02 |
| 15 | 0503018140 | RING GUIDE | 01 |
| 16 | 0503017937 | GASKET | 01 |



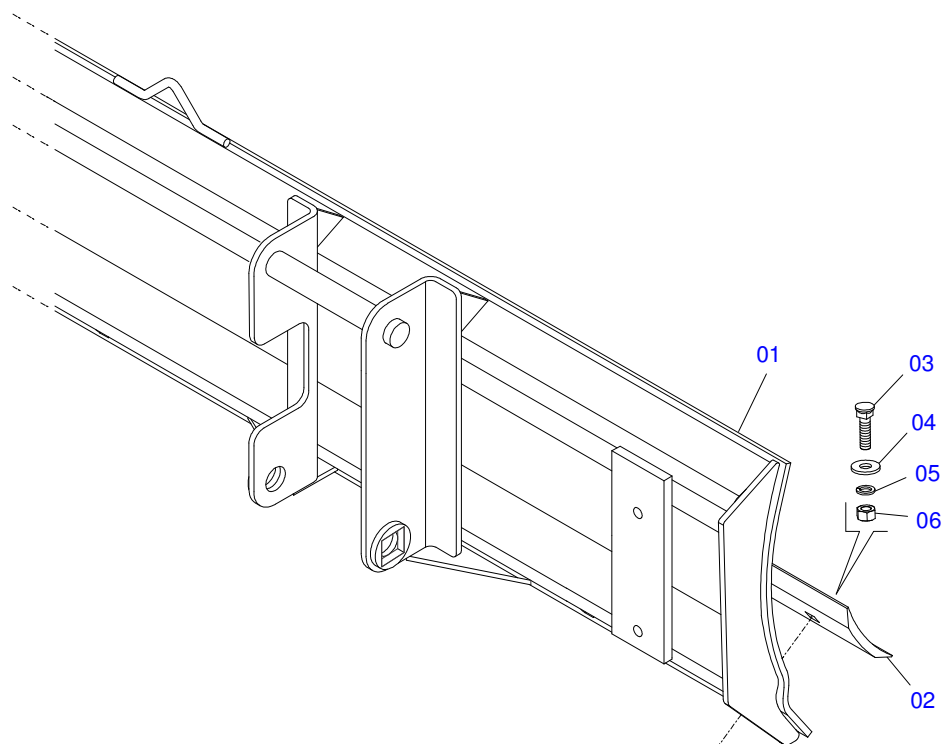
| Item | Code | Description | QT |
|------|------------|-------------------------------|----|
| 01 | 0511069198 | BODY SHIRT WITH MAKING | 01 |
| 01A | 0521010514 | 38,1 X 52,9 X 50 SLEEVE INTER | 01 |
| 02 | 0521066404 | 44,45 X 772 TURNBUCKLE | 01 |
| 02A | 0521010514 | 38,1 X 52,9 X 50 SLEEVE INTER | 01 |
| 03 | 0503010063 | 1" SELF-ALIGNING NUT | 01 |
| 04 | 0503010042 | 2-214 N 3006-9B O'RING | 01 |
| 05 | 0571019711 | RING SUPPORT | 01 |
| 06 | 0503010761 | D-1750 SCRAPER RING | 01 |
| 07 | 0503010002 | 1800 GREASE FITTING | 02 |
| 08 | 0571019709 | DETACHABLE COVER | 01 |
| 09 | 0571019710 | 1.7" X 3.4" PISTON | 01 |
| 10 | 0503017935 | RING | 01 |
| 11 | 0503017936 | RING | 01 |
| 12 | 0503017938 | RING GUIDE | 01 |
| 13 | 0503017937 | GASKET | 01 |
| 14 | 0503017940 | 8-337 BACK-UP RING | 02 |
| 15 | 0503017939 | 2-337 N 3006-9B O' RING | 02 |
| 16 | 0503018144 | RING | 01 |
| 17 | 0503030385 | PLUG | 02 |



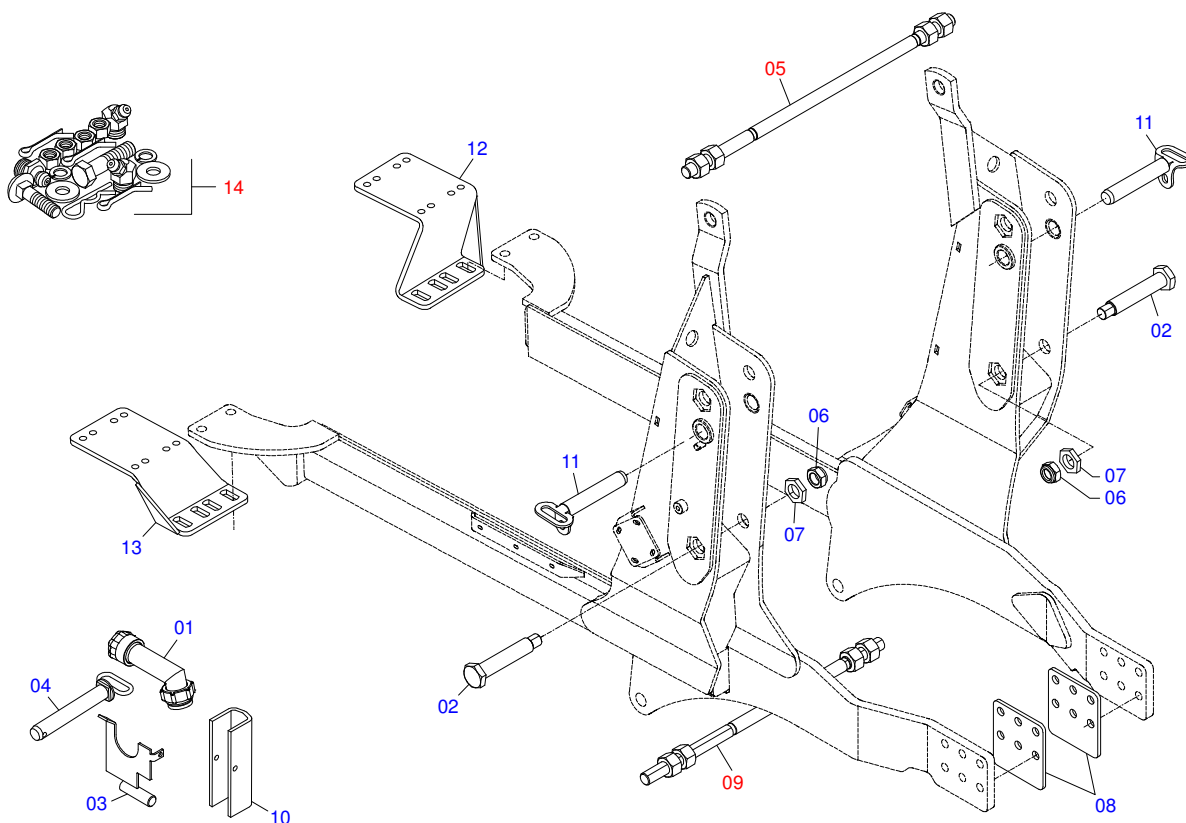
| Item | Code | Description | QT |
|------|------------|-------------------------------------|----|
| 01 | 0503011627 | QUICK CONNECTION (MALE) AGR 1/2 NPT | 01 |
| 02 | 0503011882 | QUICK CONNECTION COVER | 01 |



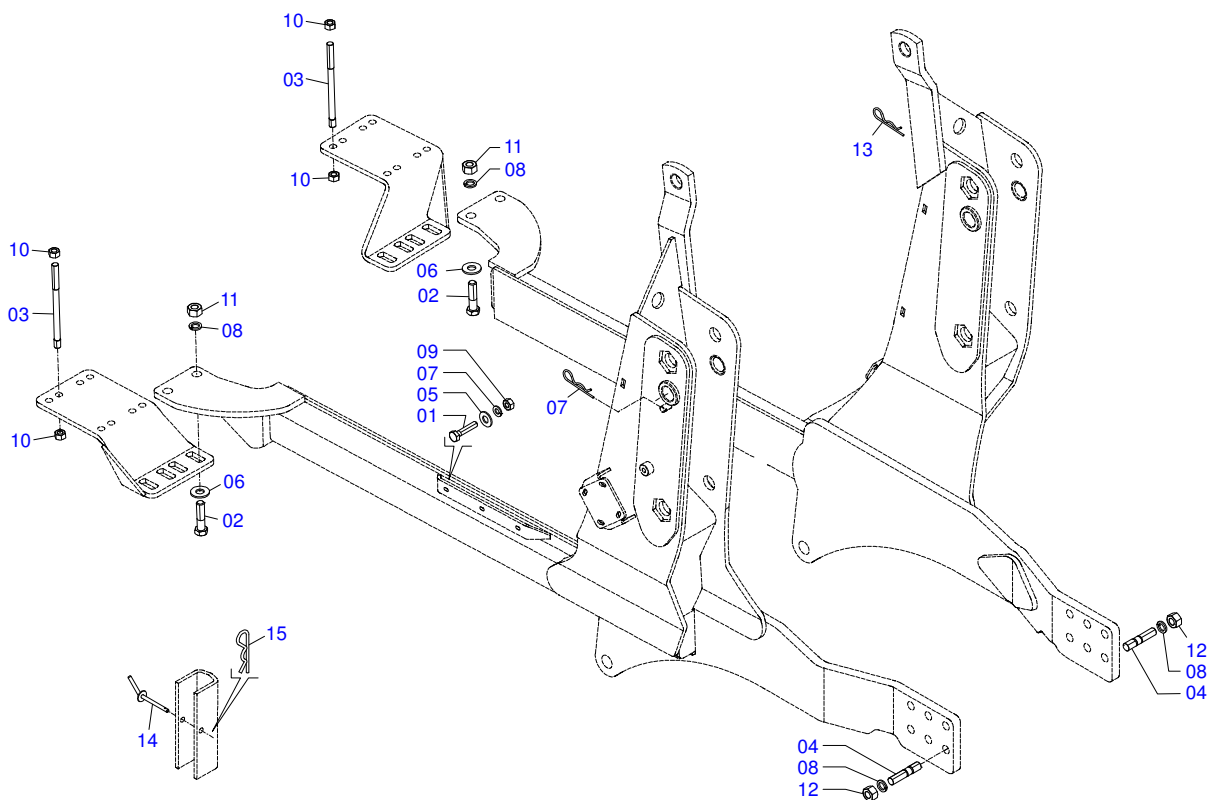
| Item | Code | Description | QT |
|------|------------|--|----|
| 01 | 0511043382 | DOZER BLADE 2400 - PCA 800 | 01 |
| 02 | 0501063411 | ESTABILIZER BRACKET | 02 |
| 03 | 0501010571 | 3/4" X 3/4" X 2.2" STUD | 04 |
| 04 | 0501010322 | FLAT WASHER | 04 |
| 05 | 0503010014 | 3/4" NUT | 04 |
| 06 | 0521066515 | 37,20 X 240 ARTICULATION SHAFT WITH HANDLE | 02 |
| 07 | 0503030430 | 7/16 X 2" PIN LOCK | 02 |



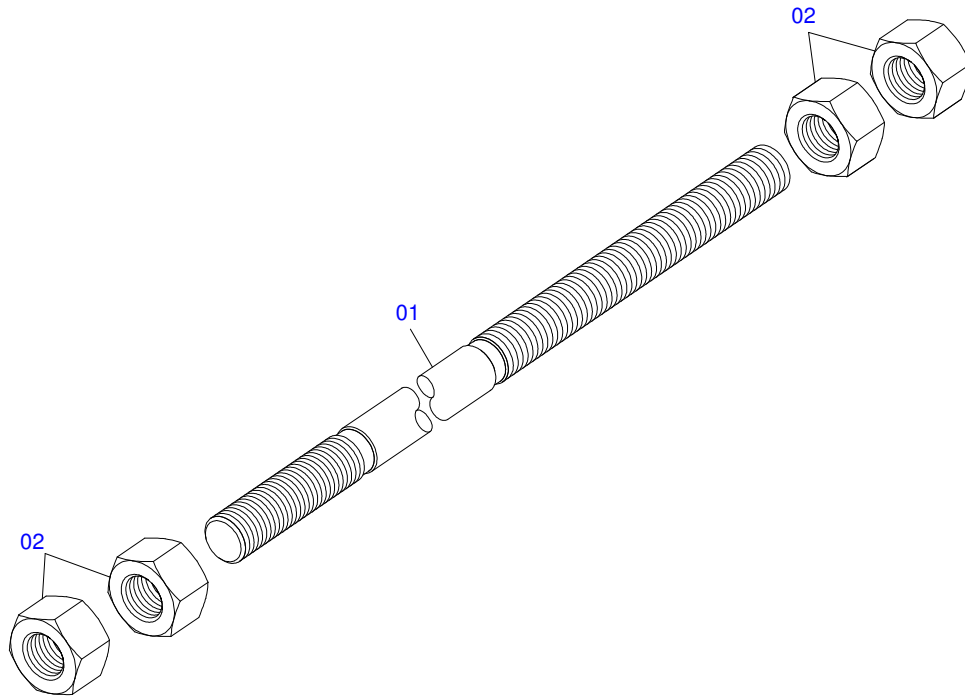
| Item | Code | Description | QT |
|------|------------|--------------------------|----|
| 01 | 0501069112 | 2400MM DOZER BLADE | 01 |
| 02 | 0622360016 | 94.5" SCRAPER REVERSIBLE | 01 |
| 03 | 0501012240 | 5/8" X 2-1/2" BOLT | 08 |
| 04 | 0501012140 | FLAT WASHER | 08 |
| 05 | 0503011445 | SPRING WASHER | 08 |
| 06 | 0503010013 | 5/8" NUT | 08 |



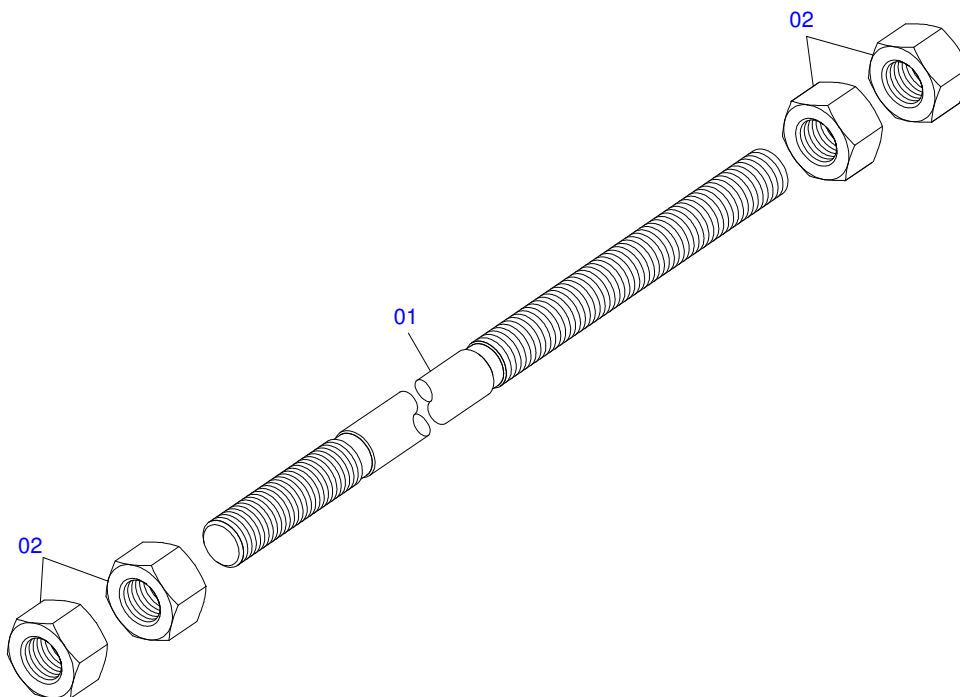
| Item | Code | Description | QT |
|------|------------|--|----|
| 01 | 0511058294 | TANK MOUTH EXTENDER | 01 |
| 02 | 0581010706 | 1.1 / 4 UNF X 207 SCREW | 02 |
| 03 | 0521066567 | FILTER PROTECTOR - VTR BM 110 S0815 | 01 |
| 04 | 0521066515 | 37,20 X 240 ARTICULATION SHAFT WITH HANDLE | 02 |
| 05 | 0501041849 | FULL 1.1/4" NC X 910 ROD | 01 |
| 06 | 0503010044 | 1-1/4" SELF-ADJUSTING NUT | 02 |
| 07 | 0581010243 | WASHER HEX | 02 |
| 08 | 0581010766 | KNOCKER - PD VTR BM 110 S-0815 | 02 |
| 09 | 0501041652 | FULL 1.1/4" X 31.88" ROD ASSY | 01 |
| 10 | 0551010280 | 253 TRANSPORT LOCK | 02 |
| 11 | 0521061681 | SUPPORT FIXER AXLE | 02 |
| 12 | 0521066568 | LEFT DIFFERENTIAL SUPPORT - VTR BM 110 S0815 | 01 |
| 13 | 0521066569 | DIFFERENTIAL RIGHT SUPPORT - VTR BM 110 | 01 |
| 14 | 0511031991 | PACKAGED PARTS | 01 |



| Item | Code | Description | QT |
|------|------------|--------------------------|----|
| 01 | 0503010743 | 1/4" X 1-1/4" BOLT | 03 |
| 02 | 0501010500 | 3/4"X3"BOLT | 04 |
| 03 | 0501011426 | 5/8" X 5/8" X 9.45" STUD | 08 |
| 04 | 0501010603 | 3/4" X 3.74" STUD | 12 |
| 05 | 0501010694 | FLAT WASHER | 03 |
| 06 | 0501010322 | FLAT WASHER | 12 |
| 07 | 0503010143 | SPRING WASHER | 03 |
| 08 | 0503010023 | SPRING WASHER | 16 |
| 09 | 0503010144 | 1/4" NUT | 03 |
| 10 | 0503010013 | 5/8" NUT | 16 |
| 11 | 0503010014 | 3/4" NUT | 08 |
| 12 | 0503010335 | 3/4"NUT | 12 |
| 13 | 0503030012 | HAIR PIN | 02 |
| 14 | 0501068994 | 0.3" X 3.1"LOCK PIN | 02 |
| 15 | 0503030168 | HAIR PIN | 02 |



| Item | Code | Description | QT |
|------|------------|------------------|----|
| 01 | 0501014914 | 1.1/4" X 910 ROD | 01 |
| 02 | 0501010087 | 1.1/4" NUT | 04 |



| Item | Code | Description | QT |
|------|------------|---------------------|----|
| 01 | 0501014916 | 1.1/4" X 31.88" ROD | 01 |
| 02 | 0501010087 | 1.1/4" NUT | 04 |



MARCHESAN IMPLEMENTOS E MÁQUINAS AGRÍCOLAS TATU S.A.

AV. Marchesan, 1979 - Post office box, 131 - CEP 15994-900 - Matão - SP - Brazil

Phone +55 16.3382-8282

(FAX Parts) + 55 16.3382. 8297 - (Export) + 55 16.3382.1003

e.mail: tatu@marchesan.com.br www.marchesan.com.br

Technical Publications: Elaboration

JOÃO VIRGINIO ROCHA

Technical Publications: Revision

ALESSANDRA PATRICIA KAWAHARA CARRILI

Contact Catálogo:

E-mail = jgaspari@marchesan.com.br

**ORIGINAL PARTS
TATU**

