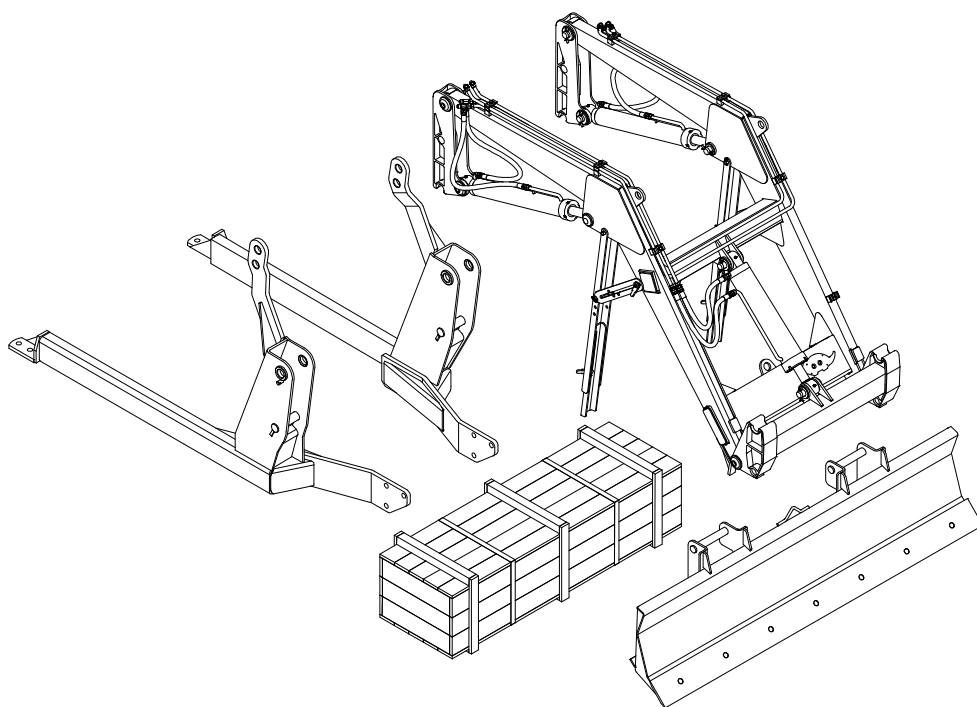


PARTS CATALOG

PCA - AGRICULTURAL FRONT LOADER

PCA 600 BT SC PA TCZF - MF 4283
4290-4

Code: 0501092353



Series: S-0510

Rev.: 00

Date Rev.: OUTUBRO/2018

ORIGINAL PARTS
TATU



PRODUCTS

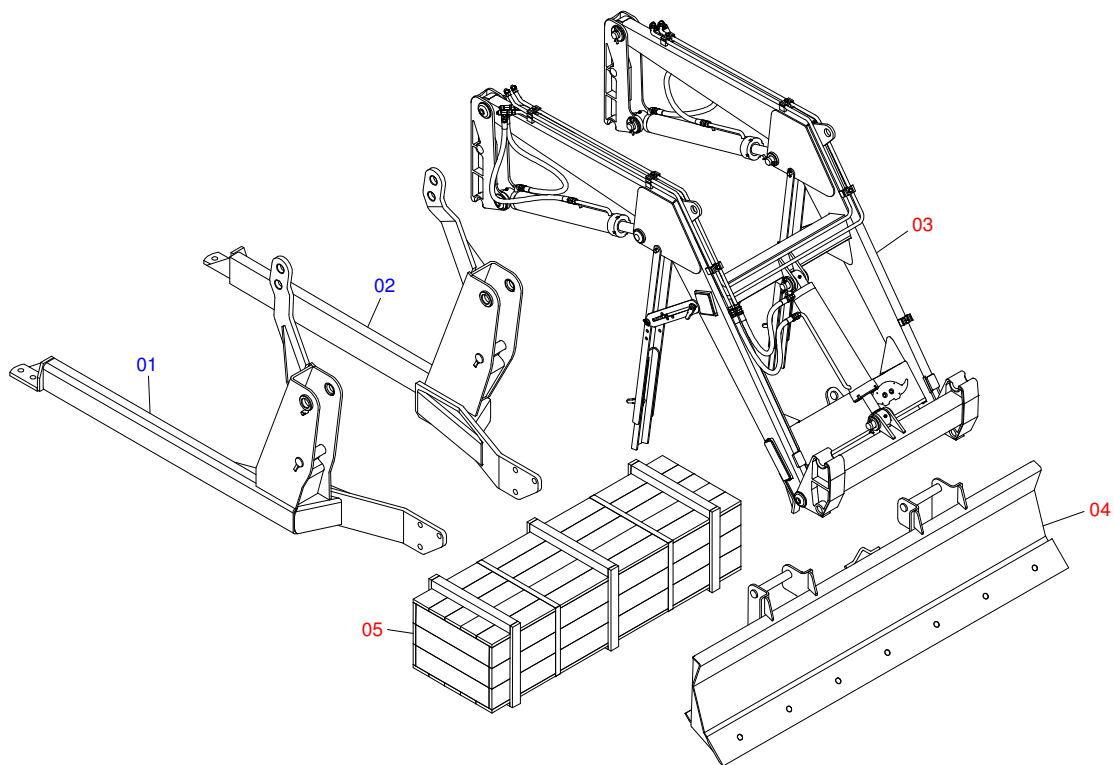
Code	Description
0106111214	PCA 600 BT COMPLETO - MF

ATTENTION: *IMPORTANT*

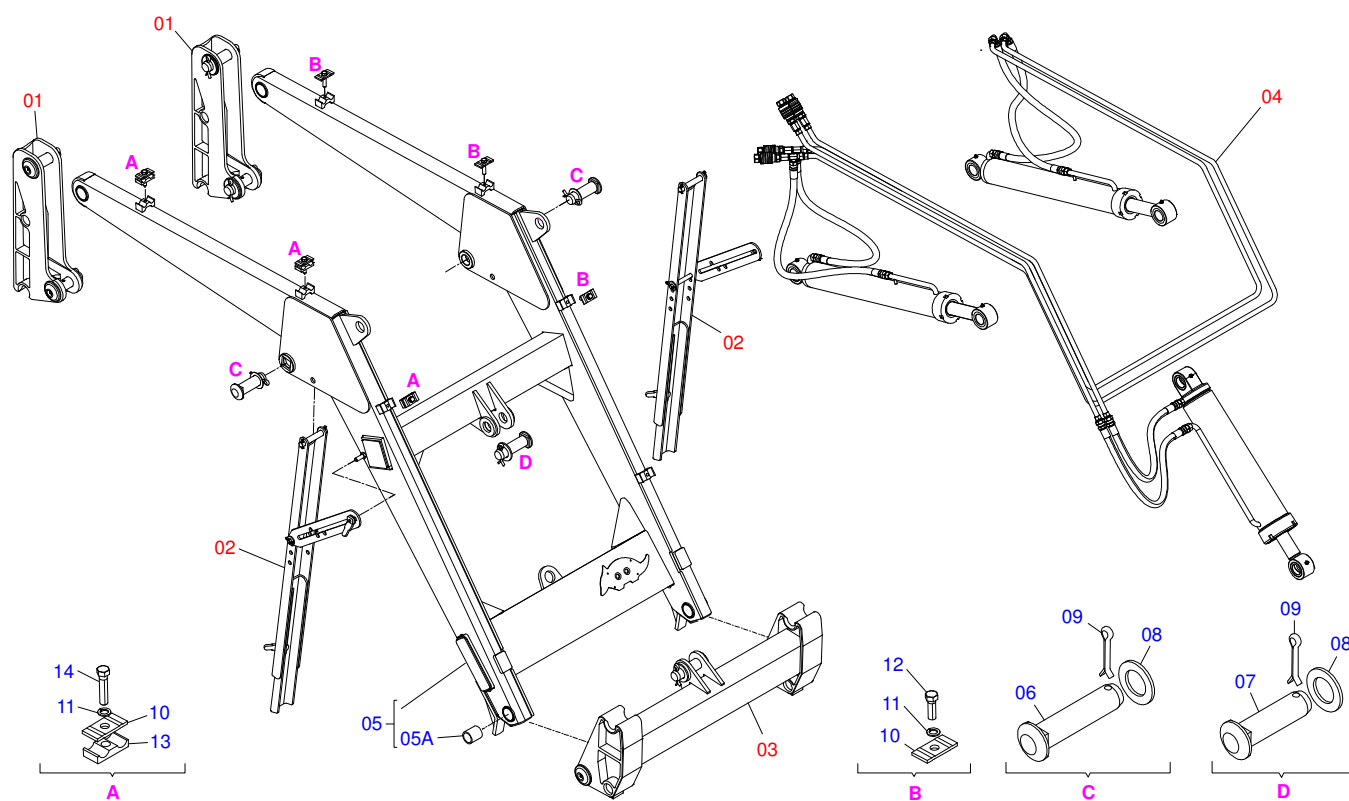
MARCHESAN S/A RESERVES THE RIGHT AT ANY TIME TO MAKE IMPROVEMENTS IN THE DESIGN, MATERIAL OR SPECIFICATIONS OF MACHINERY, EQUIPMENT OR PARTS WITHOUT THEREBY BECOMING LIABLE TO MAKE SIMILAR CHANGES IN MACHINERY, EQUIPMENT OR PARTS PREVIOUSLY SOLD.

INDEX

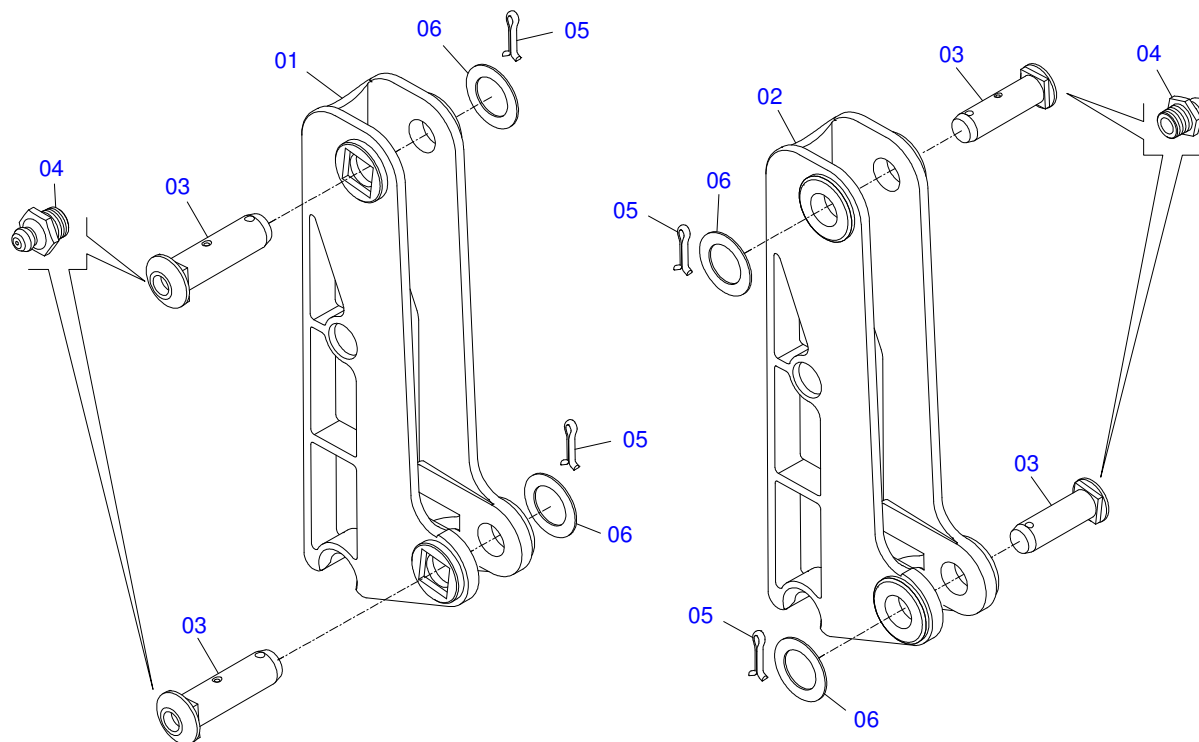
0106111214	FULL PCA 600 BT - MF	1
0511049298	FULL MOVABLE STAND	2
0909094823	MOBILE TOWER AND COMPONENTS - PCA 600	3
0909092667	ADJUSTABLE REST OF MOVABLE SUPPORT	4
0909094826	ARTICULATOR SUPPORT AND COMPONENTS	5
0909094872	HYDRAULIC CIRCUIT OF THE MOBILE HOLDER - PCA 600	6
0521050762	44,45 X 76,20 X 865 X 555 HYDRAULIC CYLINDER	7
0511057915	44,45 X 101,60 X 702 X 738 HIDRAULIC CYLINDER	8
0501053834	MALE QUICK COUPLING AGRICULTURAL WITH COVER - 1/2 NPT	9
0511047849	LDA 2200 WITHOUT SUPPORT	10
0511025594	BOX WITH COMPONENTS	11
0501038032	PACKED PARTS	12



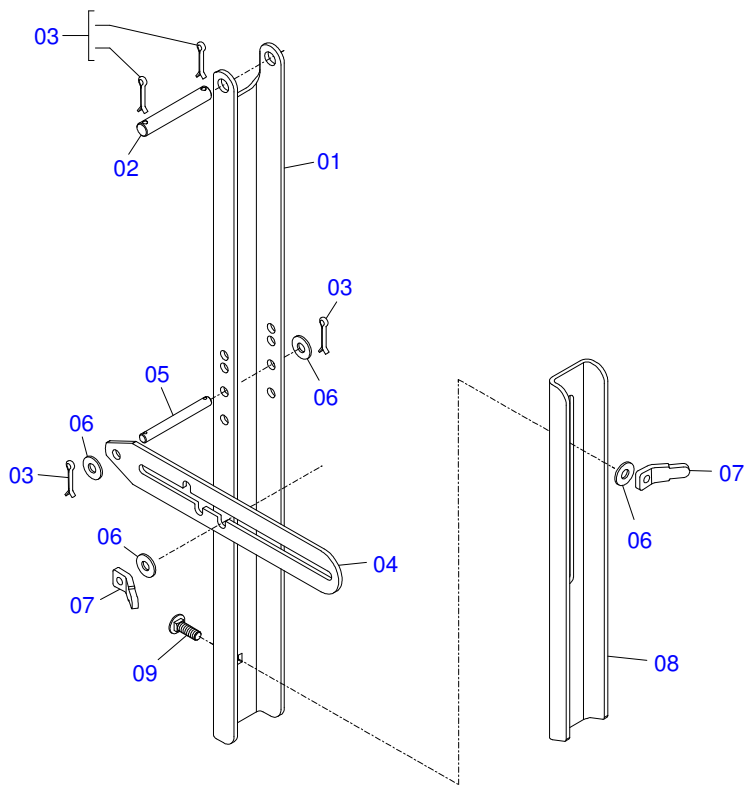
Item	Code	Description	QT
01	0521061689	RIGHT FRAME - MF 4275/4283 BT	01
02	0521061550	LEFT FRAME - PCA SHT MF	01
03	0511049298	FULL MOVABLE STAND	01
04	0511047849	LDA 2200 WITHOUT SUPPORT	01
05	0511025594	BOX WITH COMPONENTS	01



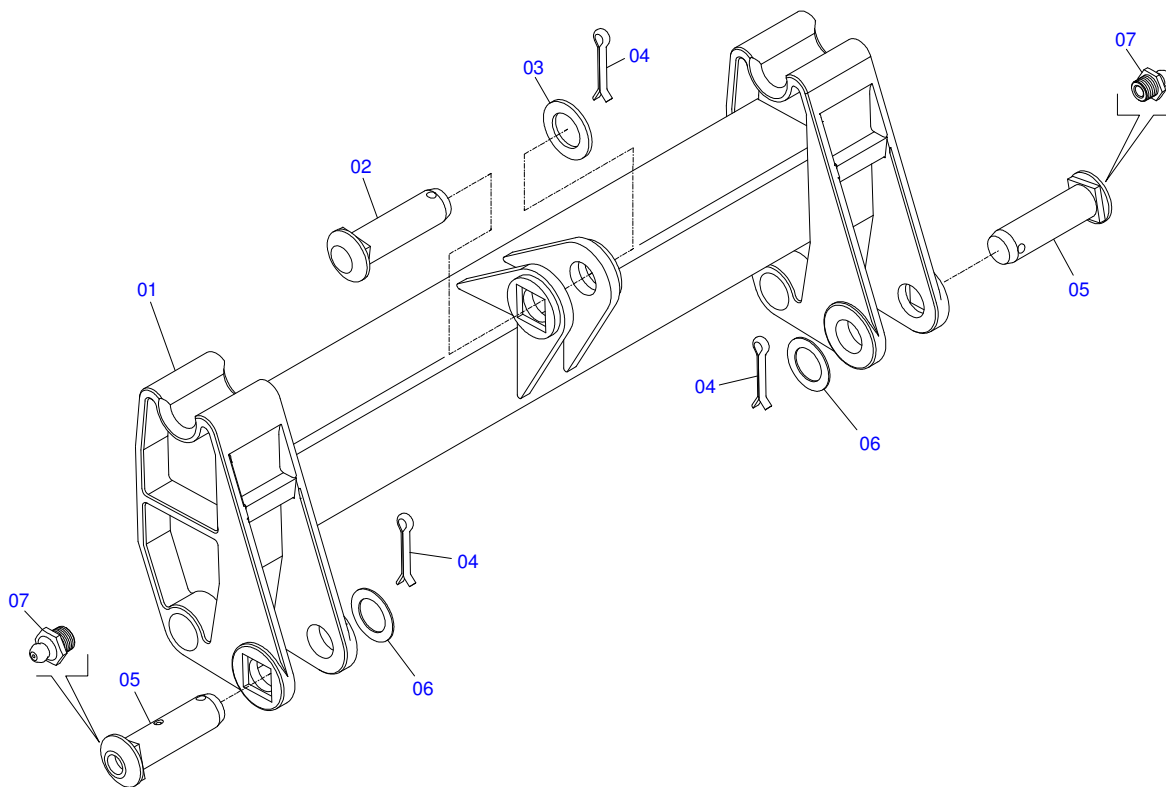
Item	Code	Description	QT
01	0909094279	MOVEL TOWER AND COMPONENTS - PCA 600	02
02	0909092667	ADJUSTABLE REST OF MOVABLE SUPPORT	02
03	0909094309	SUPPORT ARTICULATOR - PCA 600	01
04	0909094310	HYDRAULIC CIRCUIT OF MOBILE SUPPORT - PCA	01
05	0501068663	MOBILE SUPPORT	01
05A	0501110253	BUSHING 37,70 X 55 X 70 PCA	04
06	0511019521	1.5" X 1.4" PIVOT SHAFT	02
07	0521010904	1.5" X 1.4" PIVOT SHAFT	01
08	0511019685	FLAT WASHER	03
09	0503010534	3/8 X 2-1/2 COTTERPIN	03
10	0531011180	UPPER BODY CLIP	06
11	0503010180	7/16" SPRING WASHER	06
12	0503011102	PARAFUSO 7/16 UNC X 1.1/4 C S G.5	03
13	0502010477	UPPER CLIP	03
14	0503012555	7/16" X 2" BOLT	03



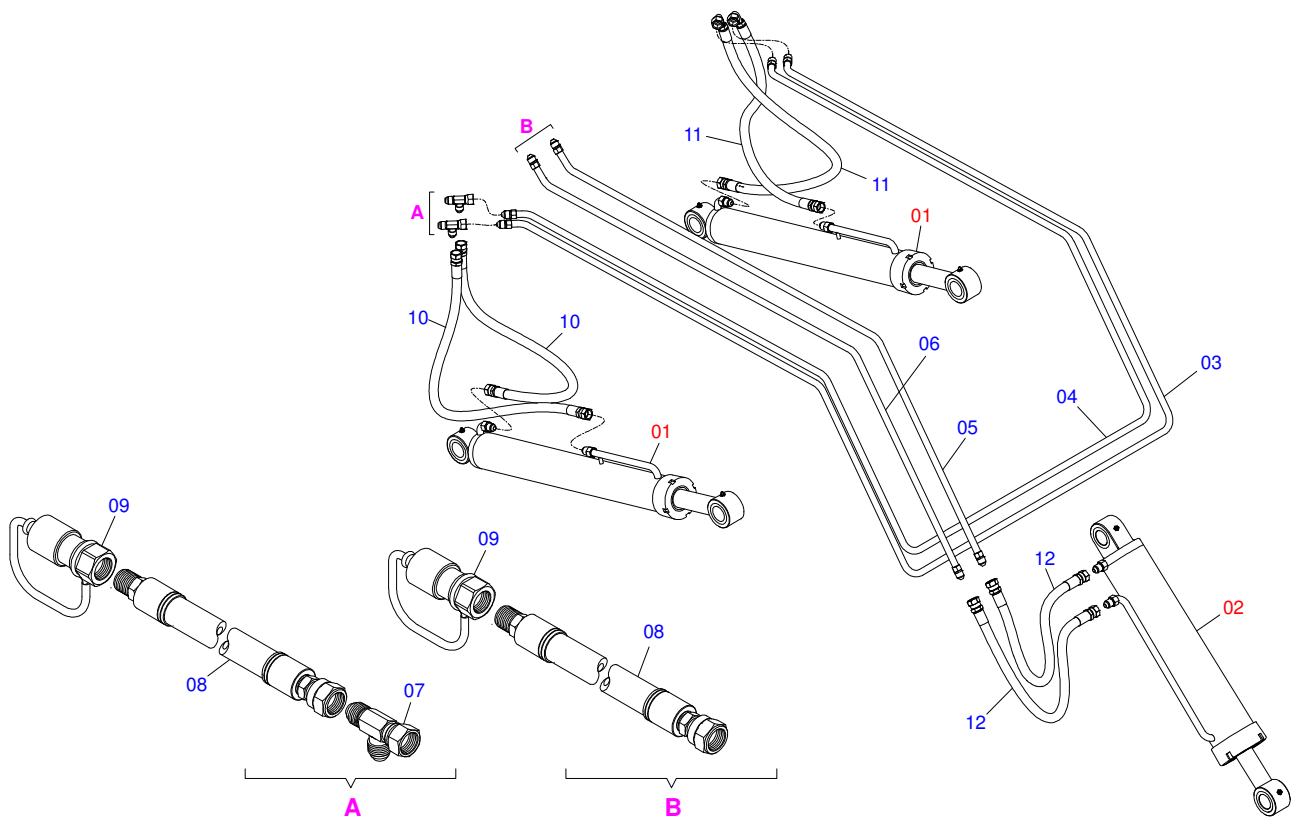
Item	Code	Description	QT
01	0521061673	RIGHT MOBILE TOWER	01
02	0521061674	LEFT MOVEL TOWER	01
03	0511019519	1.5" X 1.4" PIVOT SHAFT	04
04	0503010002	1800 GREASE FITTING	04
05	0503010534	3/8 X 2-1/2 COTTERPIN	04
06	0511819685	FLAT WASHER	04



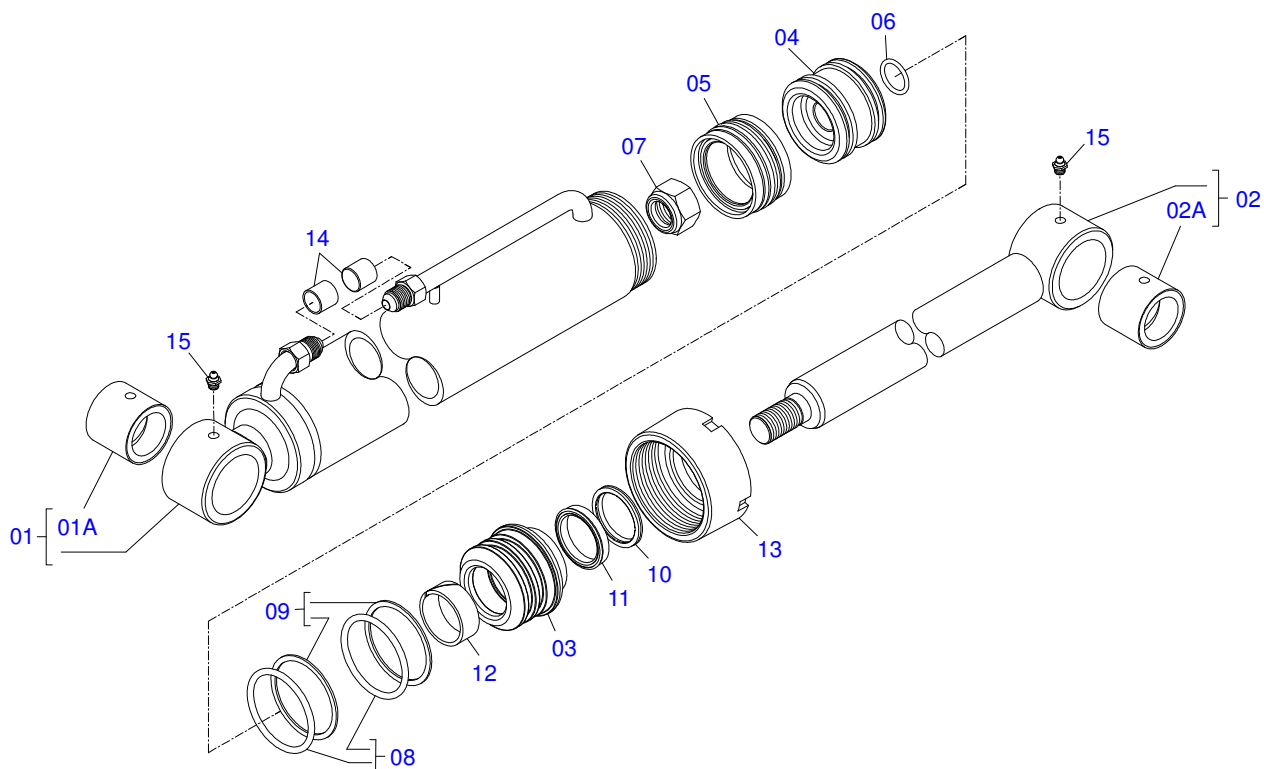
Item	Code	Description	QT
01	0561016401	PLOUGH SUPPORT BODY	02
02	0511013598	3/4" X 4.7" COUPLING SHAFT	02
03	0503010071	3/16" X 1" COTTERPIN	08
04	0511019634	CONTROL LOCK	02
05	0521012823	COUPLING SHAFT	02
06	0511017302	FLAT WASHER	08
07	0561016329	LATCH HOLDER REST PCA	04
08	0561016619	COMPLEMENTON REST	02
09	0503014378	1/2" X 1-1/2" BOLT	02



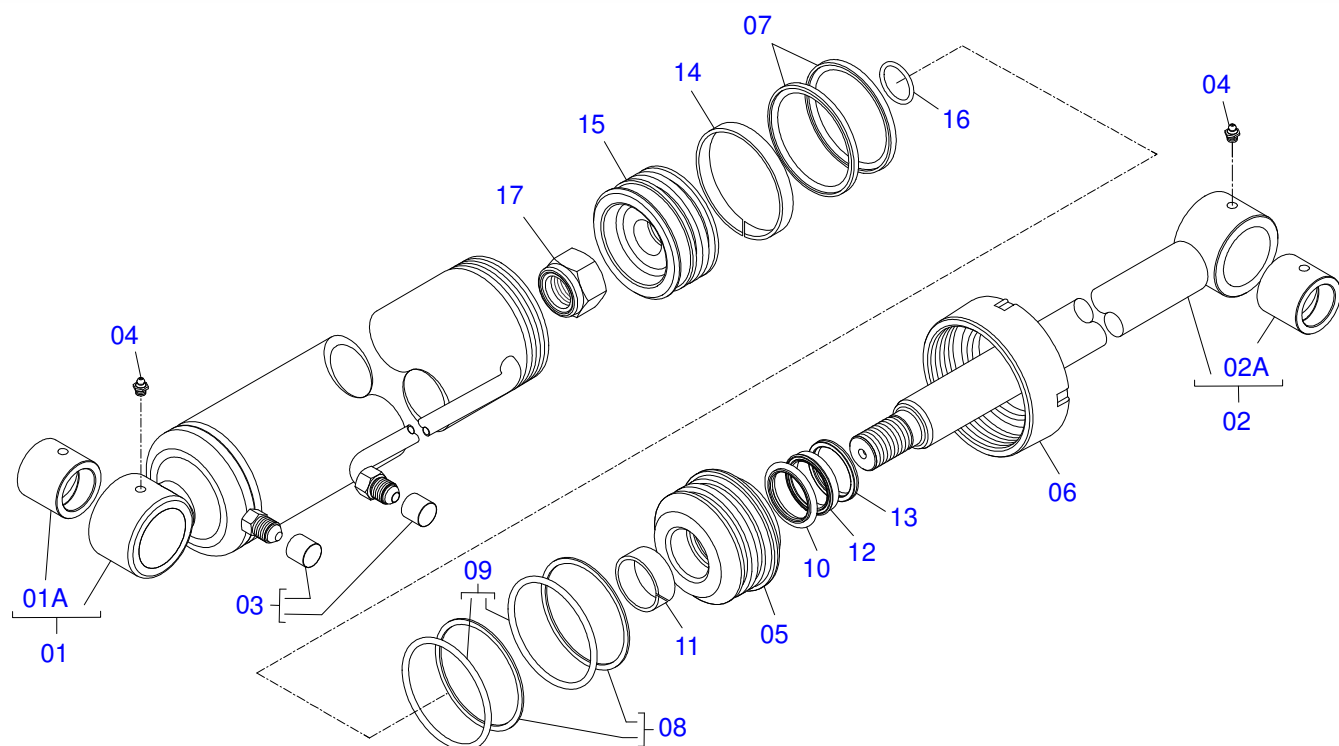
Item	Code	Description	QT
01	0501069934	ARTÍCULOS SOPORTE PCA 600 AX 5.80-4	01
02	0521010904	1.5" X 1.4" PIVOT SHAFT	01
03	0501012916	FLAT WASHER 38,50 X 66 X 4,75 ZN	01
04	0503010534	3/8 X 2-1/2 COTTERPIN	03
05	0511019519	1.5" X 1.4" PIVOT SHAFT	02
06	0511019685	FLAT WASHER	02
07	0503010002	1800 GREASE FITTING	02



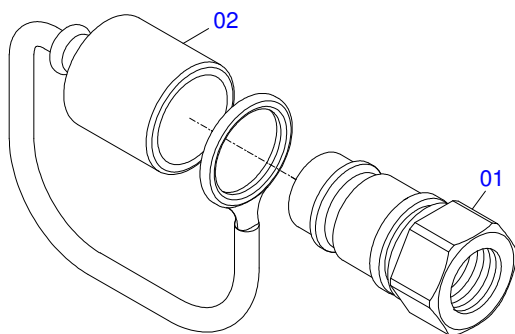
Item	Code	Description	QT
01	0521050762	44,45 X 76,20 X 865 X 555 HYDRAULIC CYLINDER	02
02	0511057915	44,45 X 101,60 X 702 X 738 HIDRAULIC CYLINDER	01
03	0521061695	EXTERNAL OIL DISTRIBUTOR - PCA 4275/4283	01
04	0521061694	INTERNAL OIL DISTRIBUTOR - PCA 4275/4283	01
05	0521061696	INTERNAL TOP OIL DISTRIBUTOR - PCA 4275/4283	01
06	0521062948	UPPER OUTER OIL DISTRIBUTOR	01
07	0503011968	T ADAPTOR WITH GIRAT	02
08	0501081124	HOSE 3/8" X 4200-TM TR	04
09	0501053834	MALE QUICK COUPLING AGRICULTURAL WITH	08
10	0501080105	TR-TR HOSE ASSY	02
11	0501080413	3/8" X 27" TR-TC HOSE ASSY	02
12	0501080635	3/8" X 19" TR-TR HOSE	02



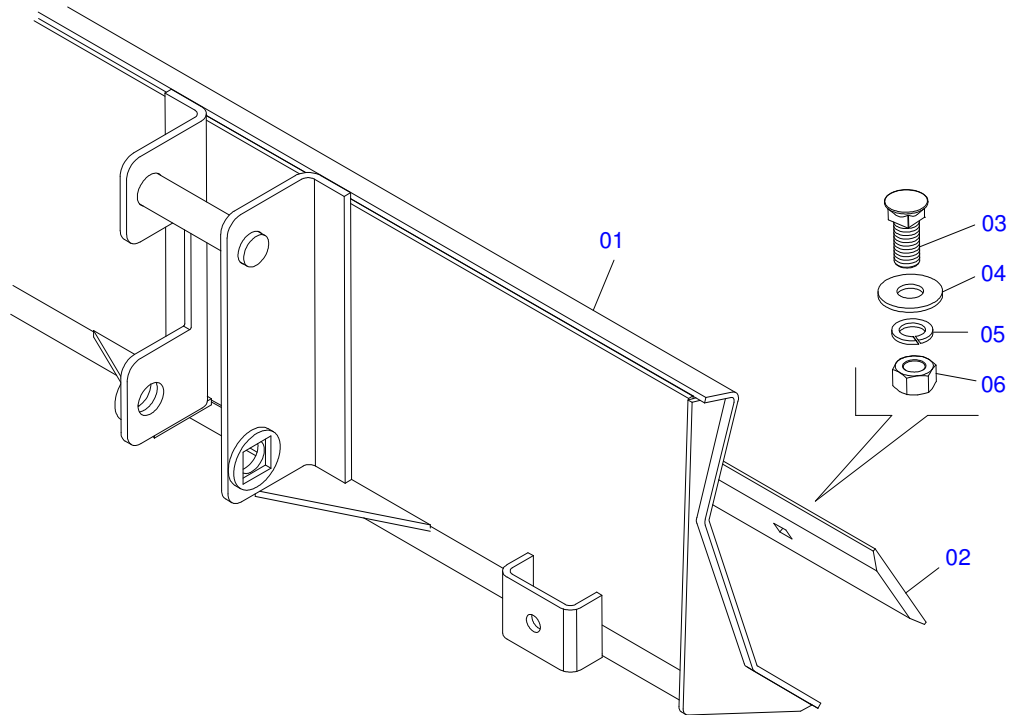
Item	Code	Description	QT
01	0511071163	76,20 X 740 CYLINDER CASE - PCA 600	01
01A	0521010514	38,1 X 52,9 X 50 SLEEVE INTER	01
02	0521066424	AIR TURNBUCKLE	01
02A	0521010514	38,1 X 52,9 X 50 SLEEVE INTER	01
03	0581010301	RING SUPPORT	01
04	0581010304	PISTON	01
05	0503018136	ZW 007600260 AGEL RING	01
06	0503010042	2-214 N 3006-9B O-RING	01
07	0503010063	1" SELF-ALIGNING NUT	01
08	0503010343	2-334 N 3006-9B O-RING	02
09	0503011059	8-334 BACK-UP RING	02
10	0503010761	D-1750 SCRAPER RING	01
11	0503017937	GASKET	01
12	0503017938	RING GUIDE	01
13	0502011899	MOBILE COVER	01
14	0503030385	PLUG	02
15	0503010002	1800 GREASE FITTING	02



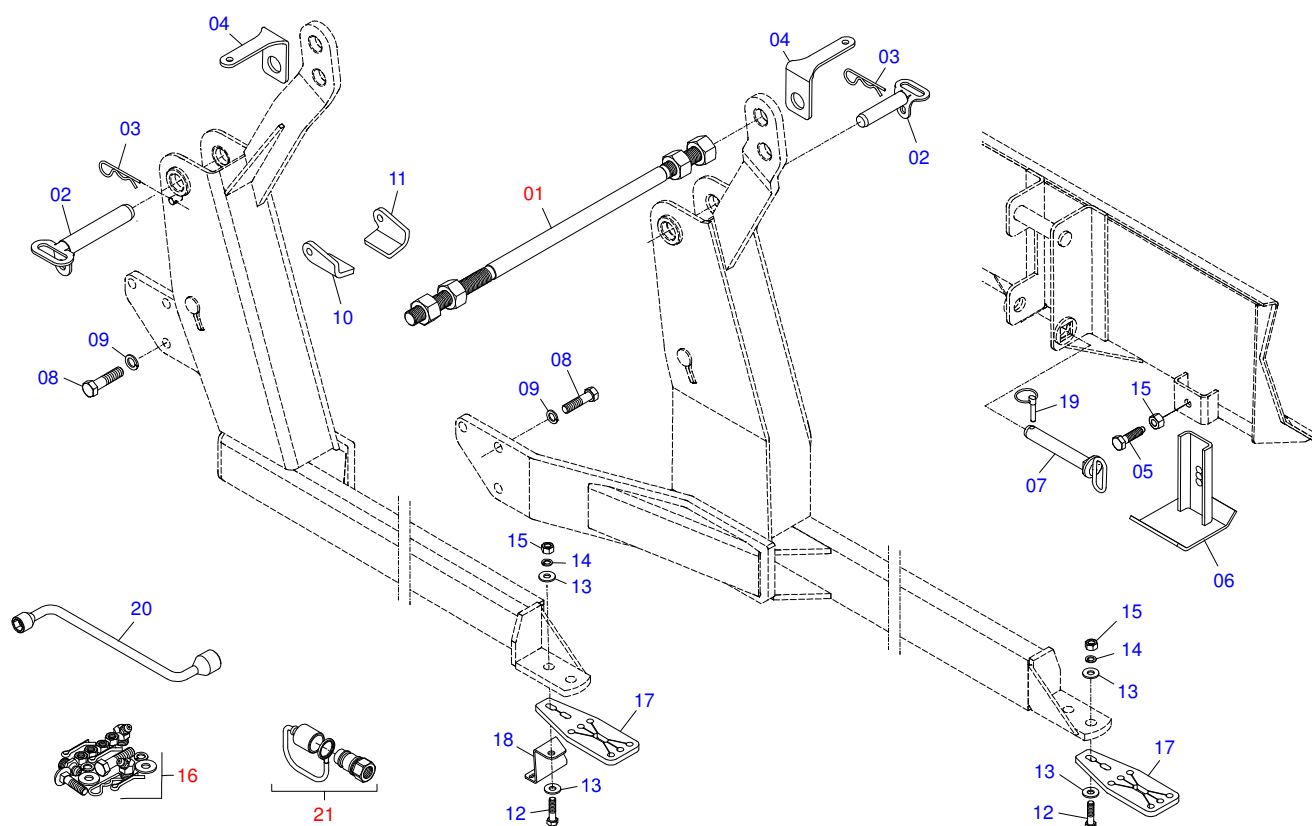
Item	Code	Description	QT
01	0511066339	101,6 X 548 CYLINDER CASE - PCA 600	01
01A	0521010514	38,1 X 52,9 X 50 SLEEVE INTER	01
02	0521066430	44,45 X 630 EXTENDER - PCA 600	01
02A	0521010514	38,1 X 52,9 X 50 SLEEVE INTER	01
03	0503030385	PLUG	02
04	0503010002	1800 GREASE FITTING	02
05	0581010302	RING OF SUPPORT	01
06	0502012822	101,60 MOBILE COVER	01
07	0503018158	OE 101605200211D-BR RING BS	02
08	0503011061	8-342 BACK-UP RING	02
09	0503010338	2-342 N 3006-9B O'RING	02
10	0503017936	RING	01
11	0503017938	RING GUIDE	01
12	0503017937	GASKET	01
13	0503010761	D-1750 SCRAPER RING	01
14	0503010994	W2-4000-500 PK RING G.E	01
15	0581010303	PISTON 4 - PCA 600	01
16	0503018029	2-217 O'RING	01
17	0503010817	1-1/4" SELF-ADJUSTING NUT	01



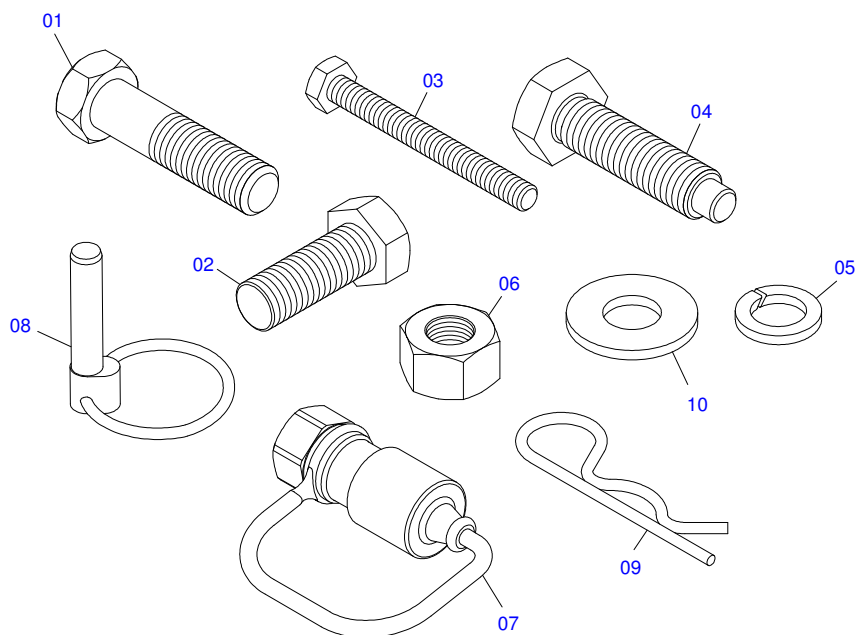
Item	Code	Description	QT
01	0503011627	QUICK CONNECTION (MALE) AGR 1/2 NPT	01
02	0503011882	QUICK CONNECTION COVER	01



Item	Code	Description	QT
01	0511064165	BLADE FRONT	01
02	0531019518	SCRAPER 2220 X 6 X 1/2	01
03	0501012239	5/8" X 1.3/4" BOLT	07
04	0571010265	FLAT WASHER	07
05	0503011445	SPRING WASHER	07
06	0503010013	5/8" NUT	07



Item	Code	Description	QT
01	0501041849	FULL 1.1/4" NC X 910 ROD	01
02	0521061682	AXLE FIXER	02
03	0503030012	HAIR PIN	02
04	0561010051	HEADLIGHT SUPPORT - PCA MF 291/4 ADV 2008	02
05	0501018246	3/4" X 3" BOLT	02
06	0511064780	SHOE SLIDE LIGHT STABILIZING	02
07	0521063680	HITCH PIN (185) SAB PCA800	02
08	0501010098	HEX BOLT 3/4 UNC X 2 C S G.5 ZN	06
09	0503010023	SPRING WASHER	06
10	0561016542	LEFT SCOUT	01
11	0561016541	RIGHT SCOUT	01
12	0501010500	3/4"X3"BOLT	04
13	0501010322	FLAT WASHER	08
14	0503010023	SPRING WASHER	04
15	0503010014	3/4" NUT	04
16	0501038032	PACKED PARTS	01
17	0561016408	FRAME BRACKET	01
18	0561016418	SUPPORT TANK OIL	01
19	0503030430	7/16 X 2" PIN LOCK	02
20	0501068213	5/8" WRENCH DOUBLE	01
21	0501053834	MALE QUICK COUPLING AGRICULTURAL WITH	04



Item	Code	Description	QT
01	0501010500	3/4"X3"BOLT	04
02	0501010098	HEX BOLT 3/4 UNC X 2 C S G.5 ZN	06
03	0503013793	M10 X 1,5 X 95 BOLT	02
04	0501018246	3/4" X 3" BOLT	02
05	0503010023	SPRING WASHER	10
06	0503010014	3/4" NUT	04
07	0501053834	MALE QUICK COUPLING AGRICULTURAL WITH	04
08	0503030430	7/16 X 2" PIN LOCK	02
09	0503030012	HAIR PIN	02
10	0501010322	FLAT WASHER	12



MARCHESAN IMPLEMENTOS E MÁQUINAS AGRÍCOLAS TATU S.A.

AV. Marchesan, 1979 - Post office box, 131 - CEP 15994-900 - Matão - SP - Brazil

Phone +55 16.3382-8282

(FAX Parts) + 55 16.3382. 8297 - (Export) + 55 16.3382.1003

e.mail: tatu@marchesan.com.br www.marchesan.com.br

Technical Publications: Elaboration

JOÃO VIRGINIO ROCHA

Technical Publications: Revision

ALESSANDRA PATRICIA KAWAHARA CARRILI

Contact Catálogo:

E-mail = jgaspari@marchesan.com.br

**ORIGINAL PARTS
TATU**

