

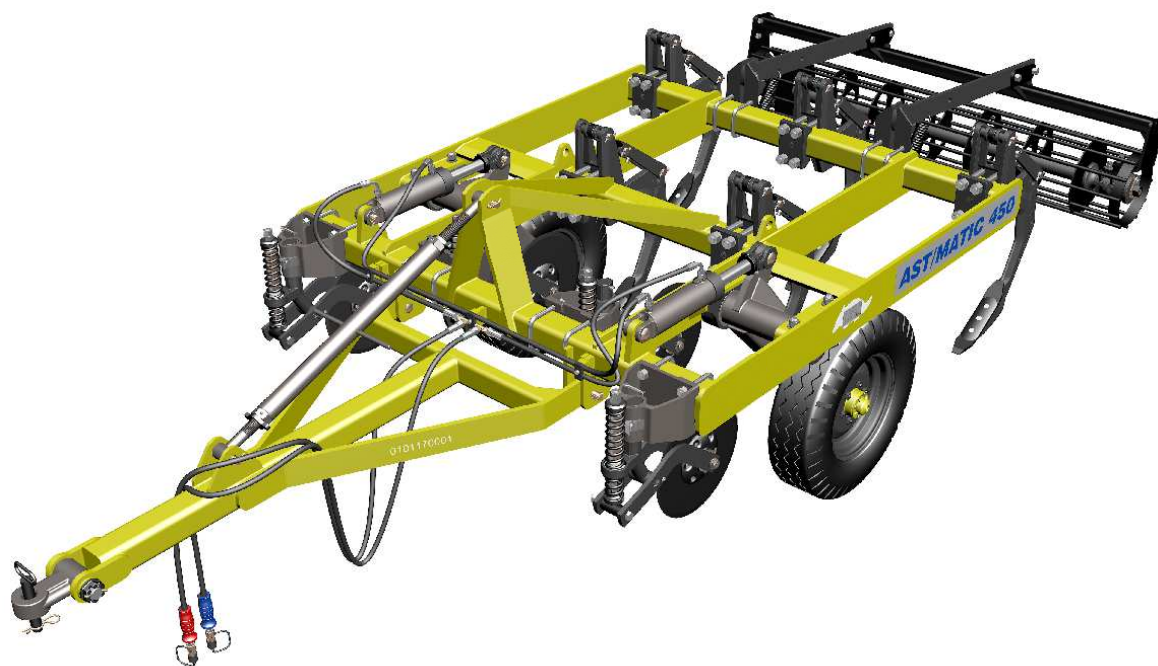
SUBSOILER PLOW

Code:

0501092342

Product:

AST/MATIC 450 - 05/07/09/11 STEM DC RD

**Series:**

S-0496

Revision:

00

Date Revision:

SETEMBRO/2018



PRODUCTS

Code	Description
0101170123	AST/MATIC 450 9/4H DC RD S-0496
0101170004	AST/MATIC 450 11H S-0496
0101170016	AST/MATIC 450 11H DC S-0496
0101170008	AST/MATIC 450 11H DC RD S-0496
0101170109	AST/MATIC 450 11H DC RD P5/8 S0496
0101170109C	AST/MATIC 450 11H DC RD P5/8 S-0496 EXP
0101170012	AST/MATIC 450 11H RD S-0496
0101170001	AST/MATIC 450 5H S-0496
0101170013	AST/MATIC 450 5H DC S-0496
0101170005	AST/MATIC 450 5H DC RD S-0496
0101170106C	AST/MATIC 450 5H DC RD P5/8 S-0496 EXP
0101170103	AST/MATIC 450 5H P5/8 S-0496
0101170009	AST/MATIC 450 5H RD S-0496
0101170104	AST/MATIC 450 5H RD P5/8 S-0496
0101170153	AST/MATIC 450 7/5H DC RD S-0496
0101170002	AST/MATIC 450 7H S-0496
0101170014	AST/MATIC 450 7H DC S-0496
0101170006C	AST/MATIC 450 7H DC RD EXT S-0496
0101170006	AST/MATIC 450 7H DC RD S-0496
0101170107	AST/MATIC 450 7H DC RD P5/8 S-0496
0101170107C	AST/MATIC 450 7H DC RD P5/8 S-0496 EXP
0101170010	AST/MATIC 450 7H RD S-0496
0101170003	AST/MATIC 450 9H S-0496
0101170015	AST/MATIC 450 9H DC S-0496
0101170007	AST/MATIC 450 9H DC RD S-0496
0101170108	AST/MATIC 450 9H DC RD P5/8 S-0496
0101170108C	AST/MATIC 450 9H DC RD P5/8 S-0496 EXP
0101170011	AST/MATIC 450 9H RD S-0496

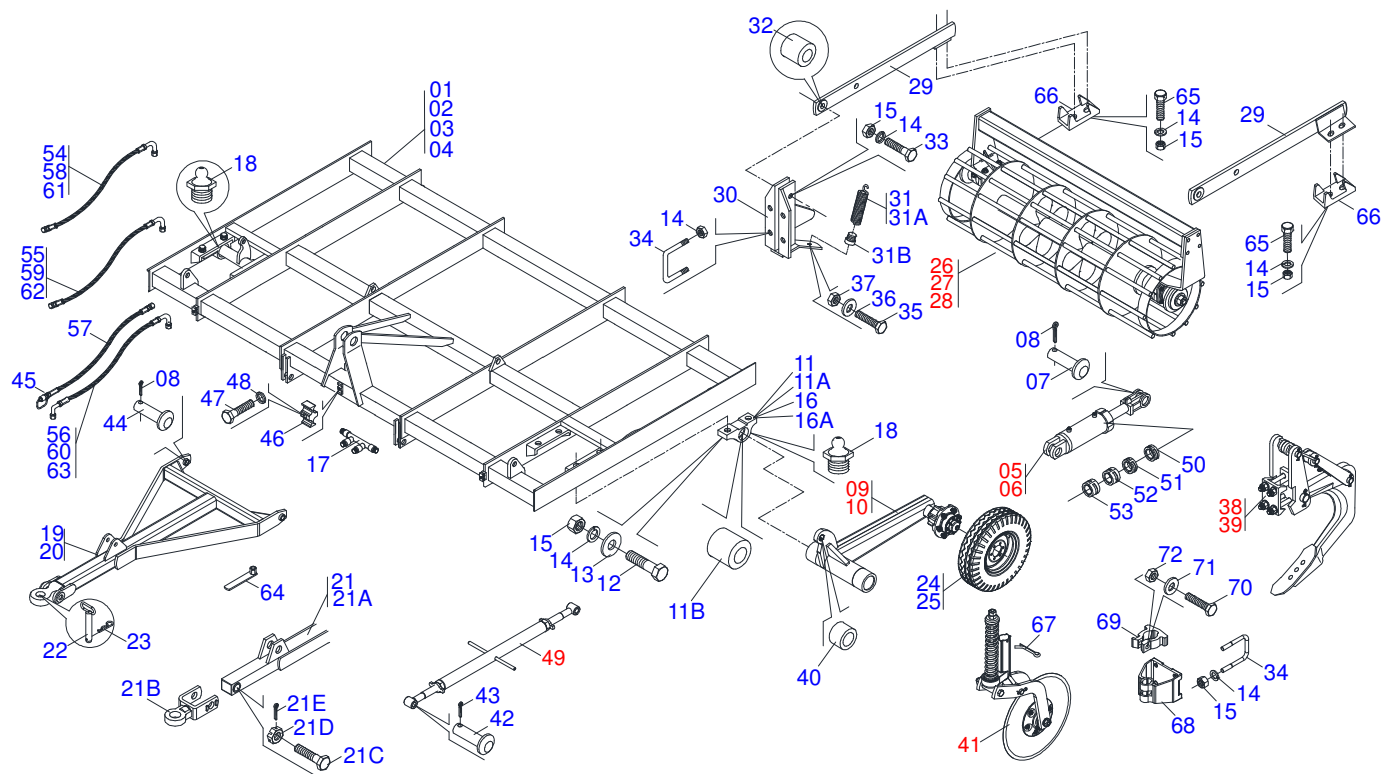
ATTENTION: IMPORTANT

Marchesan S.A. reserves the right to improve and / or modify the technical features of its products, without obligation to do the same with those products already sold and without prior knowledge of the dealer or the consumer.



INDEX

0909092067	FRAME 05/07/09/11 H	1
0521045637	HYDRAULIC CYLINDER	2
0521045636	HYDRAULIC CYLINDER	3
0501051007	RIGHT CARRYING-WHEELS	4
0501051008	LEFT CARRYING-WHEELS	5
0503060091	L29.5"X0.63"-10L WHEEL AND	6
0503062010	750 X 16-12L ASSY WHEEL AND TIRE	7
0501055243	ARM ROLLE ASSY	8
0501055244	BOX BREAK ROLLER	9
0501055245	BREAK ROLLER ASSY	10
0501046935	SHANKS SYSTEM ASSY AST/MATIC 450	11
0511043789	SHANKS SYSTEM ASSY	12
0501053706	SUPPORT WITH BLADE DISC	13
0501047356	ESTABILIZER ASSY	14
0909092082	HYDRAULIC CIRCUIT	15

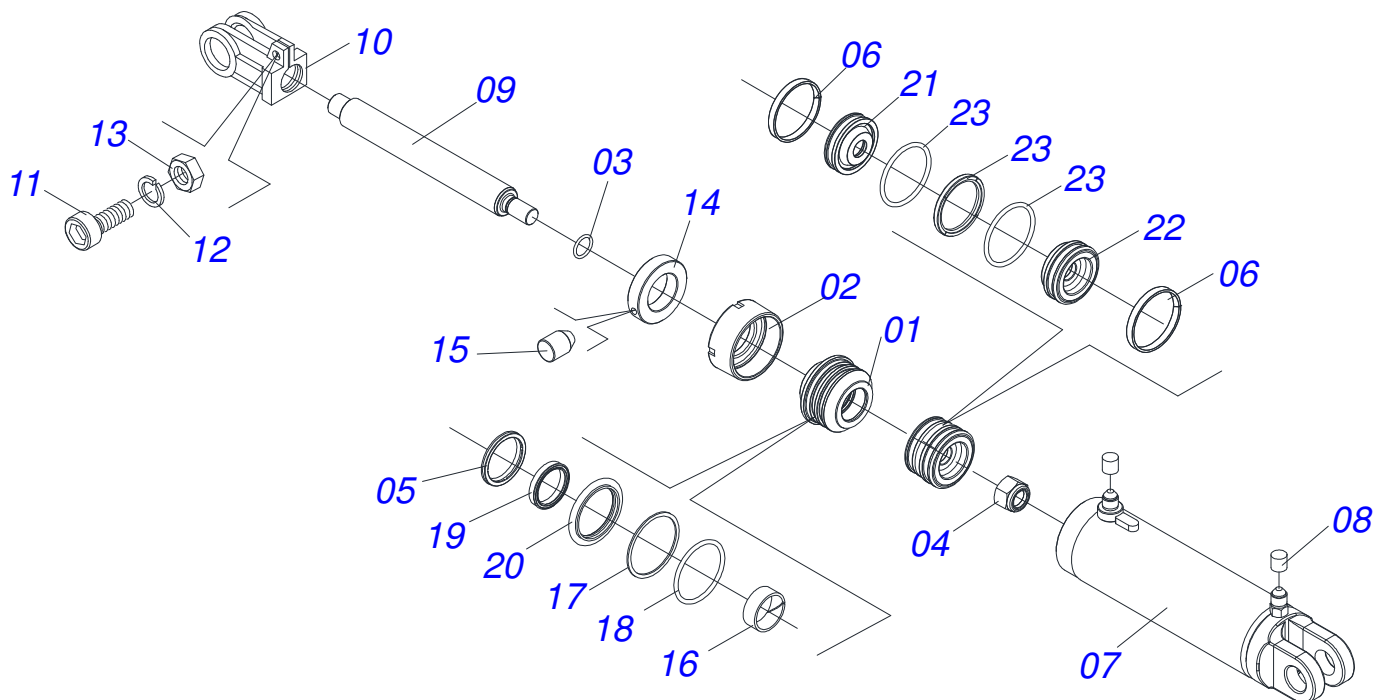


Item	Code	Description	See page	05	07	09	11
01	0501067778	AST/MATIC 5 FRAME		01	00	00	00
02	0501067779	AST/MATIC 7 FRAME		00	01	00	00
03	0501067780	AST/MATIC 9 FRAME		00	00	01	00
04	0501067781	AST/MATIC 11 FRAME		00	00	00	01
05	0521045637	HYDRAULIC CYLINDER	2	01	01	01	01
06	0521045636	HYDRAULIC CYLINDER	3	01	01	01	01
07	0521012538	1.2" X 3.5" COUPLING SHAFT		04	04	04	04
08	0503010523	1/4" X 2" COTTERPIN		08	08	08	08
09	0501051007	RIGHT CARRYING-WHEELS	4	01	01	01	01
10	0501051008	LEFT CARRYING-WHEELS	5	01	01	01	01
11	0501110563	MANCAL ARTICULAÇÃO ESQUERDA C/LUVA		02	02	02	02
11A	0502012273	PIVOT BEARING		04	04	04	04
11B	0551018339	SLEEVE NYLON 114,40 X 140 X 76		04	04	04	04
12	0503010901	3/4UNC 3.1/2 BOLT		08	08	08	08
13	0501010322	FLAT WASHER		08	08	08	08
14	0503011442	3/4" SPRING WASHER		34	40	40	40
15	0503010014	3/4" NUT		34	40	40	40
16	0501110568	MANCAL ARTICULAÇÃO DIREITA C/LUVA		02	02	02	02
16A	0502012509	RIGHT PIVOT BEARING		02	02	02	02
17	0501068088	OIL TUBE		01	01	01	01
18	0503010002	1800 GREASE FITTING		04	04	04	04
19	0521065003	HEADER S/ HITCH		01	01	01	00
20	0501069655	DRAWBAR		00	00	00	01
21	0501048294	DRAWBAR ASSY		00	00	00	01
21A	0501069685	DRAWBAR		00	00	00	01
21B	0501069684	TRACTOR HITCH		00	00	00	01
21C	0501017291	1-1/2" X 8.1" BOLT		00	00	00	01
21D	0501011301	1.1/2 UNC 6FPP 2.5/16 NUT		00	00	00	01
21E	0503010010	1/4" X 2.1/2" COTTERPIN		00	00	00	01
22	0501069080	COUPLING SHAFT		01	01	01	01
23	0503031035	HAIR PIN		01	01	01	01



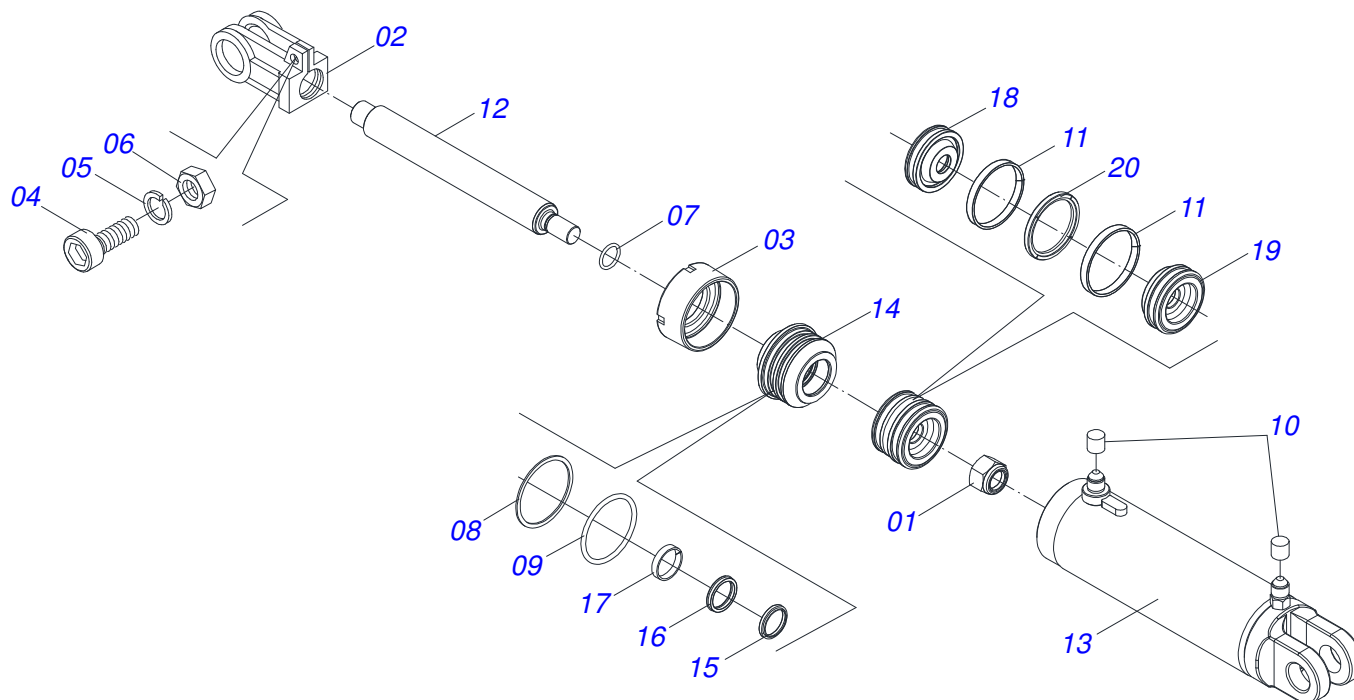
Item	Code	Description	See page	05	07	09	11
24	0503060091	L29.5"X0.63"-10L WHEEL AND	6	02	00	00	00
25	0503062010	750 X 16-12L ASSY WHEEL AND TIRE	7	00	02	02	02
26	0501055243	ARM ROLLE ASSY	8	01	00	00	02
27	0501055244	BOX BREAK ROLLER	9	00	02	00	00
28	0501055245	BREAK ROLLER ASSY	10	00	00	02	00
29	0511065378	BREAK ROLLER ARM		02	02	02	02
30	0501068437	BREAK ROLLER SUPPORT FIXATION		02	02	02	02
31	0501053355	HITCH TRACTION SPRING		02	02	02	02
31A	0503030806	2.3" X 8" X 0.3" TRACTION SPRING		02	02	02	02
31B	0502011060	SUPPORT SPRING		02	02	02	02
32	0511018178	BUSHING		02	02	02	02
33	0501010827	3/4" X 2-3/4" BOLT		02	02	02	02
34	0521014574	3/4" FASTENE		14	14	14	14
35	0503011264	1/2" X 2-1/2" BOLT		02	02	02	02
36	0511017302	FLAT WASHER		02	02	02	02
37	0503010060	1/2" NUT		02	02	02	02
38	0501046935	SHANKS SYSTEM ASSY AST/MATIC 450	11	00	07	00	00
39	0511043789	SHANKS SYSTEM ASSY	12	05	07	09	11
40	0511019920	LUVA 32,7 X 38,8 X 25,40		02	02	02	02
41	0501053706	SUPPORT WITH BLADE DISC	13	05	07	09	11
42	0521010579	COUPLING SHAFT		02	02	02	02
43	0503010571	1/4" X 1.1/2 COTTERPIN		08	08	08	08
44	0521010596	COUPLING SHAFT		02	02	02	02
45	0501053834	MALE QUICK COUPLER WITH CAP - 1/2 NPT		02	02	02	02
46	0502012702	BODY SUPPORT CLAMP		03	03	03	03
47	0503010751	C3/8" X 1.1/4" HEX BOLT G.5		03	03	03	03
48	0503010025	3/8" SPRING WASHER		03	03	03	03
49	0501047356	ESTABILIZER ASSY	14	01	01	01	01
50	0501047895	ROD STOP		01	01	01	01
51	0501047885	ROD STOP		01	01	01	01
52	0501047886	ROD STOP		01	01	01	01
53	0501047887	ROD STOP		01	01	01	01
54	0501080386	HOSE 3/8 X 1050 TR-TC		01	00	00	00
55	0501080302	TR-TC HOSE ASSY		01	00	00	00
56	0501080370	TC-TC HOSE ASSY		01	00	00	00
57	0501080384	TR-TM HOSE ASSY		01	01	01	01
58	0501080025	TR-TC HOSE ASSY		00	01	00	01
59	0501080402	HOSE 3/8 X 1700 TR-TC		00	01	00	01
60	0501080479	TC-TC HOSE ASSY		00	01	00	01
61	0501080431	TR-TC HOSE ASSY		00	00	01	00
62	0501080419	TR-TC HOSE ASSY		00	00	01	00
63	0501080578	TC-TC HOSE ASSY		00	00	01	00
64	0501061617	1" GANG BOLT WRENCH		01	01	01	01
65	0501010216	3/4" X 4-1/2" BOLT		04	04	04	04
66	0502011170	FIXER		02	04	04	04
67	0503010534	3/8 X 2-1/2 COTTERPIN		05	07	09	11
68	0502012026	BLADE DISC FIXER SUPPORT		05	07	09	11
69	0502012024	FIXER SUPPORT BUSHING		05	07	09	11
70	0503013184	5/8" X 2-3/4" BOLT G.8		05	07	09	11
71	0501011299	FLAT WASHER		05	07	09	11
72	0503010129	5/8" NUT		05	07	09	11

HYDRAULIC CYLINDER

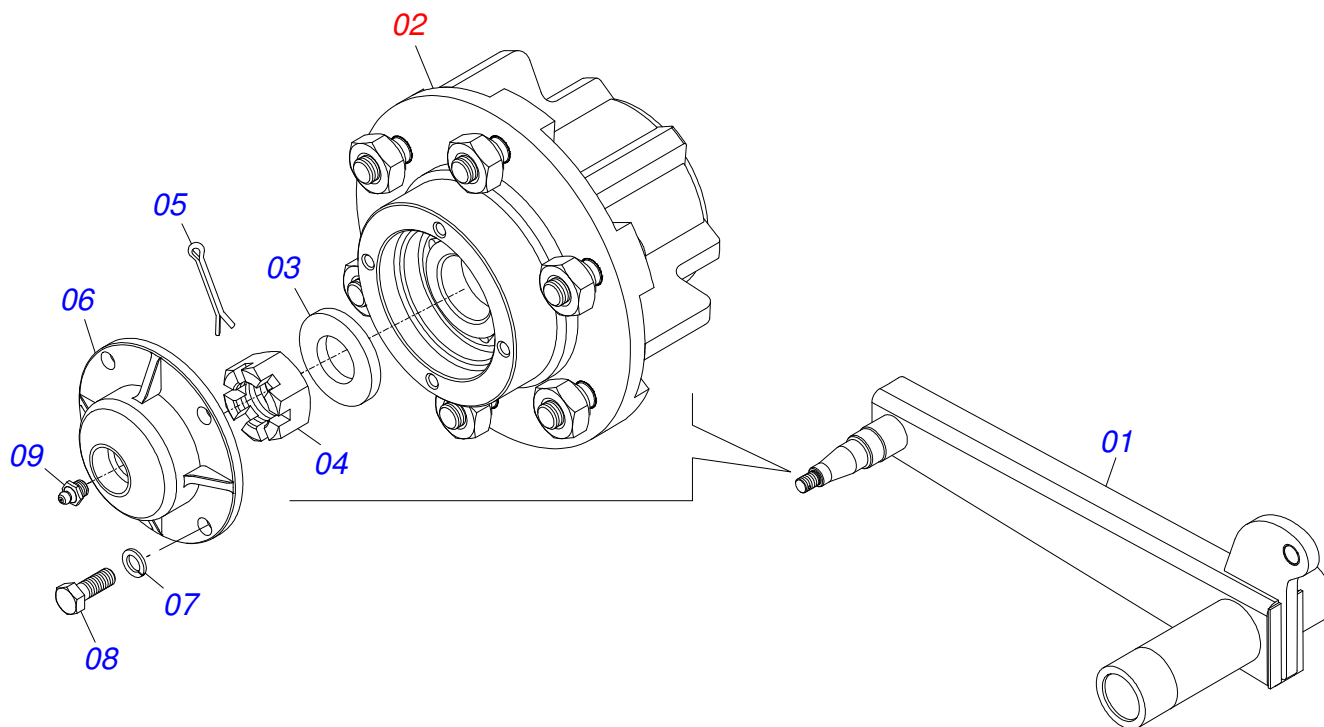


Item	Code	Description	See page	QT
001	0571019711	RING SUPPORT		01
002	0571019709	DETACHABLE COVER		01
003	0503010042	2-214 N 3006-9B O'RING		01
004	0503010063	1" SELF-ALIGNING NUT		01
005	0503010761	D-1750 SCRAPER RING		01
006	0503017883	RING GUIDE		02
007	0521066592	CYLINDER CASE		01
008	0503030385	CYLINDER PLUG N-002		02
009	0521010421	HYDRAULIC CYLINDER TURNBUCKLE		01
010	0502040747	32.54 CLEVIS CLAMP		01
011	0503011094	3/8" X 2" BOLT		01
012	0503010025	3/8" SPRING WASHER		01
013	0503010026	3/8" NUT		01
014	0511018115	1.8" X 0.1" 0.7" BUSHING		01
015	0503011148	3/8" X 1/2" BOLT		01
016	0503017938	RING GUIDE		01
017	0503017940	8-337 BACK-UP RING		02
018	0503017939	2-337 N 3006-9B O' RING		02
019	0503017937	GASKET		01
020	0503017936	RING		01
021	0581012598	PISTON		01
022	0581012597	PISTON		01
023	0503018650	SEALING		01

HYDRAULIC CYLINDER

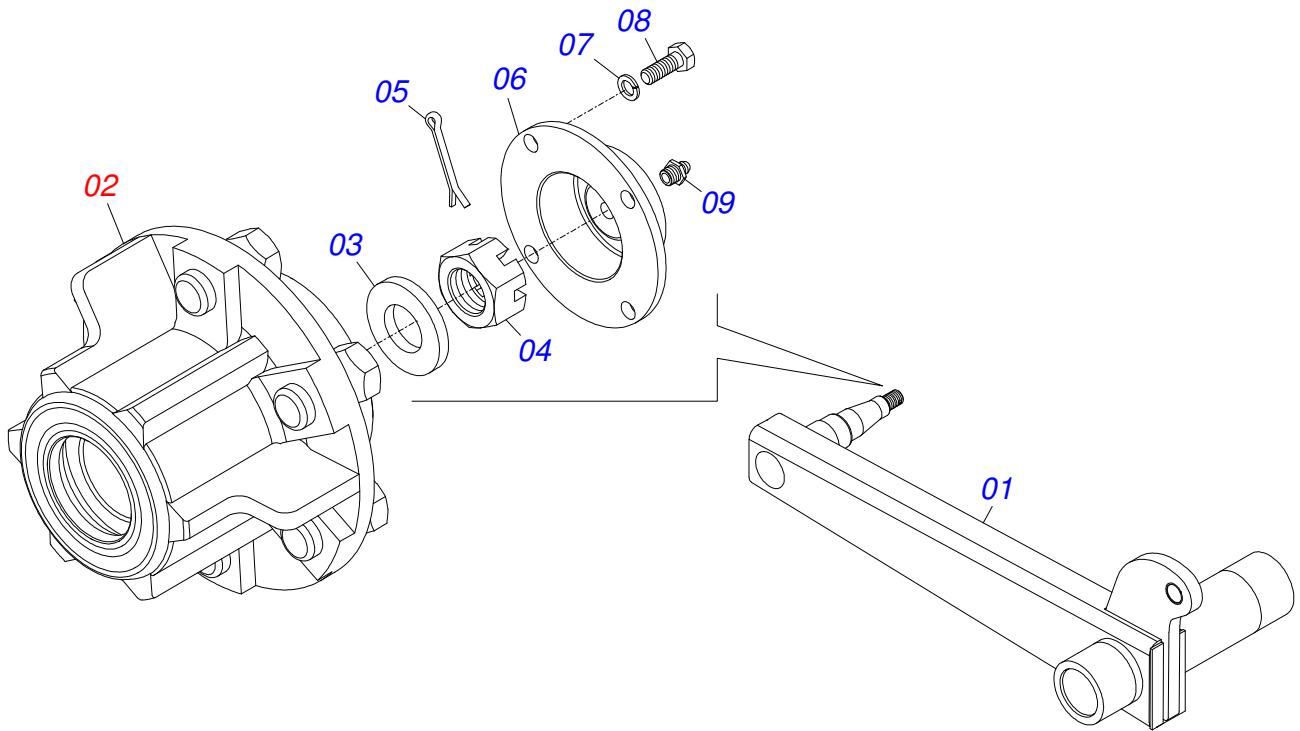


Item	Code	Description	See page	QT
001	0503010817	1.1/4" SELF LOCKING NUT		01
002	0502040747	32.54 CLEVIS CLAMP		01
003	0502010017	4" HEAD		01
004	0503011094	3/8" X 2" BOLT		01
005	0503011443	3/8" SPRING WASHER		01
006	0503010026	3/8" NUT		01
007	0503010345	2-218 N 3006-9B O'RING		01
008	0503010338	2-342 N 3006-9B O'RING		01
009	0503011061	8-342 BACK-UP RING		01
010	0503030385	CYLINDER PLUG N-002		02
011	0503017889	RING GUIDE		02
012	0531018245	EXTENDING BODY		01
013	0521066149	CYLINDER CASE		01
014	0502011250	RING OF SUPPORT		01
015	0503015715	SCRAPER SEALING		01
016	0503015642	U-CUP SEALING		01
017	0503010973	W2-2500-500 PK O'RING G.E		01
018	0581012601	PISTON		01
019	0581012602	PISTON		01
020	0503018651	SEALING		01

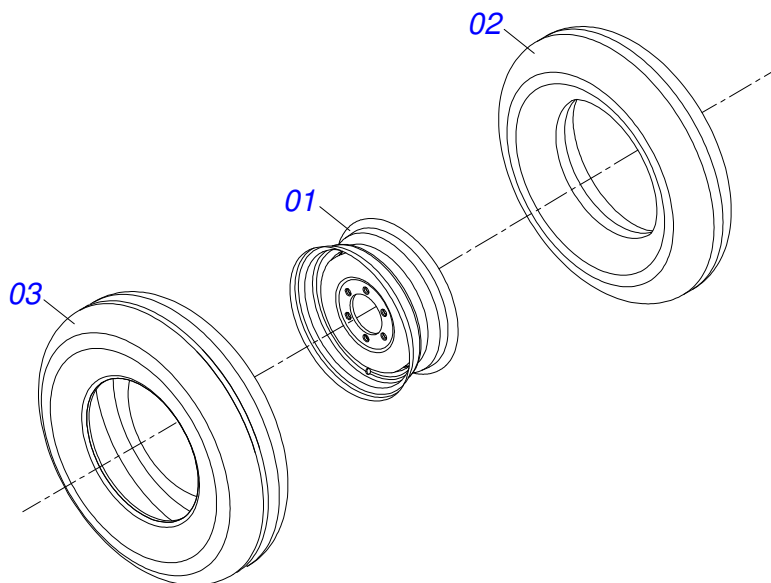


Item	Code	Description	See page	QT
01	0501068416	RIGHT CARRYING-WHEELS		01
02	0501051142	CARRYING WHEEL HUB		01
03	0501016545	FLAT WASHER		01
04	0503030009	1" CASTLE NUT		01
05	0503010018	5/32 X 1-1/2 COTTERPIN		01
06	0502020591	PROTECCION COVER		01
07	0503011444	SPRING WASHER		04
08	0503010358	5/16" X 5/8" BOLT		04
09	0503010002	1800 GREASE FITTING		01

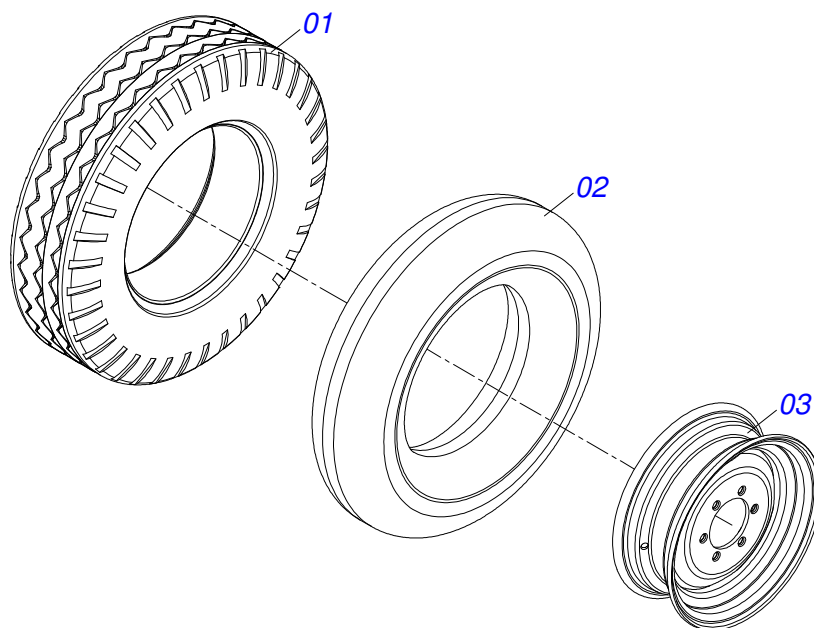
LEFT CARRYING-WHEELS



Item	Code	Description	See page	QT
01	0501068417	LEFT CARRYING-WHEELS		01
02	0501051142	CARRYING WHEEL HUB		01
03	0501016545	FLAT WASHER		01
04	0503030009	1" CASTLE NUT		01
05	0503010018	5/32 X 1-1/2 COTTERPIN		01
06	0502020591	PROTECCION COVER		01
07	0503011444	SPRING WASHER		04
08	0503010358	5/16" X 5/8" BOLT		04
09	0503010002	1800 GREASE FITTING		01

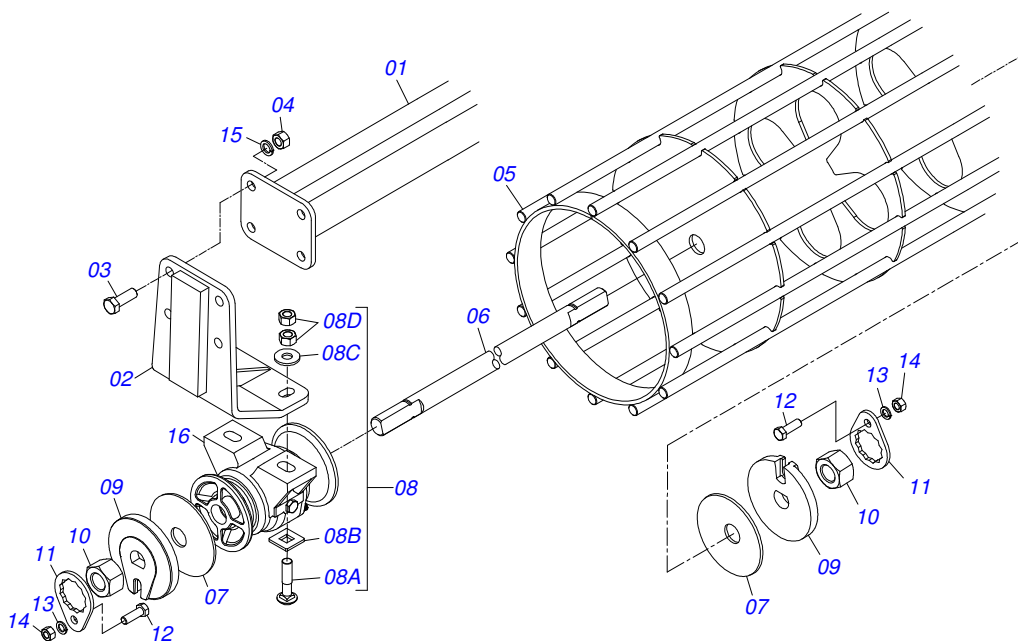


Item	Code	Description	See page	QT
01	0503010893	WHEEL		01
02	0503010033	7.50 X 16 INNER TIRE		01
03	0503010120	CANVAS TIRE		01

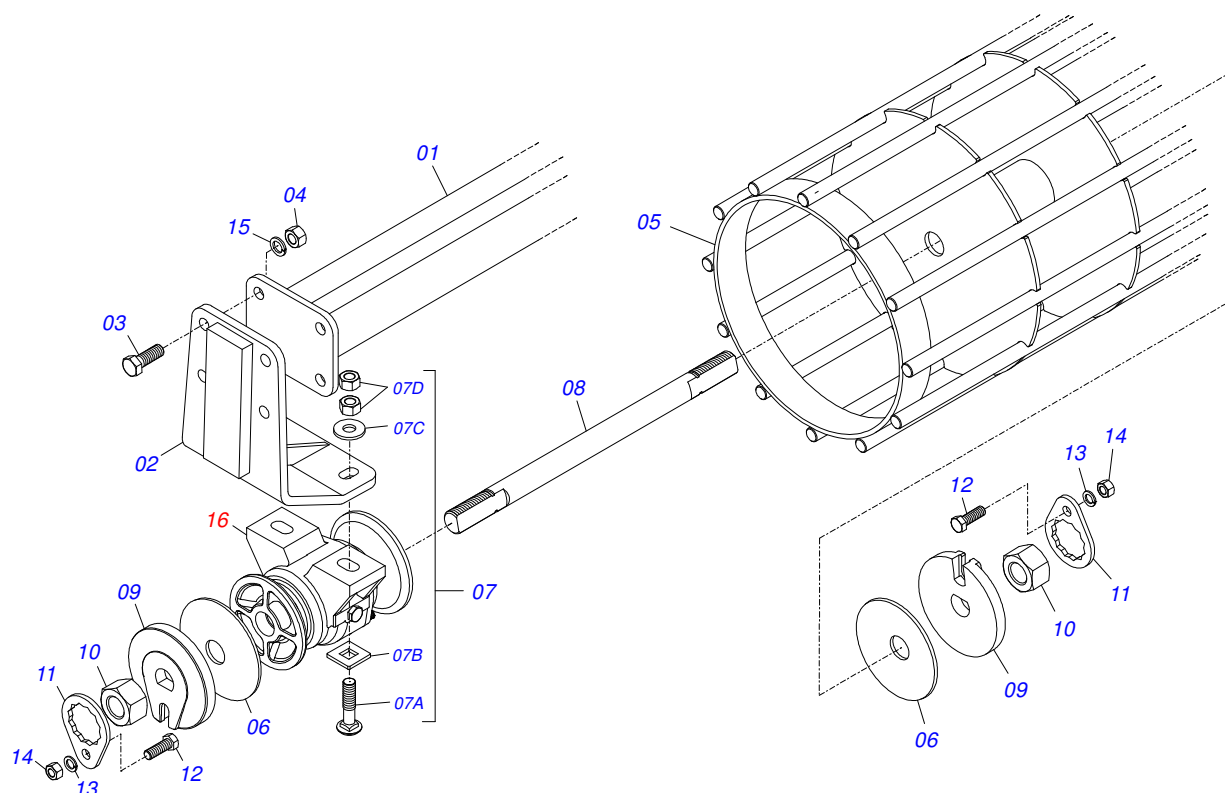


Item	Code	Description	See page	QT
01	0503012864	TYRE		01
02	0503010033	7.50 X 16 INNER TIRE		01
03	0521062708	WHEEL 5,50 X 16 X 118 X 6F 16,50 X 152,40		01

ARM ROLLE ASSY

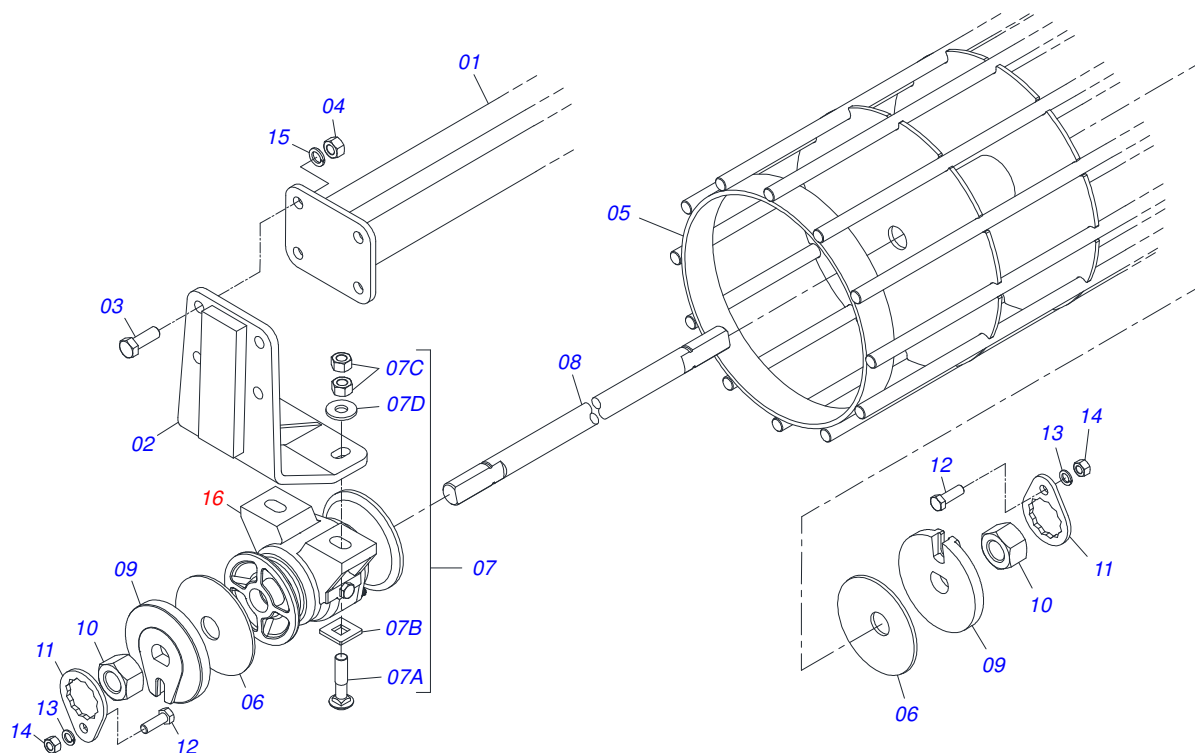


Item	Code	Description	See page	QT
01	0511065379	2129 BREAK ROLLER SUPPORT		01
02	0511069433	BREAK ROLLER BRACKET		01
03	0503010232	5/8" X 1.3/4" BOLT		04
04	0503010013	5/8" NUT		04
05	0511065382	2108 BREAK ROLLER		01
06	0501013310	1-1/4 X 2150 AXLE		01
07	0531018575	ARRUELA CONCAVA 33,50X 140X 4,75		02
08	0501058802	5/8 UNC X 2.3/4 BOLT ASSY		04
08A	0503015154	5/8" X 2.3/4" BOLT		01
08B	0501010947	5/8 NUT LOCK		01
08C	0503010013	5/8" NUT		02
08D	0501012140	FLAT WASHER		01
09	0502010835	1-1/4" EXTERNAL AXLE WASHER		02
10	0501010087	1.1/4" NUT		02
11	0501010455	1.1/4" NUT LOCK		02
12	0501010161	1/2" X 1.1/4" BOLT		02
13	0503011440	SPRING WASHER		02
14	0503010060	1/2" NUT		02
15	0503011445	SPRING WASHER		04
16	0501046922	7.5" X 1-1/4" OIL BATH BEARING		02

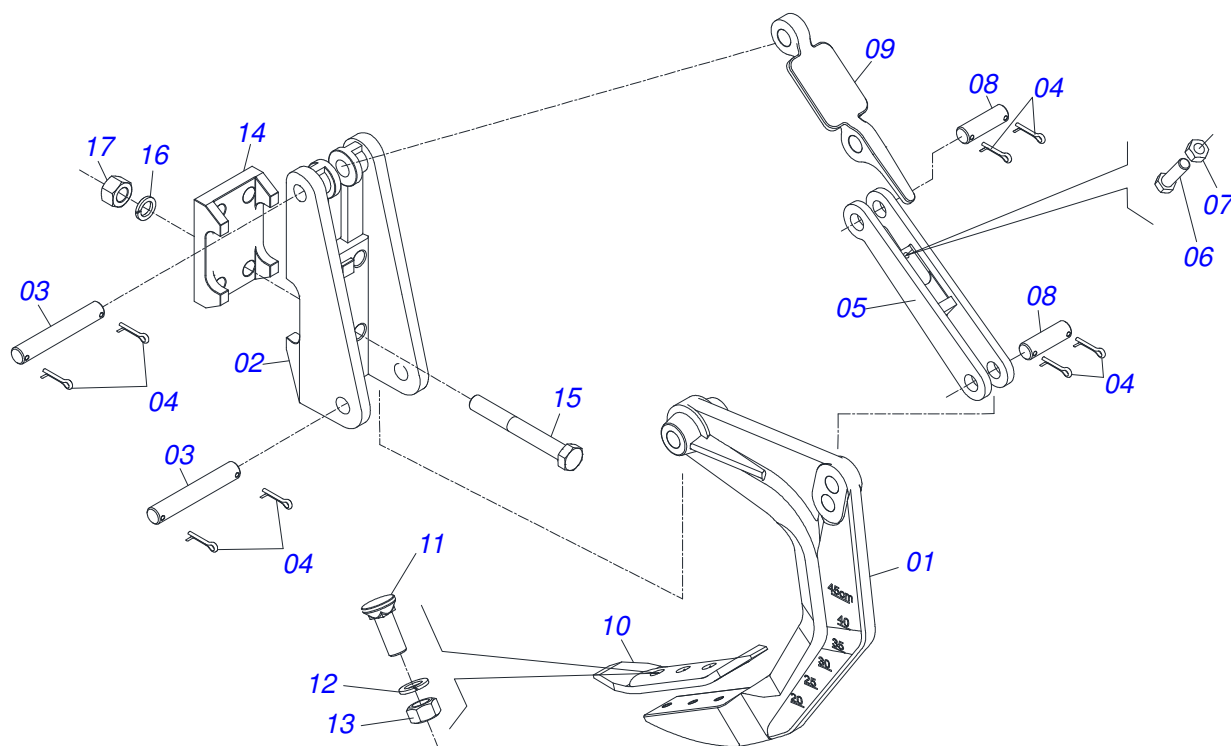


Item	Code	Description	See page	QT
01	0511065380	1329 BREAK ROLLER SUPPORT		01
02	0511069433	BREAK ROLLER BRACKET		01
03	0503010232	5/8" X 1.3/4" BOLT		04
04	0503010013	5/8" NUT		04
05	0511065383	BREAK ROLLER 1310		01
06	0531018575	ARRUELA CONCAVA 33,50X 140X 4,75		02
07	0501058802	5/8 UNC X 2.3/4 BOLT ASSY		04
07A	0503015154	5/8" X 2.3/4" BOLT		01
07B	0501010947	5/8 NUT LOCK		01
07C	0503010013	5/8" NUT		02
07D	0501012140	FLAT WASHER		01
08	0541011902	1.1/4 X 1355 AXLE		01
09	0502010835	1-1/4" EXTERNAL AXLE WASHER		02
10	0501010087	1.1/4" NUT		02
11	0501010455	1.1/4" NUT LOCK		02
12	0501010161	1/2" X 1.1/4" BOLT		02
13	0503011440	SPRING WASHER		02
14	0503010060	1/2" NUT		02
15	0503011445	SPRING WASHER		04
16	0501046922	7.5" X 1-1/4" OIL BATH BEARING		02

BREAK ROLLER ASSY

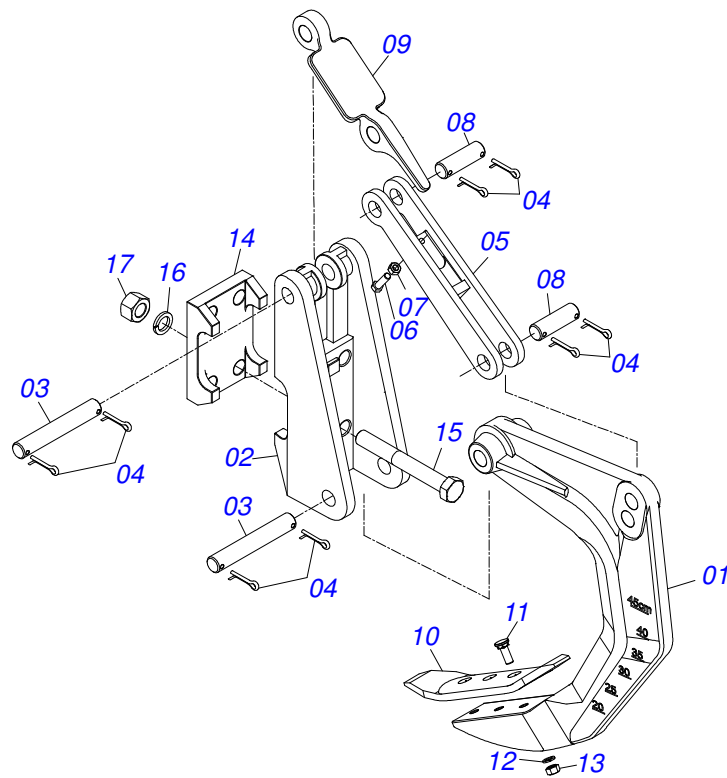


Item	Code	Description	See page	QT
01	0511065381	1729 BREAK ROLLER SUPPORT		01
02	0511069433	BREAK ROLLER BRACKET		01
03	0503010232	5/8" X 1.3/4" BOLT		04
04	0503010013	5/8" NUT		04
05	0511065384	1710 BREAK ROLLER		01
06	0531018575	ARRUELA CONCAVA 33,50X 140X 4,75		02
07	0501058802	5/8 UNC X 2.3/4 BOLT ASSY		04
07A	0503015154	5/8" X 2.3/4" BOLT		01
07B	0501010947	5/8 NUT LOCK		01
07C	0503010013	5/8" NUT		02
07D	0501012140	FLAT WASHER		01
08	0541011903	1.1/4" X 1755 AXLE		01
09	0502010835	1-1/4" EXTERNAL AXLE WASHER		02
10	0501010087	1.1/4" NUT		02
11	0501010455	1.1/4" NUT LOCK		02
12	0501010161	1/2" X 1.1/4" BOLT		02
13	0503011440	SPRING WASHER		02
14	0503010060	1/2" NUT		02
15	0503011445	SPRING WASHER		04
16	0501046922	7.5" X 1-1/4" OIL BATH BEARING		02

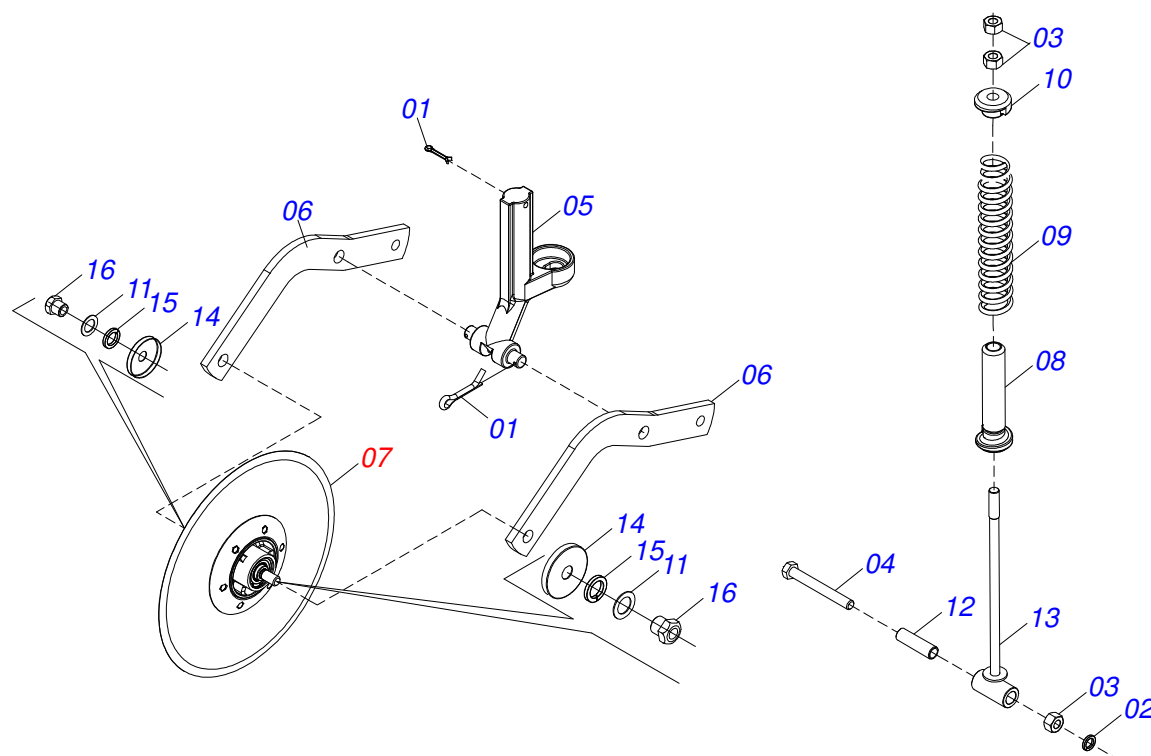


Item	Code	Description	See page	QT
01	0502011264	ARM AST/MATIC		01
02	0502011165	REAR FIXER		01
03	0511015688	1.1" X 7.1" COUPLING SHAFT		02
04	0503010571	1/4" X 1.1/2 COTTERPIN		08
05	0502011164	SUPPORT SPRING		01
06	0503811135	BOLT		01
07	0503010244	7/16" NUT		01
08	0511015689	1.1" X 3.5" COUPLING SHAFT		02
09	0521011631	AUTOMATIC RESET		01
10	0624010005	POINT SUBSOILER 16"X3"X1/2" E019		01
11	0503812956	BOLT		03
12	0503011440	SPRING WASHER		03
13	0503010020	1/2"NUT		03
14	0502011166	FRONT FIXER		01
15	0511019527	1" X 8" BOLT		04
16	0503011438	SPRING WASHER		04
17	0503010340	1" NUT		04

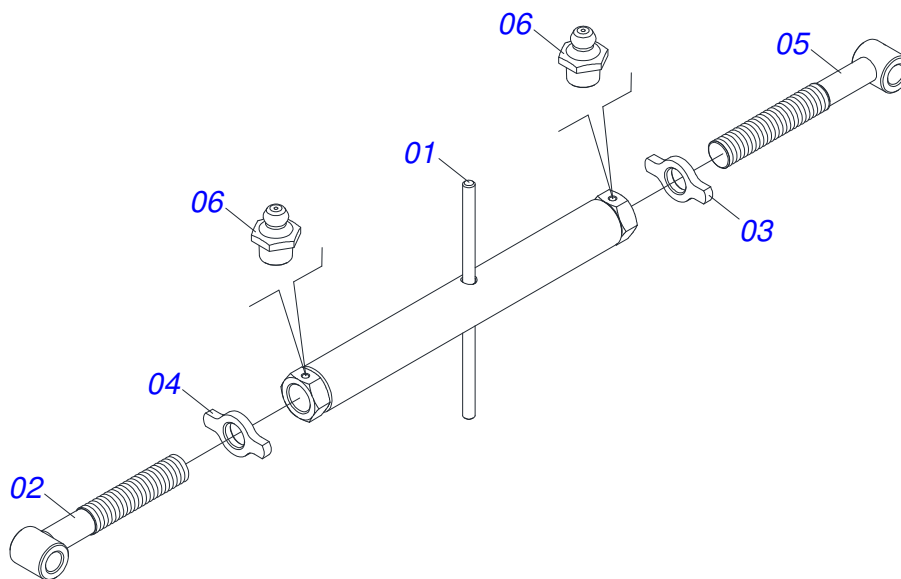
SHANKS SYSTEM ASSY



Item	Code	Description	See page	QT
01	0502011264	ARM AST/MATIC		01
02	0502011165	REAR FIXER		01
03	0511015688	1.1" X 7.1" COUPLING SHAFT		02
04	0503010571	1/4" X 1.1/2 COTTERPIN		08
05	0502011164	SUPPORT SPRING		01
06	0503811135	BOLT		01
07	0503010244	7/16" NUT		01
08	0511015689	1.1" X 3.5" COUPLING SHAFT		02
09	0521011631	AUTOMATIC RESET		01
10	0624010008	16" X 3" X 5/8" POINT SUBSOILER		01
11	0503814193	BOLT		03
12	0503011440	SPRING WASHER		03
13	0503010020	1/2"NUT		03
14	0502011166	FRONT FIXER		01
15	0511019527	1" X 8" BOLT		04
16	0503011438	SPRING WASHER		04
17	0503010340	1" NUT		04

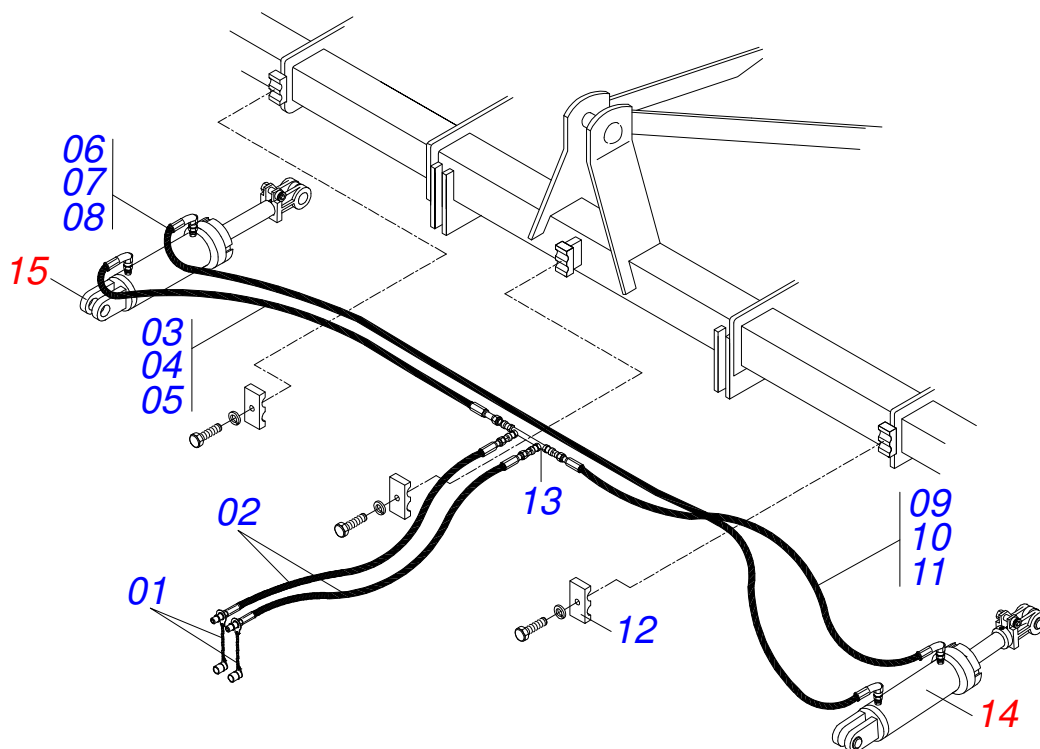


Item	Code	Description	See page	QT
01	0503010571	1/4" X 1.1/2 COTTERPIN		02
02	0503011442	3/4" SPRING WASHER		01
03	0503010014	3/4" NUT		03
04	0503011198	C3/4" X 6" SCREW		01
05	0502012025	BLADE DISC SUPPORT		01
06	0521019800	BLADE DISC BREAK		02
07	0501052139	18 BLADE DISC WITH FLAT PLAN DISC		01
08	0511061576	SPRING GUIDE		01
09	0503031679	COMPRES SPRING		01
10	1902020393	SPRING UPPER SUPPORT		01
11	0511015346	FLAT WASHER		02
12	0521010452	SLEEVE		01
13	0511060915	ROD SPRING		01
14	0521015376	DUST CLOAK		02
15	0503011438	SPRING WASHER		02
16	0521013510	3/4" NUT		02
17	0502012026	BLADE DISC FIXER SUPPORT		01
18	1902012024	FIXER SUPPORT BUSHING		01
19	0503010129	5/8" NUT		01
20	0503013184	5/8" X 2-3/4" BOLT G.8		01
21	0501011299	FLAT WASHER		01



Item	Code	Description	See page	QT
01	0501068095	850 ADJUSTMENT NUT		01
02	0501068096	RIGTH TURNBUCKLE		01
03	0541018673	COUNTERNUT		01
04	0541018672	COUNTERNUT		01
05	0501068097	LEFT TURNBUCKLE		01
06	0503010002	1800 GREASE FITTING		02

HYDRAULIC CIRCUIT



Item	Code	Description	See page	05	07	09	11
01	0501053834	MALE QUICK COUPLER WITH CAP - 1/2 NPT		02	02	02	02
02	0501080384	TR-TM HOSE ASSY		01	01	01	01
03	0501080302	TR-TC HOSE ASSY		01	00	00	00
04	0501080402	HOSE 3/8 X 1700 TR-TC		00	01	00	01
05	0501080419	TR-TC HOSE ASSY		00	00	01	00
06	0501080370	TC-TC HOSE ASSY		01	00	00	00
07	0501080479	TC-TC HOSE ASSY		00	01	00	01
08	0501080578	TC-TC HOSE ASSY		00	00	01	00
09	0501080386	HOSE 3/8 X 1050 TR-TC		01	00	00	00
10	0501080025	TR-TC HOSE ASSY		00	01	00	01
11	0501080431	TR-TC HOSE ASSY		00	00	01	00
12	0502012702	BODY SUPPORT CLAMP		03	03	03	03
13	0501068088	OIL TUBE		01	01	01	01
14	0521045636	HYDRAULIC CYLINDER	3	01	01	01	01
15	0521045637	HYDRAULIC CYLINDER	2	01	01	01	01



www.marchesan.com.br



Technical Publications | Elaboration and Revision
JOSÉ DOMINGOS GASPARI