

OFFSET DISK HARROW

GAPCR-HD 8013 RIGID HYDRAULIC

Code: 0501092332
Series: S-0705
Revision: 00
Date Revision: SETEMBRO/2018

PARTS CATALOGUE



MARCHESAN



PRODUCTS

Code	Description
0102060181	GAPCR-HD 8013 21X32X9 DM S-0705
0102060182	GAPCR-HD 8013 21X34X9 DM S-0705
0102060183	GAPCR-HD 8013 21X36X9 DM S-0705
0102060184	GAPCR-HD 8013 23X32X9 DM S-0705
0102060185	GAPCR-HD 8013 23X34X9 DM S-0705
0102060186	GAPCR-HD 8013 23X36X9 DM S-0705
0102060187	GAPCR-HD 8013 25X32X9 DM S-0705
0102060188	GAPCR-HD 8013 25X34X9 DM S-0705
0102060189	GAPCR-HD 8013 25X36X9 DM S-0705
0102060190	GAPCR-HD 8013 29X32X9 DM S-0705
0102060191	GAPCR-HD 8013 29X34X9 DM S-0705
0102060192	GAPCR-HD 8013 29X36X9 DM S-0705
0102060213	GAPCR-HD 8013 29X36X9DM S/PN S-0705
0102060161	GAPCR-HD 8013 31X 34X 9 DR S-0705
0102060164	GAPCR-HD 8013 31X32X9 DM S-0705
0102060165	GAPCR-HD 8013 31X36X9 DM S-0705
0102060222	GAPCR-HD 8013 33X32X9 DM S-0705
0102060223	GAPCR-HD 8013 33X34X9 DM S-0705
0102060224	GAPCR-HD 8013 33X36X9 DM S-0705
0102060193	GAPCR-HD 8013 35X32X9 DM S-0705
0102060194	GAPCR-HD 8013 35X34X9 DM S-0705
0102060162	GAPCR-HD 8013 35X36X9 DR DM S-0705
0102060233	GAPCR-HD 8013 37 X 34 X 12,0 DM S-0705
0102060059	GAPCR-HD 8013 37X32X9 DM S-0705
0102060195	GAPCR-HD 8013 37X32X9 DM S-0705
0102060196	GAPCR-HD 8013 37X34X9 DM S-0705
0102060197	GAPCR-HD 8013 37X36X9 DM S-0705
0102060140	GAPCR-HD 8013 37X36X9DM S/PN S-0705

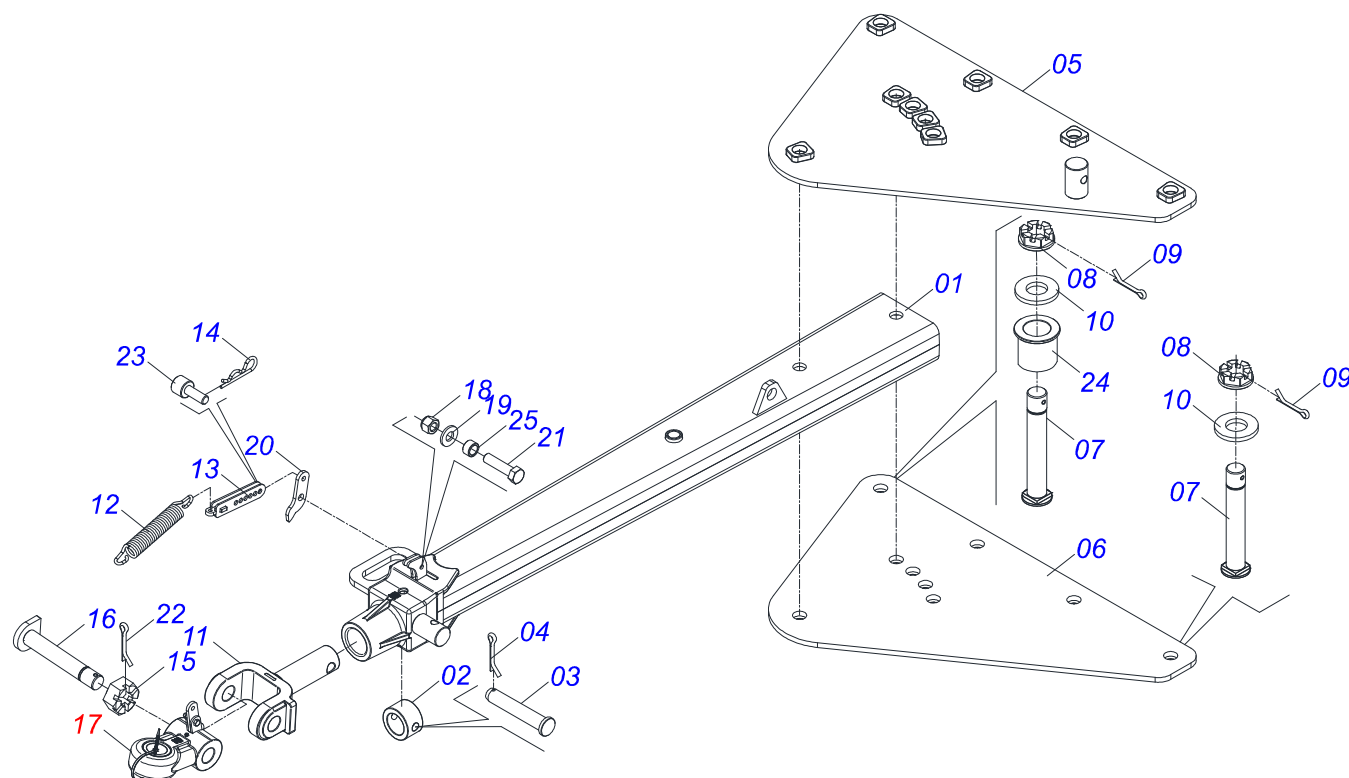
ATTENTION: IMPORTANT

Marchesan S.A. reserves the right to improve and/or modify the technical features of its products, without obligation to do the same with those products already sold and without prior knowledge of the dealer or the customer. The photos are only illustrative.

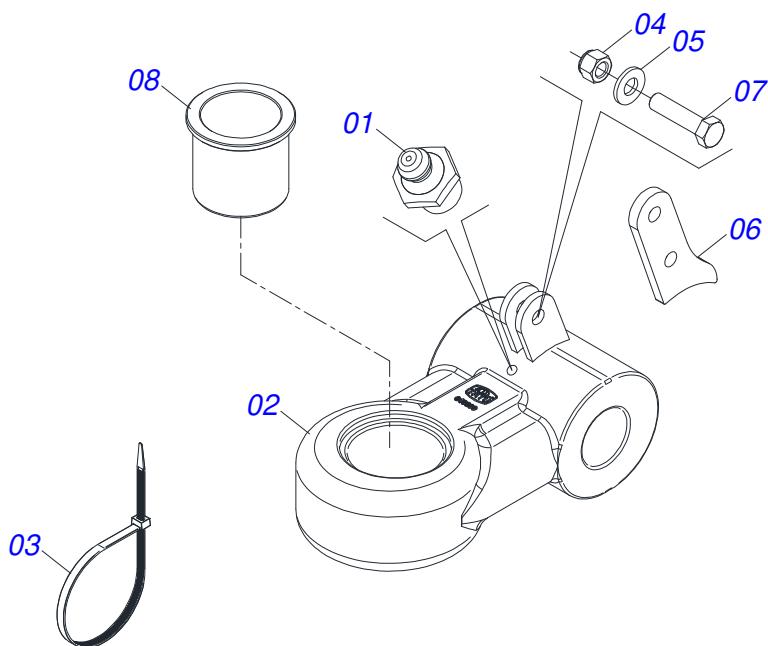


INDEX

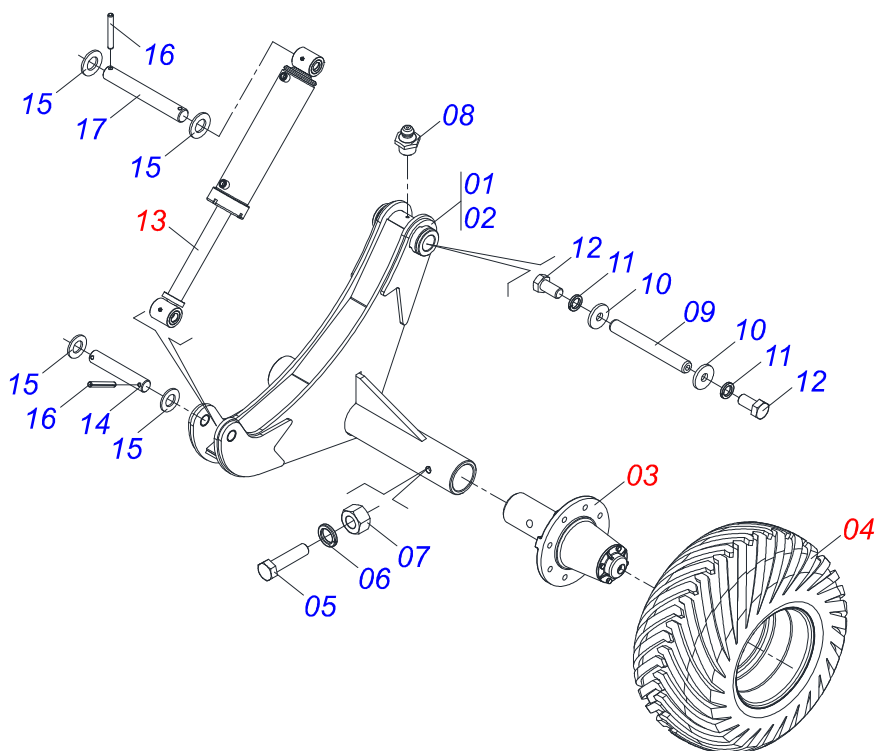
0909094870	FRAME ASSY - 21/23/25/29/31/33/35/37D	1
0511041592	ASSY TRACTION BAR (PIN 3)	2
0531040171	ASSY HITCH	3
0909094871	WHEEL ASSY	4
0501056467	STUB SHAFT & HUB ASSY	5
0503060102	WHEEL AND TIRE	6
0521051832	HYDRAULIC CYLINDER 53,98 X 114,30 X 654 X 346	7
0511048088	DRAWBAR JACK	8
0909094855	HEAD ARTICULATED ASSY	9
0501055696	DISCHARGE VALVE OFS ASSY	10
0511051627	FLOW DIVIDING VALVE	11
0909094329	21/23/25/29/31/33/35/37D - SECTION BLADES	12
0511042290	13" X 2-1/2" OIL BATH BEARING	13
0511045349	AGRICULTURAL BEARING	14
0909093030	21/23/25/29/31/33/35/37D - HYDRAULIC CIRCUIT	15



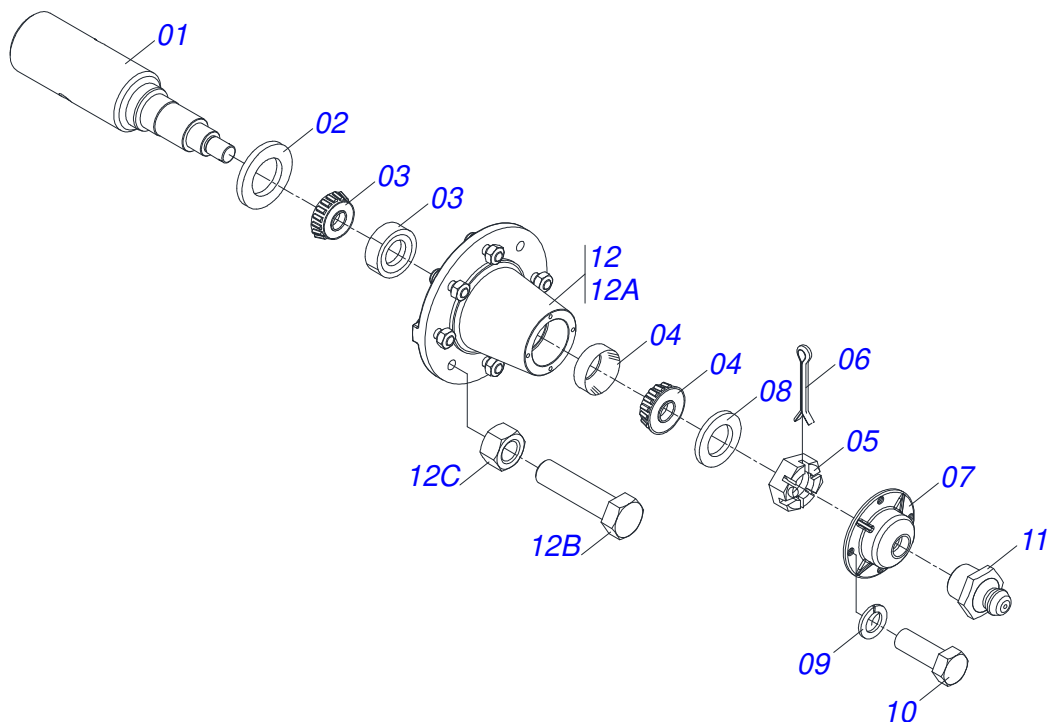
Item	Code	Description	See page	QT
01	0511064669	DRAWBAR ASSY		01
02	0502040263	ANEL TRAVA ENGATE		01
03	0561017306	COUPLING SHAFT		01
04	0503010523	1/4" X 2" SPLIT PIN		01
05	0511064659	UPPER PLATE		01
06	0511064658	LOWER PLATE		01
07	0521011880	37,5 X 242 COUPLING SHAFT		06
08	0501011301	1.1/2 UNC 6FPP 2.5/16 NUT		06
09	0503010010	1/4" X 2.1/2" COTTERPIN		06
10	0501012916	FLAT WASHER 40 X 66 X 4,75 ZN		06
11	1902040897	TRACTOR HITCH		01
12	0503031741	1.8" X 11.4" 0.3" TRACTION SPRING		01
13	0531061607	SPRING REGULATOR		01
14	0503030285	HITCH PIN CLIP		01
15	0502040558	2" CASTLE NUT		01
16	0531061122	AXIS ARTICULATOR		01
17	0531040171	ASSY HITCH	3	01
18	0503010589	1/2" UNC SELF ADJUSTING NUT		01
19	0501010937	13,50 X 28 X 3,00 FLAT WASHER		01
20	0591014554	REAR EAR FIXING SPRING		01
21	0503010740	BOLT 1/2 UNC X 2 CS G.5 ZN		01
22	0503010074	3/8 X 0,15" COTTERPIN		01
23	0591014558	SPRING REGULATOR FIXER AXLE		01
24	0591013086	SLEEVE		01
25	0591014552	SLEEVE		01



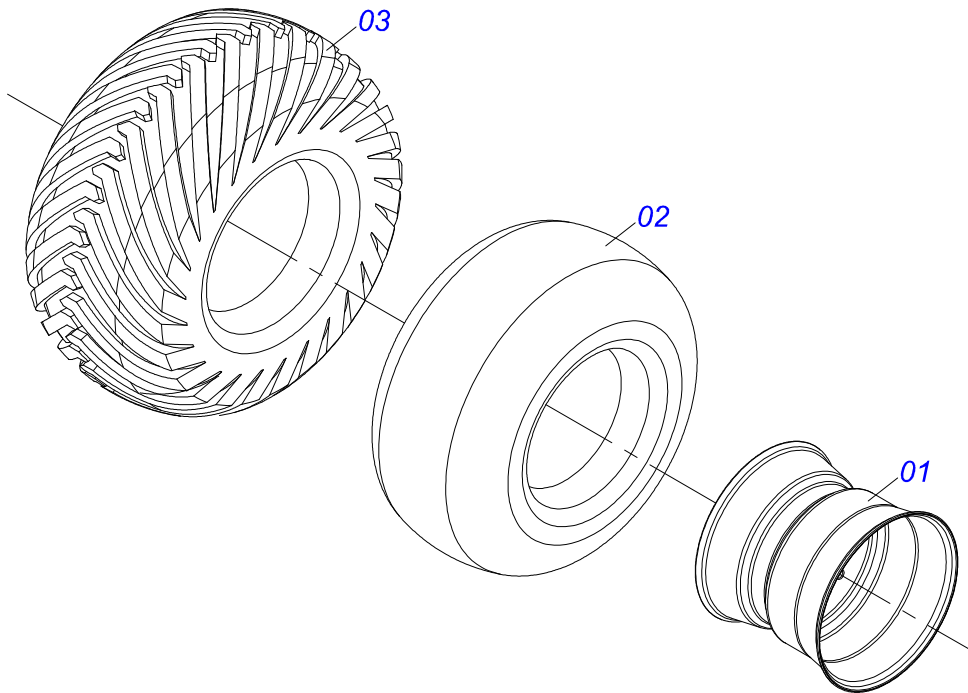
Item	Code	Description	See page	QT
01	0503010002	1800 GREASE FITTING		01
02	0531061121	HITCH		01
03	0503018829	NYLON CLAMP		01
04	0503010589	1/2" UNC SELF ADJUSTING NUT		01
05	0501010937	13,50 X 28 X 3,00 FLAT WASHER		01
06	0591014555	FRONT EAR FIXING SPRING		01
07	0503010740	BOLT 1/2 UNC X 2 CS G.5 ZN		01
08	0591013448	SLEEVE		01



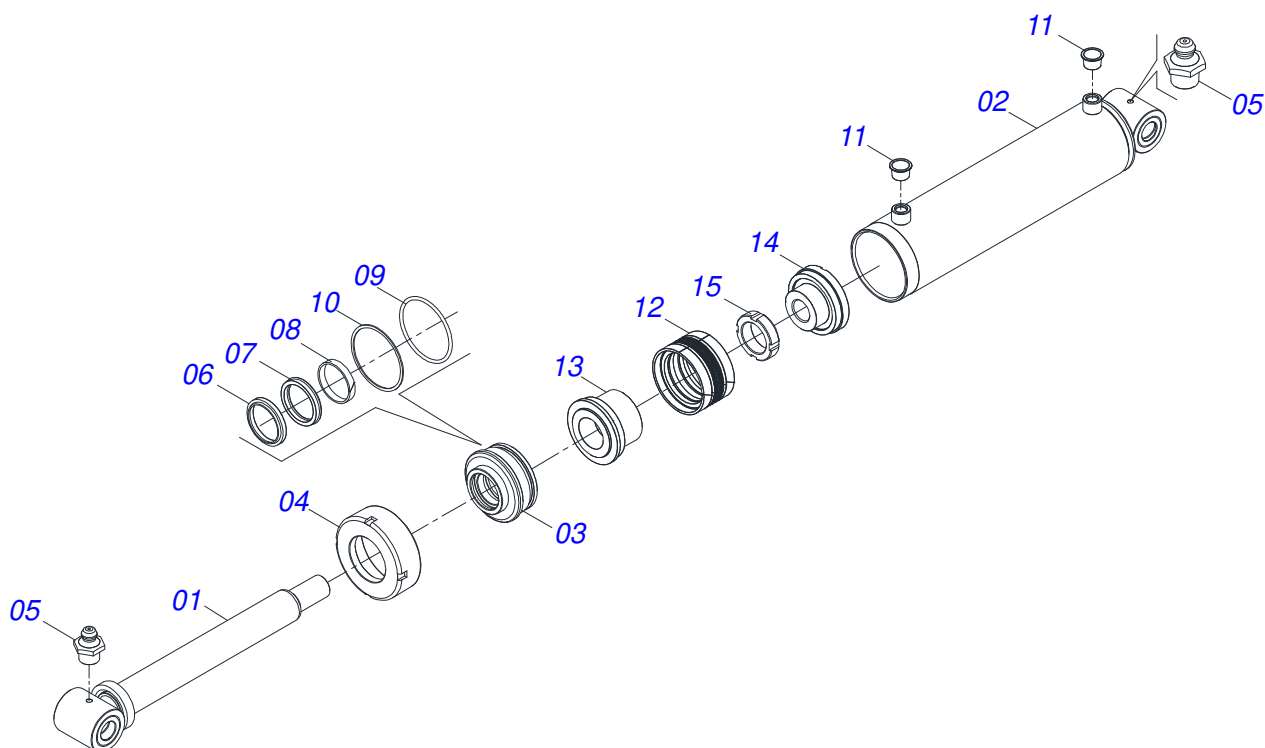
Item	Code	Description	See page	QT
01	0511066611	LEFT CARRYING-WHEELS SUPPORT		01
02	0511066741	RIGHT CARRYING-WHEELS SUPPORT		01
03	0501056467	STUB SHAFT & HUB ASSY	5	04
04	0503060102	WHEEL AND TIRE	6	04
05	0503013185	3/4" X 5-1/2" BOLT		04
06	0503010023	3/4" SPRING WASHER		04
07	0503010014	3/4" HEX NUT		04
08	0503010002	1800 GREASE FITTING		02
09	0531018062	COUPLING SHAFT		02
10	0521011565	FLAT WASHER		04
11	0503010012	1" SPRING WASHER		04
12	0503011250	1" X 2" BOLT		04
13	0521051832	HYDRAULIC CYLINDER 53,98 X 114,30 X 654 X 346	7	02
14	0531018101	1.2" X 6.3" PIVOT SHAFT		02
15	0501017779	32 X 60 X 4.75 FLAT WASHER		08
16	0503011877	0.3" X 2.4" SPRING PIN		08
17	0531018105	1.2" X 11.8" PIVOT SHAFT		02



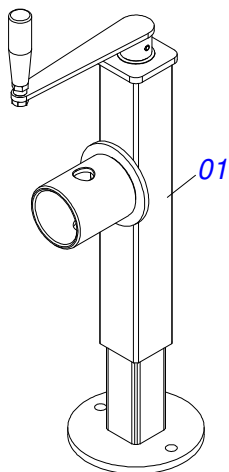
Item	Code	Description	See page	QT
01	0541016566	POINT AXIS 3.1/2 X 375		01
02	0503013314	RETAINER 5166-GB 63,5 X 110 X 13 ARCA		01
03	0503015290	3780/3720 ROLLER BEARING		01
04	0503014821	ROLLER BEARING		01
05	0503830009	1" X 0.9" CASTLE NUT		01
06	0503010018	5/32 X 1-1/2 COTTERPIN		01
07	0502020591	PROTECCION COVER		01
08	0511812492	FLAT WASHER		01
09	0503011444	SPRING WASHER		04
10	0503810358	5/16" X 7/8" UNC BOLT		04
11	0503010002	1800 GREASE FITTING		01
12	0501110738	CARRYING WHEEL HUB		01
12A	0502012260	TRANSPORT WHEEL BOX		01
12B	0501010186	WHEEL SCREW 5/8UNF X 2.1/8CR		08
12C	0503010064	5/8 UNF CONIC NUT		08



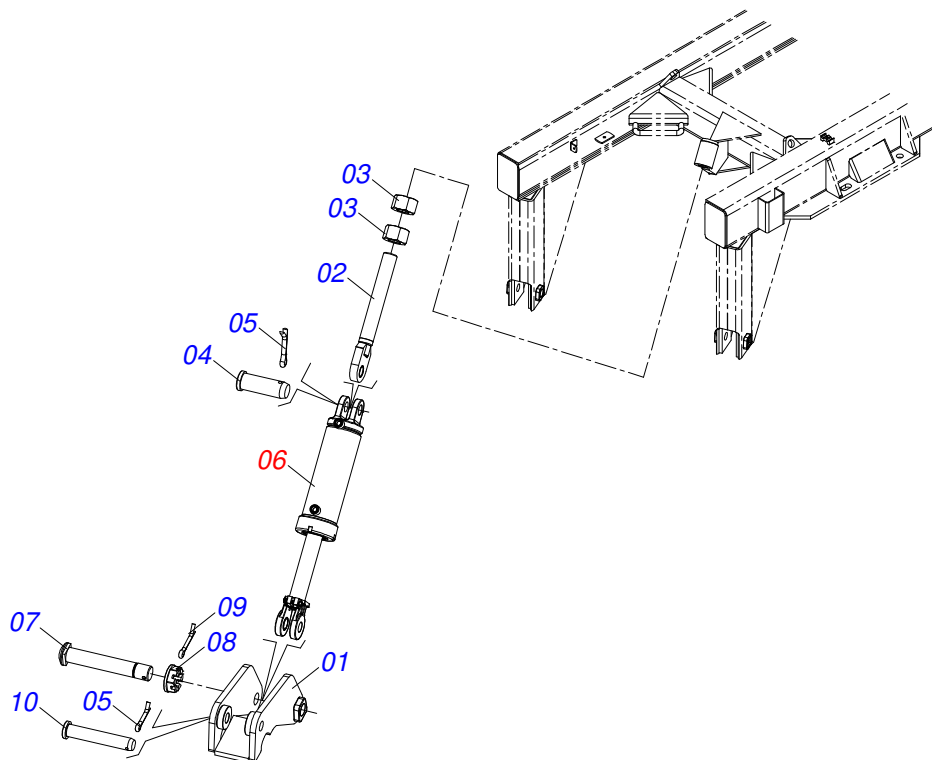
Item	Code	Description	See page	QT
01	0501069483	WHEEL		01
02	0503012112	400/60 - 15.5 TR 15 INNER TIRE		01
03	0503013119	CANVAS TIRE		01



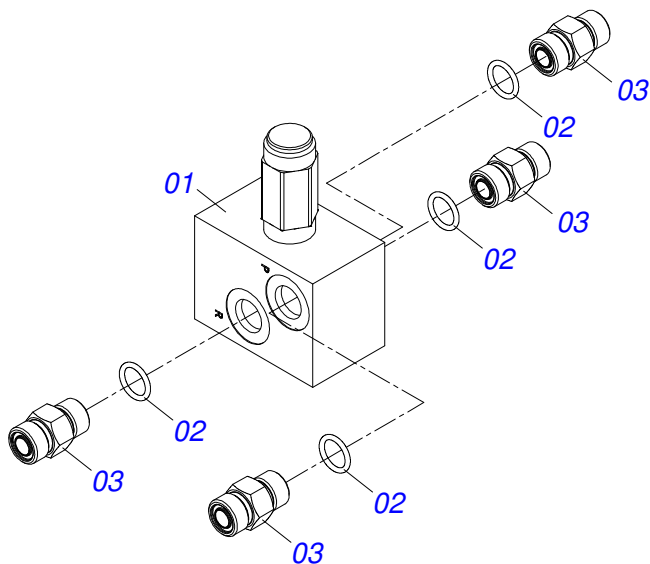
Item	Code	Description	See page	QT
01	0521061684	56,98 X 590,50 TURNBUCKLE		01
02	0521061685	114,30 X 500 CYLINDER CASE		01
03	0502012644	RING SUPPORT		01
04	0502011222	0.56" END CAP		01
05	0503010002	1800 GREASE FITTING		02
06	0503015715	SCRAPER SEALING		01
07	0503015642	U-CUP SEALING		01
08	0503015641	WEAR RING		00
09	0503011892	O' RING, 2-346 N 3006-9B		01
10	0503011893	BACK-UP RING, 8-346		01
11	0503030384	CON PLUG N-001		02
12	0503015640	SEALING SELEMASTER		01
13	0561016578	PISTON BODY		01
14	0581015283	BODY		01
15	0503819100	SCREW		01
16	0511034304	HYDRAULIC CYLINDER REPAIR KIT (0521051832)		01



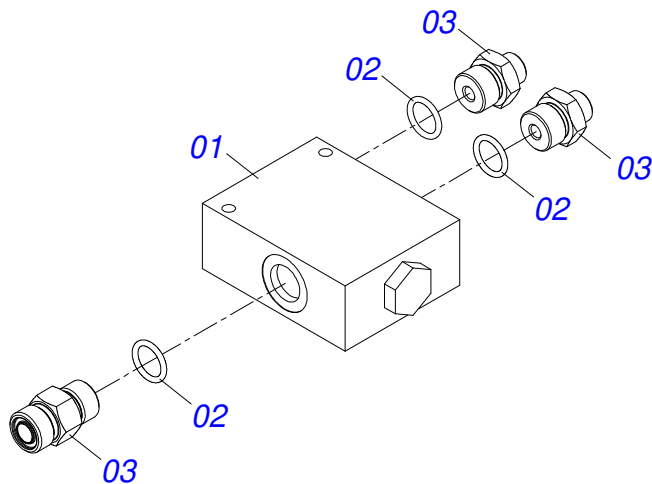
Item	Code	Description	See page	QT
01	0503062227	DRAWBAR JACK		01



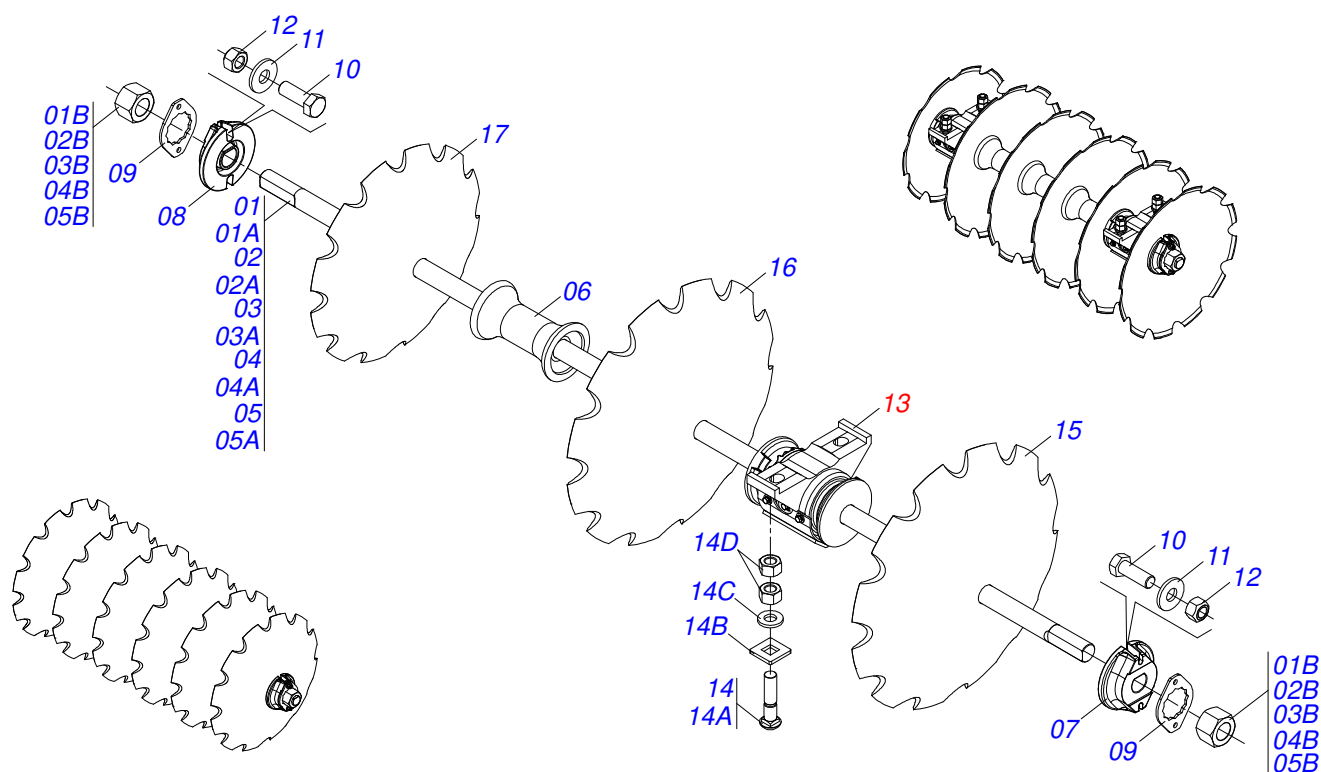
Item	Code	Description	See page	QT
01	0511064656	DRAWBAR PIVOT		01
02	0511064433	REGULATOR SPINDLE 1-3/4		01
03	0501010333	1.3/4" NUT		02
04	0521012538	1.2" X 3.5" COUPLING SHAFT		01
05	0503010523	1/4" X 2" SPLIT PIN		02
06	0511058419	HYDRAULIC CYLINDER 50,80 X 101,60 X 514 X 206		01
07	0521012053	1.5" X 8.6" AXLE		01
08	0501011301	1.1/2 UNC 6FPP 2.5/16 NUT		01
09	0503010010	1/4" X 2.1/2" COTTERPIN		01
10	0531019171	1.25" X 7" COUPLING SHAFT		01



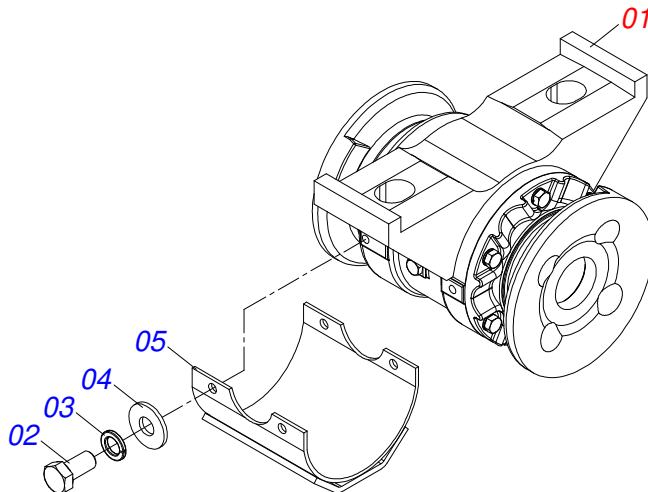
Item	Code	Description	See page	QT
01	0503010919	DISCHARGE VALVE		01
02	0503010190	2-114 N 3006-9B O'RING		04
03	0503030923	3/4" UNF X 13/16UN OFS X 40 NIPPLE		04



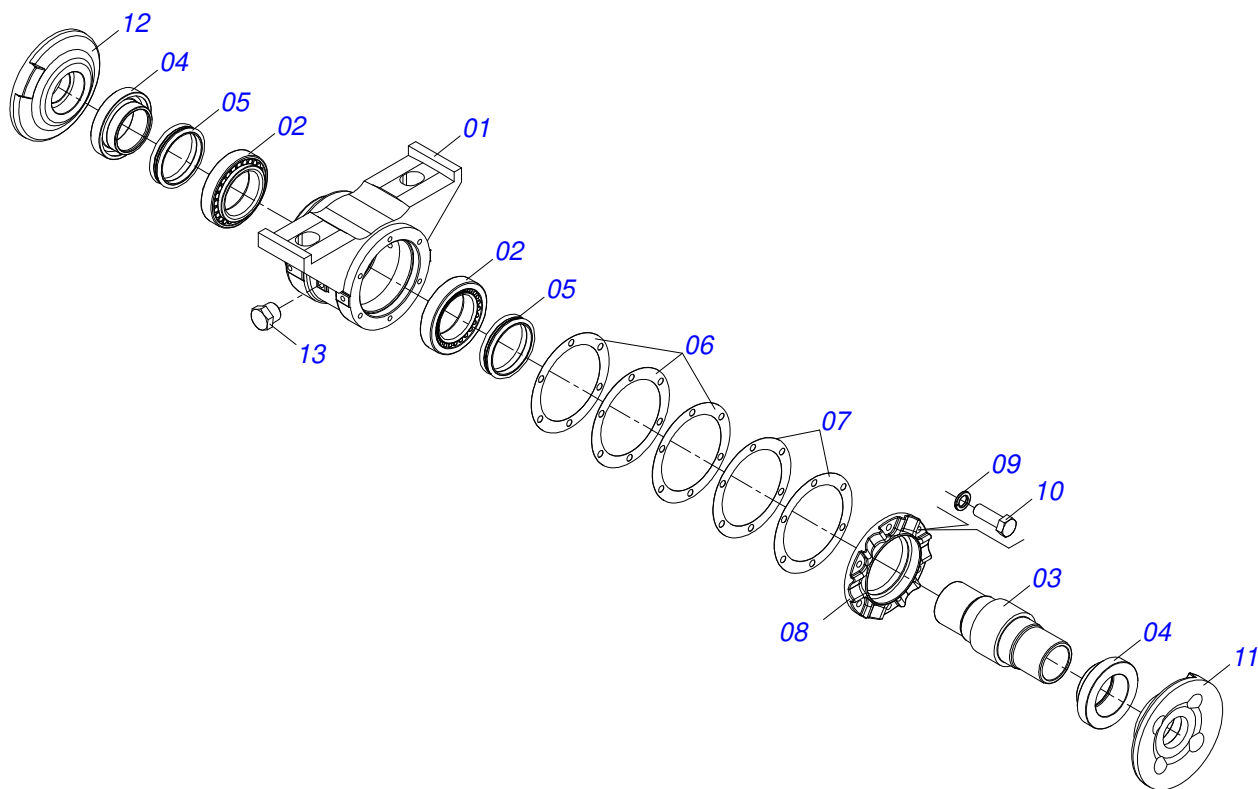
Item	Code	Description	See page	QT
01	0503016227	FLOW DIVIDING VALVE		01
02	0503011109	2-119 N 3006-9B O'RING		03
03	0571010736	NIPPLE R1.1/16 UN X 13/16UN OFS		03



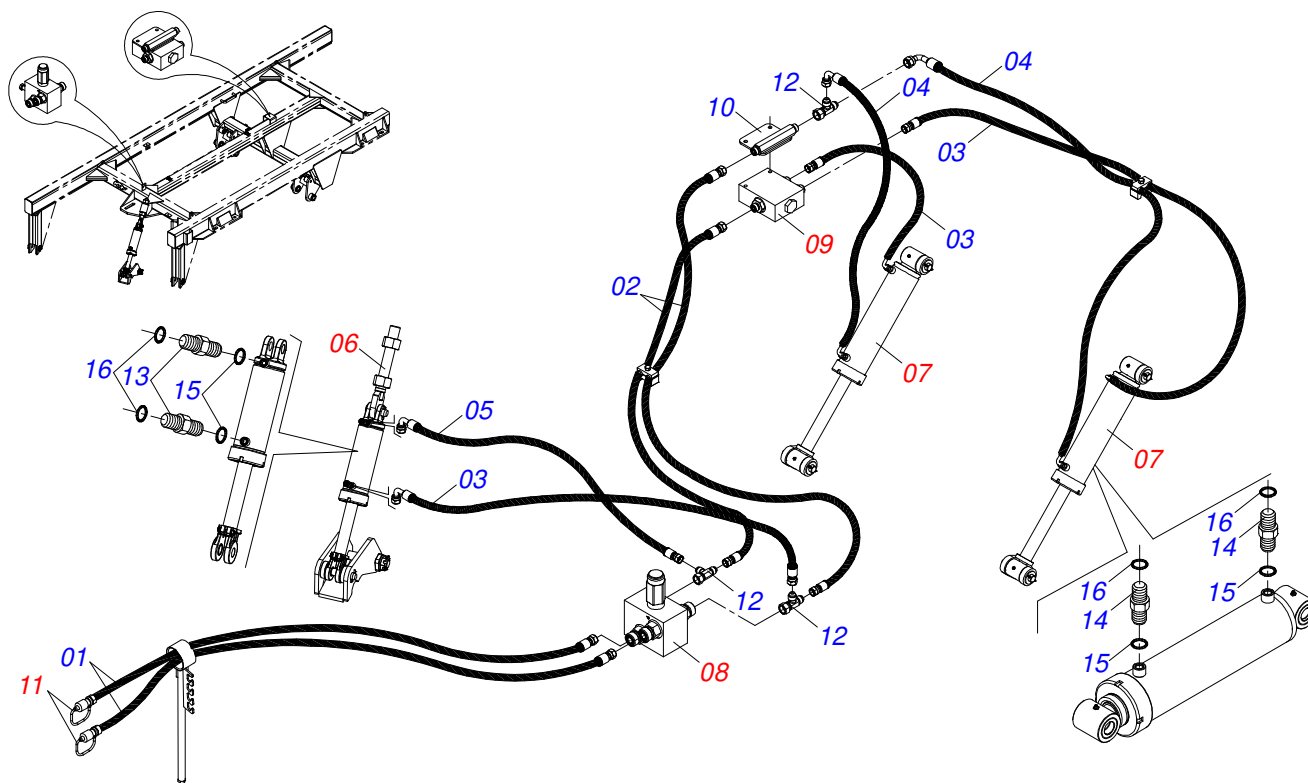
Item	Code	Description	See page	021	023	025	029	031	033	035	037
01	0511042421	2-1/2" X 91.7" AXLE WITH NUTS		000	000	001	003	001	000	000	001
01A	0541011893	2-1/2" X 91.7" AXLE		000	000	001	003	001	000	000	001
01B	0502040064	2.1/2" SNC X 70 99 NUT		000	000	002	006	002	000	000	002
02	0511042422	2-1/2" X 105" AXLE WITH NUTS		000	000	000	001	003	003	001	000
02A	0541011894	2-1/2" X 105" AXLE		000	000	000	001	003	003	001	000
02B	0502040064	2.1/2" SNC X 70 99 NUT		000	000	000	002	006	006	002	000
03	0511042483	2-1/2" X 65" AXLE WITH NUTS		003	001	000	000	000	000	000	000
03A	0541012128	2-1/2" X 65" AXLE WITH NUTS		003	001	000	000	000	000	000	000
03B	0502040064	2.1/2" SNC X 70 99 NUT		006	002	000	000	000	000	000	000
04	0511042484	2-1/2" X 78" AXLE WITH NUTS		001	003	003	000	000	000	000	005
04A	0541012129	2-1/2" X 78" AXLE		001	003	003	000	000	000	000	005
04B	0502040064	2.1/2" SNC X 70 99 NUT		002	006	006	000	000	000	000	010
05	0521040322	AXLE 2.1/2 X 3010		000	000	000	000	000	001	003	000
05A	0571010424	AXLE 2.1/2 X 2995		000	000	000	000	000	001	003	000
05B	0502040064	2.1/2" SNC X 70 99 NUT		000	000	000	000	000	002	006	000
06	0502011425	13" X 2-1/2" SPACER		009	011	013	017	019	021	023	019
07	0502010593	2.1/2" EXTERNAL AXLE WASHER		004	004	004	004	004	004	004	006
08	0502010592	2.1/2" INNER AXLE WASHER		004	004	004	004	004	004	004	006
09	0541010368	NUT LOCK		008	008	008	008	008	008	008	012
10	0503010232	5/8" X 1.3/4" BOLT		016	016	016	016	016	016	016	024
11	0501012140	FLAT WASHER		016	016	016	016	016	016	016	024
12	0503012412	5/8" UNC SELF LOCKING NUT		016	016	016	016	016	016	016	024
13	0511042290	13" X 2-1/2" OIL BATH BEARING	13	008	008	008	008	008	008	008	012
14	0501041301	1.1/4" X 5.3/4" ASSY BOLT		016	016	016	016	016	016	016	024
14A	0501010954	1.1/4" X 5.3/4" BOLT		016	016	016	016	016	016	016	024
14B	0501010953	1-1/4" SQUARE WASHER		016	016	016	016	016	016	016	024
14C	0531010713	FLAT WASHER		016	016	016	016	016	016	016	024
14D	0501010087	1.1/4" NUT		032	032	032	032	032	032	032	048
15	0602044002	32" X 0.3" NOTCHED DISC BLADE		020	022	024	014	000	000	000	000
15.	0602044033	DR 32 X 9 C115AF04FR2.9/16 10R TAT/CV		001	022	001	014	015	032	034	018
15..	0602046001	DR 34 X 9 C120AF04FR2.9/16 12R TAT/CIV		020	001	024	028	030	032	034	036



Item	Code	Description	See page	QT
01	0511045349	AGRICULTURAL BEARING	14	01
02	0503010834	1/2 X 1 BOLT		04
03	0503010019	1/2" SPRING WASHER		04
04	0511017302	FLAT WASHER 13,50 X 32,50 X 3,0 ZN		04
05	0521067034	BEARING PROTECTIVE COVER WITH REINFORCEMENT		01



Item	Code	Description	See page	QT
01	0502012218	13" 2-1/2" HOUSING BEARING	01	01
02	0503010482	594A/592A ROLLER BEARING	02	02
03	0502040204	AXLE	01	01
04	0502040119	SEAL RETAINER	02	02
05	0503030029	RETAINER LP JB-259	02	02
06	0503030537	8.3" X 6.3" X 0.01" JOINT	03	03
07	0503030687	8.3" X 6.3" X 0.004" JOINT	02	02
08	0502010644	HOUSING CAP DM	01	01
09	0503011440	SPRING WASHER	06	06
10	0503010920	1/2 UNC X 1.1/2 C S G.5 ZN BOLT	06	06
11	0502012239	BEARING OUTER FLANGE	01	01
12	0502012238	BEARING INNER FLANGE	01	01
13	0503010856	OIL PLUG	02	02



Item	Code	Description	See page	QT
01	0501080917	1/2" X 5500 TR-TM HOSE ASSY		02
02	0501081708	1/2" X 2300 TR-TR OFS HOSE		02
03	0501081115	1/2" X 1330 TC-TR HOSE ASSY		03
04	0501081116	1/2 X 1630 TC-TC HOSE ASSY		02
05	0501081707	1/2" X 1000 TC-TR OFS HOSE		01
06	0511058419	HYDRAULIC CYLINDER 50,80 X 101,60 X 514 X 206		01
07	0521051832	HYDRAULIC CYLINDER 53,98 X 114,30 X 654 X 346	7	02
08	0501055996	ROW 18 BLADE DISC ASSY		01
09	0511051627	FLOW DIVIDING VALVE	11	01
10	0521062967	OIL TUBE DISTRIBUTOR		01
11	0501053834	MALE QUICK COUPLER		02
12	0503013637	T 1/2" MALE ADAPTER		03
13	0503032031	3/4" UNF REDUCTION NIPPLE		02
14	0503030923	3/4" UNF X 13/16UN OFS X 40 NIPPLE		04
15	0503010190	2-114 N 3006-9B O'RING		06
16	0503011030	2-014 N 3006-9B O'RING		21



MARCHESAN

Technical Publications | Elaboration and Revision

ALESSANDRA PATRICIA KAWAHARA CARRILI

www.marchesan.com.br

