

OFFSET DISK HARROW

GAPCR-HD 8013 MECHANICAL RIGID

Code: 0501092329
Series: S-0915
Revision: 00
Date Revision: FEVEREIRO/2022

PARTS CATALOGUE



MARCHESAN



PRODUCTS

Code	Description
0102060275	GAPCR-HD 8013 29X32X9 DR DM MEC C/ET S-0915
0102060278	GAPCR-HD 8013 29X32X9 DR DM MEC S/ET S-0915
0102060276	GAPCR-HD 8013 29X34X9 DR DM MEC C/ET S-0915
0102060279	GAPCR-HD 8013 29X34X9 DR DM MEC S/ET S-0915
0102060277	GAPCR-HD 8013 29X36X9 DR DM MEC C/ET S-0915
0102060280	GAPCR-HD 8013 29X36X9 DR DM MEC S/ET S-0915
0102060347	GAPCR-HD 8013 31X32X9 DM DR MEC C/ET S/PN S-0915
0102060287	GAPCR-HD 8013 31X32X9 DR DM MEC C/ET S-0915
0102060290	GAPCR-HD 8013 31X32X9 DR DM MEC S/ET S-0915
0102060288	GAPCR-HD 8013 31X34X9 DR DM MEC C/ET S-0915
0102060291	GAPCR-HD 8013 31X34X9 DR DM MEC S/ET S-0915
0102060289	GAPCR-HD 8013 31X36X9 DR DM MEC C/ET S-0915
0102060292	GAPCR-HD 8013 31X36X9 DR DM MEC S/ET S-0915
0102060242	GAPCR-HD 8013 31X36X9 DR MEC C/ET S/PN S-0915
0102060299	GAPCR-HD 8013 33X32X9 DR DM MEC C/ET S-0915
0102060302	GAPCR-HD 8013 33X32X9 DR DM MEC S/ET S-0915
0102060300	GAPCR-HD 8013 33X34X9 DR DM MEC C/ET S-0915
0102060303	GAPCR-HD 8013 33X34X9 DR DM MEC S/ET S-0915
0102060301	GAPCR-HD 8013 33X36X9 DR DM MEC C/ET S-0915
0102060365	GAPCR-HD 8013 33X36X9 DR DM MEC E 2.1/2 ESP S-0915
0102060304	GAPCR-HD 8013 33X36X9 DR DM MEC S/ET S-0915
0102060311	GAPCR-HD 8013 35X32X9 DR DM MEC C/ET S-0915
0102060314	GAPCR-HD 8013 35X32X9 DR DM MEC S/ET S-0915
0102060312	GAPCR-HD 8013 35X34X9 DR DM MEC C/ET S-0915
0102060315	GAPCR-HD 8013 35X34X9 DR DM MEC S/ET S-0915
0102060313	GAPCR-HD 8013 35X36X9 DR DM MEC C/ET S-0915
0102060316	GAPCR-HD 8013 35X36X9 DR DM MEC S/ET S-0915
0102060237	GAPCR-HD 8013 35X36X9,0 DR MEC C/ET S/PN S-0915
0102060323	GAPCR-HD 8013 37X32X9 DR DM MEC C/ET S-0915
0102060326	GAPCR-HD 8013 37X32X9 DR DM MEC S/ET S-0915

ATTENTION: IMPORTANT

Marchesan S.A. reserves the right to improve and/or modify the technical features of its products, without obligation to do the same with those products already sold and without prior knowledge of the dealer or the consumer. The photos are only illustrative.



PRODUCTS

0102060324	GAPCR-HD 8013 37X34X9 DR DM MEC C/ET S-0915
0102060327	GAPCR-HD 8013 37X34X9 DR DM MEC S/ET S-0915
0102060325	GAPCR-HD 8013 37X36X9 DR DM MEC C/ET S-0915
0102060328	GAPCR-HD 8013 37X36X9 DR DM MEC S/ET S-0915
0102060235	GAPCR-HD 8013 37X36X9,0 DR MEC C/ET S/PN S-0915

ATTENTION: IMPORTANT

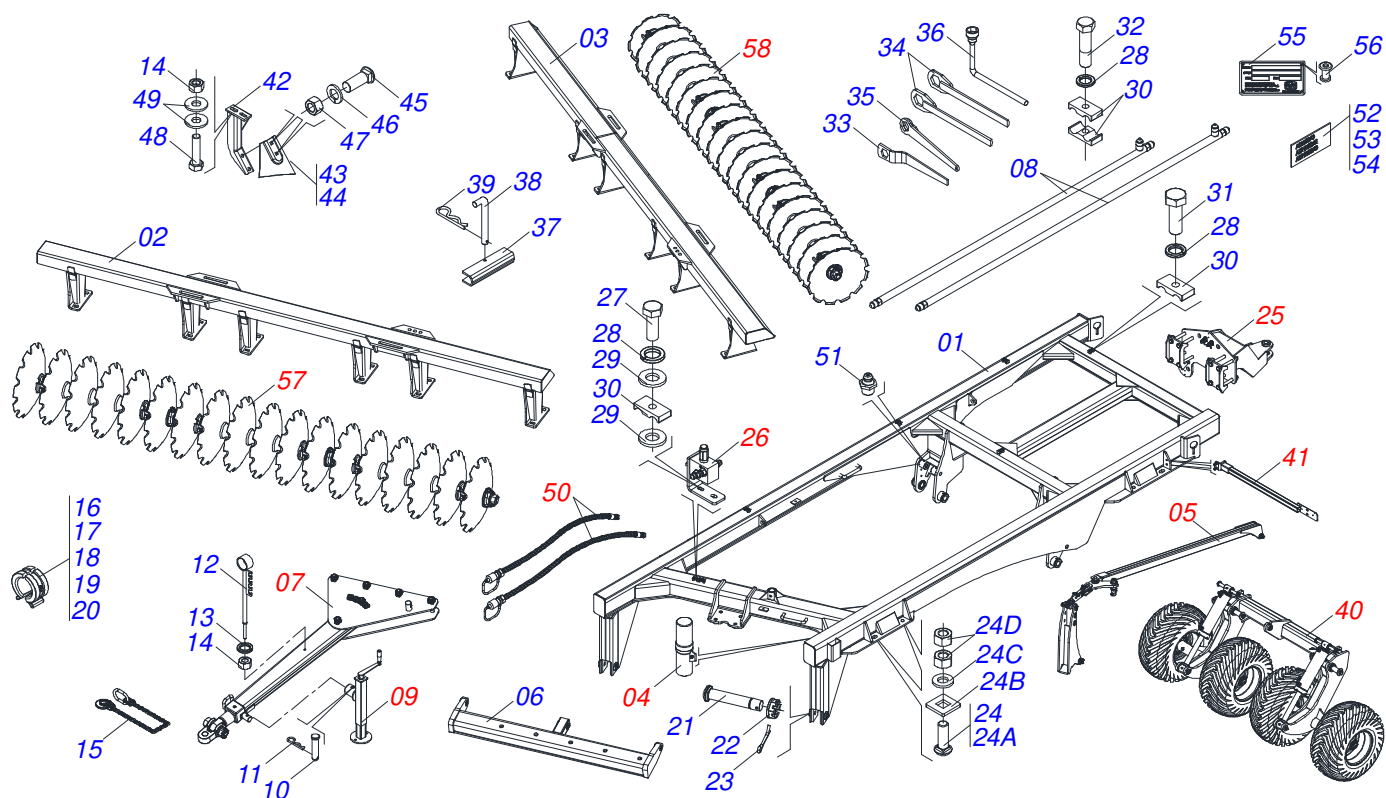
Marchesan S.A. reserves the right to improve and/or modify the technical features of its products, without obligation to do the same with those products already sold and without prior knowledge of the dealer or the consumer. The photos are only illustrative.



MARCHESAN

INDEX

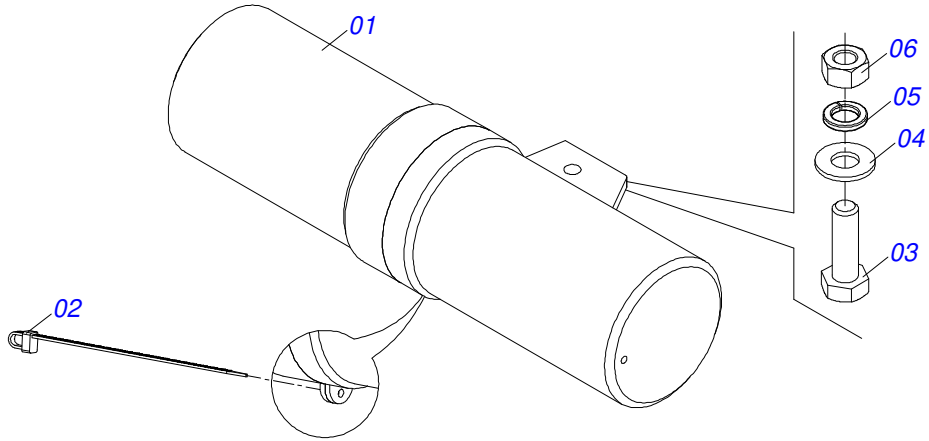
0909094847	29/31/33/35/37D - FRAME ASSY	1
0521052190	MANUAL CANISTER ASSY	2
0909094820	HEAD ARTICULATED ASSY	3
0511059199	STABILIZER BAR REGULATOR EXTENSOR	4
0511041599	2 X 5 X 25,75 X 13,62 HYDRAULIC CYLINDER	5
0521041823	ASSY TRACTION BAR (PIN 3)	6
0531040171	ASSY HITCH	7
0511048088	DRAWBAR JACK	8
0909092741	REAR COUPLING KIT	9
0501053835	FEMALE QUICK COUPLER	10
0511059196	VALVE ASSY	11
0909093678	WHEEL ASSY	12
0521051832	HYDRAULIC CYLINDER 53,98 X 114,30 X 654 X 346	13
0501056467	STUB SHAFT & HUB ASSY	14
0503060102	WHEEL AND TIRE	15
0909093685	LANTERN FIXING ASSY	16
0909094850	HYDRAULIC CIRCUIT	17
0909094849	HYDRAULIC CIRCUIT WITH REAR COUPLING	18
0501053834	MALE QUICK COUPLER	19
0909094851	SECTION BLADES FRONT	20
0909094852	RIGHT SIDE REAR	21
0511042290	13" X 2-1/2" OIL BATH BEARING	22
0511045349	AGRICULTURAL BEARING	23



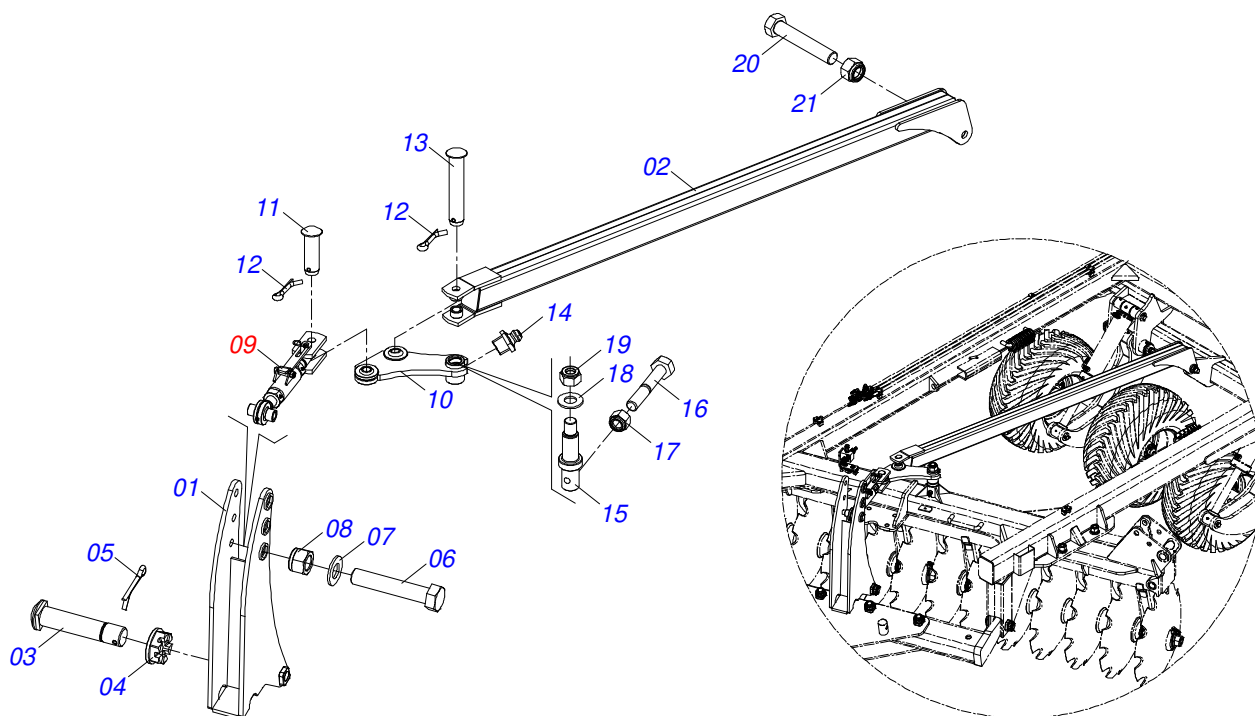
Item	Code	Description	See page	029	031	033	035	037
01	0521066702	FRAME		001	001	001	001	001
01.	0521068243	FRAME		000	000	001	000	000
02	0511066623	FRONT FRAME		000	000	000	000	001
02.	0521062724	FRONT FRAME		000	000	000	001	000
02..	0521062726	FRONT FRAME		000	000	001	000	000
02...	0511066577	FRONT FRAME		000	001	000	000	000
02....	0521062732	FRONT FRAME		001	000	000	000	000
03	0521066747	REAR FRAME		000	000	000	000	001
03.	0521062725	REAR FRAME		000	000	000	001	000
03..	0521062727	REAR FRAME		000	000	001	000	000
03...	0511066578	REAR FRAME		000	001	000	000	000
03....	0521062733	REAR FRAME		001	000	000	000	000
04	0521052190	MANUAL CANISTER ASSY	2	001	001	001	001	001
05	0909094820	HEAD ARTICULATED ASSY	3	001	001	001	001	001
06	0521066699	OFFSET BAR		001	001	001	001	001
06.	0521068250	HITCH BAR		000	000	001	000	000
07	0521041823	ASSY TRACTION BAR (PIN 3)	6	001	001	001	001	001
08	0521066937	DUCT DISTRIBUTOR OF OIL		002	002	002	002	002
09	0511048088	DRAWBAR JACK	8	001	001	001	001	001
10	0561014251	COUPLING SHAFT		001	001	001	001	001
11	0503030012	HAIR PIN		001	001	001	001	001
12	0521062849	HOSE HOLDER ASSY		001	001	001	001	001
12.	0531061120	HOSE SUPPORT		000	000	001	000	000
13	0503010023	3/4" SPRING WASHER		007	007	007	007	007
14	0503010014	3/4" NUT		063	067	071	075	079
15	0503013150	1300 X 3/8 CHAIN		001	001	001	001	001
16	0501047895	ROD STOP		004	004	004	004	004
17	0501047885	ROD STOP		002	002	002	002	002
18	0501047886	ROD STOP		002	002	002	002	002
19	0501047887	ROD STOP		002	002	002	002	002
20	0501047888	ROD STOP		002	002	002	002	002



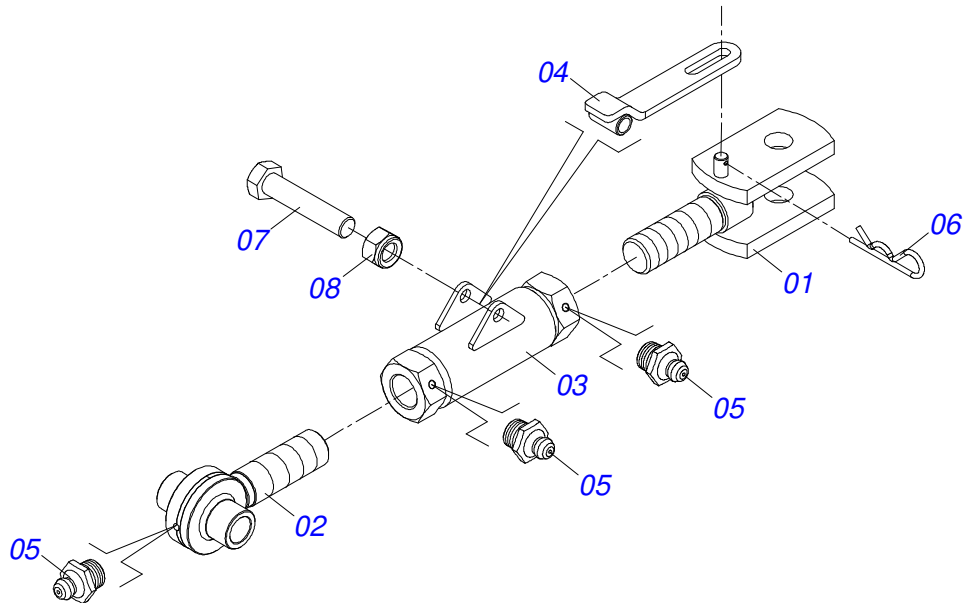
Item	Code	Description	See page	029	031	033	035	037
21	0541014119	37.5 X 195 COUPLING SHAFT		002	002	002	002	002
22	0501011301	1.1/2 UNC 6FPP 2.5/16 NUT		002	002	002	002	002
23	0503010010	1/4" X 2.1/2" COTTERPIN		000	002	002	002	002
24	0521040349	1-1/4" X 5.3/4" BOLT		008	008	008	008	008
24A	0501010954	1-1/4" X 5-3/4" BOLT		008	008	008	008	008
24B	0571010449	LOCK BOLT		008	008	008	008	008
24C	0571010448	SLEEVE 32,50 X 75 X 16		008	008	008	008	008
24D	0501010087	1.1/4" NUT		016	016	016	016	016
25	0909092741	REAR COUPLING KIT	9	001	001	001	001	001
26	0511059196	VALVE ASSY	11	001	001	001	001	001
27	0503011173	7/16" X 2" BOLT		002	002	002	002	002
28	0503010180	7/16" SPRING WASHER		007	007	007	007	007
29	0501012803	FLAT WASHER		004	004	004	004	004
30	0502010477	HOSE CLAMP		009	009	009	009	009
31	0503011135	BOLT		003	003	003	003	003
32	0503011103	7/16" X 2-1/2" BOLT		002	002	002	002	002
33	0501011432	1-1/2" AND 1-5/8 GANG BOLT WRENCH		001	001	001	001	001
34	0501061044	2-1/8" AND 2-1/2" CABLE FLAT WRENCH		002	002	002	002	002
35	0521062858	1.1/4" WRENCH NUT		001	001	001	001	001
36	0503016137	1-1/4" WRENCH CABLE CYLINDER		001	001	001	001	001
37	0561016693	TRANSPORT LOCK		002	002	002	002	002
38	0541016844	FIXER LOCK		002	002	002	002	002
39	0503030285	HAIR PIN		002	002	002	002	002
40	0909093678	WHEEL ASSY	12	001	001	001	001	001
41	0909093685	LANTERN FIXING ASSY	16	001	001	001	001	001
42	0511064771	FRONT SCRAPER SUPPORT		029	031	033	035	037
43	0521013678	FRONT CLEANER		014	015	016	017	018
44	0521013679	REAR CLEANER		015	016	017	018	019
45	0503012195	5/8" NUT		058	062	066	070	074
46	0503010027	5/8" SPRING WASHER		058	062	066	070	074
47	0503010013	5/8" NUT		058	062	066	070	074
48	0501010500	3/4"X3"BOLT		058	062	066	070	074
49	0541010763	FLAT WASHER		116	124	132	140	148
50	0909094850	HYDRAULIC CIRCUIT	17	001	001	001	001	001
50.	0909094849	HYDRAULIC CIRCUIT WITH REAR COUPLING	18	001	001	001	001	001
51	0503010002	1800 GREASE FITTING		008	008	008	008	008
52	0503034064	ADHESIVE		002	002	002	002	002
52.	0503033428	ADHESIVE LABEL		002	002	002	002	002
52..	0503031428	READ MANUAL DECAL		001	001	001	001	001
52...	0503031738	ADHESIVE LABEL		001	001	001	001	001
53	0503031827	LUBRICATE AND RETIGHTEN DAILY DECAL		001	001	001	001	001
53.	0503034078	LIFTING POINTS DECAL		004	004	004	004	004
53..	0503034499	HOSE IDENTIFICATION DECAL		001	001	001	001	001
53...	0503033038	DANGER SIGN		001	001	001	001	001
54	0503031739	ADHESIVE LABEL		001	001	001	001	001
55	0503034003	SERIAL NUMBER TAG 61 X 118		001	001	001	001	001
56	0503010001	3.2 X 5.5 RIVET		004	004	004	004	004
57	0909094851	SECTION BLADES FRONT	20	001	001	001	001	001
58	0909094852	RIGHT SIDE REAR	21	001	001	001	001	001



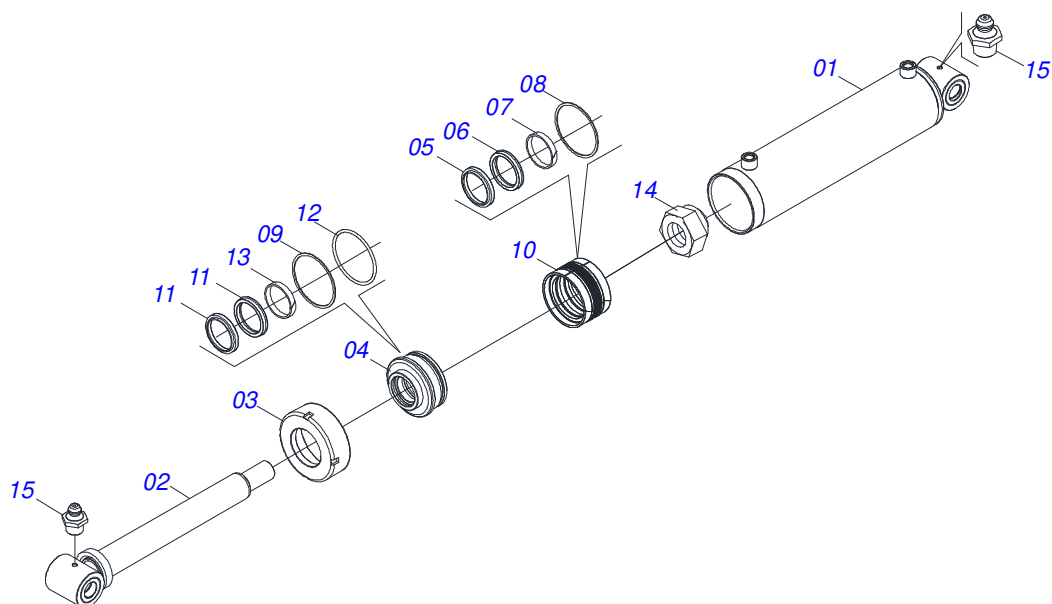
Item	Code	Description	See page	QT
01	0503060100	OPERATOR'S MANUAL STORAGE TUBE		01
02	0503010267	NYLON CLAMP		01
03	0503010363	5/16" X 1" BOLT		01
04	0501010694	FLAT WASHER		01
05	0503010179	LOCK WASHER		01
06	0503010337	5/16" NUT		01



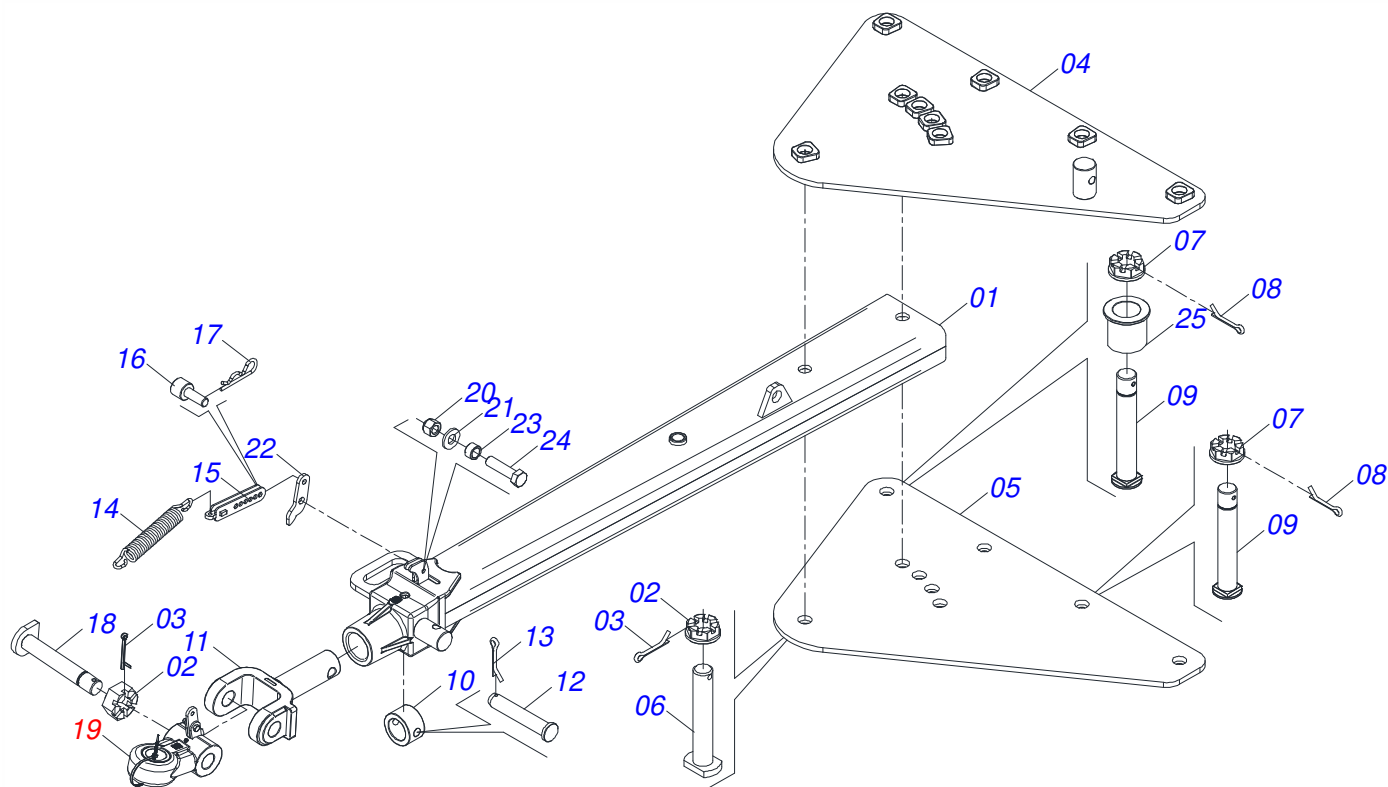
Item	Code	Description	See page	QT
01	0521066758	HEADER ARTICULATOR		01
02	0521066759	STABILIZER BAR		01
03	0521012053	1.5" X 8.6" AXLE		01
04	0501011301	1.1/2 UNC 6FPP 2.5/16 NUT		01
05	0503010010	1/4" X 2.1/2" COTTERPIN		01
06	0521017351	1-1/4" X 8" BOLT		01
07	0501017779	32 X 60 X 4.75 FLAT WASHER		01
08	0503010817	1.1/4" SELF LOCKING NUT		01
09	0511059199	STABILIZER BAR REGULATOR EXTENSOR	4	01
10	0521066960	ARTICULADOR STABILIZER BAR		01
11	0521010780	1.2" X 4.5" COUPLING SHAFT		01
12	0503010523	1/4" X 2" COTTERPIN		02
13	0581811919	AXIS JUNCTION		01
14	0503010002	1800 GREASE FITTING		01
15	0581011775	EJE PIVOT SHAFT STABILIZER BAR		01
16	0501010216	3/4" X 4-1/2" BOLT		01
17	0503011075	3/4" UNC NUT		01
18	0501010287	FLAT WASHER		01
19	0503010290	SELF ADJUSTING 1.1/2" UNF NUT		01
20	0503013321	SCREW 1.1/4 UNF X 7 C S G.8 ZN		01
21	0503010817	1.1/4" SELF LOCKING NUT		01



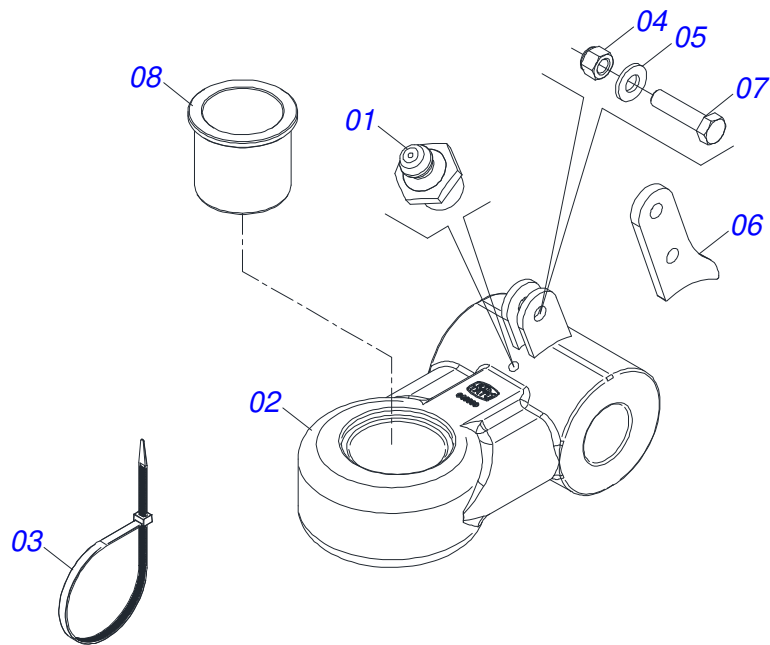
Item	Code	Description	See page	QT
01	0521066962	JACK CRANK C/O. R.1.3/4 ESQUERDO		01
02	0521066965	JACK CRANK NUT FIXER R.1.3/4 UNC DIREITO		01
03	0521066963	ADJUSTMENT NUT R.1.3/4 UNC (245)		01
04	0521066964	LEVER STABILIZER OF TENSOR REGULATOR		01
05	0503010002	1800 GREASE FITTING		03
06	0503030285	HAIR PIN		01
07	0503010806	5/8" X 3" BOLT		01
08	0503010878	5/8" SELF ALIGNING NUT		01



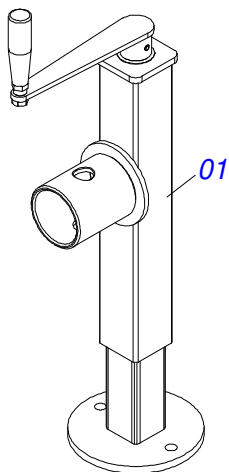
Item	Code	Description	See page	QT
00	0511041599	2 X 5 X 25,75 X 13,62 HYDRAULIC CYLINDER	5	01
01	0511064729	5" X 22" CYLINDER CASE		01
02	0511064728	2" X 23"TURNBUCLE		01
03	0502010382	5" END CAP		01
04	0502011000	2" X 5" RING SUPPORT		01
05	0503010039	D-2000 SCRAPER RING		01
06	0503010991	1870-2000-375-B GASKET		01
07	0503010952	W2-2250-500 RING		01
08	0503010351	2-425 N 3006-9B O'RING		01
09	0503011062	8-425 BACK-UP RING		01
10	0502010963	2.0" X 5.0" PISTON		01
11	0503010552	PACKING 3750-4250-625-B		02
12	0503010345	2-218 N 3006-9B O'RING		01
13	0503010974	W2-5000-500 RING		01
14	0503010817	1.1/4" SELF LOCKING NUT		01
15	0503010002	1800 GREASE FITTING		02
16	0501031961	HYDRAULIC CYLINDER REPAIR KIT		01



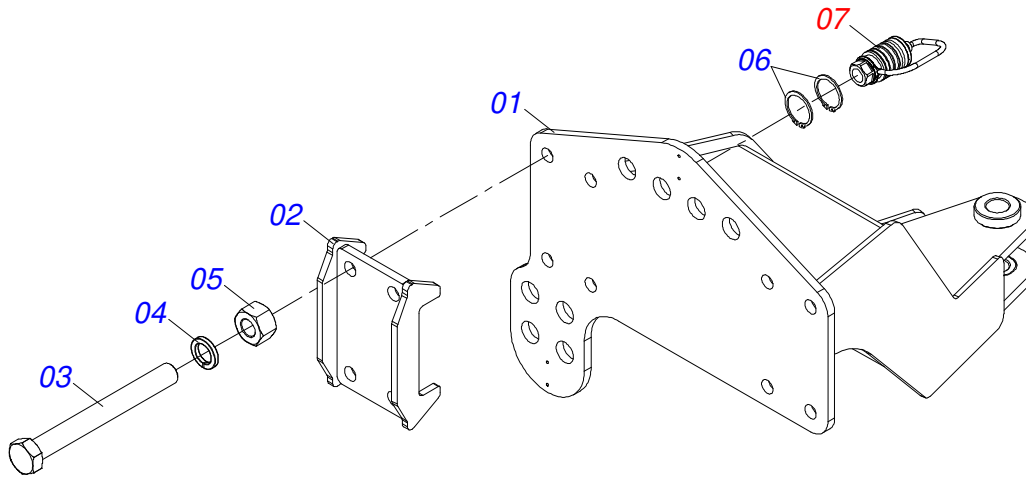
Item	Code	Description	See page	QT
01	0521068249	BAR TRACTION (AXLE 2)		01
02	0502040558	2" CASTLE NUT		02
03	0503010074	3/8 X 0,15" COTTERPIN		02
04	0521068246	UPPER PLATE (AXLE 2)		01
05	0521068247	LOWER PLATE (AXLE 2)		01
06	0521068248	SHAFT JUNCTION WITH LOCK (50,80 X 273)		01
07	0501811301	CASTLE NUT		05
08	0503010010	1/4" X 2.1/2" COTTERPIN		05
09	0521811880	37,50 X 230 X PQ R.1./2 JUNCTION AXLE		05
10	0502040263	ANEL TRAVA ENGATE		01
11	1902040897	TRACTOR HITCH		01
12	0561017306	COUPLING SHAFT		01
13	0503010523	1/4" X 2" COTTERPIN		01
14	0503031741	1.8" X 11.4" 0.3" TRACTION SPRING		01
15	0531061607	SPRING REGULATOR		01
16	0591014558	SPRING REGULATOR FIXER AXLE		01
17	0503030285	HAIR PIN		01
18	0531061122	AXIS ARTICULATOR		01
19	0531040171	ASSY HITCH	7	01
20	0503010589	1/2" UNC SELF ADJUSTING NUT		01
21	0501010937	13.5 X 28 X 3 FLAT WASHER		01
22	0591014554	REAR EAR FIXING SPRING		01
23	0591014552	SLEEVE		01
24	0503010740	BOLT 1/2 UNC X 2 CS G.5 ZN		01
25	0591013086	SLEEVE		01



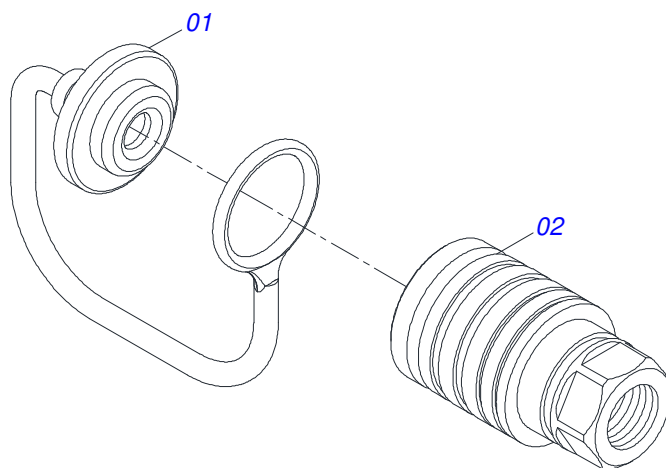
Item	Code	Description	See page	QT
01	0503010002	1800 GREASE FITTING		01
02	0531061121	HITCH		01
03	0503018829	NYLON CLAMP		01
04	0503010589	1/2" UNC SELF ADJUSTING NUT		01
05	0501010937	13.5 X 28 X 3 FLAT WASHER		01
06	0591014555	FRONT EAR FIXING SPRING		01
07	0503010740	BOLT 1/2 UNC X 2 CS G.5 ZN		01
08	0591013448	SLEEVE		01



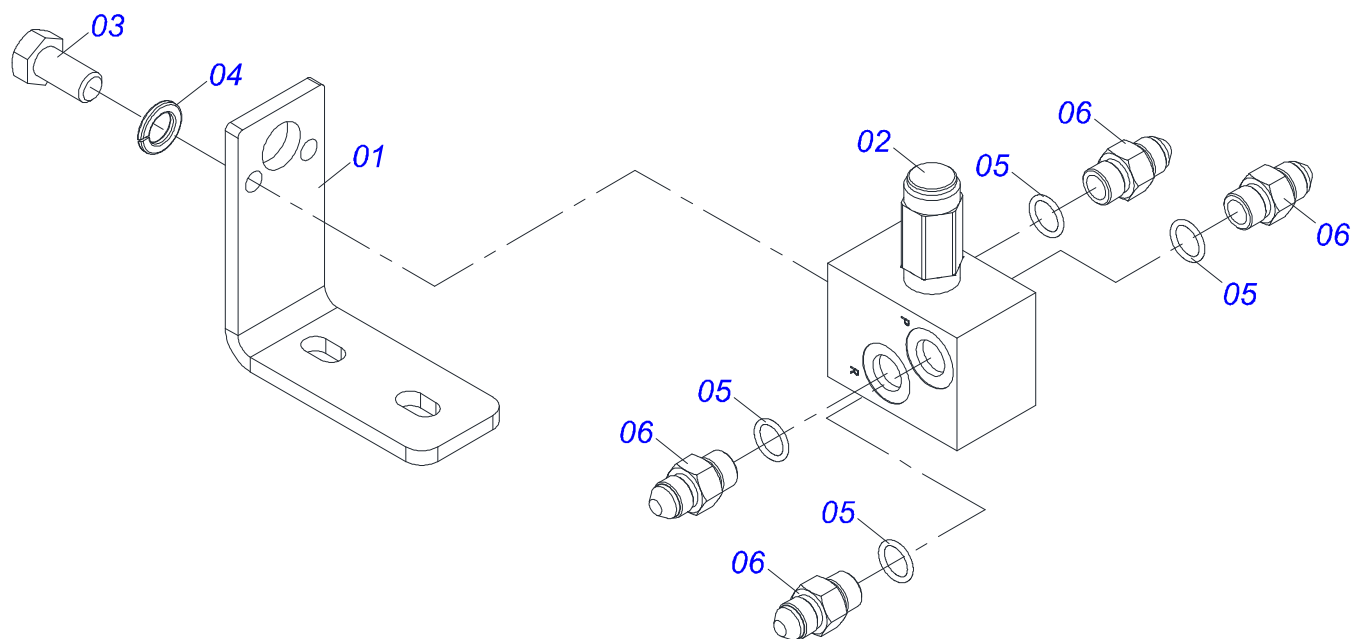
Item	Code	Description	See page	QT
01	0503062227	DRAWBAR JACK		01



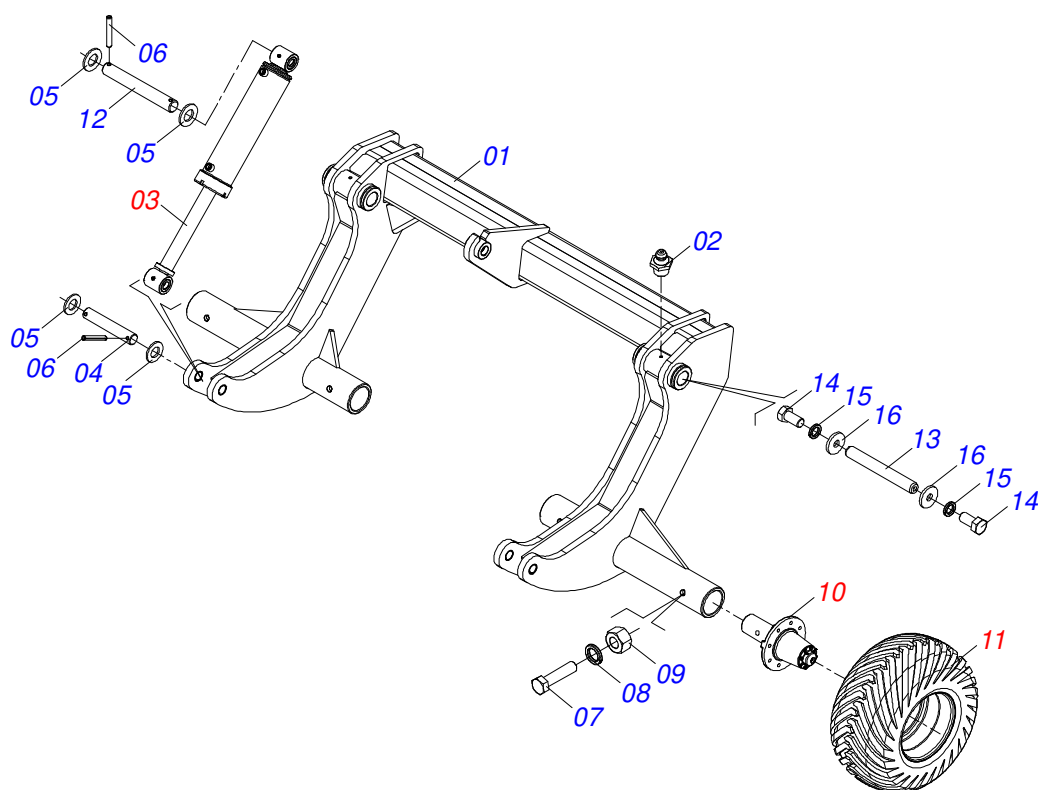
Item	Code	Description	See page	QT
01	0521065966	REAR HITCH		01
02	0521065965	FIXER CLAW		02
03	0501010064	1" X 9" BOLT		08
04	0503010012	1" SPRING WASHER		08
05	0501010059	1.5/8 NUT		08
06	0503010217	501040 CLAMPING RING (FOR AXLE)		04
07	0501053835	FEMALE QUICK COUPLER	10	02



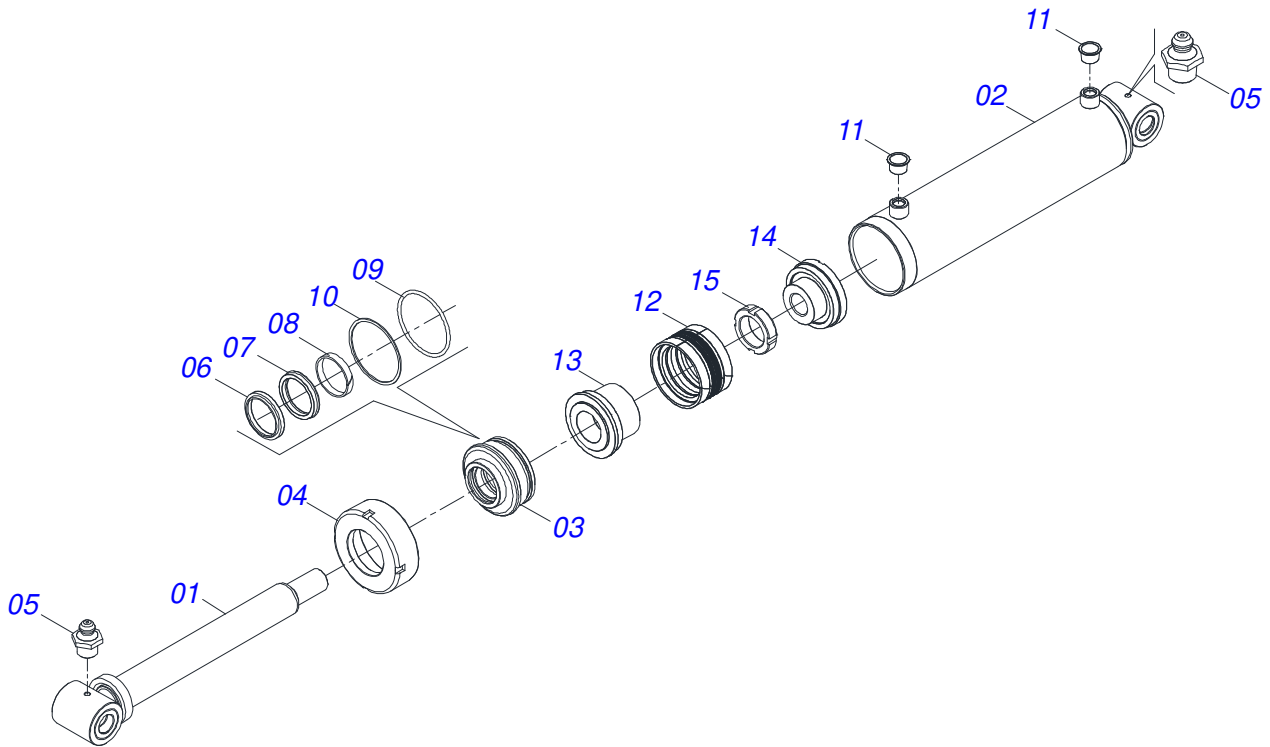
Item	Code	Description	See page	QT
01	0503011883	QUICK CONNECTION COVER		01
02	0503011628	FEMALE QUICK COUPLER		01



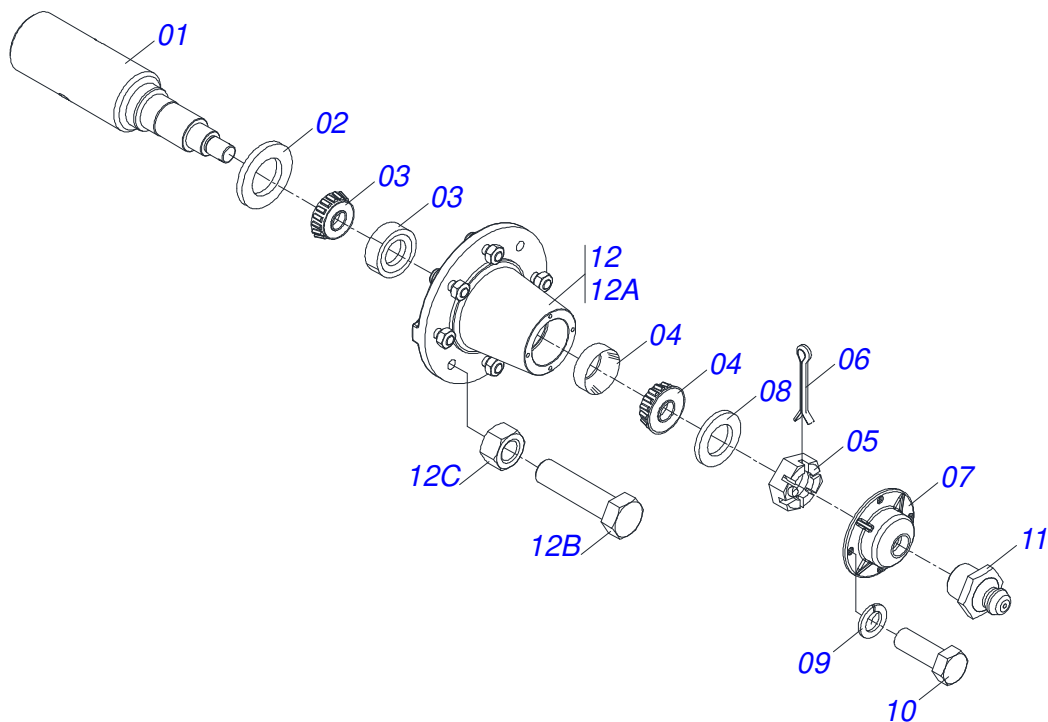
Item	Code	Description	See page	QT
01	0581011745	VALVE SUPPORT		01
02	0503010919	DISCHARGE VALVE		01
03	0503011334	BOLT 3/8 UNC X 3/4 CS G.5 ZN		02
04	0503010025	3/8" SPRING WASHER		02
05	0503010190	2-114 N 3006-9B O'RING		04
06	0501010617	3/4" NIPPLE		04



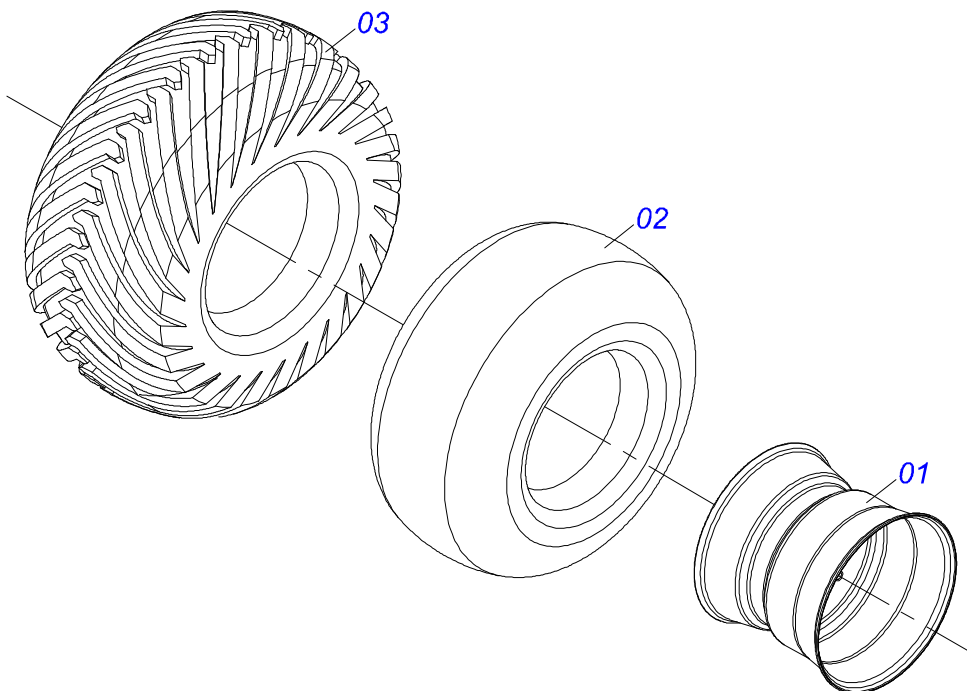
Item	Code	Description	See page	QT
01	0521066478	CARRYNG-WHEELS		01
02	0503010002	1800 GREASE FITTING		02
03	0521051832	HYDRAULIC CYLINDER 53,98 X 114,30 X 654 X 346	13	02
04	0531018101	1.2" X 6.3" PIVOT SHAFT		02
05	0501017779	32 X 60 X 4.75 FLAT WASHER		08
06	0503011877	0.3" X 2.4" SPRING PIN		08
07	0503011198	C3/4" X 6" SCREW		02
08	0503010023	3/4" SPRING WASHER		02
09	0503010014	3/4" NUT		02
10	0501056467	STUB SHAFT & HUB ASSY	14	02
10.	0531051143	WHEEL WITHOUT TIRE 11.25INX8.62INX10F (HOLE 50)		04
11	0503060102	WHEEL AND TIRE	15	02
12	0531018105	1.2" X 11.8" PIVOT SHAFT		02
13	0531018062	COUPLING SHAFT		02
14	0503011250	1" X 2" BOLT		04
15	0503010012	1" SPRING WASHER		04
16	0521011565	FLAT WASHER		04



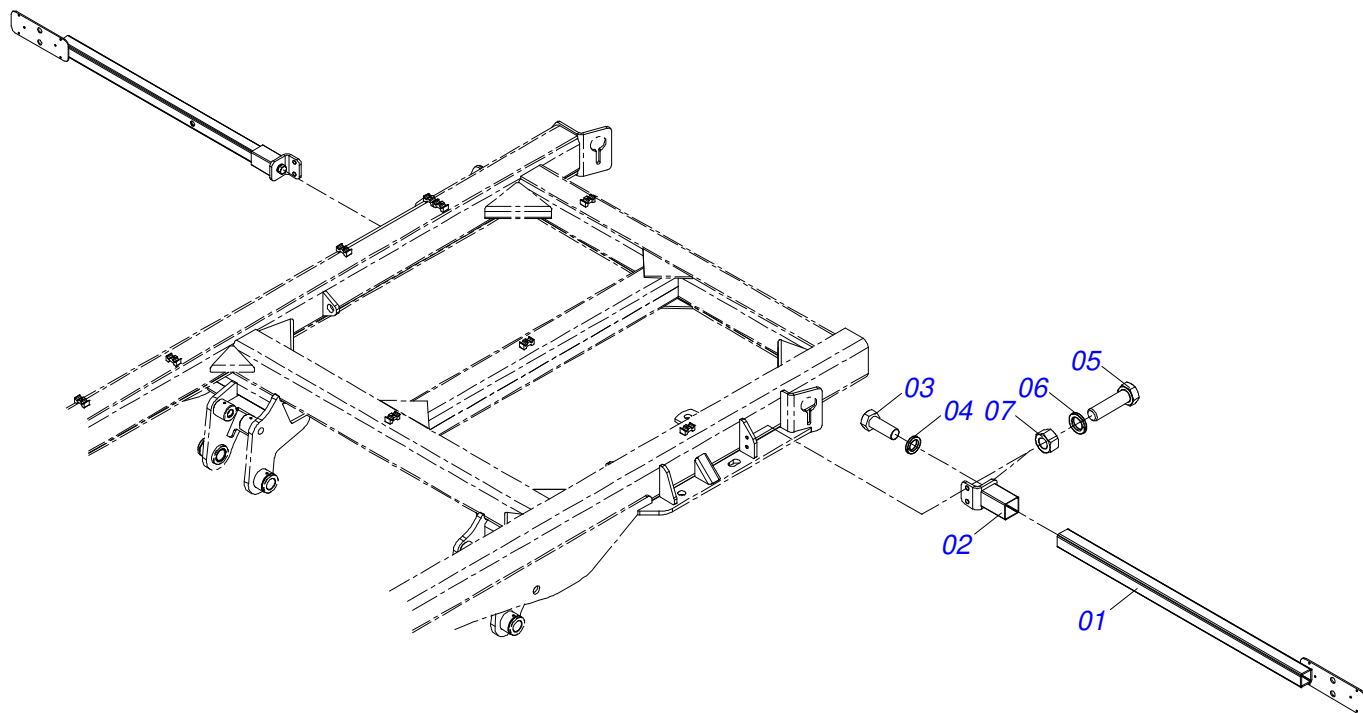
Item	Code	Description	See page	QT
01	0521061684	56,98 X 590,50 TURNBUCKLE		01
02	0521061685	114,30 X 500 CYLINDER CASE		01
03	0502012644	RING SUPPORT		01
04	0502011222	0.56" END CAP		01
05	0503010002	1800 GREASE FITTING		02
06	0503015715	SCRAPER SEALING		01
07	0503015642	U-CUP SEALING		01
08	0503015641	WEAR RING		00
09	0503011892	O' RING, 2-346 N 3006-9B		01
10	0503011893	BACK-UP RING, 8-346		01
11	0503030384	CON PLUG N-001		02
12	0503015640	SEALING SELEMASTER		01
13	0561016578	PISTON BODY		01
14	0581015283	BODY		01
15	0503819100	SCREW		01
16	0501038027	HYDRAULIC CYLINDER REPAIR KIT		01



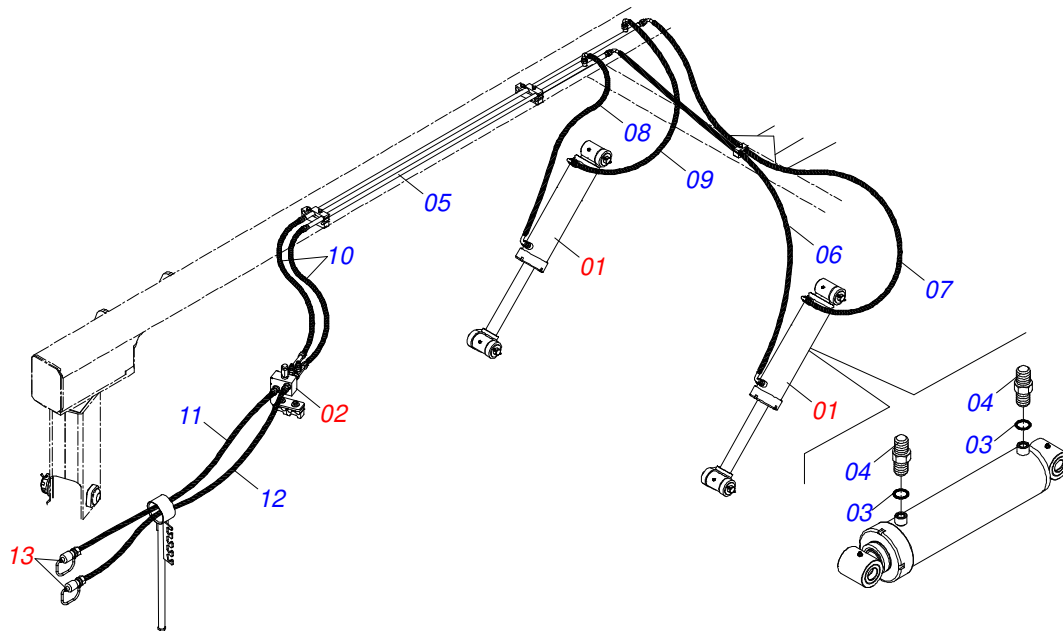
Item	Code	Description	See page	QT
01	0541016566	POINT AXIS 3.1/2 X 375		01
02	0503013314	RETAINER 5166-GB 63,5 X 110 X 13 ARCA		01
03	0503015290	3780/3720 ROLLER BEARING		01
04	0503014821	ROLLER BEARING		01
05	0503830009	1" X 0.9" CASTLE NUT		01
06	0503010018	5/32 X 1-1/2 COTTERPIN		01
07	0502020591	PROTECCION COVER		01
08	0511812492	FLAT WASHER		01
09	0503011444	SPRING WASHER		04
10	0503810358	5/16" X 7/8" UNC BOLT		04
11	0503010002	1800 GREASE FITTING		01
12	0501110738	CARRYING WHEEL HUB		01
12A	0502012260	TRANSPORT WHEEL BOX		01
12B	0501010186	WHEEL SCREW 5/8UNF X 2.1/8CR		08
12C	0503010064	5/8 UNF CONIC NUT		08



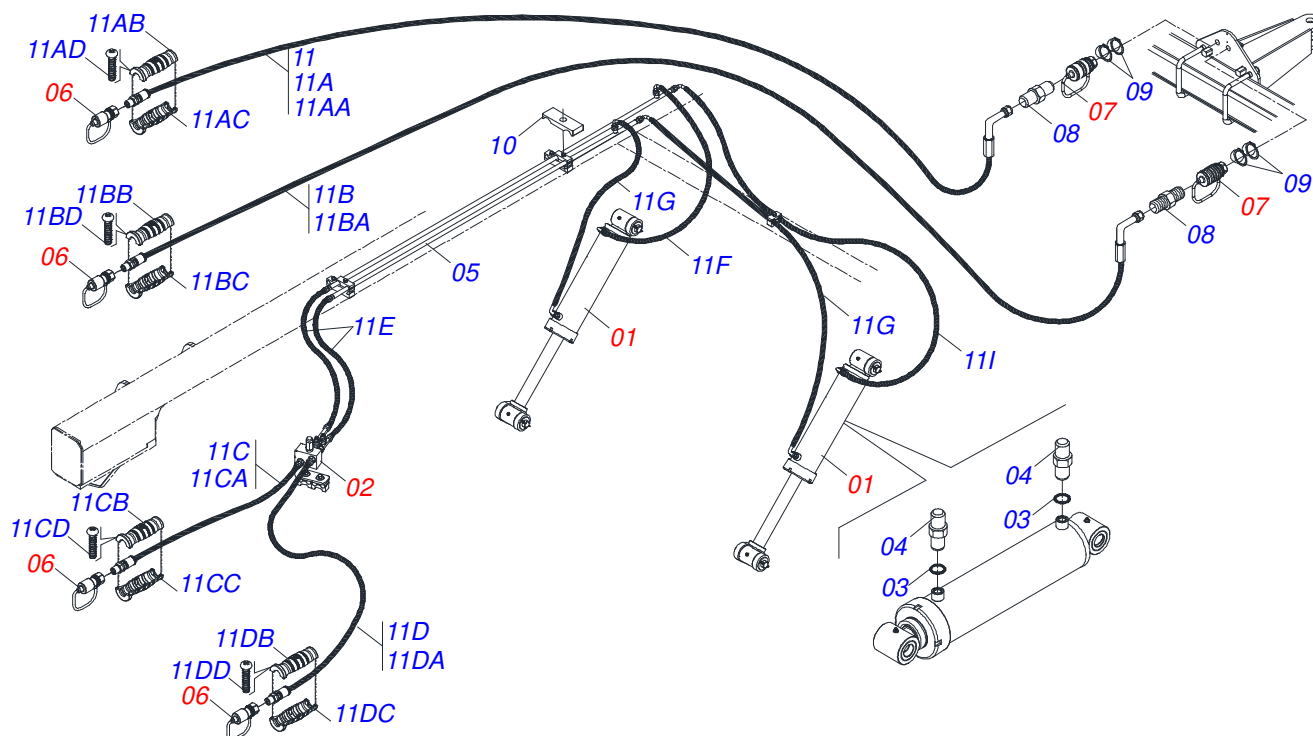
Item	Code	Description	See page	QT
01	0501069483	WHEEL		01
02	0503012112	400/60 - 15.5 TR 15 INNER TIRE		01
03	0503013119	CANVAS TIRE		01



Item	Code	Description	See page	QT
01	0521066443	SUPPORT FIXER LANTERN		02
02	0521066624	FIXER SUPPORT LANTERN		02
03	0501010098	3/4" UNC BOLT		02
04	0503010023	3/4" SPRING WASHER		02
05	0503011082	C1/2" X 1.3/4" SCREW		04
06	0503010019	1/2" SPRING WASHER		04
07	0503010060	1/2" NUT		04



Item	Code	Description	See page	QT
01	0521051832	HYDRAULIC CYLINDER 53,98 X 114,30 X 654 X 346	13	02
02	0511059196	VALVE ASSY	11	01
03	0503010190	2-114 N 3006-9B O'RING		04
04	0501010617	3/4" NIPPLE		04
05	0521066937	DUCT DISTRIBUTOR OF OIL		02
06	0501080432	3/8 X 2600 TC-TC HOSE ASSY		01
07	0501080393	3/8 X 2200 TC-TC HOSE		01
08	0501080065	3/8 X 1200 TC-TC HOSE		01
09	0501080931	3/8" X 39" TC-TC HOSE ASSY		01
10	0501080106	TR-TR HOSE ASSY		02
11	0521052495	HOSE 3/8 X 5500 TR-TM BLACK/RED		01
12	0521052496	HOSE 3/8 X 5500 TR-TM BLACK/BLUE		01
13	0501053834	MALE QUICK COUPLER	19	02



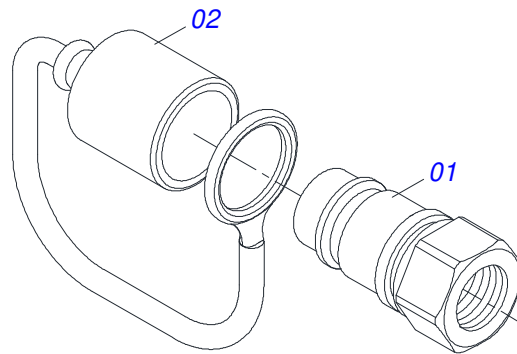
Item	Code	Description	See page	QT
01	0521051832	HYDRAULIC CYLINDER 53,98 X 114,30 X 654 X 346	13	02
02	0511059196	VALVE ASSY	11	01
03	0503010190	2-114 N 3006-9B O'RING		04
04	0501010617	3/4" NIPPLE		04
05	0521066937	DUCT DISTRIBUTOR OF OIL		02
06	0501053834	MALE QUICK COUPLER	19	04
07	0501053835	FEMALE QUICK COUPLER	10	02
08	0571015342	3/4" NIPPLE		02
09	0503010217	501040 CLAMPING RING (FOR AXLE)		04
10	0502010477	HOSE CLAMP		09
11	0521051631	GAPCR-HD 8013 MECHANICAL HOSE SET		01
11A	0521052430	HOSE 3/8 X 12000 TC-TM GRAY / RED		01
11AA	0501082031	HOSE		01
11AB	0503034489	HYDRAULIC HOSE GAUNTLET (GRAY)		01
11AC	0503034495	HYDRAULIC HOSE GRIP (RED)		01
11AD	0503018952	PLASTIC BOLT		06
11B	0521052457	HOSE 3/8 X 12000 TC-TM GRAY / BLUE		01
11BA	0501082031	HOSE		01
11BB	0503034489	HYDRAULIC HOSE GAUNTLET (GRAY)		01
11BC	0503034494	HYDRAULIC HOSE GRIP (BLUE)		01
11BD	0503018952	PLASTIC BOLT		06
11C	0521052495	HOSE 3/8 X 5500 TR-TM BLACK/RED		01
11CA	0501080205	HOSE 3/8 X 5500 TR-TM		01
11CB	0503034492	HYDRAULIC HOSE GRIP (BLACK)		01
11CC	0503034495	HYDRAULIC HOSE GRIP (RED)		01
11CD	0503018952	PLASTIC BOLT		06
11D	0521052496	HOSE 3/8 X 5500 TR-TM BLACK/BLUE		01
11DA	0501080205	HOSE 3/8 X 5500 TR-TM		01
11DB	0503034492	HYDRAULIC HOSE GRIP (BLACK)		01
11DC	0503034494	HYDRAULIC HOSE GRIP (BLUE)		01
11DD	0503018952	PLASTIC BOLT		06



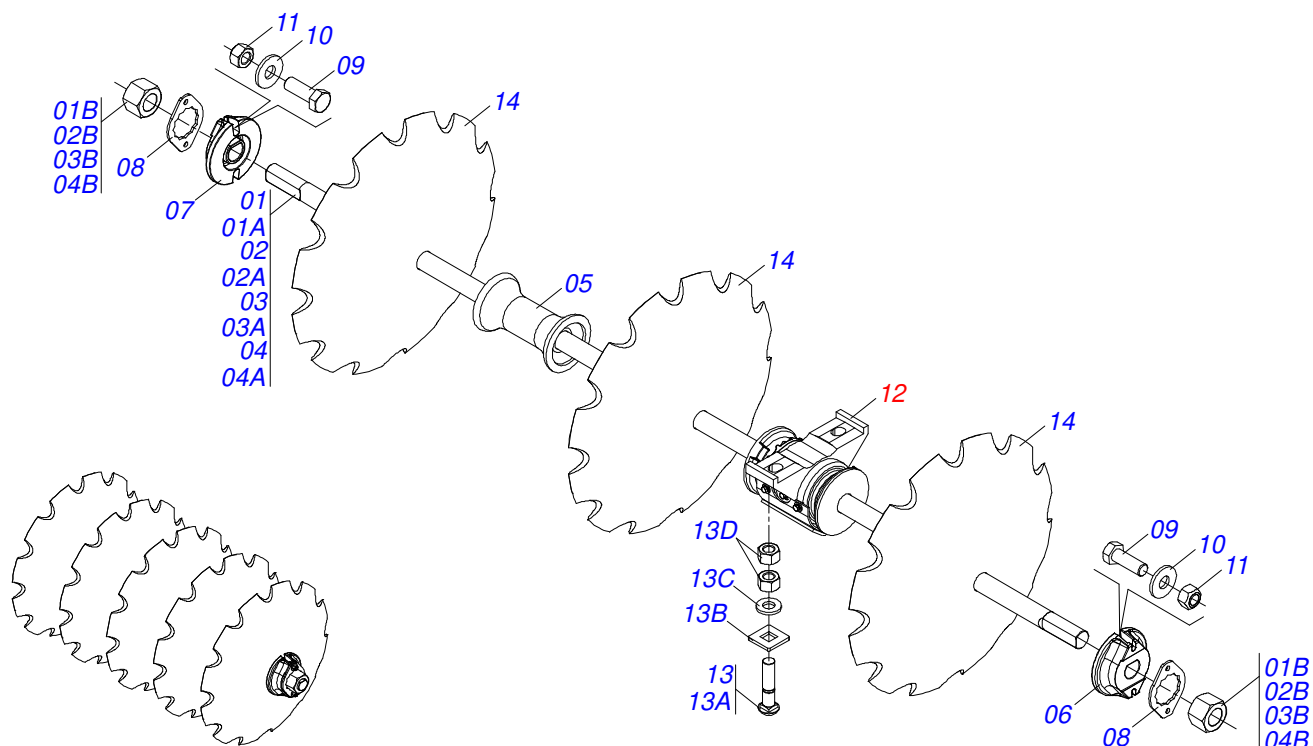
**GAPCR-HD 8013 MECHANICAL RIGID
HYDRAULIC CIRCUIT WITH REAR COUPLING**

Page 18
0909094849

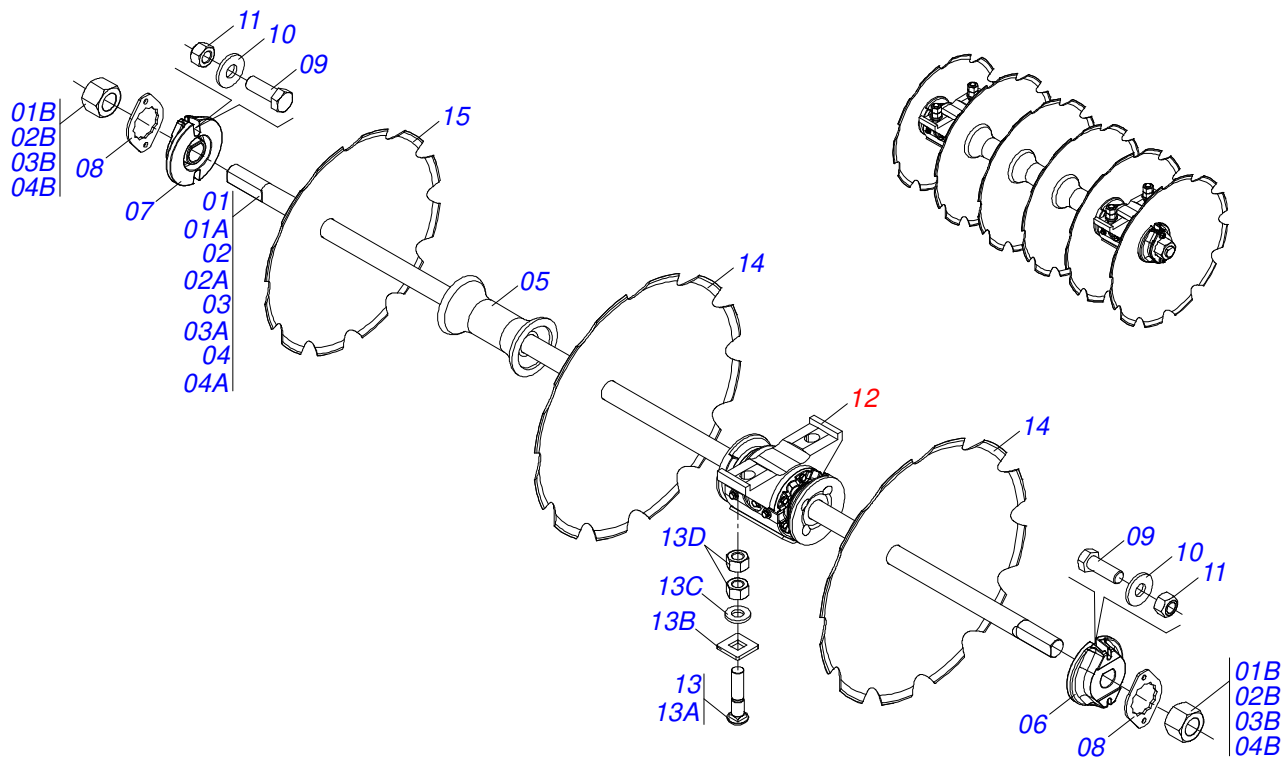
Item	Code	Description	See page	QT
11E	0501080106	TR-TR HOSE ASSY		02
11F	0501080931	3/8" X 39" TC-TC HOSE ASSY		01
11G	0501080065	3/8 X 1200 TC-TC HOSE		01
11H	0501080432	3/8 X 2600 TC-TC HOSE ASSY		01
11I	0501080393	3/8 X 2200 TC-TC HOSE		01



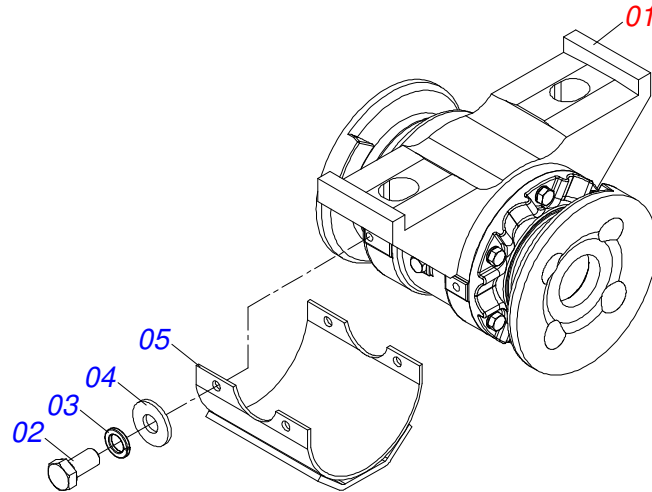
Item	Code	Description	See page	QT
01	0503011627	MALE QUICK COUPLER AGR 1/2 NPT		01
02	0503011882	MALE QUICK COUPLER CAP		01



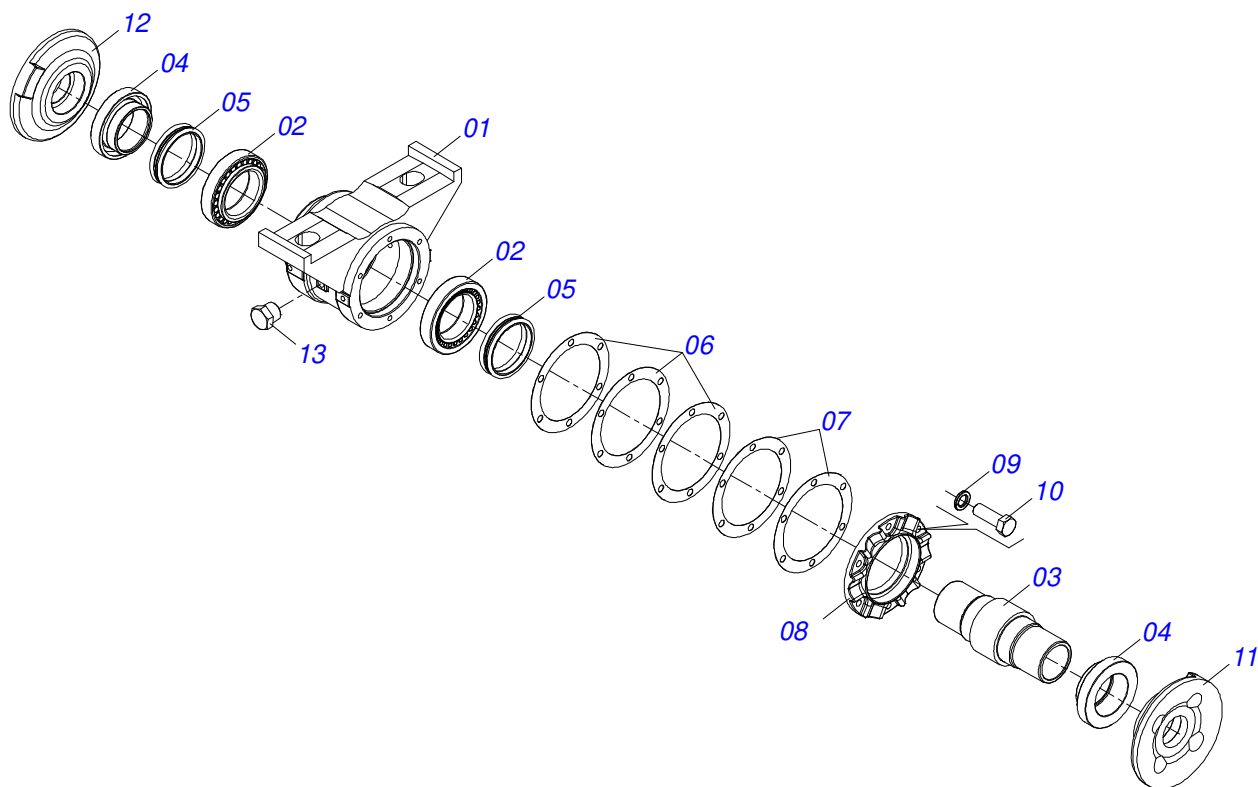
Item	Code	Description	See page	029	031	033	035	037
01	0511042421	2-1/2" X 91.7" AXLE WITH NUTS		002	001	000	000	000
01A	0541011893	2-1/2" X 91.7" AXLE		002	001	000	000	000
01B	0502040064	2.1/2"SNC X 70 99 NUT		004	002	000	000	000
02	0511042422	2-1/2" X 105" AXLE WITH NUTS		000	001	002	001	000
02A	0541011894	2-1/2" X 105" AXLE		000	001	002	001	000
02B	0502040064	2.1/2"SNC X 70 99 NUT		000	002	004	002	000
03	0521040322	AXLE 2.1/2 X 3010		000	000	000	001	000
03A	0571010424	AXLE 2.1/2 X 2995		000	000	000	001	000
03B	0502040064	2.1/2"SNC X 70 99 NUT		000	000	000	002	000
04	0511042484	2-1/2" X 78" AXLE WITH NUTS		000	000	000	000	003
04A	0541012129	2-1/2" X 78" AXLE		000	000	000	000	003
04B	0502040064	2.1/2"SNC X 70 99 NUT		000	000	000	000	006
05	0502011425	13" X 2-1/2" SPACER		008	009	010	011	009
06	0502010593	2-1/2" EXTERNAL AXLE WASHER		002	002	002	002	003
07	0502010592	2-1/2" INNER AXLE WASHER		002	002	002	002	003
08	0541010368	NUT LOCK		004	004	004	004	006
09	0503010232	5/8" X 1.3/4" BOLT		008	008	008	008	012
10	0501012140	FLAT WASHER		008	008	008	008	012
11	0503012412	5/8 UNC SELF LOCKING NUT		008	008	008	008	012
12	0511042290	13" X 2-1/2" OIL BATH BEARING	22	004	004	004	004	006
13	0501041301	1-1/4"X 5-3/4" ASSY BOLT		008	008	008	008	012
13A	0501010954	1-1/4" X 5-3/4" BOLT		008	008	008	008	012
13B	0501010953	1-1/4" SQUARE WASHER		008	008	008	008	012
13C	0531010713	FLAT WASHER		008	008	008	008	012
13D	0501010087	1.1/4" NUT		016	016	016	016	024
14	0602048063	36" X 0.3" NOTCHED DISC BLADE		014	015	016	018	018
14.	0602048004	NOTCHED DISC BLADE		000	015	016	000	000
14..	0602044033	32 X 9MM NOTCHED DISC		014	015	016	018	018
14...	0602046001	34" X 0.3" NOTCHED DISC BLADE		014	015	016	018	018



Item	Code	Description	See page	029	031	033	035	037
01	0511042421	2-1/2" X 91.7" AXLE WITH NUTS		001	000	000	000	001
01A	0541011893	2-1/2" X 91.7" AXLE		001	000	000	000	001
01B	0502040064	2.1/2"SNC X 70 99 NUT		002	000	000	000	002
02	0511042422	2-1/2" X 105" AXLE WITH NUTS		001	002	001	000	000
02A	0541011894	2-1/2" X 105" AXLE		001	002	001	000	000
02B	0502040064	2.1/2"SNC X 70 99 NUT		002	004	002	000	000
03	0521040322	AXLE 2.1/2 X 3010		000	000	001	002	002
03A	0571010424	AXLE 2.1/2 X 2995		000	000	001	002	002
03B	0502040064	2.1/2"SNC X 70 99 NUT		000	000	002	004	004
04	0511042484	2-1/2" X 78" AXLE WITH NUTS		000	000	000	000	002
04A	0541012129	2-1/2" X 78" AXLE		000	000	000	000	002
04B	0502040064	2.1/2"SNC X 70 99 NUT		000	000	000	000	004
05	0502011425	13" X 2-1/2" SPACER		009	009	010	012	010
06	0502010593	2-1/2" EXTERNAL AXLE WASHER		002	002	002	002	003
07	0502010592	2-1/2" INNER AXLE WASHER		002	002	002	002	003
08	0541010368	NUT LOCK		004	004	004	004	006
09	0503010232	5/8" X 1.3/4" BOLT		008	008	008	008	012
10	0501012140	FLAT WASHER		008	008	008	008	012
11	0503012412	5/8 UNC SELF LOCKING NUT		008	008	008	008	012
12	0511042290	13" X 2-1/2" OIL BATH BEARING	22	004	004	004	004	006
13	0501041301	1-1/4"X 5-3/4" ASSY BOLT		008	008	008	008	012
13A	0501010954	1-1/4" X 5-3/4" BOLT		008	008	008	008	012
13B	0501010953	1-1/4" SQUARE WASHER		008	008	008	008	012
13C	0531010713	FLAT WASHER		008	008	008	008	012
13D	0501010087	1.1/4" NUT		016	016	016	016	024
14	0602048063	36" X 0.3" NOTCHED DISC BLADE		014	015	016	017	018
14.	0602048004	NOTCHED DISC BLADE		014	015	016	017	018
14..	0602046001	34" X 0.3" NOTCHED DISC BLADE		014	015	016	016	018
15	0602044033	32 X 9MM NOTCHED DISC		001	001	001	001	001
15.	0602037127	DR28X9 C102AF04FR2.9/16 10REC TATU		001	001	001	001	001
15..	0602040108	30" X 0.3" NOTCHED DISC BLADE		001	001	001	001	001



Item	Code	Description	See page	QT
01	0511045349	AGRICULTURAL BEARING	23	01
02	0503010834	1/2 X 1 BOLT		04
03	0503010019	1/2" SPRING WASHER		04
04	0511017302	FLAT WASHER		04
05	0521067034	BEARING PROTECTIVE COVER WITH REINFORCEMENT		01



Item	Code	Description	See page	QT
01	0502012218	13" 2-1/2" HOUSING BEARING		01
02	0503010482	594A/592A ROLLER BEARING		02
03	0502040204	AXLE		01
04	0502040119	SEAL RETAINER		02
05	0503030029	SEAL # LP JB-259		02
06	0503030537	8.3" X 6.3" X 0.01" JOINT		03
07	0503030687	8.3" X 6.3" X 0.004" JOINT		02
08	0502010644	HOUSING CAP DM		01
09	0503011440	SPRING WASHER		06
10	0503010920	1/2" X 1.1/2" BOLT		06
11	0502012239	BEARING OUTER FLANGE		01
12	0502012238	BEARING INNER FLANGE		01
13	0503010856	OIL PLUG		02



MARCHESAN

Technical Publications | Elaboration and Revision

ALESSANDRA PATRICIA KAWAHARA CARRILI

www.marchesan.com.br

