

OFFSET DISK HARROW

GAPCR-HD 8013 RIGID HYDRAULIC

Code: 0501092328
Series: S-0814
Revision: 00
Date Revision: SETEMBRO/2018

PARTS CATALOGUE



MARCHESAN



PRODUCTS

Code	Description
0102060236	GAPCR-HD 8013 21X32X9 DR DM S-0814
0102060216	GAPCR-HD 8013 21X36X9 DR DM S-0814
0102060217	GAPCR-HD 8013 23X36X9 DR DM S-0814
0102060238	GAPCR-HD 8013 25 X 34 X 9 DM DR S/PN S-0814
0102060231	GAPCR-HD 8013 25 X 34 X 9 DR DM S-0814
0102060218	GAPCR-HD 8013 25X36X9 DR DM S-0814

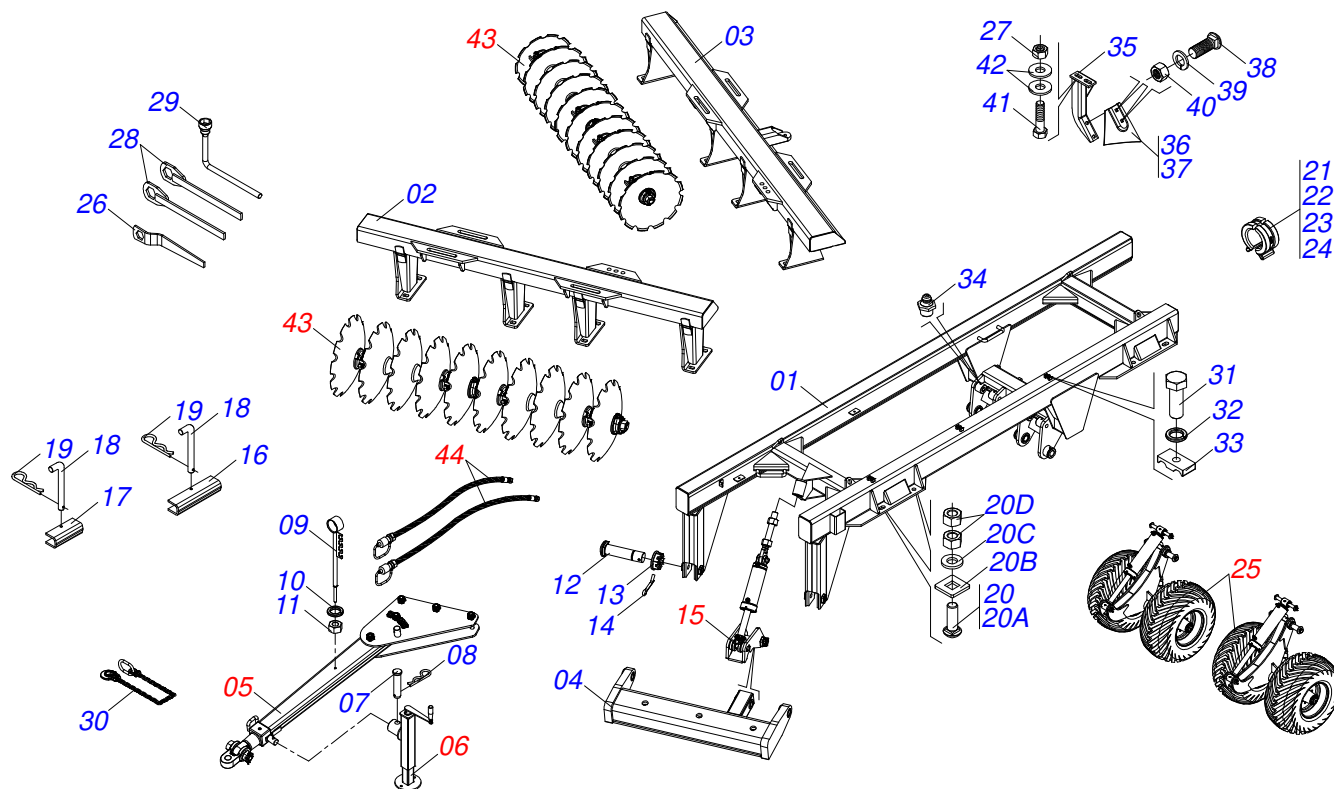
ATTENTION: IMPORTANT

Marchesan S.A. reserves the right to improve and/or modify the technical features of its products, without obligation to do the same with those products already sold and without prior knowledge of the dealer or the customer. The photos are only illustrative.



INDEX

0909093427	FRAME ASSY - 21/23/25D	1
0511045200	ASSY TRACTION BAR WITH HITCH 3	2
0511048088	DRAWBAR JACK	3
0909094855	HEAD ARTICULATED ASSY	4
0511058419	HYDRAULIC CYLINDER 50,80 X 101,60 X 514 X 206	5
0909094871	WHEEL ASSY	6
0501056467	STUB SHAFT & HUB ASSY	7
0503060102	WHEEL AND TIRE	8
0521051832	HYDRAULIC CYLINDER 53,98 X 114,30 X 654 X 346	9
0909094875	21/23/25D - DISC GANG SECTION	10
0511042290	13" X 2-1/2" OIL BATH BEARING	11
0511045349	AGRICULTURAL BEARING	12
0909094877	21/23/25D - HYDRAULIC CIRCUIT	13
0501053834	MALE QUICK COUPLER	14

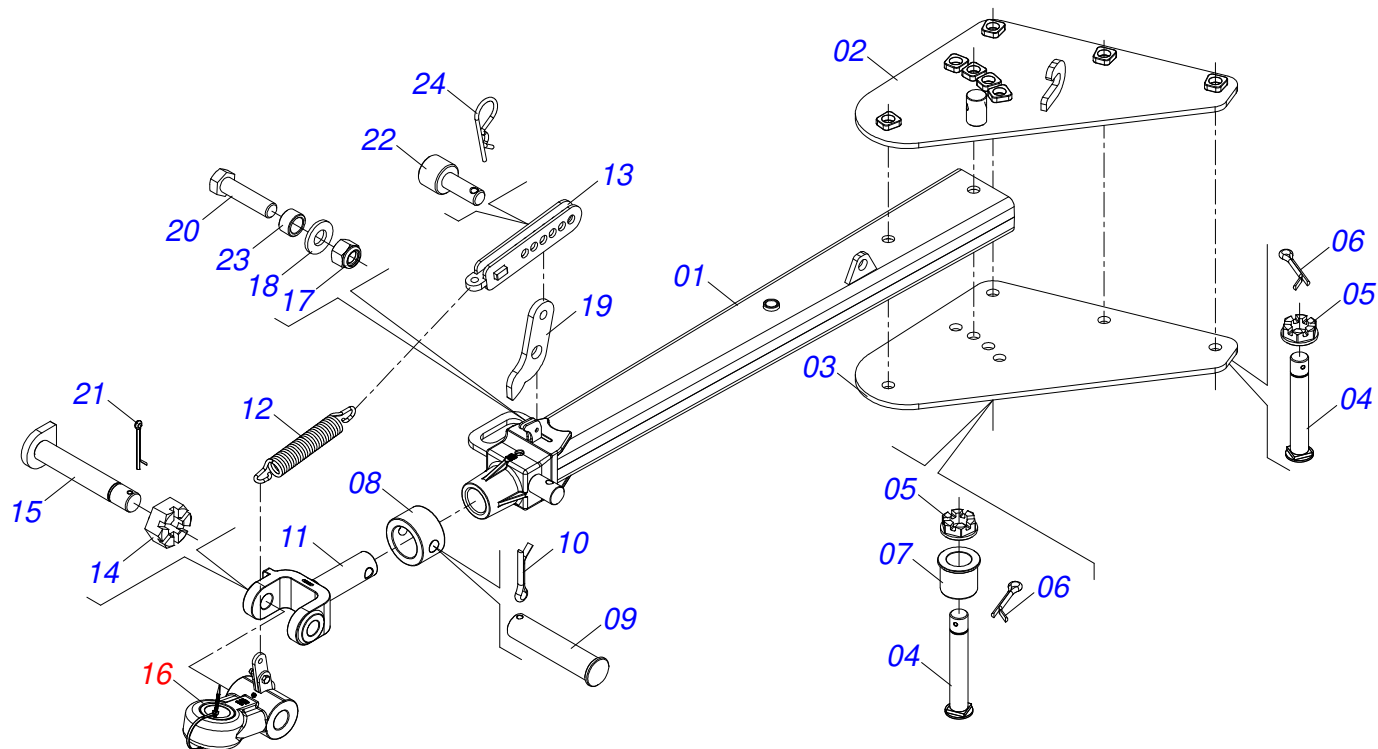


Item	Code	Description	See page	021	023	025
01	0511067822	FRAME		001	001	001
02	0521065440	21 FRONT FRAME		001	000	000
02.	0521065442	FRONT FRAME		000	001	000
02..	0521065444	FRONT FRAME GAPCR-HD 8013 25D		000	000	001
03	0521065441	REAR FRAME		001	000	000
03.	0521065443	23 REAR FRAME		000	001	000
03..	0521065445	REAR FRAME GAPCR-HD 8013 25D		000	000	001
04	0511067827	1100 OFFSET BAR		001	001	001
05	0511045200	ASSY TRACTION BAR WITH HITCH 3	2	001	001	001
06	0511048088	DRAWBAR JACK	3	001	001	001
07	0561014251	COUPLING SHAFT		001	001	001
08	0503030012	HITCH PIN CLIP		001	001	001
09	0521062849	HOSE HOLDER ASSY		001	001	001
10	0503010023	3/4" SPRING WASHER		001	001	001
11	0503010014	3/4" HEX NUT		001	001	001
12	0541014119	37.5 X 195 COUPLING SHAFT		002	002	002
13	0501011301	1.1/2 UNC 6FPP 2.5/16 NUT		002	002	002
14	0503010010	1/4" X 2.1/2" COTTERPIN		002	002	002
15	0909094855	HEAD ARTICULATED ASSY	4	001	001	001
16	0561016693	TRANSPORT LOCK		002	002	002
17	0551010332	TRANSPORT LOCK		001	001	001
18	0541016844	FIXER LOCK		003	003	003
19	0503030285	HITCH PIN CLIP		003	003	003
20	0521040349	1-1/4" X 5.3/4" BOLT		008	008	008
20A	0501010954	1.1/4" X 5.3/4" BOLT		008	008	008
20B	0571010449	LOCK BOLT		008	008	008
20C	0571010448	32,50 X 75 X 16 SLEEVE		008	008	008
20D	0501010087	1.1/4" NUT		008	008	008
21	0501047895	25 ROD STOP		009	009	009
22	0501047885	30 ROD STOP		006	006	006
23	0501047887	40 ROD STOP		003	003	003

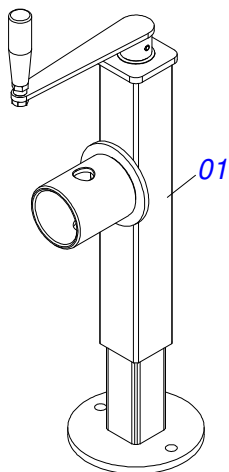


**GAPCR-HD 8013 RIGID HYDRAULIC
FRAME ASSY - 21/23/25D**

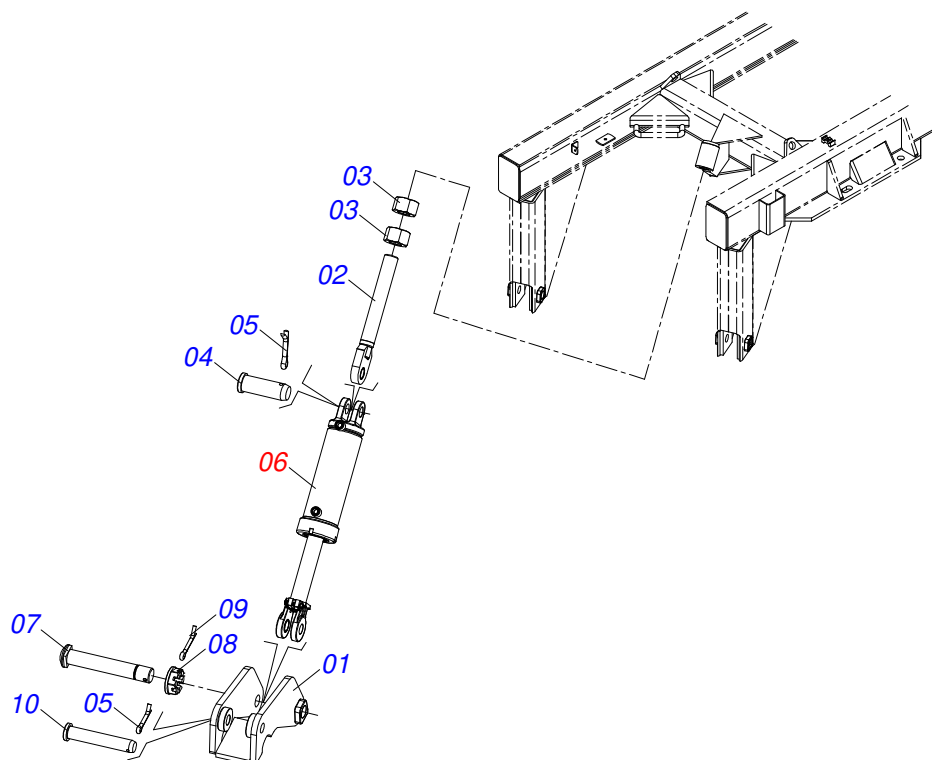
Item	Code	Description	See page	021	023	025
24	0501047886	35 ROD STOP		003	003	003
25	0909094871	WHEEL ASSY	6	001	001	001
26	0501011432	1-1/2" AND 1-5/8 GANG BOLT WRENCH		001	001	001
27	0503010014	3/4" HEX NUT		042	046	050
28	0501061044	2-1/8" AND 2-1/2" CABLE FLAT WRENCH		002	002	002
29	0503016137	1-1/4" WRENCH CABLE CYLINDER		001	001	001
30	0503013150	1300 X 3/8 CHAIN		001	001	001
31	0503012555	SCREW 7/16 UNC X 2 CS RT G.7 ZN		004	004	004
32	0503010180	7/16" SPRING WASHER		004	004	004
33	0502012702	BODY SUPPORT CLAMP		004	004	004
34	0503010002	1800 GREASE FITTING		009	009	009
35	0511064771	FRONT SCRAPER SUPPORT		021	023	025
36	0521013678	FRONT CLEANER		010	011	012
37	0521013679	REAR CLEANER		011	012	013
38	0503012195	5/8" NUT		042	046	050
39	0503010027	5/8 SPRING WASHER		058	062	066
40	0503010013	5/8 NUT		058	062	066
41	0501010500	3/4" X 3" BOLT		042	046	050
42	0541010763	FLAT WASHER		084	092	100
43	0909094875	21/23/25D - DISC GANG SECTION	10	001	001	001
44	0909094877	21/23/25D - HYDRAULIC CIRCUIT	13	001	001	001



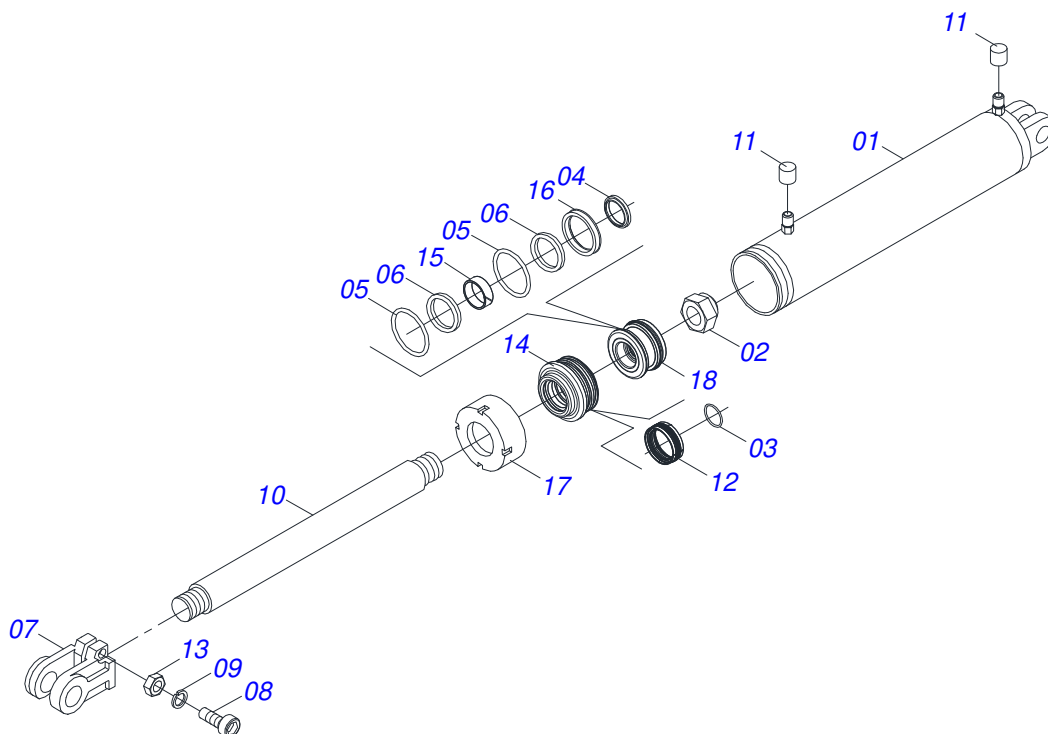
Item	Code	Description	See page	QT
01	0511064669	DRAWBAR ASSY	01	01
02	0511067825	UPPER PLATE	01	01
03	0511067826	LOWER PLATE	01	01
04	0521011880	37,5 X 242 COUPLING SHAFT	05	05
05	0501011301	1.1/2 UNC 6FPP 2.5/16 NUT	05	05
06	0503010010	1/4" X 2.1/2" COTTERPIN	05	05
07	0591013086	SLEEVE	01	01
08	0502040263	ANEL TRAVA ENGATE	01	01
09	0561017306	COUPLING SHAFT	01	01
10	0503010523	1/4" X 2" SPLIT PIN	01	01
11	1902040897	TRACTOR HITCH	01	01
12	0503031741	1.8" X 11.4" 0.3" TRACTION SPRING	01	01
13	0531061607	SPRING REGULATOR	01	01
14	0502040558	2" CASTLE NUT	01	01
15	0531061122	AXIS ARTICULATOR	01	01
16	0531040171	ASSY HITCH	01	01
17	0503010589	1/2" UNC SELF ADJUSTING NUT	01	01
18	0501010937	13,50 X 28 X 3,00 FLAT WASHER	01	01
19	0591014554	REAR EAR FIXING SPRING	01	01
20	0503010740	BOLT 1/2 UNC X 2 CS G.5 ZN	01	01
21	0503010074	3/8 X 0,15" COTTERPIN	01	01
22	0591014558	SPRING REGULATOR FIXER AXLE	01	01
23	0591014552	SLEEVE	01	01
24	0503030285	HITCH PIN CLIP	01	01



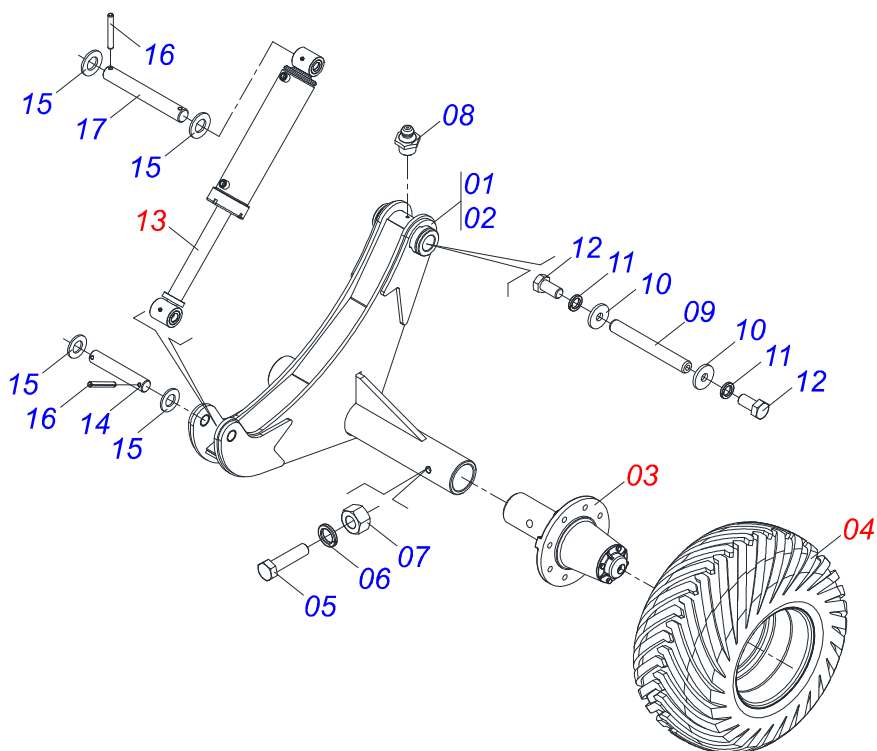
Item	Code	Description	See page	QT
01	0503062227	DRAWBAR JACK		01



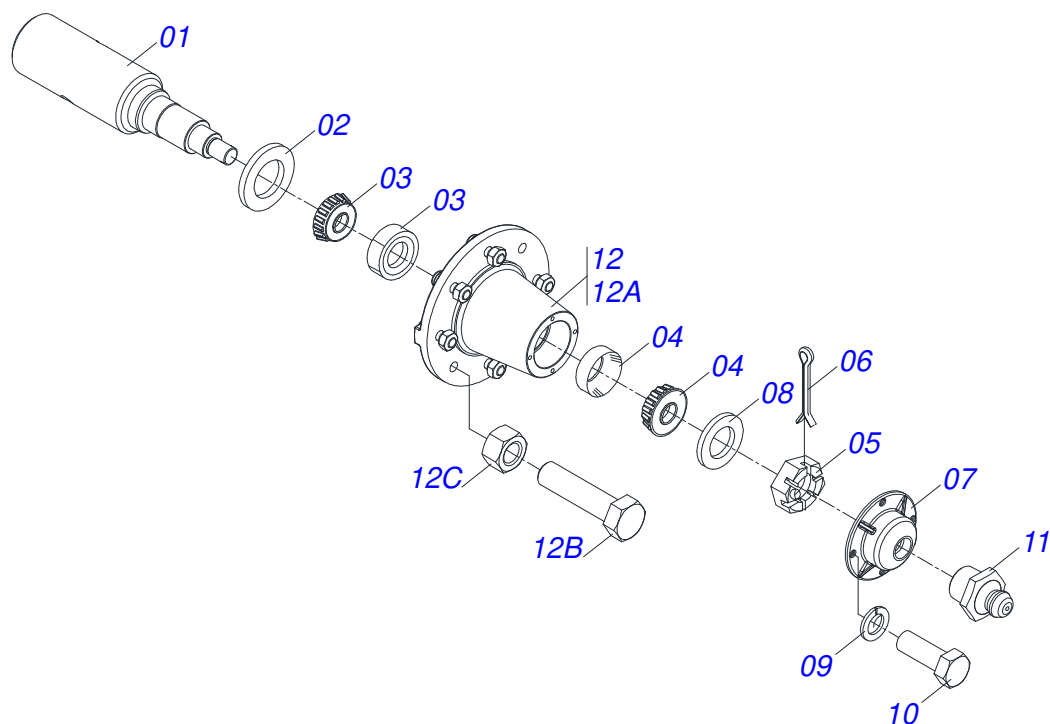
Item	Code	Description	See page	QT
01	0511064656	DRAWBAR PIVOT		01
02	0511064433	REGULATOR SPINDLE 1-3/4		01
03	0501010333	1.3/4" NUT		02
04	0521012538	1.2" X 3.5" COUPLING SHAFT		01
05	0503010523	1/4" X 2" SPLIT PIN		02
06	0511058419	HYDRAULIC CYLINDER 50,80 X 101,60 X 514 X 206	5	01
07	0521012053	1.5" X 8.6" AXLE		01
08	0501011301	1.1/2 UNC 6FPP 2.5/16 NUT		01
09	0503010010	1/4" X 2.1/2" COTTERPIN		01
10	0531019171	1.25" X 7" COUPLING SHAFT		01



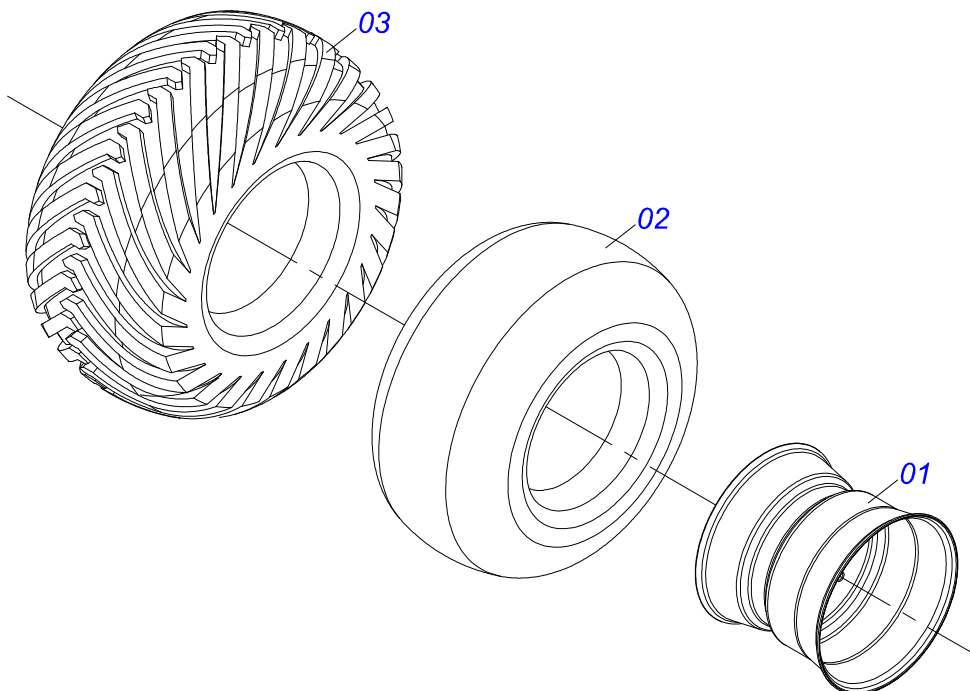
Item	Code	Description	See page	QT
01	0511061336	101,6 X 398 CYLINDER CASE		01
02	0503010817	1.1/4" SELF LOCKING NUT		01
03	0503010345	2-218 N 3006-9B O'RING		01
04	0503015636	SCRAPER SEAL		01
05	0503010338	2-342 N 3006-9B O'RING		02
06	0503011061	8-342 BACK-UP RING		02
07	0502040747	32.54 CLEVIS CLAMP		01
08	0503011094	3/8" X 2" BOLT		01
09	0503011443	3/8" SPRING WASHER		01
10	0521010422	HYDRAULIC CYLINDER TURNBUCKLE		01
11	0503030384	CON PLUG N-001		02
12	0503015633	SELEMASTER SEALING		01
13	0503010026	3/8" NUT		01
14	0581010678	50,80 X 101 RING SUPPORT		01
15	0503018025	RING GUIDE		01
16	0503018026	1870-2000-375 B GASKET		01
17	0502012822	101.60 END CAP		01
18	0502012842	50,80 X 101,60 PISTON		01
19	0511032511R	HYDRAULIC CYLINDER REPAIR KIT		01



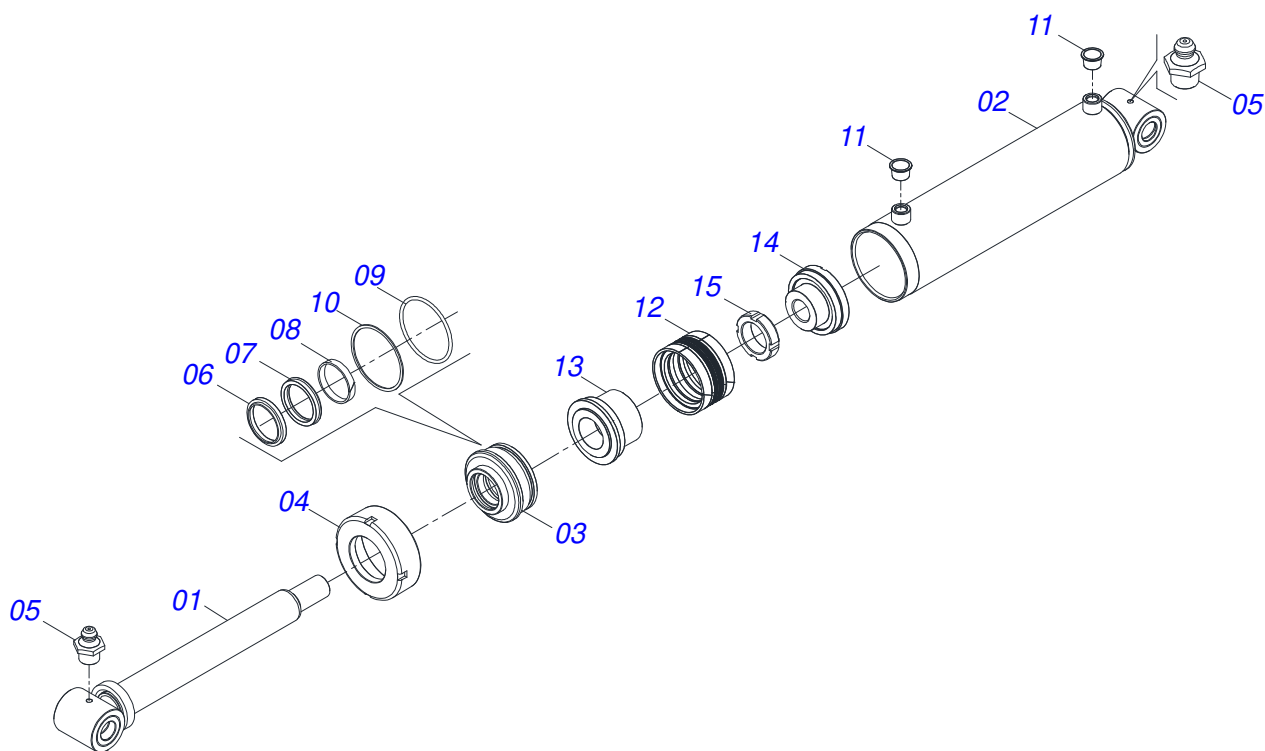
Item	Code	Description	See page	QT
01	0511066611	LEFT CARRYING-WHEELS SUPPORT		01
02	0511066741	RIGHT CARRYING-WHEELS SUPPORT		01
03	0501056467	STUB SHAFT & HUB ASSY	7	04
04	0503060102	WHEEL AND TIRE	8	04
05	0503013185	3/4" X 5-1/2" BOLT		04
06	0503010023	3/4" SPRING WASHER		04
07	0503010014	3/4" HEX NUT		04
08	0503010002	1800 GREASE FITTING		02
09	0531018062	COUPLING SHAFT		02
10	0521011565	FLAT WASHER		04
11	0503010012	1" SPRING WASHER		04
12	0503011250	1" X 2" BOLT		04
13	0521051832	HYDRAULIC CYLINDER 53,98 X 114,30 X 654 X 346	9	02
14	0531018101	1.2" X 6.3" PIVOT SHAFT		02
15	0501017779	32 X 60 X 4.75 FLAT WASHER		08
16	0503011877	0.3" X 2.4" SPRING PIN		08
17	0531018105	1.2" X 11.8" PIVOT SHAFT		02



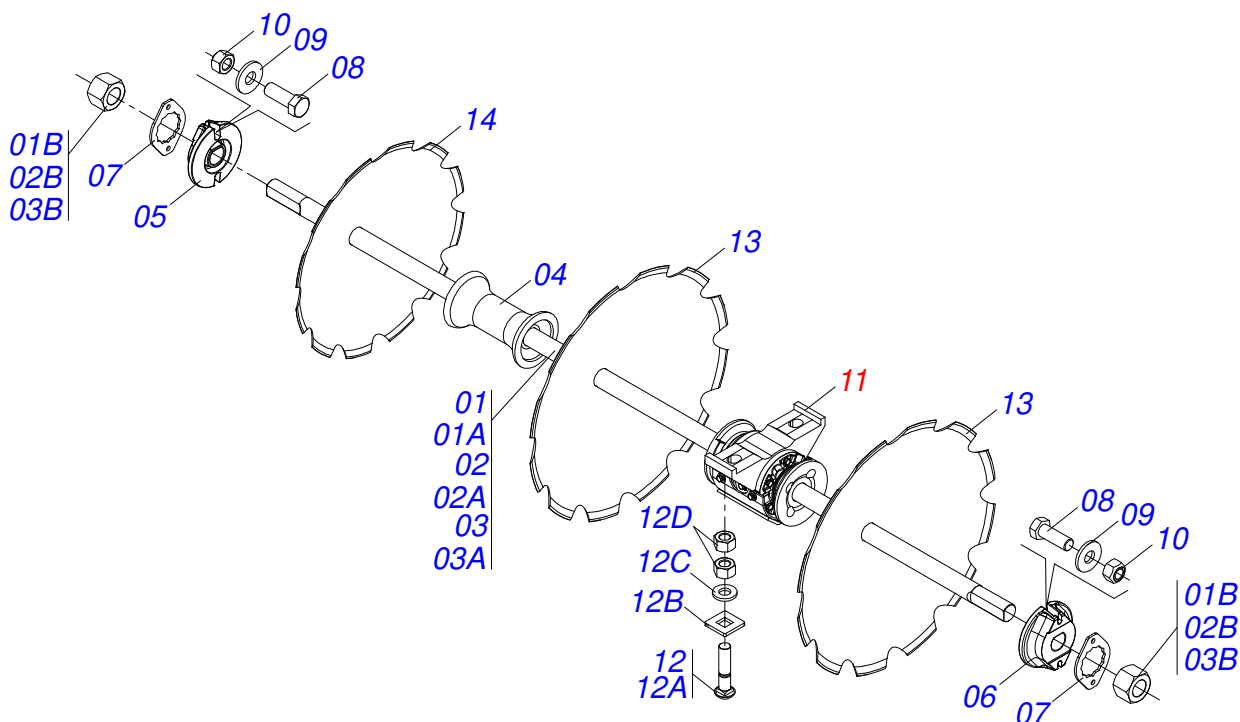
Item	Code	Description	See page	QT
01	0541016566	POINT AXIS 3.1/2 X 375		01
02	0503013314	RETAINER 5166-GB 63,5 X 110 X 13 ARCA		01
03	0503015290	3780/3720 ROLLER BEARING		01
04	0503014821	ROLLER BEARING		01
05	0503830009	1" X 0.9" CASTLE NUT		01
06	0503010018	5/32 X 1-1/2 COTTERPIN		01
07	0502020591	PROTECCION COVER		01
08	0511812492	FLAT WASHER		01
09	0503011444	SPRING WASHER		04
10	0503810358	5/16" X 7/8" UNC BOLT		04
11	0503010002	1800 GREASE FITTING		01
12	0501110738	CARRYING WHEEL HUB		01
12A	0502012260	TRANSPORT WHEEL BOX		01
12B	0501010186	WHEEL SCREW 5/8UNF X 2.1/8CR		08
12C	0503010064	5/8 UNF CONIC NUT		08



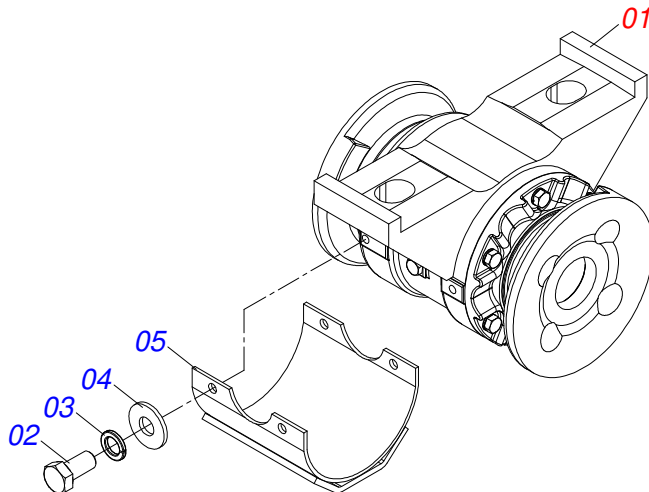
Item	Code	Description	See page	QT
01	0501069483	WHEEL		01
02	0503012112	400/60 - 15.5 TR 15 INNER TIRE		01
03	0503013119	CANVAS TIRE		01



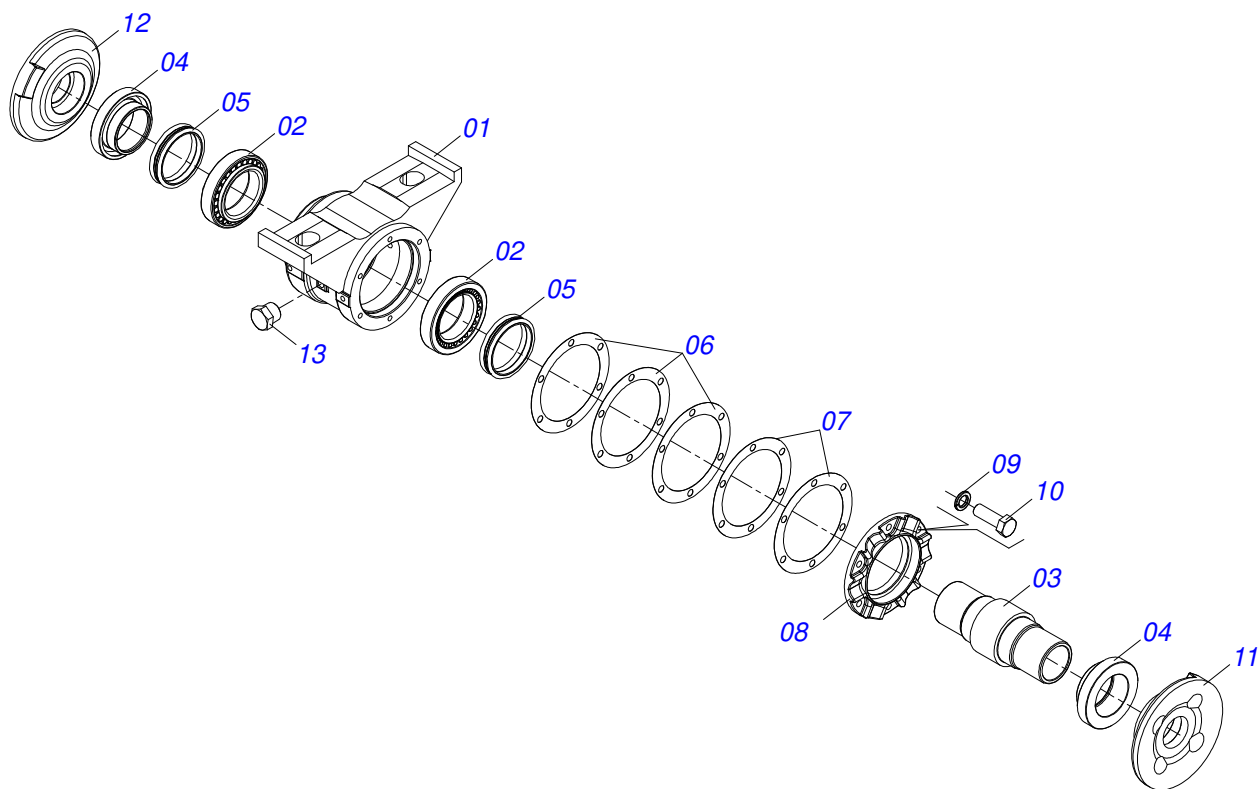
Item	Code	Description	See page	QT
01	0521061684	56,98 X 590,50 TURNBUCKLE		01
02	0521061685	114,30 X 500 CYLINDER CASE		01
03	0502012644	RING SUPPORT		01
04	0502011222	0.56" END CAP		01
05	0503010002	1800 GREASE FITTING		02
06	0503015715	SCRAPER SEALING		01
07	0503015642	U-CUP SEALING		01
08	0503015641	WEAR RING		00
09	0503011892	O' RING, 2-346 N 3006-9B		01
10	0503011893	BACK-UP RING, 8-346		01
11	0503030384	CON PLUG N-001		02
12	0503015640	SEALING SELEMASTER		01
13	0561016578	PISTON BODY		01
14	0581015283	BODY		01
15	0503819100	SCREW		01
16	0511034304	HYDRAULIC CYLINDER REPAIR KIT (0521051832)		01



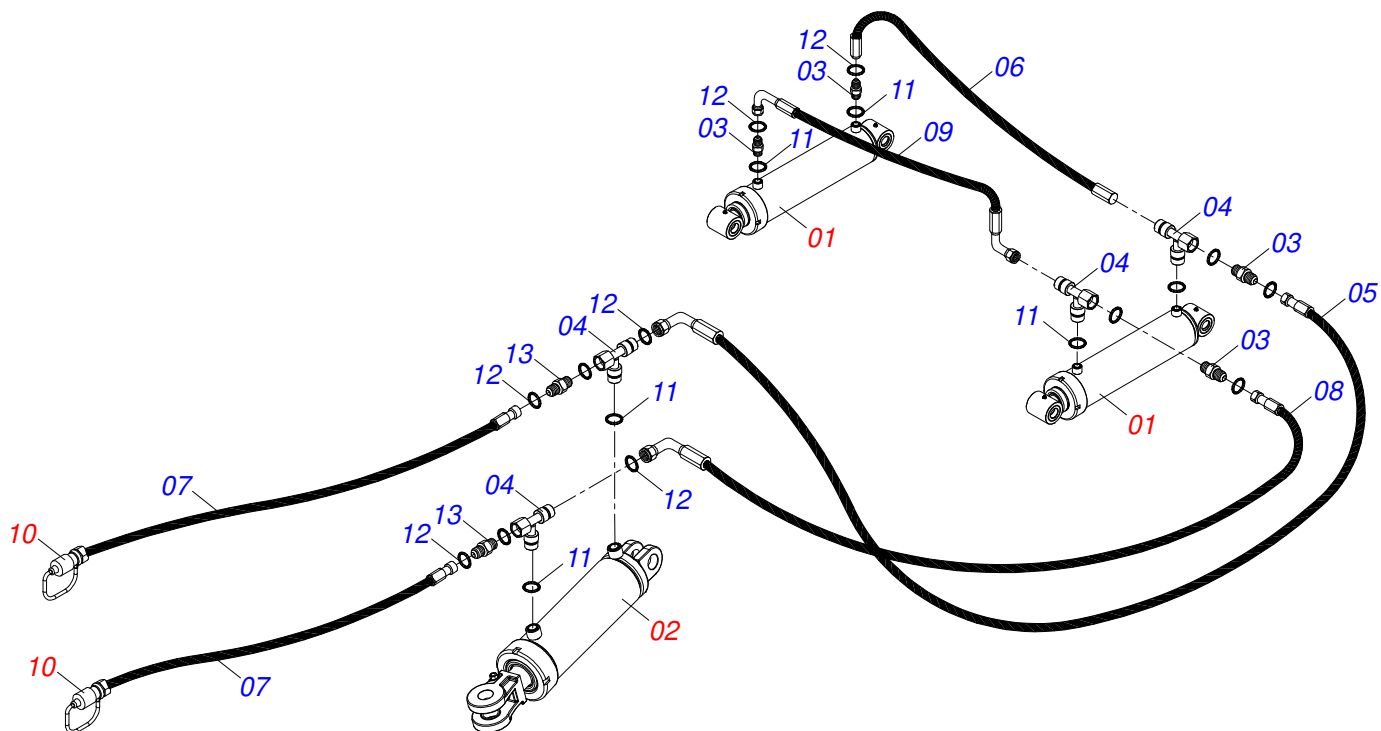
Item	Code	Description	See page	021	023	025
01	0511042484	2-1/2" X 78" AXLE WITH NUTS		001	003	003
01A	0541012129	2-1/2" X 78" AXLE		001	003	003
01B	0502040064	2.1/2" SNC X 70 99 NUT		002	006	006
02	0511042483	2-1/2" X 65" AXLE WITH NUTS		003	001	000
02A	0541012128	2-1/2" X 65" AXLE WITH NUTS		003	001	000
02B	0502040064	2.1/2" SNC X 70 99 NUT		006	002	000
03	0511042421	2-1/2" X 91.7" AXLE WITH NUTS		000	000	001
03A	0541011893	2-1/2" X 91.7" AXLE		000	000	001
03B	0502040064	2.1/2" SNC X 70 99 NUT		000	000	002
04	0502011425	13" X 2-1/2" SPACER		009	011	013
05	0502010593	2.1/2" EXTERNAL AXLE WASHER		004	004	004
06	0502010592	2.1/2" INNER AXLE WASHER		004	004	004
07	0541010368	NUT LOCK		008	008	008
08	0503010232	5/8" X 1.3/4" BOLT		016	016	016
09	0501012140	FLAT WASHER		016	016	016
10	0503012412	5/8" UNC SELF LOCKING NUT		016	016	016
11	0511042290	13" X 2-1/2" OIL BATH BEARING	11	008	008	008
12	0501041301	1.1/4" X 5.3/4" ASSY BOLT		016	016	016
12A	0501010954	1.1/4" X 5.3/4" BOLT		016	016	016
12B	0501010953	1-1/4" SQUARE WASHER		016	016	016
12C	0531010713	FLAT WASHER		016	016	016
12D	0501010087	1.1/4" NUT		032	032	032
13	0602044002	32" X 0.3" NOTCHED DISC BLADE		020	000	000
13.	0602048063	36" X 0.3" NOTCHED DISC BLADE		000	022	000
13..	0602046001	DR 34 X 9 C120AF04FR2.9/16 12R TAT/CIV		000	000	024
14	0602033922	26 X 7,5 NOTCHED DISC 10REC (D082) 10REC TATU		001	000	000
14.	0602044033	DR 32 X 9 C115AF04FR2.9/16 10R TAT/CV		000	001	000
14..	0602040072	DR30X9 C109AF04FR2.9/16 10REC NICOL		000	000	001



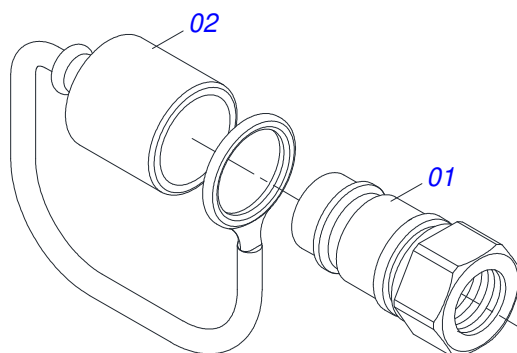
Item	Code	Description	See page	QT
01	0511045349	AGRICULTURAL BEARING	12	01
02	0503010834	1/2 X 1 BOLT		04
03	0503010019	1/2" SPRING WASHER		04
04	0511017302	FLAT WASHER 13,50 X 32,50 X 3,0 ZN		04
05	0521067034	BEARING PROTECTIVE COVER WITH REINFORCEMENT		01



Item	Code	Description	See page	QT
01	0502012218	13" 2-1/2" HOUSING BEARING		01
02	0503010482	594A/592A ROLLER BEARING		02
03	0502040204	AXLE		01
04	0502040119	SEAL RETAINER		02
05	0503030029	RETAINER LP JB-259		02
06	0503030537	8.3" X 6.3" X 0.01" JOINT		03
07	0503030687	8.3" X 6.3" X 0.004" JOINT		02
08	0502010644	HOUSING CAP DM		01
09	0503011440	SPRING WASHER		06
10	0503010920	1/2 UNC X 1.1/2 C S G.5 ZN BOLT		06
11	0502012239	BEARING OUTER FLANGE		01
12	0502012238	BEARING INNER FLANGE		01
13	0503010856	OIL PLUG		02



Item	Code	Description	See page	QT
01	0521051832	HYDRAULIC CYLINDER 53,98 X 114,30 X 654 X 346	9	02
02	0511058419	HYDRAULIC CYLINDER 50,80 X 101,60 X 514 X 206	5	01
03	0503030923	3/4" UNF X 13/16UN OFS X 40 NIPPLE		06
04	0503013637	T 1/2" MALE ADAPTER		04
05	0501081075	1/2" X 4000 TR-TC HOSE ASSY		01
06	0501081114	1/2 X 1330 TR-TR HOSE ASSY		01
07	0501080917	1/2" X 5500 TR-TM HOSE ASSY		02
08	0501081935	1/2 X 4700 TR-TC TERM OFS HOSE		01
09	0501081620	1/2" X 1700 TC-TC HOSE		01
10	0501053834	MALE QUICK COUPLER	14	02
11	0503010190	2-114 N 3006-9B O'RING		06
12	0503011030	2-014 N 3006-9B O'RING		14
13	0503032031	3/4" UNF REDUCTION NIPPLE		02



Item	Code	Description	See page	QT
01	0503011627	MALE QUICK COUPLER AGR 1/2 NPT		01
02	0503011882	MALE QUICK COUPLER CAP		01



MARCHESAN

Technical Publications | Elaboration and Revision

ALESSANDRA PATRICIA KAWAHARA CARRILI

www.marchesan.com.br

